

NUVOLA 90

Version

FDNUVMTR600 - Motor 600
CFM

Collection

Design+

EAN code

8034122362342

FEATURES

Perimeter suction
Electronic control
LED lighting
Metallic grease filter, removable and washable
Remote control included
Motor sold separately
SRS Speed reduction system

Recommended mounting maximum distance from cooking surface to hood bottom: 150cm (59")

OPTIONAL ACCESSORIES

FDNUVMTR600

FDNUVMTR600 - Motor 600
CFM

KACL.396

Ø200 - Flange

KACL.398

Ø150 - Flange

KACL.928

Filters spare

KACL.931

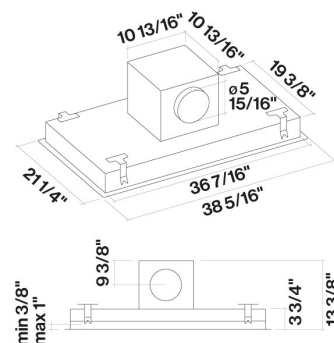
Filters Carbon.Zeo - Spare

KACL.939#BF

Ceiling re-circulation filtering kit (only for Slim Motor)

KACL.953#BF

Carbon.Zeo vertical outlet ceiling filter unit kit



TECHNICAL FEATURES

Installation type

Ceiling

Dimensions

36 / 90 cm

Finish

Painted white steel

Motor

600 CFM

Type of control

Electronic control

Speed settings

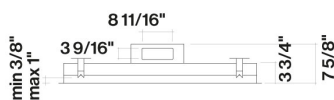
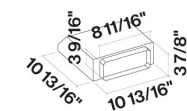
4

Lighting

Led

Filter

3 x Metallic filter "Base" - 290x267 mm



Photograph is for information purposes only
May not correspond to the selected version

PACKAGING:WEIGHTS AND VOLUMES

NUVOLA 90 Gross weight

58 lbs

Net weight

52 lbs

Volumes

5 ft³

Packaging size

Length

45 in

Height

8 in

Depth

27 in

REMOTE MOTOR

FDNUVMTR600 - Motor 600

CFM Gross weight

23 lbs

Net weight

20 lbs

Volumes

3 ft³

Packaging size

Length

18 in

Height

14 in

Depth

16 in

CONSUMPTION AND CONNECTION FEATURES

Maximum consumption

450 W

Plug type

Hood comes standard with Nema 5-15P power cord

ENERGY CLASS

0