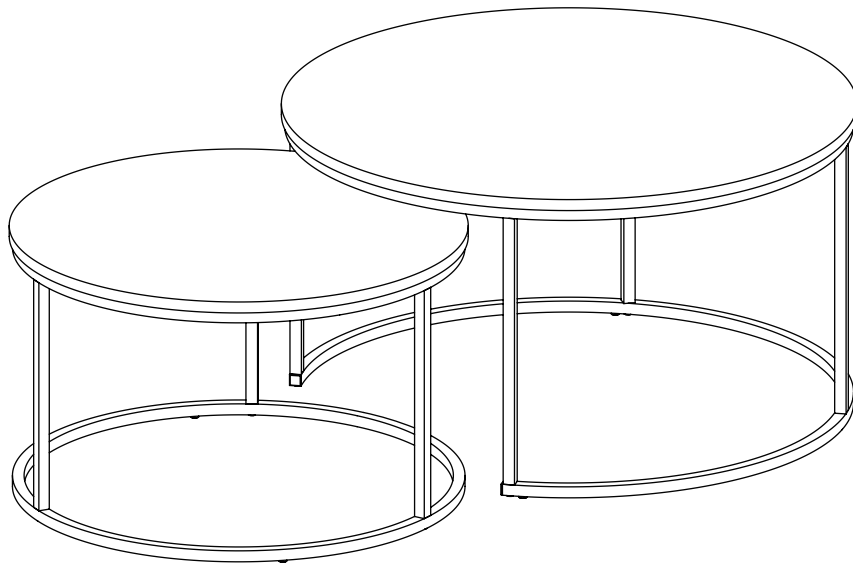


**ASSEMBLY INSTRUCTIONS**  
**COASTER FINE FURNITURE**



*Fine Furniture for every stage of life*

**736028**  
**2PC NESTING COFFEE TABLE**

# ITEM: 736028



## ASSEMBLY INSTRUCTIONS

### ASSEMBLY TIPS:

1. Remove hardware from box and sort by size.
2. Please check to see that all hardware and parts are present prior to start of assembly.
3. Please follow attached instructions in the same sequence as numbered to assure fast & easy assembly.

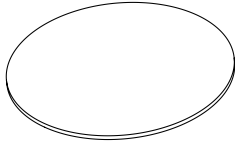
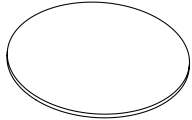
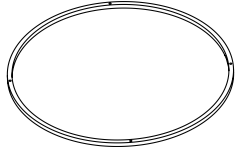
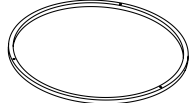
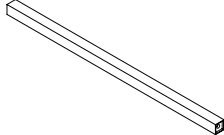
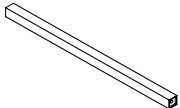
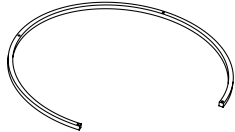
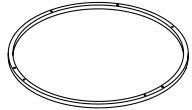


### WARNING!



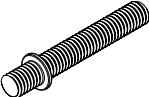

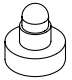
1. Don't attempt to repair or modify parts that are broken or defective. Please contact the store immediately.
2. This product is for home use only and not intended for commercial establishments.

**ASSEMBLY TIME**    **50 MINUTES**

## PARTS IDENTIFICATION

<p><b>A</b>    <b>LARGE TABLE TOP</b></p>  <p>1 PC</p>	<p><b>E</b>    <b>SMALL TABLE TOP</b></p>  <p>1 PC</p>
<p><b>B</b>    <b>LARGE TABLE TOP FRAME</b></p>  <p>1 PC</p>	<p><b>F</b>    <b>SMALL TABLE TOP FRAME</b></p>  <p>1 PC</p>
<p><b>C</b>    <b>LARGE TABLE LEG</b></p>  <p>4 PCS</p>	<p><b>G</b>    <b>SMALL TABLE LEG</b></p>  <p>3 PCS</p>
<p><b>D</b>    <b>LARGE TABLE BOTTOM FRAME</b></p>  <p>1 PC</p>	<p><b>H</b>    <b>SMALL TABLE BOTTOM FRAME</b></p>  <p>1 PC</p>

## HARDWARE IDENTIFICATION

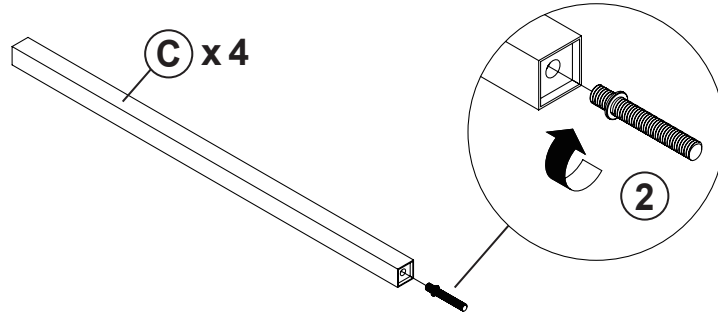
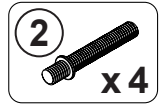
Z							
NO	DESCRIPTION	FIGURE	Q'TY	NO	DESCRIPTION	FIGURE	Q'TY
1	<b>BOLT</b> M6x43mm BLK		7 PCS	4	<b>ALLEN WRENCH</b> 4mm SR		1 PC
2	<b>BOLT</b> M6x42mm SR		7 PCS	5	<b>FLOOR PROTECTOR</b> 18x18mm		2 PCS
3	<b>PLASTIC FEET</b>		8 PCS				

### NOTE:

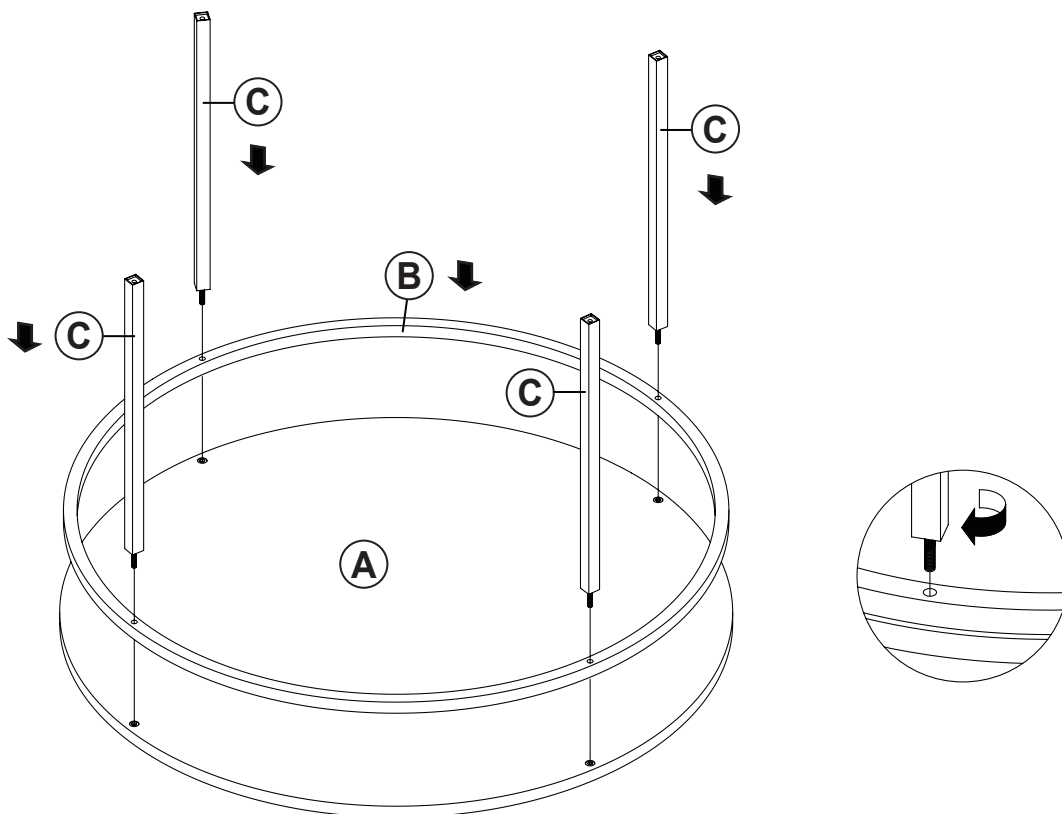
Phillips head screw driver is required in the assembly process; however, manufacturer does not provide this item.

ITEM: 736028

**STEP 1**

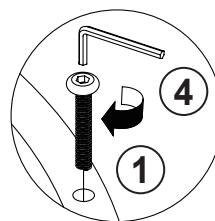
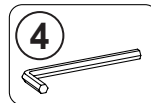
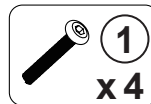
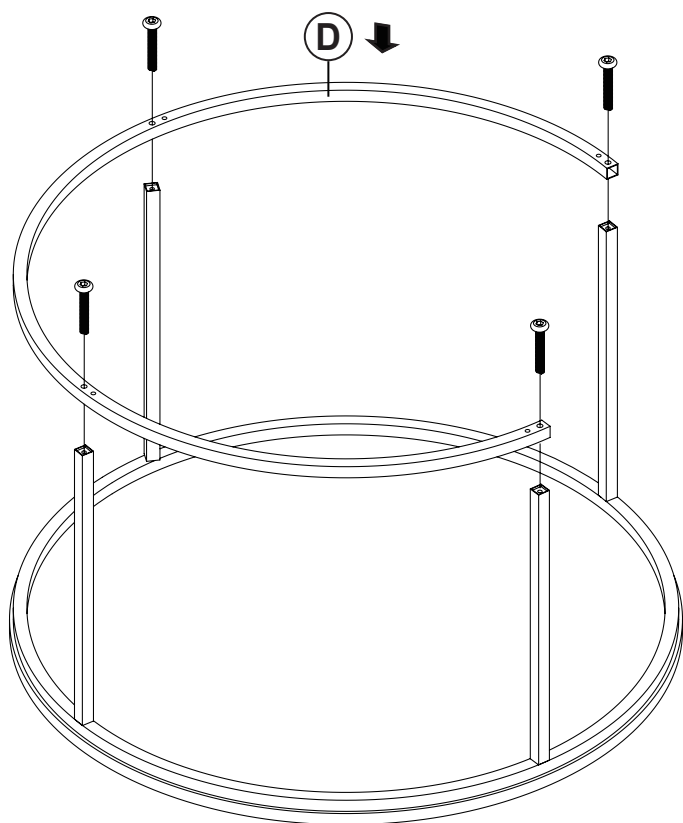


**STEP 2**

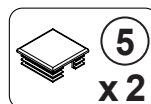
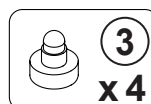
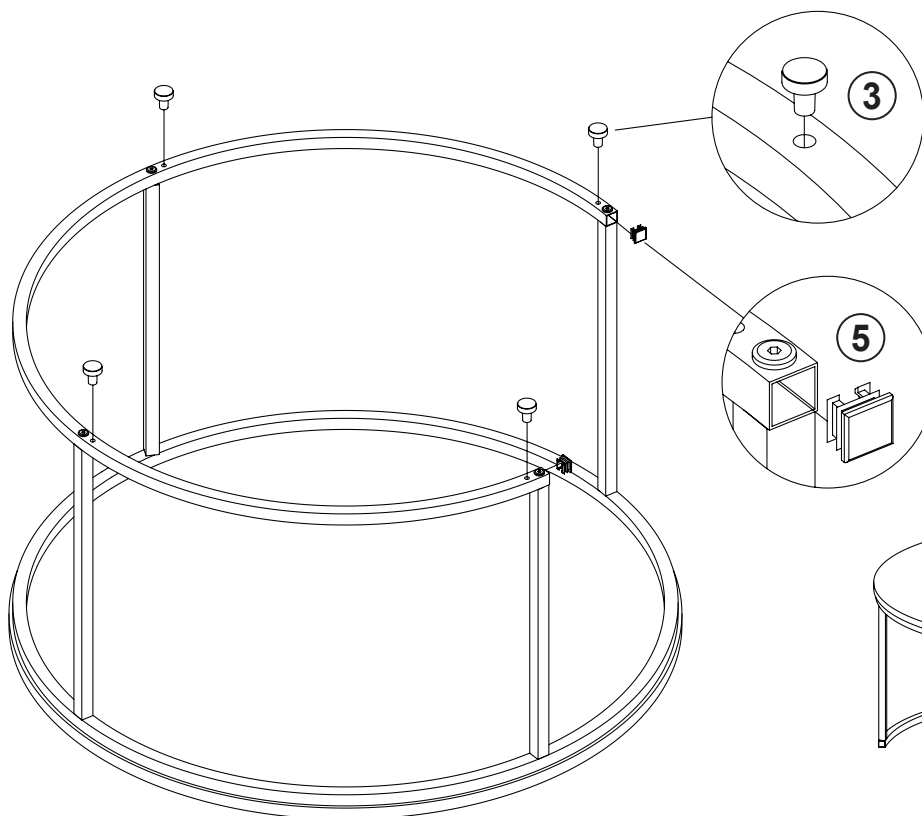


ITEM: 736028

**STEP 3**

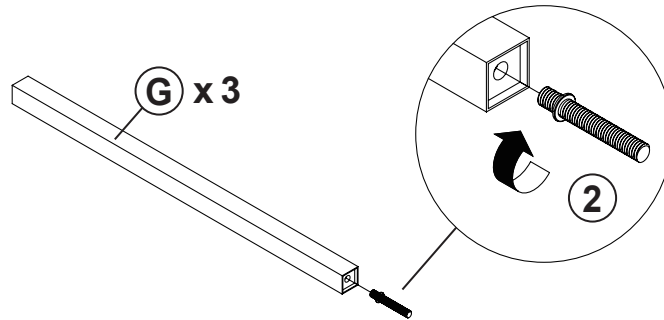
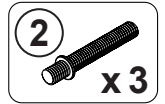


**STEP 4**



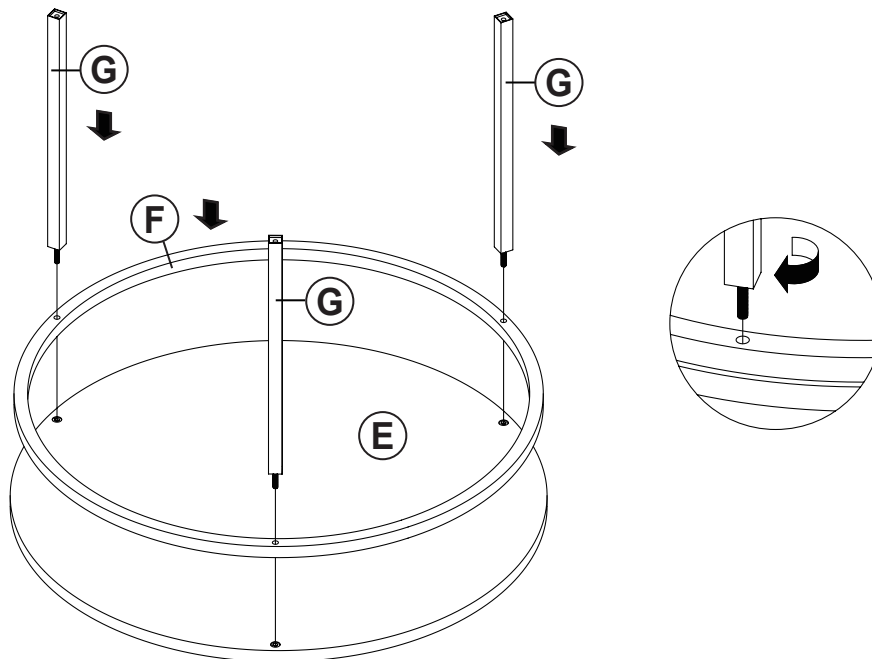
ITEM: 736028

**STEP 5**



---

**STEP 6**

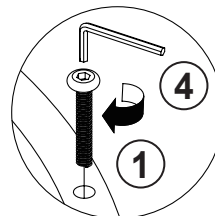
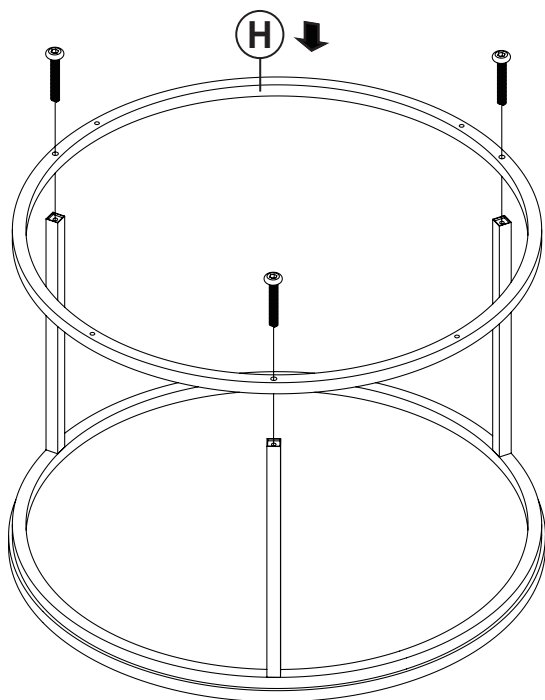
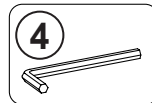
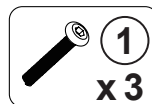


ITEM: 736028

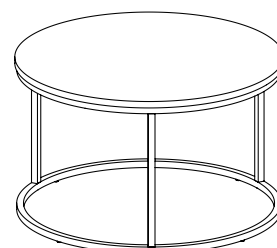
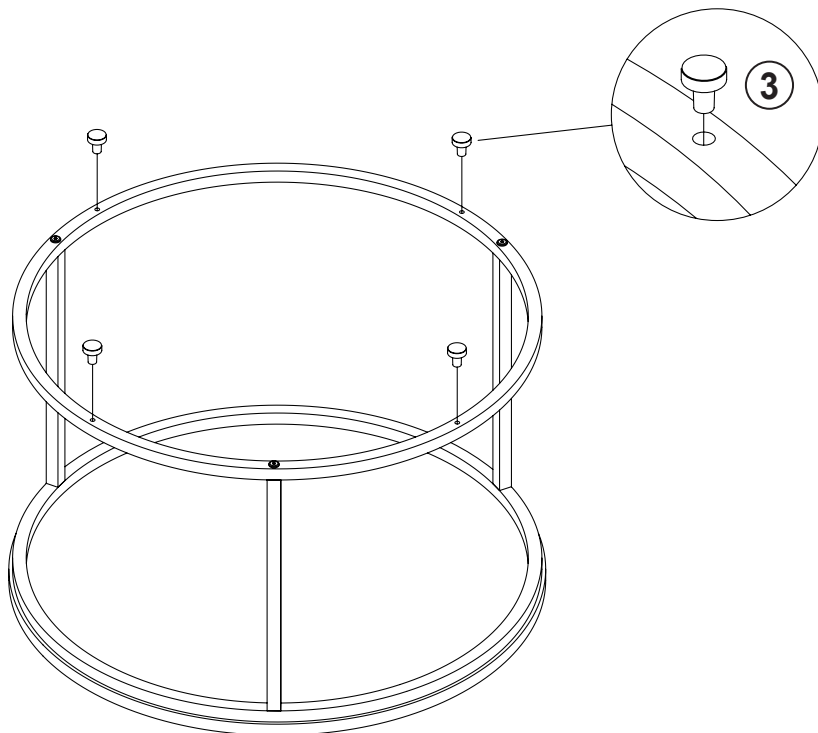
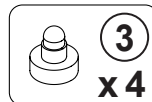
**STEP 7**

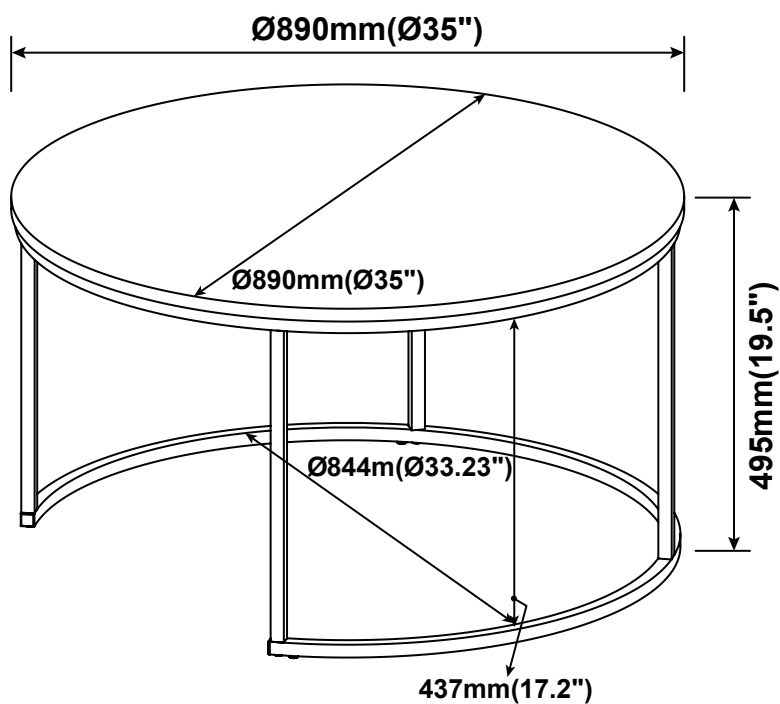
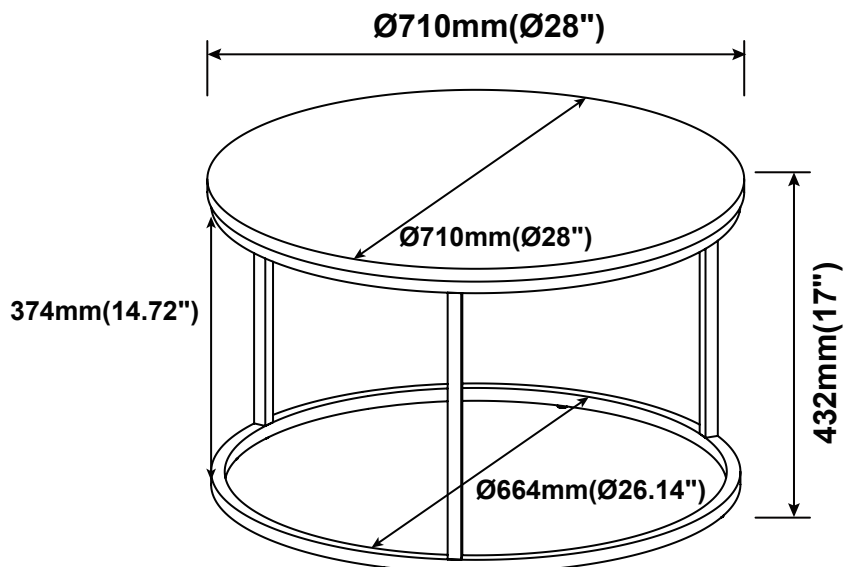
**COASTER**<sup>®</sup>

FINE FURNITURE



**STEP 8**





Note : Dimension tolerance  $\pm 5\%$