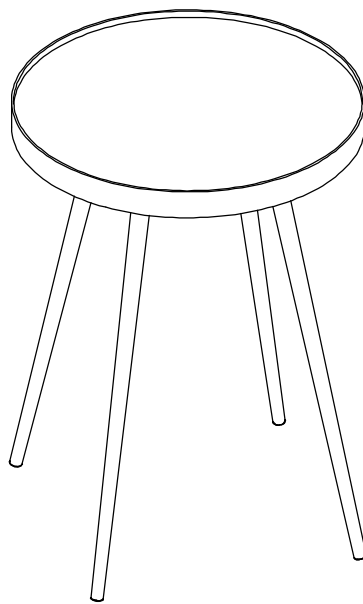


ASSEMBLY INSTRUCTIONS
COASTER FINE FURNITURE



Fine Furniture for every stage of life

723917
END TABLE

REVISION 0 : 03/04/2021
REVISION 1 : 09/23/2021

ITEM:723917



ASSEMBLY INSTRUCTIONS

ASSEMBLY TIPS:

1. Remove hardware from box and sort by size.
2. Please check to see that all hardware and parts are present prior to start of assembly.
3. Please follow attached instructions in the same sequence as numbered to assure fast & easy assembly.



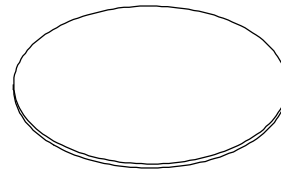
WARNING!

1. Don't attempt to repair or modify parts that are broken or defective. Please contact the store immediately.
2. This product is for home use only and not intended for commercial establishments.

ASSEMBLY TIME 25 MINUTES

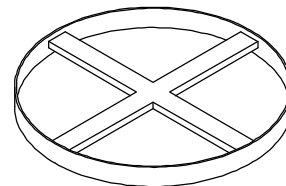
PARTS IDENTIFICATION

AN MIRROR



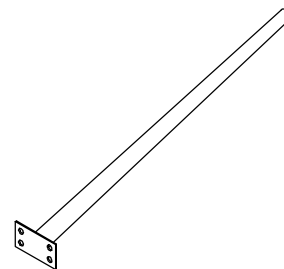
1PC

B TOP FRAME



1PC

C LEG



4PCS

ZN

HARDWARE IDENTIFICATION

1 CAM LOCK
(1/4" x 12mm)



16PCS

3 SUCTION CUP



4PCS

2 CAP
(ø12mm BLK)



4PCS

4 ALLEN WRENCH
(4mm)



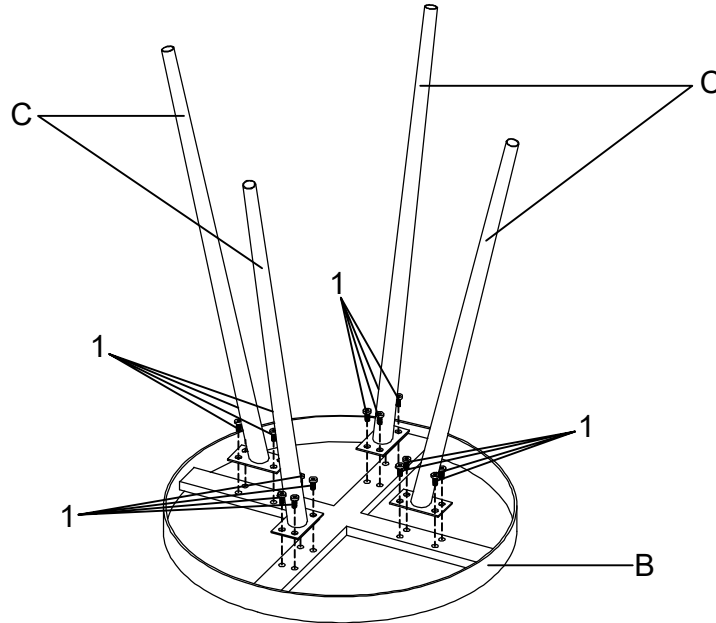
1PC

ITEM:723917

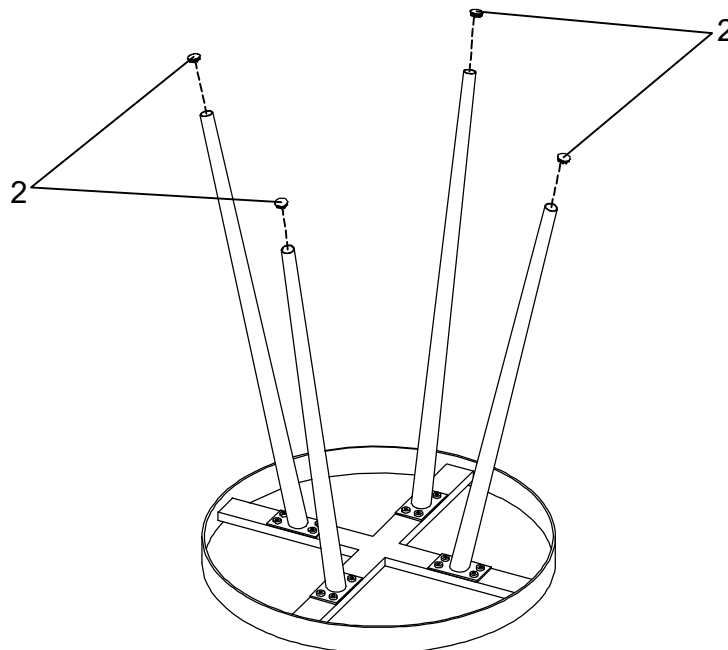


ASSEMBLY INSTRUCTIONS

STEP 1 Do not tighten until each step is completed or instructed.



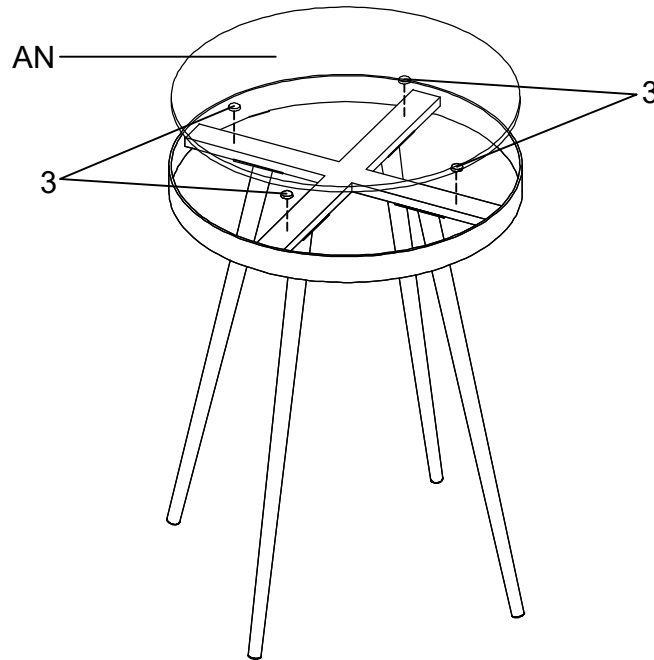
STEP 2



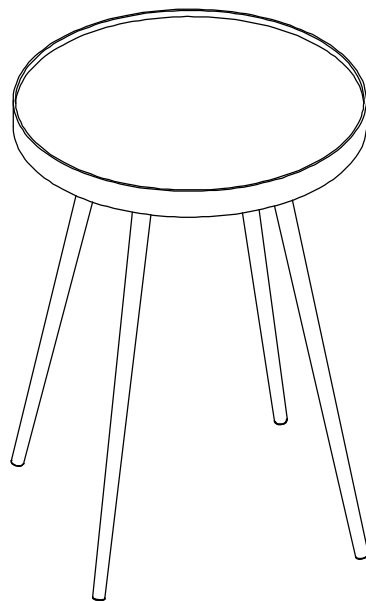
ITEM:723917

ASSEMBLY INSTRUCTIONS

STEP 3



STEP 4 COMPLETE

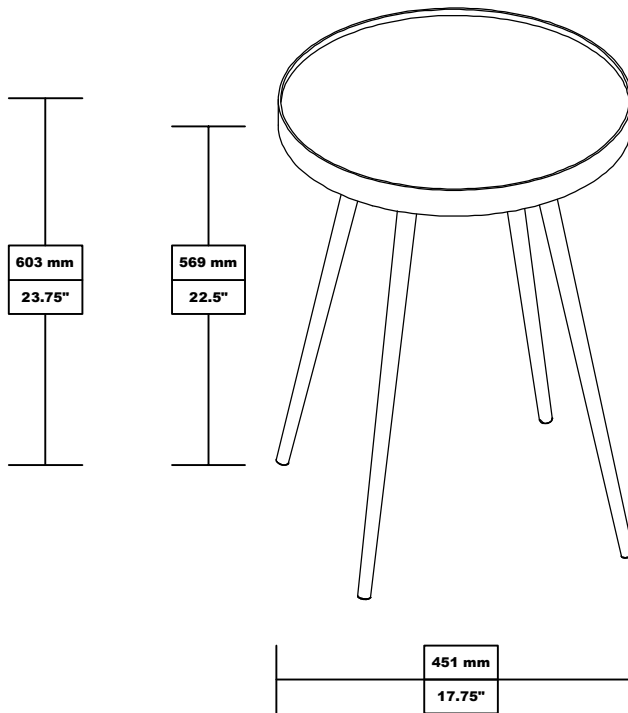


ITEM:723917

ASSEMBLY INSTRUCTIONS



Product Size : 451 DIA X 603 H (MM)
Product Size : 17.75" DIA X 23.75"



Note : Dimension tolerance $\pm 5\%$