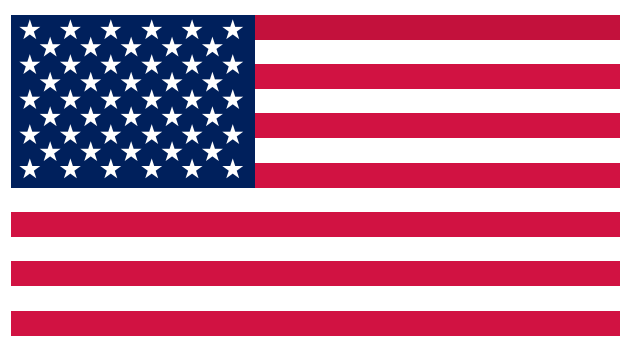


KICKER®

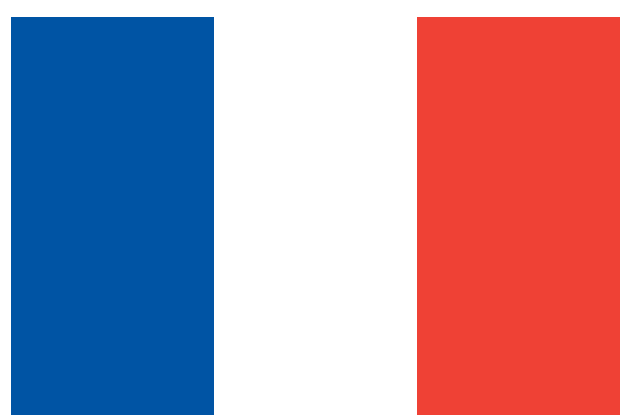
Owner's Manual
Manual del Propietario
Manuel d'utilisatio
Benutzerhandbuch

KSS269 Components
Altavoz Componentes KS
KS Komponenten-System
Haut-parleurs Composants KS

select language



*seleccione
el idioma*



*choisir la
langue*



*sprache
auswählen*

Contents

Overview	3
Specifications	4
Installation	5
Crossover & Wiring Configuration	5
Crossover Mounting	7
Speaker Mounting	8
Midrange/Tweeter Mounting	11
Warranty	12
Int. Warranty	44

Overview

IMPORTANT SAFETY WARNING

PROLONGED CONTINUOUS OPERATION OF AN AMPLIFIER, SPEAKER, OR SUBWOOFER IN A DISTORTED, CLIPPED OR OVER-POWERED MANNER CAN CAUSE YOUR AUDIO SYSTEM TO OVERHEAT, POSSIBLY CATCHING FIRE AND RESULTING IN SERIOUS DAMAGE TO YOUR COMPONENTS AND/OR VEHICLE. AMPLIFIERS REQUIRE UP TO 4 INCHES (10CM) OPEN VENTILATION. SUBWOOFERS SHOULD BE MOUNTED WITH AT LEAST 1 INCH (2.5CM) CLEARANCE BETWEEN THE FRONT OF THE SPEAKER AND ANY SURFACE. KICKER PRODUCTS ARE CAPABLE OF PRODUCING SOUND LEVELS THAT CAN PERMANENTLY DAMAGE YOUR HEARING! TURNING UP A SYSTEM TO A LEVEL THAT HAS AUDIBLE DISTORTION IS MORE DAMAGING TO YOUR EARS THAN LISTENING TO AN UNDISTORTED SYSTEM AT THE SAME VOLUME LEVEL. THE THRESHOLD OF PAIN IS ALWAYS AN INDICATOR THAT THE SOUND LEVEL IS TOO LOUD AND MAY PERMANENTLY DAMAGE YOUR HEARING. PLEASE USE COMMON SENSE WHEN CONTROLLING VOLUME.

The KICKER KS speakers offer an excellent upgrade to your vehicle's factory sound system, delivering great full-range sound at an amazing value! Whether dropping the KS speakers in a factory location or customizing your install, their high-efficiency design means less power is needed to play your music, while our use of advanced materials and construction techniques ensures optimal performance for years to come. Designed for versatile applications without sacrificing sound quality or aesthetics, we hope you have the chance to combine these new, upgraded audiophile components with our all-new KEY Smart Amplifiers and a KICKER sub for an audio experience you won't forget!

Specifications

KS Component Speakers	KSS269
Woofer [in, mm]	6x9, 160x230
Midrange/Tweeter [in, mm]	2.75, 70
Rated Impedance [Ω]	4
Peak Power Handling [Watts]	200
Recommended Amplifier Power [Watts RMS]	15-100
Sensitivity [1W, 1m]	92
Frequency Response [Hz]	30-20k
Midrange/Tweeter Magnet Material	Ferite
Midrange/Tweeter Cone Material	Composite Paper (Treated Paper)
Midrange/Tweeter Surround Material	UV Treated Cloth
Woofer Cone Material	Polypropylene
Woofer Surround Material	Santoprene
Woofer Mounting Hole Diameter [in, mm]	5-11/16x8-7/16
Woofer Top Mount Depth [in, mm]	2-15/16, 75
Woofer Bottom Mount Depth [in, mm]	3-3/16, 81
Midrange/Tweeter Mounting Hole Diameter [in, mm]	2-3/8, 61
Midrange/Tweeter Top Mount Depth [in, mm]	1-1/4, 32
Midrange/Tweeter Bottom Mount Depth [in, mm]	1-3/8, 35

Note: All specifications and performance figures are subject to change. Please visit **www.kicker.com** for the most current information. To get the best performance from your new KICKER speakers, we recommend using genuine KICKER accessories and wiring. Please allow two weeks of break-in time for the speakers to reach optimum performance.

Installation

Crossover & Wiring Configuration

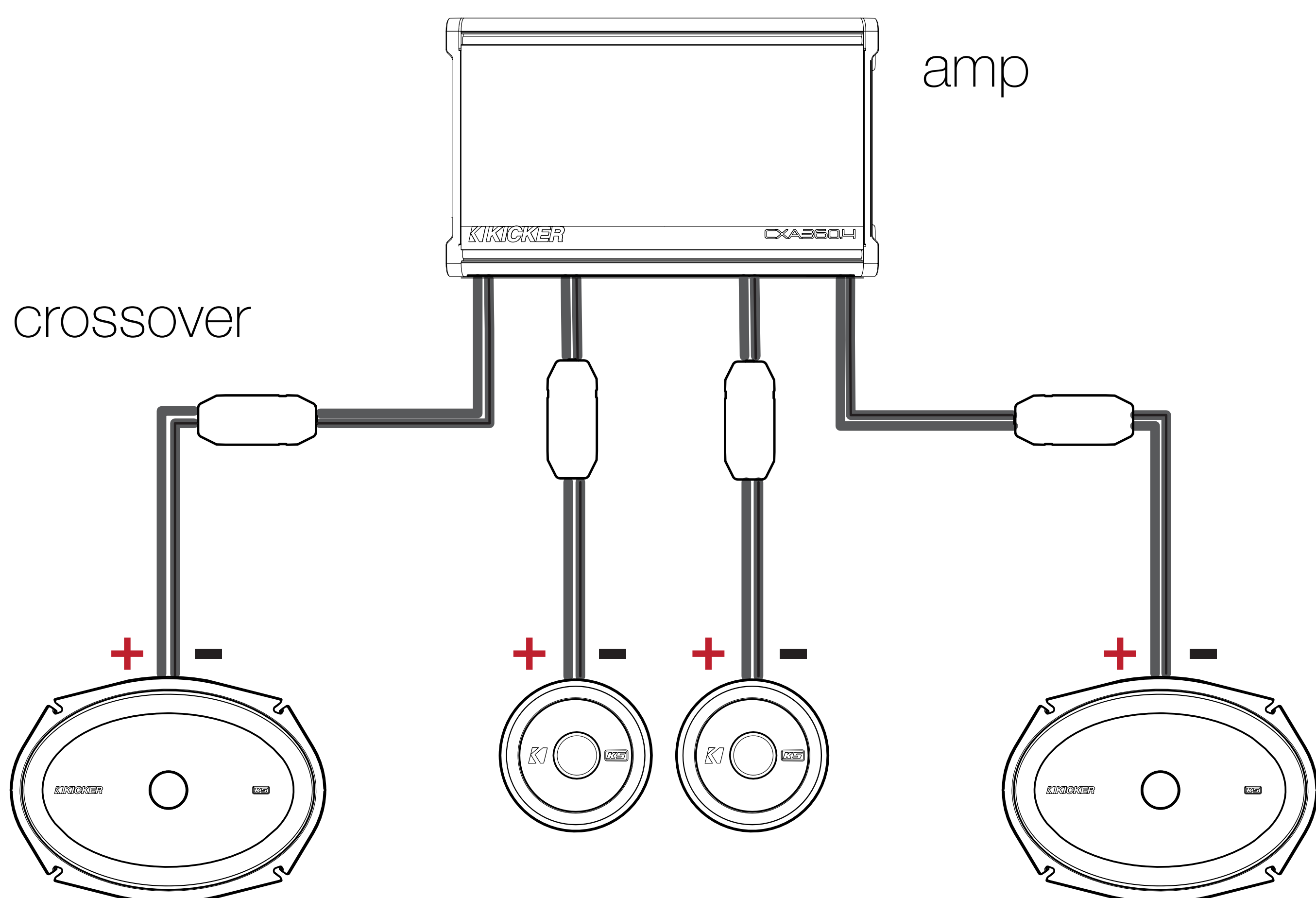
We recommend using 16 gauge (or larger) wire. The KS Speakers are rated at 4 ohms and work with any source unit or amplifier designed to operate at a 4 ohm load. **Make sure your source unit or amplifier is rated for 4 ohm operation.**

Connect the crossover terminals and receptacles to their respective mated connector and wire color. Slide the clear cover over the terminals to prevent a short circuit. Connect the crossover input to the outputs of the head unit or amplifier using the supplied butt connectors. The positive lead has gray insulation and is labeled with a plus symbol. The negative lead has gray insulation with a black stripe.

Crossover Wiring

One component set per channel

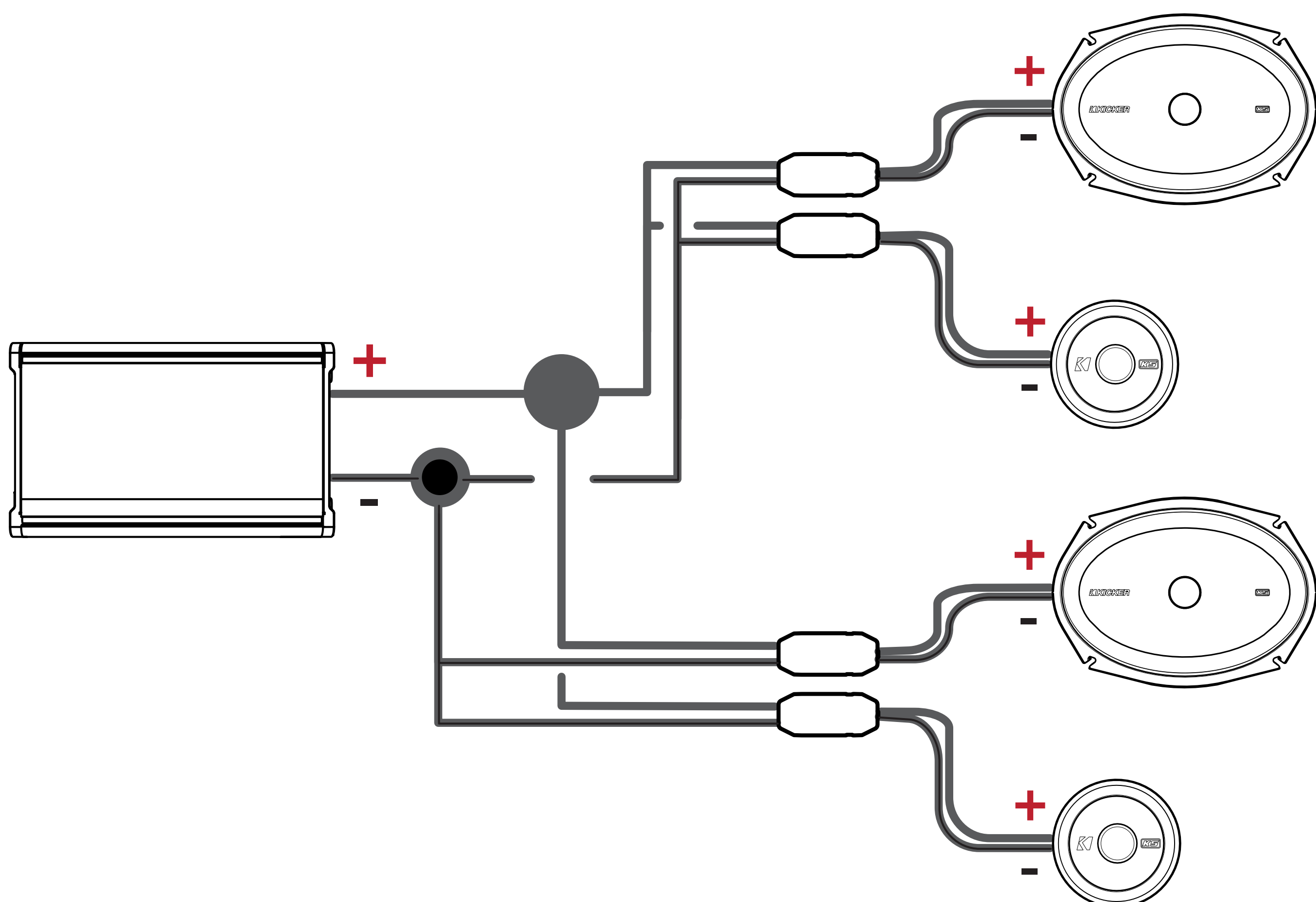
At least two amplifier channels are needed for stereo operation



Crossover Wiring

Two component sets per channel

At least two amplifier channels are needed for stereo operation (only one channel is shown)

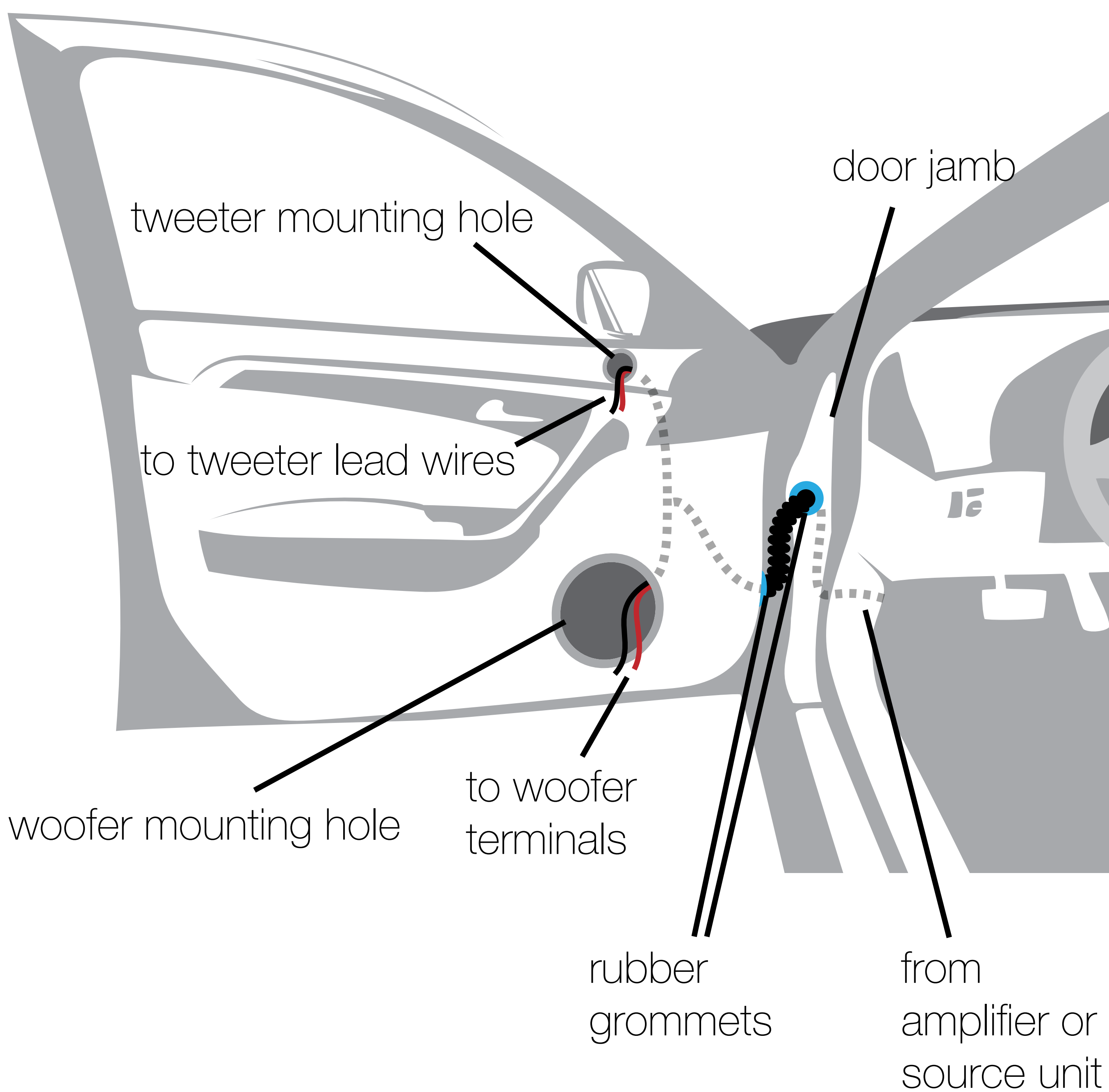


Requires two complete KSS systems
(four woofers, four tweeters, four crossovers)

Pro Tip: You're a KICKER KX amplifier and a few cables away from a full system upgrade that will dominate any factory system! KICKER line of amplifiers make it easy to upgrade to solid bass with your existing or stock source unit. Also, ask your dealer about KICKER Subwoofer upgrades.

Crossover Mounting

Mount the crossover in a location that is easy to access for wiring. Make sure that the crossover will not be exposed to water. The bottom of the car door is not a good location. If you must mount the crossover in the car door, exercise caution as water can accumulate in the bottom of the door. Keep the crossover high in the door and shielded from water.



If factory speaker wiring is not available in your desired location, it may be necessary to run speaker wire through the door jamb. The speaker wire should be kept away from sharp edges and avoid the possibility of getting pinched by the door. An existing grommet in the door jamb is the ideal place to run the speaker wire. If the factory hole and grommet do not exist or are inaccessible, you must drill a hole to run the

speaker wire through the door jamb. Be careful not to drill into other wiring or existing door mechanisms. Any time a wire is run through a hole, it is necessary to insert a rubber or plastic grommet to protect the wire from damage.

Speaker Mounting

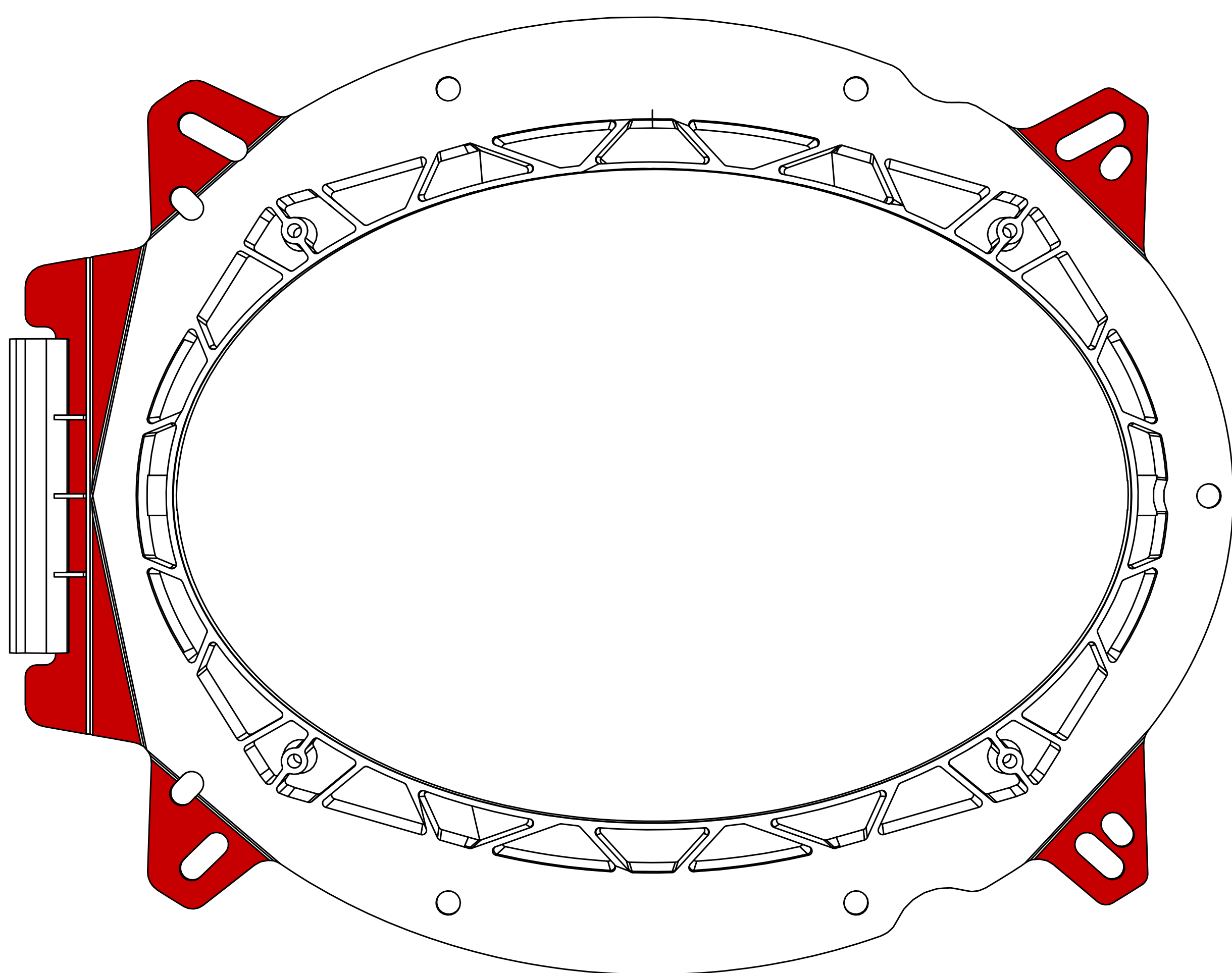
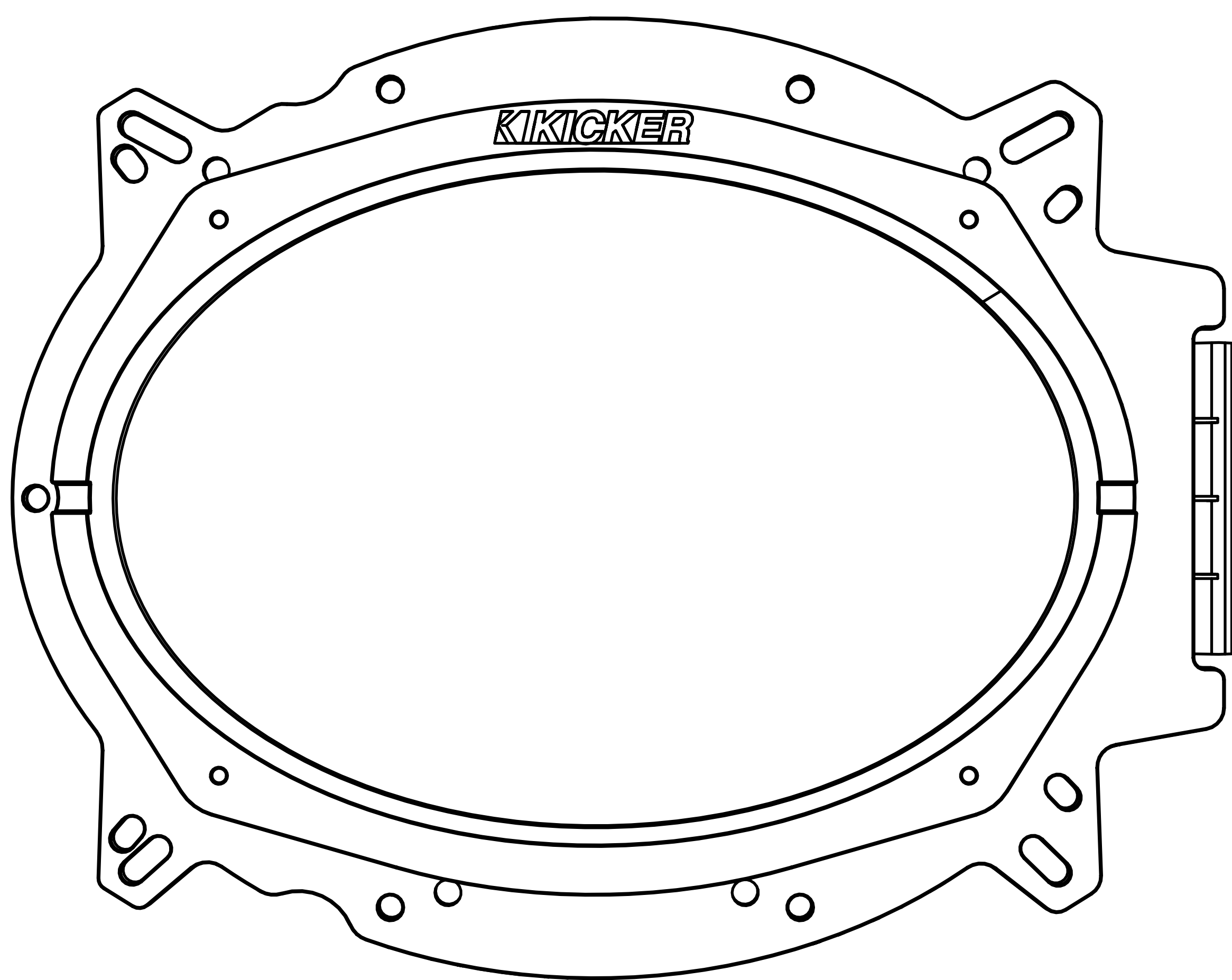
The KICKER KS Speakers are designed for free-air applications and do not require a sealed enclosure for optimum performance. It is important to isolate the sound coming from the front of the speaker from the sound radiating from the back of the speaker. This is most easily accomplished by mounting the speakers in a vehicle's factory locations or in a location with a semi-isolated rear chamber (like the rear deck of a car behind the rear seats).

If you are replacing factory speakers in their original locations, you may need to use the included multi-purpose adapter, or modify it as such that it will fit your required screw patterns. You may also need to enlarge the speaker cut-outs and pre-drill new screw holes using a 7/64" (2.5mm) bit. Custom mounting locations will require more preparation and work. Make sure that the speaker will not interfere with trunk and door opening and closing mechanisms and that the enclosed screws will not puncture the fuel tank, puncture wiring, or interfere with any other mechanical parts on the underside of the mounting surface. Cycle the windows all the way down and up.

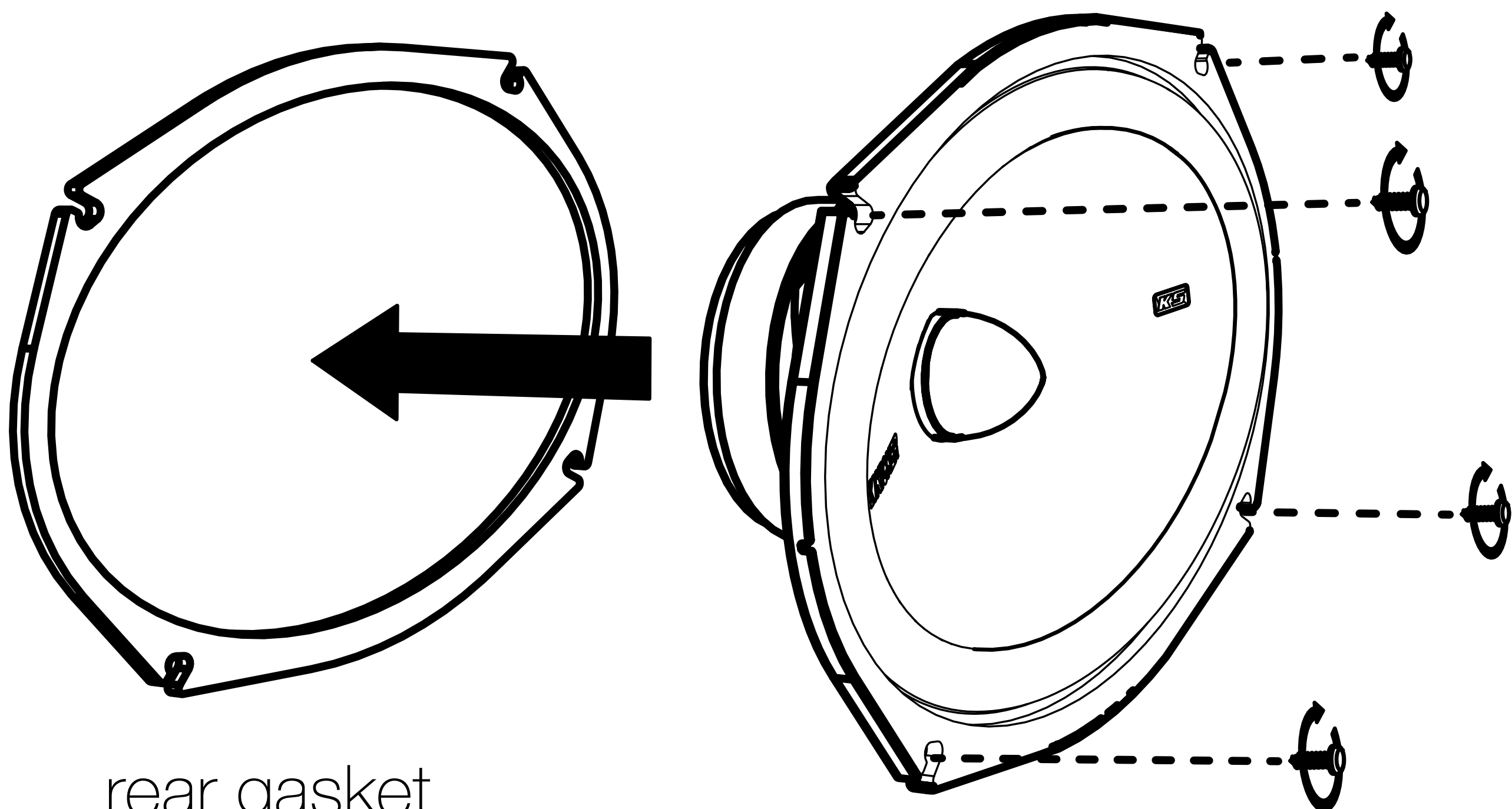
If the speaker cut-out locations require you to cut metal, avoid structural metal and braces. If the door body and panel cannot support the weight of the speaker, an optional reinforcing ring (thin piece of wood or Medium Density Fiberboard) may be fastened or adhered to the door body.

The multi-bracket adapter will help accommodate the KSS speakers in factory or custom locations. You may need to cut off parts or otherwise modify the adapter to fit your vehicle or application. Trimable parts are best seen from the reverse side (highlighted below). For some applications, the adapter clips to the mounting panel on one side. It may be necessary to use the foam damper to tighten the fitment of the clip-on side of the adapter.

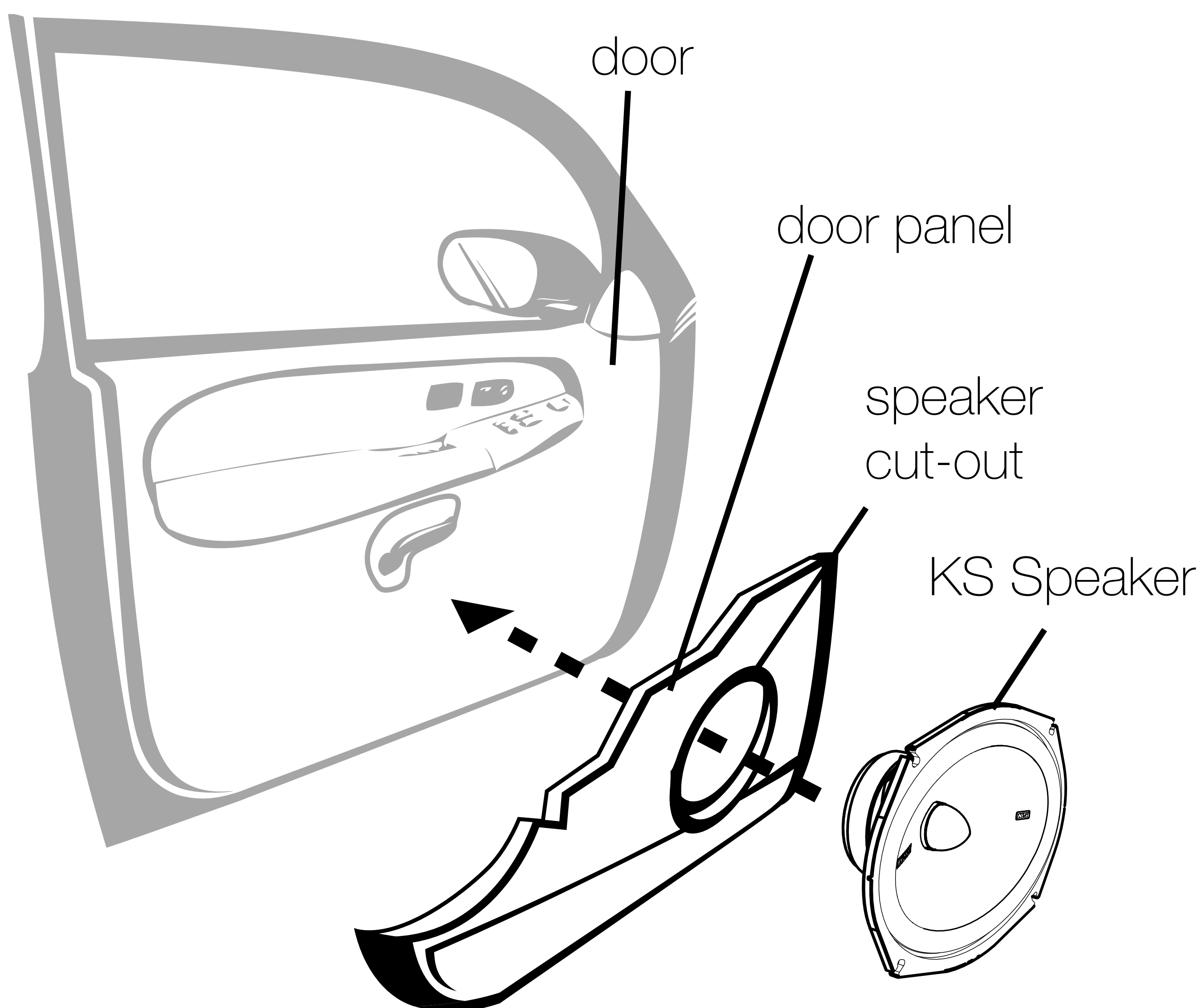
KS69 ADAPTER



Secure speaker to desired location



rear gasket
(optional)



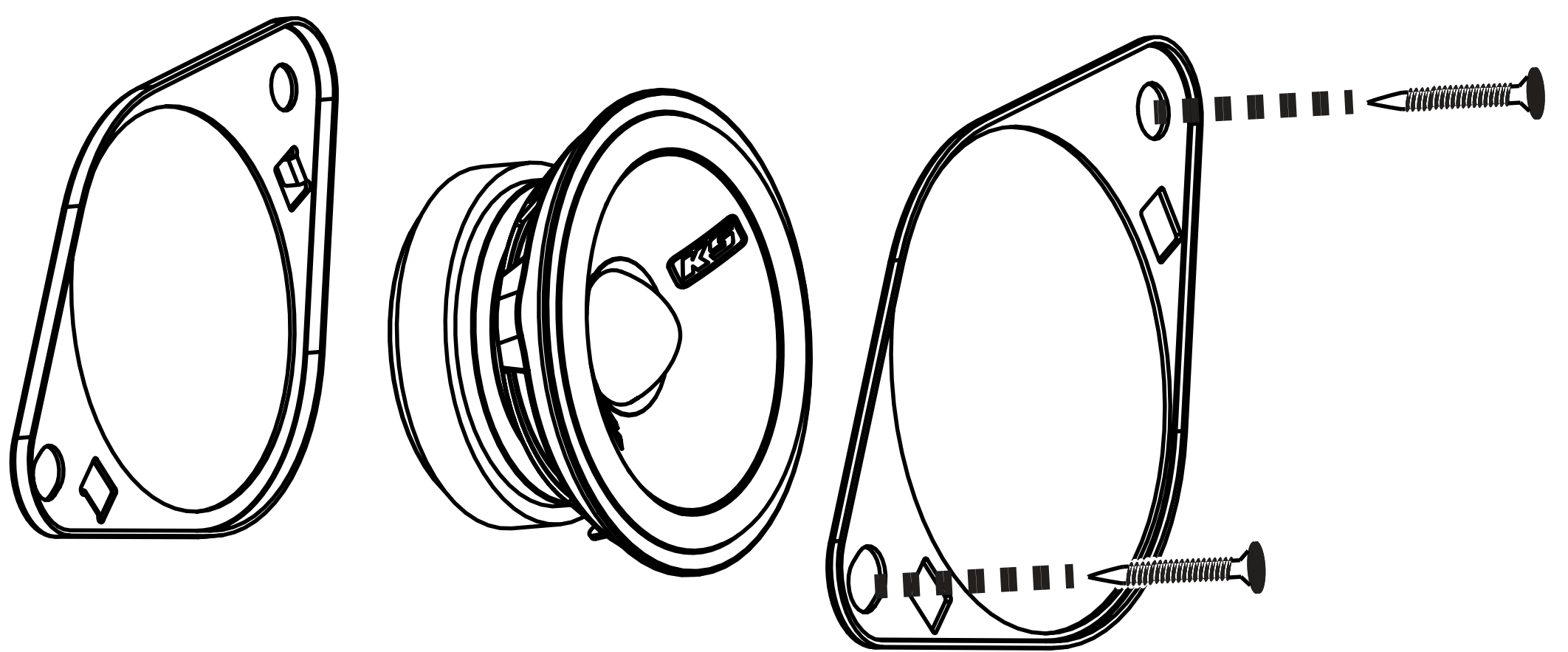
Midrange/Tweeter Mounting

The midrange/tweeter is flush-mounted and may be installed using one of the included adapter assemblies: Toyota/Subaru, Chrysler/Jeep, GM/Mopar. Choose a flat location on the panel with space behind the panel to allow room for the motor structure, and tweeter. After checking the clearances, cut a 1-3/4" (44mm) diameter mounting hole in the panel. If using an adapter, place the adapter flange against the surface. Feed the wire through the adapter flange and the hole in the panel. Secure the driver by screwing the supplied screws through the adapter retainer, tweeter, and adapter flange.

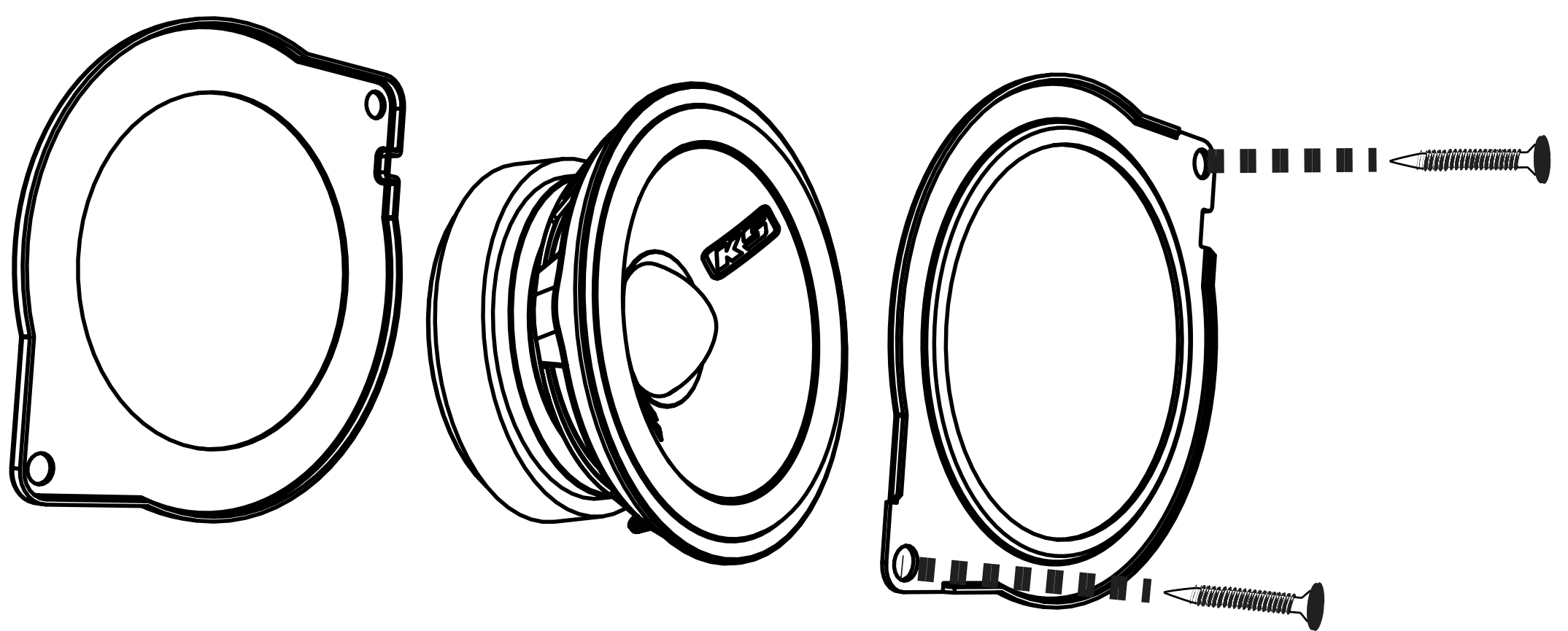
flange

retainer

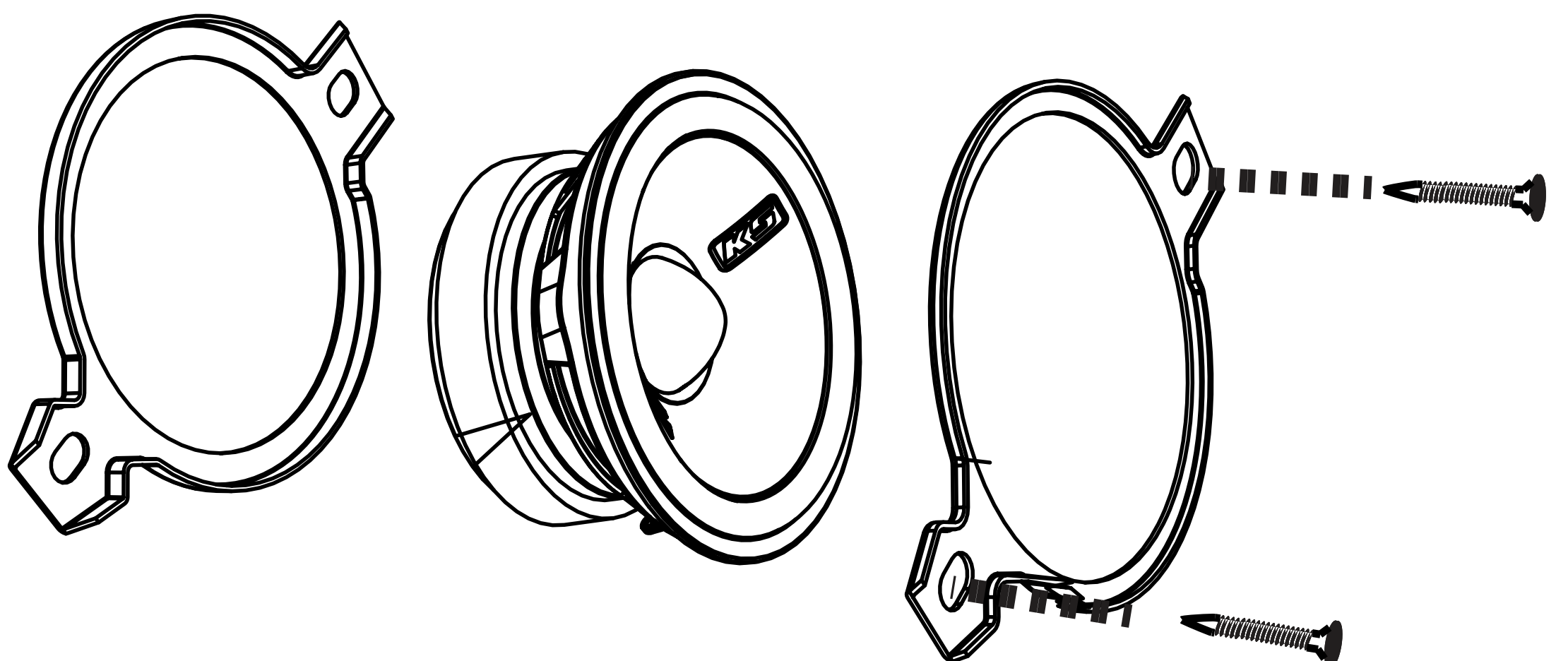
Toyota/Subaru



Chrysler/Jeep



GM/Mopar



Warranty

When purchased from an Authorized KICKER Dealer, KICKER warrants this product to be free from defects in material and workmanship under normal use for a period of TWO (2) YEARS from date of original purchase with receipt. If this product is identified as “Refurbished” or “B Goods”, the warranty is limited to a period of THREE (3) MONTHS from the date of original purchase. In all cases you must have the original receipt. Should service be necessary under this warranty for any reason due to manufacturing defect or malfunction during the warranty period, KICKER will repair or replace (at its discretion) the defective merchandise with equivalent merchandise. Warranty replacements may have cosmetic scratches and blemishes. Discontinued products may be replaced with more current equivalent products. This warranty is valid only for the original purchaser and is not extended to owners of the product subsequent to the original purchaser. Any applicable implied warranties are limited in duration to a period of the express warranty as provided herein beginning with the date of the original purchase at retail, and no warranties, whether express or implied, shall apply to this product thereafter. Some states do not allow limitations on implied warranties; therefore, these exclusions may not apply to you. This warranty gives you specific legal rights; however you may have other rights that vary from state to state.

WHAT TO DO IF YOU NEED WARRANTY OR SERVICE:

Defective merchandise should be returned to your local Authorized Stillwater Designs (KICKER) Dealer for warranty service. Assistance in locating an Authorized Dealer can be found at www.KICKER.com or by contacting Stillwater Designs directly. You can confirm that a dealer is authorized by asking to see a current authorized dealer window decal.

If it becomes necessary for you to return defective merchandise directly to Stillwater Designs (KICKER), call the KICKER Customer Service Department at (405) 624-8510 for a Return Merchandise Authorization (RMA) number. Package only the defective items in a package that will prevent shipping damage, and return to:

Stillwater Designs
3100 North Husband St
Stillwater, OK 74075

The RMA number must be clearly marked on the outside of the package. Please return only defective components. The return of functioning items increases your return freight charges. Non-defective items will be returned freight collect to you. For example, if a subwoofer is defective, only return the defective subwoofer, not the entire enclosure. Include a copy of the original receipt with the purchase date clearly visible, and a “proof-of-purchase” statement listing the Customer’s name, Dealer’s name and invoice number, and product purchased. Warranty expiration on items without proof-of-purchase will be determined from the type of sale and manufacturing date code. Freight must be prepaid; items sent freight-collect, or COD, will be refused.

WHAT IS NOT COVERED?

This warranty is valid only if the product is used for the purpose for which it was designed. It does not cover:

- o Damage due to improper installation
- o Subsequent damage to other components
- o Damage caused by exposure to moisture, excessive heat, chemical cleaners, and/or UV radiation
- o Damage through negligence, misuse, accident or abuse. Repeated returns for the same damage may be considered abuse
- o Any cost or expense related to the removal or reinstallation of product
- o Speakers damaged due to amplifier clipping or distortion
- o Items previously repaired or modified by any unauthorized repair facility
- o Return shipping on non-defective items
- o Products with tampered or missing barcode labels
- o Products with tampered or missing serial numbers
- o Products returned without a Return Merchandise Authorization (RMA) number
- o Products purchased from an UNAUTHORIZED dealer
- o Freight Damage
- o The cost of shipping product to KICKER
- o Service performed by anyone other than KICKER

HOW LONG WILL IT TAKE?

KICKER strives to maintain a goal of one-week service for all acoustics (subwoofers, midrange drivers, tweeters, crossovers, etc) returns. Delays may be incurred if lack of replacement inventory or parts is encountered. Failure to follow these steps may void your warranty. Any questions can be directed to the KICKER Customer Service Department at (405) 624-8510. Contact your International KICKER dealer or distributor concerning specific procedures for your country’s warranty policies.

Descripción general	15
Especificaciones	16
Instalación	17
Configuración del crossover y del cableado	17
Montaje del crossover	19
Montaje del altavoz	20
Montaje de Midrange/Tweeter ...	23
Garantía Garantie	44

Descripción general

ADVERTENCIA IMPORTANTE DE SEGURIDAD

LA OPERACIÓN CONTINUA Y PROLONGADA DE UN AMPLIFICADOR, ALTAVOZ O SUBWOOFER EN UNA FORMA DISTORSIONADA, CORTADA O CON DEMASIADA POTENCIA PUEDE RECALENTAR SU SISTEMA DE AUDIO Y LLEGAR A INCENDIARLO, ESTO PODRÍA CAUSAR DAÑOS SERIOS A SUS COMPONENTES Y/O VEHÍCULO. LOS AMPLIFICADORES REQUIEREN DE UN MÁXIMO DE 4 PULGADAS (10 CM) DE VENTILACIÓN ABIERTA. LOS SUBWOOFERS DEBEN INSTALARSE CON AL MENOS 1 PULGADA (2.5 CM) DE ESPACIO ENTRE LA PARTE FRONTAL DEL ALTAVOZ Y CUALQUIER SUPERFICIE. ¡LOS PRODUCTOS KICKER TIENEN LA CAPACIDAD DE PRODUCIR NIVELES DE SONIDO QUE PUEDEN DAÑAR DE FORMA PERMANENTE SU AUDICIÓN! AUMENTAR EL VOLUMEN DE UN SISTEMA HASTA UN NIVEL QUE GENERE DISTORSIÓN AUDIBLE ES MÁS DAÑINO PARA SUS OÍDOS QUE ESCUCHAR UN SISTEMA SIN DISTORSIONES AL MISMO NIVEL DE VOLUMEN. EL UMBRAL DEL DOLOR ES SIEMPRE UN INDICADOR DE QUE EL NIVEL DE SONIDO ES DEMASIADO ELEVADO Y PUEDE DAÑAR PERMANENTEMENTE SU AUDICIÓN. USE EL SENTIDO COMÚN CUANDO CONTROLE EL VOLUMEN.

Los altavoces KICKER KS ofrecen una excelente mejora para el sistema de sonido de fábrica de su vehículo proporcionando un fantástico sonido de gama completa ¡a un precio increíble! Ya sea que monte los altavoces KS en una ubicación de fábrica o que personalice su instalación, su diseño de alta eficiencia significa que requiere menos potencia para reproducir su música, mientras que el uso de materiales y técnicas de construcción avanzadas garantiza un desempeño óptimo en los años venideros. Diseñado para todo tipo de aplicaciones sin sacrificar la calidad del sonido ni la estética, esperamos que tenga la oportunidad de combinar estos nuevos y mejorados componentes audiófilos con los novedosos amplificadores inteligentes KEY y un sub KICKER ¡para una experiencia de audio inolvidable!

Especificaciones

Altavoces para componente KS

KSS269

Woofer [in, mm]	6 x 9, 160 x 230
Midrange/Tweeter [in, mm]	2,75, 70
Impedancia nominal [Ω]	4
Manejo de potencia máxima [Watts]	200
Potencia recomendada para el amplificador [Watts RMS]	15-100
Sensibilidad [1 W, 1 m]	92
Respuesta de frecuencia [Hz]	30-20k
Material del imán del Midrange/Tweeter	Ferrita
Material del cono del Midrange/Tweeter	Papel compuesto (Papel tratado)
Material envolvente del Midrange/Tweeter	Paño tratado con protección UV
Material del cono del Woofer	Polipropileno
Material envolvente del Woofer	Santoprene
Diámetro del orificio de montaje del Woofer [in, mm]	5-11/16 x 8-7/16
Profundidad del montaje superior del Woofer [in, mm]	2-15/16, 75
Profundidad del montaje inferior del Woofer [in, mm]	3-3/16, 81
Diámetro del orificio de montaje del Midrange/ Tweeter [in, mm]	2-3/8, 61
Profundidad del montaje superior del Midrange/ Tweeter [in, mm]	1-1/4, 32
Profundidad del montaje inferior del Midrange/ Tweeter [in, mm]	1-3/8, 35

Nota: Todas las especificaciones y cifras de rendimiento están sujetas a cambio. Visite **www.kicker.com** para encontrar la información más reciente. Para obtener el mejor desempeño de sus nuevos altavoces KICKER, le recomendamos usar accesorios y cables KICKER. Espere dos semanas para que los altavoces se adapten y alcancen su desempeño óptimo.

Instalación

Configuración del crossover y del cableado

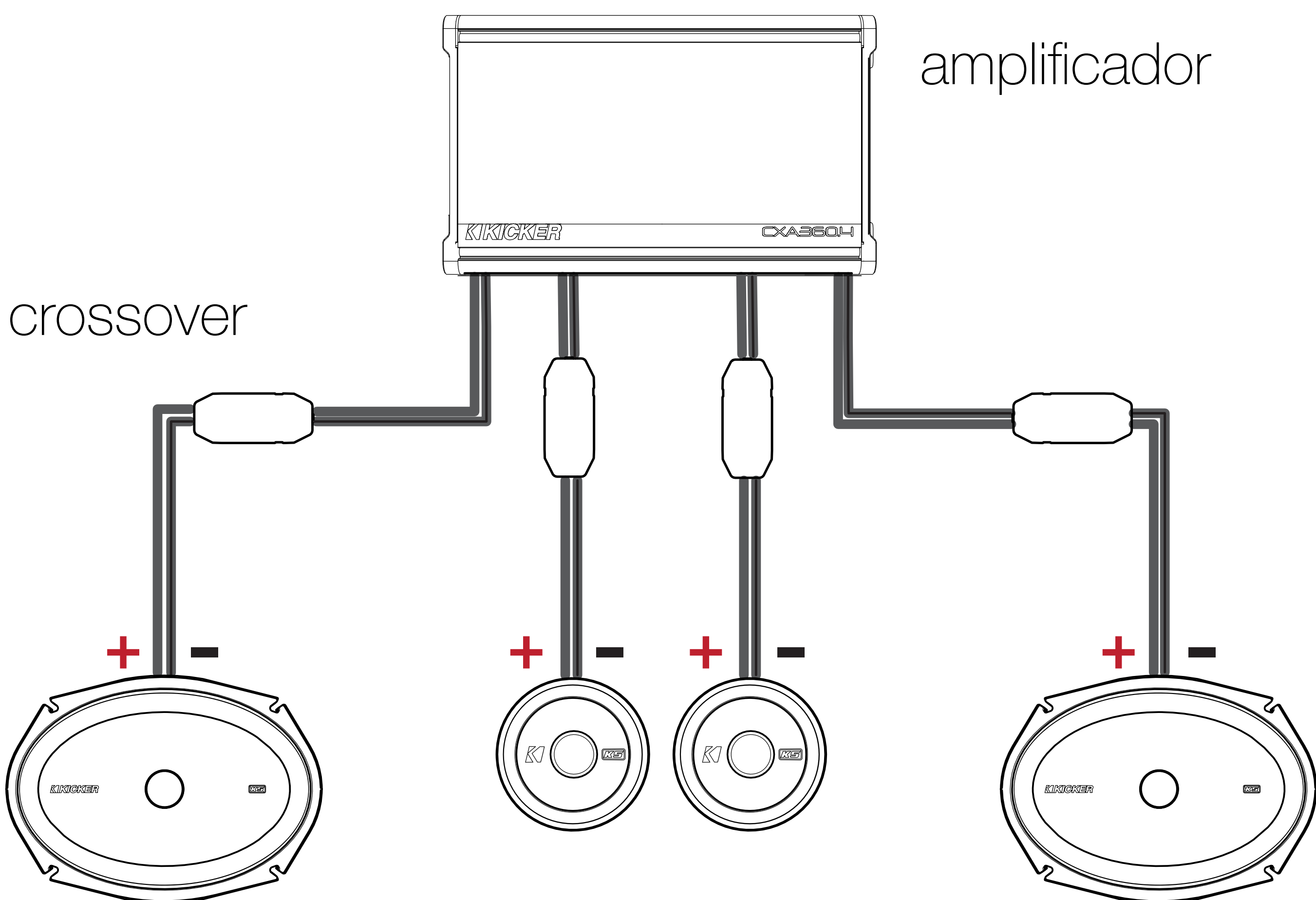
Recomendamos usar cable calibre 16 (o mayor). Los altavoces KS tienen una clasificación de 4 ohmios y funcionan con cualquier unidad fuente o amplificador diseñado para operar a una carga de 4 ohmios. **Asegúrese de que su unidad fuente o amplificador esté clasificado para operación a 4 ohmios.**

Conecte las terminales y receptáculos del crossover a su respectivo conector y color del cable. Deslice la cubierta transparente sobre las terminales para evitar un corto circuito. Conecte la entrada del crossover a las salidas de la unidad principal o amplificador usando los conectores de tope suministrados. El cable positivo es el que tiene aislante gris y está etiquetado con un símbolo de "más". El cable negativo tiene aislante gris con una raya negra.

Cableado del crossover

Un set de componentes por canal

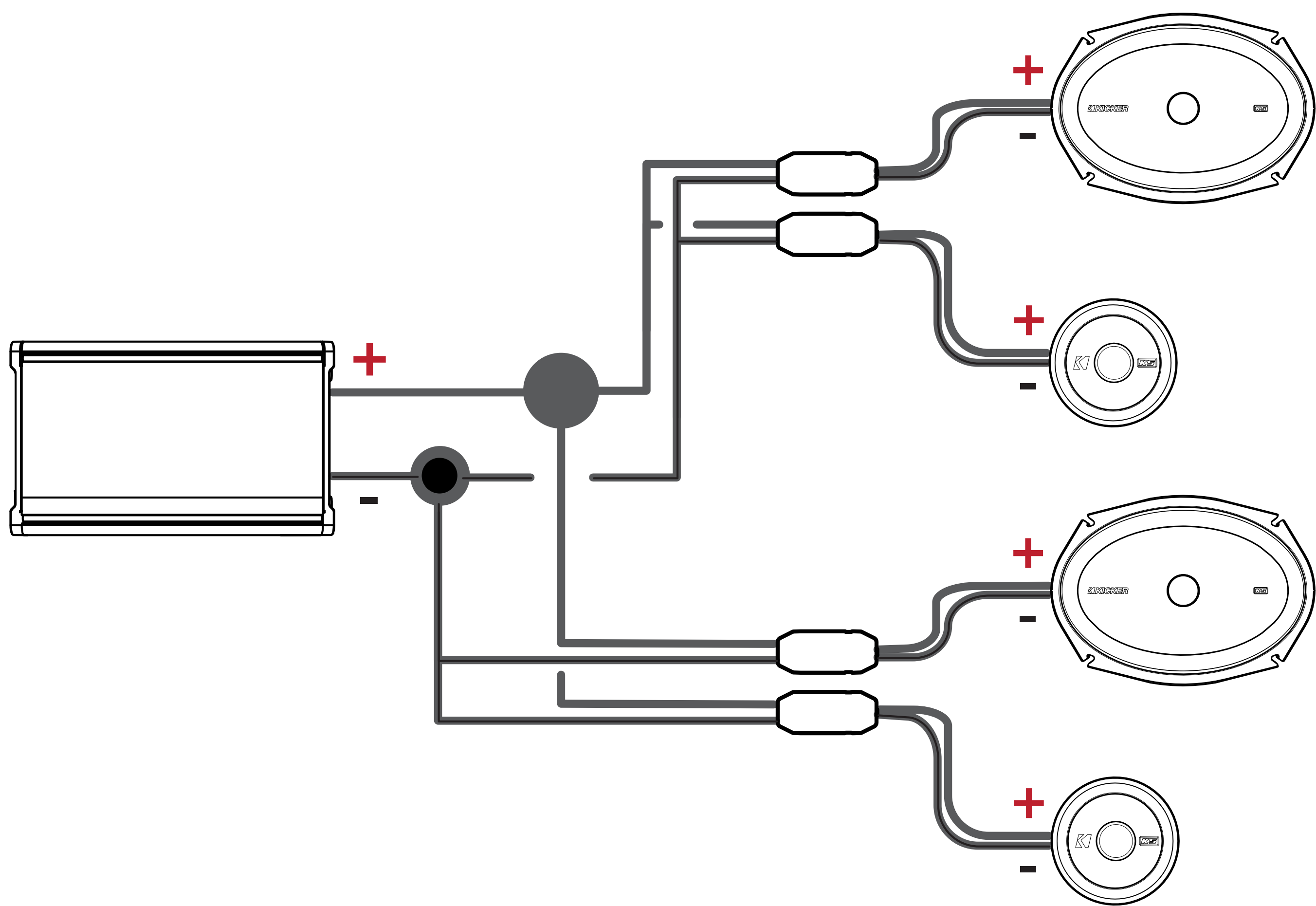
Se necesitan al menos dos canales del amplificador para la operación estéreo



Cableado del crossover

Dos juegos de componentes por canal

Se necesitan al menos dos canales del amplificador para la operación estéreo (solo se muestra un canal)

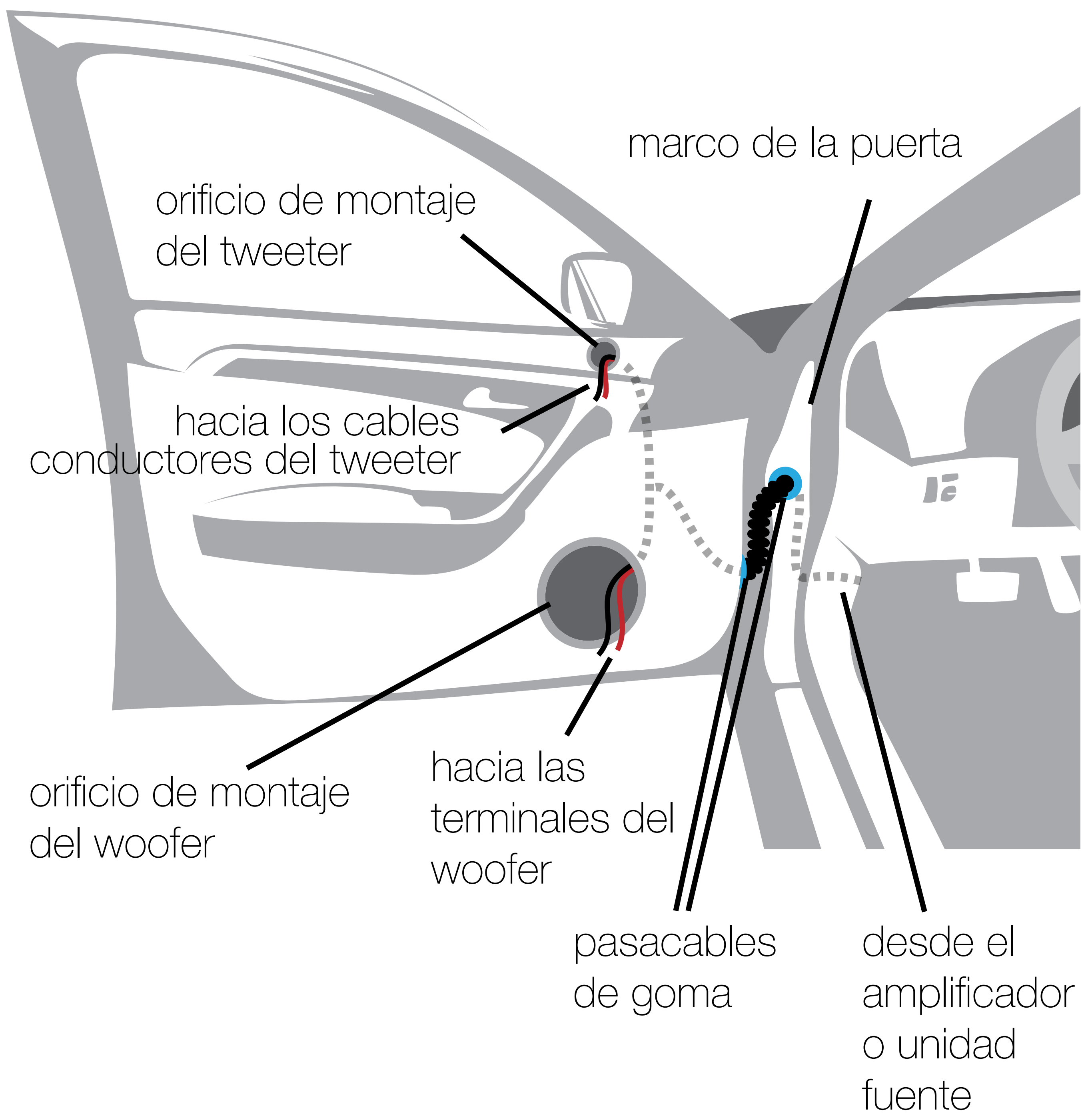


Requiere dos sistemas KSS completos (cuatro woofers, cuatro tweeters, cuatro crossovers)

Consejo de profesionales: ¡Está a solo un amplificador KICKER KX y unos cuantos cables de tener una actualización completa de sistema que controlará cualquier equipo de fábrica! La línea de amplificadores KICKER facilita la actualización para obtener bajos sólidos con su unidad fuente existente u original. De igual forma, pregunte a su vendedor sobre las mejoras en Subwoofer KICKER.

Montaje del crossover

Instale el crossover en una ubicación que sea de fácil acceso para su conexión. Asegúrese de que el crossover no esté expuesto al agua. La parte inferior del automóvil no es una buena ubicación. Si debe instalar el crossover en la puerta del automóvil, tenga cuidado ya que el agua puede acumularse en la parte inferior de la puerta. Mantenga el crossover en un sitio alto de la puerta y protegido del agua.



Si el cableado de fábrica del altavoz no está disponible en la ubicación deseada, podría ser necesario instalar el cable del altavoz a través del marco de la puerta. El cable del altavoz debe mantenerse alejado de bordes afilados y evitar la posibilidad de que quede atrapado por la puerta. Un pasacables preexistente en el montante de la puerta es el lugar ideal para deslizar el cable. Si no existen un pasacables u orificio de fábrica o estos son inaccesibles, debe perforar un orificio para

deslizar el cable del altavoz a través del marco de la puerta. Tenga cuidado de no perforar otros cables o mecanismos existentes de la puerta. Siempre que se deslice un cable por un orificio, es necesario insertar un pasacables de goma o plástico para proteger el cable de daños.

Montaje del altavoz

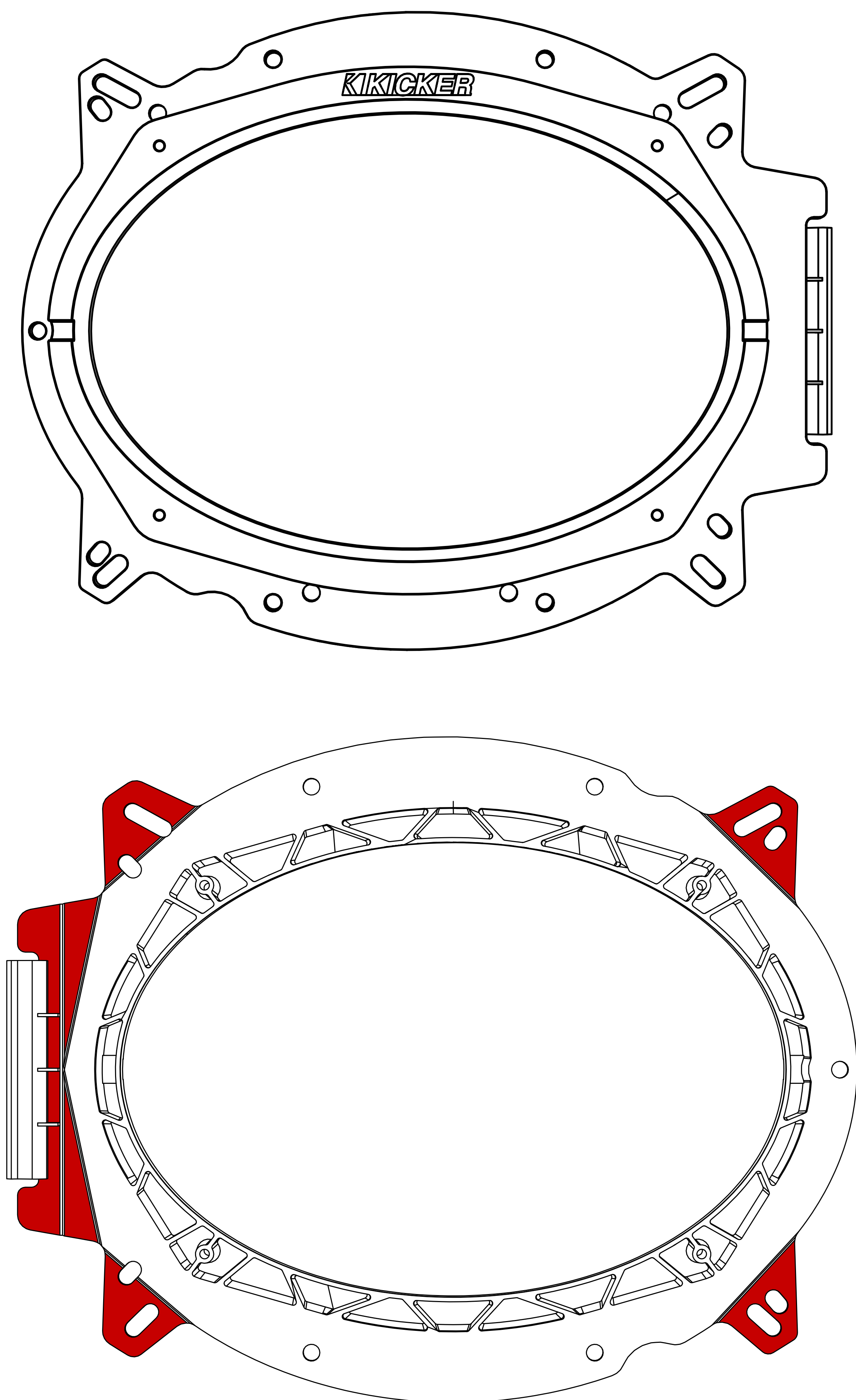
Los altavoces KS KICKER están diseñados para aplicaciones con aire libre y no requieren de una carcasa sellada para su óptimo desempeño. Es importante aislar el sonido que proviene de la parte frontal del altavoz del sonido que irradia la parte trasera del altavoz. Esto puede conseguirse fácilmente montando los altavoces en las ubicaciones de fábrica del vehículo o en una ubicación con una cámara posterior semiaislada (como la cubierta trasera de un vehículo detrás de los asientos traseros).

Si está reemplazando los altavoces de fábrica en sus ubicaciones originales, es probable que necesite utilizar un adaptador multipropósito, o modificarlo de manera que se adapte a sus configuraciones específicas de tornillos. También es posible que deba ampliar la aberturas del altavoz y perforar nuevos orificios para tornillos usando una broca de 7/64" (2,5 mm). Ubicaciones de montaje personalizadas requerirán de más preparación y trabajo. Asegúrese de que el altavoz no interferirá con los mecanismos de apertura y cierre de la cajuela y las puertas y que los tornillos insertados no perforarán el cableado ni interferirán con alguna otra pieza mecánica en la parte inferior de la superficie de montaje. Suba y baje completamente las ventanas.

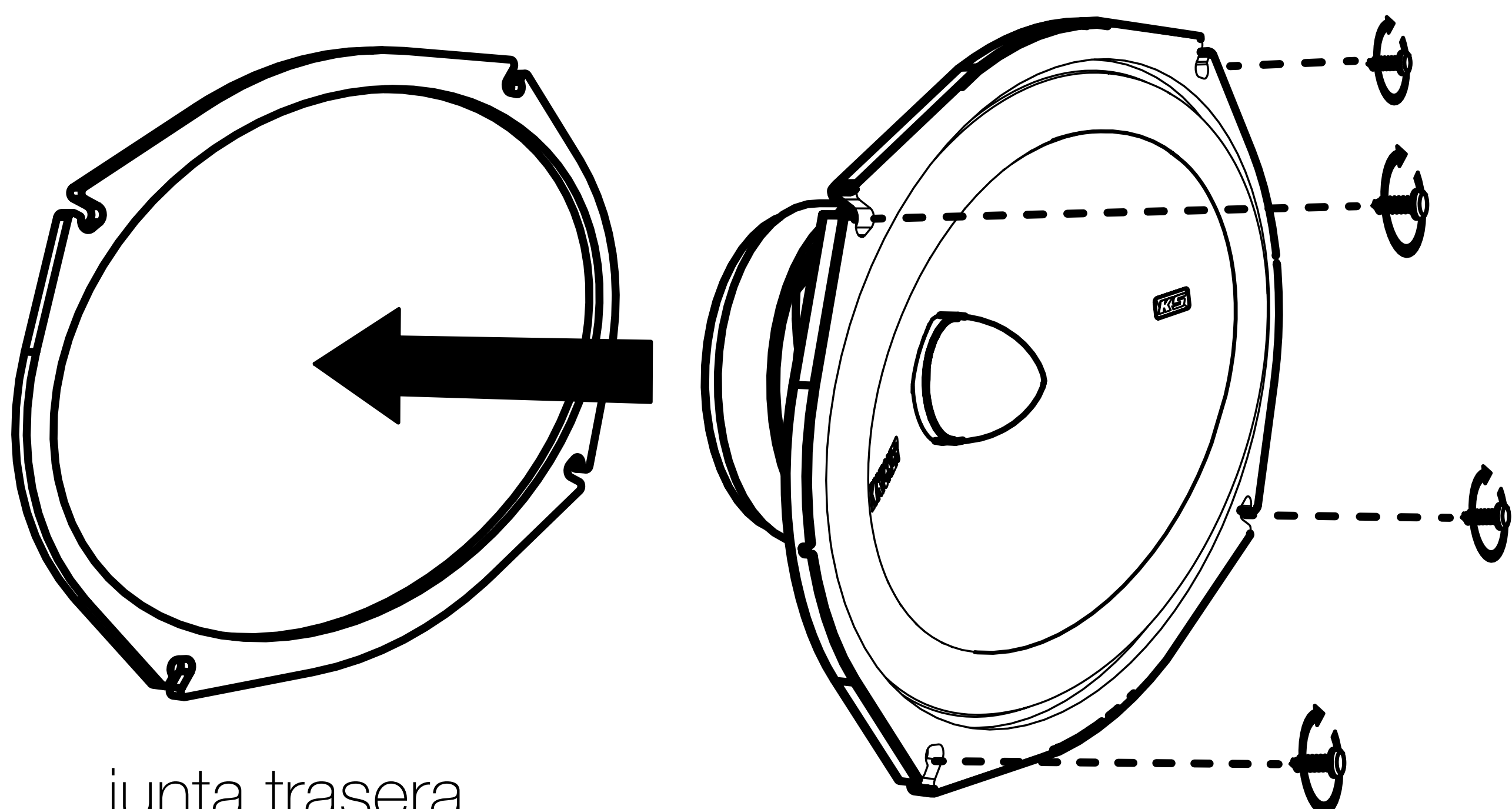
Si las ubicaciones de las aberturas del altavoz requieren que corte metal, evite las estructuras metálicas y los soportes. Si el cuerpo de la puerta y el panel no pueden soportar el peso del altavoz, un aro de refuerzo opcional (una pieza delgada de madera o panel de fibra de densidad media) puede ser sujetado o adherido al cuerpo de la puerta.

El adaptador con multisoporte ayudará a acomodar los altavoces KSS en las ubicaciones de fábrica o personalizadas. Es posible que deba recortar piezas o modificar de alguna otra forma el adaptador para adaptarlo a su vehículo o aplicación. Las piezas a recortar se ven mejor desde el lado posterior (se señalan a continuación). Para algunas aplicaciones, el adaptador se engancha al tablero de montaje en un extremo. Podría ser necesario utilizar amortiguador en espuma para reforzar el montaje en el extremo donde está enganchado el adaptador.

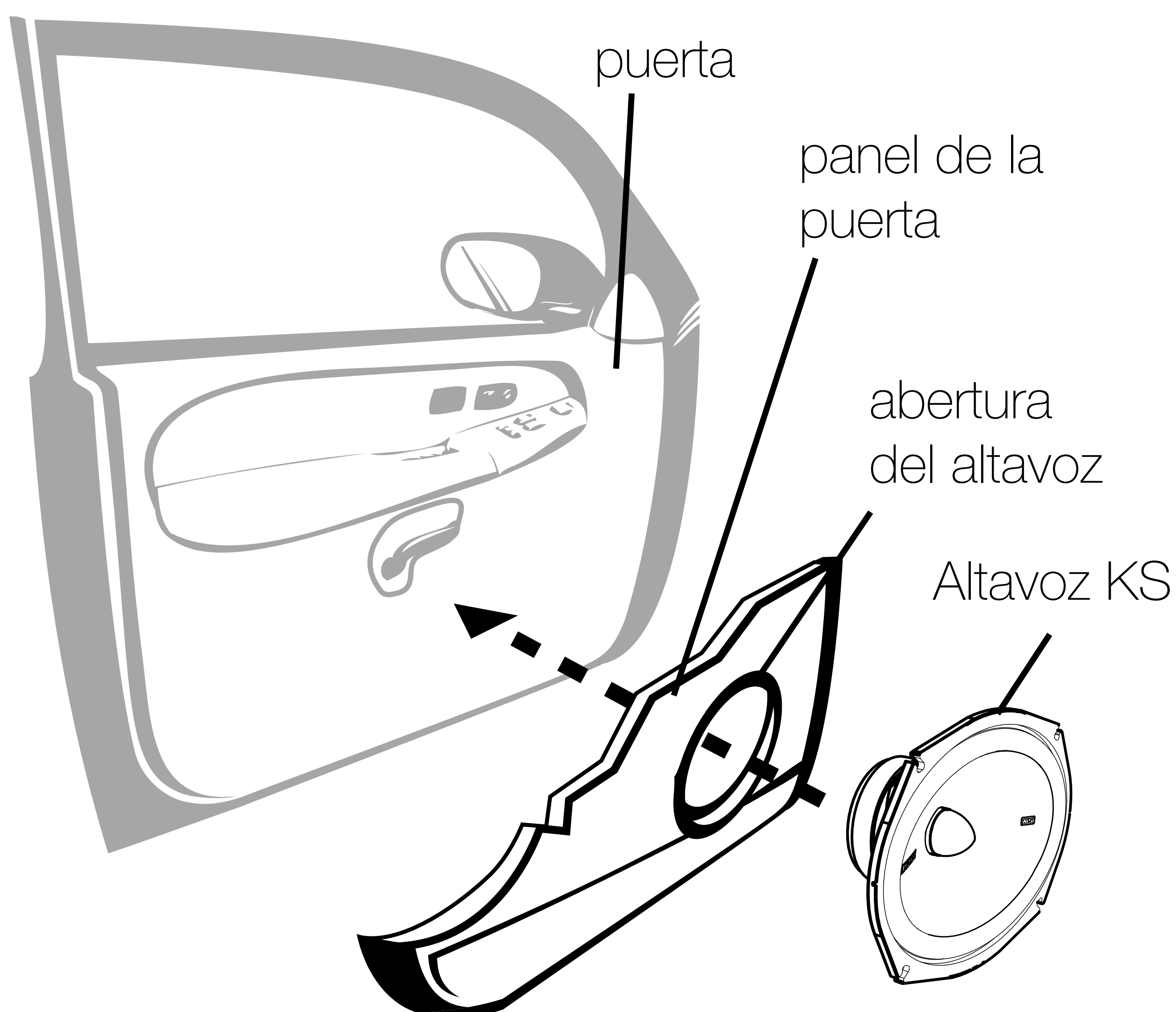
ADAPTADOR KS69



Fije el altavoz en la ubicación deseada



junta trasera
(opcional)



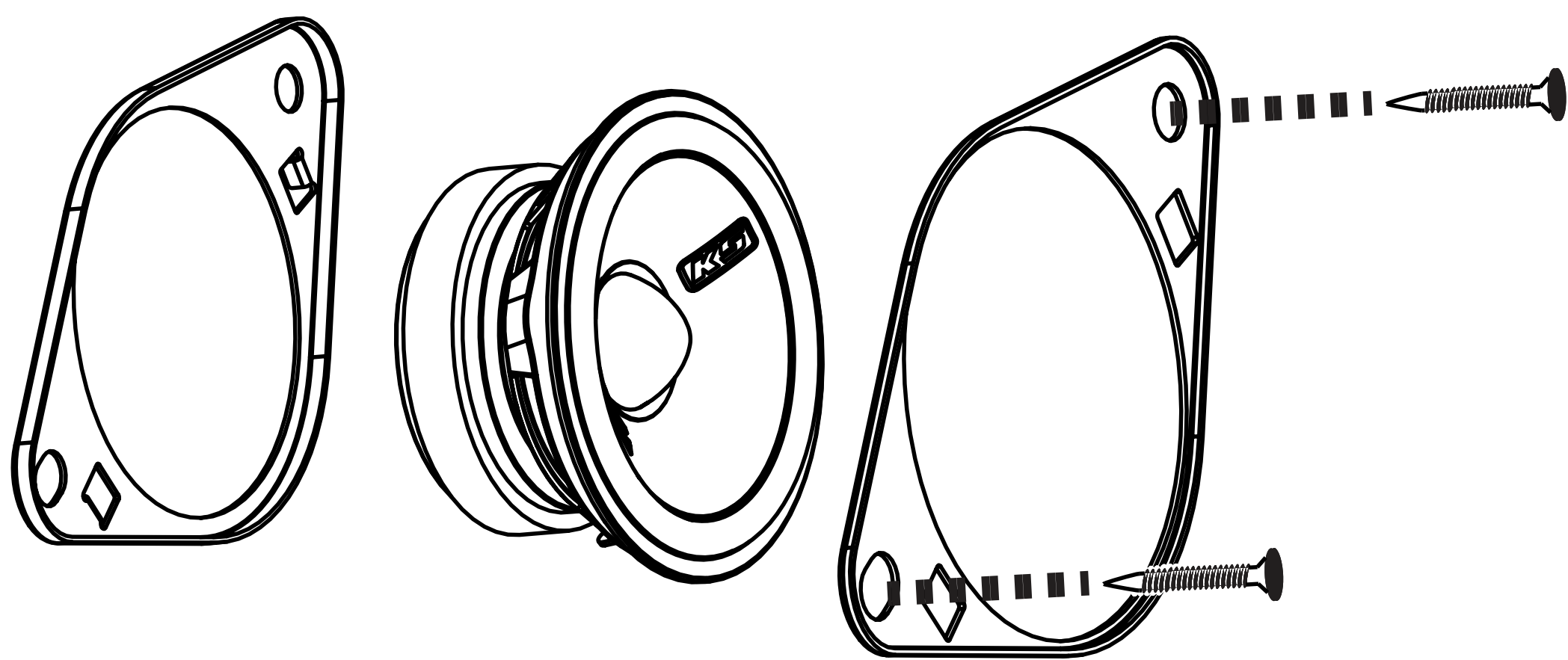
Montaje de Midrange/Tweeter

El midrange/tweeter se monta al ras y puede ser instalado utilizando uno de los siguientes ensambles adaptadores incluidos: Toyota/Subaru, Chrysler/Jeep, GM/Mopar. Elija una ubicación en el tablero con espacio detrás del tablero donde quede lugar para la estructura del motor y el tweeter. Después de verificar los espacios, corte un orificio de montaje de 1-3/4" (44 mm) de diámetro en el panel. Si usa un adaptador, coloque la brida de adaptación contra la superficie. Pase el cable a través de la brida del adaptación y el orificio en el tablero. Fije el conductor enroscando los tornillos suministrados a través del retenedor-adaptador, tweeter y la brida del adaptador.

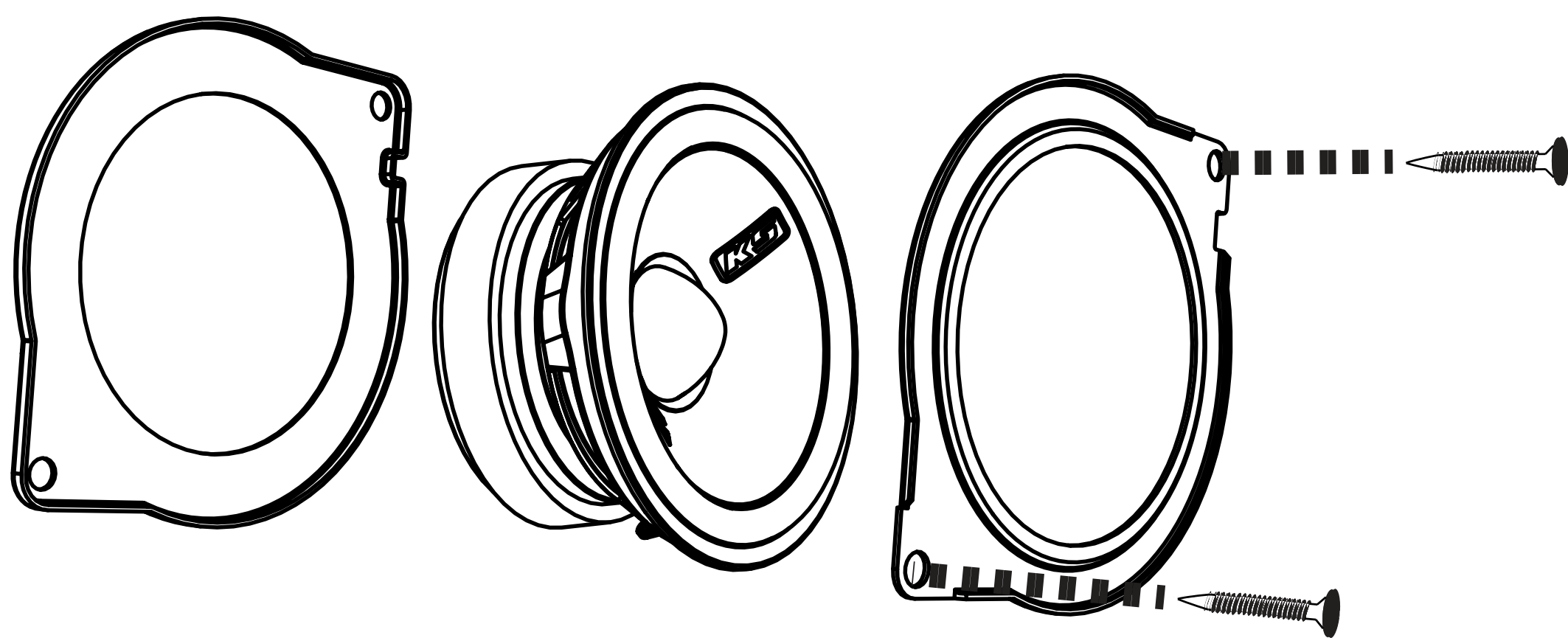
brida

retenedor

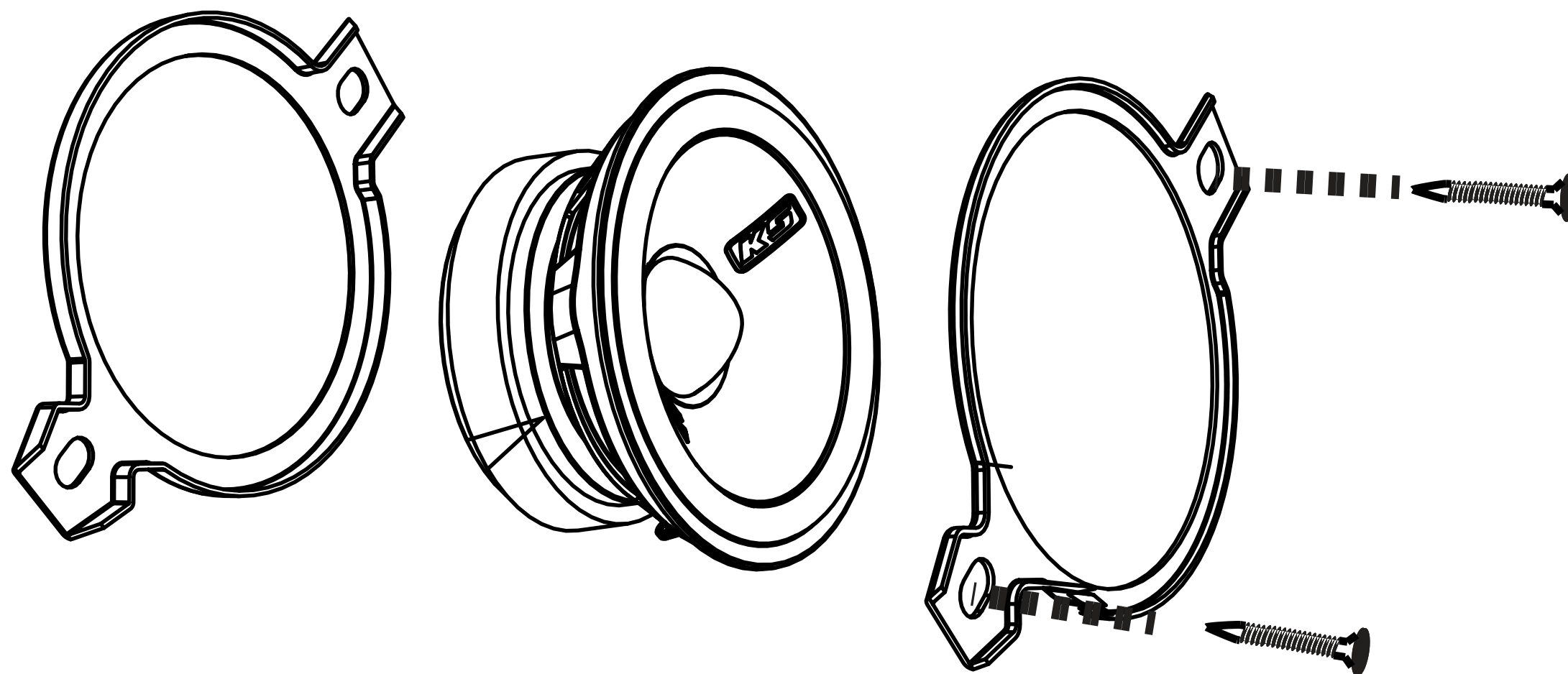
Toyota/Subaru



Chrysler/Jeep



GM/Mopar



Présentation	25
Spécifications	26
Installation	27
Configuration du câble croisé et du câblage	27
Montage du câble croisé	29
Montage des haut-parleurs	30
Montage du HP de médium/aigus	33
Garantía Garantie	44

Présentation

AVERTISSEMENT DE SÉCURITÉ IMPORTANT

UNE UTILISATION CONTINUE ET PROLONGÉE D'UN AMPLIFICATEUR, D'UN HAUT-PARLEUR OU D'UN CAISSON DE GRAVES AVEC UN SON DISTORDU, ÉCRÊTÉ OU EXCESSIF PEUT FAIRE SURCHAUFFER VOTRE SYSTÈME AUDIO, QUI RISQUE DE PRENDRE FEU ET DE CAUSER DE SÉRIEUX DÉGÂTS À VOS COMPOSANTS ET/OU VOTRE VÉHICULE. LES AMPLIFICATEURS REQUIÈRENT UN ÉVENT D'AÉRATION JUSQU'À 10 CM (4 POUCES). LES CAISSONS DE GRAVES DOIVENT ÊTRE MONTÉS AVEC AU MOINS 2,5 CM (1 POUCE) D'ÉCART ENTRE L'AVANT DU HAUT-PARLEUR ET TOUTE SURFACE. LES PRODUITS KICKER SONT CAPABLES DE PRODUIRE DES NIVEAUX SONORES POUVANT ENDOMMAGER VOTRE AUDITION DE MANIÈRE IRRÉVERSIBLE ! LE RÉGLAGE D'UN SYSTÈME À UN NIVEAU PRODUISANT UNE DISTORSION AUDIBLE ENDOMMAGE DAVANTAGE L'AUDITION QUE L'ÉCOUTE D'UN SYSTÈME SANS DISTORSION AU MÊME VOLUME. LE SEUIL DE LA DOULEUR INDIQUE TOUJOURS QUE LE NIVEAU SONORE EST TROP ÉLEVÉ ET POURRAIT ENDOMMAGER VOTRE AUDITION DE MANIÈRE IRRÉVERSIBLE. VEUILLEZ RÉGLER LE VOLUME SONORE EN FAISANT PREUVE DE BON SENS.

Les haut-parleurs KICKER KS constituent une excellente mise à niveau du système acoustique d'origine de votre véhicule, en vous offrant un son à large bande à un prix incroyable ! Que vous montiez les haut-parleurs KS à l'emplacement prévu à l'origine ou que vous personnalisiez votre installation, leur conception à haute efficacité nécessite moins de puissance pour diffuser votre musique, tandis que notre utilisation de matériaux avancés et nos techniques de construction garantissent des performances optimales pendant de nombreuses années. Nous espérons que vous aurez l'occasion de combiner ces nouveaux composants audiophiles améliorés, conçus pour des applications polyvalentes sans sacrifier la qualité du son ou l'esthétique, avec nos tout nouveaux amplificateurs intelligents KEY et notre caisson de graves KICKER pour une expérience acoustique inoubliable !

Spécifications

Enceintes acoustiques KS

KSS269

Haut-parleur de graves [mm ; pouces]	160 x 230 ; 6 x 9
Haut-parleur de médium/aigus [mm ; pouces]	70 ; 2,75
Impédance nominale [Ω]	4
Puissance en crête [W]	200
Puissance d'amplificateur recommandée [W RMS]	15 à 100
Sensibilité [1 W, 1 m]	92
Réponse en fréquence [Hz]	30 à 20 000
Matériau de bobine du haut-parleur de médium/aigus	Ferrite
Matériau de bobine du cône de médium/aigus	Papier composite (papier traité)
Matériau d'enveloppe du cône de médium/aigus	Tissu traité anti-UV
Matériau du cône du haut-parleur de graves	Polypropylène
Matériau d'enveloppe du haut-parleur de graves	Polypropylène
Diamètre du trou de montage du haut-parleur de graves [mm, po]	Santoprene
Profondeur de montage supérieure du haut-parleur de graves [mm, po]	5-11/16 x 8-7/16
Profondeur de montage inférieure du haut-parleur de graves [mm, po]	75, 2-15/16
Diamètre du trou de montage du haut-parleur de graves/médium [mm, po]	81, 3-3/16
Profondeur de montage supérieure du haut-parleur de médium/aigus [mm, po]	61, 2-3/8
Profondeur de montage inférieure du haut-parleur de médium/aigus [mm, po]	32, 1-1/4
	35, 1-3/8

Remarque : toutes les spécifications et valeurs de performance sont sujettes à modification.

Veillez vous rendre sur **www.kicker.com** pour les informations les plus récentes. Pour tirer les meilleures performances de vos nouveaux haut-parleurs KICKER, nous vous recommandons d'utiliser des accessoires et du câblage KICKER authentiques. Veillez laisser deux semaines de rodage aux haut-parleurs afin de leur permettre d'atteindre leurs performances optimales.

Installation

Configuration du câble croisé et du câblage

Nous vous recommandons d'utiliser un câble de calibre 16 (ou plus). Les enceintes KS ont une impédance nominale de 4 ohms et fonctionnent avec tous types de sources ou d'amplificateurs conçus pour fonctionner à une charge de 4 ohms.

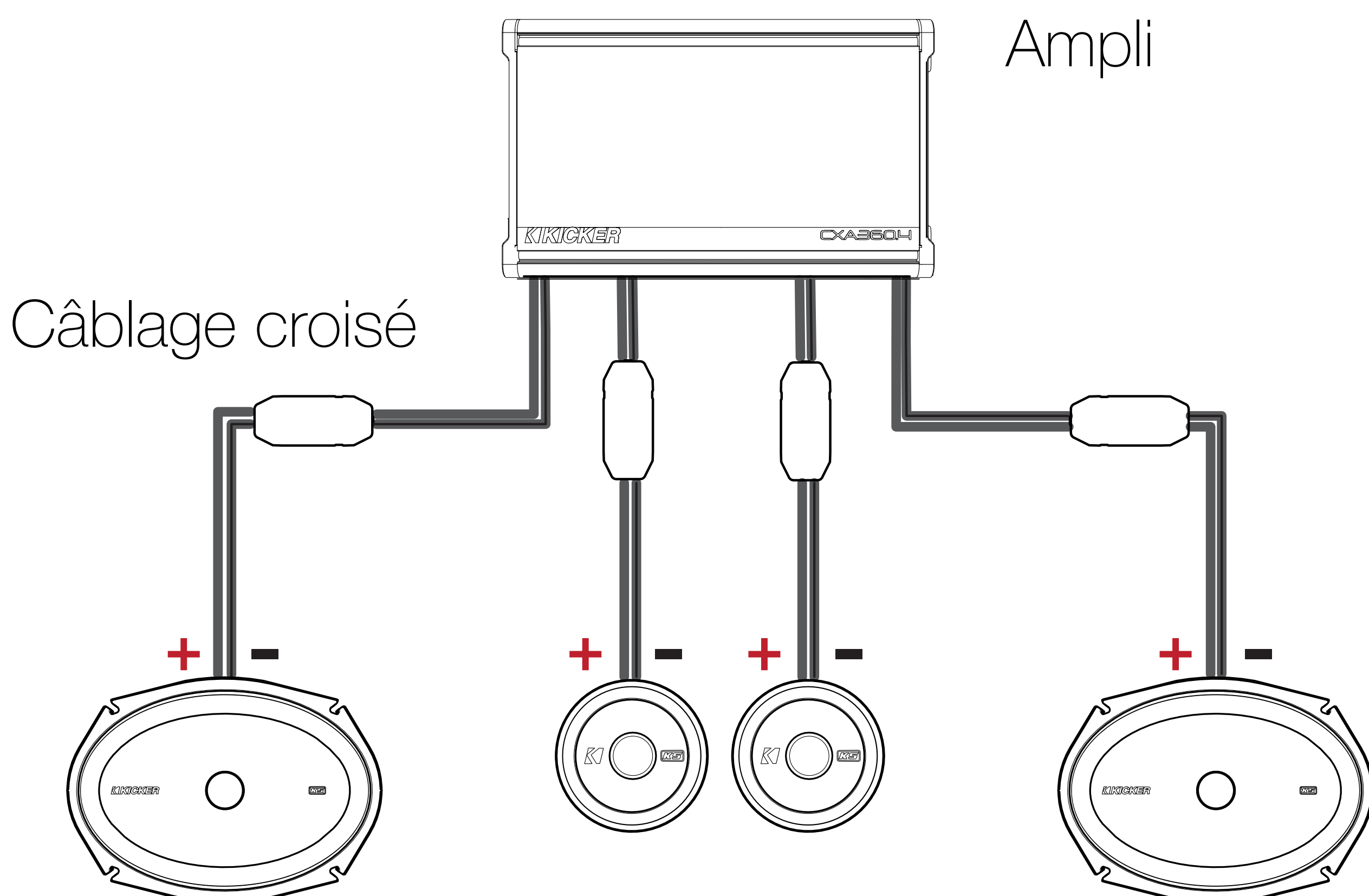
Assurez-vous que l'impédance de votre source ou amplificateur soit compatible avec le fonctionnement sous 4 ohms.

Raccordez les réceptacles et les bornes du câble croisé à leur connecteur et leur couleur de fil respectifs. Faites glisser le couvercle transparent sur les bornes pour éviter un court-circuit. Connectez l'entrée du câble croisé aux sorties de l'amplificateur ou de la source à l'aide des connecteurs bout-à-bout fournis. Le câble positif est celui qui comporte un isolant gris présentant un symbole « plus ». Le câble négatif comporte un isolant gris strié de noir.

Câblage croisé

Un seul jeu de composants par voie

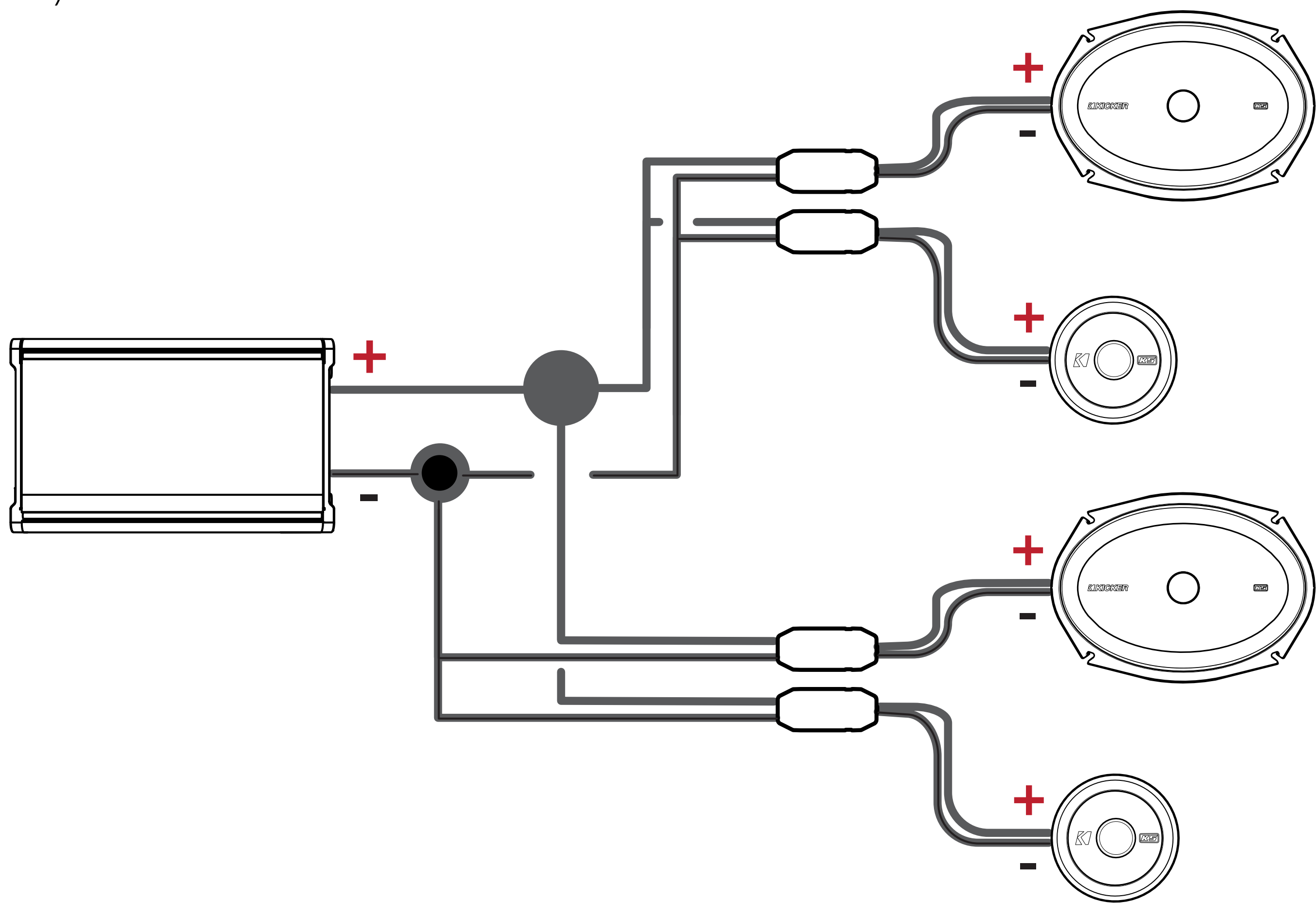
La reproduction en stéréo nécessite aux moins deux voies de signal amplifié.



Câblage croisé

Deux jeux de composants par voie

La reproduction en stéréo nécessite aux moins deux voies de signal amplifié (une seule voie est illustrée ici).



Nécessite deux systèmes KSS complets (quatre HP de graves, quatre HP d'aigus, quatre câbles croisés)

Astuce de pro : il ne vous manque plus qu'un amplificateur KICKER KX et quelques câbles pour bénéficier d'une mise à niveau totale de votre installation, qui surpassera tout système d'origine ! Avec la gamme d'amplificateurs KICKER, il devient facile de doter votre source d'origine ou existante de basses surpuissantes. Demandez également à votre distributeur de vous parler des améliorations que constituent les caissons de graves KICKER.

à travers un trou, il est nécessaire d'insérer un passe-câble en plastique ou en caoutchouc pour protéger le câble des dégâts.

Montage des haut-parleurs

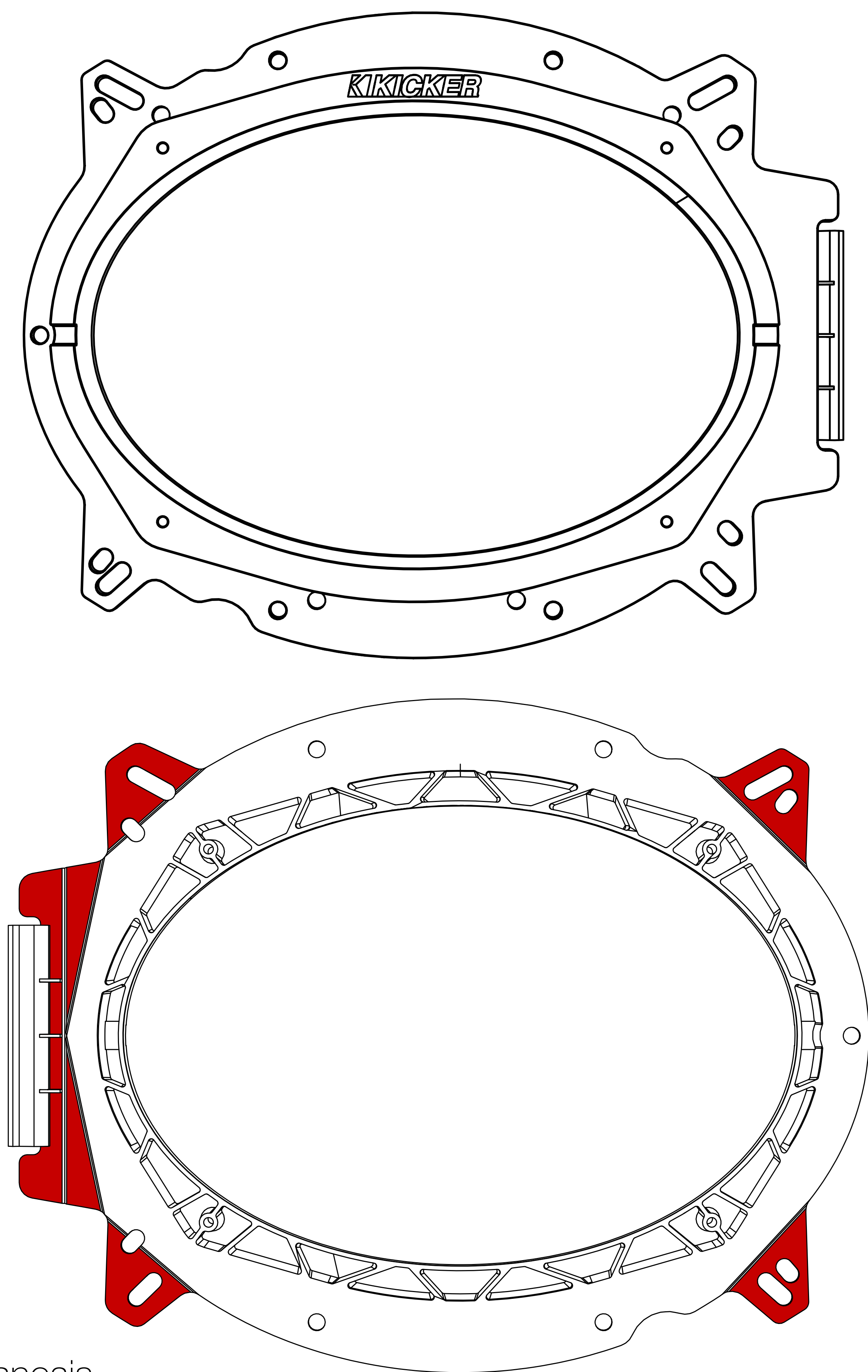
Les haut-parleurs KICKER KS sont conçus pour les applications à l'air libre et ils ne nécessitent pas d'enceinte étanche pour délivrer des performances optimales. Il est important que le son provenant de l'avant de l'enceinte soit isolé de celui qui rayonne à l'arrière de celle-ci. La meilleure façon d'y parvenir est de monter les haut-parleurs soit aux emplacements d'origine du véhicule, soit dans un espace semi-isolé à l'arrière (comme la plage arrière d'une voiture, derrière la banquette).

Si vous remplacez des haut-parleurs d'usine à leur emplacement d'origine, vous devrez peut-être utiliser l'adaptateur polyvalent inclus, ou modifier celui-ci pour l'adapter aux formats de vis requis. Il se peut également que vous deviez agrandir les découpes des haut-parleurs et pré-percer de nouveaux trous de vis à l'aide d'une mèche de 2,5 mm (7/64e de pouce). Les emplacements de montage personnalisés requièrent davantage de travail et de préparation. Assurez-vous que le haut-parleur n'interfère pas avec les mécanismes d'ouverture et de fermeture de la portière et du coffre, et que les vis fournies ne transpercent pas le réservoir de carburant ou le câblage, ni n'interfèrent avec toute autre pièce mécanique positionnée sous la surface de montage. Descendez les vitres tout en bas, puis remontez-les en position maximale.

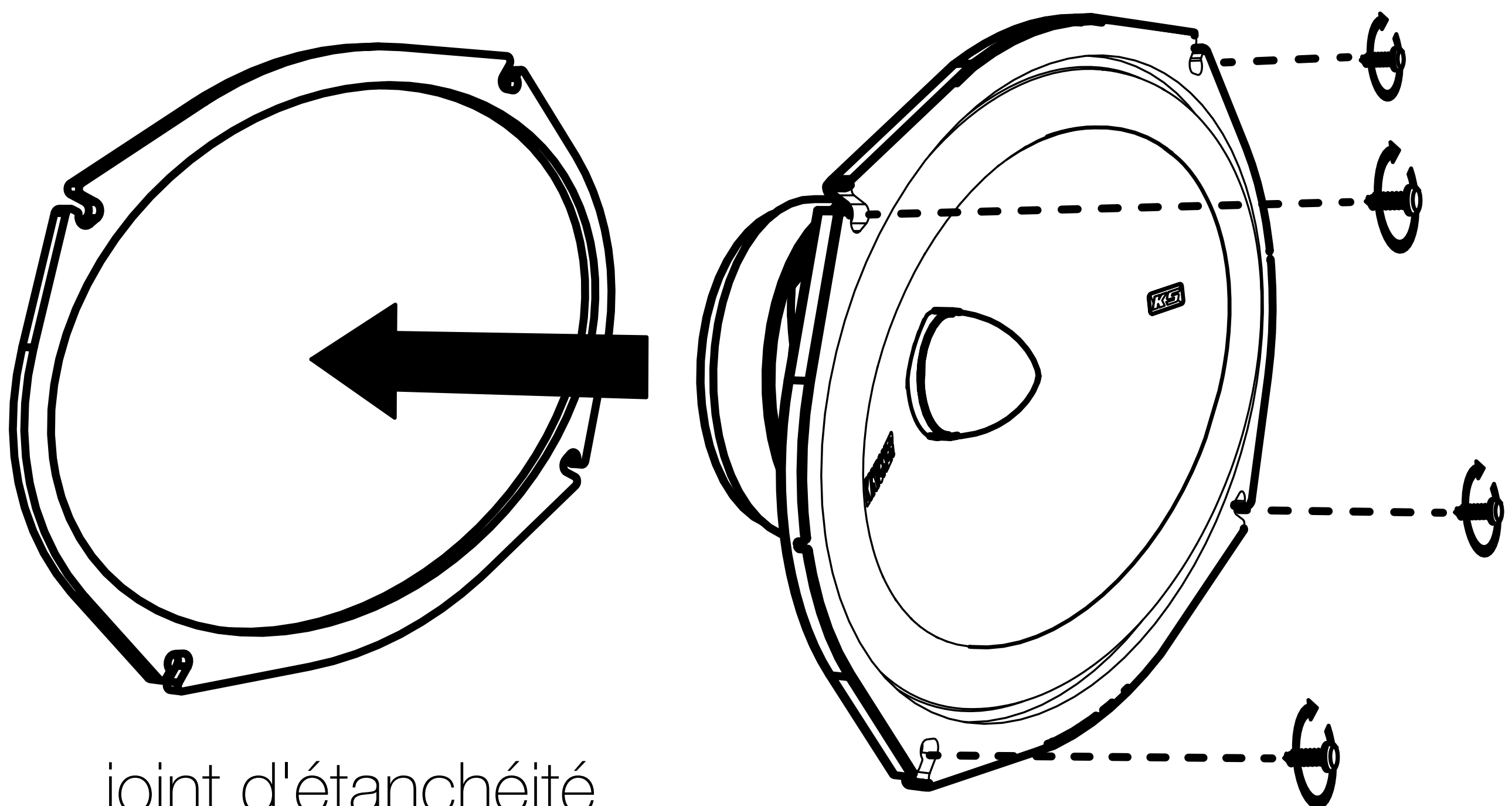
Si les emplacements de découpe des haut-parleurs vous obligent à couper du métal, évitez les structures et renforts métalliques. Si le corps et la garniture de la portière ne supportent pas le poids de l'enceinte, un anneau de renfort optionnel (pièce de bois mince ou panneau de fibres de densité moyenne) peut être fixé ou collé sur le corps de la portière.

L'adaptateur multi-supports permet d'installer les haut-parleurs KSS aux emplacements d'origine ou à des emplacements personnalisés. Il se peut que vous deviez découper des composants ou modifier l'adaptateur en fonction de votre véhicule ou application. Les pièces découpables sont mieux visibles depuis l'arrière (en surbrillance ci-dessous). Pour certaines applications, l'adaptateur se fixe sur le panneau de montage d'un seul côté. Pour que la partie clipsée de l'adaptateur soit plus fermement serrée, l'usage de l'amortisseur en mousse peut être nécessaire.

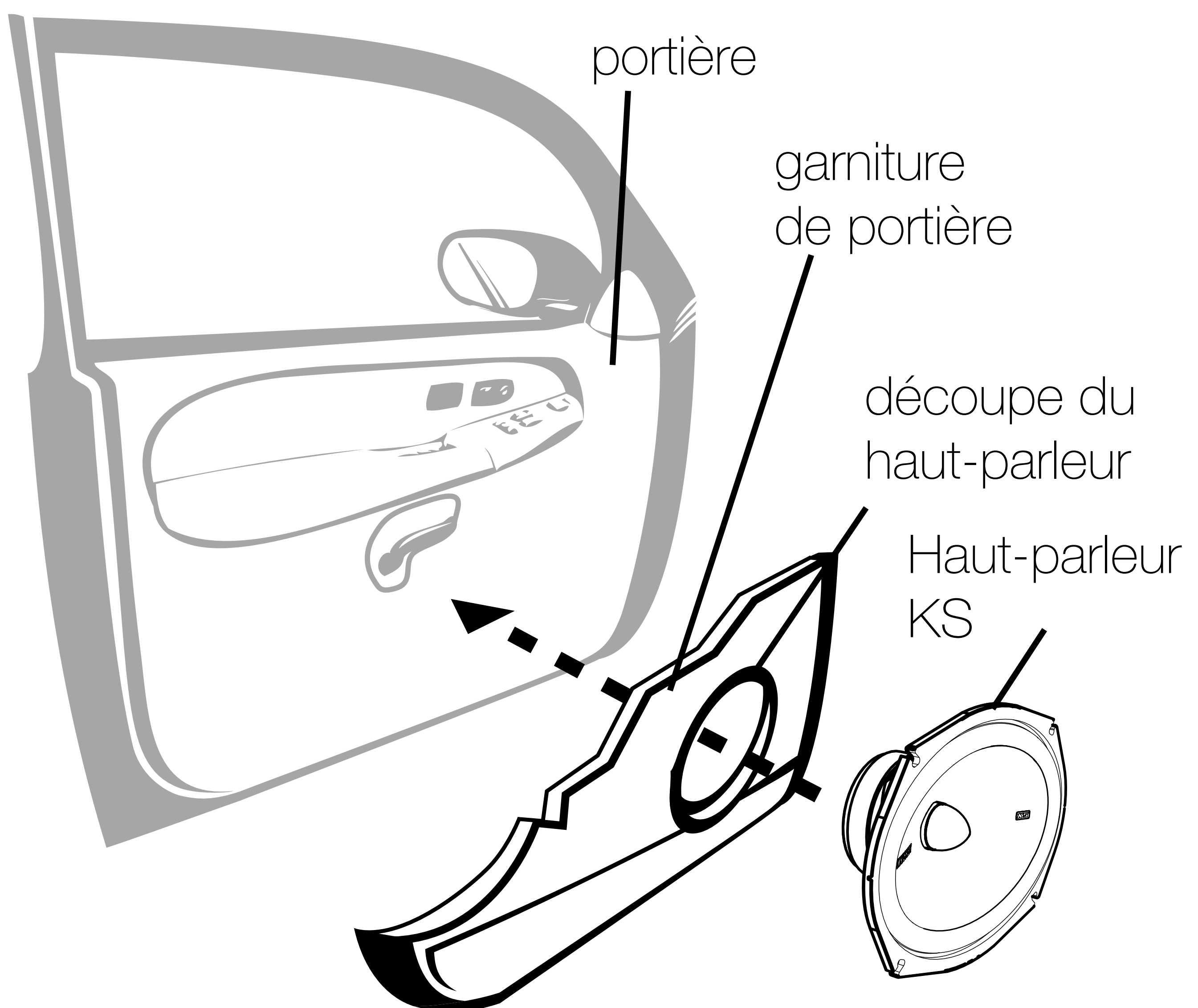
ADAPTATEUR KS69



Fixez l'enceinte à l'emplacement souhaité



joint d'étanchéité
arrière (optionnel)



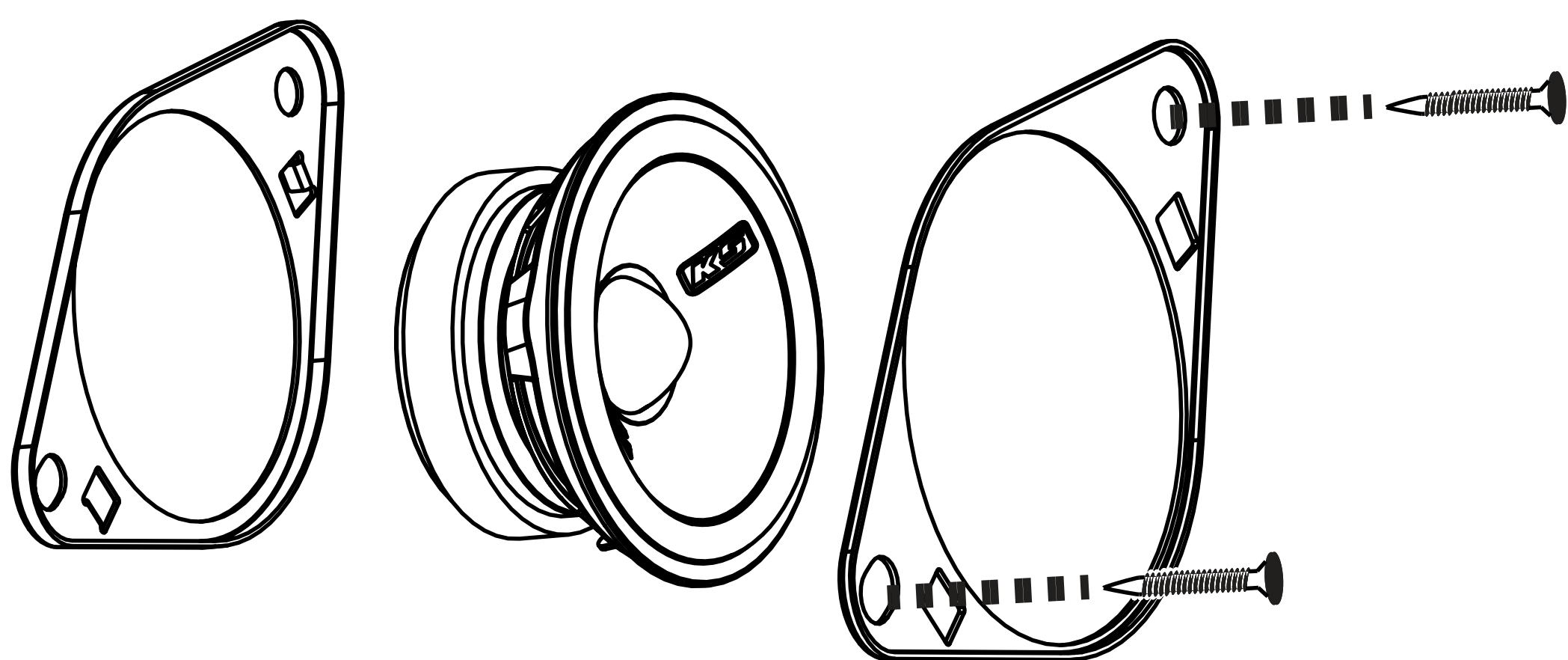
Montage du HP de médium/aigus

Le haut-parleur de médium/aigus est encastré et peut être installé à l'aide de l'un des adaptateurs inclus : Toyota/Subaru, Chrysler/Jeep, GM/Mopar. Choisissez un emplacement plane muni d'un espace à l'arrière de la garniture afin d'accueillir la structure du moteur et le HP d'aigus. Après avoir vérifié les dégagements, découpez un trou de montage de 44 mm (1-3/4 de pouce) de diamètre dans la garniture. Si vous utilisez un adaptateur, positionnez la bride de celui-ci contre la surface. Faites passer le fil à travers la bride de l'adaptateur et le trou de la garniture. Fixez le haut-parleur en serrant les vis fournies à travers le support de l'adaptateur, le HP d'aigus et la bride de l'adaptateur.

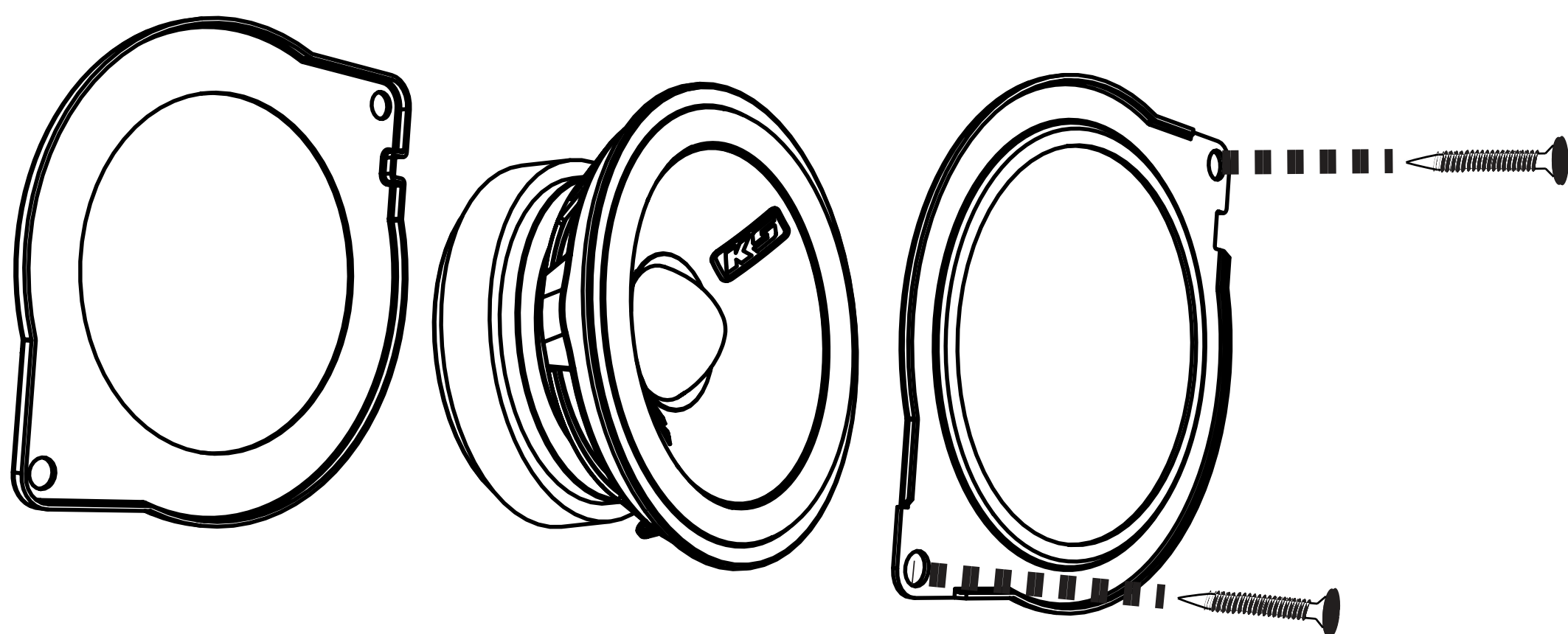
bride

dispositif de retenue

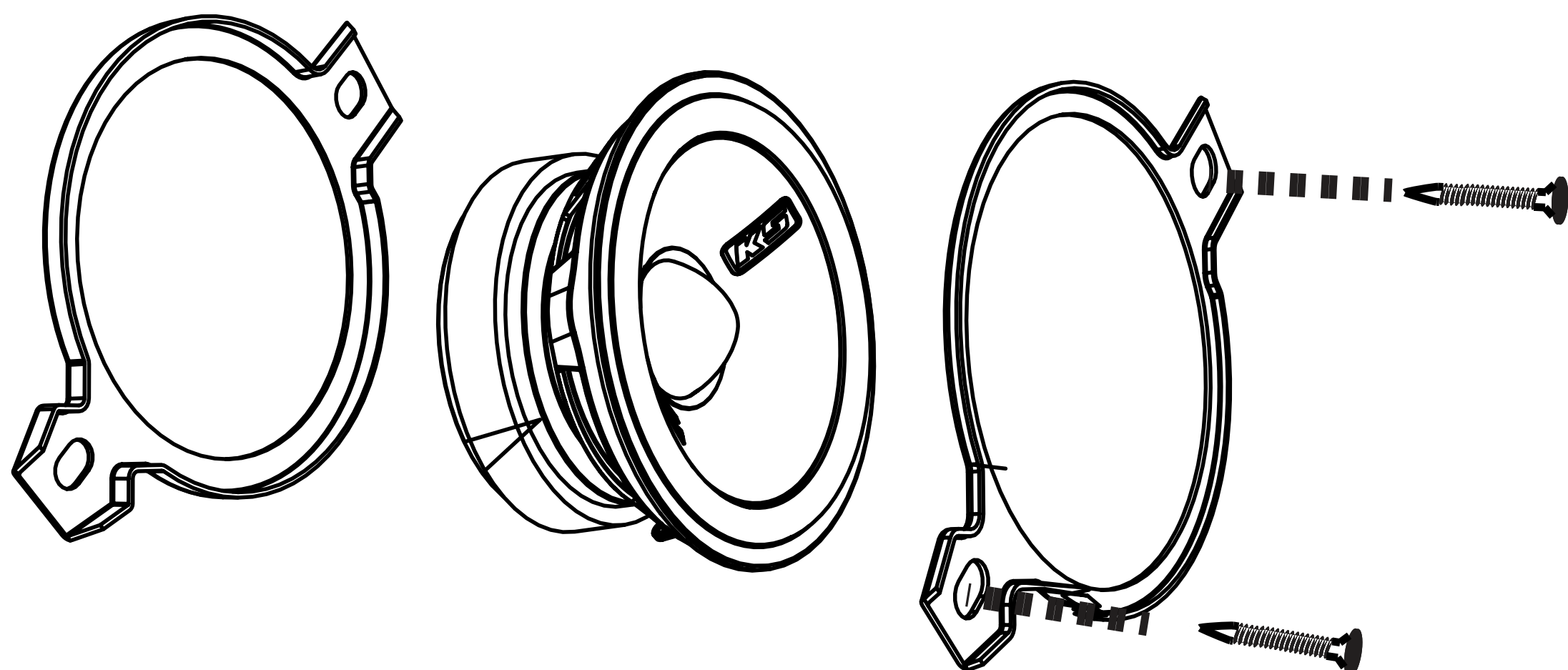
Toyota/Subaru



Chrysler/Jeep



GM/Mopar



Übersicht	35
Spezifikationen	36
Installation	37
Konfiguration der Frequenzweiche und Verkabelung	37
Frequenzweichen-Montage	39
Montage der Lautsprecher	40
Montage Mitteltöner/Hochtöner .	43
Garantía Garantie	44

Übersicht

WICHTIGER SICHERHEITSHINWEIS

LÄNGERER DAUERBETRIEB EINES VERSTÄRKERS, LAUTSPRECHERS ODER SUBWOOFERS IN VERZERRTER, BESCHNITTENER ODER ÜBERSTEUERTER FORM KANN ZU EINER ÜBERHITZUNG IHRES AUDIOSYSTEMS FÜHREN, DAS MÖGLICHERWEISE FEUER FÄNGT UND ZU SCHWEREN SCHÄDEN AN IHREN KOMPONENTEN UND/ODER IHREM FAHRZEUG FÜHRT. VERSTÄRKER BENÖTIGEN BIS ZU 10 CM (4 ZOLL) OFFENE BELÜFTUNG. SUBWOOFER SOLLTEN MIT EINEM ABSTAND VON MINDESTENS 2,5 CM (1 ZOLL) ZWISCHEN DER VORDERSEITE DES LAUTSPRECHERS UND EINER OBERFLÄCHE MONTIERT WERDEN. KICKER-PRODUKTE SIND IN DER LAGE, SCHALLPEGEL ZU ERZEUGEN, DIE IHR GEHÖR DAUERHAFT SCHÄDIGEN KÖNNEN! WENN SIE EIN SYSTEM AUF EINEN PEGEL AUFDREHEN, DER HÖRBARE VERZERRUNGEN AUFWEIST, SCHADET DIES IHREN OHREN MEHR ALS WENN SIE EIN UNVERZERRTES SYSTEM MIT DERSELBEN LAUTSTÄRKE HÖREN. DIE SCHMERZGRENZE IST IMMER EIN INDIKATOR DAFÜR, DASS DER SCHALLPEGEL ZU LAUT IST UND IHR GEHÖR DAUERHAFT SCHÄDIGEN KANN. BITTE BENUTZEN SIE BEIM EINSTELLEN DER LAUTSTÄRKE IHREN GESUNDEN MENSCHENVERSTAND.

Die KICKER KS-Lautsprecher eignen sich hervorragend als Upgrade für das werksseitige Soundsystem Ihres Fahrzeugs und liefern einen großartigen Full-Range-Sound zu einem sensationellen Preis! Ganz gleich, ob Sie die KS-Lautsprecher werkseitig einbauen lassen oder Ihre Anlage individuell anpassen, ihr hocheffizientes Design sorgt dafür, dass weniger Strom für die Musikkwiedergabe benötigt wird, während die von uns verwendeten fortschrittlichen Materialien und Konstruktionstechniken eine optimale Leistung über Jahre hinweg gewährleisten. Diese Lautsprecher sind für vielseitige Anwendungen konzipiert, ohne dass sie auf Klangqualität oder Ästhetik verzichten müssen. Und damit Sie ein unvergessliches Klangerlebnis erleben können, empfehlen wir Ihnen, diese neuen, verbesserten audiophilen Komponenten mit unseren brandneuen KEY Smart Amplifiern und einem KICKER Subwoofer zu kombinieren!

Spezifikationen

KS Component Lautsprecher

KSS269

Subwoofer [Zoll / mm]	6x9 / 160x230
Mitteltöner/Hochtöner [Zoll / mm]	2,75 / 70
Nennimpedanz [Ω]	4
Spitzenbelastbarkeit [Watt]	200
Empfohlene Verstärkerleistung [Watt RMS]	15 bis 100
Empfindlichkeit [1W, 1m]	92
Frequenzgang [Hz]	30 bis 20.000
Material des Mitteltöner-/Hochtöner-Magneten	Ferrit
Material des Mitteltöner-/Hochtöner-Konus	Kompositpapier
Umgebungsmaterial des Mitteltöners/Hochtöners	UV-behandelter Stoff
Material der Subwoofer-Membran	Polypropylen
Umgebungsmaterial des Subwoofers	Santopren
Montagebohrung für Subwoofer Durchmesser [Zoll, mm]	5-11/16x8-7/16
Tiefe der Subwoofer-Montage oben [Zoll, mm]	2-15/16, 75
Tiefe der Subwoofer-Montage unten [Zoll, mm]	3-3/16, 81
Montagebohrung Mitteltöner/Hochtöner Durchmesser [Zoll, mm]	2-3/8, 61
Tiefe der Mitteltöner-/Hochtöner-Montage oben [Zoll, mm]	1-1/4, 32
Tiefe der Mitteltöner-/Hochtöner-Montage unten [Zoll, mm]	1-3/8, 35

Hinweis: Alle Spezifikationen und Leistungsangaben können sich ändern. Die aktuellsten Informationen finden Sie auf **www.kicker.com**. Um die beste Leistung aus Ihren neuen KICKER-Lautsprechern herauszuholen, empfehlen wir die Verwendung von Original-KICKER-Zubehör und -Kabeln. Damit die Lautsprecher ihre optimale Leistung erreichen, sollten Sie eine Einspielzeit von zwei Wochen einplanen.

Installation

Konfiguration der Frequenzweiche und Verkabelung

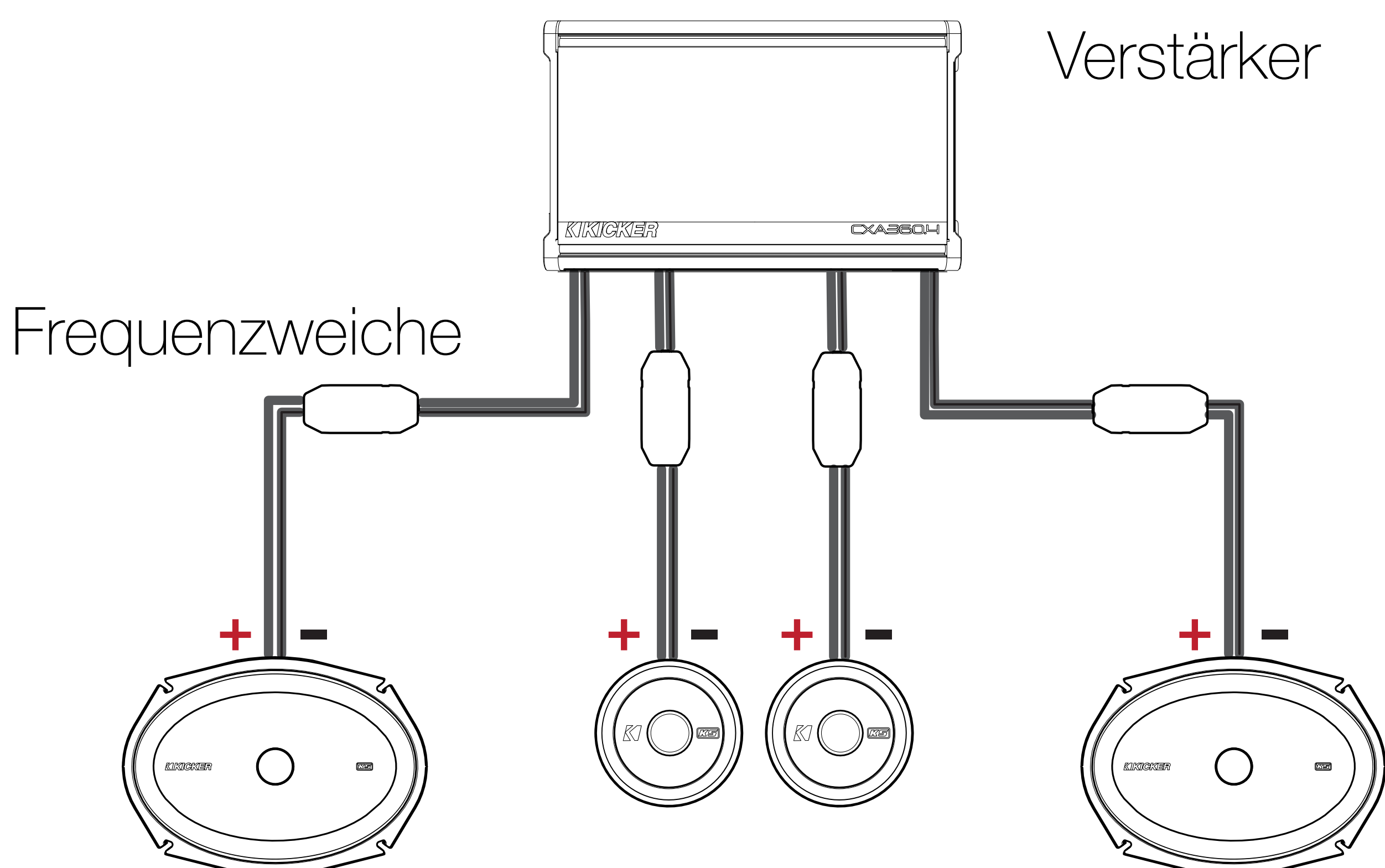
Wir empfehlen die Verwendung von Draht mit einer Stärke von 16 (oder mehr). Die KS-Lautsprecher sind für 4 Ohm ausgelegt und funktionieren mit jedem Quellgerät oder Verstärker, der für den Betrieb an einer 4-Ohm-Last ausgelegt ist. **Vergewissern Sie sich, dass Ihr Quellgerät oder Verstärker für den 4-Ohm-Betrieb ausgelegt ist.**

Verbinden Sie die Frequenzweichenanschlüsse und -buchsen mit den entsprechenden Steckern und Kabelfarben. Schieben Sie die durchsichtige Abdeckung über die Anschlüsse, um einen Kurzschluss zu verhindern. Verbinden Sie den Eingang der Frequenzweiche mit den Ausgängen des Hauptgeräts oder Verstärkers über die mitgelieferten Steckverbinder. Der Pluspol hat eine graue Isolierung und ist mit einem Plus-Symbol gekennzeichnet. Der Minuspol hat eine graue Isolierung mit einem schwarzen Streifen.

Frequenzweichen-Verkabelung

Ein Komponentensatz pro Kanal

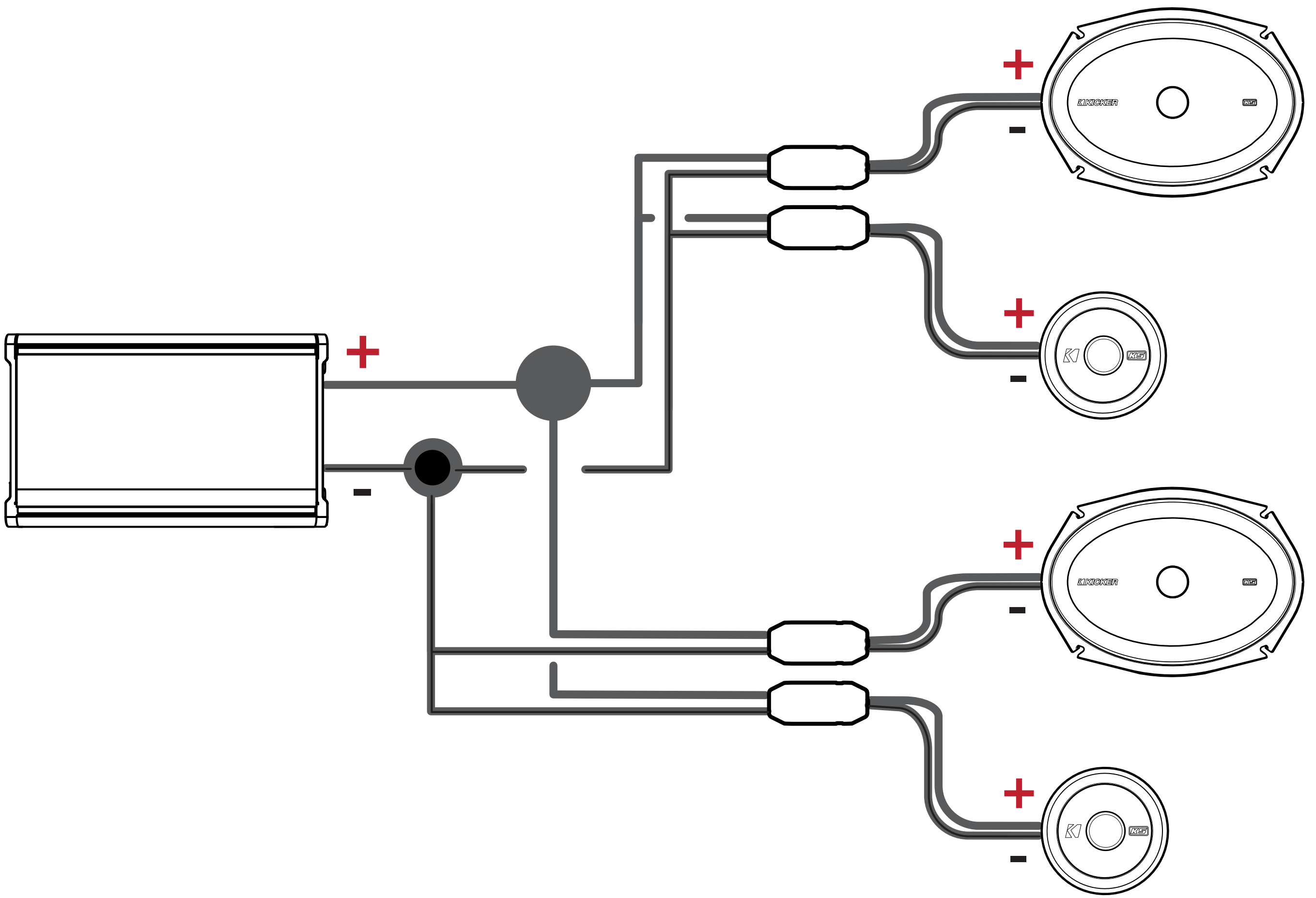
Für den Stereobetrieb werden mindestens zwei Verstärkerkanäle benötigt.



Frequenzweichen-Verkabelung

Zwei Komponentensätze pro Kanal

Für den Stereobetrieb werden mindestens zwei



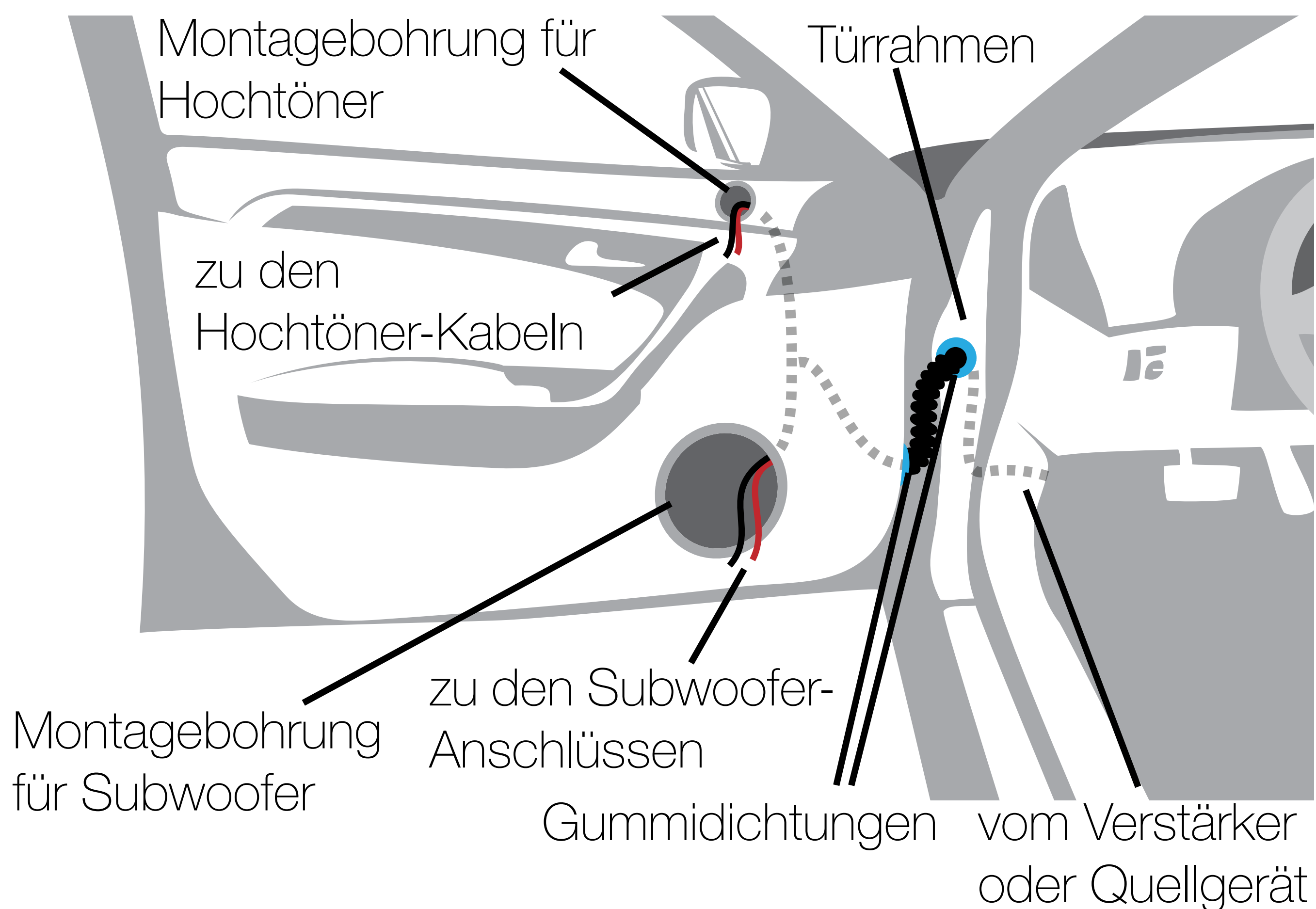
Verstärkerkanäle benötigt (nur ein Kanal wird angezeigt).

Erfordert zwei komplette KSS-Systeme (vier

Profi-Tipp: Ein KICKER KX-Verstärker und ein paar Kabel genügen, um ein komplettes System-Upgrade zu realisieren, das jedes Werkssystem in den Schatten stellt! Mit den Verstärkern der KICKER-Produktreihe können Sie Ihr vorhandenes oder serienmäßiges Quellgerät problemlos auf solide Bässe aufrüsten. Fragen Sie Ihren Händler auch nach KICKER Subwoofer-Upgrades.

Frequenzweichen-Montage

Montieren Sie die Frequenzweiche an einem Ort, der für die Verkabelung leicht zugänglich ist. Achten Sie darauf, dass die Frequenzweiche nicht mit Wasser in Berührung kommt. Der untere Bereich der Autotür ist dafür nicht geeignet. Wenn Sie die Frequenzweiche in der Autotür montieren müssen, sollten Sie vorsichtig sein, da sich unten in der Tür Wasser ansammeln kann. Bringen Sie die Frequenzweiche möglichst hoch in der Tür und vor Wasser geschützt an.



Wenn die werkseitige Verkabelung der Lautsprecher an der gewünschten Stelle nicht vorhanden ist, kann es erforderlich sein, das Lautsprecherkabel durch den Türrahmen zu führen. Das Lautsprecherkabel sollte von scharfen Kanten ferngehalten werden, damit es nicht von der Tür eingeklemmt werden kann. Für die Verlegung des Lautsprecherkabels bietet sich eine vorhandene Tülle im Türrahmen an. Wenn das werkseitige Loch und die Tülle nicht vorhanden oder unzugänglich sind, müssen Sie ein Loch bohren, um das Lautsprecherkabel durch den Türrahmen zu führen. Achten Sie darauf, dass Sie nicht in andere Leitungen oder vorhandene Türmechanismen bohren. Immer wenn ein Kabel durch ein Loch geführt wird, muss eine Gummi- oder Kunststofftülle eingesetzt werden, um das Kabel vor Beschädigungen zu schützen.

Montage der Lautsprecher

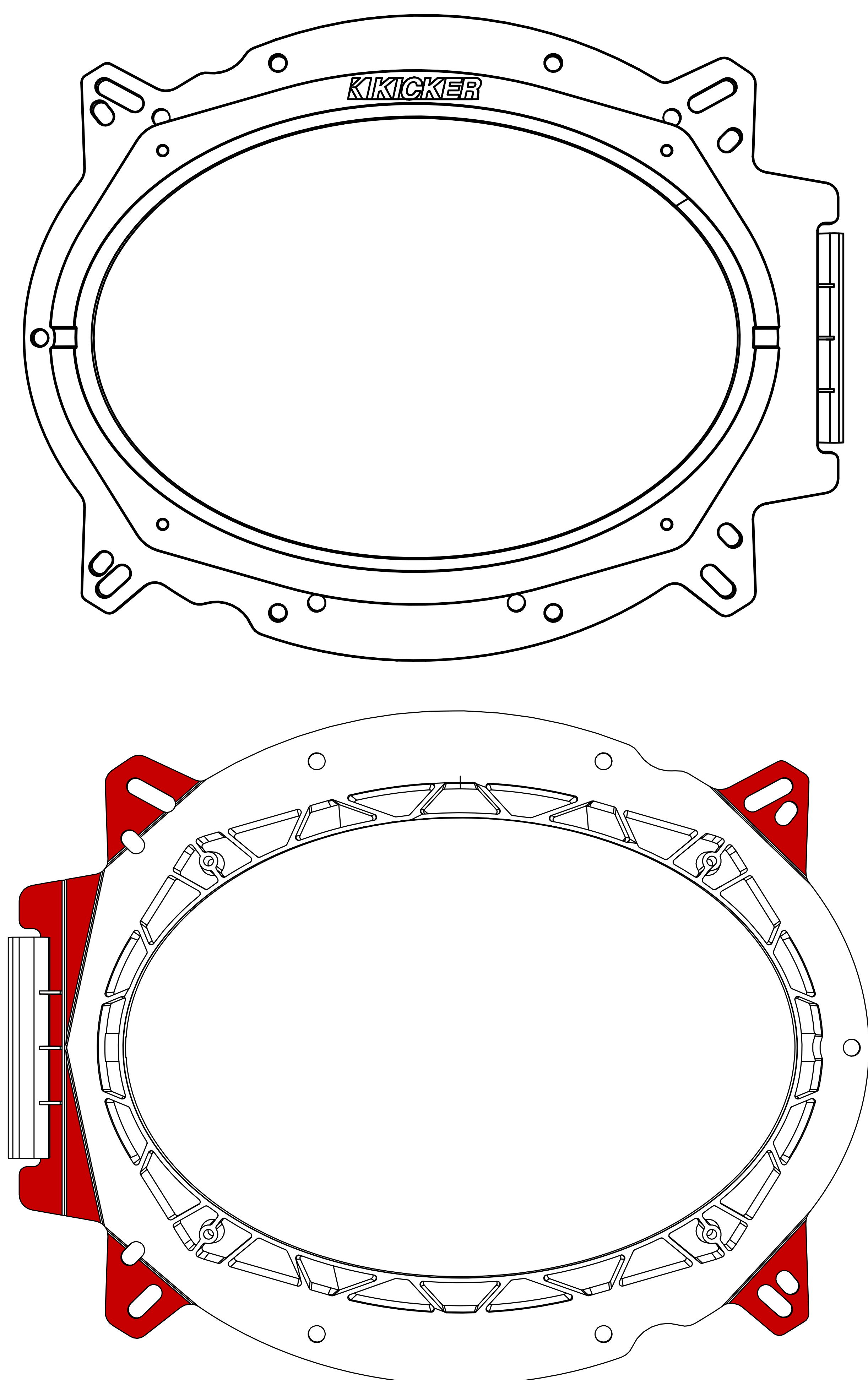
Die KICKER KS-Lautsprecher sind für Freiluftanwendungen konzipiert und benötigen daher kein geschlossenes Gehäuse, um optimale Leistungen zu erbringen. Es ist wichtig, den Sound, der von der Vorderseite des Lautsprechers kommt, von dem Sound zu isolieren, der von der Rückseite des Lautsprechers abgestrahlt wird. Dies lässt sich am einfachsten erreichen, indem Sie die Lautsprecher an den werksseitigen Stellen des Fahrzeugs oder an einem Ort mit einem halb isolierten hinteren Raum (z. B. auf der Rückbank eines Autos hinter den Rücksitzen) montieren.

Wenn Sie die Werkslautsprecher an ihrem ursprünglichen Platz ersetzen, müssen Sie möglicherweise den mitgelieferten Mehrzweckadapter verwenden oder ihn so modifizieren, dass er zu den von Ihnen benötigten Schraubenmustern passt. Möglicherweise müssen Sie auch die Lautsprecherausschnitte vergrößern und neue Schraubenlöcher mit einem 7/64-Zoll-Bit (2,5 mm) vorbohren. Individuelle Montageorte erfordern mehr Vorbereitung und Arbeit. Vergewissern Sie sich, dass der Lautsprecher die Öffnungs- und Schließmechanismen des Kofferraums und der Türen nicht beeinträchtigt und dass die beiliegenden Schrauben den Kraftstofftank nicht durchbohren, die Verkabelung nicht durchstoßen und keine anderen mechanischen Teile auf der Unterseite der Montagefläche beeinträchtigen können. Fahren Sie die Fenster ganz herunter und wieder hoch.

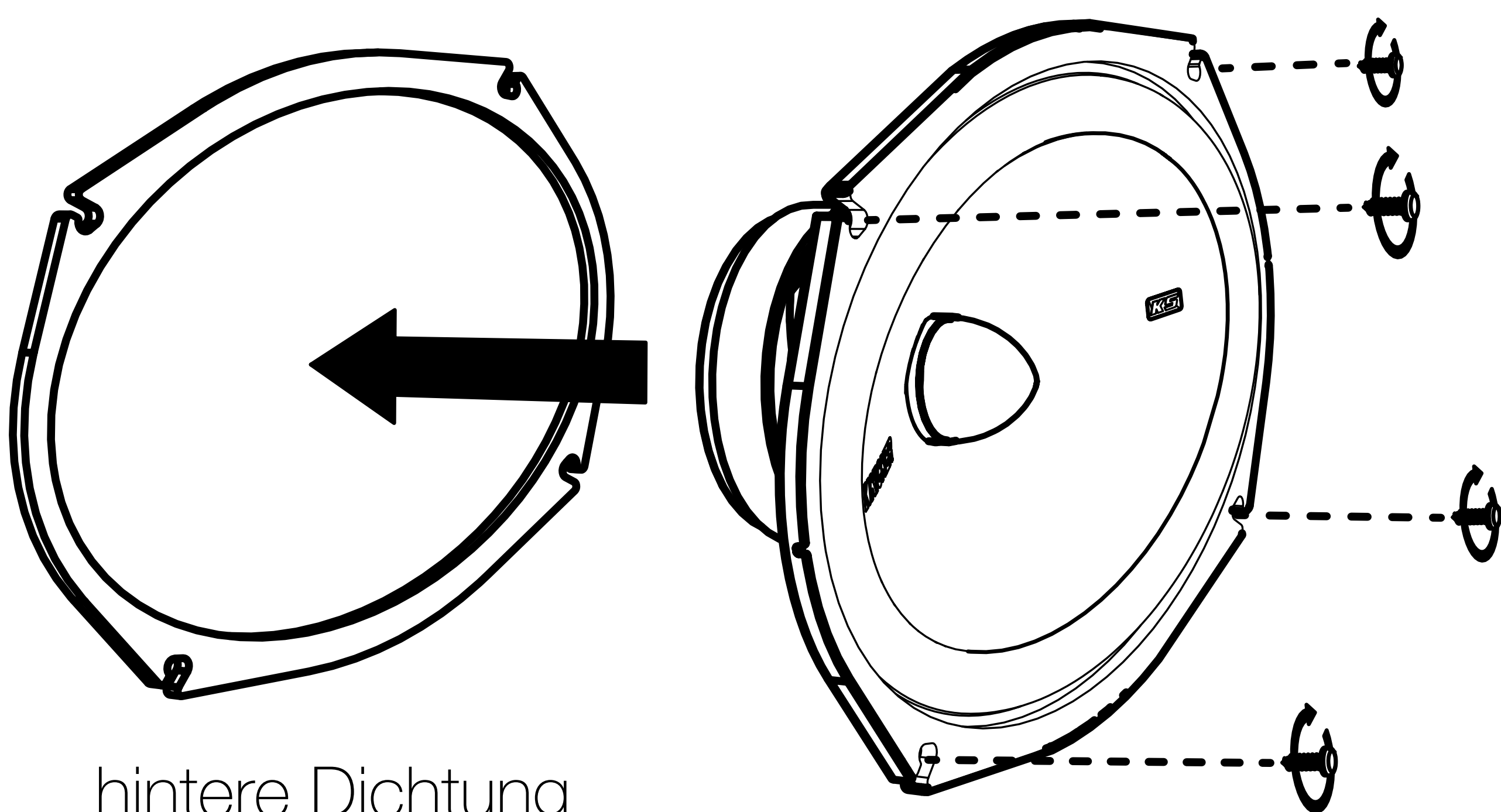
Wenn Sie für die Aussparungen der Lautsprecher Metall schneiden müssen, vermeiden Sie strukturelles Metall und Verstrebungen. Wenn der Türkörper und die Verkleidung das Gewicht des Lautsprechers nicht tragen können, sollte ein optionaler Verstärkungsring (ein dünnes Holzstück oder eine mitteldichte Faserplatte) am Türkörper befestigt oder aufgeklebt werden.

Der Multi-Bracket-Adapter hilft bei der Unterbringung der KSS-Lautsprecher an werkseitigen oder maßgefertigten Stellen. Möglicherweise müssen Sie Teile abschneiden oder den Adapter anderweitig modifizieren, um ihn an Ihr Fahrzeug oder Ihre Anwendung anzupassen. Die trimmbaren Teile sind am besten von der Rückseite aus zu sehen (unten hervorgehoben). Bei einigen Anwendungen wird der Adapter auf einer Seite an der Montageplatte befestigt. Es kann notwendig sein, den Schaumstoffdämpfer zu verwenden, um den Sitz der aufsteckbaren Seite des Adapters festzuziehen.

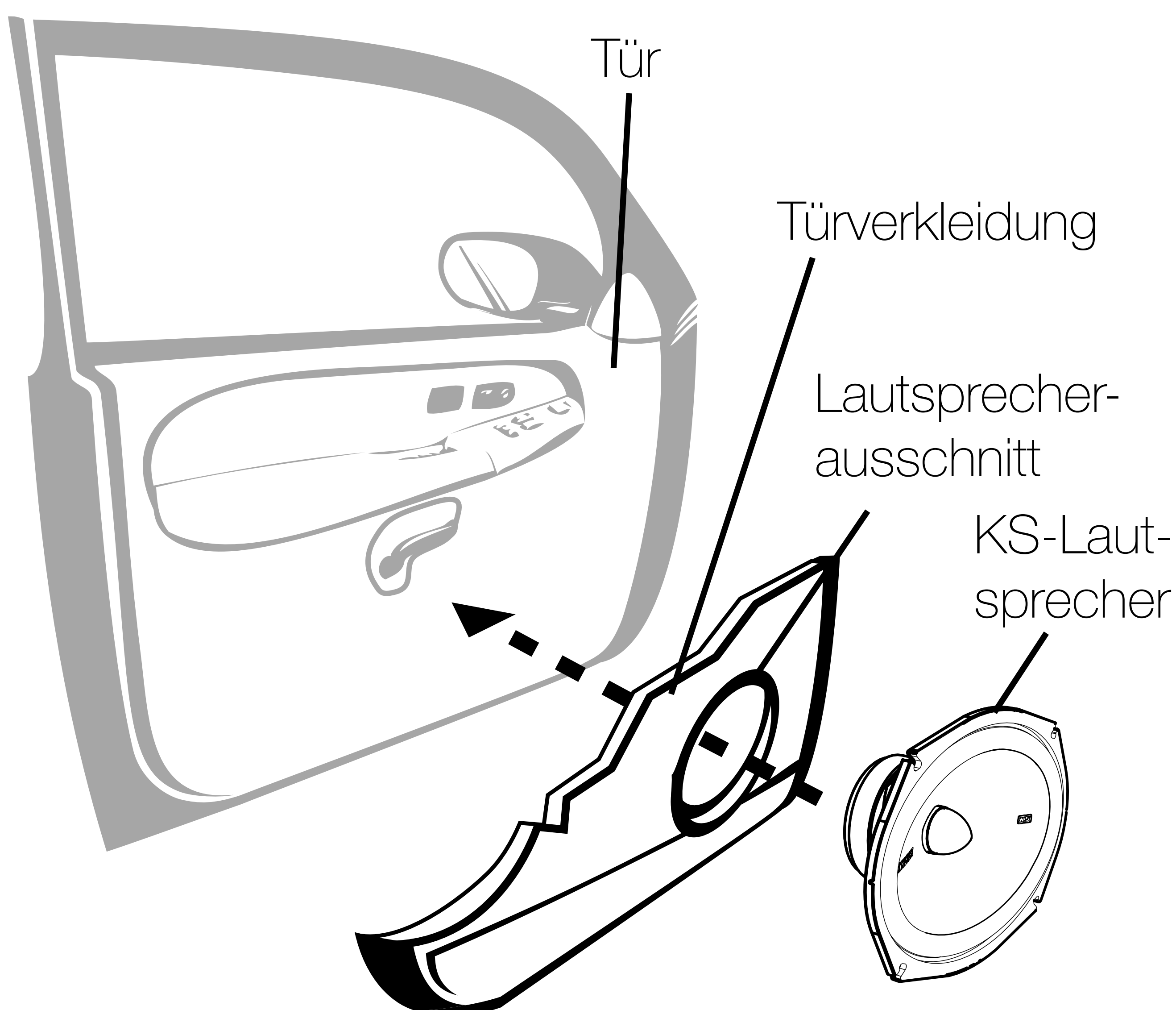
KS69-ADAPTER



Befestigen Sie den Lautsprecher am gewünschten Ort.



hintere Dichtung
(optional)



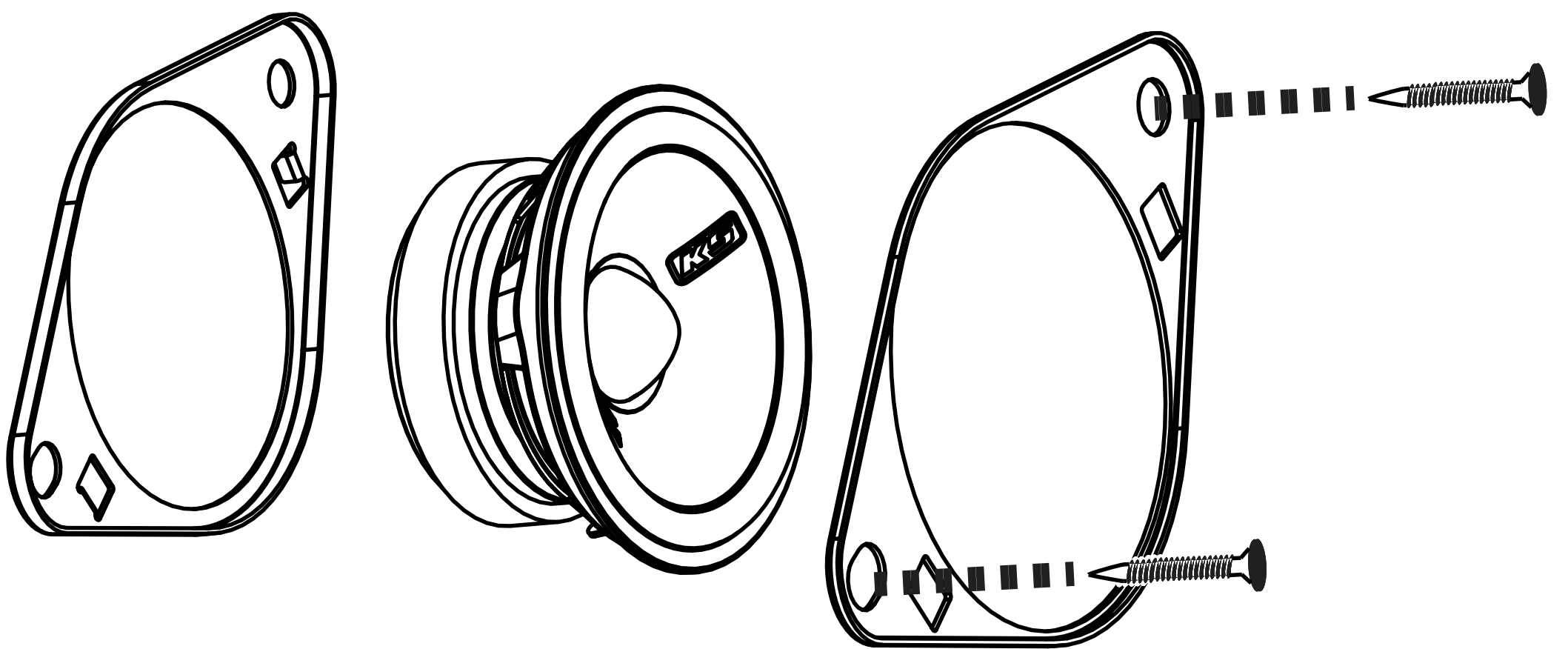
Montage Mitteltöner/Hochtöner

Der Mitteltöner/Hochtöner ist bündig eingebaut und kann mit einem der mitgelieferten Adapter montiert werden: Toyota/Subaru, Chrysler/Jeep, GM/Mopar. Wählen Sie eine flache Stelle auf der Platte mit Platz hinter der Platte, um Raum für die Motorstruktur und den Hochtöner zu schaffen. Nachdem Sie die Abstände überprüft haben, schneiden Sie ein Montageloch mit einem Durchmesser von 44 mm (1-3/4 Zoll) in die Platte. Wenn Sie einen Adapter verwenden, setzen Sie den Adapterflansch auf die Oberfläche. Führen Sie das Kabel durch den Adapterflansch und das Loch in der Platte. Sichern Sie den Lautsprecher, indem Sie die mitgelieferten Schrauben durch die Adapterhalterung, den Hochtöner und den Adapterflansch schrauben.

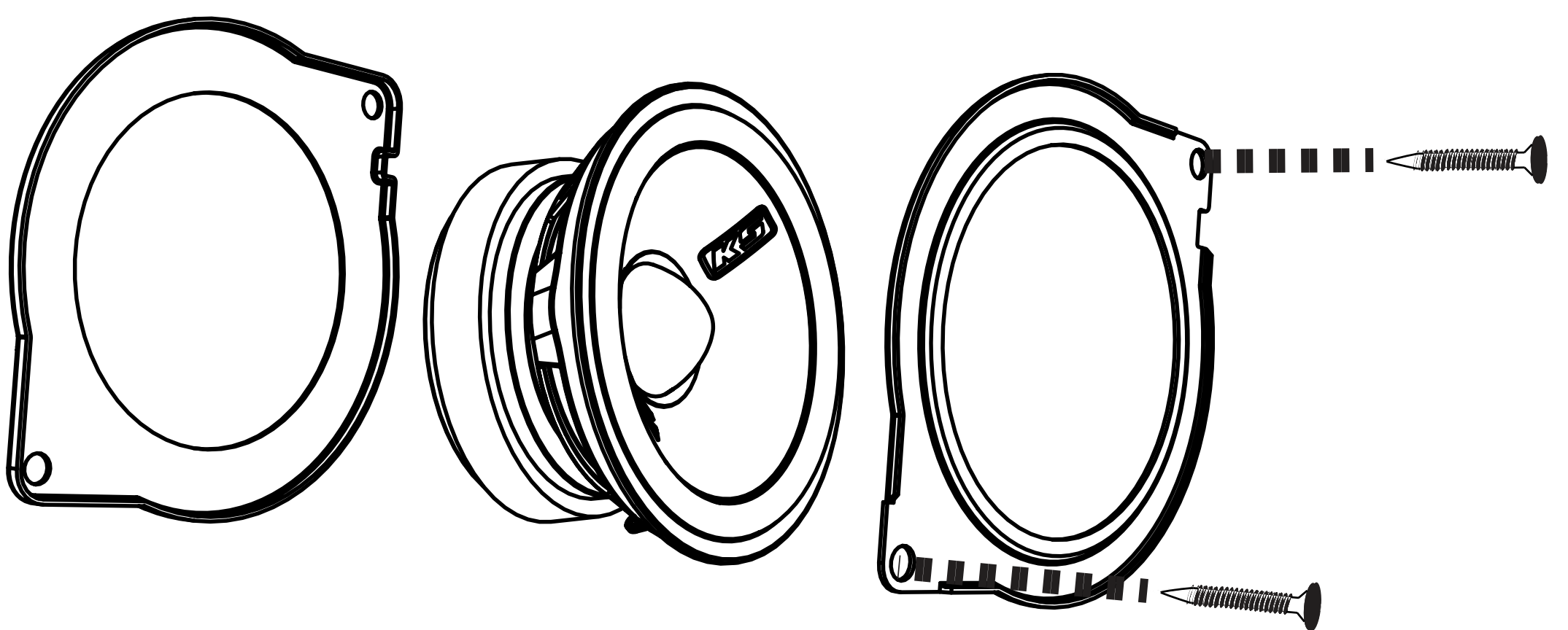
Flansch

Halterung

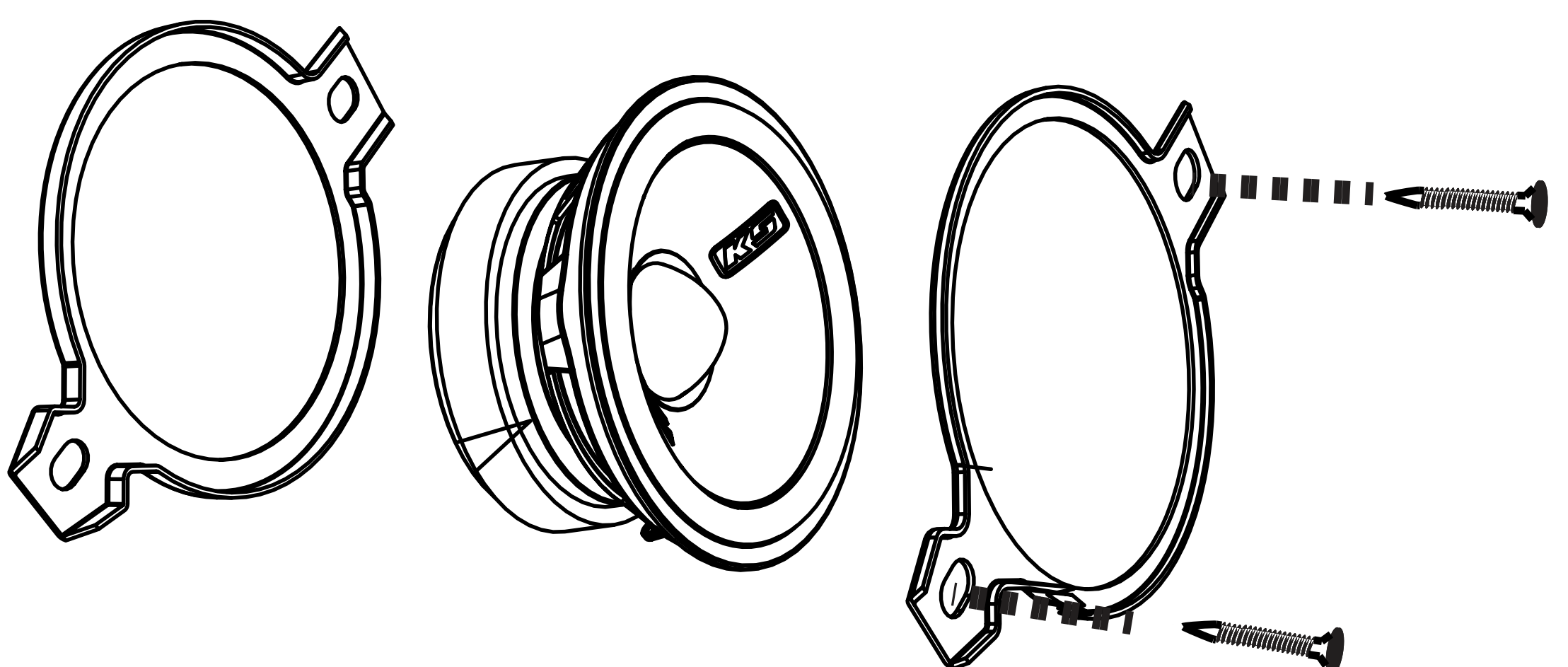
Toyota/Subaru



Chrysler/Jeep



GM/Mopar



Garantía | Garantie

Contact your International KICKER dealer or distributor concerning specific procedures for your country's warranty policies.

Our goods come with guarantees that cannot be excluded under the **Australian Consumer Law**. You are entitled to a replacement or refund for a major failure and for compensation for any other reasonably foreseeable loss or damage. You are also entitled to have the goods repaired or replaced if the goods fail to be of acceptable quality and the failure does not amount to a major failure.

GARANTÍA INTERNACIONAL **Versión Español**

Comuníquese con su concesionario o distribuidor KICKER internacional para obtener información sobre procedimientos específicos relacionados con las normas de garantía de su país.

La frase "combustible para vivir la vida Livin' Loud™ a todo volumen" se refiere al entusiasmo por la vida que la marca KICKER de estéreos de automóvil representa y a la recomendación a nuestros clientes de que vivan lo mejor posible ("a todo volumen") en todo sentido. La línea de altavoces y amplificadores KICKER es la mejor del mercado de audio de automóviles y por lo tanto representa el "combustible" para vivir a todo volumen en el área de "estéreos de automóvil" de la vida de nuestros clientes. Recomendamos a todos nuestros clientes que obedezcan todas las reglas y reglamentos locales sobre ruido en cuanto a los niveles legales y apropiados de audición fuera del vehículo.

INTERNATIONALE GARANTIE **Deutsche Version**

Nehmen Sie mit Ihren internationalen KICKER-Fachhändler oder Vertrieb Kontakt auf, um Details über die Garantieleistungen in Ihrem Land zu erfahren.

Der Slogan "Treibstoff für Livin' Loud" bezieht sich auf die mit den KICKER-Autostereosystemen assoziierte Lebensfreude und die Tatsache, dass wir unsere Kunden ermutigen, in allen Aspekten ihres Lebens nach dem Besten ("Livin' Loud") zu streben. Die Lautsprecher und Verstärker von KICKER sind auf dem Markt für Auto-Soundsysteme führend und stellen somit den "Treibstoff" für das Autostereoerlebnis unserer Kunden dar. Wir empfehlen allen unseren Kunden, sich bezüglich der zugelassenen und passenden Lautstärkepegel außerhalb des Autos an die örtlichen Lärmvorschriften zu halten.

GARANTIE INTERNATIONALE **Version Française**

Pour connaître les procédures propres à la politique de garantie de votre pays, contactez votre revendeur ou distributeur International KICKER.

L'expression "carburant pour vivre plein pot" fait référence au dynamisme de la marque KICKER d'équipements audio pour véhicules et a pour but d'encourager nos clients à faire le maximum ("vivre plein pot") dans tous les aspects de leur vie. Les haut-parleurs et amplificateurs KICKER sont les meilleurs dans le domaine des équipements audio et représentent donc pour nos clients le "carburant pour vivre plein pot" dans l'aspect "installation audio de véhicule" de leur vie. Nous encourageons tous nos clients à respecter toutes les lois et réglementations locales relatives aux niveaux sonores acceptables à l'extérieur des véhicules.

P.O. Box 459

Stillwater, Oklahoma 74076

USA

(405) 624-8510

 **stillwaterdesigns**