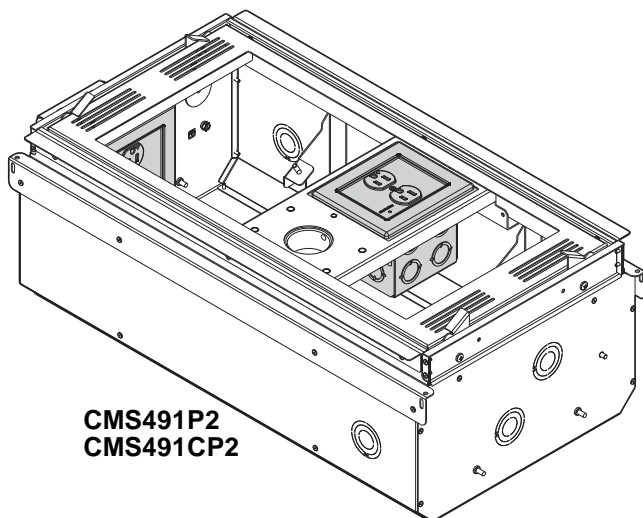
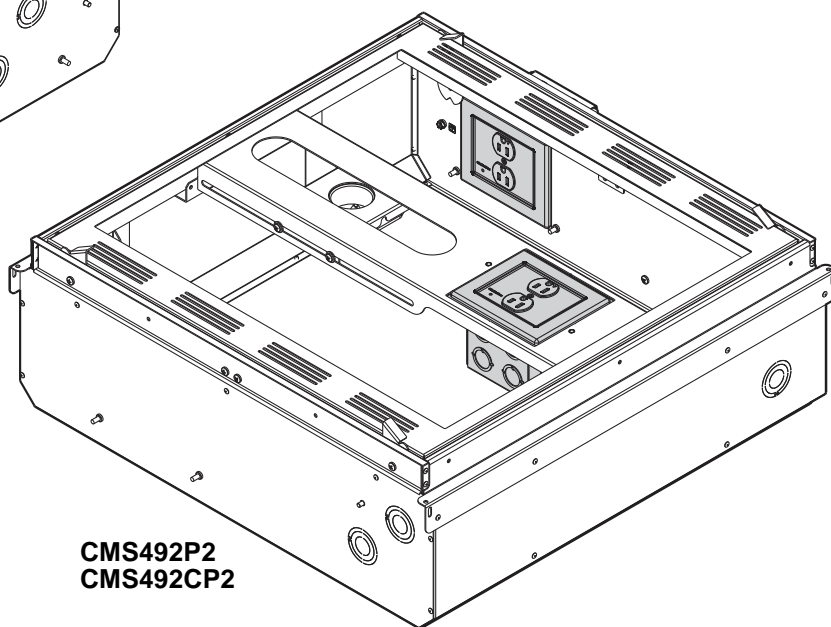

INSTALLATION INSTRUCTIONS ADDENDUM



CMS491P2
CMS491CP2



CMS492P2
CMS492CP2

Powered Ceiling Storage Boxes

DISCLAIMER

Milestone AV Technologies, and its affiliated corporations and subsidiaries (collectively, "Milestone"), intend to make this manual accurate and complete. However, Milestone makes no claim that the information contained herein covers all details, conditions or variations, nor does it provide for every possible contingency in connection with the installation or use of this product. The information contained in this document is subject to change without notice or obligation of any kind. Milestone makes no representation of warranty, expressed or implied, regarding the information contained herein. Milestone assumes no responsibility for accuracy, completeness or sufficiency of the information contained in this document.

Chief® is a registered trademark of Milestone AV Technologies. All rights reserved.



IMPORTANT SAFETY INSTRUCTIONS



WARNING alerts you to the possibility of serious injury or death if you do not follow the instructions.



CAUTION alerts you to the possibility of damage or destruction of equipment if you do not follow the corresponding instructions.



WARNING: FAILURE TO READ AND FOLLOW THE FOLLOWING INSTRUCTIONS CAN RESULT IN SERIOUS PERSONAL INJURY, DAMAGE TO EQUIPMENT OR VOIDING OF FACTORY WARRANTY. It is the installer's responsibility to make sure all components are properly assembled and installed using the instructions provided.

READ ALL INSTRUCTIONS BEFORE USING THIS PRODUCT!!!!



DANGER: TO REDUCE THE RISK OF ELECTRIC SHOCK:

1. Always turn off power at source before installing the outlet.



WARNING: TO REDUCE THE RISK OF BURNS, FIRE, ELECTRIC SHOCK, OR INJURY TO PERSONS:

- Always turn off power at source before servicing or removing the outlet.
- Do not use outdoors - for indoor use only!
- Route cables as shown in these installation instructions.
- To disconnect, turn off power at source.



WARNING: RISK OF ELECTRIC SHOCK! Make sure the outlet is properly grounded. See Grounding Instructions.



WARNING: Failure to provide adequate structural strength for this outlet can result in serious personal injury or damage to equipment! It is the installer's responsibility to make sure the structure to which this outlet is attached can support the weight of the box.



CAUTION: This equipment must be installed and assembled by qualified service personnel in accordance with local building and electrical codes.

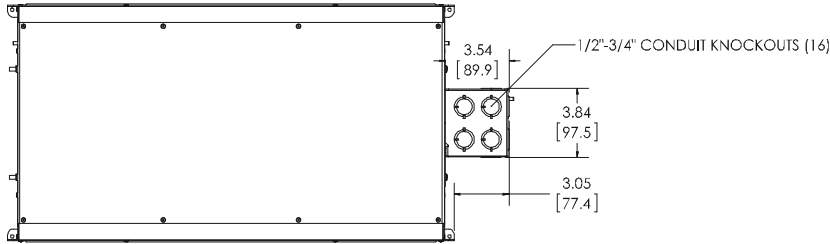
NOTE: Knockouts are provided for ease of installation. Any unused knockouts that have been punched are to be closed up with a metal plug.

NOTE: Ambient Temperature - The manufacturer's maximum ambient temperature is 104°F (40°C) and minimum ambient temperature is 30°F (-1°C) so that the installer is able to determine acceptability of use of Accessories and components.

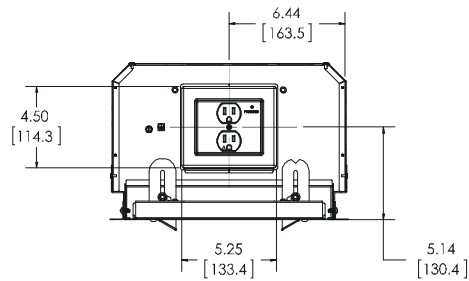
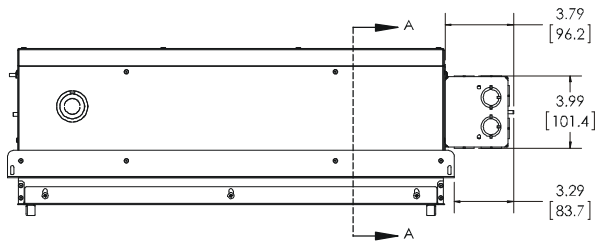
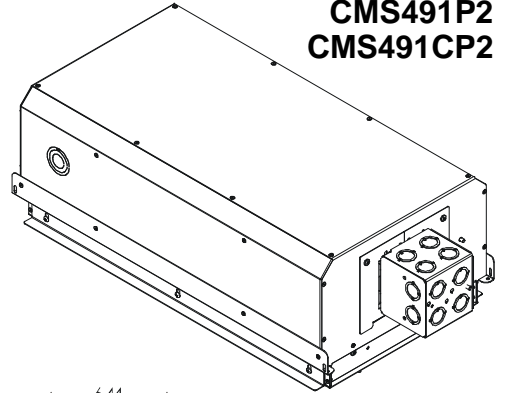
--SAVE THESE INSTRUCTIONS--

DIMENSIONS

SEE CMS491 FOR BOX DIMENSIONS

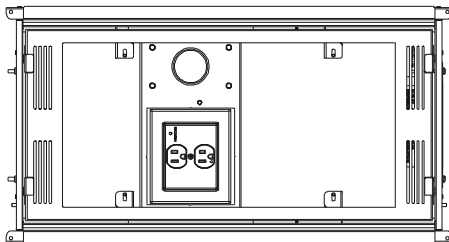
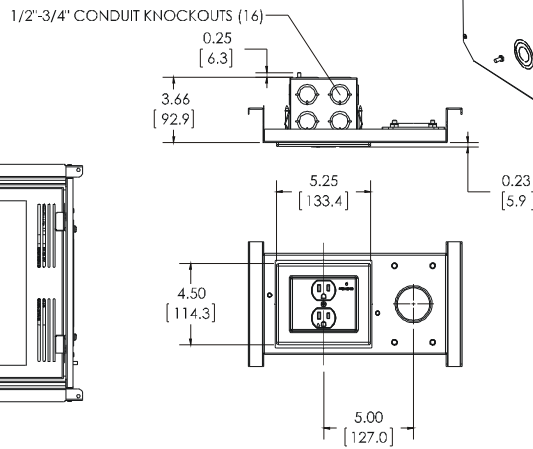
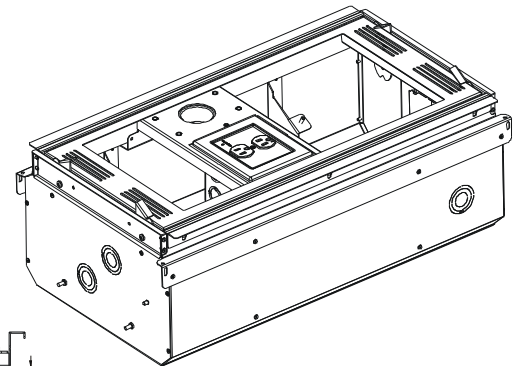
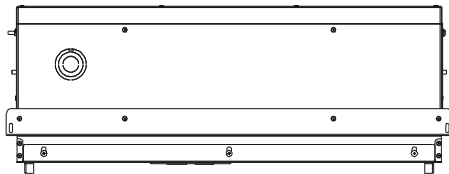


**CMS491P2
CMS491CP2**



- AC LINE POWER CONDITIONER 125 V~, 60 Hz, 15 A
- 4x14 AWG STRANDED WIRE W/ ISOLATED GROUND
- SURGE PROTECTION
- EMI/RFI FILTERING
- POWER CONSUMPTION: <0.5 WATT

SEE CMS491C FOR BOX DIMENSIONS

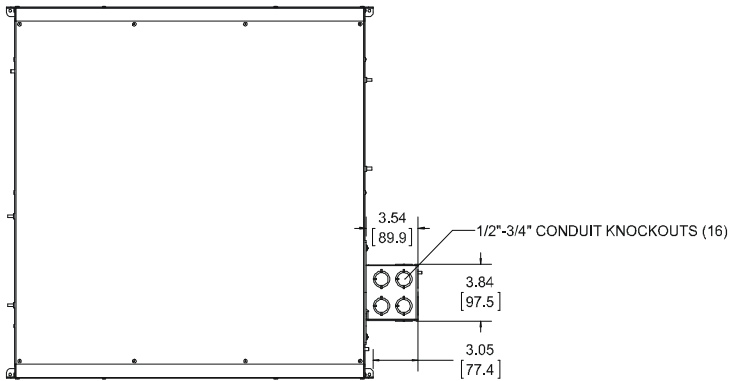


- AC LINE POWER CONDITIONER 125 V~, 60 Hz, 15 A
- 4x14 AWG STRANDED WIRE W/ ISOLATED GROUND
- SURGE PROTECTION
- EMI/RFI FILTERING
- POWER CONSUMPTION: <0.5 WATT

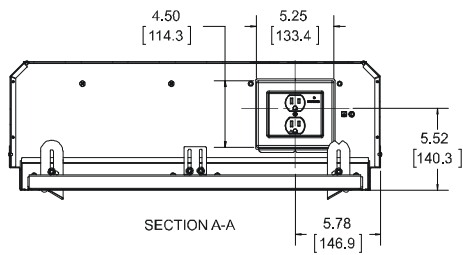
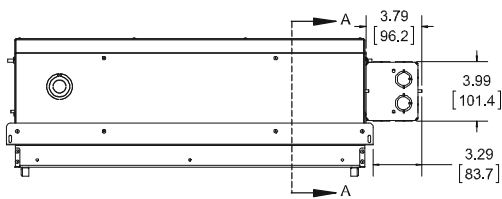
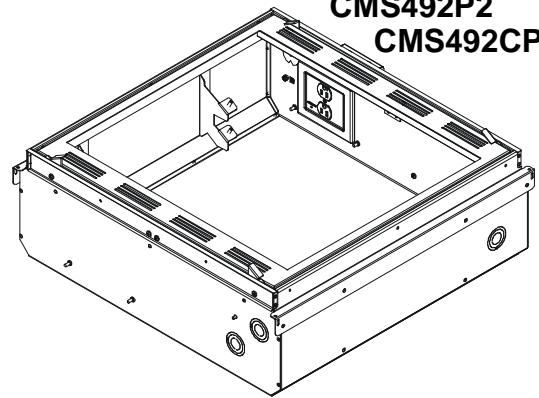
DIMENSIONS: INCHES
[MILLIMETERS]

DIMENSIONS - continued

SEE CMS492 FOR BOX DIMENSIONS

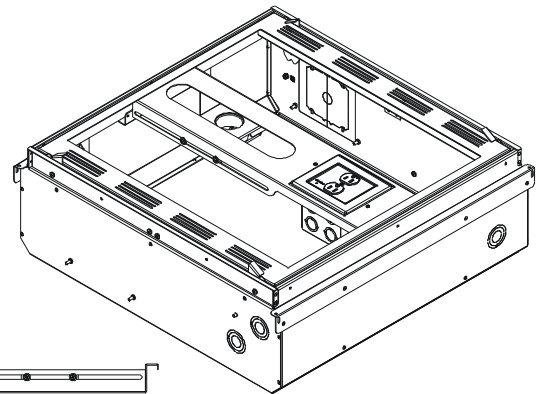
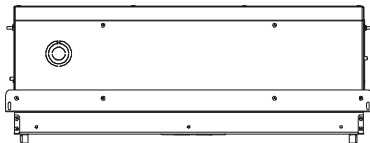


**CMS492P2
CMS492CP2**

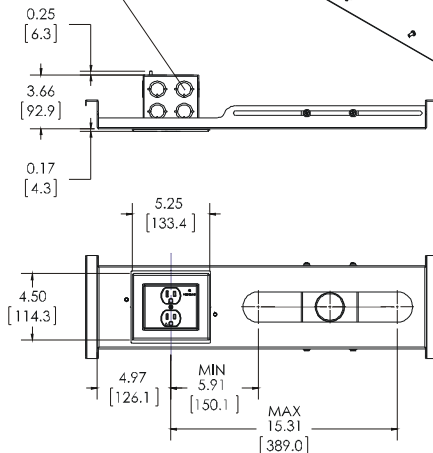
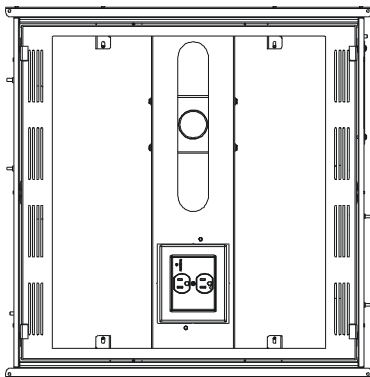


- AC LINE POWER CONDITIONER 125 V~, 60 Hz, 15 A
- 4x14 AWG STRANDED WIRE W/ ISOLATED GROUND
- SURGE PROTECTION
- EMI/RFI FILTERING
- POWER CONSUMPTION: <0.5 WATT

SEE CMS492C FOR BOX DIMENSIONS





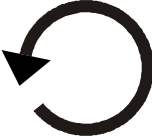

1/2"-3/4" CONDUIT KNOCKOUTS (16)



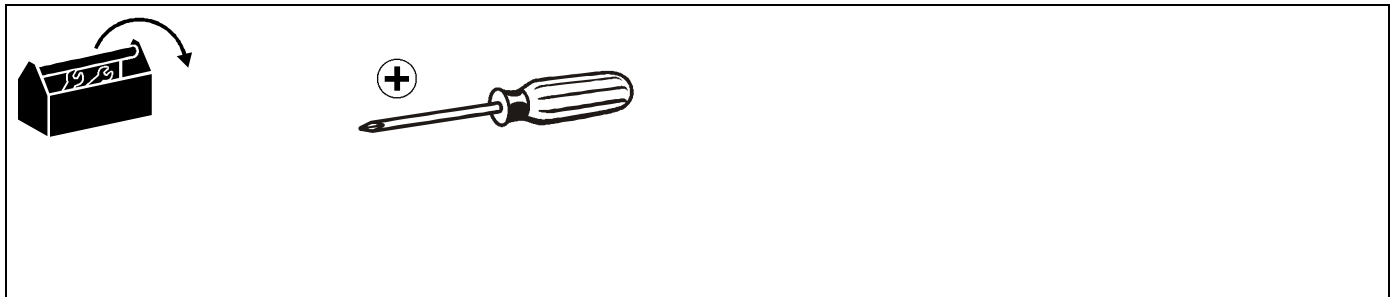
- AC LINE POWER CONDITIONER 125 V~, 60 Hz, 15 A
- 4x14 AWG STRANDED WIRE W/ ISOLATED GROUND
- SURGE PROTECTION
- EMI/RFI FILTERING
- POWER CONSUMPTION: <0.5 WATT

DIMENSIONS: INCHES
[MILLIMETERS]

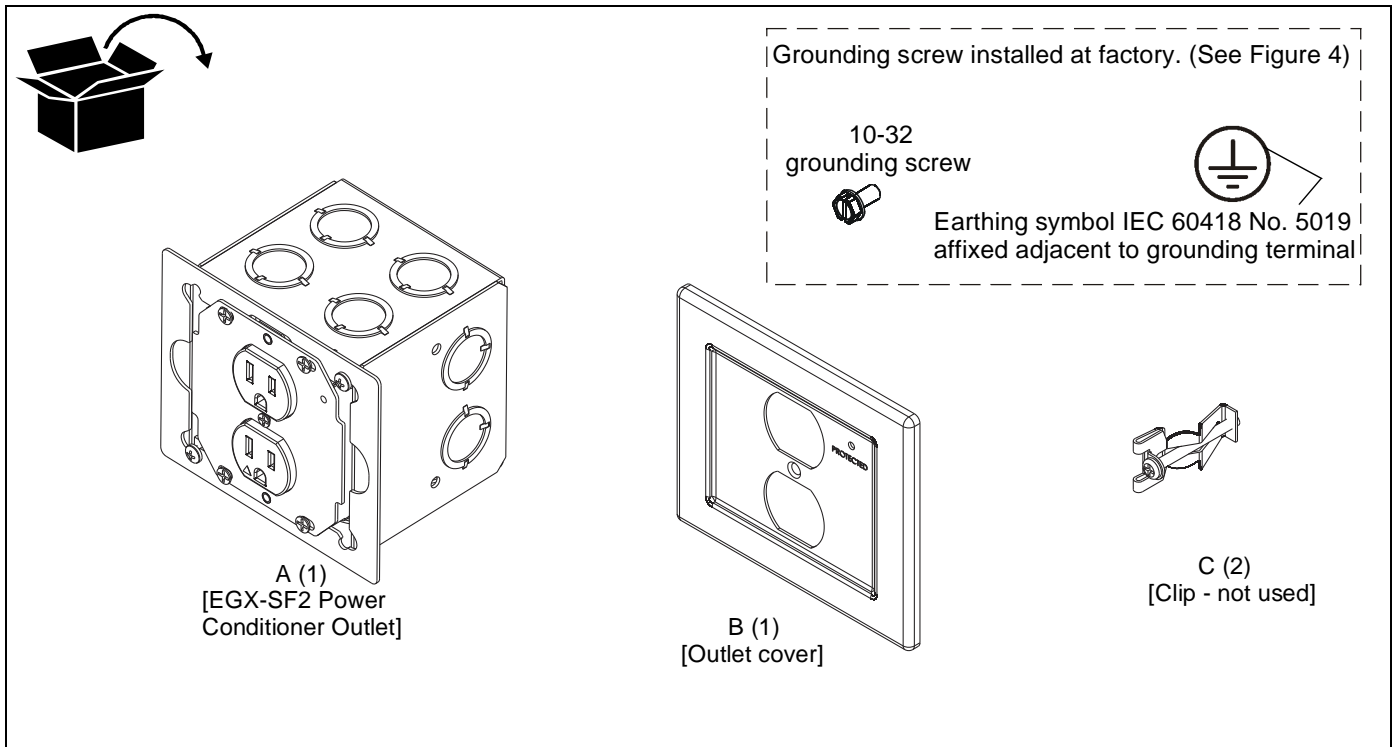
LEGEND

	Tighten Fastener		Phillips Screwdriver
	Apretar elemento de fijación		Destornillador Phillips
	Befestigungsteil festziehen		Kreuzschlitzschraubendreher
	Apertar fixador		Chave de fendas Phillips
	Serrare il fissaggio		Cacciavite a stella
	Bevestiging vastdraaien		Kruiskopschroevendraaier
Serrez les fixations	Tournevis à pointe cruciforme		
	Loosen Fastener		Adjust
	Aflojar elemento de fijación		Ajustar
	Befestigungsteil lösen		Einstellen
	Desapertar fixador		Ajustar
	Allentare il fissaggio		Regolare
	Bevestiging losdraaien		Afstellen
Desserrez les fixations	Ajuster		

TOOLS REQUIRED FOR INSTALLATION



PARTS



Isolated Ground Receptacle

This product incorporates an isolated ground receptacle, identified by the orange triangle on its face. This feature may be useful to reduce common noise in the connected equipment. Its intended use is to reduce electrical noise (electromagnetic interference) by purposely insulating the grounding circuit from any metallic wiring system. The ground pin of the receptacle is connected to the green/yellow wire and is isolated from the metal mounting yoke of the receptacle. The accessible metal of the product is connected to the green wire. If it is not desired to use this feature, connect the green/yellow and green wires together.

References

Application Guide for Isolated Ground Wiring Devices 2007, National Electrical Manufacturers Association (NEMA)

IEEE Std 1100™-2005, "IEEE Recommended Practice for Powering and Grounding Electronic Equipment" (Emerald Book), Section 8.5.3.2.

IEEE Std 142™-2007, "IEEE Recommended Practice for Grounding of Industrial and Commercial Power Systems" (Green Book), Sections 5.5.1, 5.5.2

NFPA-70, "National Electrical Code", Article 250.146 Connecting Receptacle Grounding Terminal to Box.

- (D) Isolated Ground Receptacles. Where installed for the reduction of electrical noise (electromagnetic interference) on the grounding circuit, a receptacle in which the grounding terminal is purposefully insulated from the receptacle mounting means shall be permitted. The receptacle grounding terminal shall be connected to an insulated equipment grounding conductor run with the circuit conductors. This equipment grounding conductor shall be permitted to pass through one or more panel boards without a connection to the panel board grounding terminal bar as permitted in 408.40, Exception, so as to terminate within the same building or structure directly at an equipment grounding conductor terminal of the applicable derived system or service. Where installed in accordance with the provisions of this section, this equipment grounding conductor shall also be permitted to pass through boxes, wire ways, or other enclosures without being connected to such enclosures.
- Informational Note: Use of an isolated equipment grounding conductor does not relieve the requirement for grounding the raceway system and outlet box.

C22.2 No. 1, "Canadian Electrical Code, Part 1", Rule 10-906 Bonding conductor connection to circuits and equipment.

- (6) A bonding jumper shall be installed to connect the bonding conductor to the grounding terminal of a receptacle and in such a manner that disconnection or removal of the receptacle will not interfere with, or interrupt grounding continuity.
- (7) In the case of metallically enclosed systems where the grounding path is provided by the metal enclosure, a bonding jumper shall be installed to bond the grounding terminal of the receptacle to the enclosure.
- (8) Notwithstanding Sub-rules (6) and (7), the bonding jumper, in the case of receptacles having grounding terminals isolated from the mounting strap required for special equipment, shall be

permitted to be extended directly back to the distribution panel.



WARNING: IMPROPER INSTALLATION CAN RESULT IN DEATH OR SERIOUS PERSONAL INJURY! This mounting system should be installed by qualified personnel.

IMPORTANT ! : In addition to the CMS491/CMS491C/ CMS492/CMS492C installation instructions accompanying the products, the following steps must also be taken when installing the **CMS491P2, CMS491CP2, CMS492P2, and CMS492CP2.**

The CMS491P2, CMS491CP2, CMS492P2, and CMS492CP2 must be connected to a 15 Amp branch circuit.

Installing EGX-SF2

1. Loosen two Phillips head screws holding EGX-SF2 (A) outlet box to outer housing. (See Figure 1)
2. Rotate outlet box counter-clockwise until it is free to be removed from housing. (See Figure 1)
3. Remove outlet box from housing. (See Figure 1)

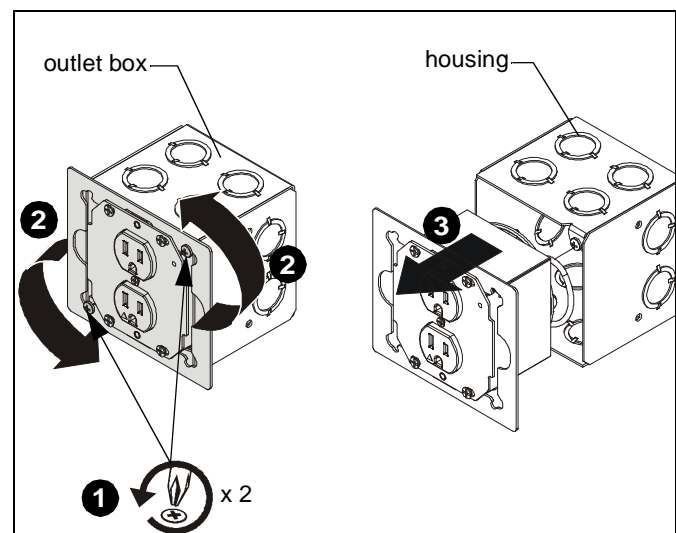


Figure 1

- Wire the EGX-SF2 outlet box as required making sure the wiring passes through the outlet hole in the housing. Refer to Table 1 and Table 2 for input and output specifications. (See Figure 2)

Table 1: Input Specifications

Input	
Input voltage, frequency	125 V AC, 60 Hz
Input connection type	4x14 AWG stranded, UL Style 1015, CSA TEW
Input Wire colors	Black - Line White - Neutral Green - Box Ground Green/Yellow - Isolated Ground
Input wire length (ft.)	1 (with a 3/4" stripped end)

Table 2: Output Specifications

Output	
Output	15 A, 1875 W
Power consumption	<0.5 watt
Fuses	Thermal current interrupting circuits are in MOVs
Quantity/Type	Duplex NEMA 5-15R Isolated Ground Receptacle
Color/Markings	Grey with protection symbol (Orange triangle)



CAUTION: Isolated ground-mounting means NOT grounded. Grounding wire connection required.

IMPORTANT ! : If a separate isolated green/yellow ground wire is installed in the building wiring, attach it separately to the green/yellow isolated ground wire on box. If there is no separate green/yellow isolated ground wire, connect green ground wire to both green/yellow isolated ground wire and green box ground wire on box.

NOTE: The grounding conductors serving this outlet are to be connected to earth ground at the service equipment or other acceptable building earth ground such as the building frame in the case of a high-rise steel-frame structure. Connections should be made with minimum AWG 14 copper wire intended for use on a 15 Amp circuit. The conductors used to connect the outlet to the line and to ground shall not be any longer than necessary and shall avoid unnecessary bends.

NOTE: An insulated grounding conductor that is identical in size and insulation material and thickness to the grounded and ungrounded circuit supply conductors, except that it is green with or without one or more yellow stripes, is to be installed as part of the circuit that supplies the outlet. Refer to Table 250-122 of the National Electrical Code regarding the appropriate size of the grounding conductor.

NOTE: Pressure terminal or pressure splicing connectors and soldering lugs used in the installation of the outlet shall be identified as being suitable for the material of the conductors. Conductors of dissimilar metals shall not be intermixed in a terminal or splicing connector where physical contact occurs between dissimilar conductors unless the device is identified for the purpose and conditions of use.

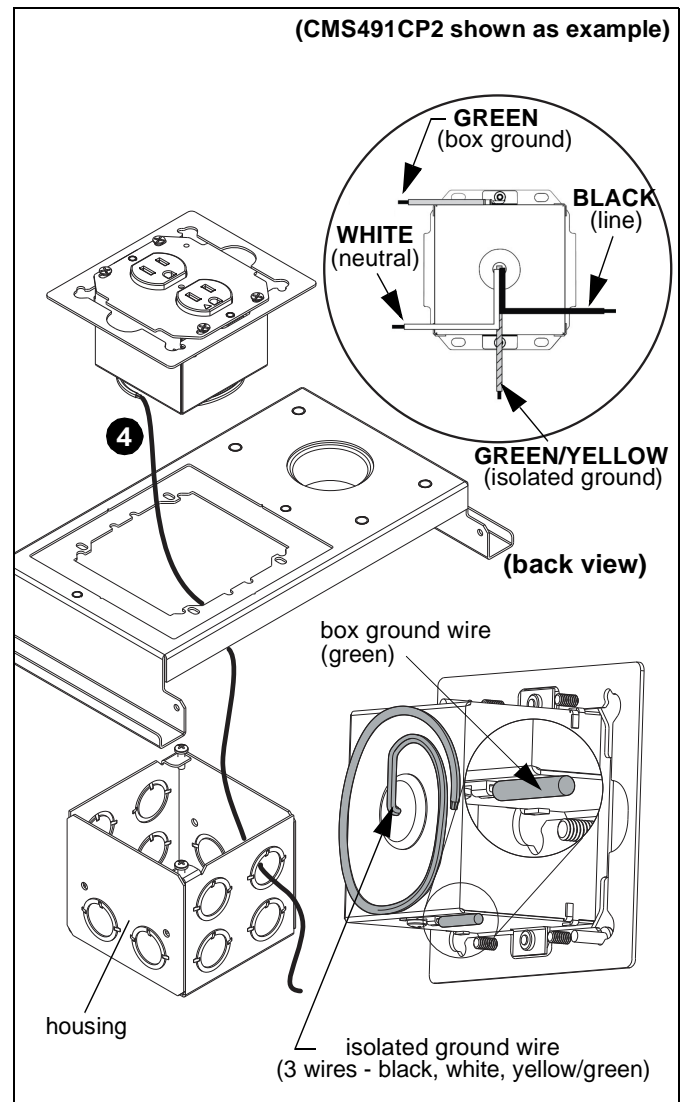


Figure 2

5. Position the EGX-SF2 housing into side opening of CMS491/CMS492; (See Figure 4) OR, into top of projector mount plate in the CMS491C/CMS492C underneath the opening where the outlet box will be reattached. (See Figure 3) OR (See Figure 4)
6. Reinstall outlet box in the EGX-SF2 housing. (See Figure 3) OR (See Figure 4)
7. Rotate outlet box clockwise until it is in proper position to be secured to the EGX-SF2 housing. (See Figure 3) OR (See Figure 4)
8. Tighten two Phillips screws to secure outlet box to EGX-SF2 housing. (See Figure 3) OR (See Figure 4)

9. Make sure grounding screw is properly installed. (See Figure 5)



WARNING: ELECTRICAL SHOCK HAZARD! Turn off power to device before performing service or connecting to outlet.

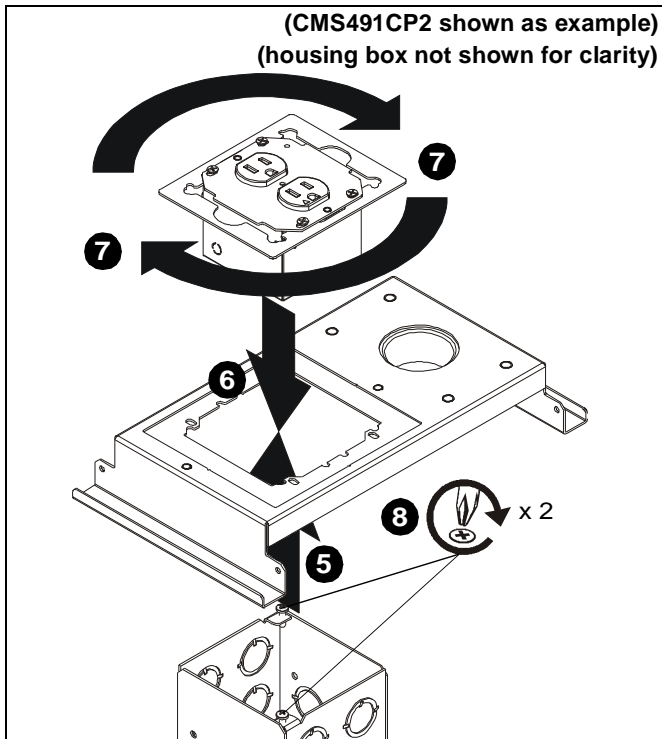


Figure 3

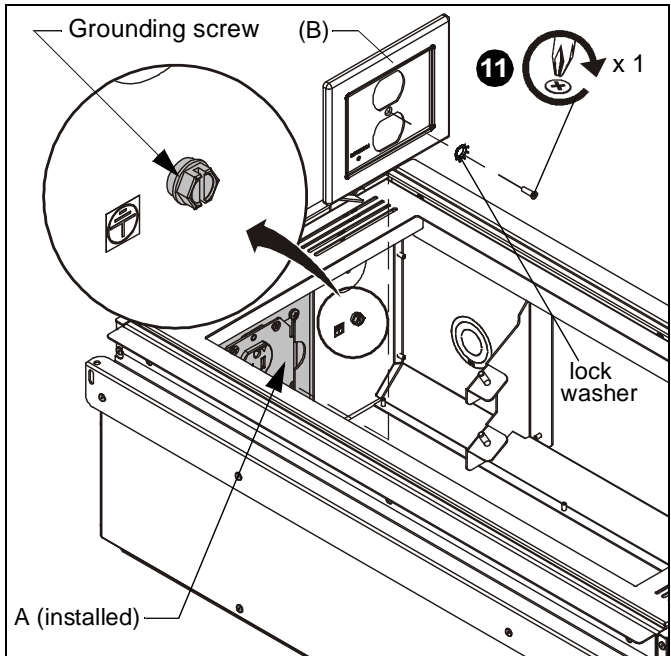


Figure 5

10. Remove 6-32 x 1/2" Phillips flat head screw and lock washer from front of EGX-SF2 box. (See Figure 6)

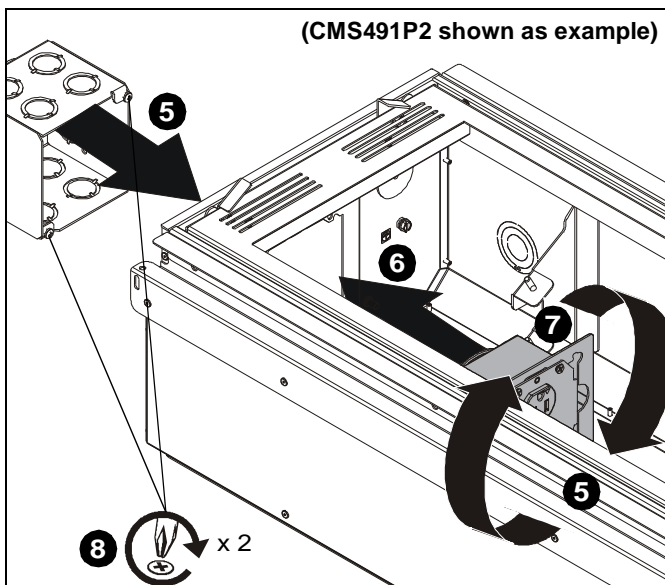


Figure 4

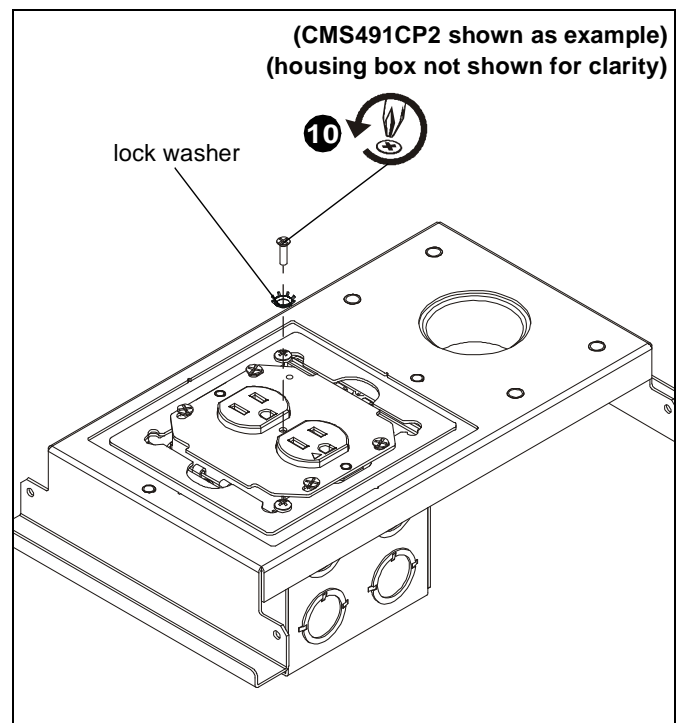


Figure 6

11. Install faceplate (B) onto EGX-SF2 using one 6-32 x 1/2" Phillips flat head screw and lock washer previously removed from front of box. (See Figure 5) or (See Figure 7)

NOTE: Make sure LED light on outlet box lines up with hole location on faceplate (B). (See Figure 7)

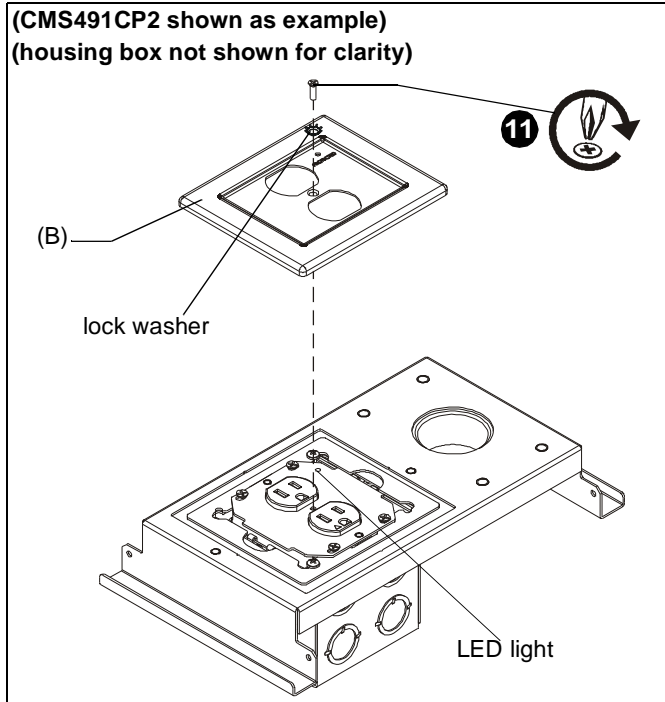


Figure 7

Outlet Box Use

NOTE: The “PROTECTED” light indicates that the surge protection circuitry is active and operational.

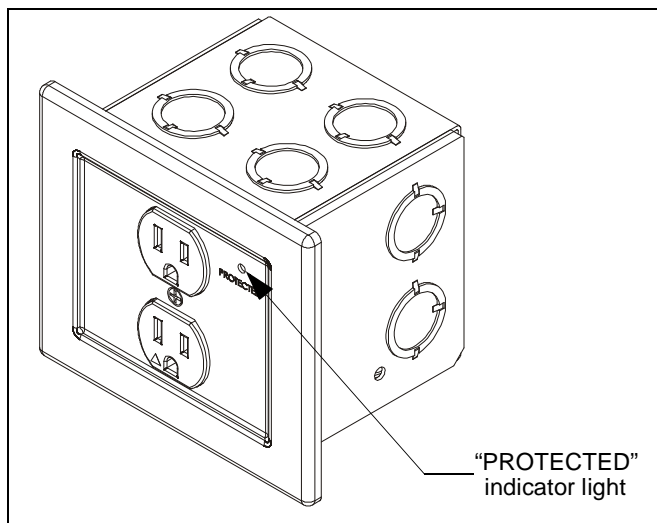


Figure 8



Our Mounts. **Your Vision.**

Chief, a products division of
Milestone AV Technologies

8800-002794 Rev00
©2016 Milestone AV Technologies
www.chiefmfg.com
03/16

USA/International	A 6436 City West Parkway, Eden Prairie, MN 55344
	P 800.582.6480 / 952.225.6000
	F 877.894.6918 / 952.894.6918
Europe	A Franklinstraat 14, 6003 DK Weert, Netherlands
	P +31 (0) 495 580 852
	F +31 (0) 495 580 845
Asia Pacific	A Office No. 918 on 9/F, Shatin Galleria 18-24 Shan Mei Street Fotan, Shatin, Hong Kong
	P 852 2145 4099
	F 852 2145 4477

