

- Preserves up to 23 (750ml) wine bottles
- Low e, Argon gas filled triple paned tempered glass door with UV coating
- Blue interior light
- Full wrapped stainless-steel exterior
- Articulating, concealed self-closing hinges with built-in door stop
- Multifunction capacitive touch electronic control
- Temperature settings range from 34°F to 65°F allows for ideal preservation of any collection
- Fan assisted cooling system allows for even temperatures, quicker cool down times, and added efficiency
- Full length flush LED theater lighting can be set to display your collection for 4 or 6 hours or schedule Nightlight feature
- Adaptable Racking System includes 5 stainless front, full extension racks with gray vinyl-clad wine rack inserts and 1 fixed bottom display wine rack insert. Optional shelf inserts include tempered glass shelf inserts and/or chrome plated wire shelf inserts making it easy to adapt to food and beverage storage needs
- Unit ships right hinged with field reversible doors
- Stainless model includes a 1" diameter stainless steel handle with faceted standoffs (26" length)
- Panel Ready model requires ¾" custom door panel and handle
- Precise Zero Clearance Design allows for unmatched integration into any built-in setting
- 4 independent adaptable leveling legs
- Adaptable grille accepts an integrated toe-kick and allows front/back and up/down alignment with adjacent cabinetry and toe kick/plinth
- Automatic defrost



Stainless



Panel Ready

Model Details

Model	Lock	Finish	Description	Shipping Weight	MAP
YPWINE15-SS	No	Stainless Steel Frame	15" Single Zone Wine	139 lbs	

Dimensions/Weight	Detail
Product Depth	23 ¼"
Product Height	34" - 35"
Product Width	14 7/8"
Product Weight	120 lbs
Shipping Dimensions	17 ¾" x 27 ½" x 36 ¾"
Shipping Weight	139 lbs
Bottle Capacity	Up to 24 (750ml) standard bottles

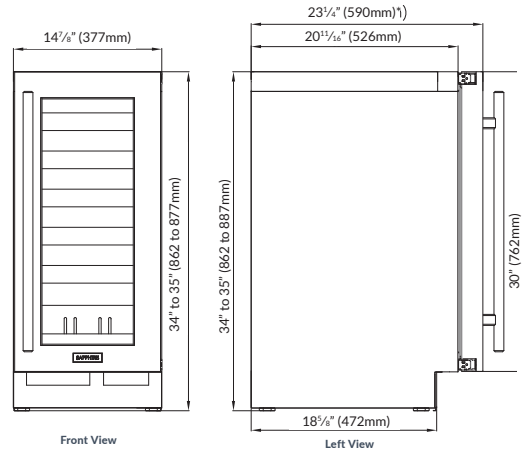
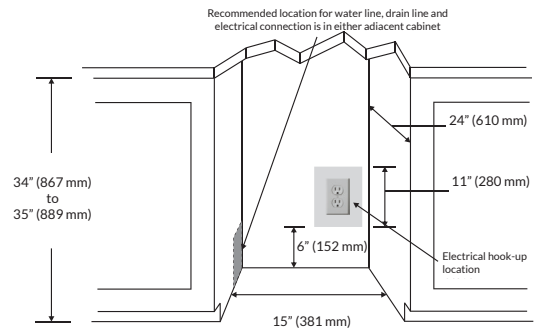
Integration/Panel Information*	Detail
Panel Height	30" - 31"
Panel Thickness	¾" - 20 mm
Panel Width	14 5/8"

*Refer to manual for all panel dimensions and installation instructions

Model	Details
Control Type	Electronic Capacitive Touch with OLED Screen
Indoor or Outdoor	Indoor
Built-in Installation	Inset, Frameless / Overlay and Framed Cabinet Styles
Refrigerant Type	R600

Electrical	Details
Electrical Requirements	115 V / 60 Hz
Volt Range	104 V ~ 127 V
Maximum Amp Fuse	15 amp
Amps Running	0.6 amps

Approvals - Certifications	Details
ETL Residential / Commercial	Yes
ETL Sanitation	Yes
Star K	Yes



¹⁾Dimensions are the same for Panel Ready unit when 3/4" panel applied

