



Furniture of America[®]

E-Commerce by Enitial Lab

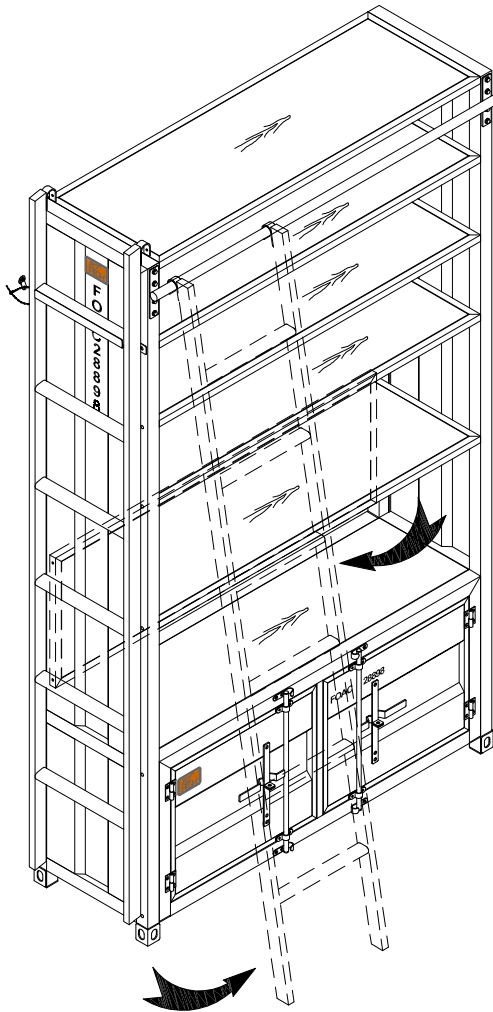
ASSEMBLY INSTRUCTIONS

MODEL #

FOA-AC379

Questions?

GIVE US CALL: 1-888-980-5122
MON-FRI 8:30AM - 5:30PM (PST)



TOOLS REQUIRED



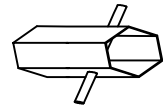
Allen Wrench

(Included)



Phillips Screwdriver

(Not Included)



Socket Wrench

(Included)



2 - People
Recommended

ASSEMBLY RATING



EASY —————> DIFFICULT

The Assembly Rating is a 5-point system showing the level of effort needed to assemble a specific product.



FOA Intro

Thank you for your purchase!

We hope you enjoy this new addition to your home for many years to come.

Our commitment to providing quality products does not simply end when you purchase our product. We fully stand behind our products from start to finish. Our customer service department is available Monday – Friday 8:30 AM – 5:30 PM Pacific and can help with assembly questions as well as, if necessary, replacing damaged or missing parts. To help expedite our service, please have these assembly instructions readily available, along with your order receipt.

 **Consumer Hotline**
Toll-Free 1-888-980-5122

 **WEBSITE**
www.foagroup.com

    foagroup

 **Monday to Friday**
8:30AM- 5:30PM (PST)

 **E-MAIL**
cs.ec@foagroup.com

 FurnitureOfAmerica

CHECK BEFORE STARTING

Are you missing anything?

Double-check all parts, hardware and accessories listed on Page 6 are accounted for.

Should we send any replacements?

Are there any irregularities or flaws in the parts? We can send replacements!

Check out our Quick Tips!

We recommend reviewing the pre-assembly handouts. Even experts need a refresher now and then!

Prep Time!

Please review the assembly instructions and all diagrams prior to assembling. Arrange parts as recommended on Page 7 and group identical hardware together to make assembling easier.

PRE ASSEMBLY INTRODUCTION

We understand building ready-to-assemble furniture can be a challenging experience for some. To help avoid confusion, we have provided some helpful tips that may speed up the process.



Teamwork

ALWAYS have at least two people to help with transporting and assembling the product to avoid potential injury and/or damage.



Suitable Location

Assembling near the area of the intended location is highly recommended.



Sufficient Space

Make sure you have enough space to move around during the assembly.



Avoid Scratches

Use cardboard, blankets or a carpeted area while assembling furniture to prevent scratches.



Flat Surface

Make sure the furniture rests on a flat and level surface with each leg evenly touching the floor.

ASSEMBLY AND CARE ADVICE



FAILURE TO FOLLOW THE GUIDELINES BELOW MAY RESULT IN INJURY AND/OR PROPERTY DAMAGE.



Position each part correctly and insert screws or bolts into their respective holes.



Turn clockwise to tighten and only tighten when step is completed or when instructed to do so.



Use the appropriate hand tools or power tools for assembly. Select steps, such as tightening screws and/or bolts, may require hand tools to avoid causing damage during assembly.



Save the instructions and store any supplied tools for later maintenance.

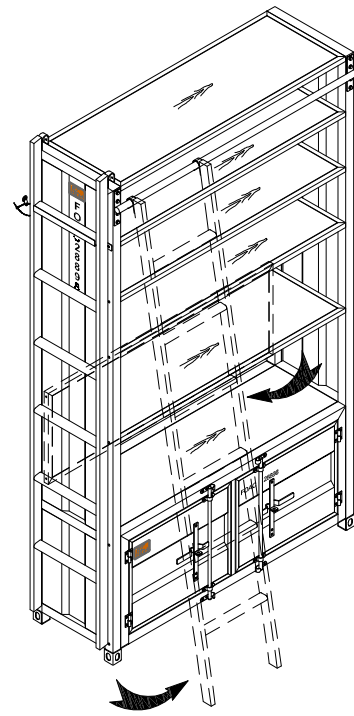
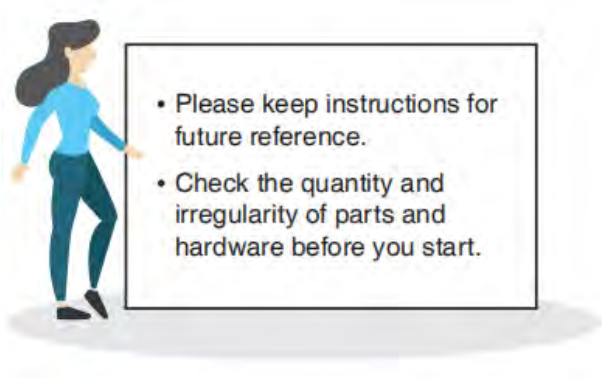


After two weeks, check and tighten any loose hardware and repeat again every six months thereafter.

IT IS THE USER'S RESPONSIBILITY TO MAINTAIN THE FURNITURE. THE HARDWARE MAY LOOSEN OVER TIME AND MAY CAUSE THE FURNITURE TO BE WOBBLY AND UNABLE TO SUPPORT ITS INTENDED WEIGHT CAPACITY. THIS MAY LEAD TO COLLAPSE AND MAY CAUSE SERIOUS INJURY.

4 LAYER BOOKCASE

FOA-AC379



PARTS

#1 1pc



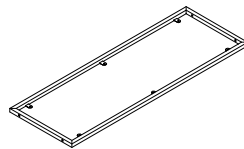
Left Plate

#2 1pc



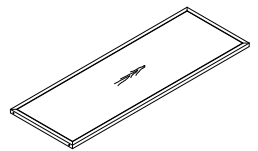
Right Plate

#3 1pc



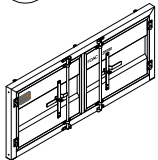
Top Frame

#4 4pcs



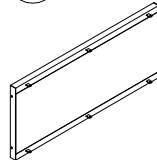
Middle Board

#5 1pc



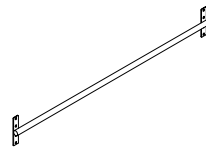
Front Frame

#6 1pc



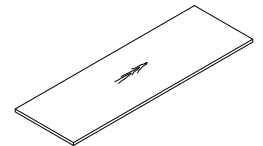
Back Frame

#7 1pc



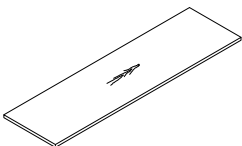
Tube

#8 1pc



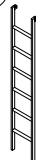
Top Board

#9 2pcs



Bottom Board

#10 1pc



Ladder

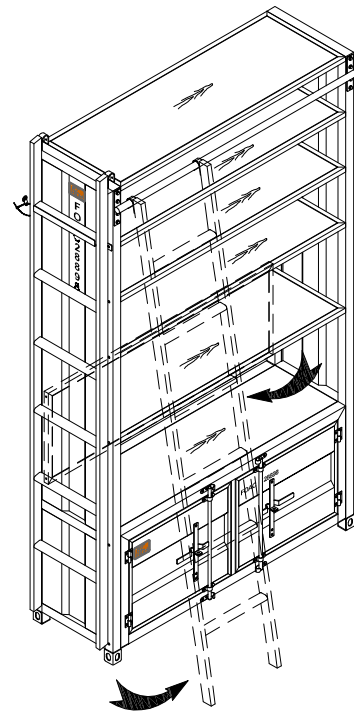
#11 1pc



Hook

4 LAYER BOOKCASE

FOA-AC379



- Please keep instructions for future reference.
- Check the quantity and irregularity of parts and hardware before you start.

HARDWARE

#A 4pcs



Bolt 1/4" x 5/8"

#B 4pcs



Bolt 1/4" x 1-3/8"

#C 20pcs



Bolt 1/4" x 2-1/8"

#D 8pcs



Bolt 1/4" x 5/8"

#E 18pcs



Screw M5 x 12

#F 1pc



Allen Wrench M4

#G 1pc



Socket Wrench M6

#H 1pc



Screw M4 x 37

#I 2pcs



Metal Plate

#J 1pc









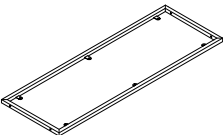


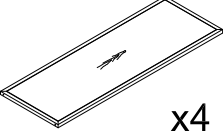


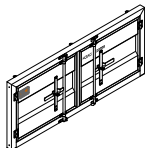


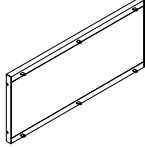

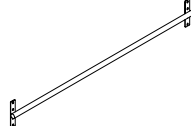
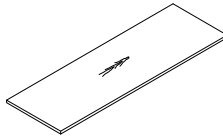
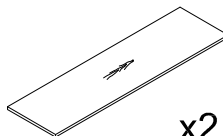

Bracket

#K 1pc

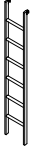


Girding

FOA-AC379 POINTS 2 CARTONS

Carton	Designation	Part	Hardware
FOA-AC379-1	Left Plate	#1 	 #A x 4pcs  #B x 4pcs
	Right Plate	#2 	 #C x 20pcs  #D x 8pcs
	Top Frame	#3 	 #E x 18pcs  #F x 1pc
	Middle Board	#4  x4	 #G x 1pc  #H x 1pc
	Front Frame	#5 	 #I x 2pcs  #J x 1pc
	Back Frame	#6 	 #K x 1pc
	Tube	#7 	
	Top Board	#8 	
	Bottom Board	#9  x2	
	Hook	#11 	

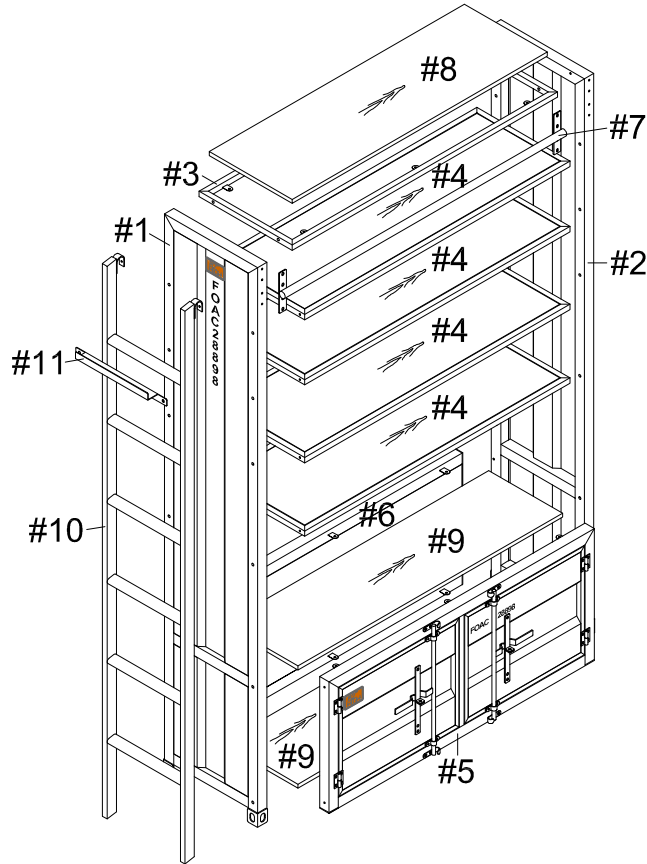
FOA-AC379 POINTS 2 CARTONS

Carton	Designation	Part		Hardware
FOA-AC379-2	Ladder	#10		

ASSEMBLY INSTRUCTIONS

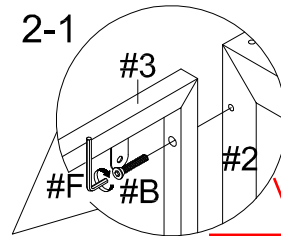
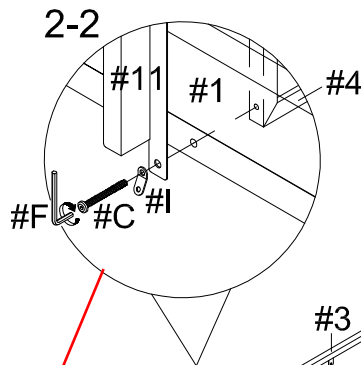
1

Exploded View



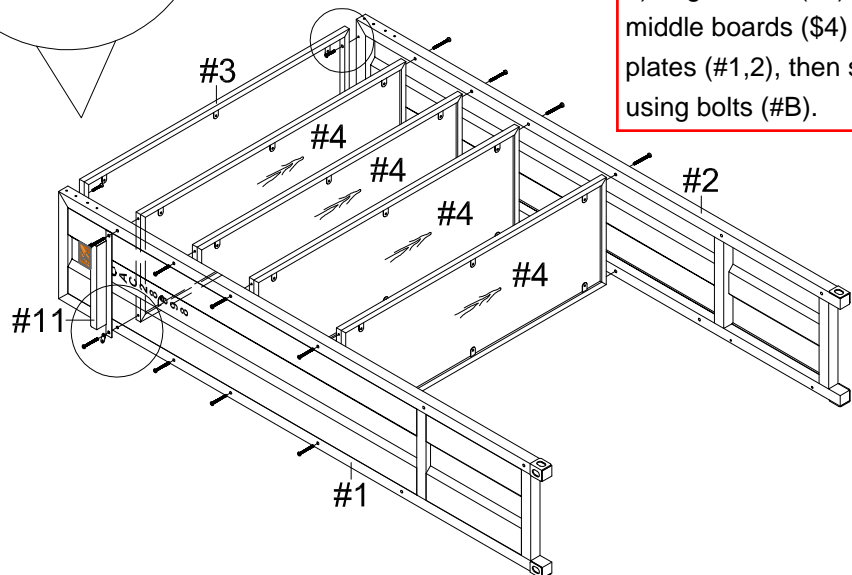
2

- Part #1 x 1pc
- Part #2 x 1pc
- Part #3 x 1pc
- Part #4 x 4pcs
- Part #11 x 1pc
- Hardware #B x 4pcs
- Hardware #C x 16pcs
- Hardware #F x 1pc
- Hardware #I x 1pc



1) Align frame (#3) and middle boards (#4) to the plates (#1,2), then secure by using bolts (#B).

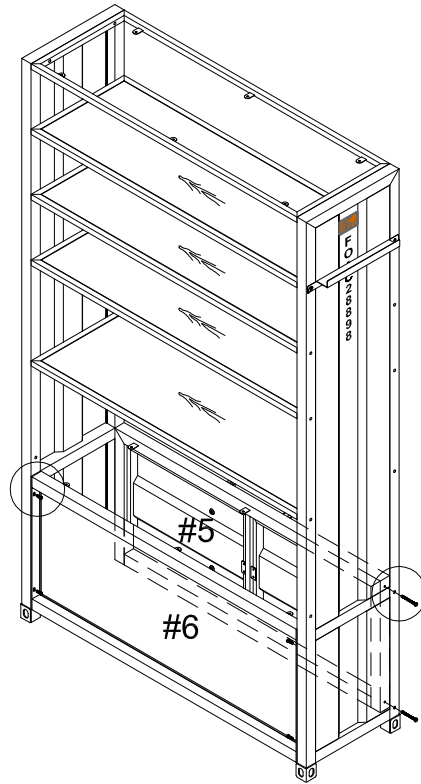
2) Align hook (#11) onto the left plate (#1), then secure by using bolts (#C) all the way to middle board (#4).



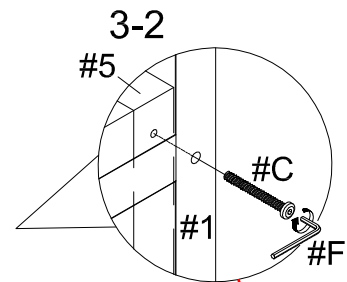
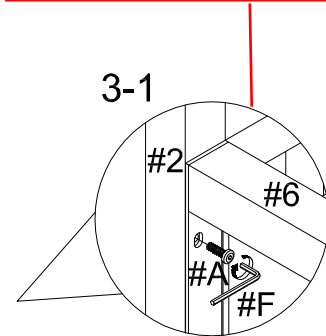
ASSEMBLY INSTRUCTIONS

3

- Part #5 x 1pc
- Part #6 x 1pc
- Hardware #A x 4pcs
- Hardware #C x 4pcs
- Hardware #F x 1pc



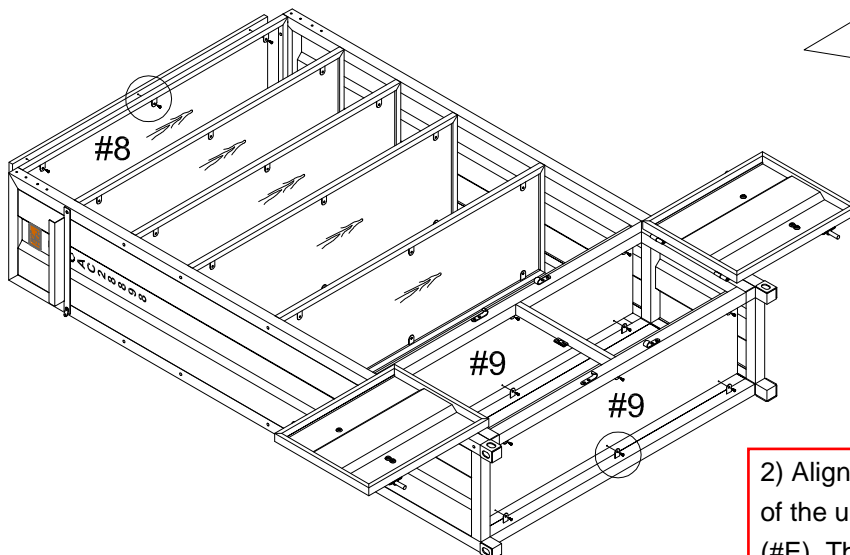
1) Align back frame (#6) to the unit, then secure by using bolts (#A).



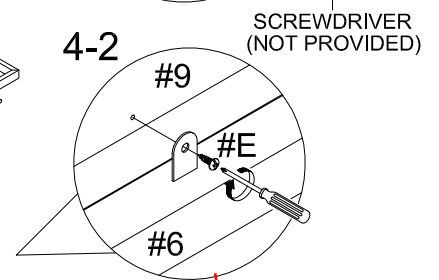
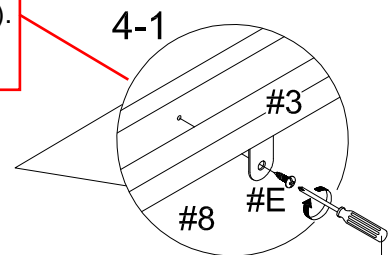
2) Align front frame (#5) to the unit, then secure by using bolts (#C).

4

- Part #8 x 1pc
- Part #9 x 2pcs
- Hardware #E x 18pcs



1) Align top board (#8) to the top of the unit, then secure by using screws (#E). There may not be pre-drilled holes.



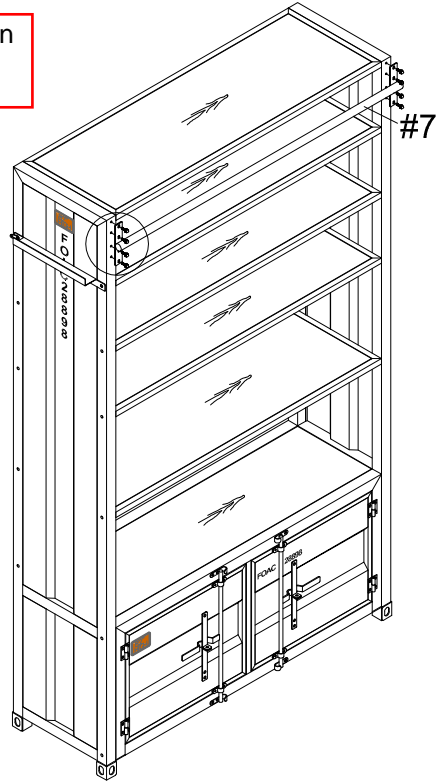
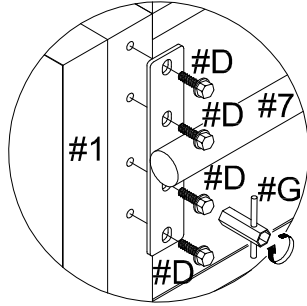
2) Align bottom board (#9) to the bottom of the unit, then secure by using screws (#E). There may not be pre-drilled holes.

ASSEMBLY INSTRUCTIONS

5

- Part #7 x 1pc
- Hardware #D x 8pcs
- Hardware #G x 1pc

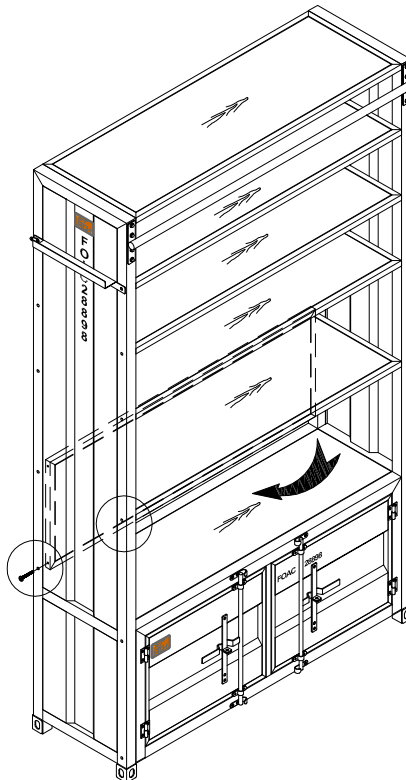
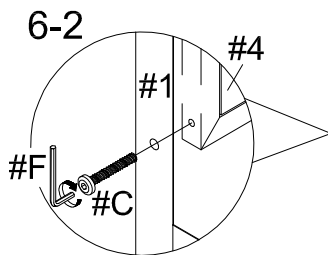
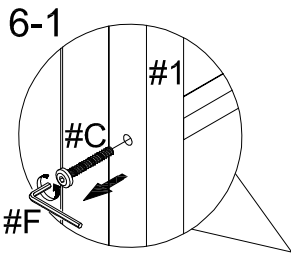
Align tube (#7) to the unit, then secure by using bolts (#D).



6

- Hardware #F x 1pc

Unscrew the front bolts (#C) that attach to the lowest middle shelf (#4), then fold the middle shelf straight to the back of the unit, then secure again with the same bolts (#C).



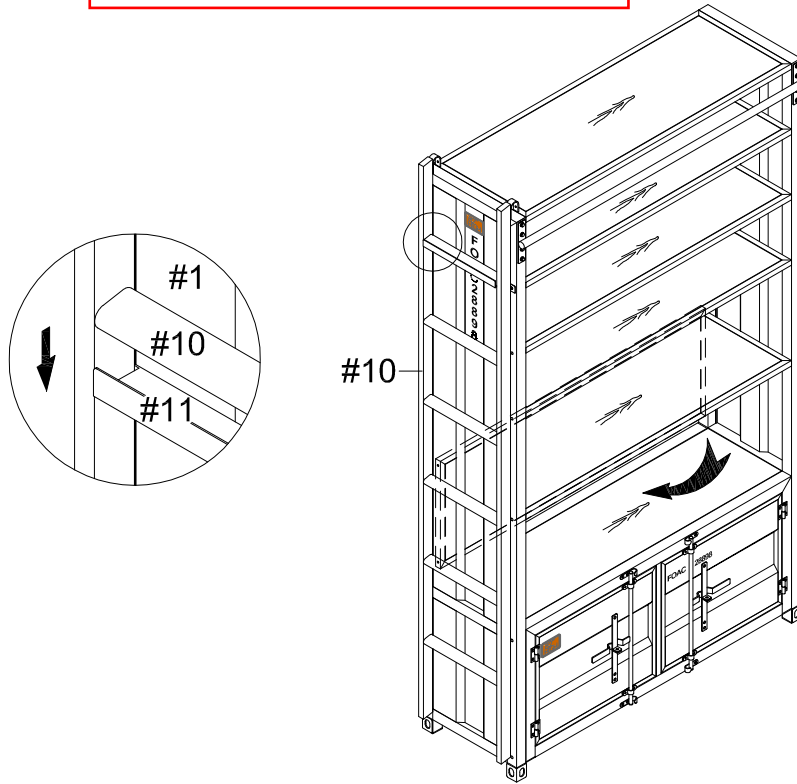
OPTIONAL: Moving the lowest middle shelf (#4) to have a bigger bottom space.

ASSEMBLY INSTRUCTIONS

7

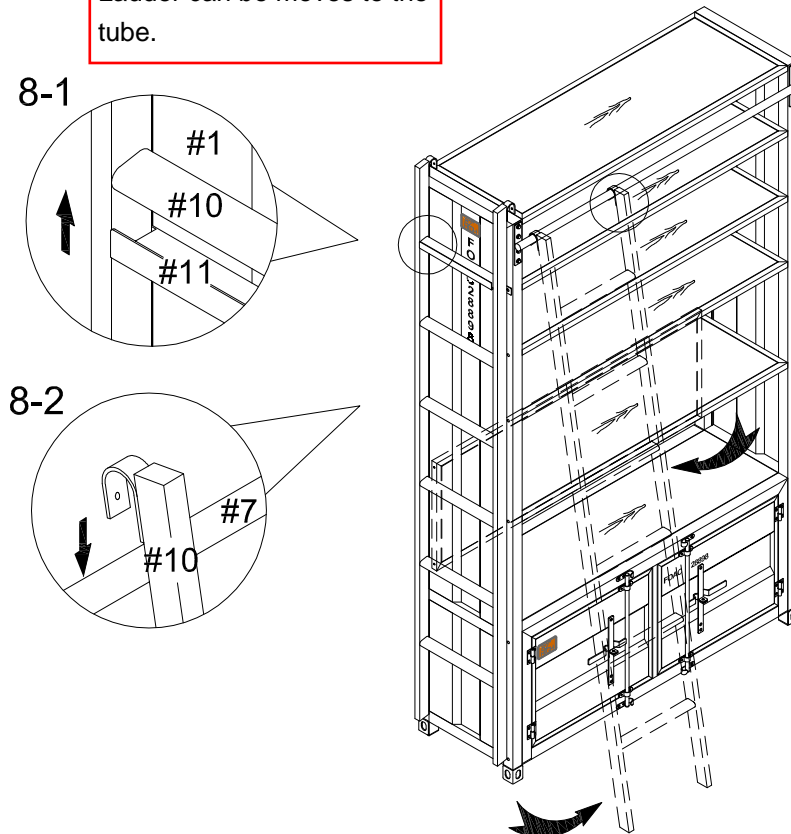
Part #10 x 1pc

The hook (#11) acts as a ladder (#10) rest.



8

Ladder can be moves to the tube.



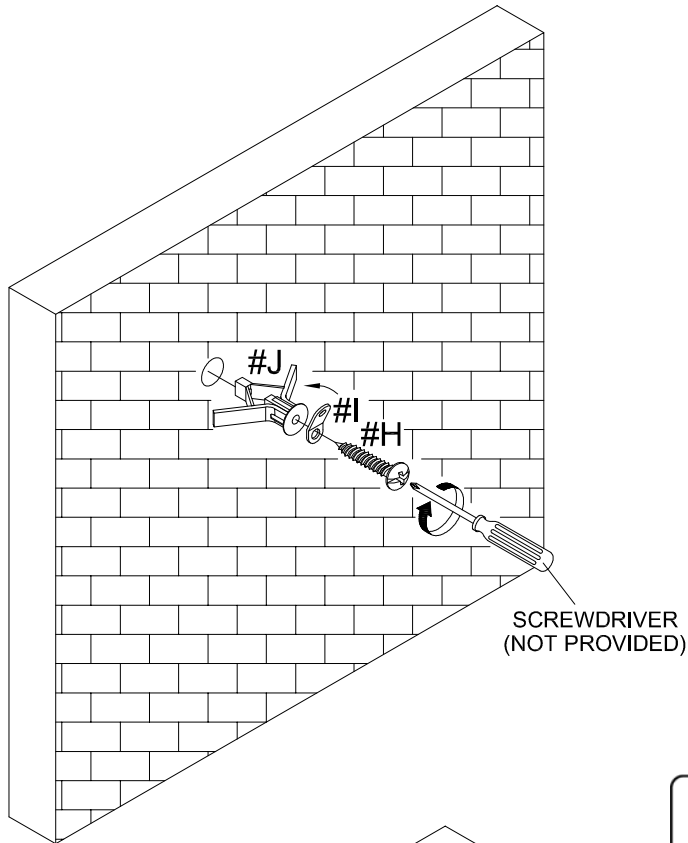
ASSEMBLY INSTRUCTIONS

9

Hardware #H x 1pc

Hardware #I x 1pc

Hardware #J x 1pc



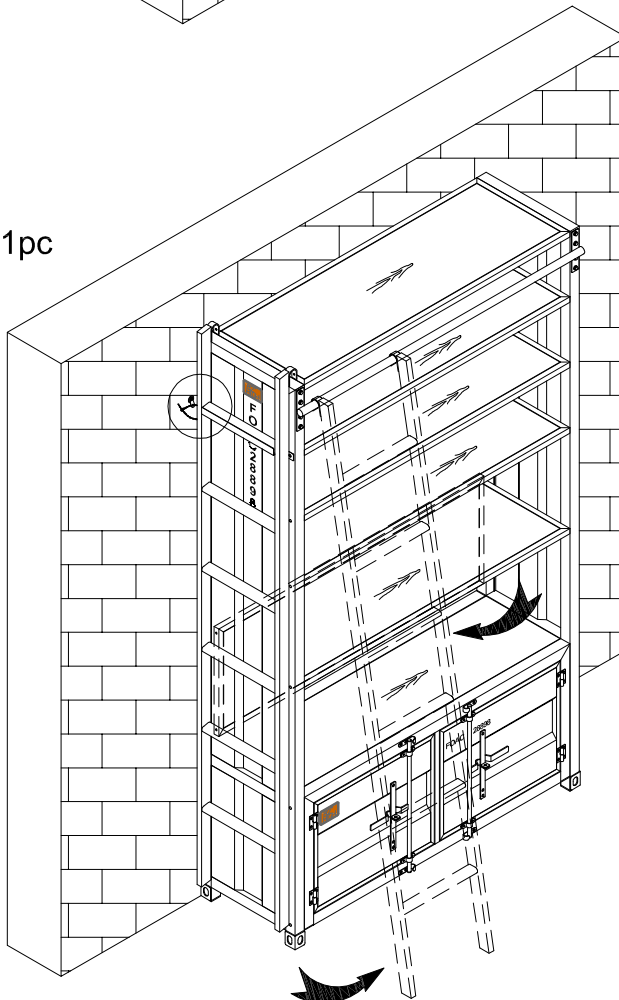
ASSEMBLY COMPLETED



Please ensure the furniture rests on an even and flat surface. If the product wobbles or feels loose, double-check all bolts and/or screws are properly tightened and secured.

10

Hardware #K x 1pc



Keep this handy!

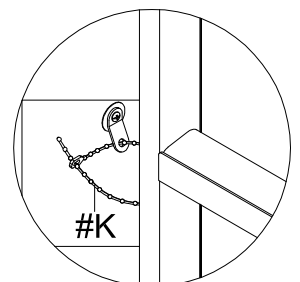
Please retain this instruction manual and any order-related information for future reference.



Lift, don't drag!

To avoid damage to product please always LIFT the product when transporting or adjusting the placement.

To Prevent Tip over Product Must Be Attached To Wall



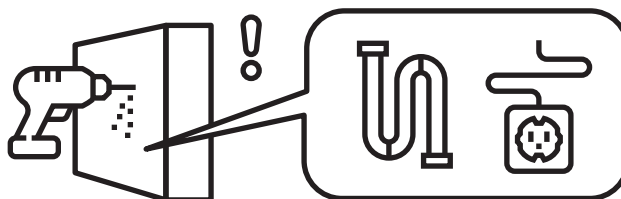
ASSEMBLY INSTRUCTIONS

Wall Mounting and Fixing



EXPANSION WALL ANCHOR

Our provided expansion wall anchors are only suitable for masonry walls, such as drywall, plaster or concrete, and are best for holding lightweight items or for anti-tip prevention. If you are unsure of the correct wall anchor to use with the product, please request professional guidance. Liability for product damage or failure due to using the incorrect anchors will fall on the installer.

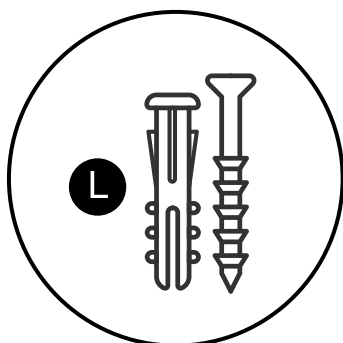


CHECK BEFORE PROCEEDING

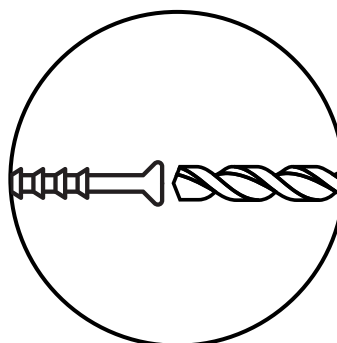
Prior to drilling or hammering, please check for wires or pipes. We recommend using a stud finder to locate a stud, which will offer more appropriate resistance and hold more weight.

QUICK TIPS

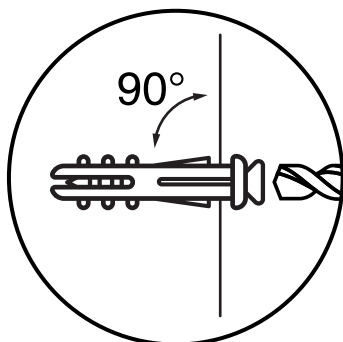
1. If unsure of the proper size, always choose a larger screw and wall anchor.



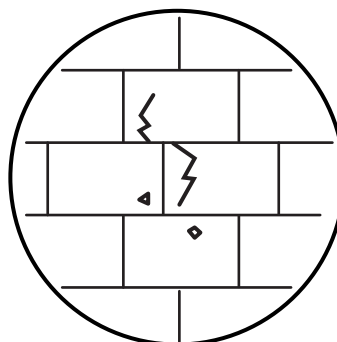
2. Match the drill bit to the wall anchor and hole size.



3. Only drill horizontally. Do not force the drill or enlarge the hole for the wall anchor.



4. Take extra care when drilling into high walls or ceramic tiles. Wall anchors should be a tight fit for the hole. Never use wall anchors in ceilings.



MAINTENANCE



We recommend a yearly check to see if the wall anchor or screw has loosened. If so, please remove the existing wall anchor and screw, and use a new anchor.