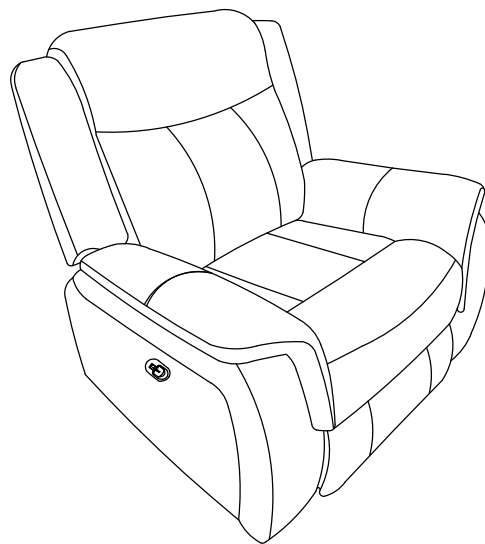




ASSEMBLY INSTRUCTIONS

COASTER FINE FURNITURE



Fine Furniture for every stage of life

603503
Glider Recliner

REVISION 0: 10/15/2020

COASTERFURNITURE.COM

ITEM: **603503**



ASSEMBLY INSTRUCTIONS

ASSEMBLY TIPS:

1. Remove hardware from box and sort by size.
2. Please check to see that all hardware and parts are present prior to start of assembly.
3. Please follow attached instructions in the same sequence as numbered to assure fast & easy assembly.



WARNING!

1. Don't attempt to repair or modify parts that are broken or defective. Please contact the store immediately.
2. This product is for home use only and not intended for commercial establishments.



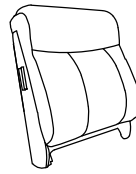
ASSEMBLY TIME

5 MINUTES

PARTS IDENTIFICATION

A

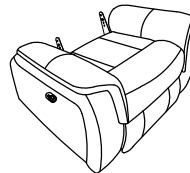
BACK



1PC

B

BASE



1PC

C

LEFT EAR



1PC

D

RIGHT EAR

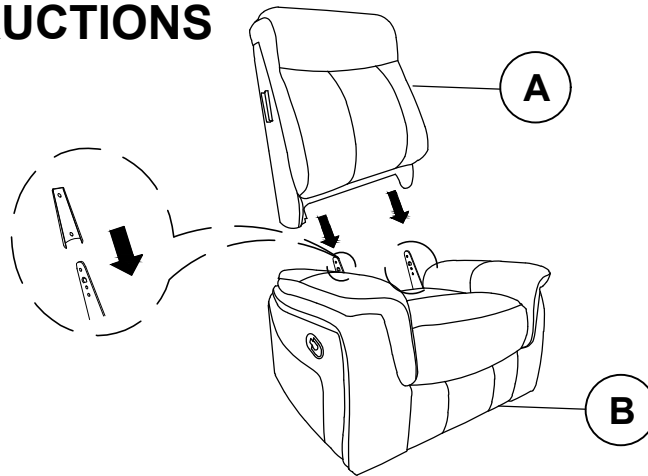


1PC

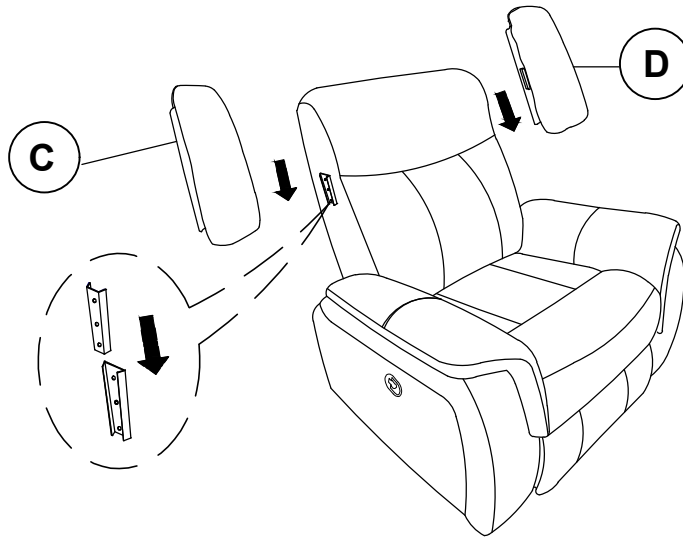
ITEM: **603503**

ASSEMBLY INSTRUCTIONS

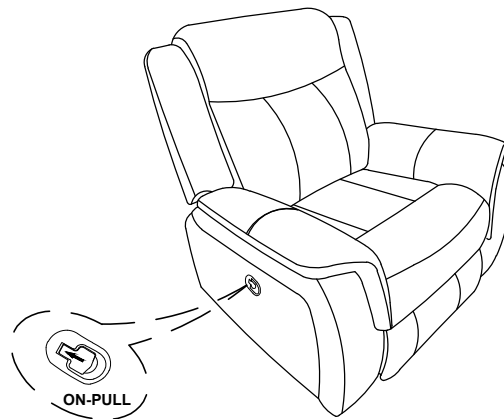
STEP 1



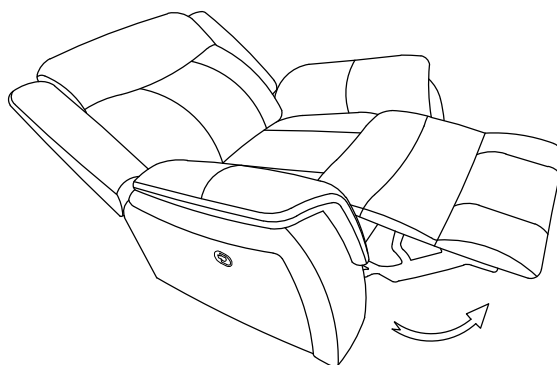
STEP 2



STEP 3

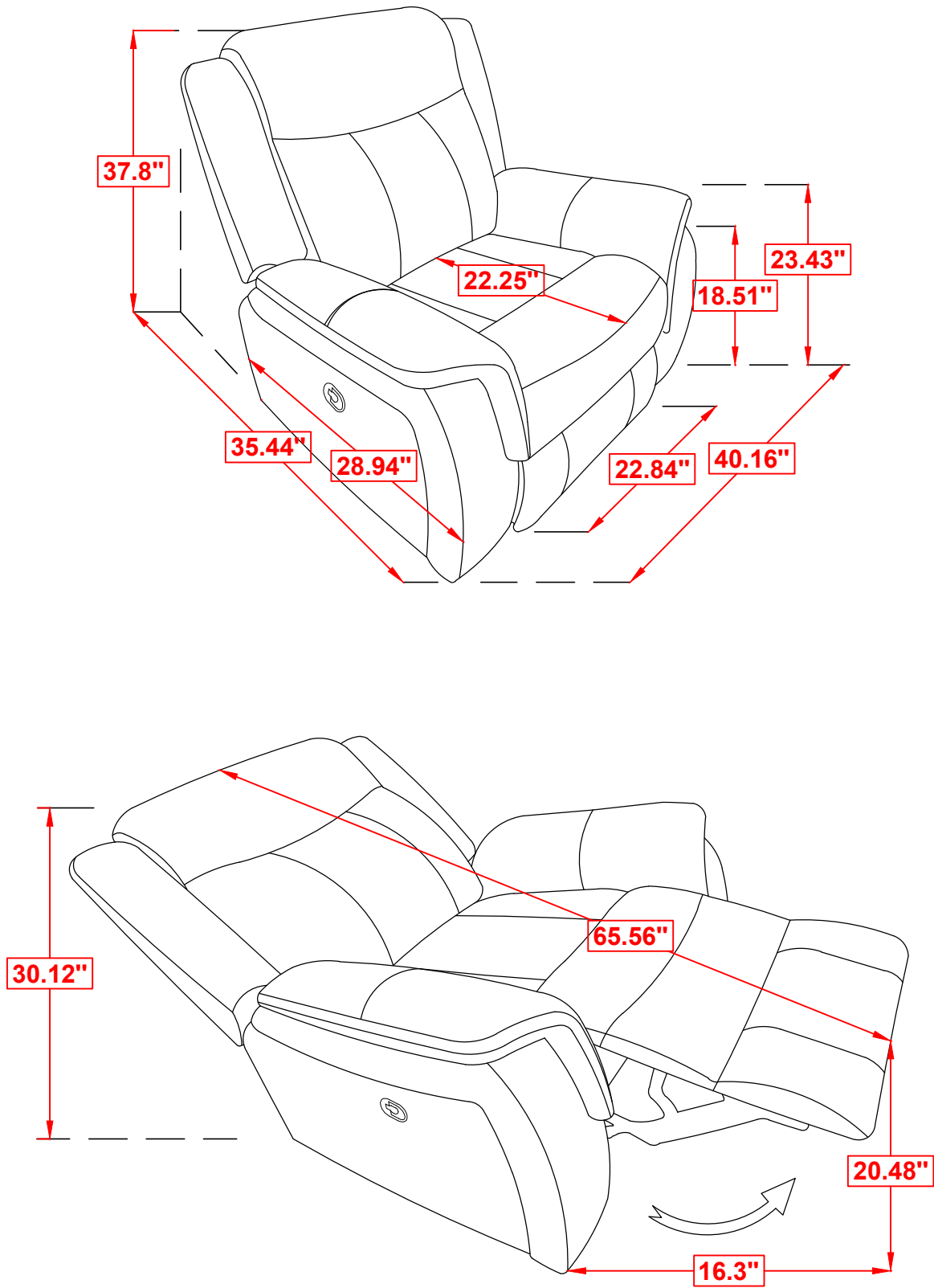


**STEP 4
COMPLETE**



ITEM: 603503

COASTER
FINE FURNITURE



Note: Dimension tolerance $\pm 5\%$