

ASSEMBLY INSTRUCTIONS
COASTER FINE FURNITURE



Fine Furniture for every stage of life

223521Q (B1-B3)
Queen Bed

ITEM: 223521Q(B1-B3)



ASSEMBLY INSTRUCTIONS

ASSEMBLY TIPS:

1. Remove hardware from box and sort by size.
2. Please check to see that all hardware and parts are present prior to start of assembly.
3. Please follow attached instructions in the same sequence as numbered to assure fast & easy assemnt



WARNING!

1. Don't attempt to repair or modify parts that are broken or defective. Please contact the store immediately.
2. This product is for home use only and not intended for commercial establishments.



ASSEMBLY TIME

35 MINUTES

PARTS IDENTIFICATION

B1 (BOX 1)

| | | | |
|---|--------------------------|--|------|
| A | HEADBOARD PANEL | | 1PC |
| B | HEADBOARD TOP DECORATION | | 1PC |
| C | HEADBOARD SUPPORT | | 2PCS |
| D | LEFT HEADBOARD LEG | | 1PC |
| E | RIGHT HEADBOARD LEG | | 1PC |
| F | EAR PANEL SUPPORT | | 2PCS |
| G | HEADBOARD SUPPORT PANEL | | 1 PC |

B2 (BOX 2)

| | | | |
|---|-----------------|--|-----|
| H | FOOTBOARD PANEL | | 1PC |
|---|-----------------|--|-----|

B3 (BOX 3)

| | | | |
|---|------------------|--|------|
| I | BED SLAT | | 5PCS |
| J | BED SLAT SUPPORT | | 5PCS |
| K | LEFT BED RAIL | | 1PC |
| L | RIGHT BED RAIL | | 1PC |
| M | FOOTBOARD LEG | | 2PCS |

ITEM: 223521Q(B1-B3)



ASSEMBLY INSTRUCTIONS

ASSEMBLY TIPS:

1. Remove hardware from box and sort by size.
2. Please check to see that all hardware and parts are present prior to start of assembly.
3. Please follow attached instructions in the same sequence as numbered to assure fast & easy as















WARNING!

1. Don't attempt to repair or modify parts that are broken or defective. Please contact the store immediately.
2. This product is for home use only and not intended for commercial establishments.

HARDWARE IDENTIFICATION

Z-B3 (BOX 3) - HARDWARE PACK IS LOCATED IN 223521Q (B3)

| | | | |
|----|--|---|-------|
| 1 | ALLEN WRENCH (Φ6 - BLK) |  | 1PC |
| 2 | SHORT BOLT (Φ6 X 30mm - RBW) |  | 4PCS |
| 3 | MEDIUM BOLT (Φ6 X 45mm - RBW) |  | 15PCS |
| 4 | LONG BOLT (Φ6 X 60mm - RBW) |  | 6PCS |
| 5 | SHORT FLAT HEAD SCREW (Φ4 X 16mm - RBW) |  | 4PCS |
| 6 | MEDIUM FLAT HEAD SCREW (Φ4 X 32mm - RBW) |  | 10PCS |
| 7 | LONG FLAT HEAD SCREW (Φ4 X 45mm - RBW) |  | 4PCS |
| 8 | LOCK WASHER (Φ6 - RBW) |  | 20PCS |
| 9 | MEDIUM FLAT WASHER (Φ7 X 19mm X 2.0 - RBW) |  | 20PCS |
| 10 | BIG FLAT WASHER (3/8 x 25 x 1.0 - RBW) |  | 14PCS |
| 11 | LEVELER (M6 x 23mm - RBW) |  | 5PCS |
| 12 | WOOL DOWEL (M8 X 45MM) |  | 4PCS |

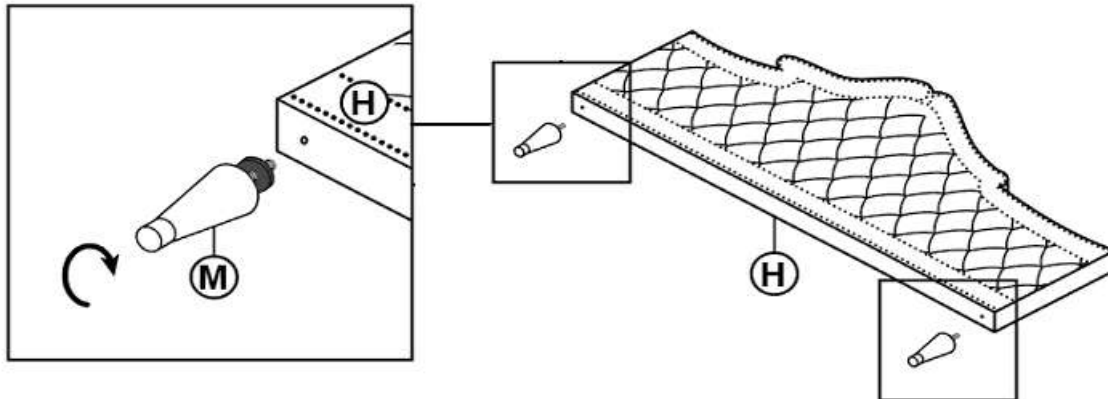
NOTE:

Phillips head screw driver is required in the assembly process; however, manufacturer does not provide this item.

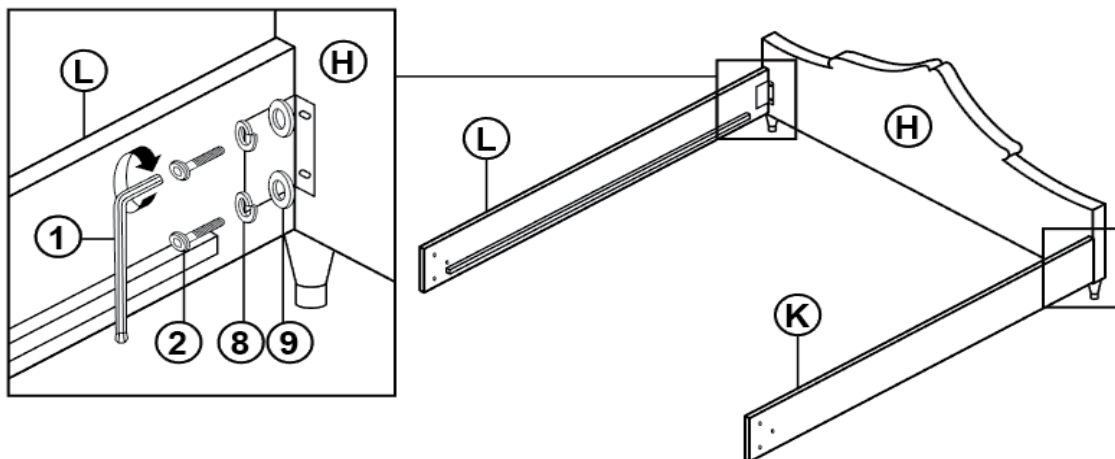
ITEM: 223521Q(B1-B3)

ASSEMBLY INSTRUCTIONS

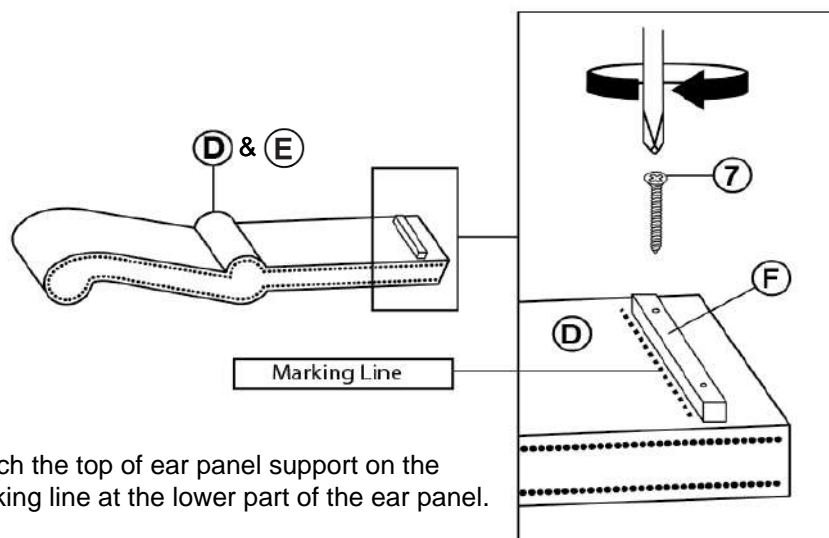
STEP 1



STEP 2



STEP 3

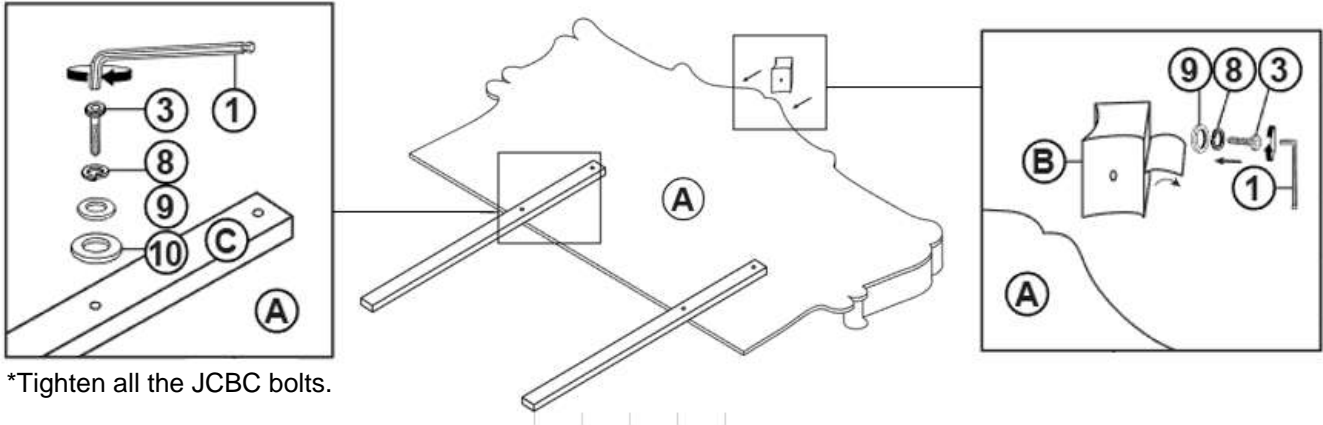


*Attach the top of ear panel support on the marking line at the lower part of the ear panel.

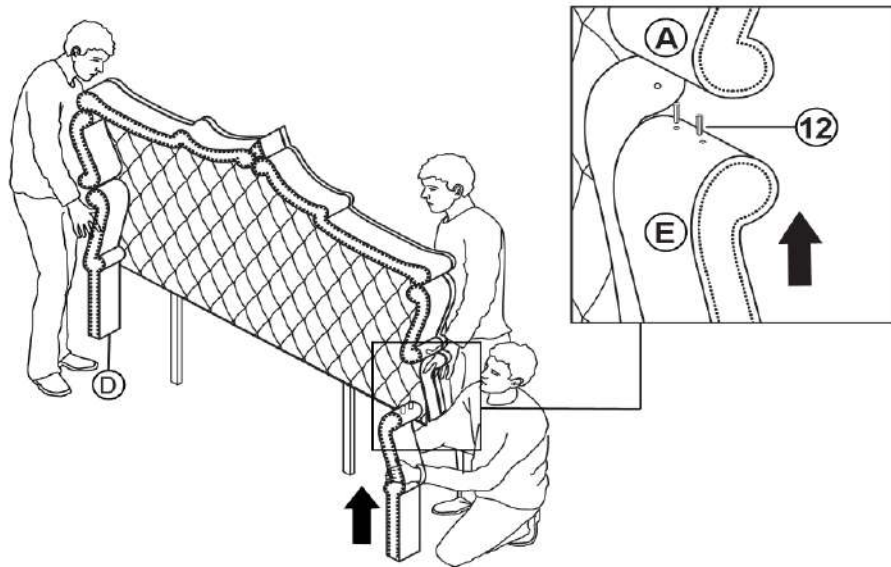
ITEM: 223521Q(B1-B3)

ASSEMBLY INSTRUCTIONS

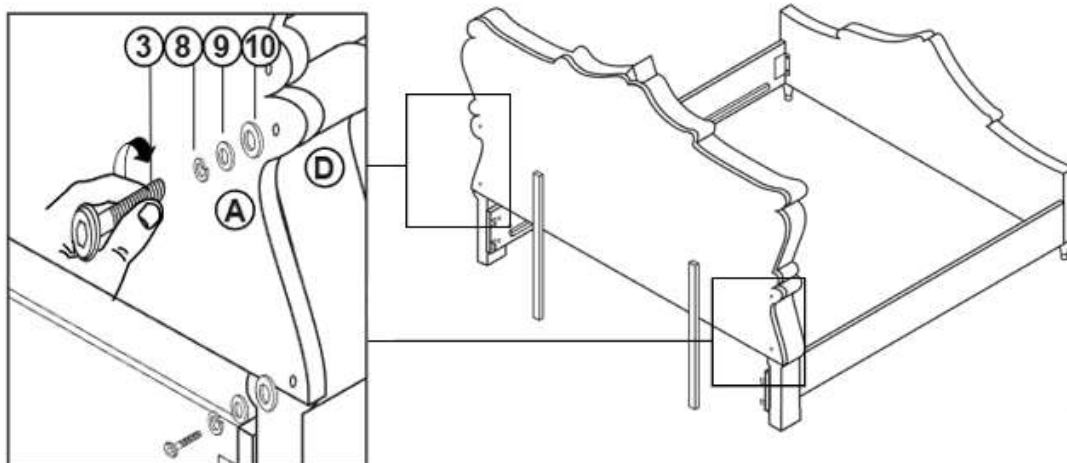
STEP 4



STEP 5



STEP 6



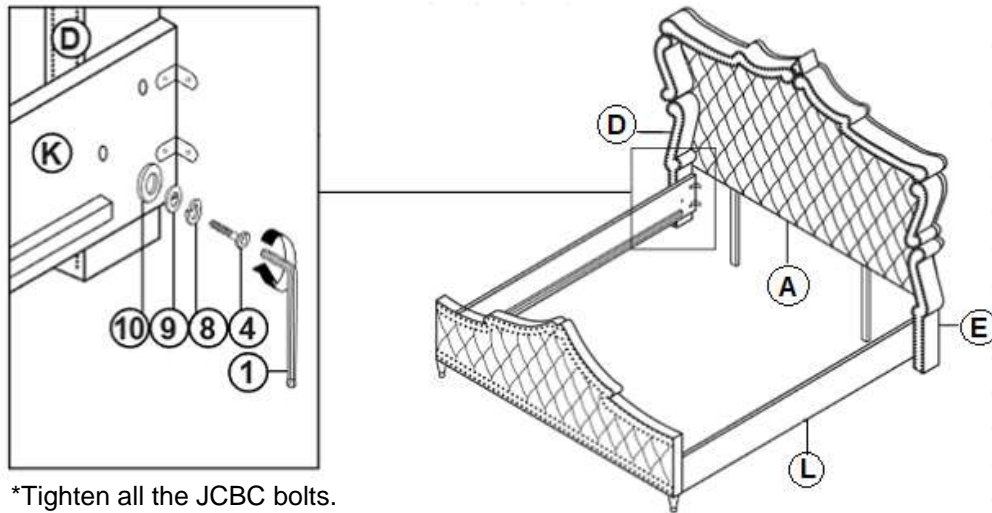
*Hand tight, do not tighten all the JCBC bolts.

ITEM: 223521Q(B1-B3)



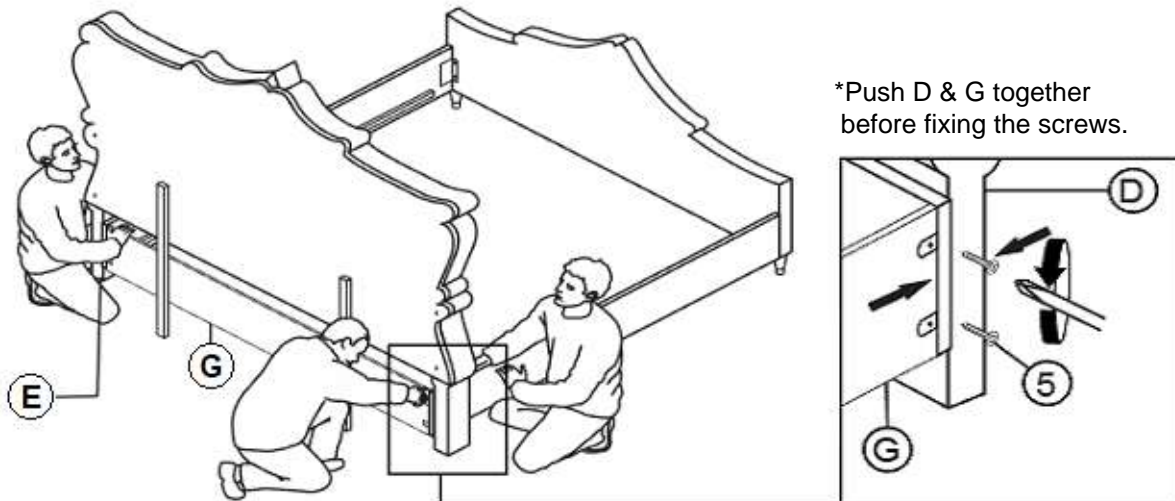
ASSEMBLY INSTRUCTIONS

STEP 7



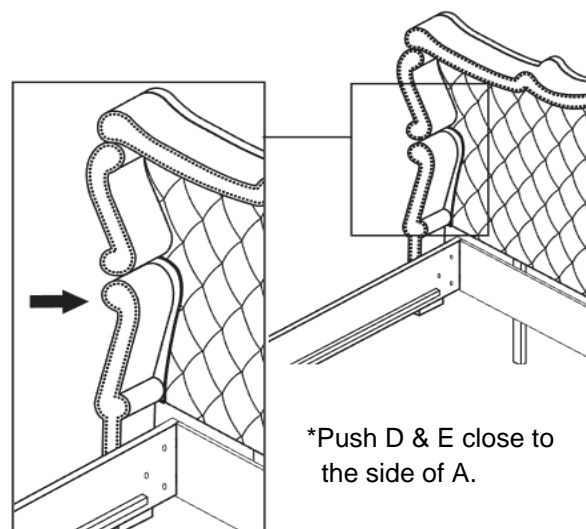
*Tighten all the JCBC bolts.

STEP 8



*Push D & G together before fixing the screws.

STEP 9



*Push D & E close to the side of A.



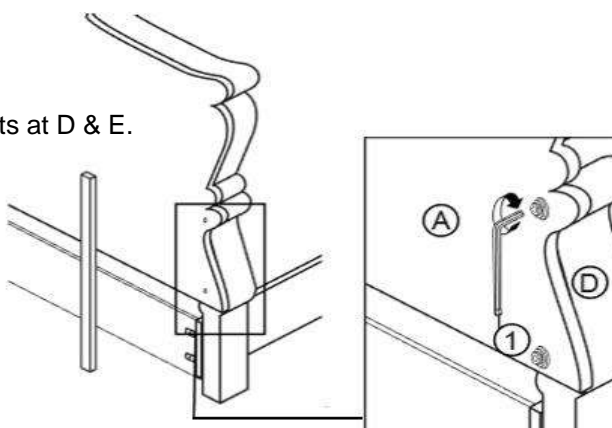
ITEM: 223521Q(B1-B3)



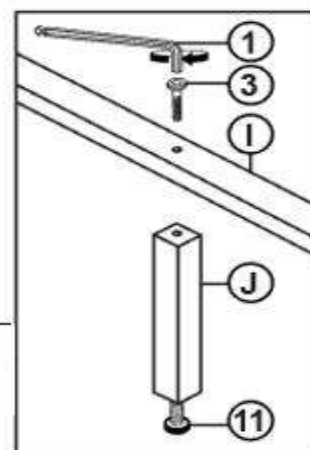
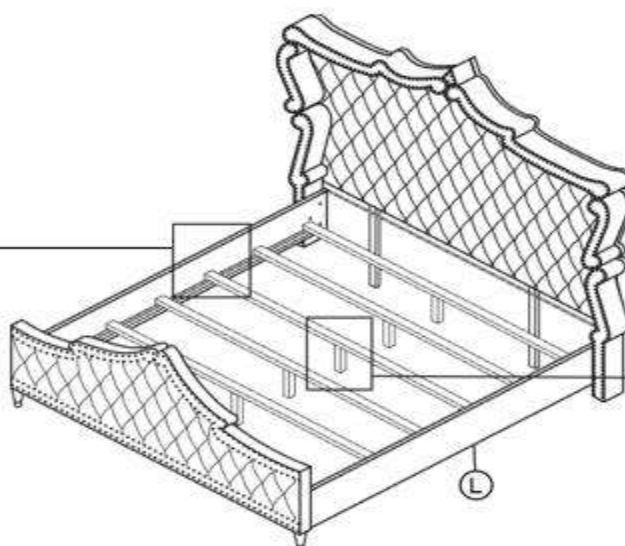
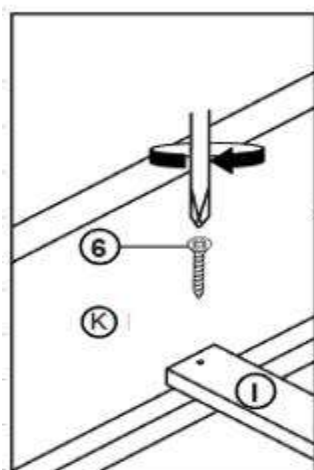
ASSEMBLY INSTRUCTIONS

STEP 10

* Tighten the JCBC bolts at D & E.



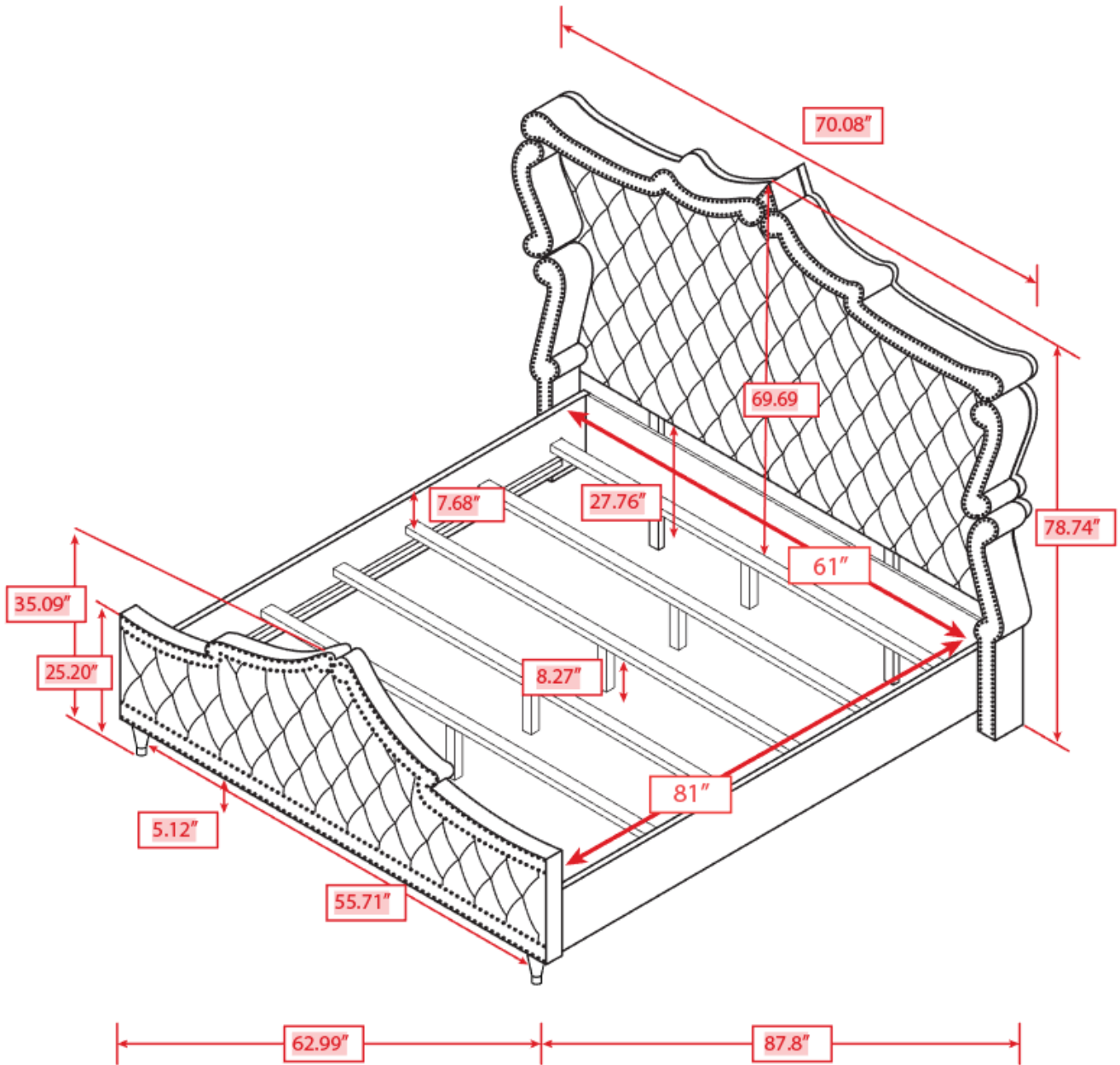
STEP 11



STEP 12 **COMPLETE**



ITEM: 223521Q(B1-B3)



Note : Dimension tolerance $\pm 5\%$