

Frigidaire Professional



Induction Range

36" Induction Freestanding Range

PCFI3668AF

Available Colors : Stainless Steel

Version : 11/21

Cooktop

Bridge Element Location	Right and Left
Cooking Surface Type	Smooth
Hot-Surface Indicator Light	Yes

Cooktop Performance

Right Front Element Burner Size	7 1/10"
Right Rear Element Burner Size	7 1/10"
Left Front Element Burner Size	7 1/10"
Left Rear Element Burner Size	7 1/10"
Center Front Element Burner Size	10 1/4"
Right Front Element Burner	1,850 / 3,000 Watts (Boost)
Right Rear Element Burner	1,850 / 3,000 Watts (Boost)
Left Front Element Burner	1,850 / 3,000 Watts (Boost)
Left Rear Element Burner	1,850 / 3,000 Watts (Boost)
Center Element Burner	2,600 / 3,700 Watts (Boost)

Cooking Controls

Bake	Yes
Bread Proof	Yes
Broil	Yes
Child Lock	Yes
Convection Bake	Yes
Convection Roast	Yes
Cook Time	Yes
Delay Clean	Yes
Delay Start	Yes
Keep Warm	Yes
Kitchen Timer	Yes
Probe	Yes
Steam Clean	Yes
Temperature Display	Yes

Oven

Bake Element	3,300 Watts
Bake Element Type	Hidden

Broil Element	3,300 Watts
Convection Element	3,380 Watts
Convection Type	True Dual
Number of Convection Fans	2
Number of Rack Positions	5
Oven Interior Color	Gray
Oven Light Quantity	2
Oven Light Type	Halogen
Oven Light Watts	40 Watts
Rack Position Type	Ladder
Rack Type 1	Flat
Rack Type 1 Quantity	2
Rack Type 2	Glide
Rack Type 2 Quantity	1
Window Type	Extra Large Window

Controls

Sabbath Mode	Yes
--------------	-----

Display

Control Location	Front
Display Light Color	Blue
Display Type	LED

Dimensions and Volume

Minimum Height	35 3/16"
Maximum Height	36 3/16"
Width	35 15/16"
Depth	24 13/16"
Depth With Door 90° Open	43 15/16"
Depth With Handle	27"
Oven Interior Height	14 1/2"
Oven Interior Width	28 1/4"
Oven Interior Depth	16 1/2"
Oven Capacity	4.4 Cu. Ft.

Note: For planning purposes only. Always consult local and national electric, gas and plumbing codes.

Refer to Product Installation Guide for detailed installation instructions on the web at frigidaire.com / frigidaire.ca

Specifications subject to change. Accessories information available on the web at frigidaire.com / frigidaire.ca

USA • 10200 David Taylor Drive • Charlotte, NC 28262 • 1-800-FRIGIDAIRE • frigidaire.com

CANADA • 5855 Terry Fox Way • Mississauga, ON L5V 3E4 • 1-800-265-8352 • frigidaire.ca

Frigidaire Professional

36" Induction Freestanding Range

PCFI3668AF

Version : 11/21

Electrical Specifications

Amps @ 240 Volts	50 Amps
Connected Load @ 240V	15.1 kW
Voltage Rating	240 V

Installation

Adjustable Leveling Legs	Yes
Plinth	Yes
Included Power Cord Type	4-Prong Plug

General Specifications

Prop 65 Label	Yes
Warranty - Labor	1 Year
Warranty - Parts	1 Year

Certifications and Approvals

Star-K Certification	Yes
----------------------	-----

Safety Certifications and Approvals

CSA Listed	Yes
RoHS	Yes

Note: For planning purposes only. Always consult local and national electric, gas and plumbing codes.

Refer to Product Installation Guide for detailed installation instructions on the web at frigidaire.com / frigidaire.ca

Specifications subject to change. Accessories information available on the web at frigidaire.com / frigidaire.ca

USA • 10200 David Taylor Drive • Charlotte, NC 28262 • 1-800-FRIGIDAIRE • frigidaire.com

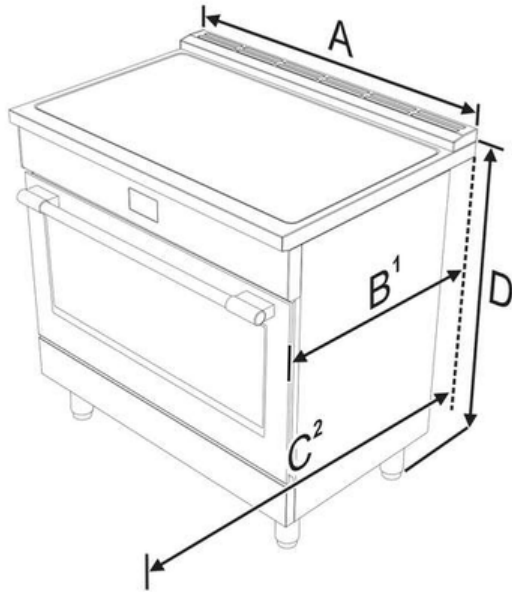
CANADA • 5855 Terry Fox Way • Mississauga, ON L5V 3E4 • 1-800-265-8352 • frigidaire.ca

Frigidaire Professional

36" Induction Freestanding Range

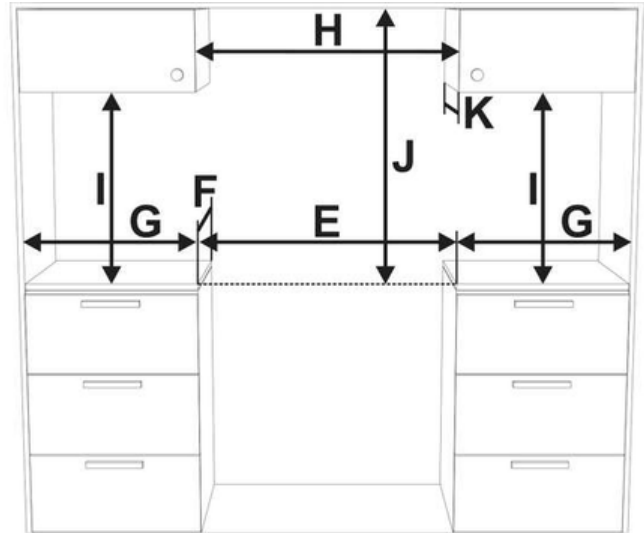
PCFI3668AF

Version : 11/21



A	912.4 mm	35 15/16"
B¹	min: 627 mm max: 631 mm	min: 24 11/16" max: 24 13/16"
C²	1116 mm	43 15/16"
D	min: 893.8 mm max: 944.6 mm	min: 35 3/16" max: 37 3/16"

1. Measurement **B** varies according to the model: the minimum is obtained without the rear spacers (see "Island installation") and the maximum is obtained for traditional installation (slot-in installation - with the rear spacers).
2. Measurement **C** refers to the open door.



E	914 mm	36"
F	603 mm	23" 3/4
G	178 mm	7"
H	min. 914 mm	min. 36"
I	min. 457 mm	min. 18"
J	see notes below	
K	max. 330 mm	max. 13"

Clearance **J** can have the following values:

- **J = 30" / 762 mm** minimum clearance between the top of the cooking surface and the bottom of an unprotected wood or metal cabinet.
- **J = 24" / 610 mm** minimum when the bottom of wood or metal cabinet is protected by not less than 1/4-inch-thick flame-retardant millboard covered with not less than No. 28 MSG sheet steel, 0.015-inch-thick stainless steel, 0.024-inch-thick aluminum, or 0.020-inch-thick copper. Clearances from non-combustible materials are not part of the ANSI Z21.1 scope and are not certified by CSA. Clearances of less than 30" should be approved by the local codes and/or by the local authority having jurisdiction.

Note: For planning purposes only. Always consult local and national electric, gas and plumbing codes.

Refer to Product Installation Guide for detailed installation instructions on the web at frigidaire.com / frigidaire.ca

Specifications subject to change. Accessories information available on the web at frigidaire.com / frigidaire.ca

USA • 10200 David Taylor Drive • Charlotte, NC 28262 • 1-800-FRIGIDAIRE • frigidaire.com

CANADA • 5855 Terry Fox Way • Mississauga, ON L5V 3E4 • 1-800-265-8352 • frigidaire.ca