



36" Dual-Fuel Freestanding Range

Dual Fuel Range

Available Products: PCFD3668AF

Available Colors: Stainless Steel

Version: 07/22

**Product Specifications**

**Cooktop**

Cooking Surface Type	Gas
Grate Material	Cast Iron
Grate Quantity	3
Grate Style	Continuous
Sealed Burners	Yes

**Cooking Controls**

Bake	Yes
Bread Proof	Yes
Broil	Yes
Child Lock	Yes
Convection Bake	Yes
Convection Roast	Yes
Cook Time	Yes
Delay Start	Yes
Keep Warm	Yes
Kitchen Timer	Yes
Probe	Yes
Steam Clean	Yes
Temperature Display	Yes

**Controls**

Sabbath Mode	Yes
--------------	-----

**Exterior**

Backlit Knobs	Yes
---------------	-----

**Electrical Specifications**

Minimum Circuit Required	30 Amps
Voltage Rating	240 V

**General Specifications**

Prop 65 Label	Yes
Warranty - Labor	1 Year
Warranty - Parts	1 Year

**Cooktop Performance**

Right Front Element Burner	18,000 / 750 BTU Dual
Left Front Element Burner	18,000 / 750 BTU Dual
Right Rear Element Burner	12,000 / 750 BTU Dual
Left Rear Element Burner	12,000 / 750 BTU Dual
Center Front Element Burner	12,000 / 750 BTU Dual
Center Rear Element Burner	12,000 / 750 BTU Dual

**Oven**

Bake Element Type	Hidden
Bake Element	3,300 Watts
Broil Element	3,300 Watts
Convection Type	True Dual
Convection Element	3,380 Watts
Rack Position Type	Ladder
Number of Rack Positions	5
Rack Type 1	Flat
Rack Type 1 Quantity	2
Rack Type 2	Glide
Rack Type 2 Quantity	1
Oven Interior Color	Gray
Window Type	Extra Large Visual
Oven Light Type	Halogen
Oven Light Quantity	2
Oven Light Watts	40 Watts
Number of Convection Fans	2

**Display**

Display Light Color	Blue
Display Type	LED
Control Location	Front

**Dimensions and Volume**

Width	35.938"
Depth	25 7/8"
Depth With Door 90° Open	43 94/100"
Oven Interior Height	14 1/2"
Oven Interior Width	28 1/4"
Oven Interior Depth	16 1/2"
Minimum Height	35.563"
Maximum Height	36.563"
Oven Capacity	4.4 Cu. Ft.

36" Dual-Fuel Freestanding Range

Dual Fuel Range

Available Products: PCFD3668AF

Available Colors: Stainless Steel

Version: 07/22

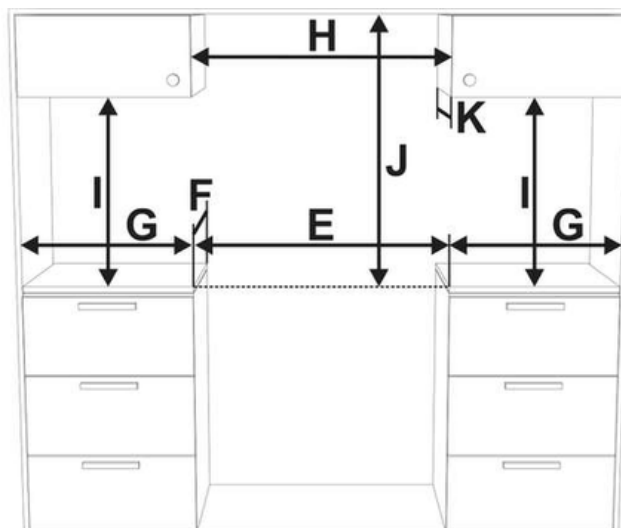
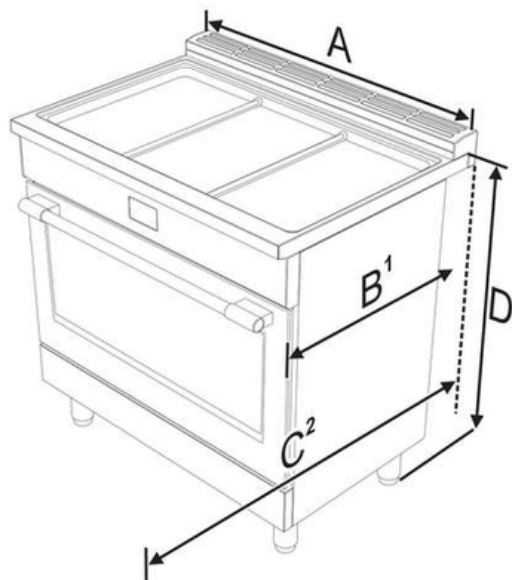
### Installation

Power Cord Included	Yes
Adjustable Leveling Legs	Yes
LP Conversion Kit Included	Yes
Plinth	Yes
Included Power Cord Type	4-Prong Plug

### Safety Certifications and Approvals

CSA Listed	Yes
RoHS	Yes

### Installation Diagram



<b>A</b>	912.4 mm	35 15/16"
<b>B<sup>1</sup></b>	min: 654 mm max: 658 mm	min: 25 3/4" max: 25 7/8"
<b>C<sup>2</sup></b>	1116 mm	43 15/16"
<b>D</b>	min: 893.8 mm max: 944.6 mm	min: 35 3/16" max: 37 3/16"

<b>E</b>	min. 914 mm	min. 36"
<b>F</b>	628 mm	24" 5/8
<b>G</b>	min. 508 mm	min. 20"
<b>H</b>	min. 914 mm	min. 36"
<b>I</b>	min. 457 mm	min. 18"
<b>J</b>	see notes below	
<b>K</b>	max. 330 mm	max. 13"

1. Measurement **B** varies according to the model: the minimum is obtained without the rear spacers (see "Island installation") and the maximum is obtained for traditional installation (slot-in installation - with the rear spacers).
2. Measurement **C** refers to the open door.

Clearance **J** can have the following values:

- **J = 36" / 914 mm** minimum clearance between the top of the cooking surface and the bottom of an unprotected wood or metal cabinet.
- **J = 30" / 762 mm** minimum when the bottom of wood or metal cabinet is protected by not less than 1/4-inch-thick flame-retardant millboard covered with not less than No. 28 MSG sheet steel, 0.015-inch-thick stainless steel, 0.024-inch-thick aluminum, or 0.020-inch-thick copper. Clearances from non-combustible materials are not part of the ANSI Z21.1 scope and are not certified by CSA. Clearances of less than 30" should be approved by the local codes and/or by the local authority having jurisdiction.