

**ASSEMBLY INSTRUCTIONS**  
**COASTER FINE FURNITURE**



*Fine Furniture for every stage of life*

**461149**  
**Storage Trundle**

ITEM: **461149**

# ASSEMBLY INSTRUCTIONS

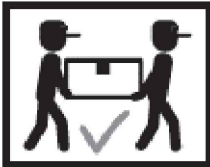
## ASSEMBLY TIPS:

1. Remove hardware from box and sort by size.
2. Please check to see that all hardware and parts are present prior to start of assembly.
3. Please follow attached instructions in the same sequence as numbered to assure fast & easy assembly.



### WARNING!

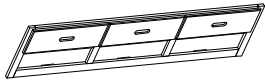
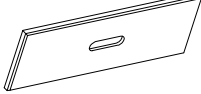

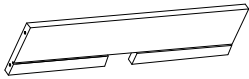
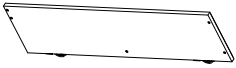




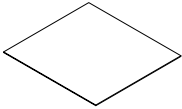


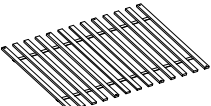
1. Don't attempt to repair or modify parts that are broken or defective. Please contact the store immediately.
2. This product is for home use only and not intended for commercial establishments.



**ASSEMBLY TIME**

**30 MINUTES**

## PARTS IDENTIFICATION

A	FRONT FRAME		1PC	H	FRONT DRAWER PANEL		3PCS
B	BACK PANEL		1PC	I	BACK DRAWER PANEL		3PCS
C	LEFT SIDE PANEL WITH CASTER		1PC	J	RIGHT DRAWER SIDE PANEL		3PCS
D	RIGHT SIDE PANEL WITH CASTER		1PC	K	LEFT DRAWER SIDE PANEL		3PCS
E	TRESTLE BAR		1PC	L	BOTTOM DRAWER PANEL		3PCS
F	MALE DRAWER GLIDE		3PCS	M	FEMALE DRAWER GLIDE		3PCS
G	ROLL SLAT (13PCS)		1SET				

### NOTE:

Phillips head screw driver is required in the assembly process; however, manufacturer does not provide this item.

ITEM: **461149**

## ASSEMBLY INSTRUCTIONS

### ASSEMBLY TIPS:


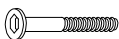




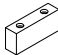
1. Remove hardware from box and sort by size.
2. Please check to see that all hardware and parts are present prior to start of assembly.
3. Please follow attached instructions in the same sequence as numbered to assure fast & easy assembly.



### WARNING!

1. Don't attempt to repair or modify parts that are broken or defective. Please contact the store immediately.
2. This product is for home use only and not intended for commercial establishments.

## HARDWARE IDENTIFICATION

1	<b>LONG BOLT</b> (1/4 x 60mm Ø15 - BLK)		4PCS	5	<b>SHORT BOLT</b> (1/4 x 30mm Ø12 - BLK)		12PCS
2	<b>HALF ROUND NUT</b> (1/4 x 15mm - BLK)		4PCS	6	<b>WOOD DOWEL</b> (8 x 30mm)		2PCS
3	<b>FLAT HEAD SCREW</b> (4 x 35mm - BLK)		66PCS	7	<b>ALLEN WRENCH</b> (4 x 58MM - BLK)		1PC
4	<b>WOOD RAIL</b> (20 x 30 x 60mm)		2PCS				

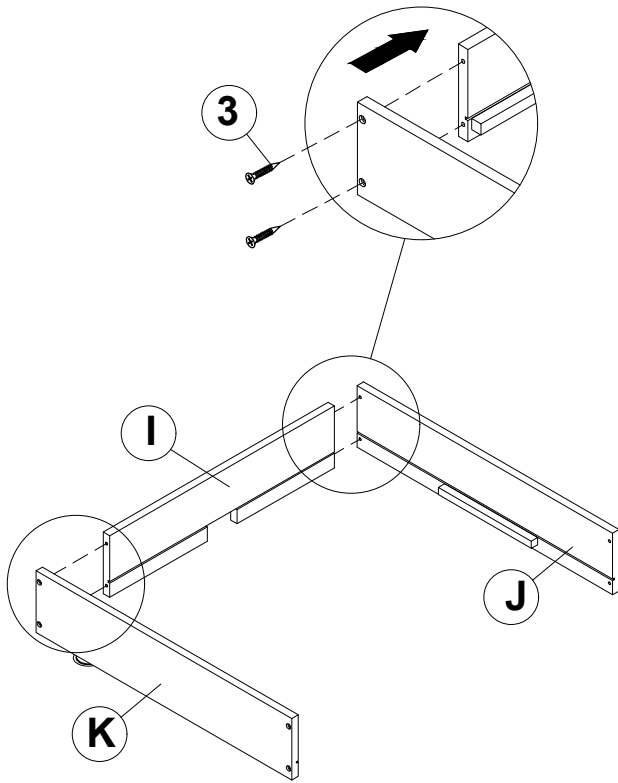
### NOTE:

Phillips head screw driver is required in the assembly process; however, manufacturer does not provide this item.

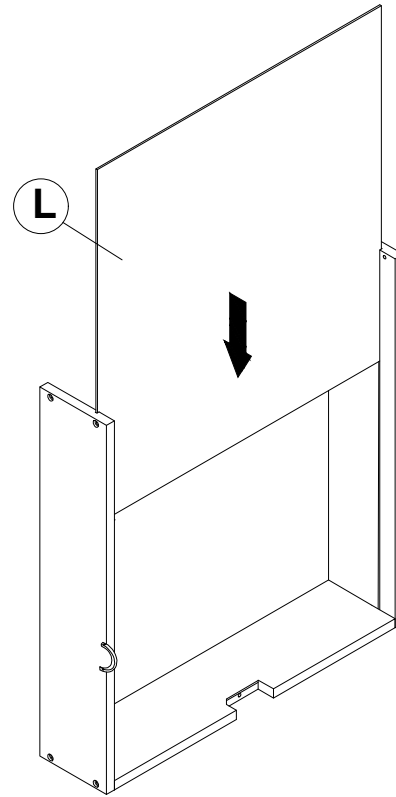
ITEM: **461149**

**ASSEMBLY INSTRUCTIONS**

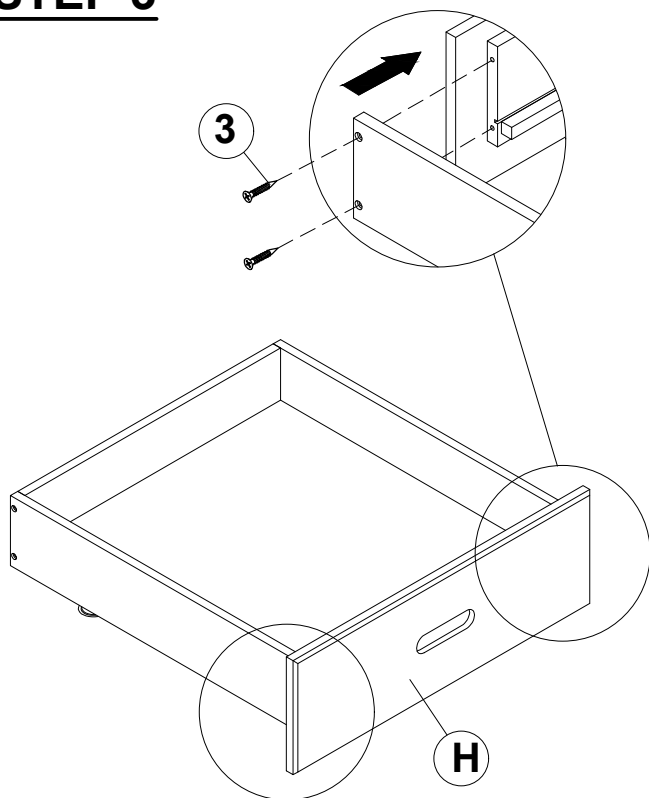
**STEP 1**



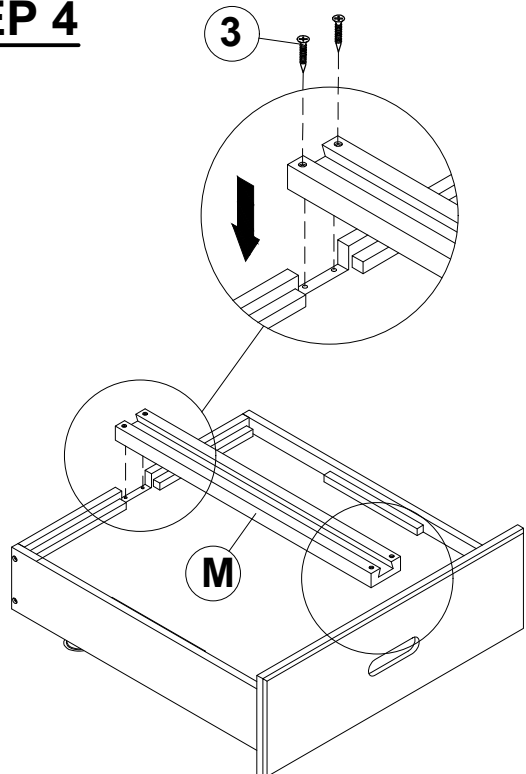
**STEP 2**



**STEP 3**

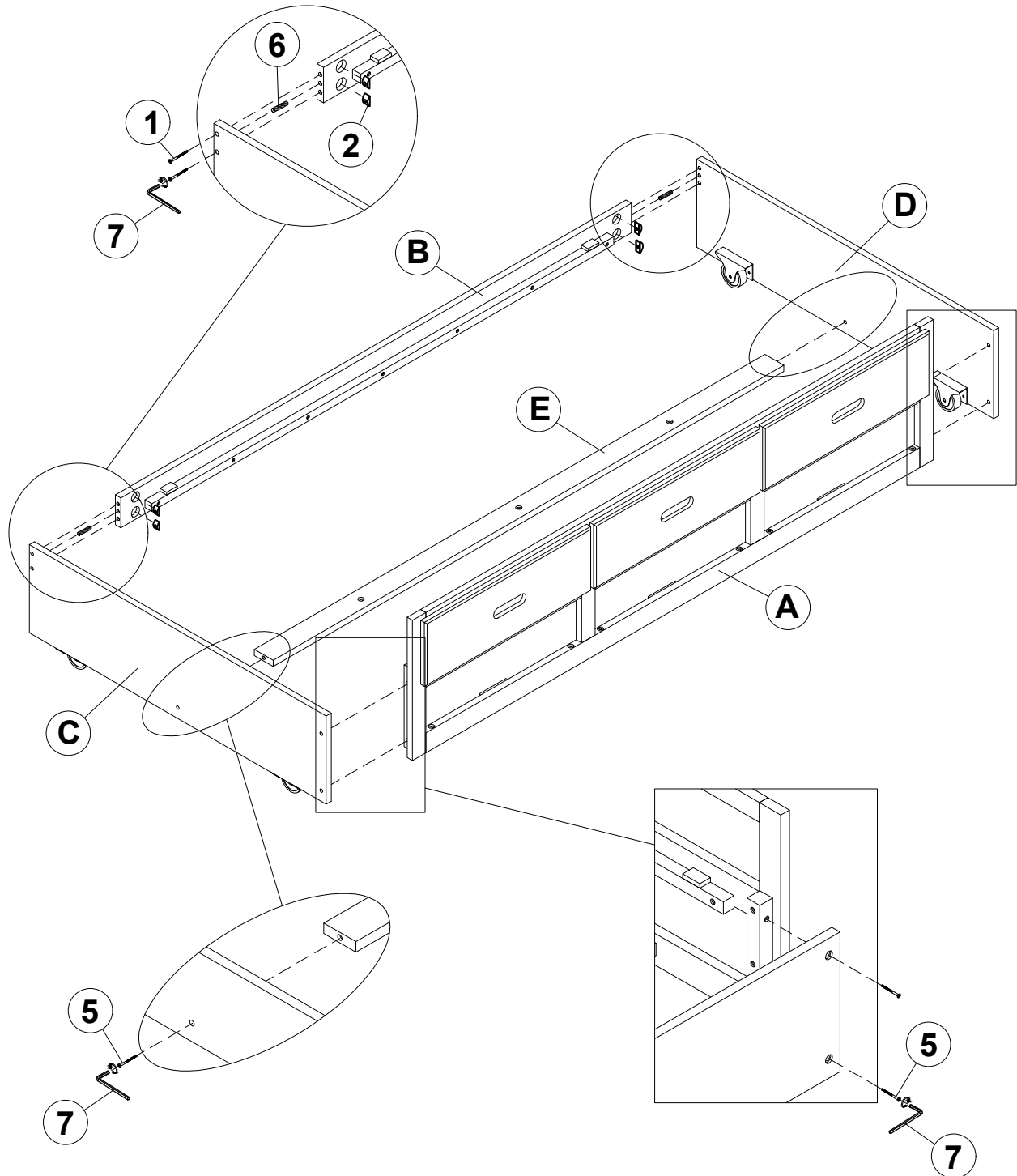


**STEP 4**



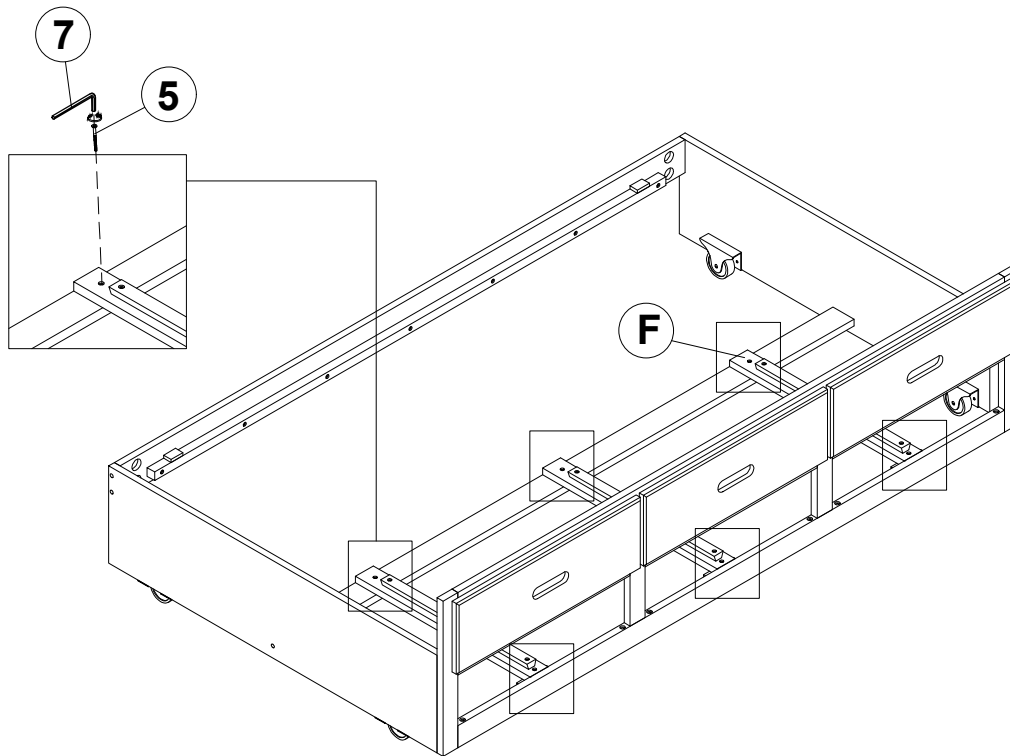
ITEM: **461149**  
**ASSEMBLY INSTRUCTIONS**

**STEP 5**

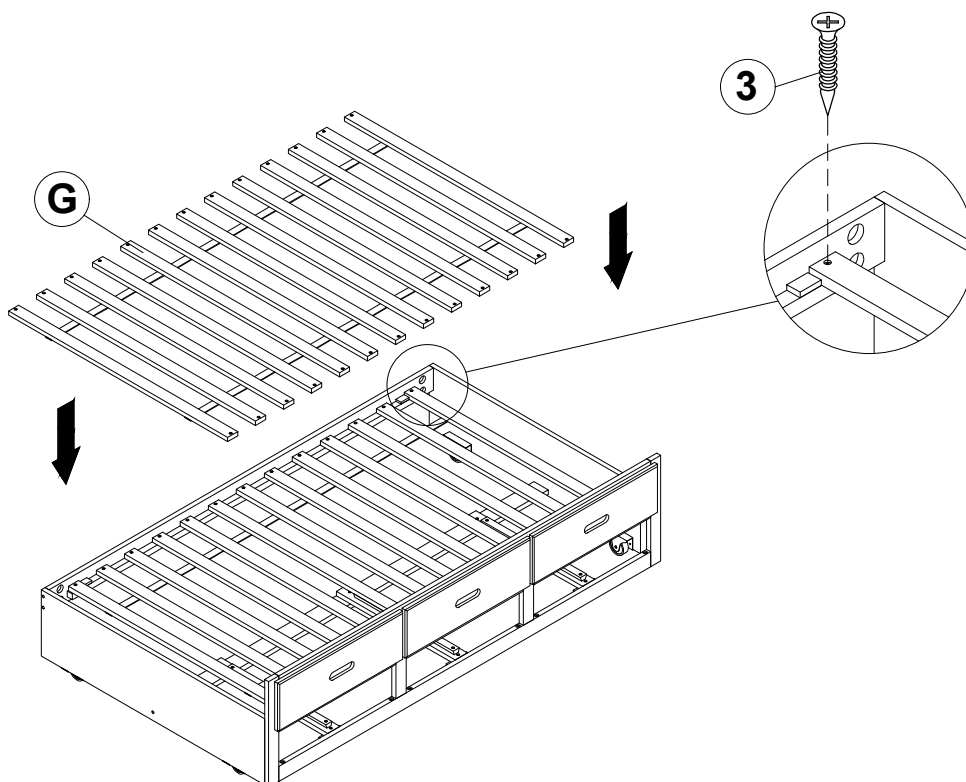


ITEM: **461149**  
**ASSEMBLY INSTRUCTIONS**

**STEP 6**

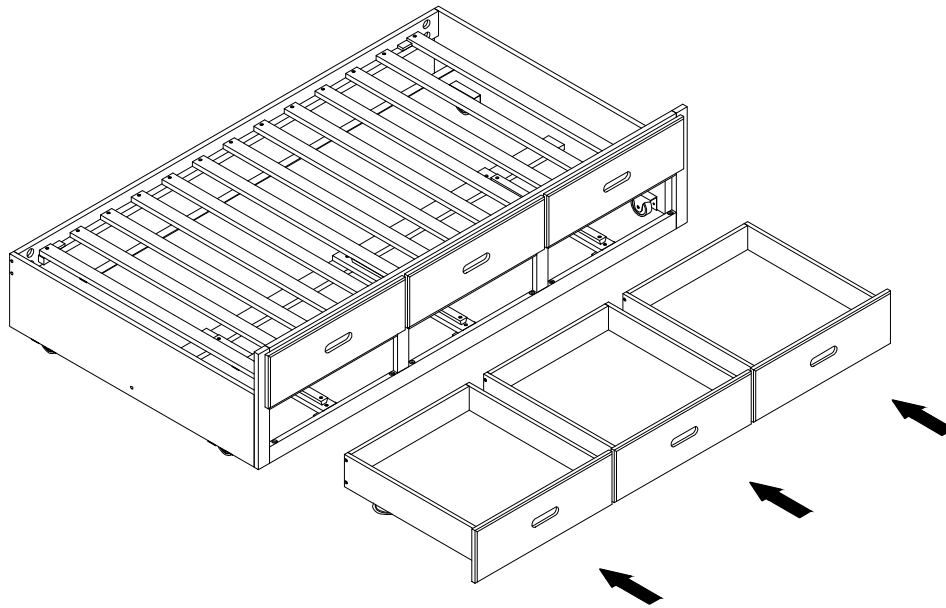


**STEP 7**

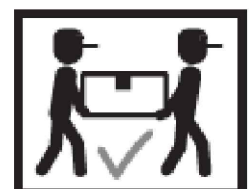
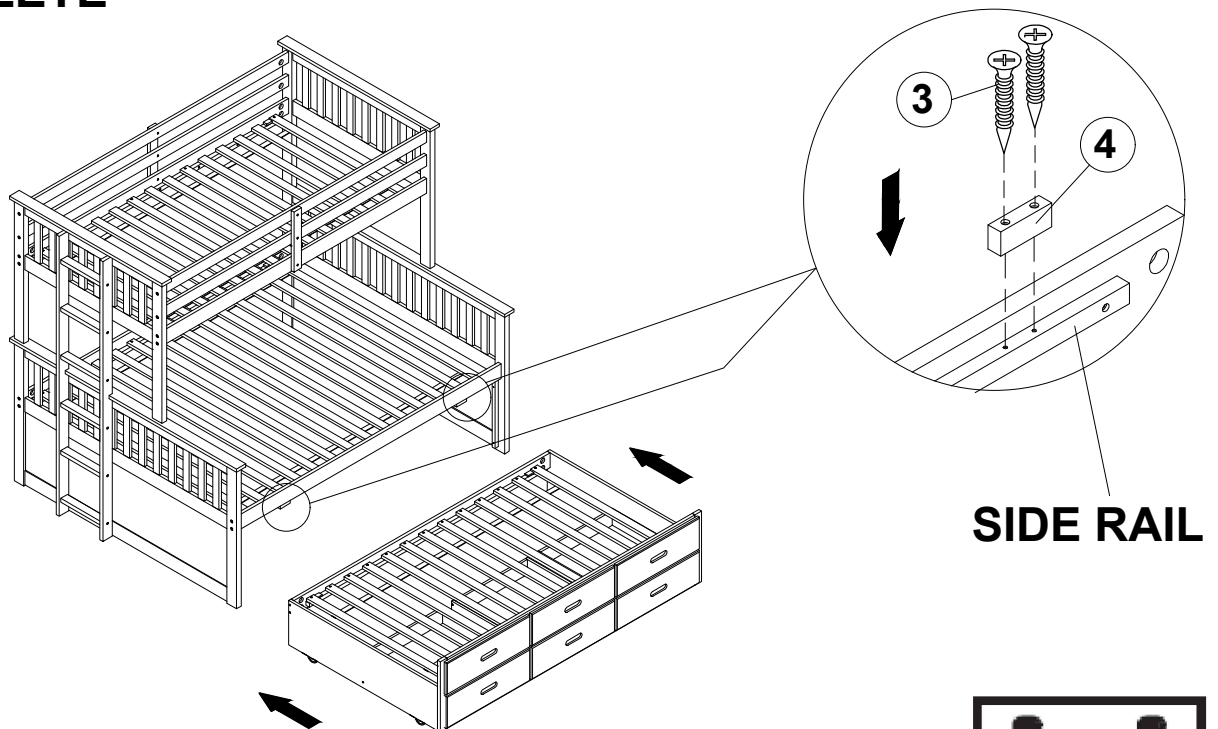


ITEM: **461149**  
**ASSEMBLY INSTRUCTIONS**

**STEP 8**



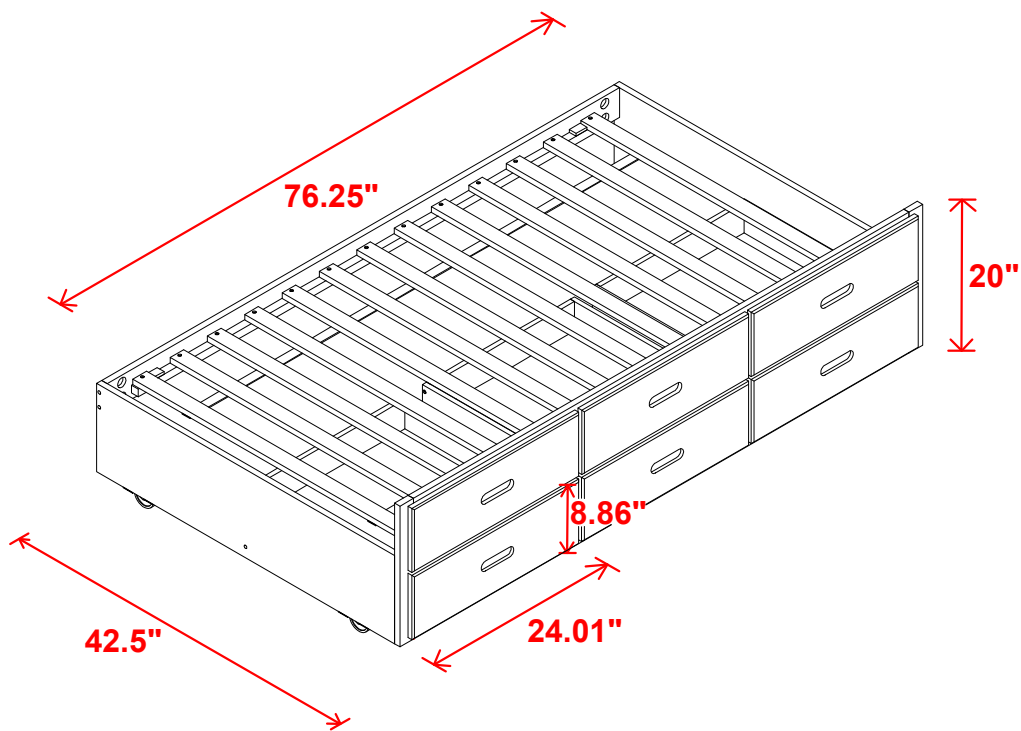
**STEP 9**  
**COMPLETE**



ITEM: 461149

INNER SIZE: 39.37" X 74.8"

INNER SIZE OF DRAWER: 3.94" X 18.7" X 19.29"



**Note:** Dimension tolerance  $\pm 5\%$