



ASSEMBLY INSTRUCTIONS
COASTER FINE FURNITURE



Fine Furniture for every stage of life

106348
Counter Height Table

ITEM: **106348**



ASSEMBLY INSTRUCTIONS

ASSEMBLY TIPS:

1. Remove hardware from box and sort by size.
2. Please check to see that all hardware and parts are present prior to start of assembly.
3. Please follow attached instructions in the same sequence as numbered to assure fast & easy assembly.

WARNING!

1. Don't attempt to repair or modify parts that are broken or defective. Please contact the store immediately.
2. This product is for home use only and not intended for commercial establishments.



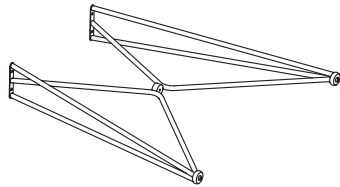
ASSEMBLY TIME

15 MINUTES

PARTS IDENTIFICATION

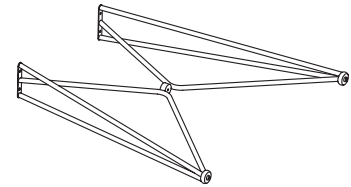
A LOWER LEG

1PC



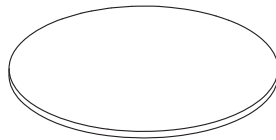
B UPPER LEG

1PC



C TOP

1PC



Z-HARDWARE IDENTIFICATION

1 LONG BOLT
(1/4"x3/4"BLK)



1PC

4 SPRING WASHER
(1/4")



9PCS

2 SHORT BOLT
(1/4"x5/8" BLK)



8PCS

5 WASHER
(1/4")



9PCS

3 ALLEN WRENCH
(4MM-GD)



1PC

NOTE:

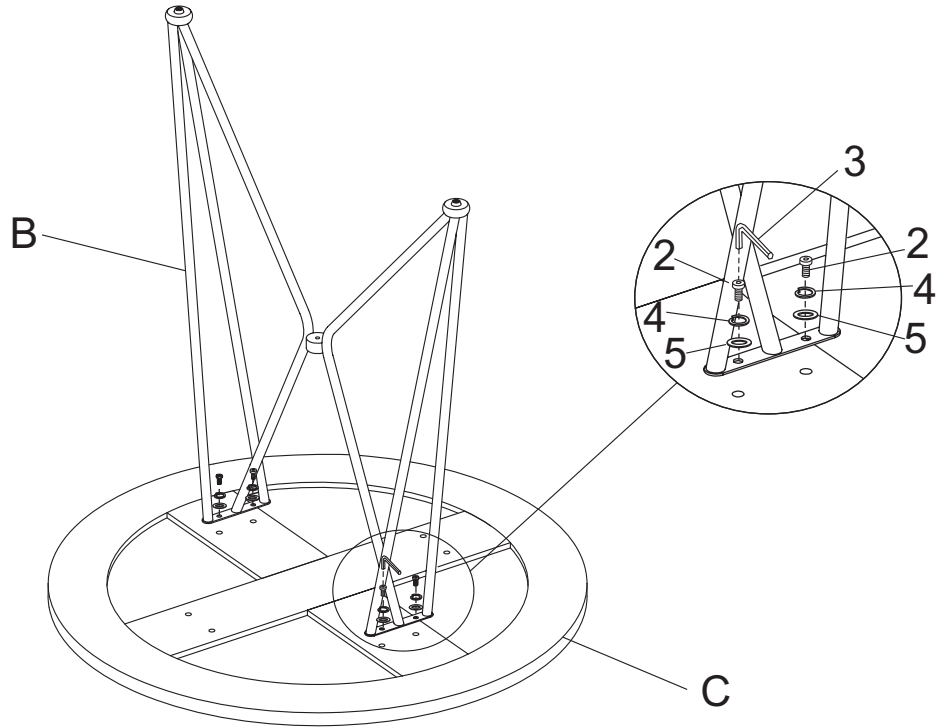
Phillips head screw driver is required in the assembly process; however, manufacturer does not provide this item.

ITEM:106348

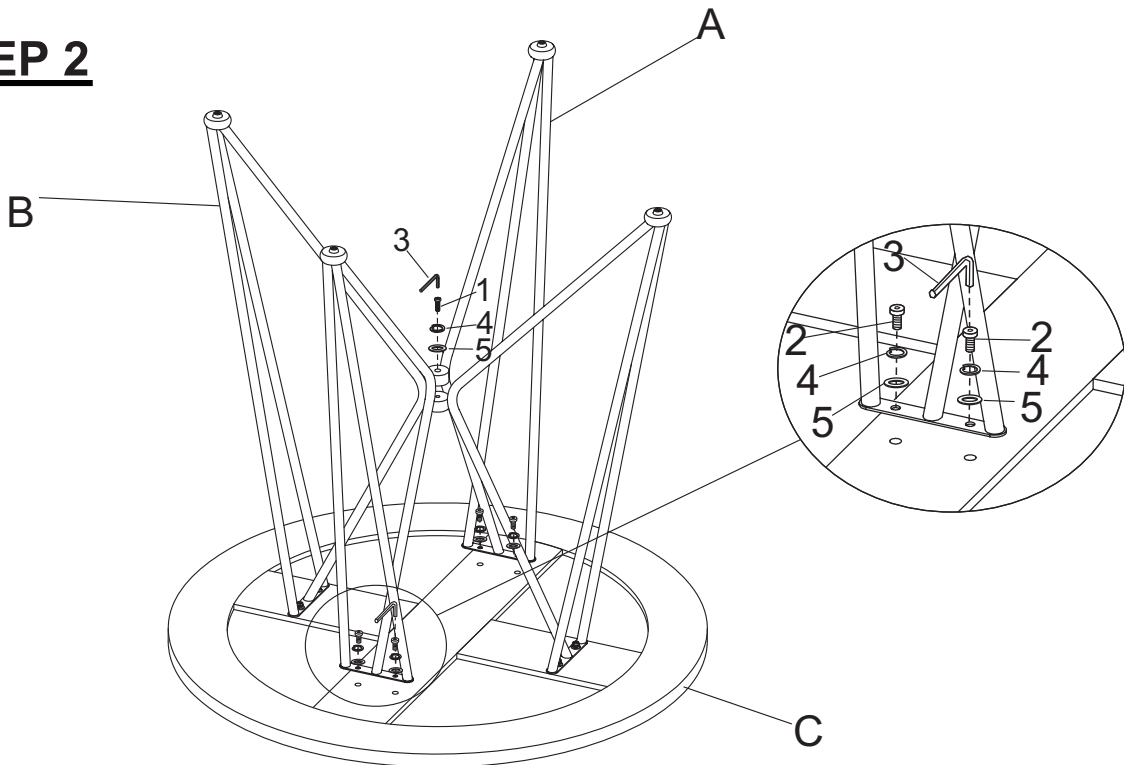


ASSEMBLY INSTRUCTIONS

STEP 1



STEP 2

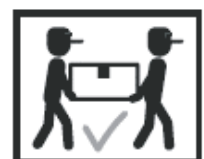


ITEM:106348



ASSEMBLY INSTRUCTIONS

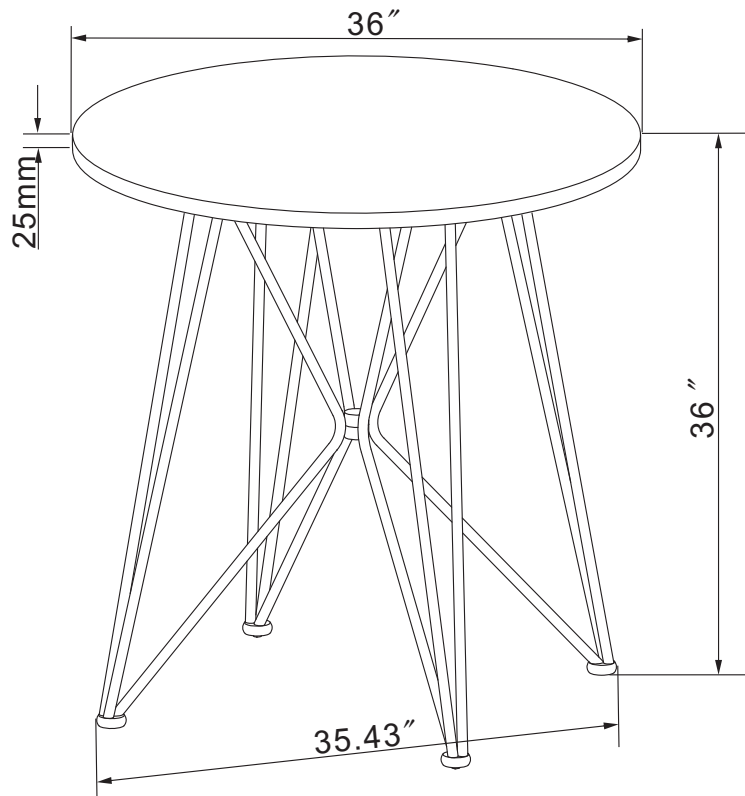
STEP 3



ITEM:106348



ASSEMBLY INSTRUCTIONS



Note:Dimension Tolerance $\pm 5\%$

