



## Front Load Washer

5.1 Cu. Ft. I.E.C Front Load Washer

ELFW7337AW

Available Colors : White

Version : 07/21

### Washer

|                        |                 |
|------------------------|-----------------|
| Drum Light             | No              |
| Drum Material          | Stainless Steel |
| Maximum Spin Speed     | 1,100 RPM       |
| Water Heater           | No              |
| Water Level Adjustment | Yes             |

### Washer Cycles

|                |     |
|----------------|-----|
| Cycle Count    | 7   |
| Clean Washer   | Yes |
| Delicates      | Yes |
| Fast Wash      | Yes |
| Heavy Duty     | Yes |
| Normal         | Yes |
| Rinse and Spin | Yes |
| Whites         | Yes |

### Washer Options

|                  |            |
|------------------|------------|
| Delay Start Time | 1-12 Hours |
| Extended Refresh | Yes        |
| Extra Rinse      | Yes        |

### Soil Levels

|             |     |
|-------------|-----|
| Extra Light | Yes |
| Light       | Yes |
| Normal      | Yes |
| Heavy       | Yes |

### Temperature Settings

|          |     |
|----------|-----|
| Eco Cold | Yes |
| Cool     | Yes |
| Warm     | Yes |
| Hot      | Yes |

### Washer Spin Speeds

|                       |   |
|-----------------------|---|
| Spin Speed Selections | 4 |
|-----------------------|---|

|         |     |
|---------|-----|
| High    | Yes |
| Medium  | Yes |
| Low     | Yes |
| No Spin | Yes |

### Controls

|                     |     |
|---------------------|-----|
| Cancel              | Yes |
| Cycle Status Lights | Yes |
| Delay Start         | Yes |
| Control Lock        | Yes |
| Pause Function      | Yes |
| Power On/Off        | Yes |
| Start               | Yes |

### Dispenser

|                           |     |
|---------------------------|-----|
| Bleach Dispenser          | Yes |
| Detergent Dispenser       | Yes |
| Fabric Softener Dispenser | Yes |

### Exterior

|                 |     |
|-----------------|-----|
| Door Latch      | Yes |
| Reversible Door | Yes |

### Dimensions and Volume

|                             |             |
|-----------------------------|-------------|
| Height                      | 38"         |
| Width                       | 27"         |
| Depth                       | 32"         |
| Washer Drum Capacity I.E.C. | 5.1 Cu. Ft. |

### Electrical Specifications

|                          |         |
|--------------------------|---------|
| Minimum Circuit Required | 15 Amps |
| Voltage Rating           | 120 V   |

### Energy Data

|                         |          |
|-------------------------|----------|
| Integrated Water Factor | 3.2      |
| kWh/cycle               | 0.17 kWh |

High standards of quality at Electrolux Home Products, Inc. mean we are constantly working to improve our products. We reserve the right to change specifications or discontinue models without notice.

Electrolux Major Appliances, N.A.

USA • 10200 David Taylor Drive • Charlotte, NC 28262 • Charlotte, NC 28262 • 1-877-4electrolux (1-877-435-3287) • [electroluxappliances.com](http://electroluxappliances.com)

CANADA • 5855 Terry Fox Way • Mississauga, ON L5V 3E4 • 1-800-265-8352 • [electroluxappliances.ca](http://electroluxappliances.ca)

## 5.1 Cu. Ft. I.E.C Front Load Washer

ELFW7337AW

Version : 07/21

|                        |               |
|------------------------|---------------|
| kWh/year               | 50 kWh        |
| Modified Energy Factor | 2.76          |
| Water Usage/Year       | 4,154 Gallons |

### Installation

|                   |     |
|-------------------|-----|
| Optional Pedestal | Yes |
| Stackable         | Yes |

### General Specifications

|                      |         |
|----------------------|---------|
| Chime On / Chime Off | Yes     |
| Leveling Legs        | Yes     |
| Product Weight       | 217 lbs |
| Prop 65 Label        | No      |
| Warranty - Labor     | 1 Year  |
| Warranty - Parts     | 1 Year  |

### Performance Certifications and Approvals

|                       |        |
|-----------------------|--------|
| CEE Tier              | Tier 1 |
| ENERGY STAR Certified | Yes    |
| High Efficiency       | Yes    |

### Safety Certifications and Approvals

|           |     |
|-----------|-----|
| UL Listed | Yes |
|-----------|-----|

High standards of quality at Electrolux Home Products, Inc. mean we are constantly working to improve our products. We reserve the right to change specifications or discontinue models without notice.

Electrolux Major Appliances, N.A.

USA • 10200 David Taylor Drive • Charlotte, NC 28262 • Charlotte, NC 28262 • 1-877-4electrolux (1-877-435-3287) • [electroluxappliances.com](http://electroluxappliances.com)

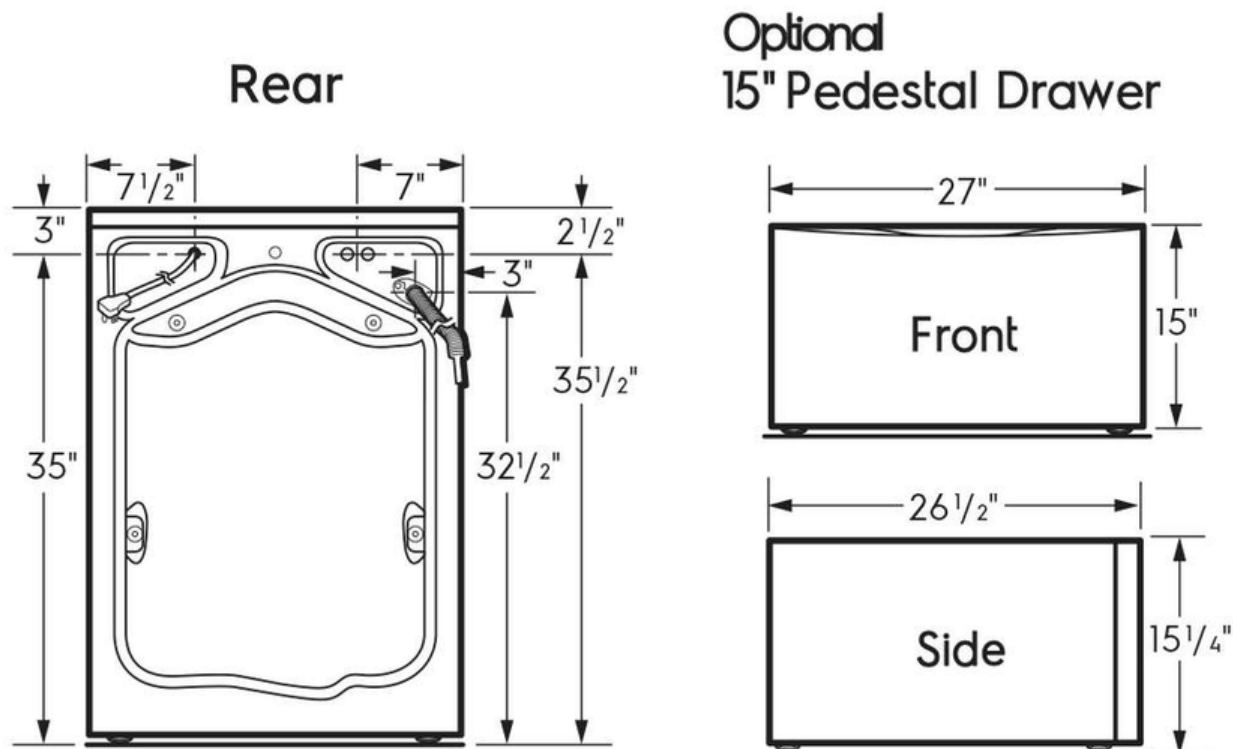
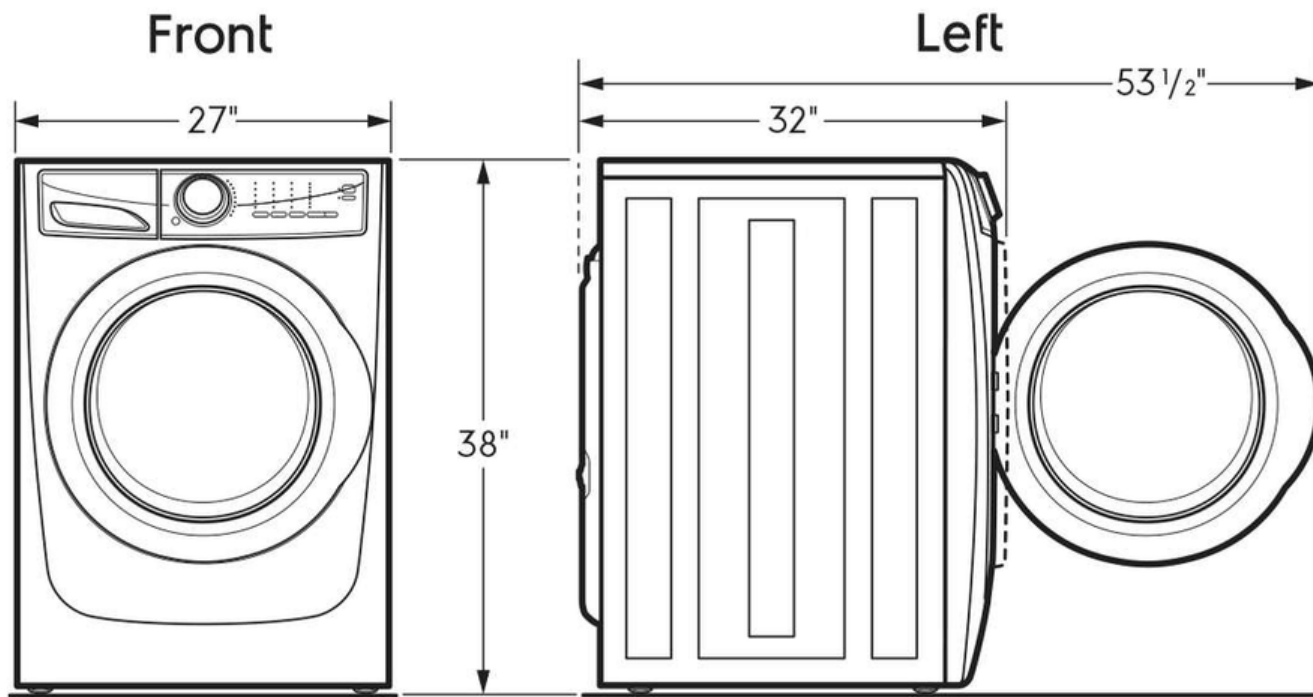
CANADA • 5855 Terry Fox Way • Mississauga, ON L5V 3E4 • 1-800-265-8352 • [electroluxappliances.ca](http://electroluxappliances.ca)

# Electrolux

5.1 Cu. Ft. I.E.C Front Load Washer

ELFW7337AW

Version : 07/21



High standards of quality at Electrolux Home Products, Inc. mean we are constantly working to improve our products. We reserve the right to change specifications or discontinue models without notice.

Electrolux Major Appliances, N.A.

USA • 10200 David Taylor Drive • Charlotte, NC 28262 • Charlotte, NC 28262 • 1-877-4electrolux (1-877-435-3287) • [electroluxappliances.com](http://electroluxappliances.com)

CANADA • 5855 Terry Fox Way • Mississauga, ON L5V 3E4 • 1-800-265-8352 • [electroluxappliances.ca](http://electroluxappliances.ca)