



# SYNERGY SYSTEM™ IN-CABINET SPEAKERS

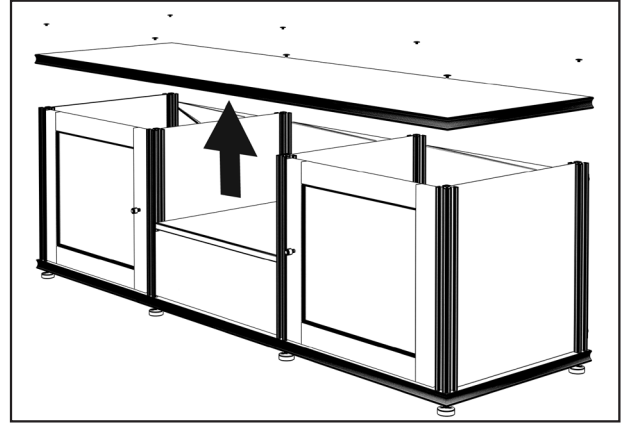
1

Attach speaker bracket to speaker. *Do not over tighten center screw as this could limit movement.*



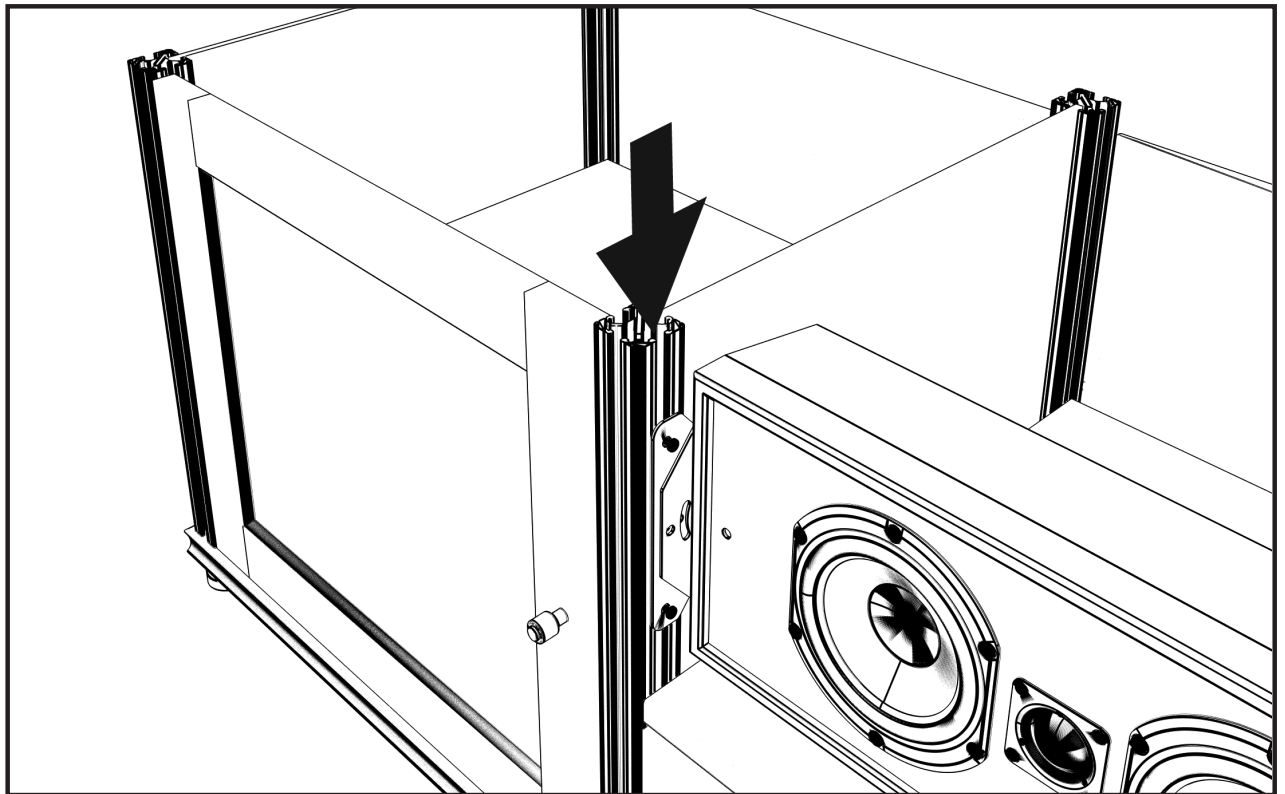
2

Remove top panel.



3

Insert speaker by sliding down posts level, with flat nuts loosely installed to post slots.

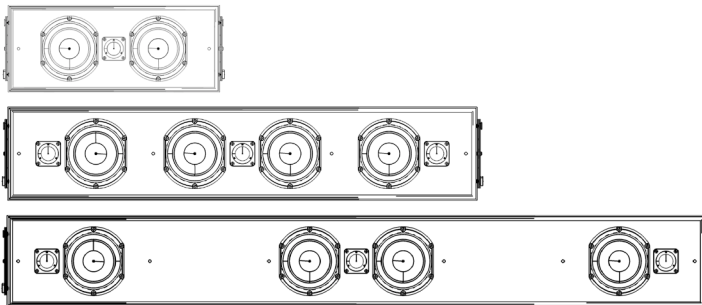
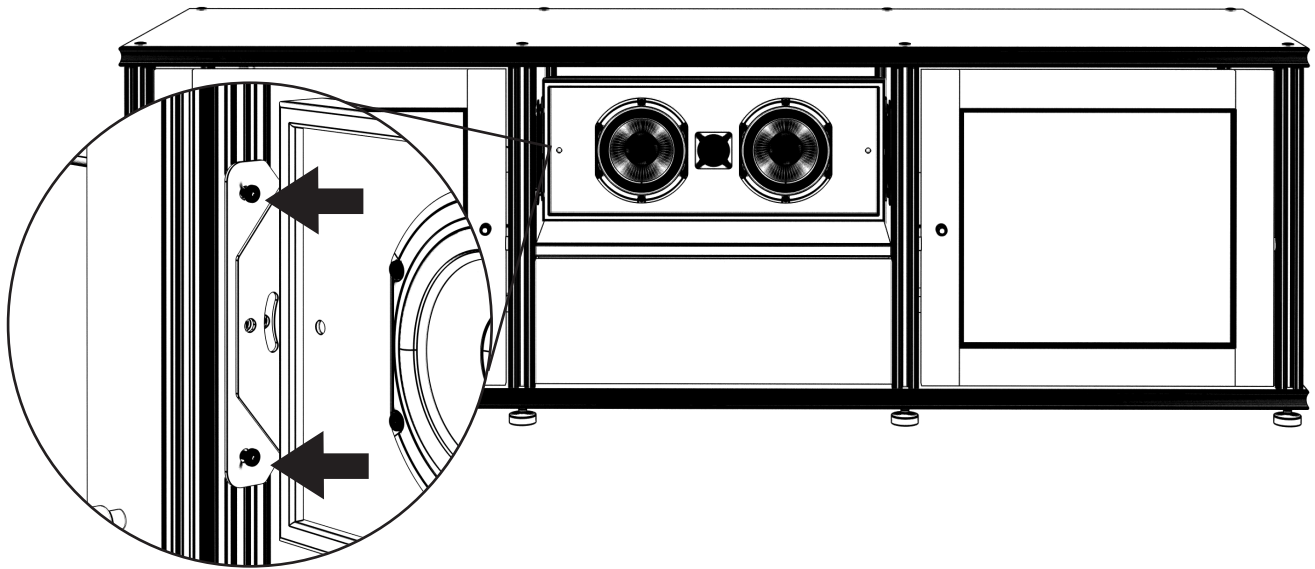




# SYNERGY SYSTEM™ IN-CABINET SPEAKERS

4

- A - Reinstall Top Panel
- B - Center speaker vertically giving equal space above and below speaker.  
*A book, magazine or similar item works well to maintain desired height.*
- C - Tighten brackets to post.



**SALAMANDER**  
DESIGNS

#### Limited Warranty

For five full years Salamander Designs Ltd will repair or replace, at our option, any product defective in materials or craftsmanship. Salamander Designs Ltd. will not be responsible for any damage to or destruction of other equipment consequential to our equipment failure. Defective product must be given Return Authorization and is to be returned to the factory prepaid, in the original carton and packing material. Any damage incurred in a shipment not in original packaging shall be the responsibility of the owner. Warranty repairs will be returned prepaid, via UPS within the continental U.S.A. only.

©2013 Salamander Designs Ltd.

Doc No. 500-782 v11.13