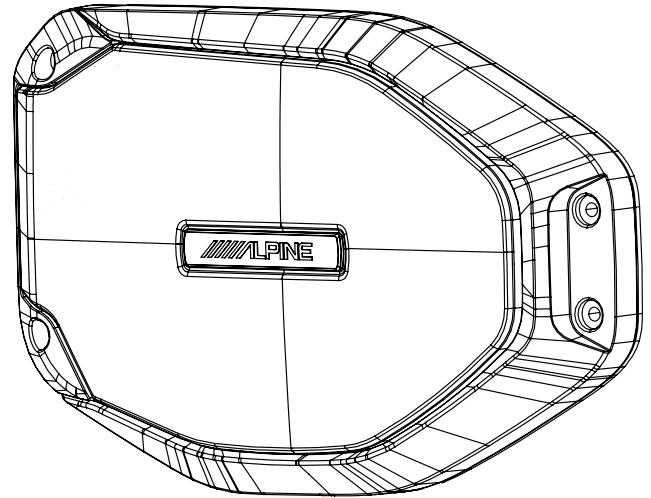


SPV-65-JLT

6.5" 2-Way Component System Soundbar

Installation Manual

- Model: Wrangler JL 2018-Up
 - Model: Gladiator JT 2020-Up
- **Not compatible with OEM amplified systems



* The specified vehicles have been tested and have met compatibility specs at the time of testing. Compatibility is not guaranteed if the manufacturer has made production changes to the listed vehicles above.

Introduction

- Congratulations on purchasing the SPV-65-JLT. This installation manual is designed to take you through the step-by-step installation of SPV-65-JLT into a 2018-Up Jeep Wrangler JL or Jeep Gladiator JT 2020-Up. Please familiarize yourself with the owners manual as this is a challenging installation. If you still have additional questions please call 1-800-TECH-101.

Note

- Design and specifications are subject to change without notice for improvement.

To Ensure Safe Use, Always Follow These Precautions

- The installation of this product requires specialized skills and experience. We recommend that you have the product installed by an Alpine authorized dealer.
- Before you use this product, be sure to carefully read this installation manual and the separate user's manual so that you can use the product correctly. Alpine Electronics bears no responsibility for problems that arise as a result of failure to follow the instructions in the manuals.
- This manual includes a number of symbols that are intended to help you use the product safely, to prevent harm to you and others, and to protect against damage to property. These symbols and their meanings are listed below. Make sure you fully understand these symbols before you begin reading the main text.

Explanations of Injury and Damage That May Result from Incorrect Use

Warning	Ignoring the content marked by this indication and using the product incorrectly is expected to lead to death or serious injury.
Caution	Ignoring the content marked by this indication and using the product incorrectly is only expected to lead to injury or property damage.

Types of Precautions

	Indicates actions that are forbidden (must not be performed)
	Indicates that disassembly is forbidden.
	Indicates actions that are mandatory (must be performed)
	Marks content that should receive your full attention.

Warning

Do not disassemble or modify the product. Doing so could lead to an accident, fire, or electric shock. Forbidden

Store screws and other small objects where children cannot reach them. If one of those small objects is swallowed, consult with a doctor immediately.

When replacing fuses be sure to use the fuses with the specified current rating. Failing to do so could lead to an accident or fire. Mandatory Forbidden

Only connect the product to a 12 VDC negative ground car. Failing to do so could lead to an accident or fire. Mandatory

Do not cut the insulation on a cord and take power from another device. Doing so could lead to fire or electric shock. Forbidden

Do not install the product in a location where it will obstruct the driver's forward view; interfere with the operation of the steering wheel, gear shift, or the like; or pose a threat to passengers. Doing so could lead to an accident or injury. Forbidden

When making a hole in the vehicle body, be careful to avoid damaging pipes, the fuel tank, electrical wiring, and the like. This kind of damage could lead to an accident or fire.

When installing and grounding the product, do not use any of the bolts or nuts of the steering wheel, brakes, fuel tank, or the like. Doing so could make the brakes stop working or could lead to fire. Forbidden

Do not install the product near the passenger-side airbag. Doing so could interfere with the operation of the airbag and lead to an accident or injury. Forbidden

Bundle cords so that they don't interfere with driving. Wrapping cords around the steering wheel, gearshift, brake pedal, or the like could lead to an accident or damage equipment.

Caution

Connect the product properly according to the instructions. Failing to do so could lead to fire or an accident. Forbidden

Do not sandwich cords between the seat railing or allow them to touch protrusions. Resulting breaks or shorts could lead to electric shock or fire.

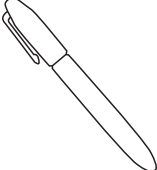
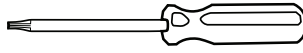
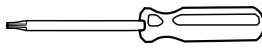
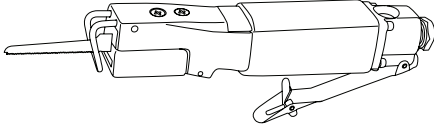
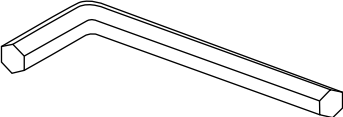
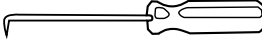
Do not block vents or heat sinks. Doing so could lead to fire or damage equipment.

Use the accessories according to the instructions, and attach them securely. Failing to do so could lead to an accident or damage equipment. Forbidden

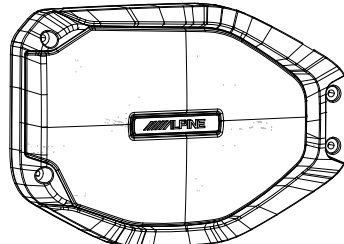
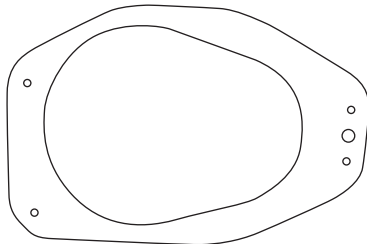
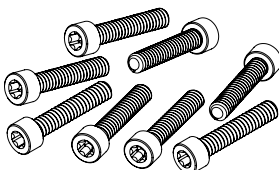
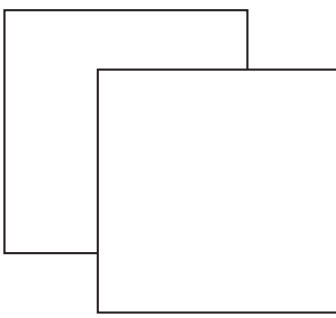
Do not install the product where it may be exposed to water or in a place with high levels of humidity or dust. Doing so could lead to fire or damage equipment. Forbidden

The installation and wiring of this product requires specialized skills and experience. Have the product installed by an Alpine authorized dealer.

Tools Potentially Needed

Permanent Marker	T30 Torx Driver	T20 Torx Driver
		
Air Saw	5mm Allen Wrench	Hook Tool
		

Accessory List

Speakers With Attached Adapter Plate x 2	Template	Replacement Bolts x 8
		
Polyfill Sheets		
		

Rear Soundbar Speaker Removal & Installation (2018-Up)

- 1 Extract the (4) 5mm allen head bolts and remove factory grills.



- 2 Extract (5) T20 torx from the speakers. Extract (4) T30 torx from the port and remove.



- 3 Use a pick tool to disconnect the speakers and remove them.



- 4 Remove grommet holding speaker wire in place and secure speaker wire out of the way.



Rear Soundbar Speaker Removal & Installation (2018-Up)

- 5 Use supplied template and mark area of each side for soundbar cutting.



- 6 With a reciprocating air saw or preferred cutting device, carefully cut following markings from Step 5. Be careful on cutting depth. Failure to do so will result in cutting through the soundbar.



- 7 Fill the right and left speaker cavities using (1) of the supplied polyfil sheets per cavity.



- 8 Plug in the speaker. Use the supplied replacement bolts (not the OEM 5mm allen heads) and mount the speaker in the bar.



Specifications

Continuous Power Handling (RMS)	90W
Woofer Size	6-1/2"
Nominal Impedance	4 Ohms
Frequency Response	50-22kHz
Voice Coil Resistance (Re)	3.6 Ohms
Free Air Resonance (Fs)	49 Hz
Efficiency	87.8 dB @ 1W / 1m
Electrical "Q" (Qes)	.61
Mechanical "Q" (Qms)	11.19
Total Speaker "Q" (Qts)	.57
Equivalent Compliance (Vas)	20.17 Liters
Moving Mass (Mms)	14.22
Mechanical Compliance (Cms)	735.84 mm/N
Magnetic Strength (BL)	5.13 T-m
Effective Piston Area (Sd)	21.5 sq in
One Way Linear Excursion (Xmax)	4.9mm
IP Rating	IP55