

- Blue interior light
- Full wrapped stainless-steel exterior
- Articulating, concealed self-closing hinges with built-in door stop
- Low e, Argon gas-filled triple-paned tempered glass door with UV coating
- Multifunction capacitive touch electronic control
- Temperature range: 34°F to 65°F
- Fan-assisted cooling system allows for even temperatures, quicker cooldown times, and added efficiency
- Full-length flush LED theater lighting can be set to display your collection for 4 or 6 hours or schedule Nightlight feature
- Adaptable Racking System includes 3 stainless front, full-extension racks with 2 tempered glass shelf inserts and 1 gray vinyl-clad wine rack insert. Optional shelf inserts include gray vinyl-clad wine rack inserts and/or chrome-plated wire shelf inserts making it easy to adapt to food and beverage storage needs
- Clear bottom crisper drawer
- Unit ships right hinged with field-reversible doors
- Stainless model includes 1" diameter stainless steel handle with faceted standoff (26" length)
- Panel Ready model requires 3/4" custom door panel and handle
- Precise Zero Clearance Design allows for unmatched integration into any built-in setting
- 4 independent adaptable leveling legs
- Adaptable grille accepts an integrated toe kick and allows front/back and up/down alignment with adjacent cabinetry and toe kick/plinth
- Automatic defrost
- Lock model available



Stainless



Panel Ready



Stainless with Lock

Model Details

Model	Lock	Finish	Description	Shipping Weight
YPBEV24-PR	No	Panel Ready	24" Bev Center / Glass Door Refrigerator	172 lbs

Dimensions/Weight	Detail
Product Depth	23 3/4"
Product Height	34" - 35"
Product Width	23 7/8"
Product Weight	149 lbs
Product Volume	5.1 cu ft
Shipping Dimensions	26 3/4" x 27 1/2" x 36 3/4"
Shipping Weight	184 lbs

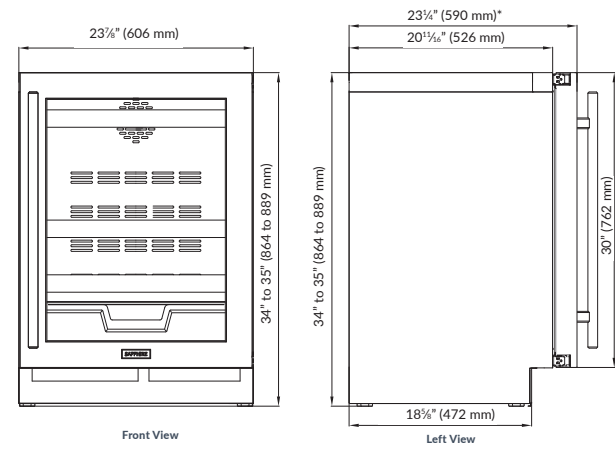
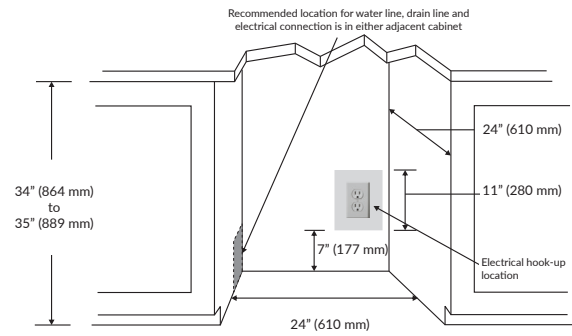
Integration/Panel Information*	Detail
Panel Height	30" - 31"
Panel Thickness	3/4" - 20 mm
Panel Width	23 5/8"

*Refer to manual for all panel dimensions and installation instructions

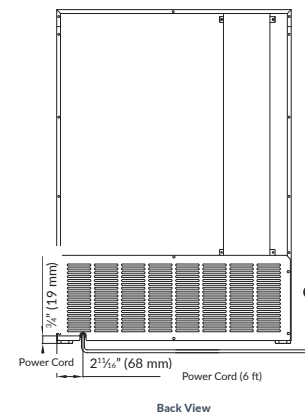
Model	Details
Control Type	Electronic Capacitive Touch with OLED Screen
Indoor or Outdoor	Indoor
Built-in Installation	Inset, Frameless / Overlay and Framed Cabinet Styles
Refrigerant Type	R600

Electrical	Details
Electrical Requirements	115 V / 60 Hz
Volt Range	104 V ~ 127 V
Maximum Amp Fuse	15 amp
Amps Running	0.7 amps

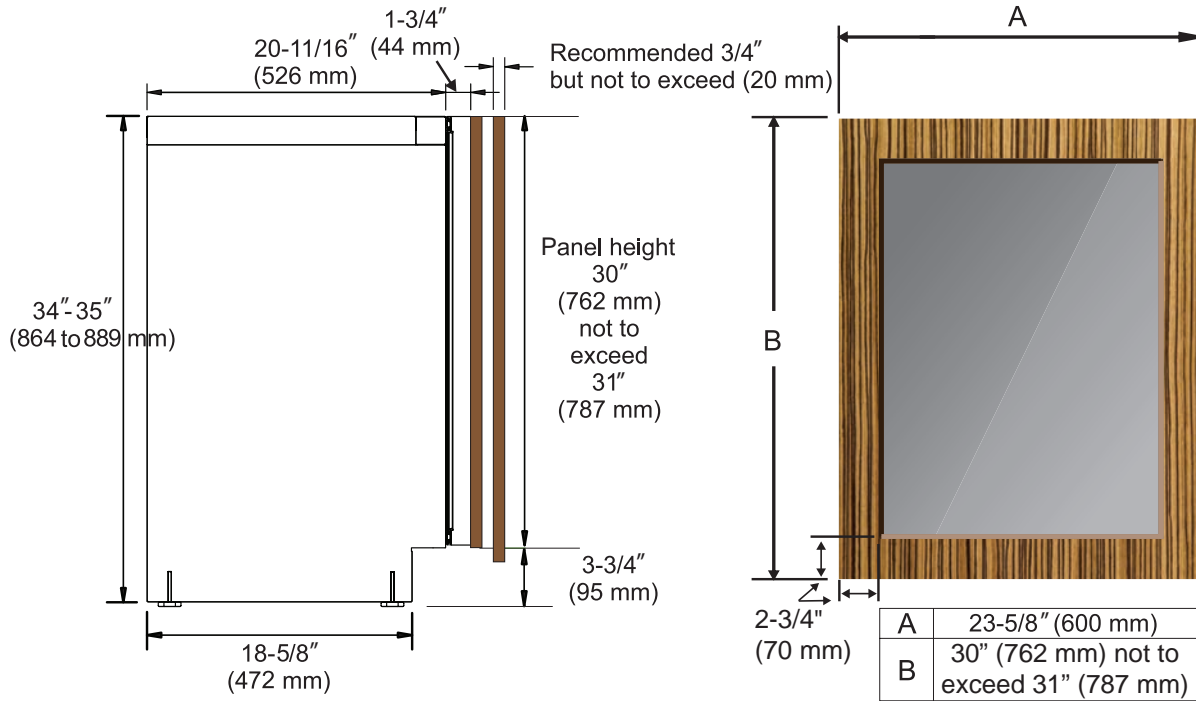
Approvals - Certifications	Details
ETL Residential / Commercial	Yes
ETL Sanitation	Yes
Star K	Yes



*Dimensions are the same for Panel Ready unit when 3/4" panel applied



24-INCH INDOOR FULL-SIZE DOORFRAME



24-INCH ADA HEIGHT-COMPLIANT DOORFRAME

