

## Under Mount Sink

## Specification & Installation Guide

### FEATURES

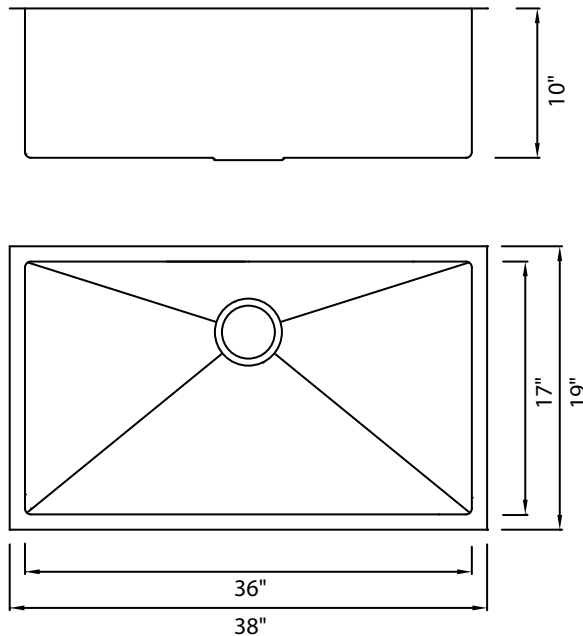
- Under Mount Single Bowl Kitchen Sink
- 10 mm radius corners
- T-304 stainless steel
- 16 Gauge
- 18/10 Chrome-Nickel
- Offset drain hole
- Padded, Undercoated and Sound Proofed.
- This drain hole accepts 3-1/2" U.S. drain fitting.
- Template and Clips Included.
- Min. Sink Base Cutout: 42"



ACCESSORIES MODEL	DESCRIPTION	QUANTITY
SCD-1319-KIT	Drying/Colander/Cutting Board Station	1

STANDARD PACKING	PIECE	SIZE
Single Pack	1 Piece	43" x 24" x 14"

**GROSS WEIGHT**  
43 lbs. / 20 kgs.



### WARRANTY

Yale Appliance sinks are covered by a LIFETIME LIMITED WARRANTY against defects in material and workmanship. Problems attributable to abuse, misuse, improper installation, modification of original products, use of abrasive cleaning products, exposure to corrosive chemicals, lack of maintenance or accidental damage are not covered by this warranty. Liability under all warranties expressed or implied is limited to replacement of defective goods. Yale Appliance is not responsible for any labor cost related to the replacement of damaged or defective material.