

Under Mount Square Sink

Specification & Installation Guide

FEATURES

- Under Mount Single Bowl Square Sink
- 10 mm radius corners
- T-304 stainless steel
- 18/10 Chrome/Nickel
- 16 Gauge
- Offset drain hole
- Padded, undercoated and sound proofed
- This drain hole accepts 3-1/2" U.S. drain fittings
- Template and Clips Included
- Min. Sink Base Cutout: 27"



ACCESSORIES

DESCRIPTION

QUANTITY

MODEL

ACCESSORIES	DESCRIPTION	QUANTITY
SCD-1818	3-in-1 Basket strainer	1

STANDARD PACKING UNITS

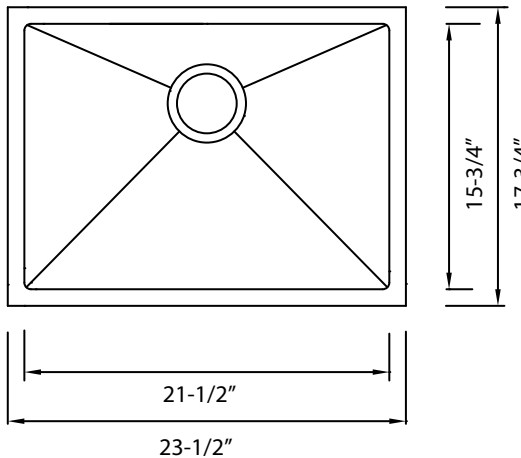
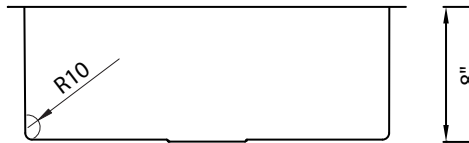
1 piece

PACKAGE SIZE

20" x 20" x 11"

GROSS WEIGHT

24 lbs. / 11 kgs.



WARRANTY

Yale Appliance sinks are covered by a LIFETIME LIMITED WARRANTY against defects in material and workmanship. Problems attributable to abuse, misuse, improper installation, modification of original products, use of abrasive cleaning products, exposure to corrosive chemicals, lack of maintenance or accidental damage are not covered by this warranty. Liability under all warranties expressed or implied is limited to replacement of defective goods. Yale Appliance is not responsible for any labor cost related to the replacement of damaged or defective material.

For clarification, please contact Yale Customer Care at 617-822-5360

All dimensions are approximate and subject to standard tolerance. Specifications subject to change without prior notice.