

GAGGENAU



Controls on top

Left-hinged only

CM 450 712

Stainless steel-backed full glass front

Width 24" (60 cm)

Included accessories

- 1 measuring spoon
- 1 assembly screws
- 1 milk container 17 oz (0.5 liters)
- 1 water hardness test strip
- 1 connection hose for milk frother
- 1 milk tube
- 1 bean container with lid

Optional accessories

(order as spare parts):

Part No. 17000705

Water filter

Part No. 00311819

Descaling tablets

Part No. 00311769

Cleaning tablets

Part No. 00636455

Door hinge restrictor

(92° opening angle)

Part No. 11005967

Stainless steel milk container

Part No. 11015223

Bean container with lid

400 series non-plumbed, fully automatic espresso machine CM 450

- Handleless door/automatic door opening
- Continuous flow heater means no waiting time and constant brewing temperature
- Aroma brewing technology for a full aroma
- Single portion cleaning
- TFT touch display
- Centralized controls for easy use and intuitive operation
- One-touch operation
- Personalization function
- Seven light settings
- Electronic fill level control for milk, water and coffee to ensure a perfect result

Type of beverage

Ristretto / 2 x Ristretto.

Espresso / 2 x Espresso.

Espresso Macchiato / 2 x Espresso Macchiato.

Coffee / 2 x Coffee.

Americano / 2 x Americano.

Caffe Latte / 2 x Caffe Latte.

Latte Macchiato / 2 x Latte Macchiato.

Cappuccino / 2 x Cappuccino.

Flat White / 2 x Flat White.

Milk froth / 2 x Milk froth.

Warm milk / 2 x Warm milk.

Hot water / 2 x Hot water.

Handling

Automatic door opening.

Rotary knobs and TFT touch display operation.

Clear text display in 44 languages.

Personalisation function, option to save 8 individualized beverages.

4 beverage size settings, volume can be individually adjusted to match the size of the cup.

8 coffee strength levels from very mild to extra strong.

3 coffee temperature levels.

10 hot water temperature levels.

4 coffee-milk ratio levels.

Adjustable grinding level.

Height-adjustable coffee dispenser 2 3/4" - 5 7/8".

Easy access to water tank, milk and coffee bean container behind the door.

Features

Maintenance-free grinding unit with ceramic discs.

Separate drawer for second ground coffee type.

Water pump with 19 bar pressure.

Double grinding and brewing cycles for extra intensity for single beverage order.

For double beverage order, two grinding and brewing cycles.

Beverage dispenser with integrated milk system.

Insulated stainless steel milk container for up to 17 oz. (0.5 liters).

Integrated LED lighting.

Removable 1.1 lbs. (0.5 kg) bean container with aroma lid allows for an effortless exchange of different types of coffee beans.

Automatic adjustment of ground coffee quantity.

Removable 81 oz. (2.4 liter) water tank.

Electronic water filter exchange indicator.

Electronic fill level control for drip tray and container for coffee residue.
Sleep mode.
Child lock.

Home network integration for digital services (Home Connect) either via cable connection LAN (recommended) or wireless via WiFi.

The use of the Home Connect functionality depends on the Home Connect services, which are not available in every country. For further information please check: home-connect.com.

Cleaning

Fully automatic rinse program when machine is turned on/off.

Automatic steam cleaning of the milk system after every beverage.

Automatic cleaning and descaling program.

Emptying program to prepare the appliance for holiday or transportation.

Empty-grinding function to remove coffee residues from the system when switching bean types.

Removable brewing unit.

Dishwasher-safe coffee residue container and drip tray.

Dishwasher-safe beverage dispenser.

Planning notes

Ideal installation height 3.1 ft - 4.8 ft. (top edge of bottom niche).

The front of the appliance extends 1 7/8" from the furniture cavity.

When installing in a corner a side clearance is required.

Door opening angle approx. 110° (delivery status) - mounting distance to the wall has to be at least 13 3/4".

Door opening angle approx. 155° - mounting distance to the wall has to be at least 25 3/16".

Door opening angle approx. 92° - mounting distance to the wall has to be at least 3 15/16" (spare part No. 00636455).

Installation directly above WS461 (5 3/8" tall) high warming drawer.

If necessary, the transformer can be placed in an adjacent cabinet. Note that the length of the power cable between the transformer and appliance is 23 1/2" (600 mm).

The LAN port can be found at the back on the lower right side.

Rating

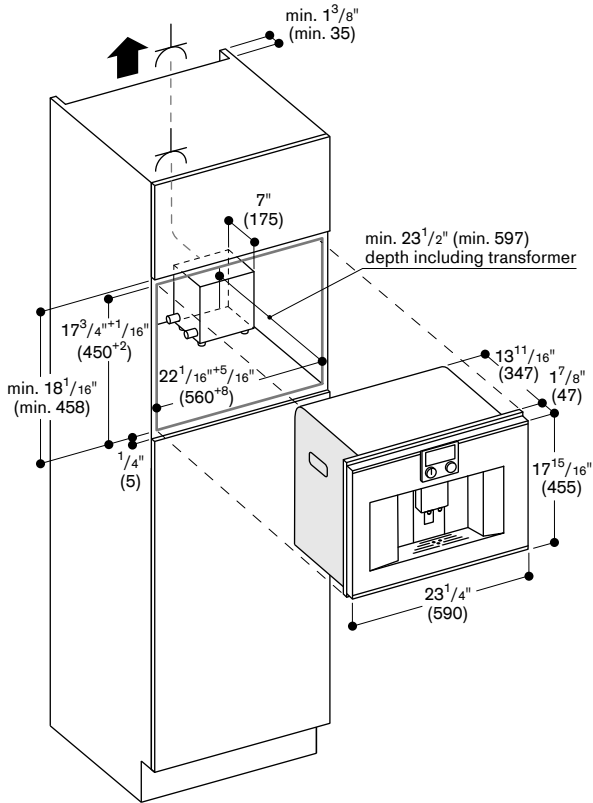
Total rating: 1,600 W.

Total Amps: 10 A

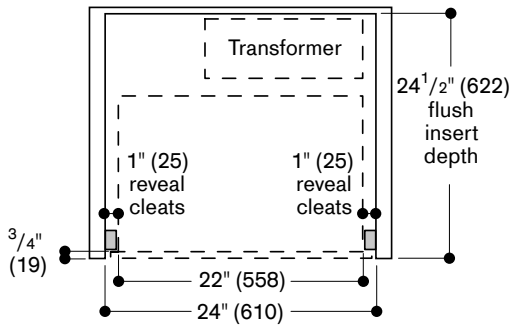
120 V / 60 H

Connecting cable 39" with three-prong plug (NEMA 5-15P).

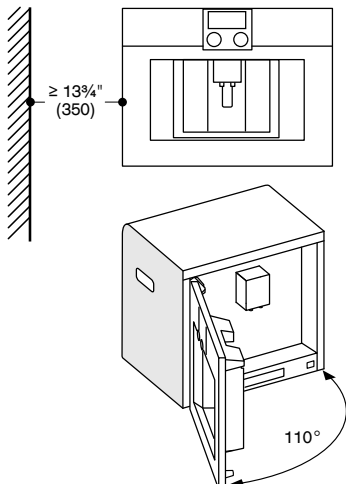
Plan for a LAN cable or connect via WiFi.



Top View



Left corner installation



If using the 92° door hinge restrictor (spare part no. 00636455), the minimum distance from the wall is only 4" (100).