



VL 414 712

stainless steel

Air extraction / Air recirculation
Control knob with illuminated ring included

Installation accessories

AD 410 040

Flexible connecting piece

AD 851 041

Connecting piece for extension with flat duct DN 150 for extra deep countertop

VA 420 000

Connection strip for combination with other Vario appliances of the 400 series for flush mounting

VA 420 010

Connection strip for combination with other Vario appliances of the 400 series for surface mounting

Optional accessories

AA 414 010

Air deflector used with VL414 downdraft adjacent to VG415 or VG425 cooktops.

Combinable with:

Vario cooktops 400 series

VI414

VI422

VG415

VG425

VP414

VR414

Vario downdraft ventilation 400 series

VL 414

- Can be combined perfectly flush with other Vario appliances of the 400 series
- Precision crafted 3 mm stainless steel
- Solid stainless steel control knob
- Highly efficient, low noise recirculation system with AR 410 710 blower
- Air extraction with AR 400 742, AR 403 722, or AR 401 742 blowers.
- Function for automatic, sensor-controlled power adjustment depending on the build-up of cooking vapors
- Minimal planning and easy installation

Features

Control knobs with illuminated ring included in delivery.

3 electronically controlled power levels and 1 intensive mode.

Automatic function with sensor-controlled run-on function.

Large-scale metal grease filter with high grease absorption.

Grease filter, dishwasher-safe.

Grease filter and activated charcoal filter saturation indicator.

Airflow-optimised interior for efficient air circulation.

Interval ventilation, 6 min.

Enameled cast iron ventilation grill, dishwasher-safe.

Air exhaust bend included in delivery.

Overflow 8.5 oz capacity.

Cooktop-based ventilation control (with VI414 and VI422 cooktops).

Home network integration for digital services (Home Connect) either via cable connection LAN (recommended) or wireless via WiFi.

The use of the Home Connect functionality depends on the Home Connect services, which are not available in every country. For further information please check: home-connect.com.

Planning notes

For each VL one blower is recommended.

Maximum cooktop width between two VL: 24" (60 cm).

Vario cooktops like Vario electric grill and Vario gas wok must be placed between 2 VL downdraft for optimal performance.

In case of Vario electric grill, recirculation is not recommended.

If operated next to gas appliances, the air deflector AA 414 010 is recommended to ensure maximum performance of the cooktop.

Appliance can be snapped into the countertop from above.

Depending on the type of installation (surface-mounted or flush-mounted), the specific location of the cut-out and the knob positions may vary.

If combining several Vario appliances of the 400 series, a connection strip VA 420 must be placed between the appliances. Depending on the type of

installation, the corresponding connection strip must be provided. The bearing capacity and stability, in the case of thin worktops in particular, must be supported using suitable substructures. Take into account the appliance weight and additional loads.

Additional instructions for flush mounting:

Installation is possible in worktops made of stone, synthetics or solid wood. Heat resistance and watertight sealing of the cut edges must be observed. Concerning other materials please consult the countertop manufacturer.

The groove must be continuous and even, so that uniform placing of the appliance on the gasket is ensured. Do not use discontinuous lining.

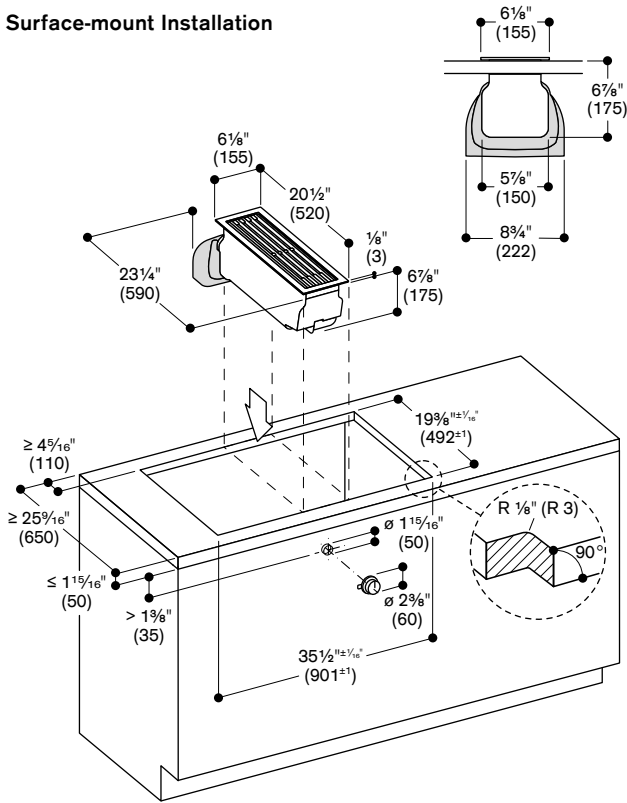
The joint width may vary due to size tolerances of the combinations and of the countertop cut-out.

Connection

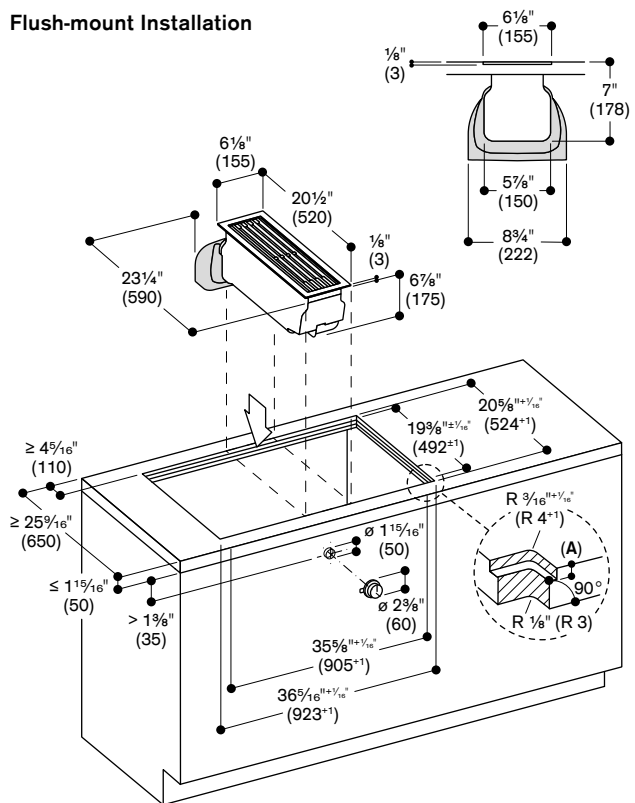
Connecting cable for blower is 68" (1.75 m).

Plan a ethernet cable for distances where the blower is located over 68" (1.75 m)

Surface-mount Installation

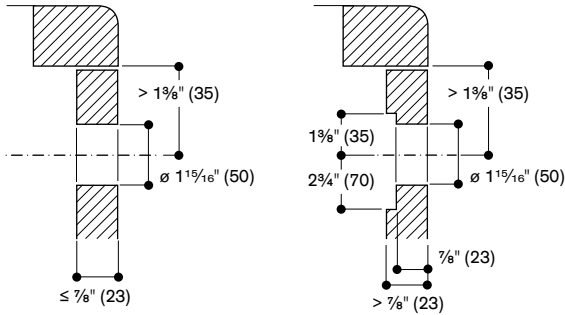


Flush-mount Installation

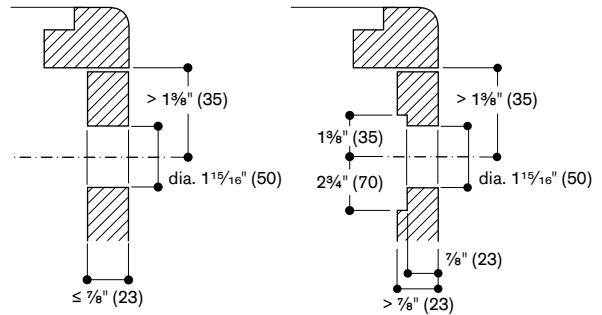


A: 1/8" (3.5-0.5)

Installation of the control knob; surface mounting

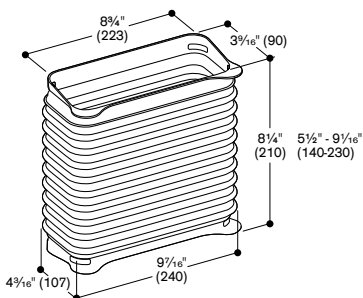


Installation of the control knob; flush installation



Installation accessories

AD 410 040 : flexible connecting piece, DN 150 flat



AD 851 041: Connecting piece VL for extension with flat duct DN150 for extra deep countertop

