





Assembly Instructions

COUNTER TABLE

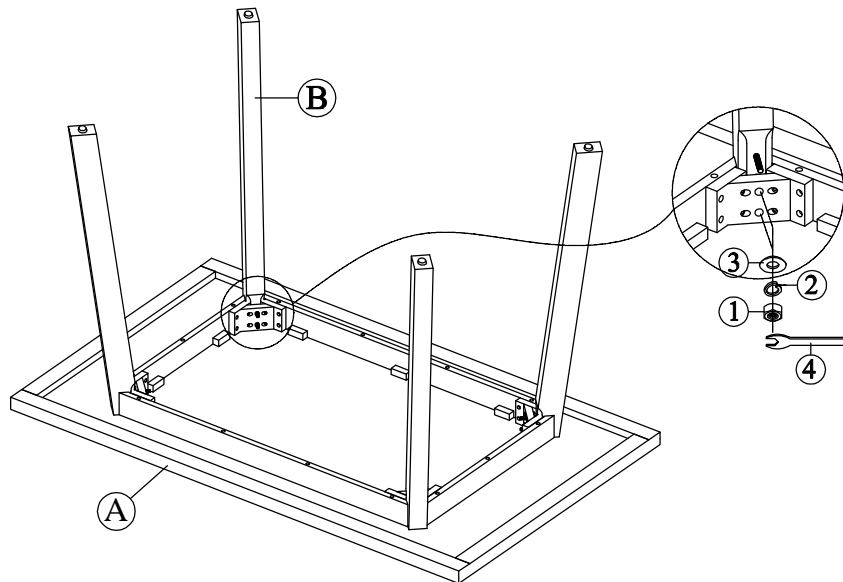
DEP4005CS

Caution: Please read instructions thoroughly before unpacking assembly parts. Sharp, exposed staple tips can cause injury, therefore, for your protection, please remove any exposed staples used in packing.

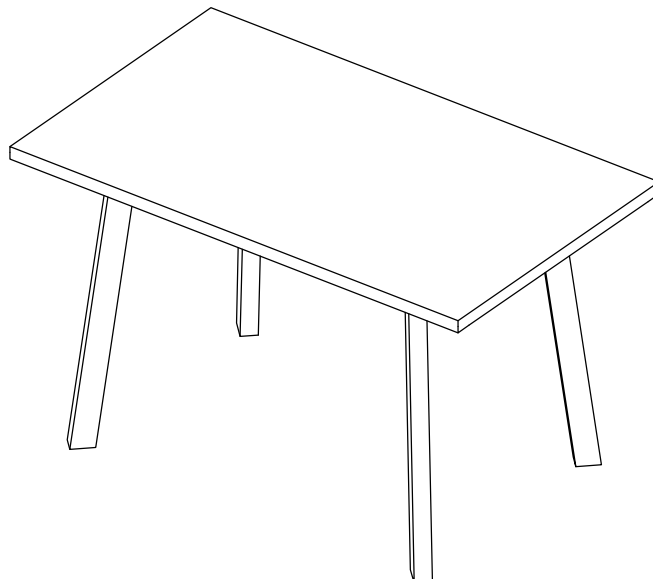
1. We recommend that you should assemble this product with the assistance of another person; this will make assembly easier, and will help to eliminate damage to the product or injury to persons during assembly.
2. Be sure to check all packing materials carefully for small parts that may have come loose inside the carton during shipment.
3. Please do not over tighten screws or bolts.
4. Please put all parts on a non-abrasive floor before assembly, and follow the assembly steps to assemble your newly purchased product correctly and efficiently.

PART LIST FOR DINING TABLE				HARDWARE LIST PACKED INSIDE BOX			
No.	PART DESC	CODE.	Q'TY	No.	HARDWARE DESC	CODE.	Q'TY
A	COUNTER TABLE - TOP		1	1	 NUT (5/16")	PDEP4005CSHW1	8
B	COUNTER TABLE - LEGS	PDEP4005CSLEG1	4	2	 SPRING WASHER (5/16")		8
				3	 FLAT WASHER (5/16")		8
				4	 WRENCH (5/16")		1

STEP:1



COMPLETED



Assembly Instructions

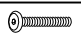
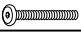



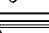


COUNTER CHAIR

DEP4005CS

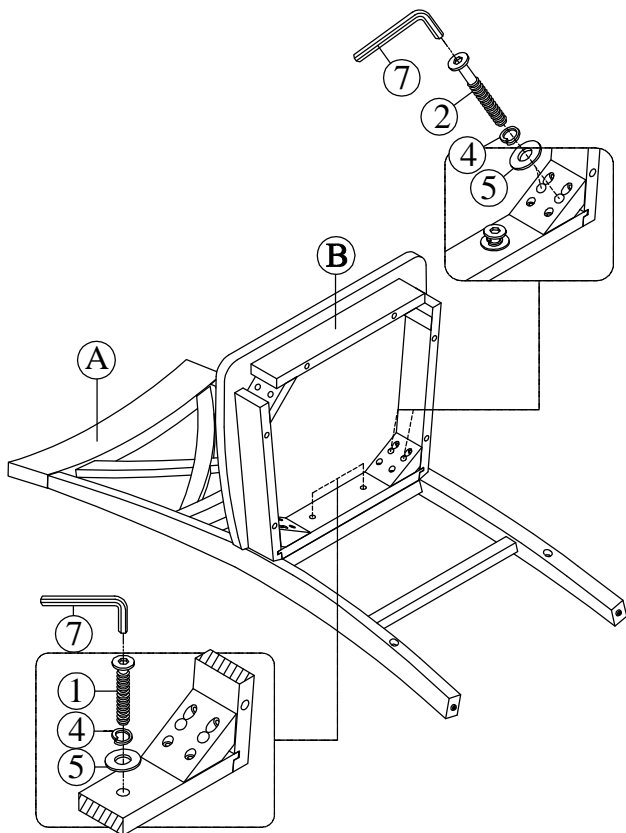
Caution: Please read instructions thoroughly before unpacking assembly parts. Sharp, exposed staple tips can cause injury, therefore, for your protection, please remove any exposed staples used in packing.

1. We recommend that you should assemble this product with the assistance of another person; this will make assembly easier, and will help to eliminate damage to the product or injury to persons during assembly.
2. Be sure to check all packing materials carefully for small parts that may have come loose inside the carton during shipment.
3. Please do not over tighten screws or bolts.
4. Please put all parts on a non-abrasive floor before assembly, and follow the assembly steps to assemble your newly purchased product correctly and efficiently.

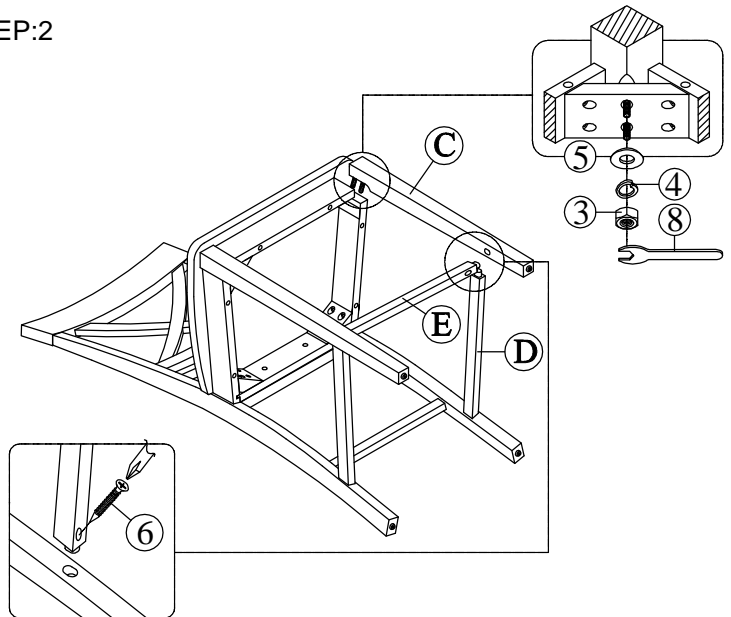
PART LIST FOR COUNTER SIDE CHAIR			
No.	PART DESC	CODE.	Q'TY
A	Counter Side Chair - back frame with 2 back legs	PDEP4005CSBFR	1
B	Counter Side Chair - Seat Board w/ Frame	PDEP4005CSSEA	1
C	Counter Side Chair - Front Legs L & R	PDEP4005CSLEG2	2
D	Counter Side Chair - Side Stretcher L & R	PDEP4005CSSTR2	1
E	Counter Side Chair - Front Stretcher	PDEP4005CSSTR1	2

HARDWARE LIST PACKED INSIDE BOX			
No.	HARDWARE DESC	CODE.	Q'TY
1	 ALLEN BOLT (1/4" x 40mm)	PDEP4005CSHW2	2
2	 ALLEN BOLT (1/4" x 75mm)		4
3	 NUT (5/16")		4
4	 SPRING WASHER (5/16")		10
5	 FLAT WASHER (5/16")		10
6	 SCREWS (M4 x 38mm)		6
7	 ALLEN KEY (M4)		1
8	 WRENCH (5/16")		1

STEP:1



STEP:2



COMPLETED

