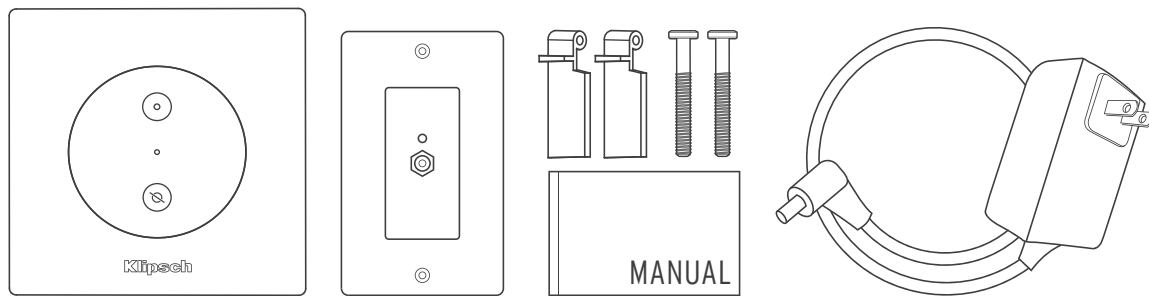




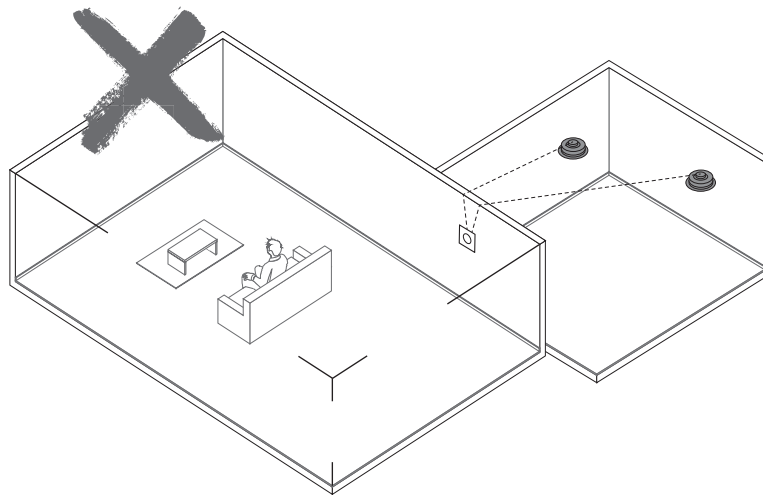
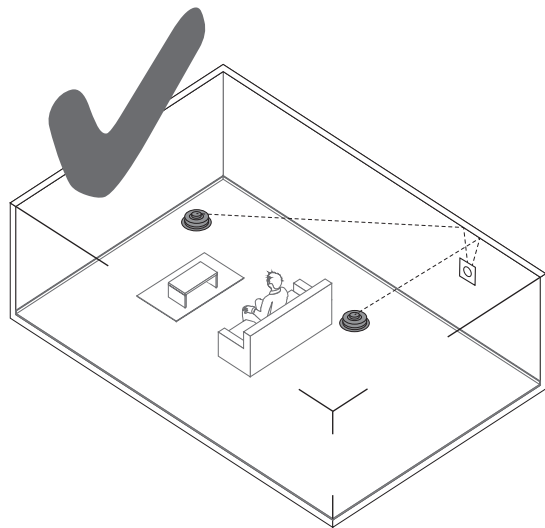
INSIDE

CONTENU CONTENIDO INHALT CONTENUTO CONTEÚDO 目录



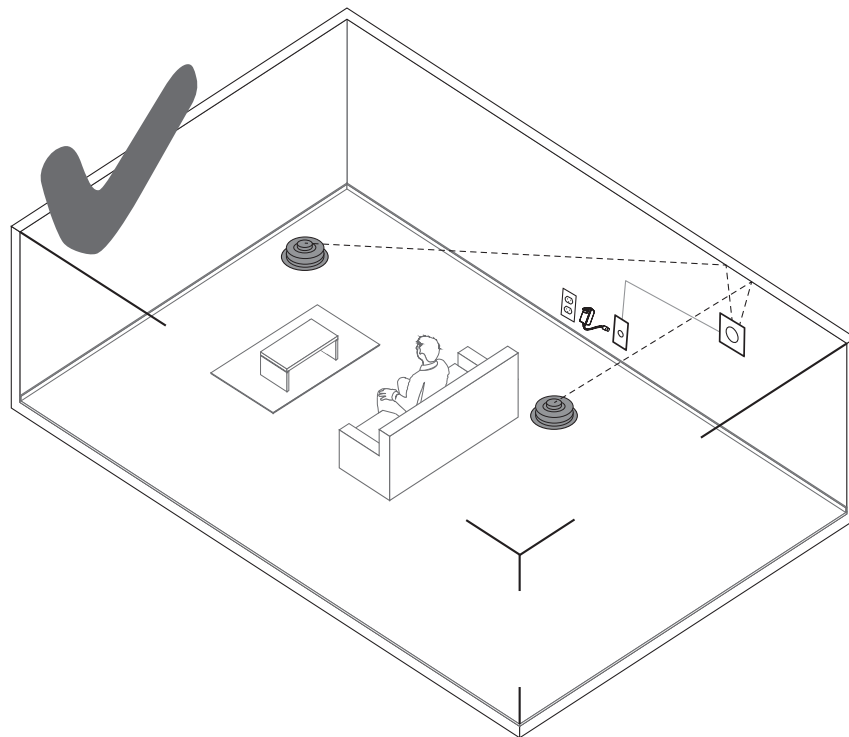
PLACEMENT

POSITIONNEMENT UBICACIÓN PLATZIERUNG POSIÇÃO COLLOCAZIONE 布置



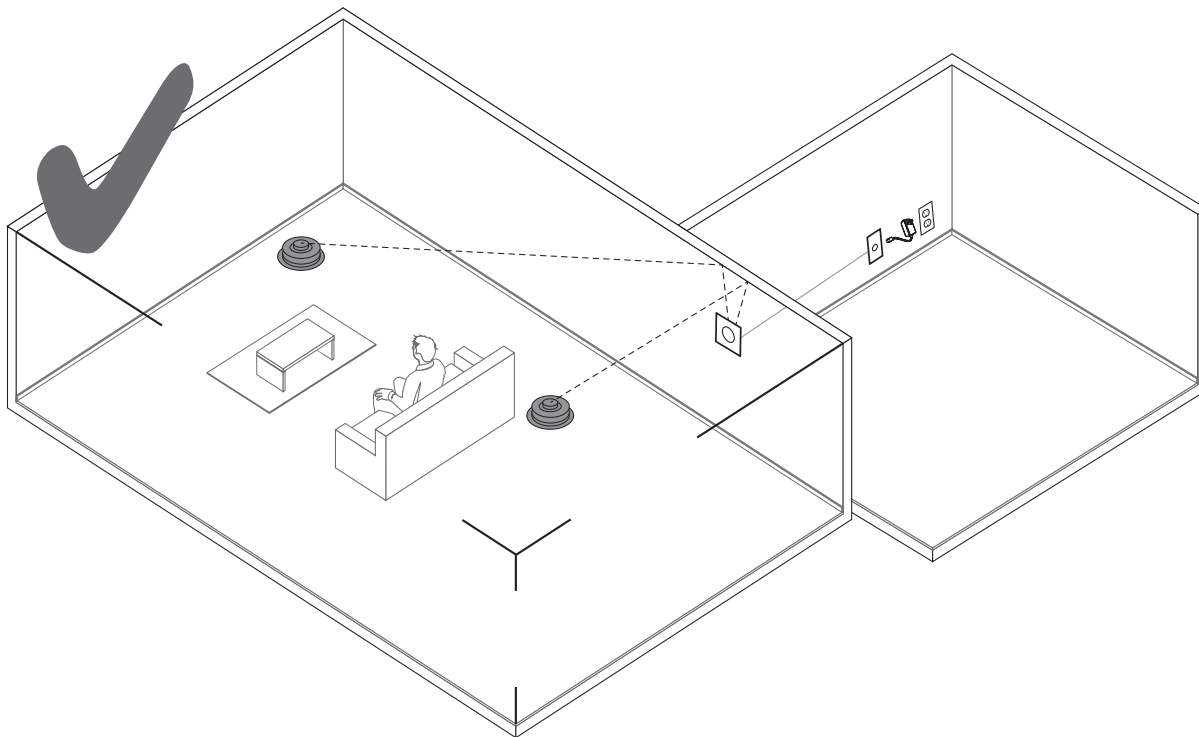
PLACEMENT

POSITIONNEMENT UBICACIÓN PLATZIERUNG POSIÇÃO COLLOCAZIONE 布置



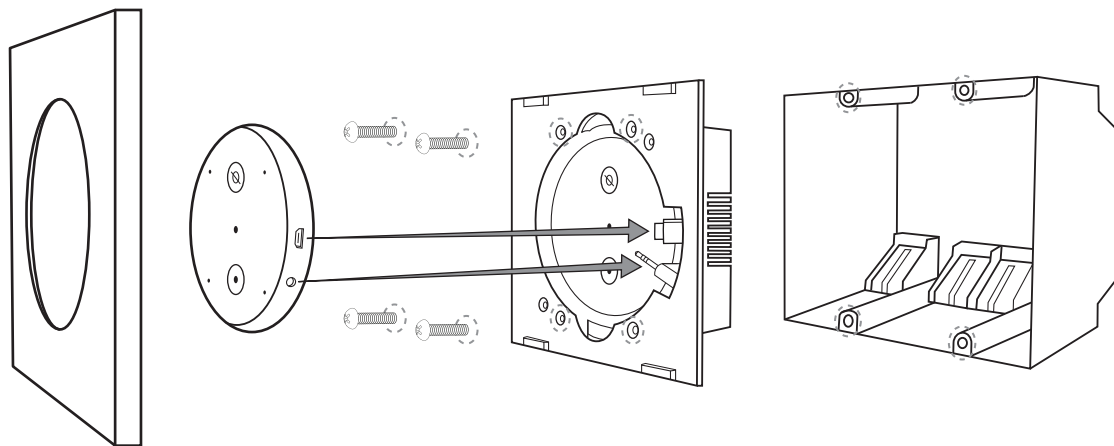
PLACEMENT

POSITIONNEMENT UBICACIÓN PLATZIERUNG POSIÇÃO COLLOCAZIONE 布置



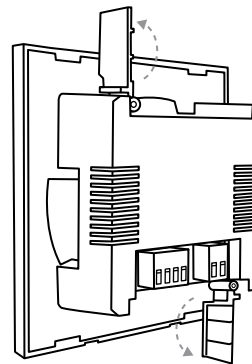
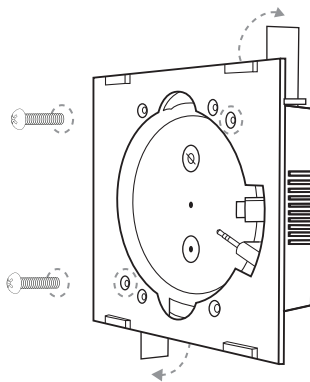
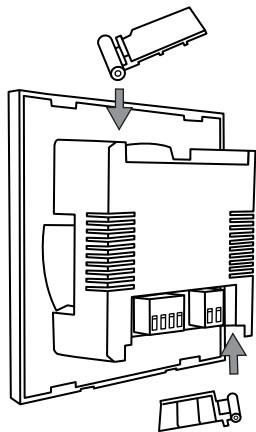
INSTALLATION - DOUBLE GANG BOX

INSTALLATION CONFIGURACIÓN INSTALLATION APPONTAMENTO INSTALAÇÃO 设置



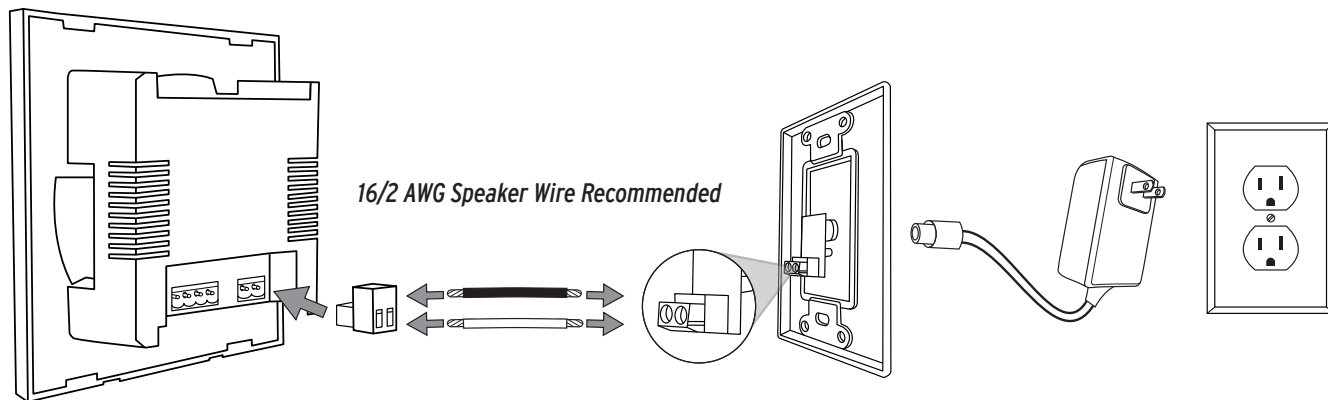
INSTALLATION - RETROFIT

INSTALLATION CONFIGURACIÓN INSTALLATION APPONTAMENTO INSTALAÇÃO 设置



CONNECTIONS

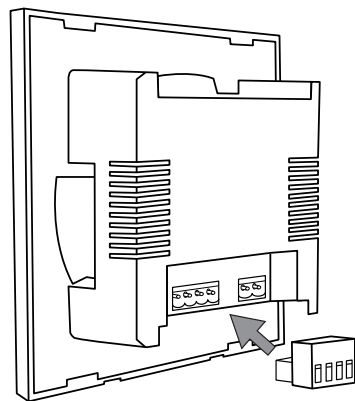
BRANCHEMENTS CONEXIONES ANSCHLÜSSE CONNESSIONI CONEXÕES 连接



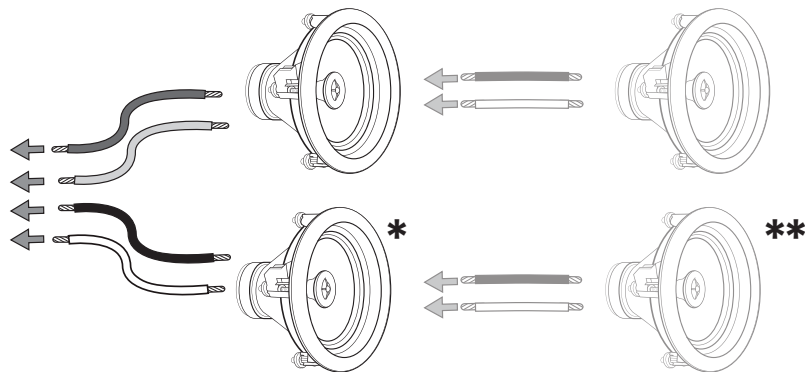
ATTENTION: KVA-40 should NEVER be connected directly to high voltage power. Only use the included low voltage power system as shown.

CONNECTIONS

BRANCHEMENTS CONEXIONES ANSCHLÜSSE CONNESSIONI CONEXÕES 连接



16/2 AWG Speaker Wire Recommended



Impedance	Max per channel
4 ohms	1 speaker
6 ohms	1 speaker
8 ohms	2 speakers

*Follow speaker owner's manual for correct instructions on wiring speakers

**Additional speaker pair optional

Klipsch®

KEEPERS OF THE SOUND™

3502 WOODVIEW TRACE, INDIANAPOLIS, IN, USA

KLIPSCH.COM



©2019, Klipsch Group, Inc. Klipsch Group, Inc. is a wholly-owned subsidiary of Voxx International Corporation. Klipsch and Keepers of the Sound are trademarks of Klipsch Group, Inc., registered in the United States and other countries. The *Bluetooth*® word mark is a registered trademark owned by Bluetooth SIG, Inc. and any use of such mark by Klipsch Group, Inc. is under license.

V01 - 190729