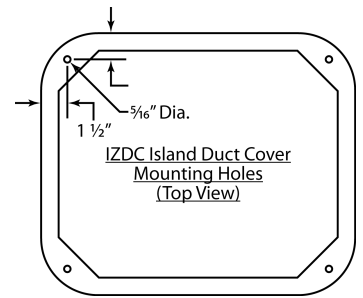
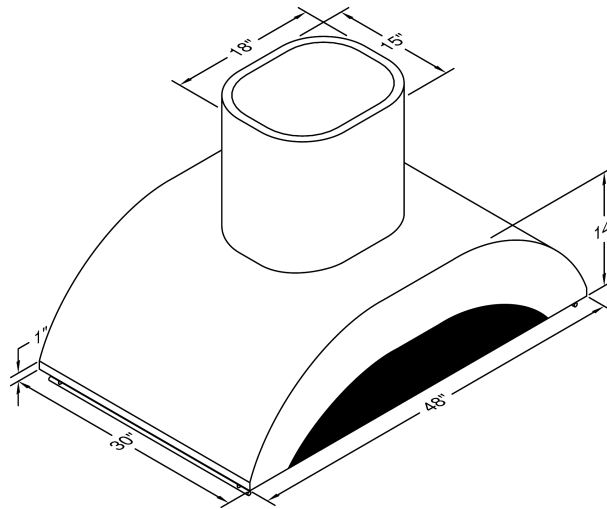


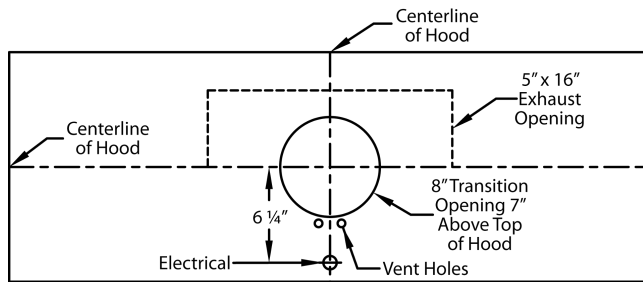
Model Number: IZTH-248 SS

Special Notes: LED lights. This model is not available with heat lamps. Shown with optional duct cover (sold separately). Optional duct covers are available in standard and custom sizes. Pot rail included.

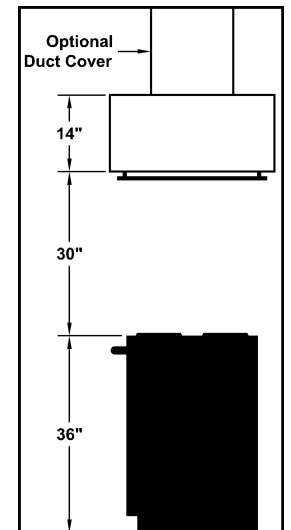
| | |
|------------------|-----|
| WIDTH: | 48" |
| DEPTH: | 30" |
| HEIGHT: | 12" |
| CFM: | 550 |
| SONES: | 6.0 |
| AMPS: | 4.0 |
| # LIGHTS: | 4 |



CONNECTION DIAGRAM

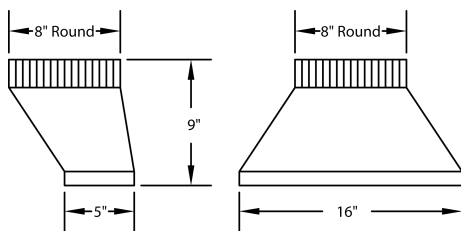


REC. MOUNTING HEIGHT*

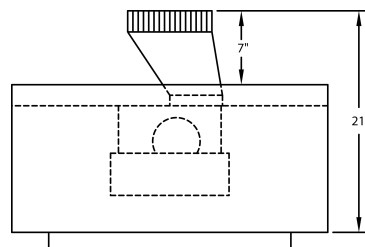


* Exceeding recommended mounting height may compromise performance.

550 CFM T200 Dual Blower (Top View)



VP565 Standard Transition
(Included)



Transition Installed
(Side View)

ELECTRICAL/MECHANICAL SPECIFICATIONS FOR BLOWER UNIT

| MODEL | VOLTS | AMPS+ | HZ | RPM | CFM SP@0.0" | EQUIV CFM\$ | CFM SP@0.1" | CFM SP@0.2" | CFM SP@0.3" | MIN. ROUND DUCT SIZE | SONES# |
|------------------|-------|-------|----|------|-------------|-------------|-------------|-------------|-------------|----------------------|--------|
| T200 Island Dual | 115 | 4.0 | 60 | 1550 | 550 | 900 | 507 | 471 | 431 | 8" (50 sq. in.) | 6.0 |

+ This model is equipped with LED lighting (one in each corner).

\$ Because the Magic Lung blower uses centrifugal filtration rather than conventional baffle or mesh filters, the Magic Lung blower can handle cooking equipment with higher cubic feet per minute (CFM) requirements and can deliver equivalent CFM much more efficiently than other filtration systems. When comparing the Magic Lung with other blower units made by other manufacturers, use the "Equivalent CFM".

Ratings in accordance with the Standard Test Code by the Energy Systems Laboratory of the Texas Engineering Experiment Station.