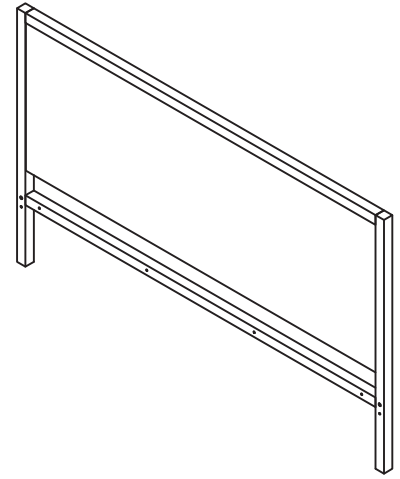


Platform Bed



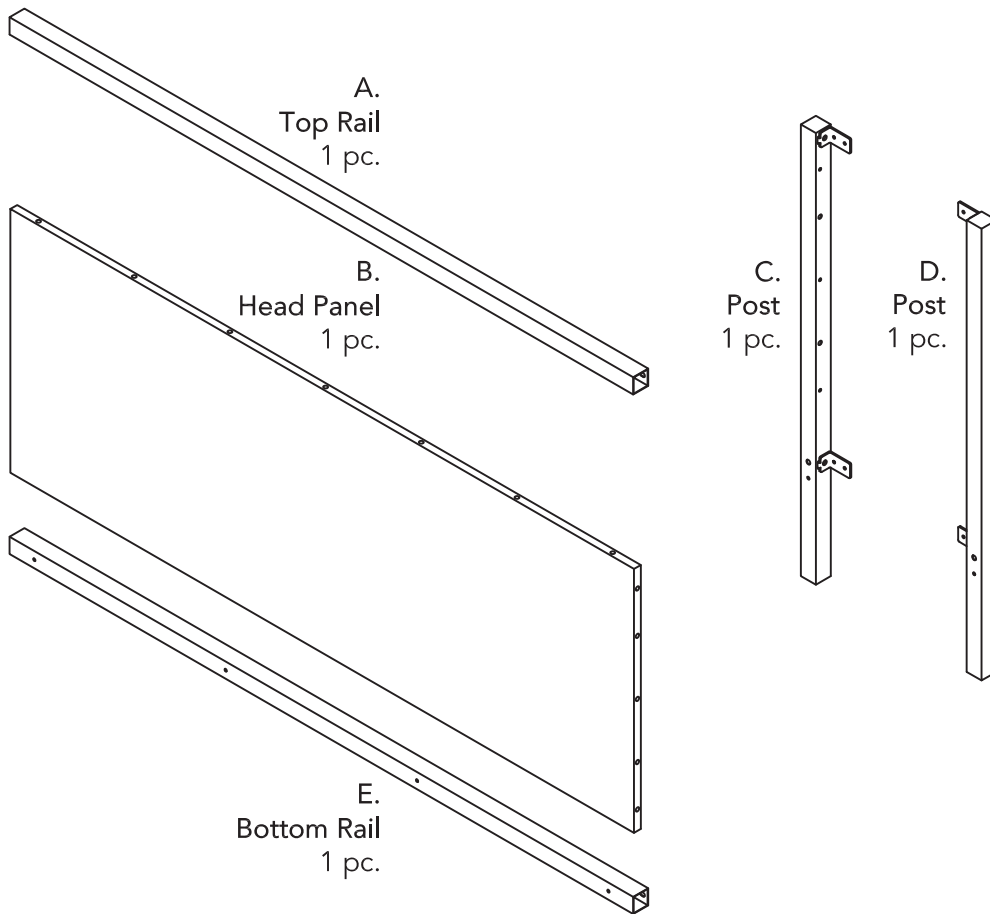
IMPORTANT

Carefully remove all the parts from the carton and place them individually on a soft cloth to prevent scratches or other damage.

Carefully and strictly follow these assembly instructions to ensure a completed product as designed.

Do not use power tools above 8 volts to assemble.

Part List



Hardware List



Cam Lock
10 pcs. (+2 extra)



Cam Lock Screw
10 pcs. (+2 extra)



M6x15
Head Cap Bolt (short)
8 pcs. (+1 extra)



Spring Washer
8 pcs. (+1 extra)



Dowel
7 pcs. (+1 extra)



Hex Wrench
1 pc.



Small
Hex Wrench
1 pc.

Tool(s) required for assembly: Phillips screwdriver

homestyles Customer Service: www.homestylesfurniture.com,
servicedesk@homestylesfurniture.com, 888-680-7460

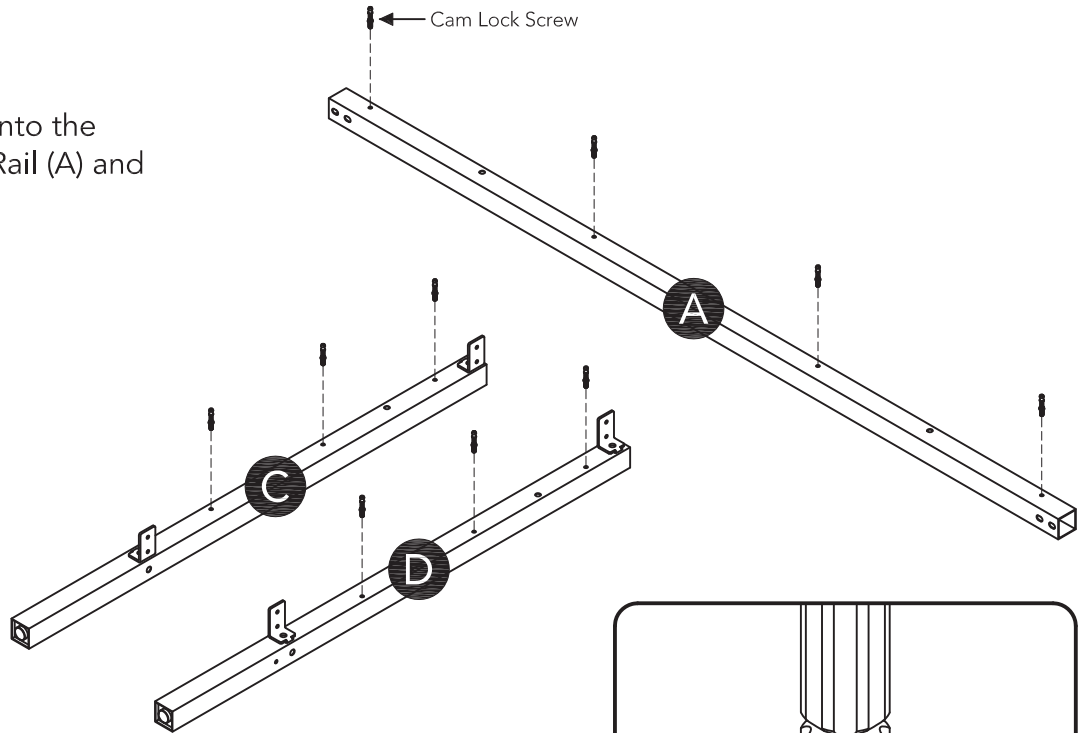
Assembly Instructions 2/3

IMPORTANT

- Use a soft cloth between these parts and the floor.
- Do not use power tools above 8 volts to assemble.
- Do not tighten all the bolts until each part is properly assembled.
- The unit must be level to work properly. Use the included adjustable levelers to level.
- Keep Hex Wrench as the bolts may need to be tightened in the future.

STEP 1

Insert Cam Lock Screws into the pre-drilled holes in Top Rail (A) and Posts (C), (D).



STEP 2

Attach Top Rail (A) to Head Panel (B) with Dowels and Cam Locks. (See Figure 1)

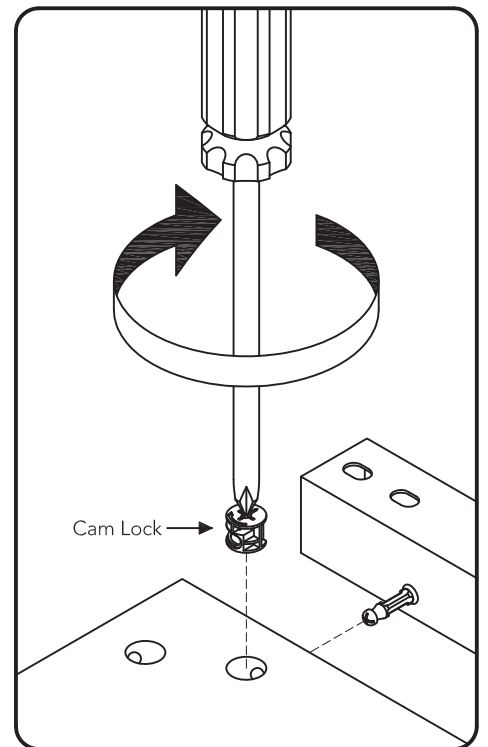
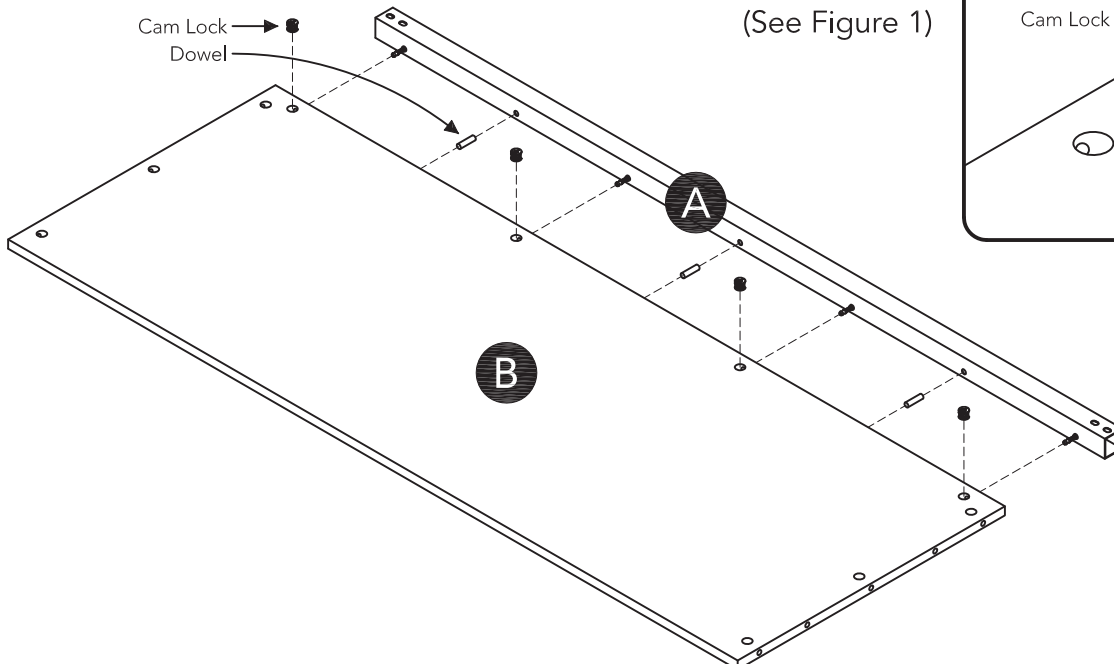
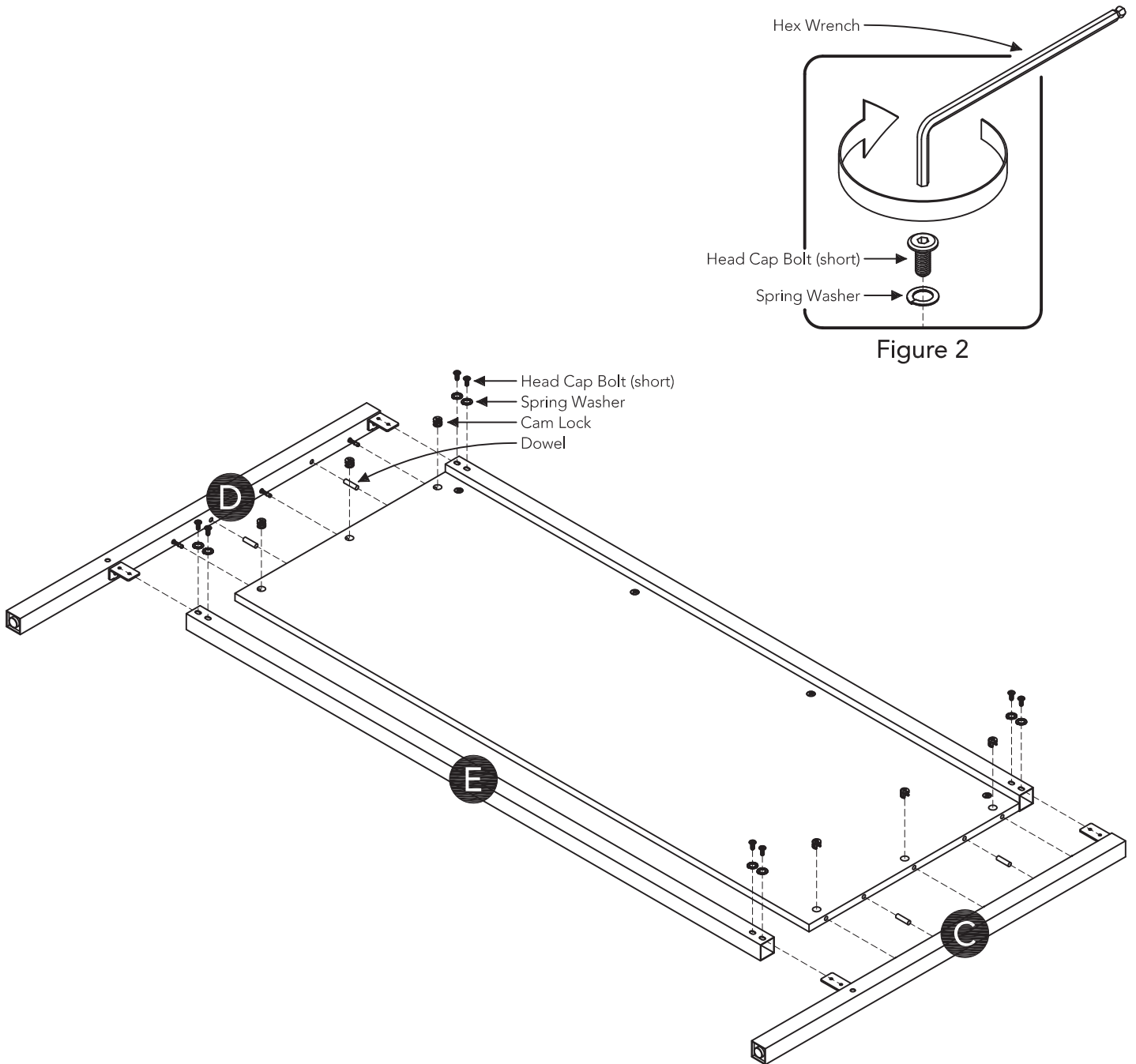


Figure 1

Assembly Instructions 3/3



STEP 3

Attach Post (C) to unit with Dowels, Cam Locks, Head Cap Bolts (short) and Spring Washers.

Attach Bottom Rail (E) to unit with Head Cap Bolts (short) and Spring Washers.

Attach Post (D) to unit with Dowels, Cam Locks, Head Cap Bolts (short) and Spring Washers.

Tighten all bolts with Hex Wrench. (See Figure 2)

To complete assembly see instructions in carton 5450-502.

CARE INSTRUCTIONS

NEVER

allow liquids to remain on furniture.
Absorption causes parts to warp
and split and finishes to delaminate.

NEVER

use glass cleaners on
finished furniture. Ammonia
chemically attacks the finish.



Do not use power tools
above 8 volts to assemble.

**PREVENT
CRACKING**



Do not place
in direct sunlight.

**PREVENT
FADING**



Do not write
directly on surface.

**PREVENT
MARKING**



Do not place hot
objects on surface.

**PREVENT
FINISH DAMAGE**



Do not use rubber
based placemats.

**PREVENT
DISCOLORING**



Do not use commercial
waxes and polishes.

**PREVENT
YELLOWING**

CLEAN

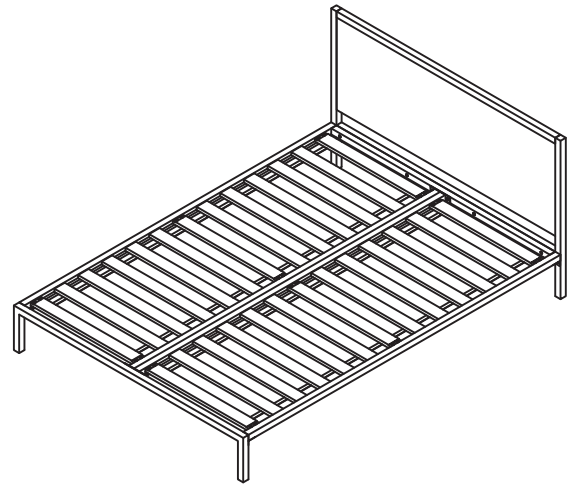
with a soft cloth moistened
in lukewarm soap and water.
Buff with a dry clean cloth.



homestyles will provide replacements free of charge for missing or damaged parts within 30 days of purchase. Digital images of the defective parts may be required. If the product was not purchased from an authorized retailer, **homestyles** is under no obligation to provide replacement parts. Parts are not available for fully assembled items nor are parts available for sale. Replacements for missing or damaged parts may be requested via contact info below.

homestyles Customer Service: www.homestylesfurniture.com,
servicedesk@homestylesfurniture.com, 888-680-7460

Platform Bed



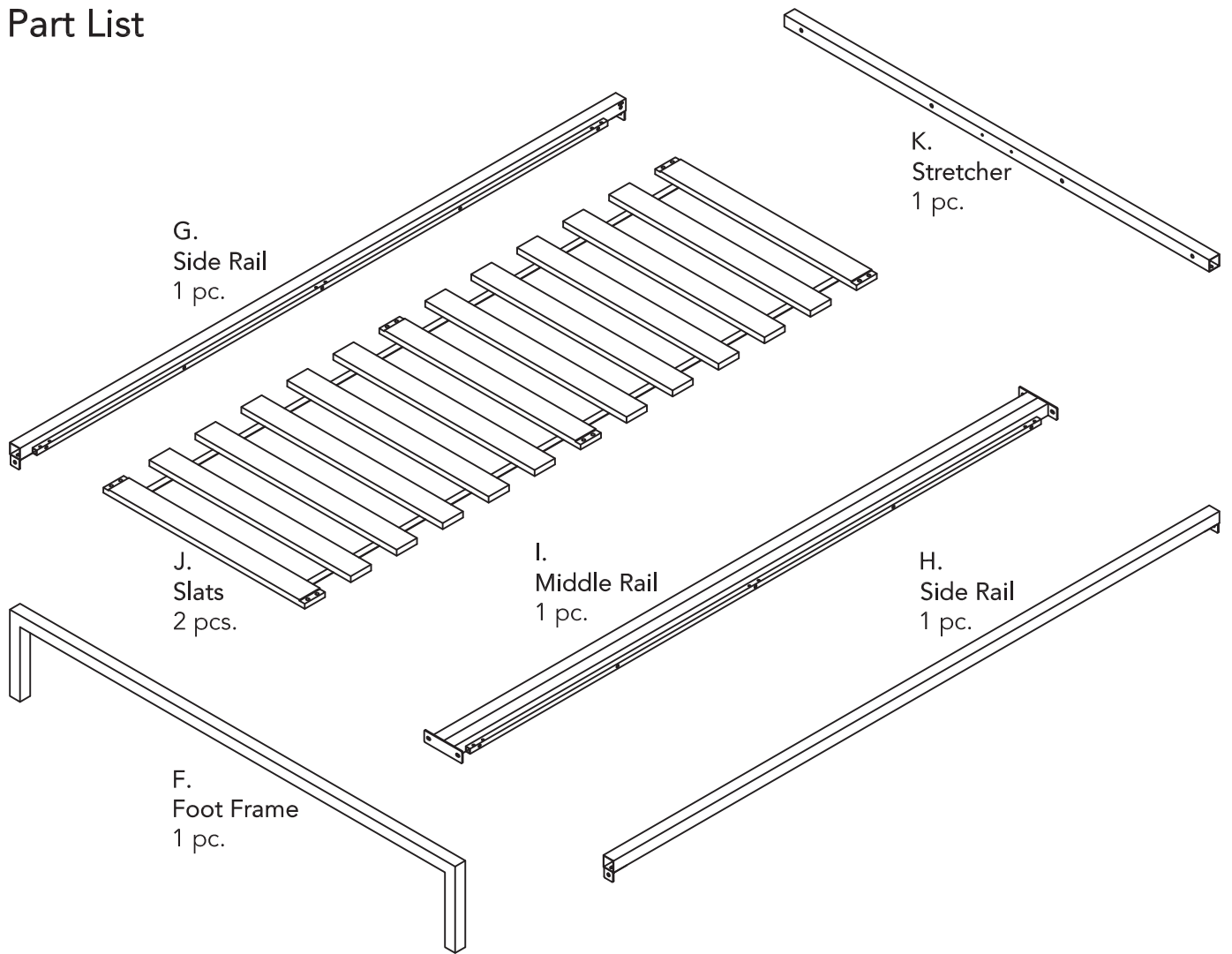
IMPORTANT

Carefully remove all the parts from the carton and place them individually on a soft cloth to prevent scratches or other damage.

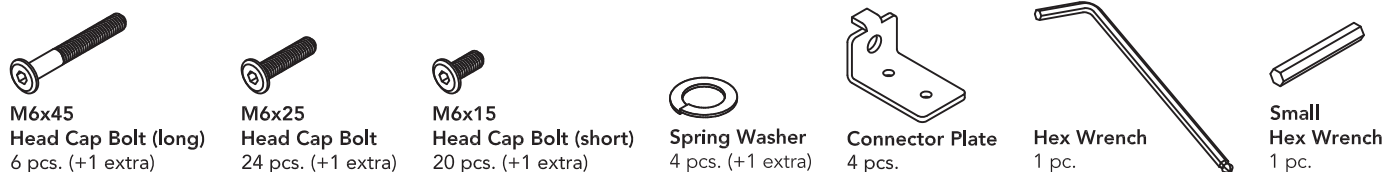
Carefully and strictly follow these assembly instructions to ensure a completed product as designed.

Do not use power tools above 8 volts to assemble.

Part List



Hardware List



Tool(s) required for assembly: Level

homestyles Customer Service: www.homestylesfurniture.com,
servicedesk@homestylesfurniture.com, 888-680-7460

Assembly Instructions 2/5

IMPORTANT

- Use a soft cloth between these parts and the floor.
- Do not use power tools above 8 volts to assemble.
- Do not tighten all the bolts until each part is properly assembled.
- The unit must be level to work properly. Use the included adjustable levelers to level.
- Keep Hex Wrench as the bolts may need to be tightened in the future.
- Do not slide bed on floor. To move assembled bed requires two people. Remove any bedding, then lift and carry bed.

Follow instructions in carton 5450-501 first, then proceed with Step 4.

STEP 4

Attach Connector Plates to Foot Frame (F) and Side Rails (G), (H) with Head Cap Bolts (short).

Tighten bolts with Hex Wrench.
(See Figure 3)

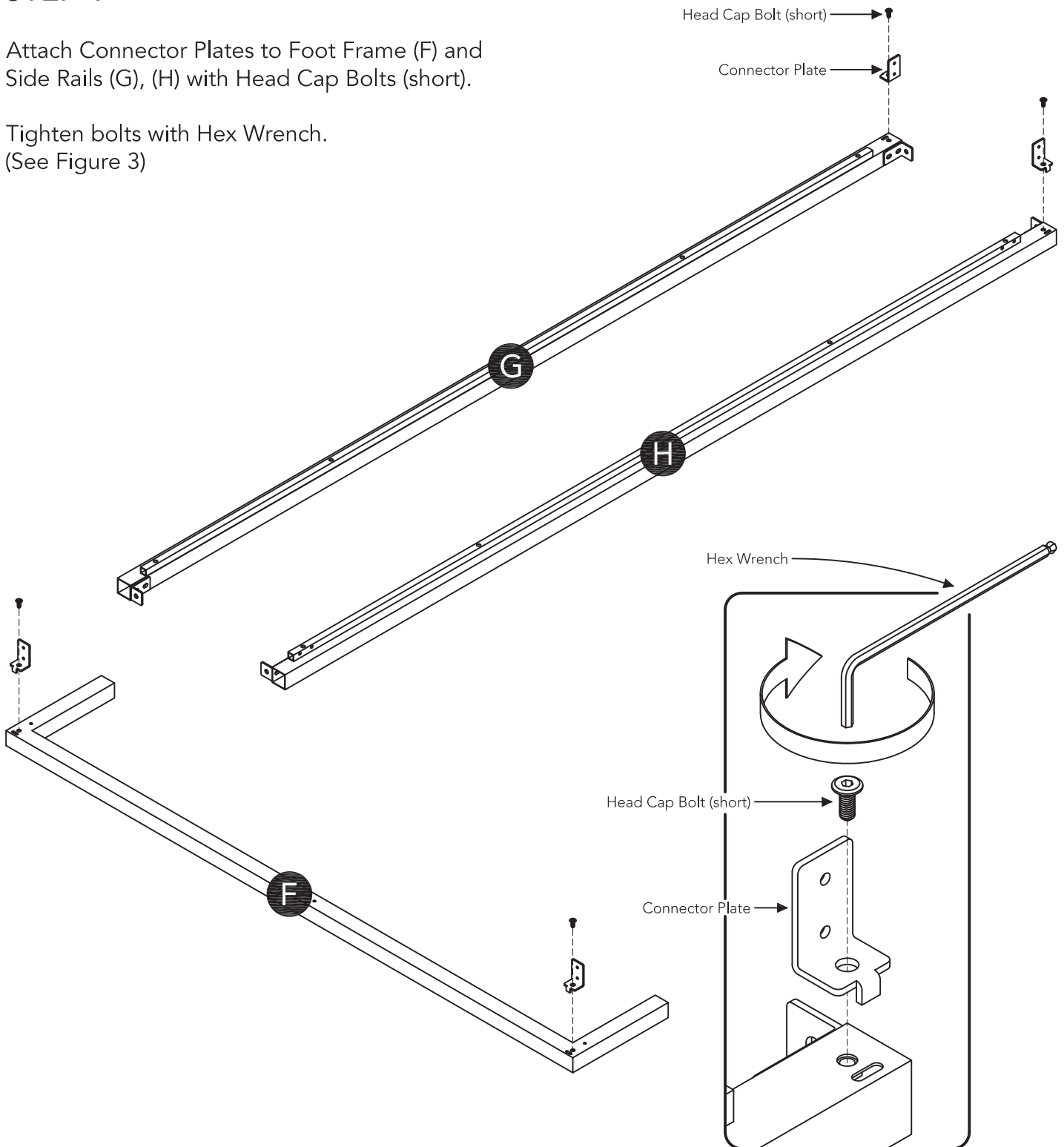
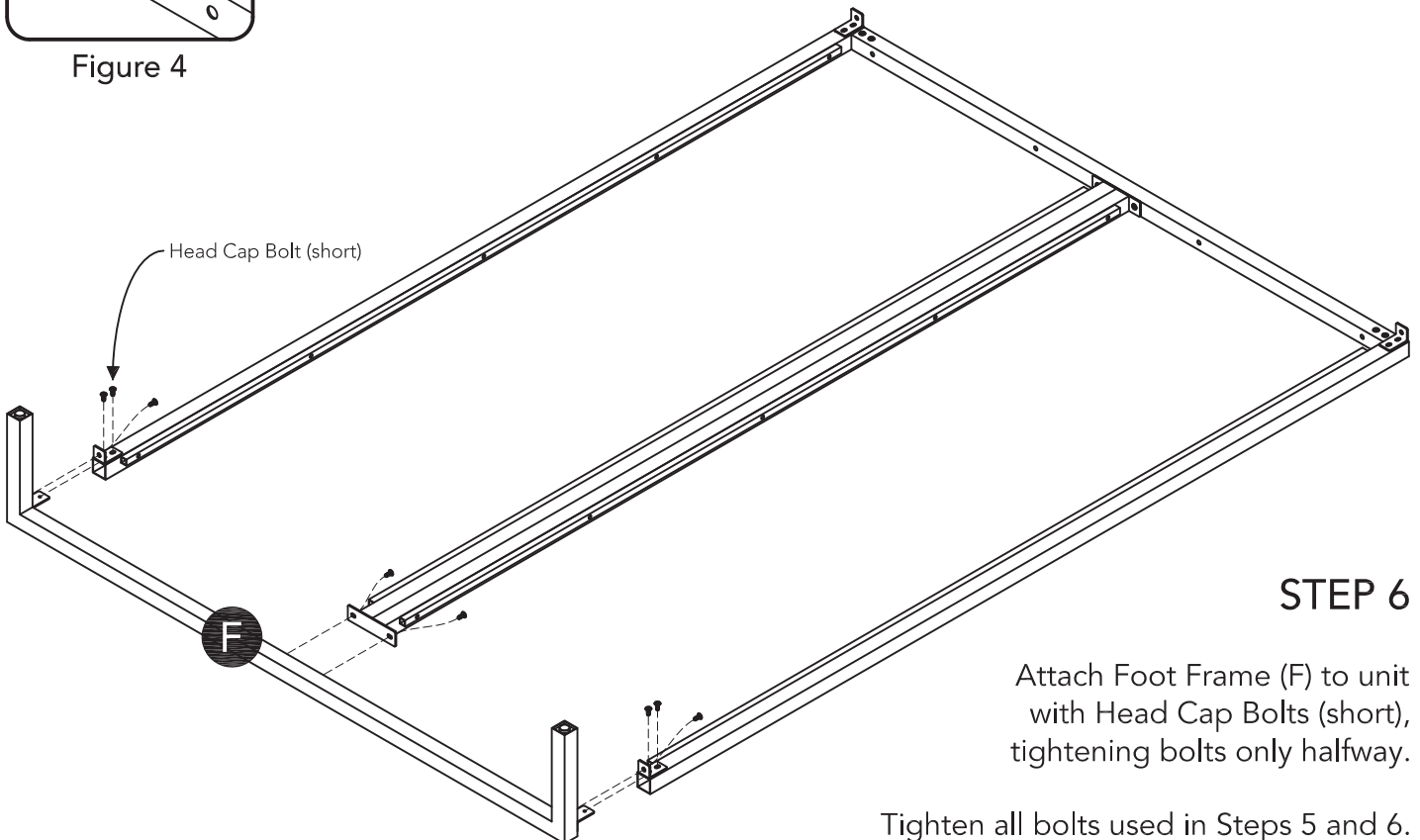
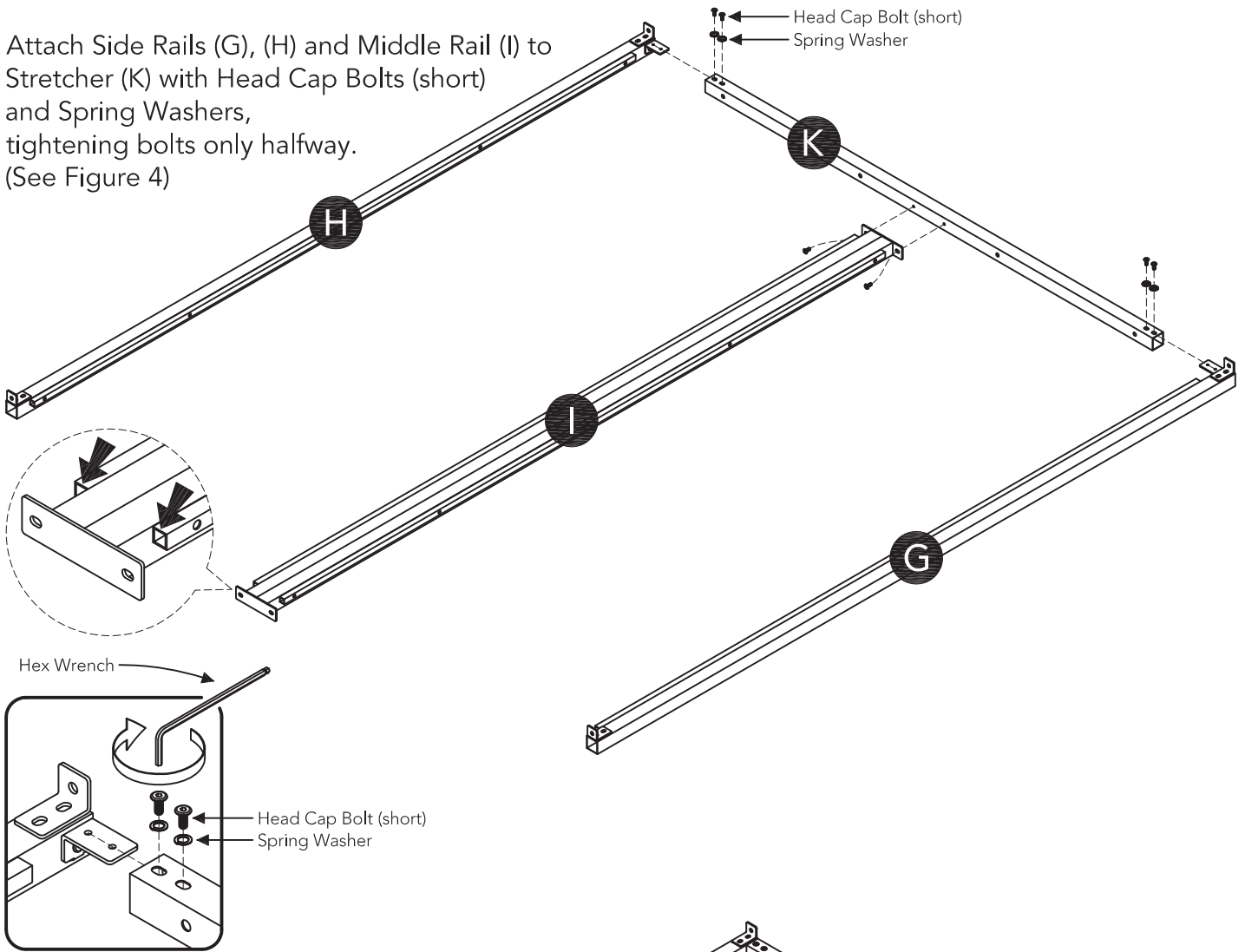


Figure 3

Assembly Instructions 3/5

STEP 5

Attach Side Rails (G), (H) and Middle Rail (I) to Stretcher (K) with Head Cap Bolts (short) and Spring Washers, tightening bolts only halfway. (See Figure 4)



STEP 6

Attach Foot Frame (F) to unit with Head Cap Bolts (short), tightening bolts only halfway.

Tighten all bolts used in Steps 5 and 6.

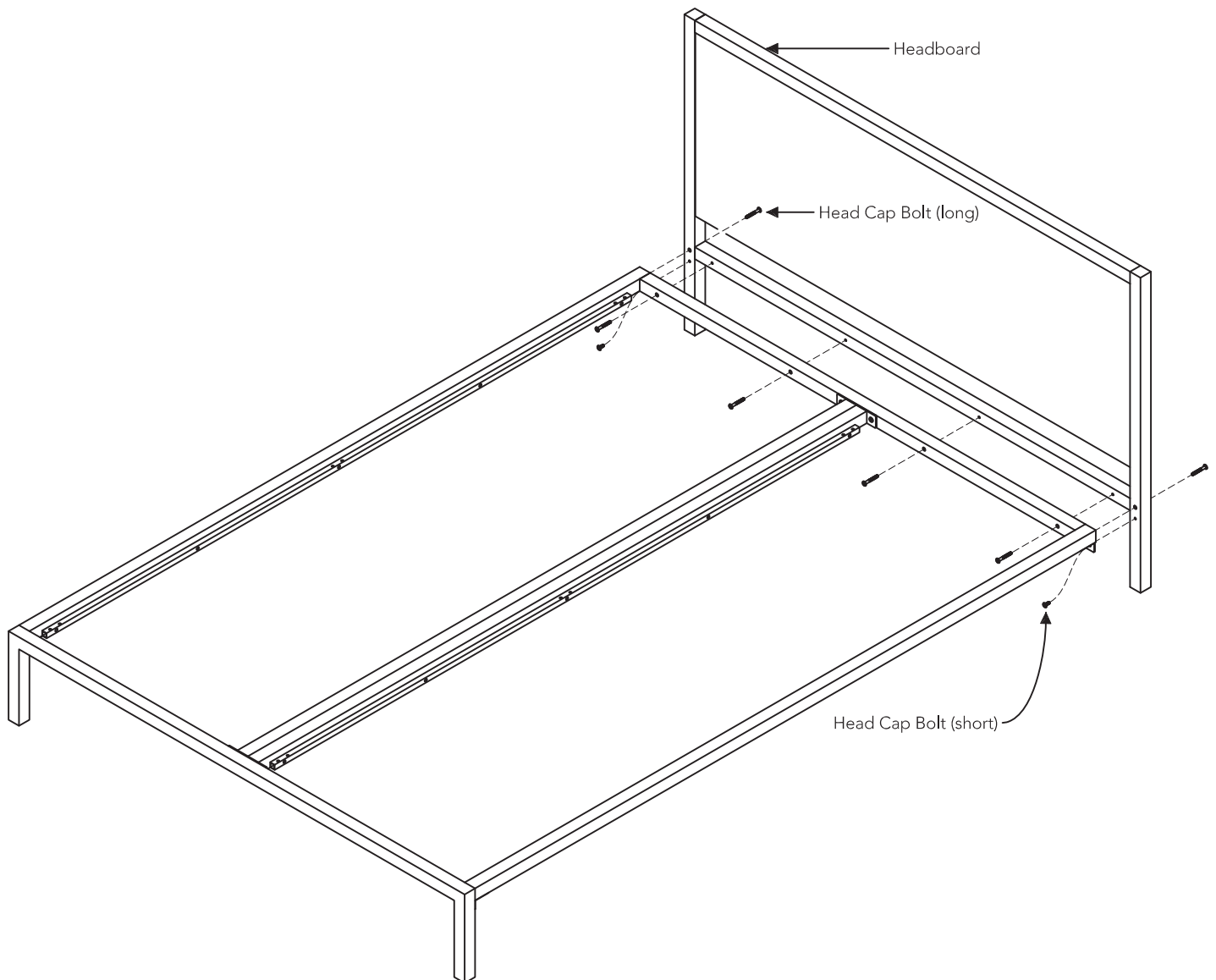
Assembly Instructions 4/5

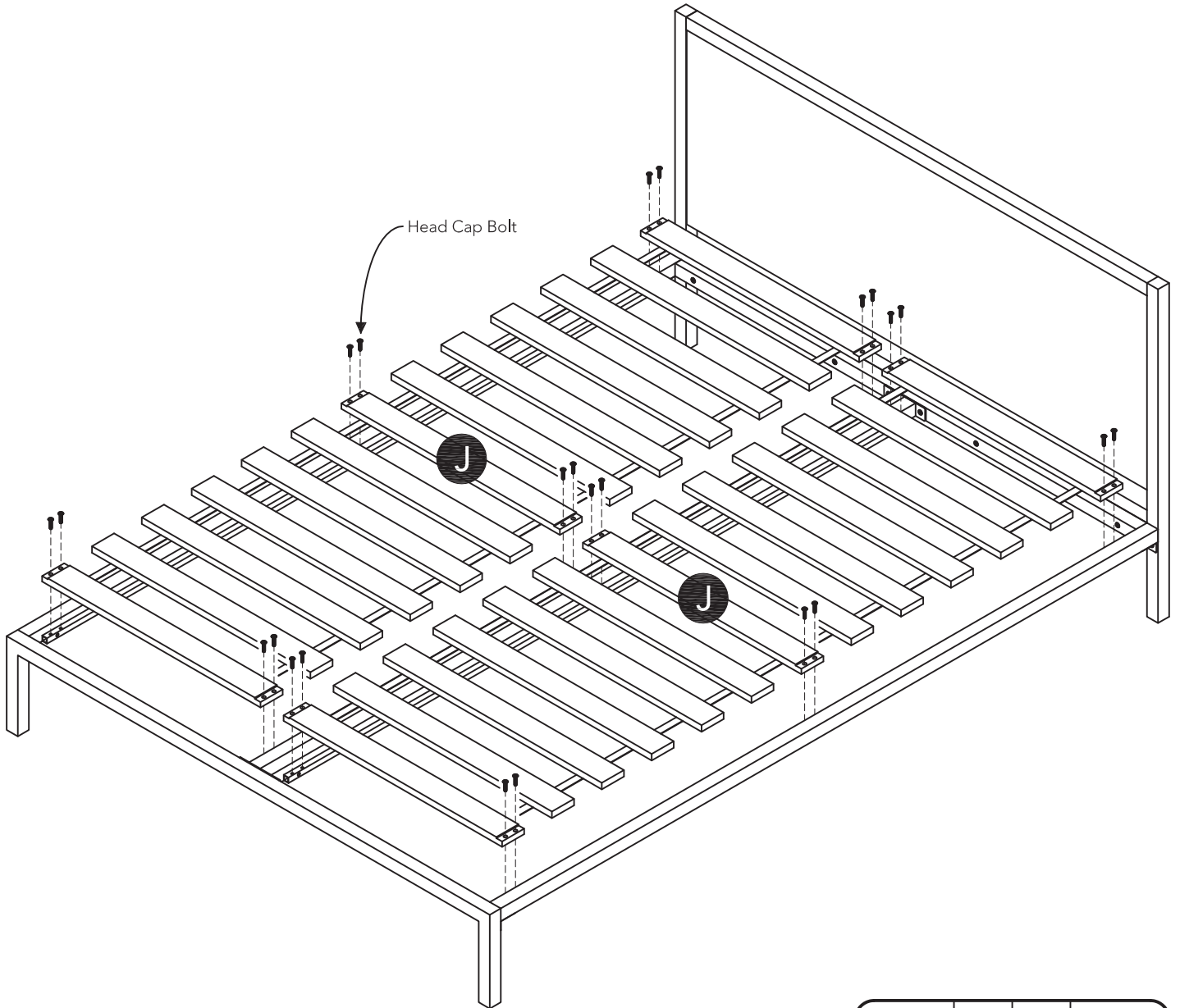
STEP 7

Turn unit over to its upright position.

Attach headboard to unit with Head Cap Bolts (long) and Head Cap Bolts (short), tightening bolts only halfway.

Tighten all bolts with Hex Wrench.





STEP 8

Attach Slats (J) to unit with Head Cap Bolts.

Tighten all bolts with Hex Wrench.

Level unit by adjusting the adjustable levelers on bottom of unit. (See Figure 5)

Note: Do not slide bed on floor. To move assembled bed requires two people. Remove any bedding, then lift and carry bed.

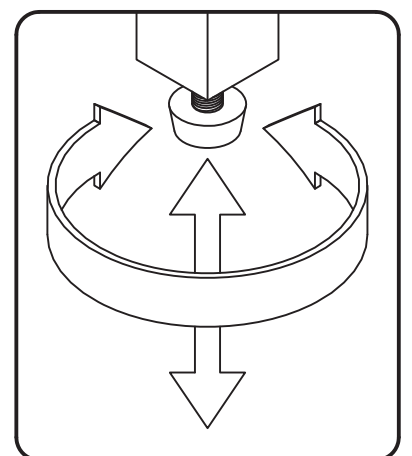


Figure 5

CARE INSTRUCTIONS

NEVER

allow liquids to remain on furniture.
Absorption causes parts to warp
and split and finishes to delaminate.

NEVER

use glass cleaners on
finished furniture. Ammonia
chemically attacks the finish.



Do not use power tools
above 8 volts to assemble.

**PREVENT
CRACKING**



Do not place
in direct sunlight.

**PREVENT
FADING**



Do not write
directly on surface.

**PREVENT
MARKING**



Do not place hot
objects on surface.

**PREVENT
FINISH DAMAGE**



Do not use rubber
based placemats.

**PREVENT
DISCOLORING**



Do not use commercial
waxes and polishes.

**PREVENT
YELLOWING**

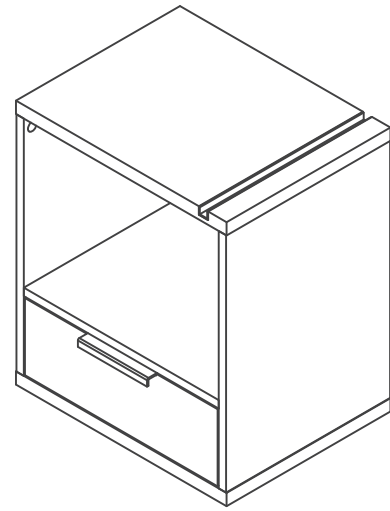
CLEAN

with a soft cloth moistened
in lukewarm soap and water.
Buff with a dry clean cloth.



homestyles will provide replacements free of charge for missing or damaged parts within 30 days of purchase. Digital images of the defective parts may be required. If the product was not purchased from an authorized retailer, **homestyles** is under no obligation to provide replacement parts. Parts are not available for fully assembled items nor are parts available for sale. Replacements for missing or damaged parts may be requested via contact info below.

homestyles Customer Service: www.homestylesfurniture.com,
servicedesk@homestylesfurniture.com, 888-680-7460



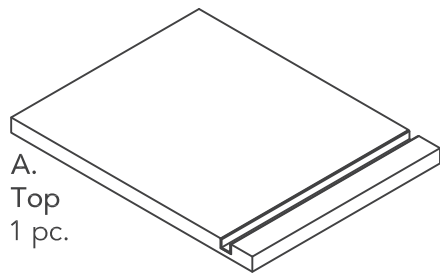
IMPORTANT

Carefully remove all the parts from the carton and place them individually on a soft cloth to prevent scratches or other damage.

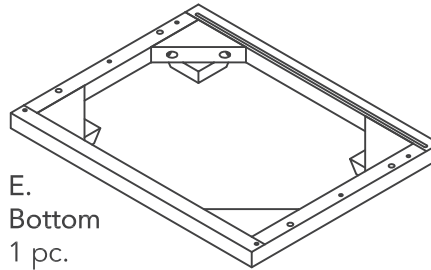
Carefully and strictly follow these assembly instructions to ensure a completed product as designed.

Do not use power tools above 8 volts to assemble.

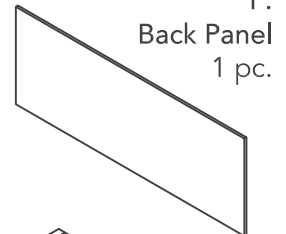
Part List



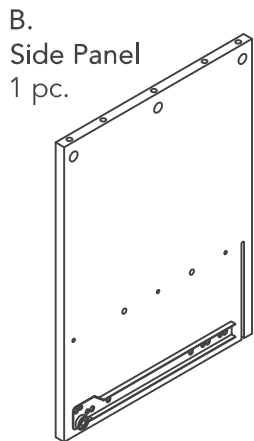
A.
Top
1 pc.



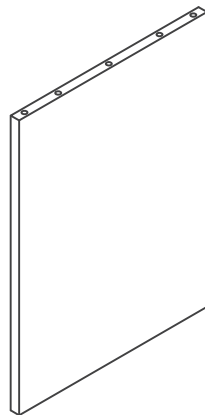
E.
Bottom
1 pc.



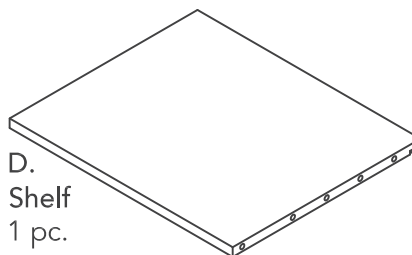
F.
Back Panel
1 pc.



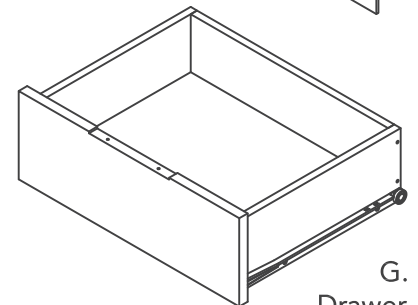
B.
Side Panel
1 pc.



C.
Side Panel
1 pc.



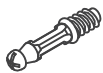
D.
Shelf
1 pc.



G.
Drawer
1 pc.

Refer to later page(s) of these instructions for drawer assembly.

Hardware List



Cam Lock Screw
12 pcs. (+2 extra)



Cam Lock
12 pcs. (+2 extra)



M4x38
1 1/2" Round Head Screw
6 pcs. (+1 extra)



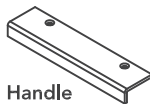
M3x32
1 1/4" Flat Head Screw
8 pcs. (+1 extra)



M3x19
3/4" Flat Head Screw
6 pcs. (+1 extra)



M3x16
5/8" Flat Head Screw
4 pcs. (+1 extra)



Handle
1 pc.



Dowel
12 pcs. (+1 extra)



Wedge
4 pcs. (+1 extra)



Cap
6 pcs. (+1 extra)

Tool(s) required for assembly: Phillips screwdriver, Level.

homestyles Customer Service: www.homestylesfurniture.com,
servicedesk@homestylesfurniture.com, 888-680-7460

Assembly Instructions 2/7

IMPORTANT

- Use a soft cloth between these parts and the floor.
- Do not use power tools above 8 volts to assemble.
- Do not tighten all the screws until each part is properly assembled.
- The unit must be level to work properly. Use the included adjustable levelers to level.

STEP 1

Insert Cam Lock Screws into pre-drilled holes in Top (A) and Side Panels (B), (C), then tighten.

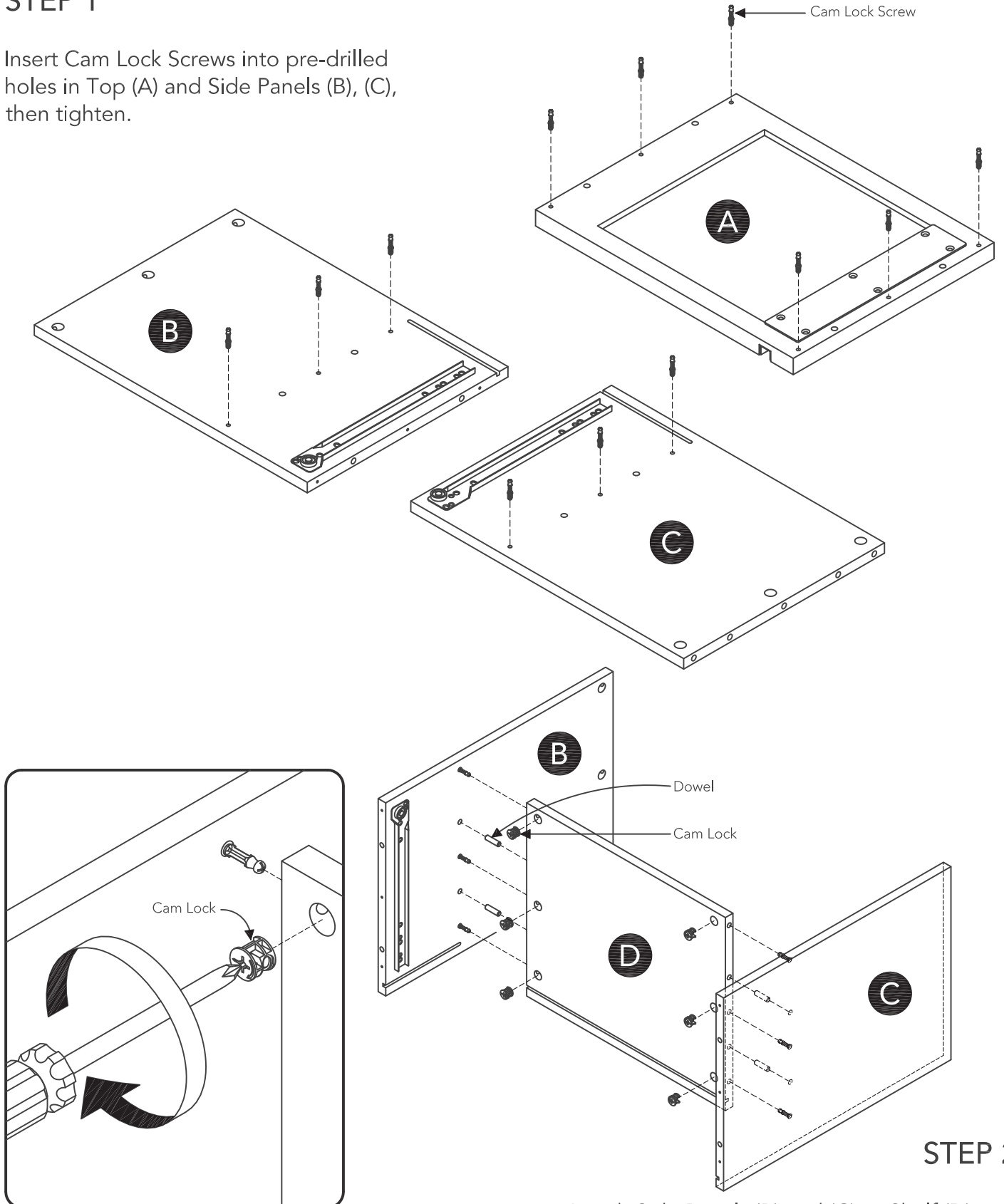


Figure 1

STEP 2

Attach Side Panels (B) and (C) to Shelf (D) with Dowels and Cam Locks. (See Figure 1)

Assembly Instructions 3/7

STEP 3

Attach Top (A) to unit with Dowels and Cam Locks.

Note: Top (A) can be attached with slot on left side or on right side.

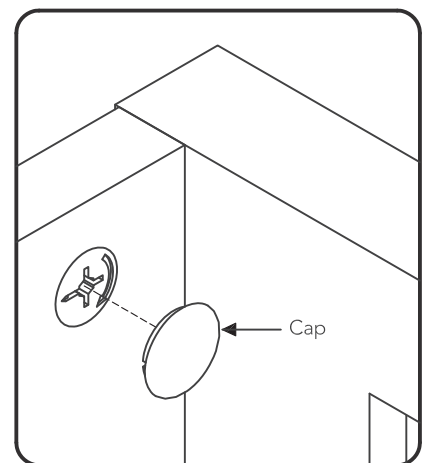
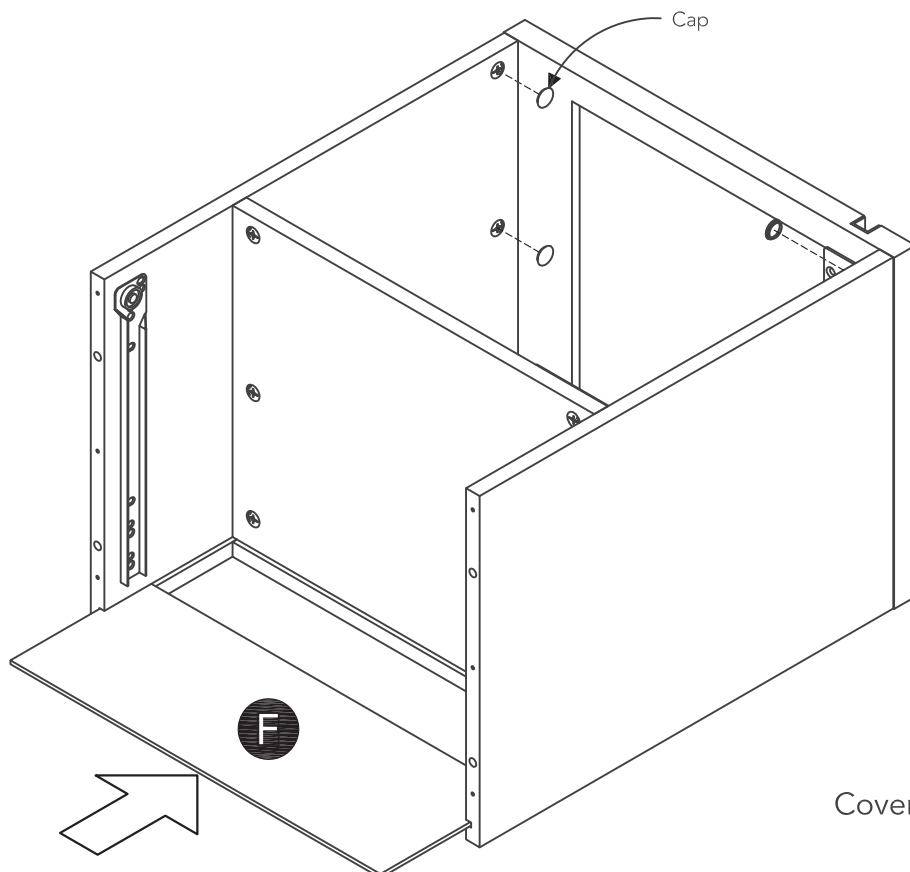
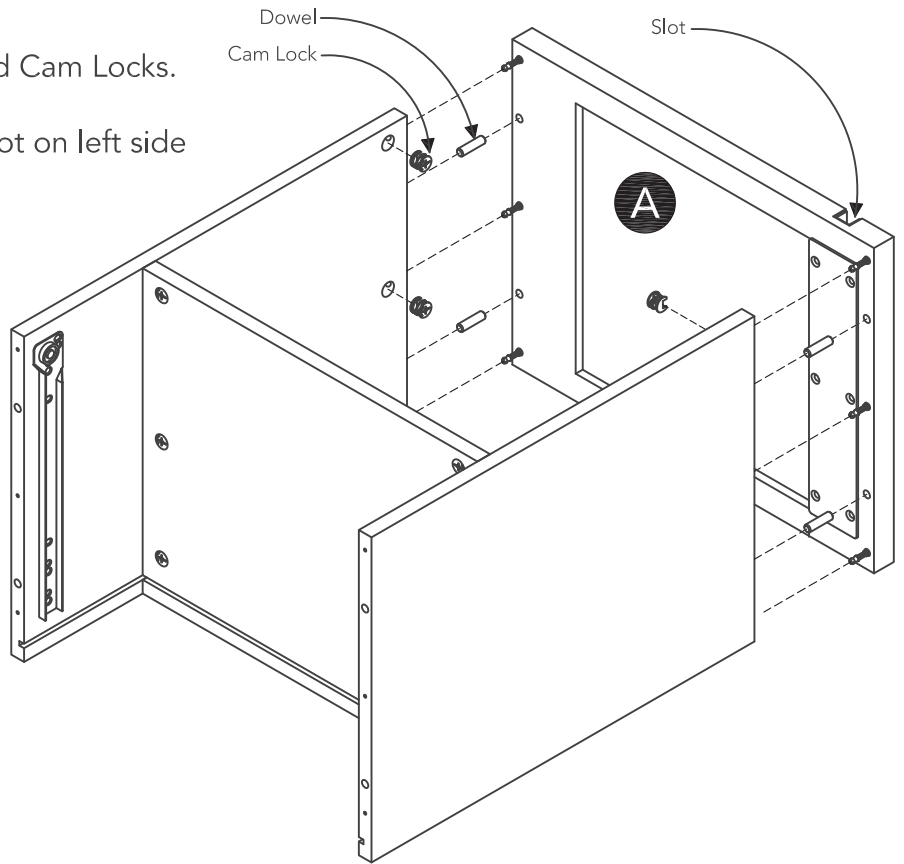


Figure 2

STEP 4

Cover Cam Locks with Caps. (See Figure 2)

Slide Back Panel (F) into groove.

Assembly Instructions 4/7

STEP 5

Attach Bottom (E) to unit with Dowels and 1 1/2" Round Head Screws.

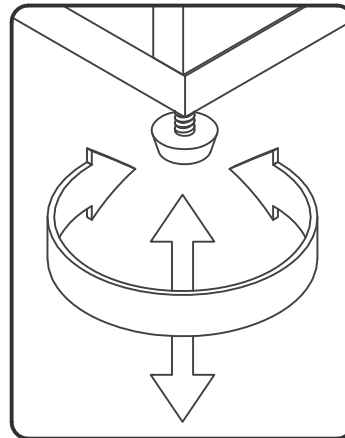
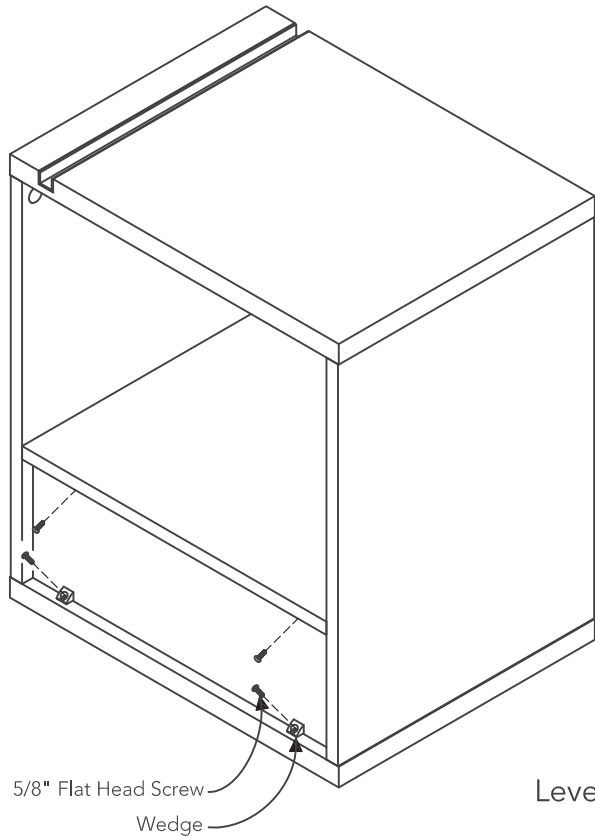
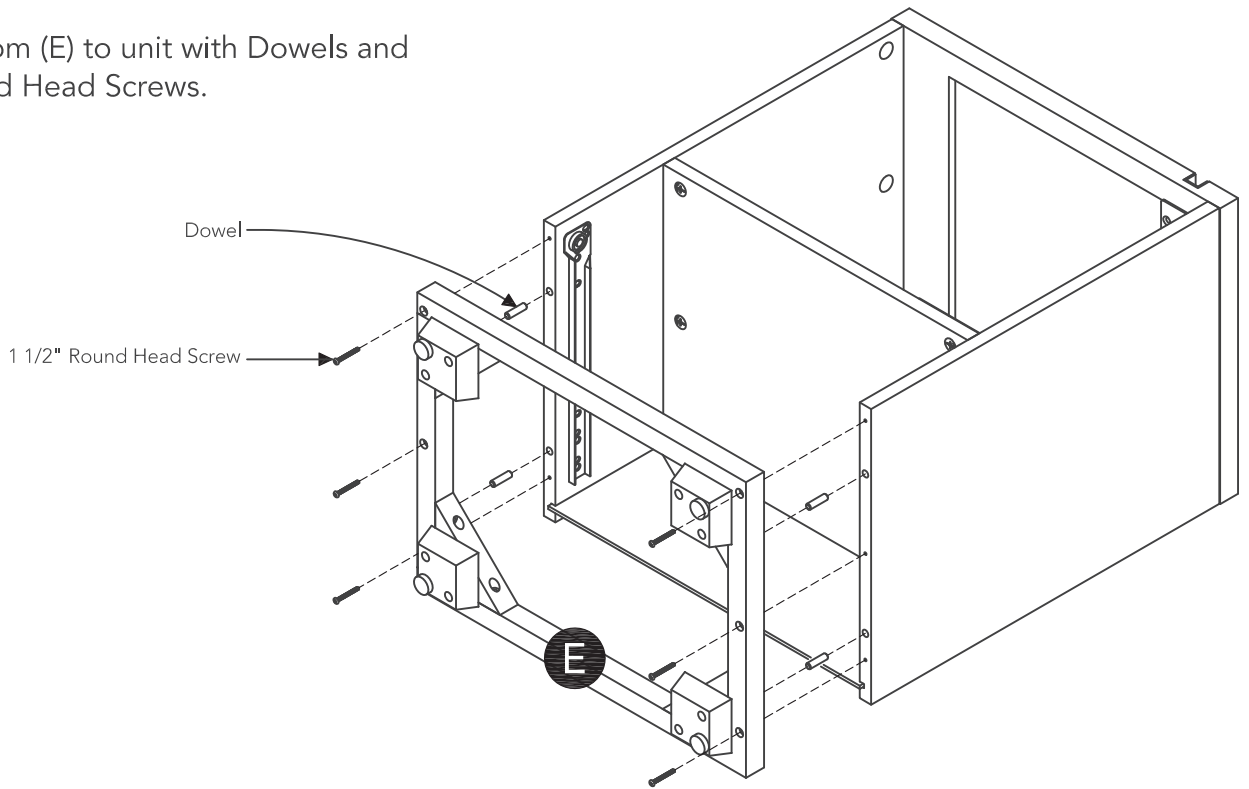


Figure 3

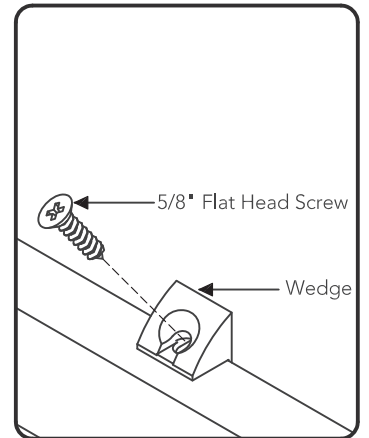


Figure 4

STEP 6

Turn unit to its upright position.

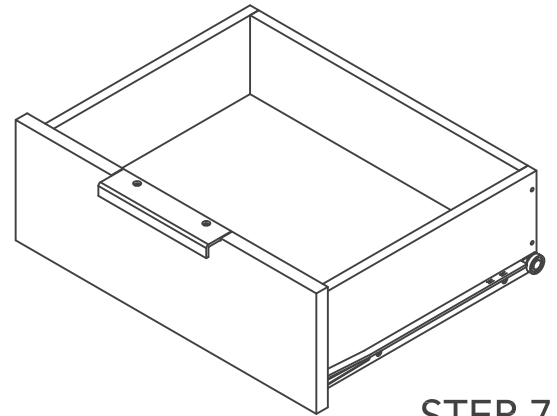
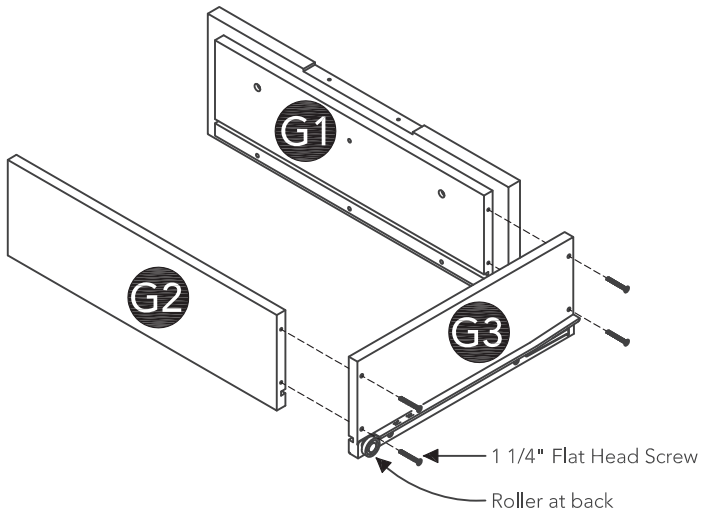
Level unit by adjusting the adjustable levelers on bottom of unit.
(See Figure 3)

Attach Wedges to unit with 5/8" Flat Head Screws.
(See Figure 4)

Note: Unit must be level to proceed.

Assembly Instructions 5/7

Drawer (G)



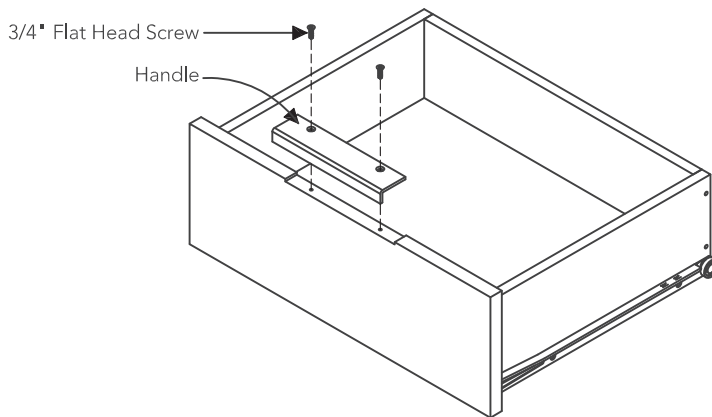
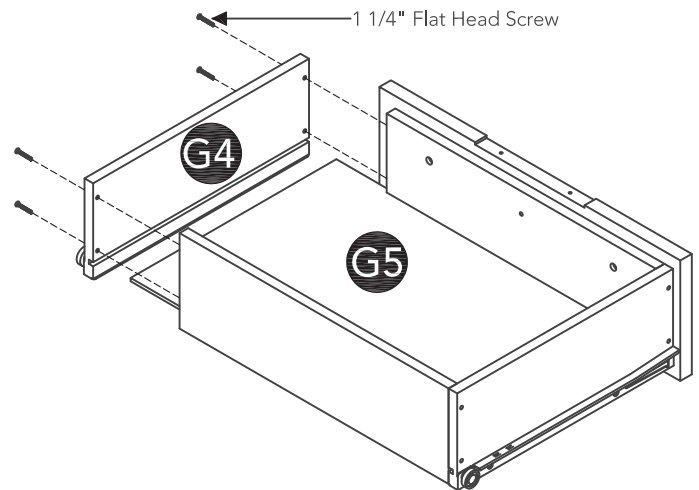
STEP 7

Attach Drawer Front (G1) and Drawer Back (G2) to Drawer Side (G3) with 1 1/4" Flat Head Screws.

STEP 8

Insert Drawer Bottom (G5) into groove.

Attach Drawer Side (G4) to unit with 1 1/4" Flat Head Screws.

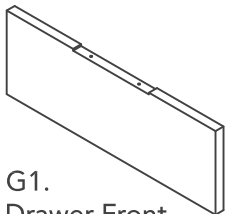


STEP 9

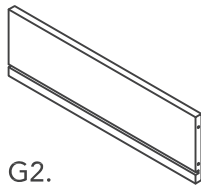
Attach Handle with 3/4" Flat Head Screws.

Note: Drawer assembly is not complete until 3/4" Flat Head Screws are used in a later step.

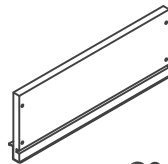
Part List



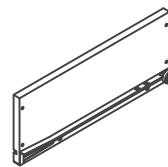
G1.
Drawer Front
1 pc.



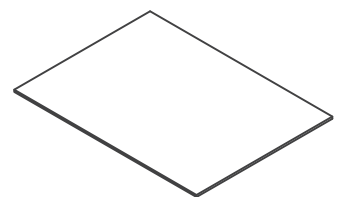
G2.
Drawer Back
1 pc.



G3.
Drawer Side
1 pc.



G4.
Drawer Side
1 pc.

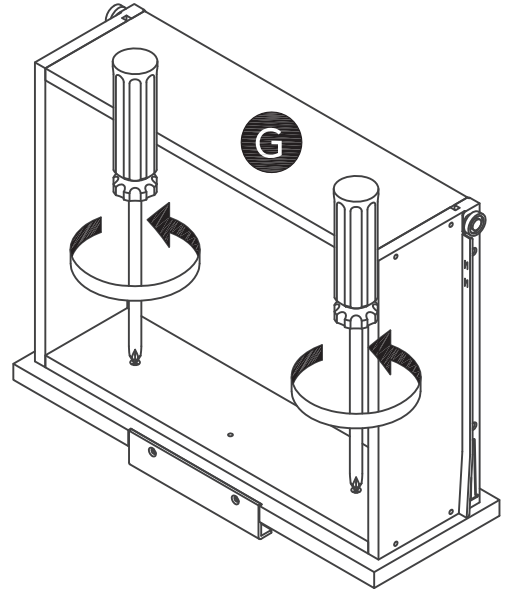
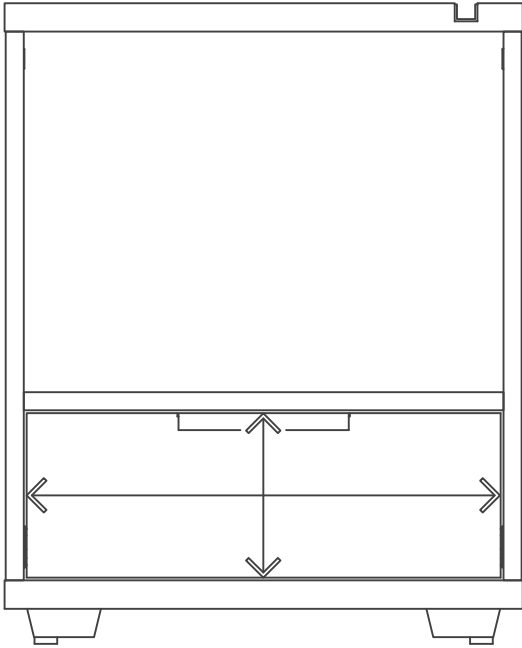


G5.
Drawer Bottom
1 pc.

Assembly Instructions 6/7

STEP 10

Loosen slightly screws pre-installed on back of drawer front.



STEP 11

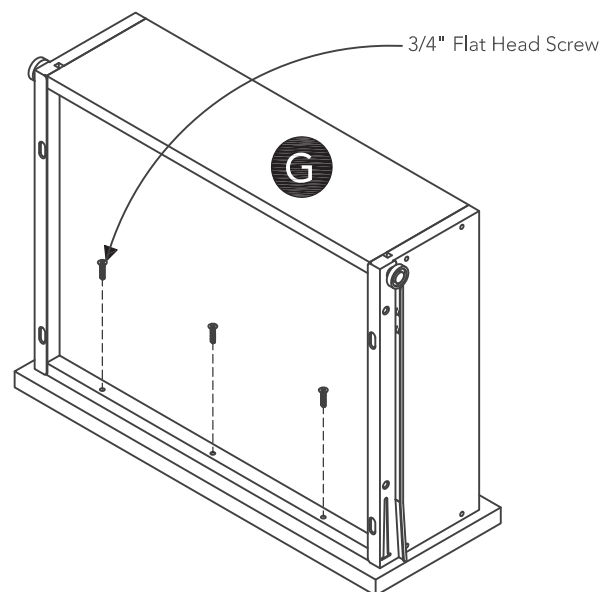
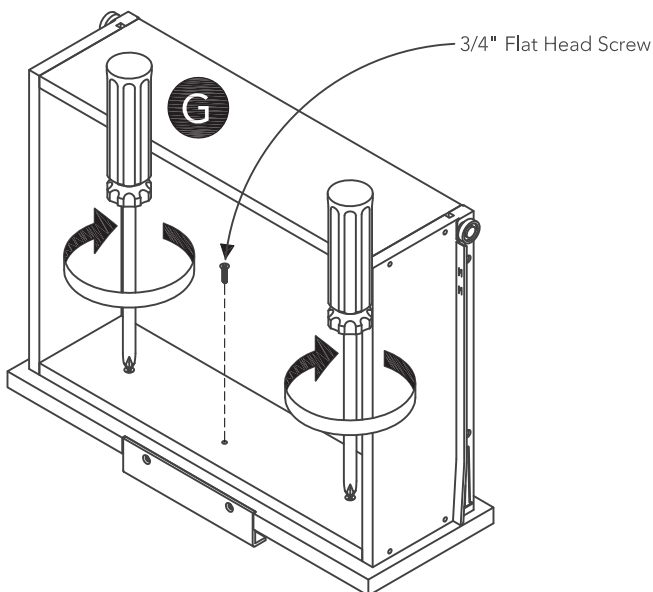
Insert drawer into unit, then adjust drawer front panel left or right and up or down until drawer gaps look proportional.

STEP 12

Pull drawer open slowly, then re-tighten screws from Step 10.

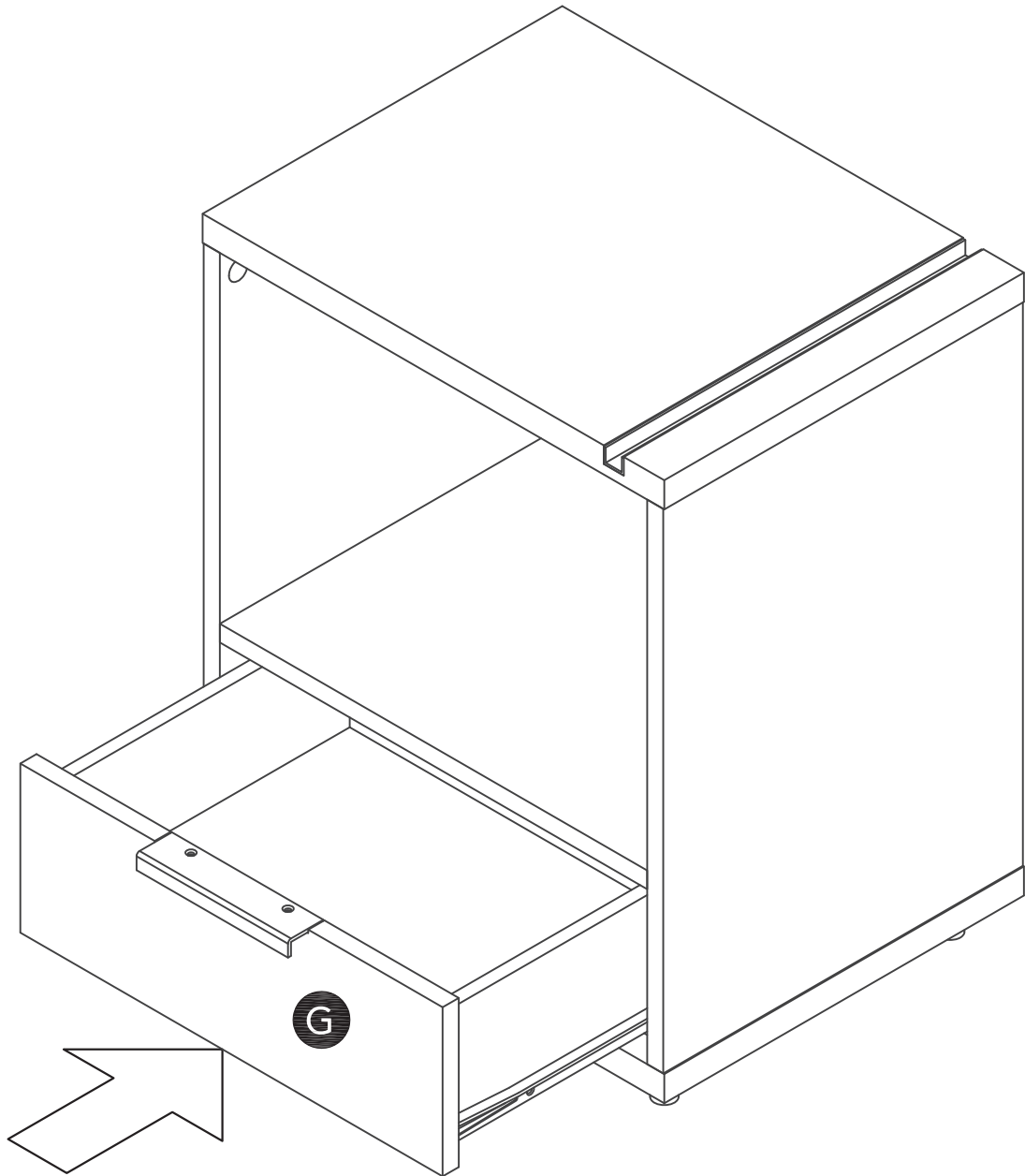
Make sure drawer front panel does not move and lock drawer front panel into position with 3/4" Flat Head Screws.

Note: These 3/4" Flat Head Screws must be installed to complete the drawer assembly.



STEP 13

Slide Drawer (G) into position.



CARE INSTRUCTIONS

NEVER

allow liquids to remain on furniture.
Absorption causes parts to warp
and split and finishes to delaminate.

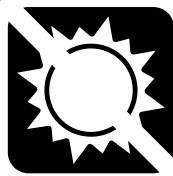
NEVER

use glass cleaners on
finished furniture. Ammonia
chemically attacks the finish.



Do not use power tools
above 8 volts to assemble.

**PREVENT
CRACKING**



Do not place
in direct sunlight.

**PREVENT
FADING**



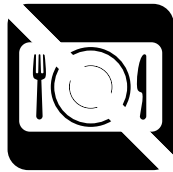
Do not write
directly on surface.

**PREVENT
MARKING**



Do not place hot
objects on surface.

**PREVENT
FINISH DAMAGE**



Do not use rubber
based placemats.

**PREVENT
DISCOLORING**



Do not use commercial
waxes and polishes.

**PREVENT
YELLOWING**

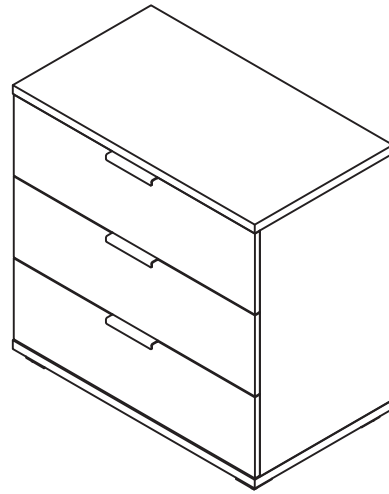
CLEAN

with a soft cloth moistened
in lukewarm soap and water.
Buff with a dry clean cloth.



homestyles will provide replacements free of charge for missing or damaged parts within 30 days of purchase. Digital images of the defective parts may be required. If the product was not purchased from an authorized retailer, **homestyles** is under no obligation to provide replacement parts. Parts are not available for fully assembled items nor are parts available for sale. Replacements for missing or damaged parts may be requested via contact info below.

homestyles Customer Service: www.homestylesfurniture.com,
servicedesk@homestylesfurniture.com, 888-680-7460



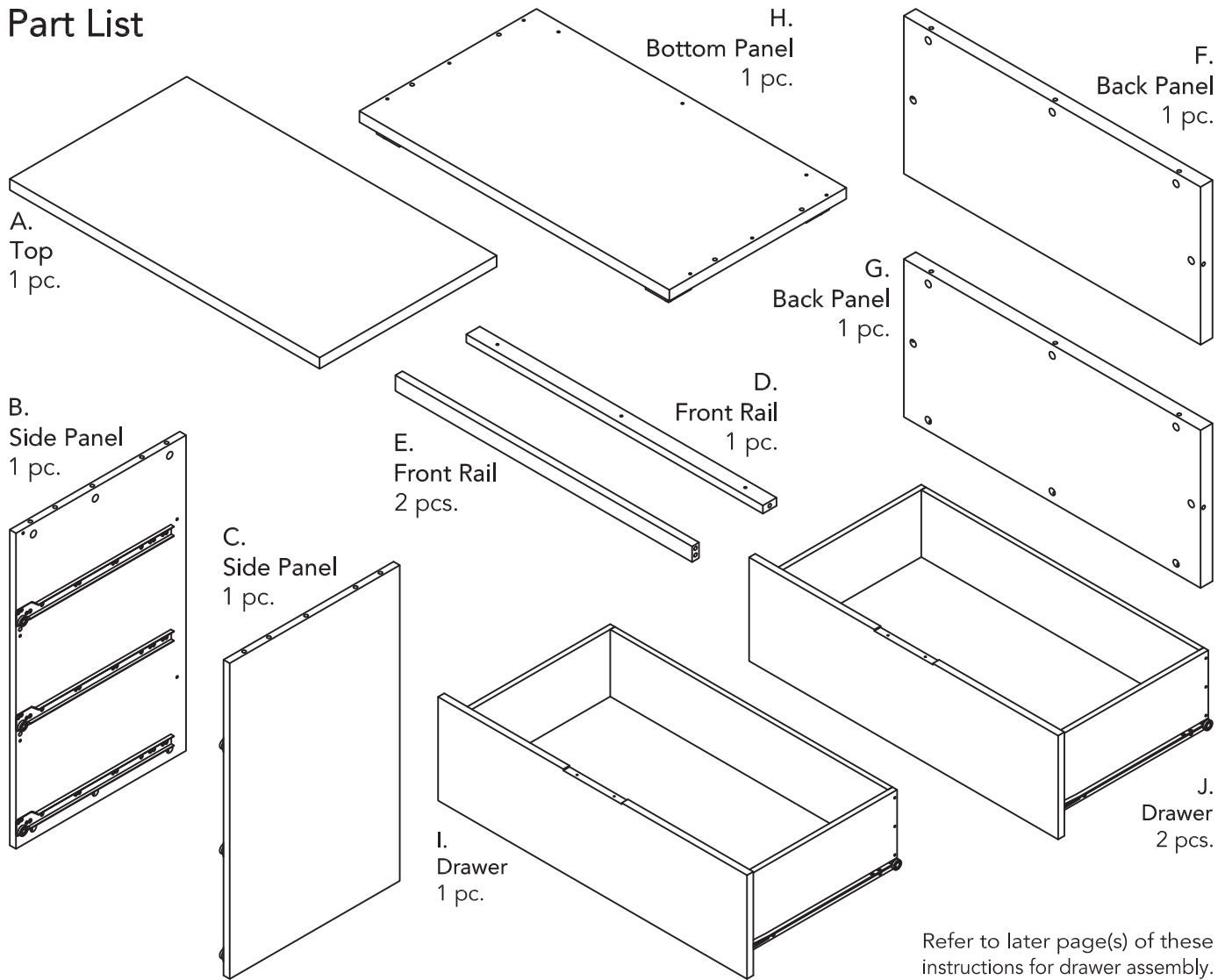
IMPORTANT

Carefully remove all the parts from the carton and place them individually on a soft cloth to prevent scratches or other damage.

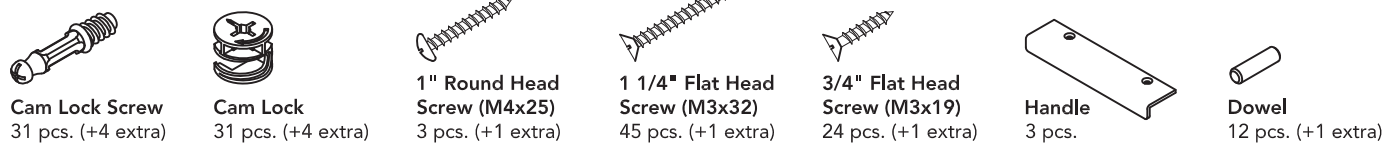
Carefully and strictly follow these assembly instructions to ensure a completed product as designed.

Do not use power tools above 8 volts to assemble.

Part List



Hardware List



Tool(s) required for assembly: Phillips screwdriver, Level, Pencil, Drill (8 volts or less), 3/8" Drill Bit

homestyles Customer Service: www.homestylesfurniture.com,
servicedesk@homestylesfurniture.com, 888-680-7460

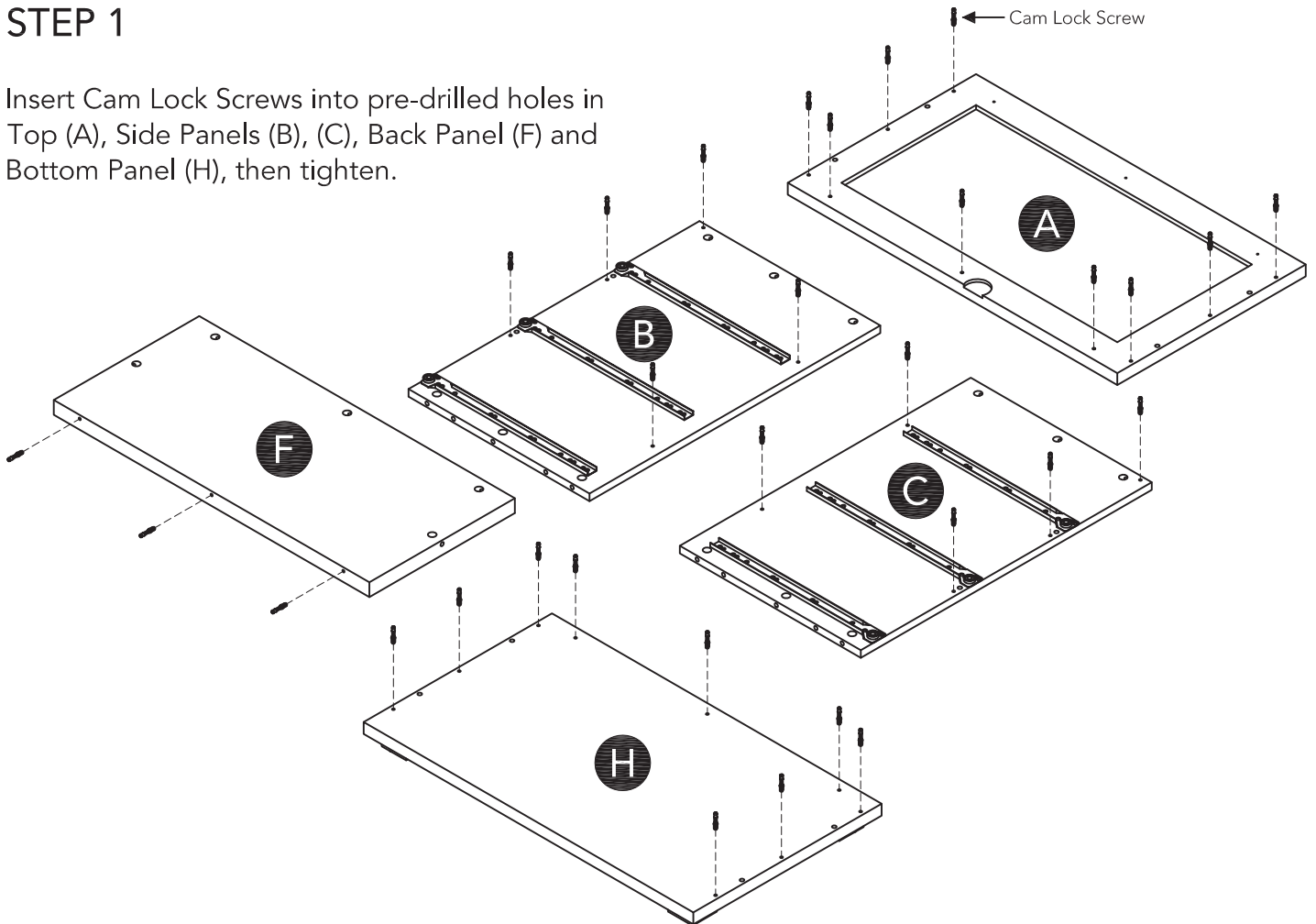
Assembly Instructions 2/9

IMPORTANT

- Use a soft cloth between these parts and the floor.
- Do not use power tools above 8 volts to assemble.
- Do not tighten all the bolts until each part is properly assembled.
- The unit must be level to work properly. Use the included adjustable levelers to level.

STEP 1

Insert Cam Lock Screws into pre-drilled holes in Top (A), Side Panels (B), (C), Back Panel (F) and Bottom Panel (H), then tighten.



STEP 2

Attach Back Panel (F) to Back Panel (G) with Cam Locks. (See Figure 1)

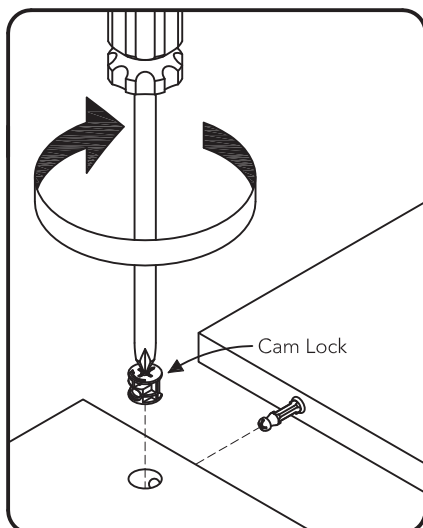
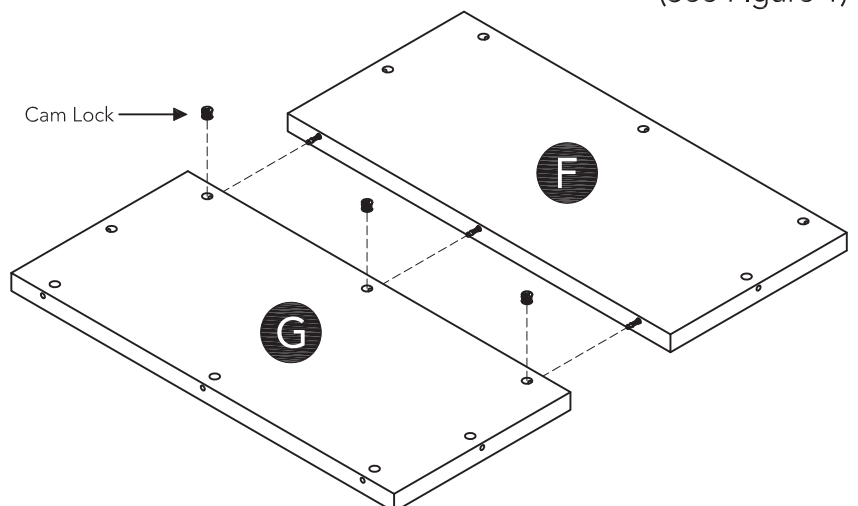


Figure 1



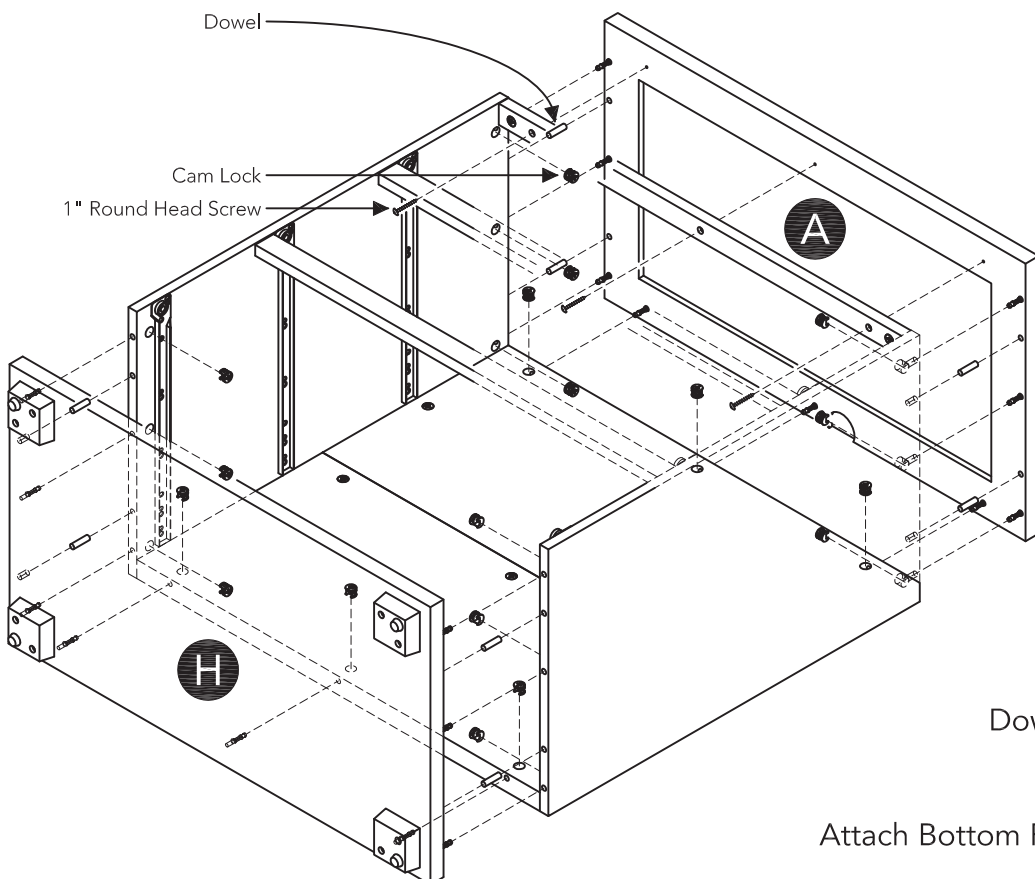
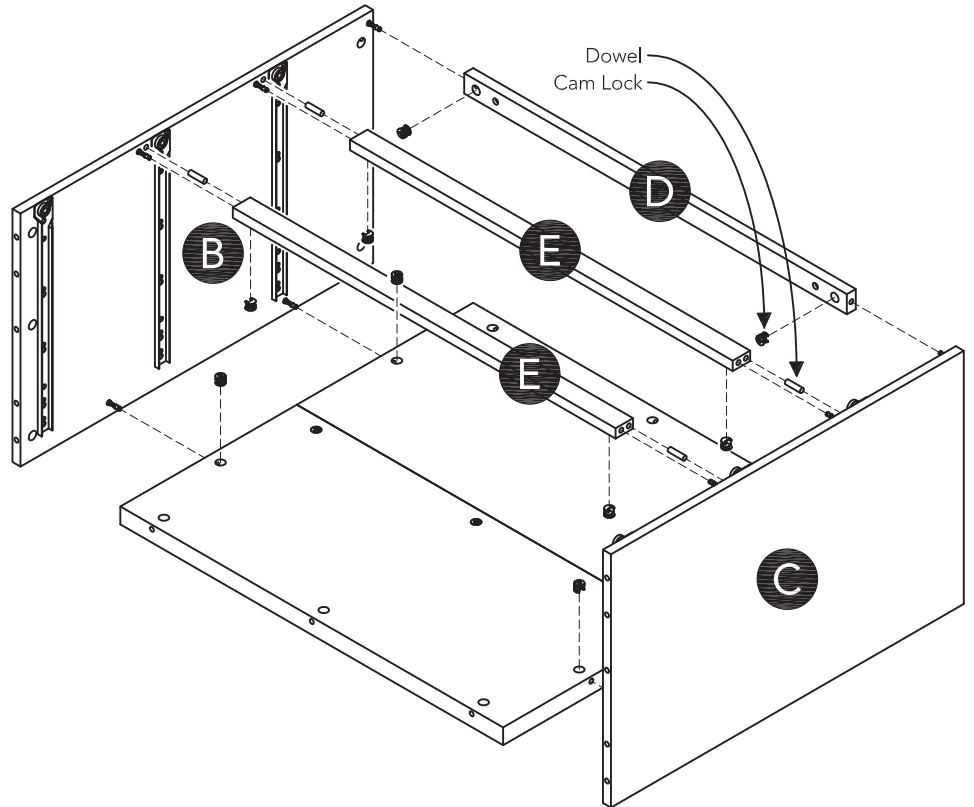
Assembly Instructions 3/9

STEP 3

Attach Side Panel (B) to unit with Cam Locks.

Attach Front Rails (D) and (E) to unit with Dowels and Cam Locks.

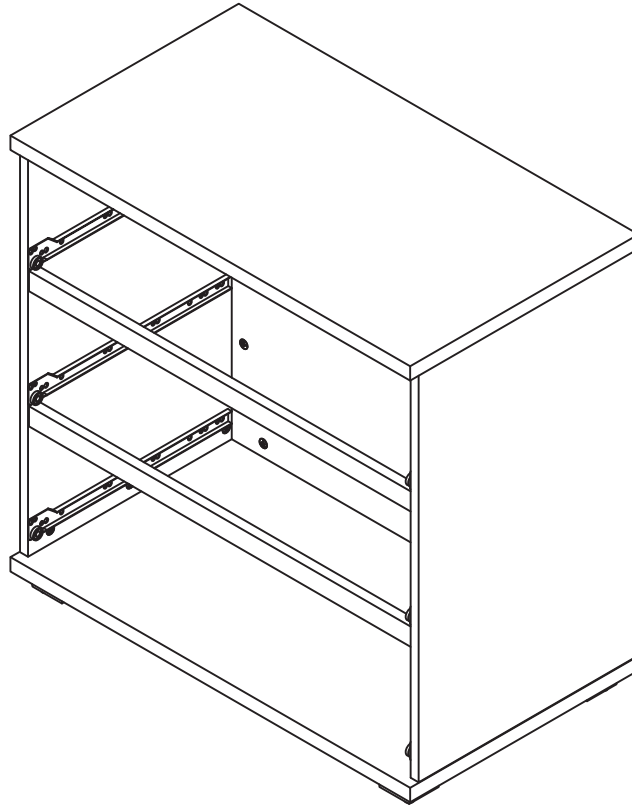
Attach Side Panel (C) to unit with Dowels and Cam Locks.



STEP 4

Attach Top (A) to unit with Dowels, 1" Round Head Screws and Cam Locks.

Attach Bottom Panel (H) to unit with Dowels and Cam Locks.



STEP 5

Turn unit to its upright position.

Level unit by adjusting the adjustable levelers on bottom of unit.
(See Figure 2)

Note: Unit must be level to work properly.

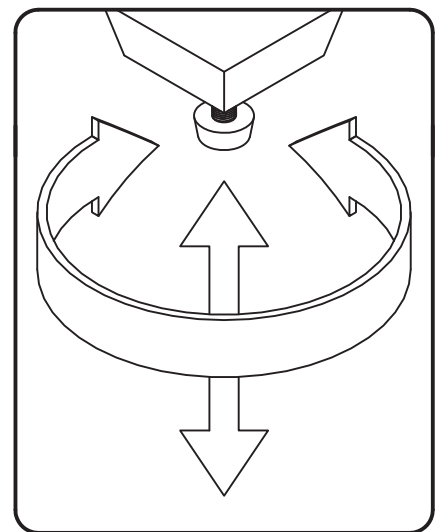


Figure 2

Assembly Instructions 5/9

IMPORTANT

- To help reduce the risk of the unit tipping over, the Tipover Restraint must be installed following these instructions exactly.

STEP 6

Place unit at desired location.

Mark wall with pencil just above and in-line with hole in Top (A). (See Figure 3)

Move unit.

Drill a 3/8" hole in wall 1 1/2" below mark.

Insert Anchor into the wall hole and attach Tipover Restraint to Anchor with 1 1/2" Round Head Screw and Flat Washer. (See Figure 4)

Move unit back into place and insert Tipover Restraint into unit through hole in Top (A). (See Figure 5)

Attach Tipover Restraint to unit with 1/2" Round Head Screw and Flat Washer. (See Figure 6)

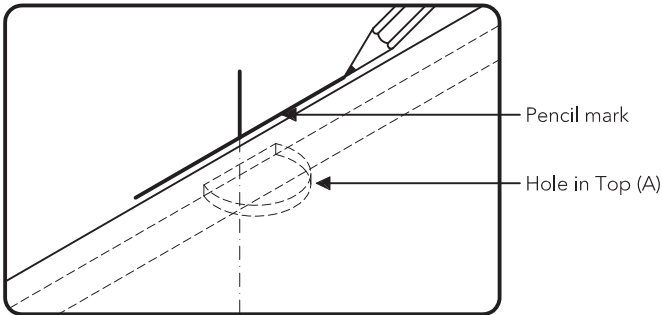
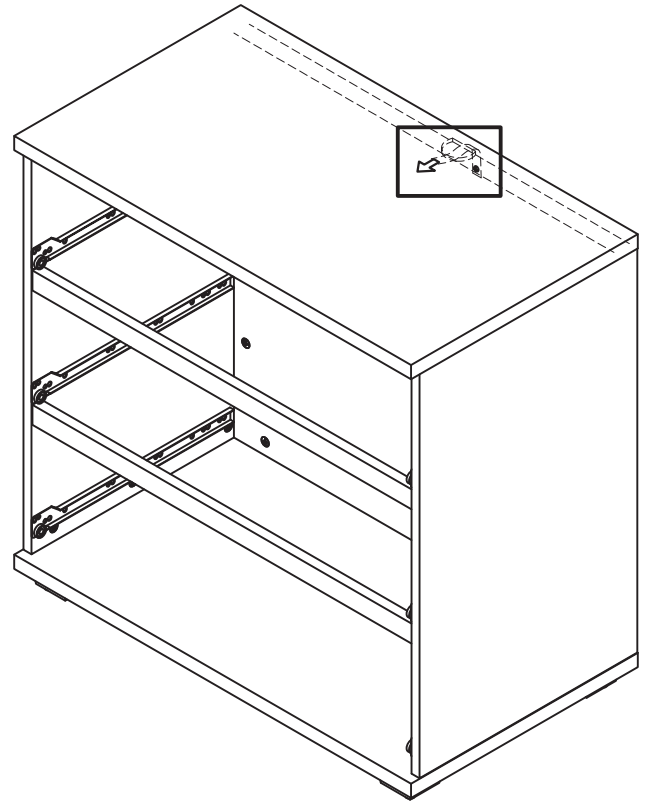


Figure 3

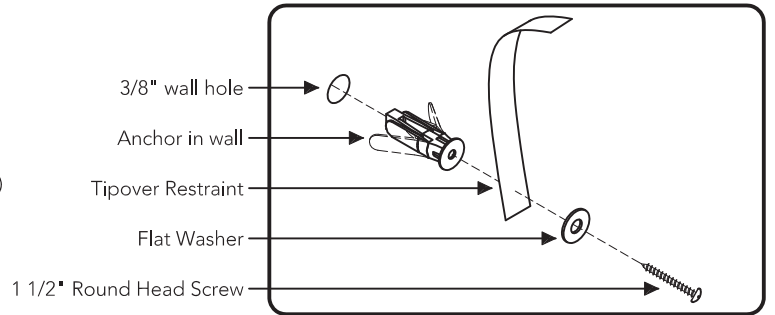


Figure 4

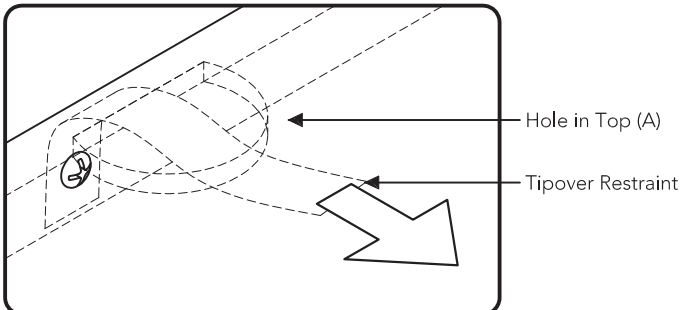


Figure 5

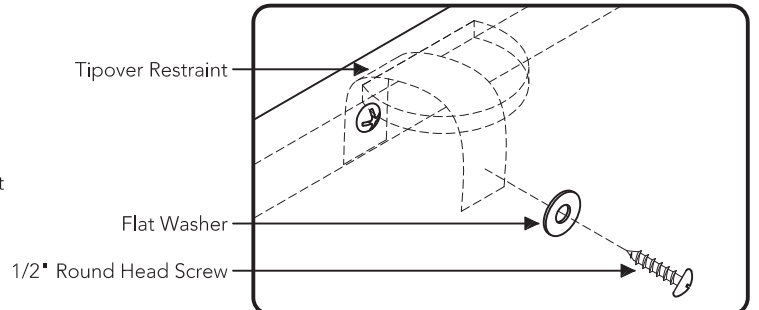
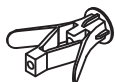


Figure 6

Hardware List



Tipover Restraint
1 pc.



Anchor
1 pc. (+1 extra)



M3x38
1 1/2" Round Head Screw
1 pc. (+1 extra)

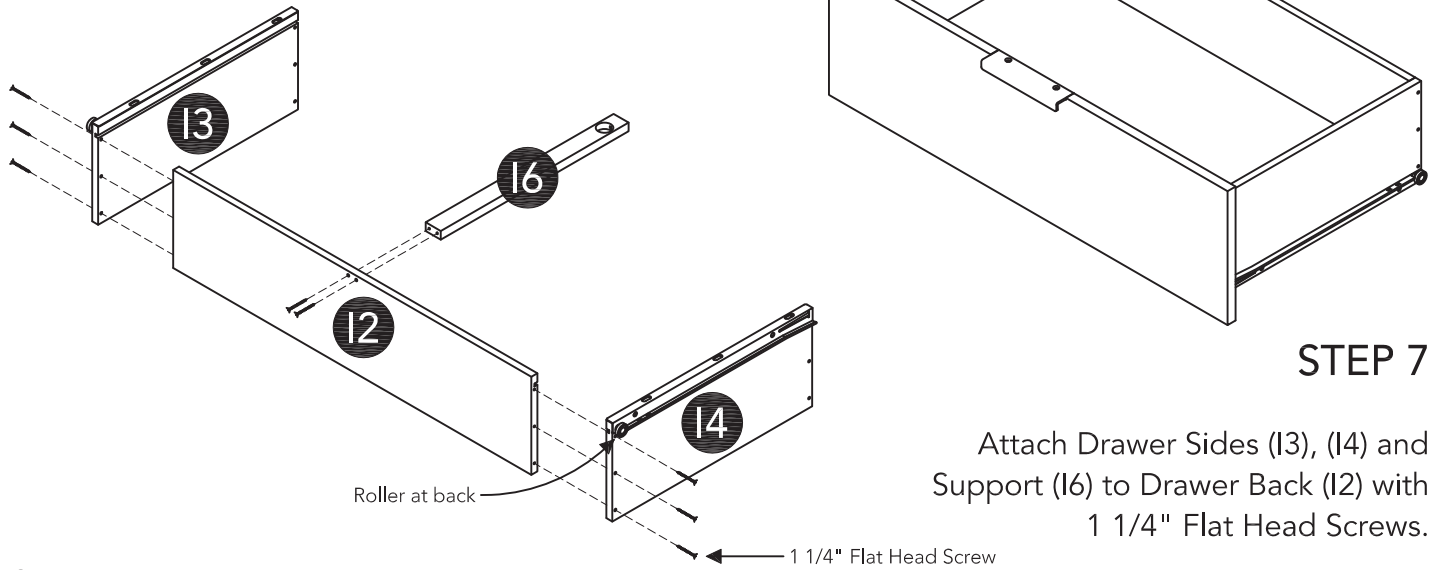


M3x13
1/2" Round Head Screw
1 pc. (+1 extra)



Flat Washer
2 pcs. (+1 extra)

Drawer (I)



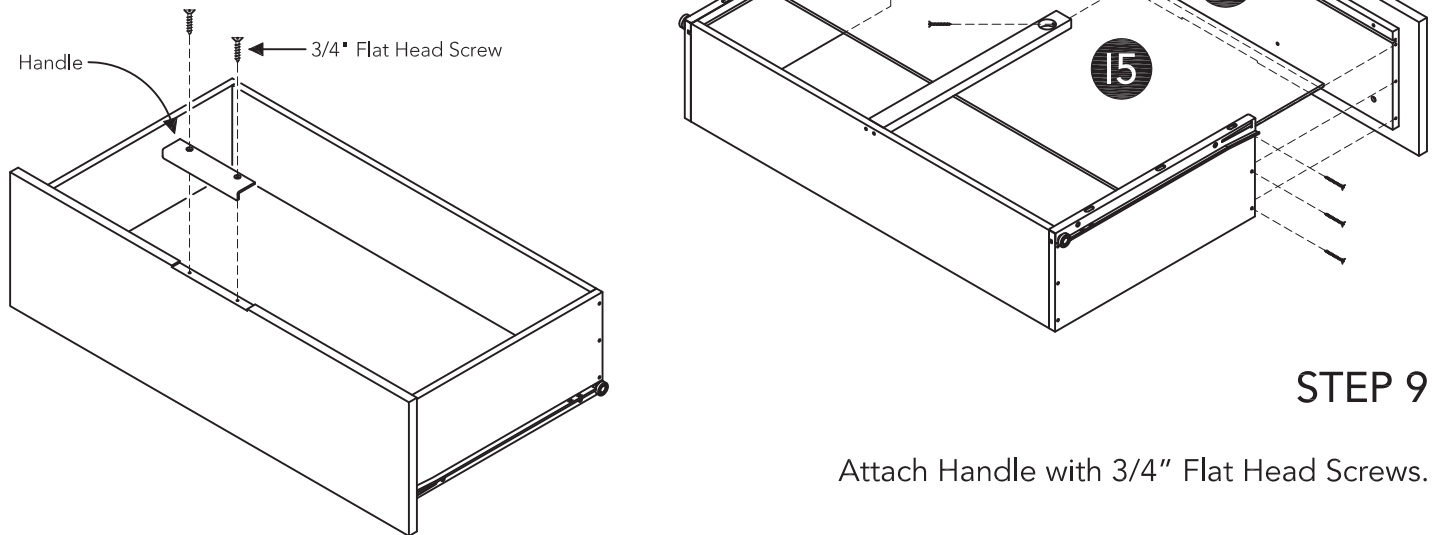
STEP 7

Attach Drawer Sides (13), (14) and Support (16) to Drawer Back (12) with 1 1/4" Flat Head Screws.

STEP 8

Insert Drawer Bottom (15) into groove.

Attach Drawer Front (11) to unit with 1 1/4" Flat Head Screws.

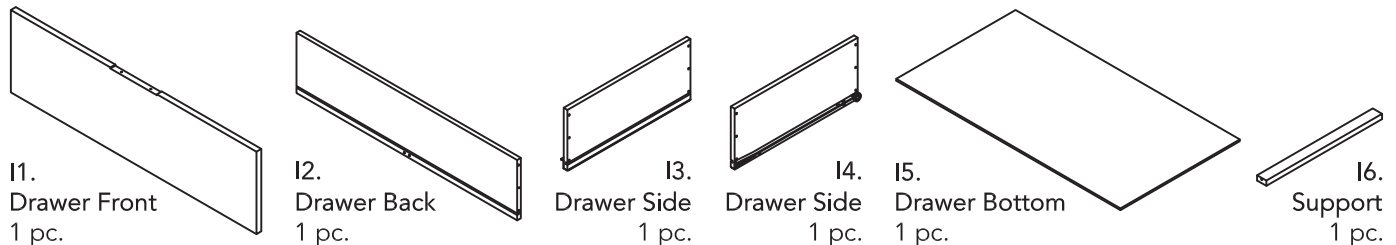


STEP 9

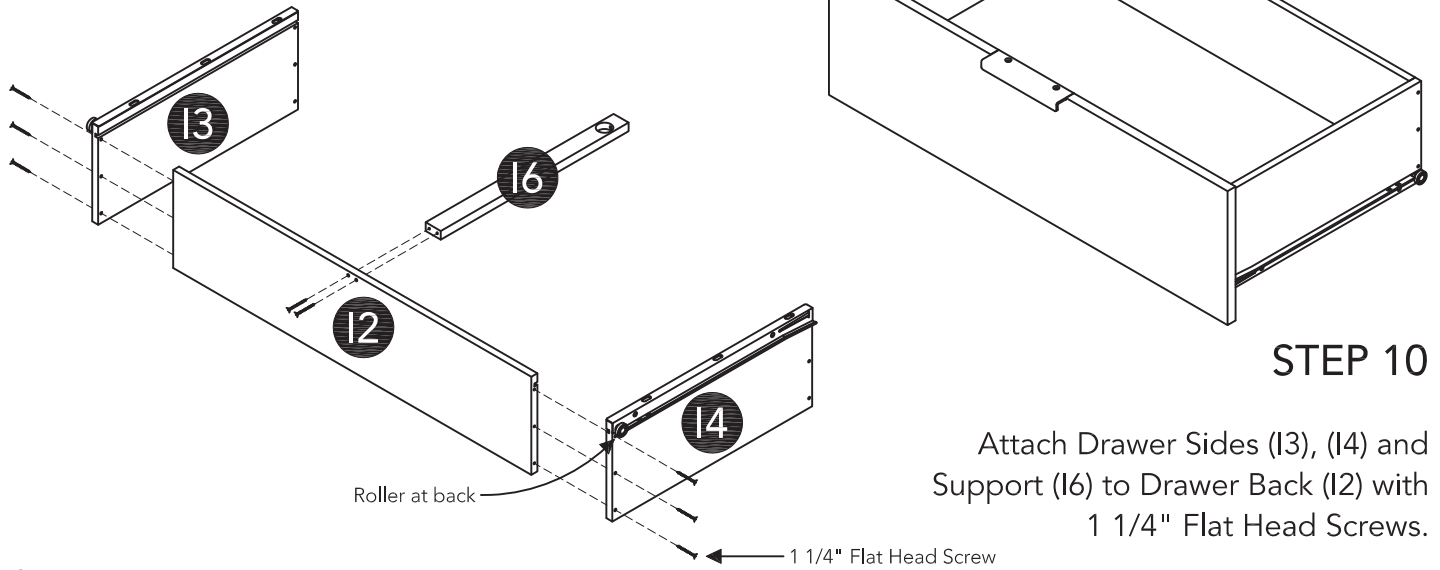
Attach Handle with 3/4" Flat Head Screws.

Note: Drawer assembly is not complete until 3/4" Flat Head Screws are installed in a later step.

Part List



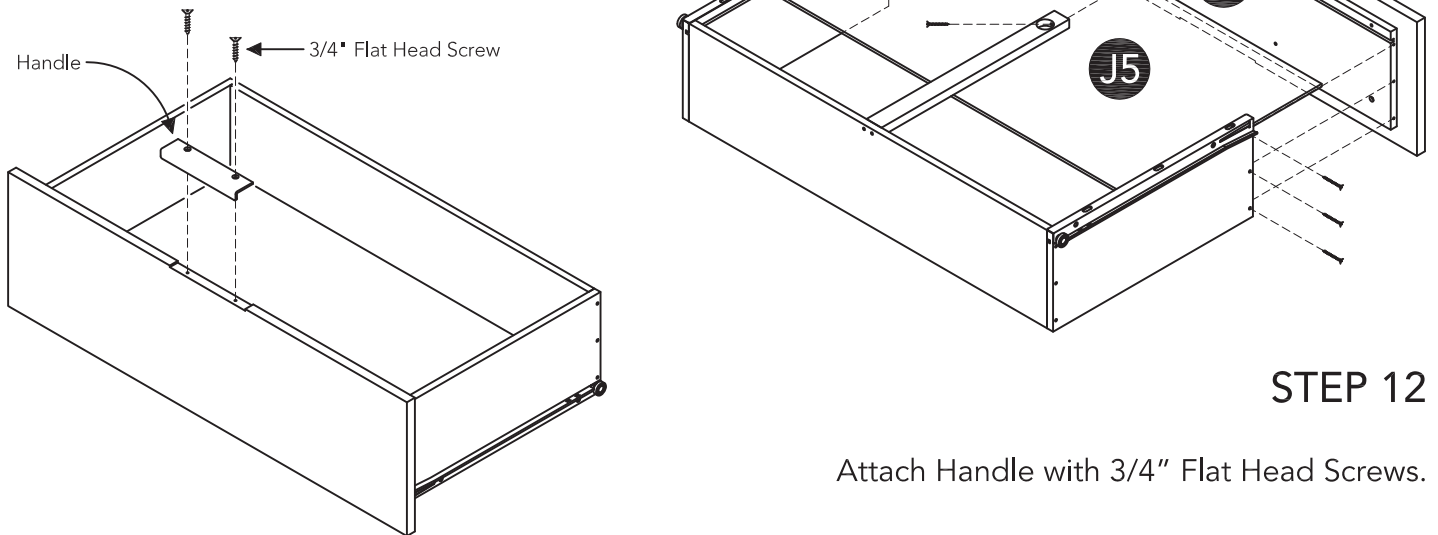
Drawer (J)



STEP 11

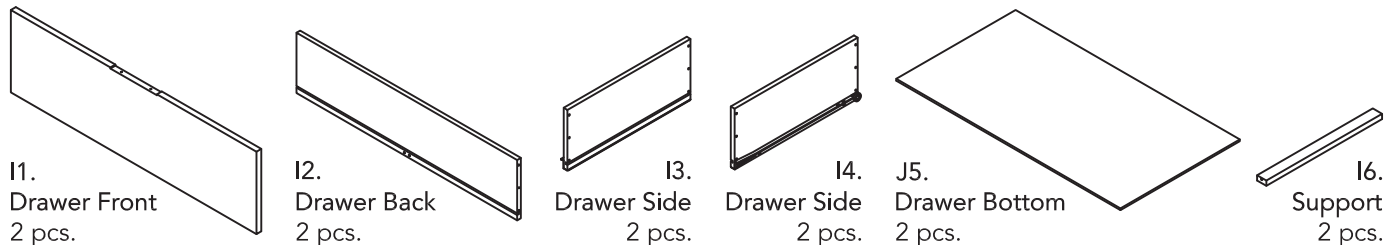
Insert Drawer Bottom (J5) into groove.

Attach Drawer Front (I1) to unit with 1 1/4" Flat Head Screws.



Note: Drawer assembly is not complete until 3/4" Flat Head Screws are installed in a later step.

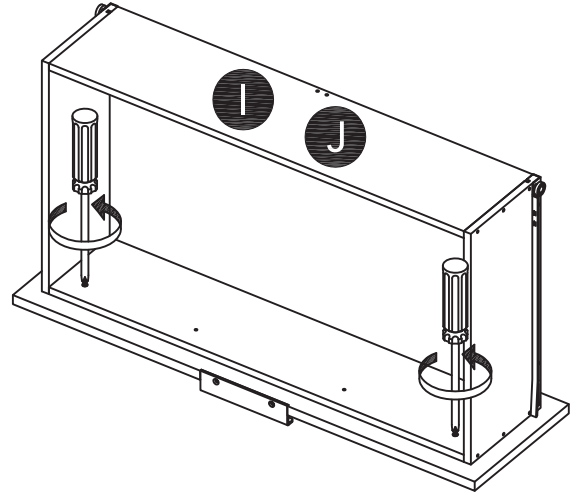
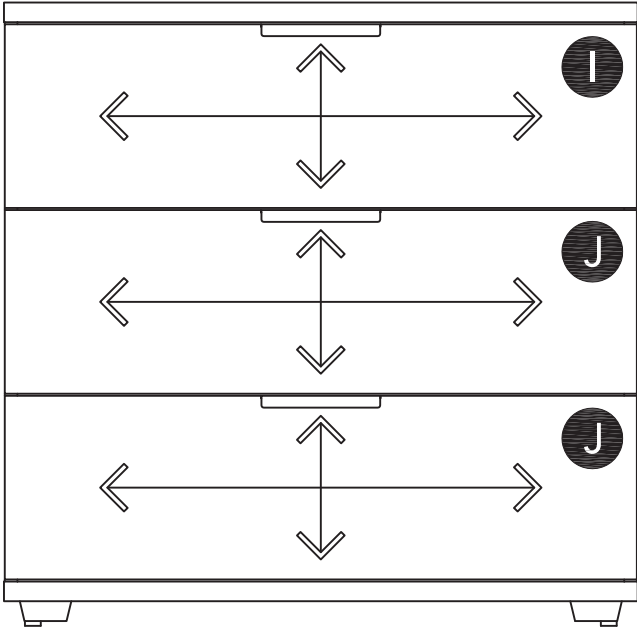
Part List



Assembly Instructions 8/9

STEP 13

Loosen slightly the screws pre-installed on back of drawer fronts.



STEP 14

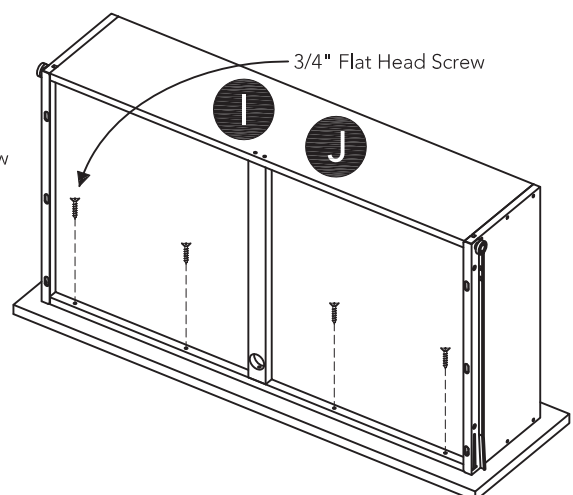
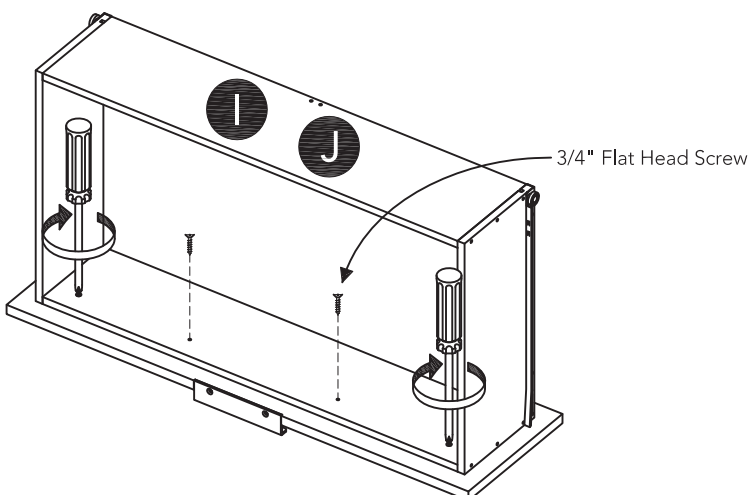
Insert Drawers (I) and (J) into unit, then adjust drawer front panels left or right and up or down until drawer gaps look proportional.

STEP 15

Pull each drawer open slowly, then re-tighten screws from Step 13.

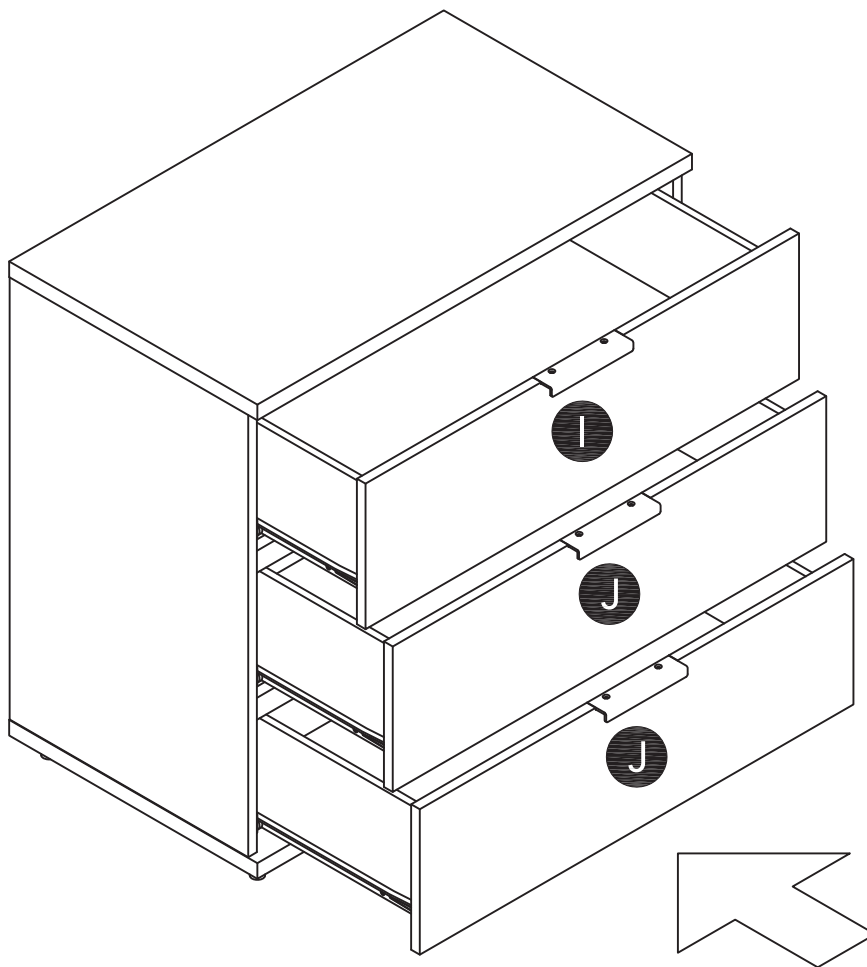
Make sure drawer front panels do not move and lock drawer front panels into position with 3/4" Flat Head Screws.

Note: These 3/4" Flat Head Screws must be installed to complete the drawer assembly.



STEP 16

Slide Drawers (I) and (J) into position.



CARE INSTRUCTIONS

NEVER

allow liquids to remain on furniture.
Absorption causes parts to warp
and split and finishes to delaminate.

NEVER

use glass cleaners on
finished furniture. Ammonia
chemically attacks the finish.



Do not use power tools
above 8 volts to assemble.

**PREVENT
CRACKING**



Do not place
in direct sunlight.

**PREVENT
FADING**



Do not write
directly on surface.

**PREVENT
MARKING**



Do not place hot
objects on surface.

**PREVENT
FINISH DAMAGE**



Do not use rubber
based placemats.

**PREVENT
DISCOLORING**



Do not use commercial
waxes and polishes.

**PREVENT
YELLOWING**

CLEAN

with a soft cloth moistened
in lukewarm soap and water.
Buff with a dry clean cloth.



homestyles will provide replacements free of charge for missing or damaged parts within 30 days of purchase. Digital images of the defective parts may be required. If the product was not purchased from an authorized retailer, **homestyles** is under no obligation to provide replacement parts. Parts are not available for fully assembled items nor are parts available for sale. Replacements for missing or damaged parts may be requested via contact info below.

homestyles Customer Service: www.homestylesfurniture.com,
servicedesk@homestylesfurniture.com, 888-680-7460