

D.

DEFINITIVE TECHNOLOGY™

Studio 3D Mini

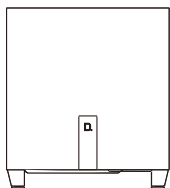
4.1 Home Theater Sound Bar and Wireless Subwoofer System

Setup Guide

What's in the Box



Sound bar



Subwoofer



HDMI cable



Power cords



Optical cable



Wall mount spacers



Wall mount template



Literature



Remote control



Two AAA batteries

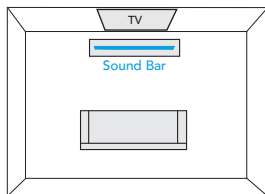
Setup

1.

Place the sound bar

For the best listening experience, position the sound bar centered under your TV. You may choose to place it either on your furniture, or wall-mount the sound bar below the TV.

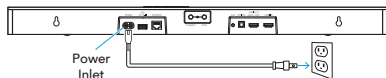
OPTIONAL: The Studio 3D Mini can be wall mounted. Please refer to the wall mount template in the product carton.



2.

Connect the sound bar to an AC outlet

During startup, you will see a single LED on your sound bar blinking slowly. When the light appears as solid amber, you can move on to the next step.

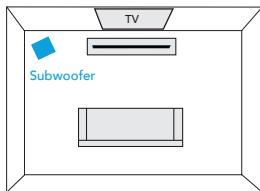


3.

Place the subwoofer

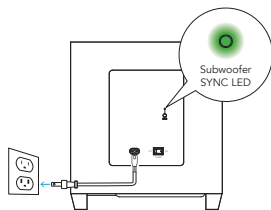
For the best performance, place on the same wall as the TV, no more than 30 ft (10 m) from the sound bar.

Performance Tip: placing the subwoofer in a corner can make the bass seem even more pronounced.



4. **Connect the subwoofer to an AC outlet and switch power to ON**

On the back of the subwoofer, the SYNC LED will be solid green to indicate that it is paired to the sound bar.



5. **Download the HEOS App**

Download the HEOS App on your iOS or Android Device.



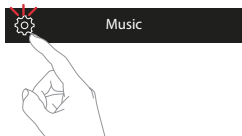
6. **Open the HEOS App**

Once download is complete, open the HEOS App on your iOS or Android Device.



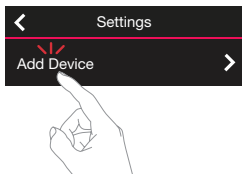
7.

Tap Settings Icon



8.

Tap "Add Device" in the Settings Screen



Follow instructions in App to complete the setup and configuration of Studio 3D Mini.

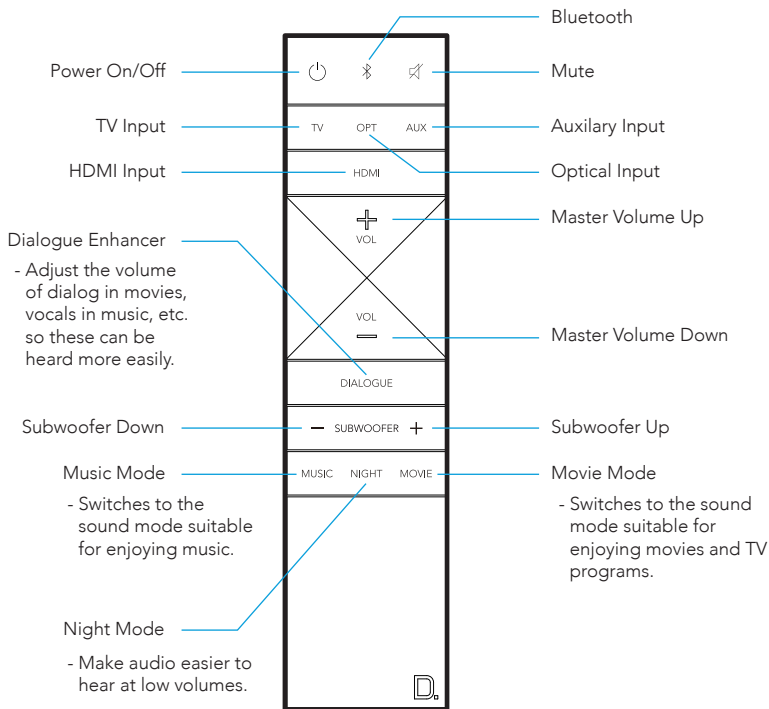
Owner's Manual

For more information, visit <https://www.definitivetechology.com/>. Refer to the Online Manual for other functions information and operation procedure details.

manuals.definitivetechology.com/Studio3Dmini/NA/EN/

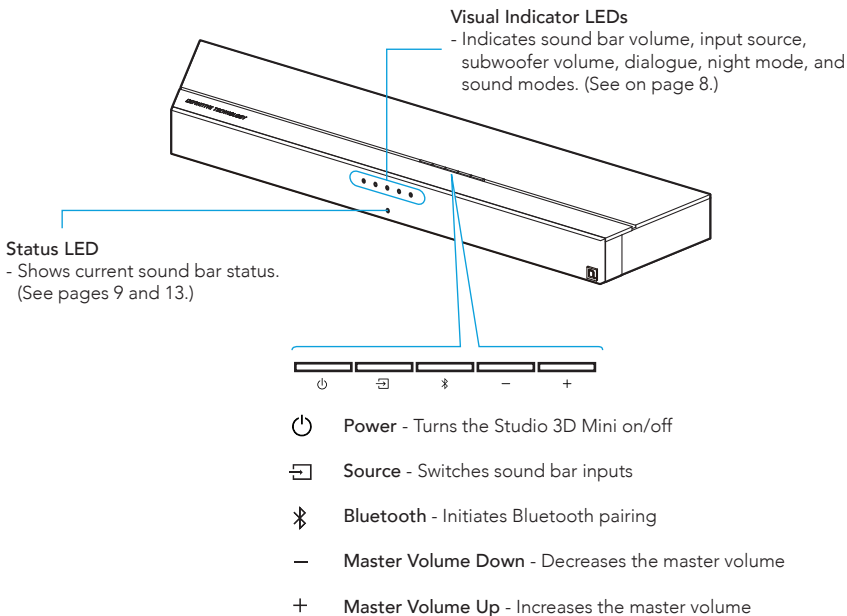


Remote Control

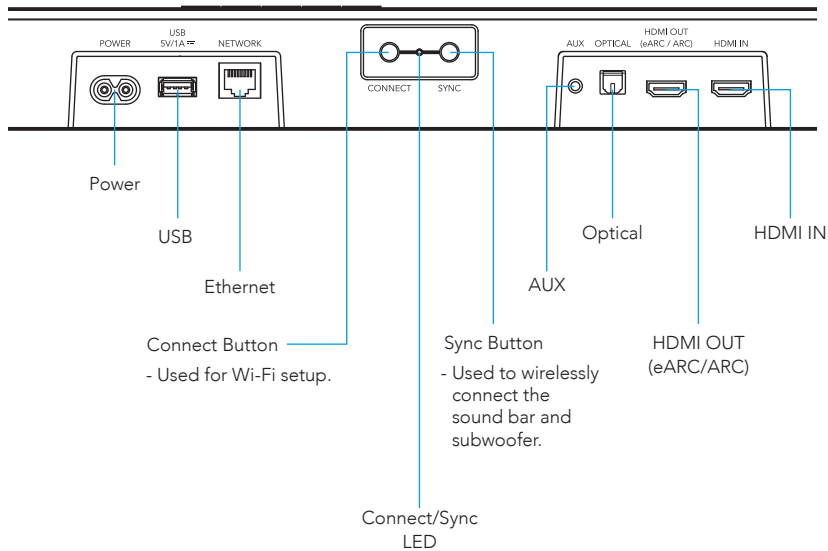


Sound Bar Controls

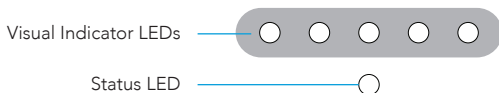
Front of Studio 3D Mini



Back of Studio 3D Mini



Sound Bar Indicators and Status Lights



Source Indication

Below is a table showing the source indicators.

TV	
HDMI	
OPTICAL	
AUX	
BLUETOOTH	
HEOS	

Several source colors indicate the audio bitstream for non-streaming inputs.

○ PCM CONTENT

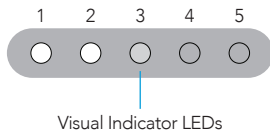
● DOLBY SIGNAL

● DTS SIGNAL

NOTE: "TV" Input is set as HDMI OUT (eARC / ARC) by default, but the input source is configurable by going to the "TV Input" setting in the "My Devices" menu within the HEOS App.

Volume Indication

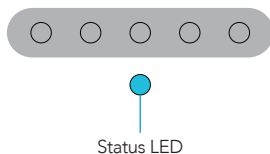
Master Volume will be communicated with the five LEDs in the row of Visual Indicators LEDs. Volume of 1% will be indicated by the leftmost LED as dimly lit, and 100% will be indicated with all 5 Visual Indicator LEDs fully illuminated.



Visual indicator LEDs will illuminate purple when NIGHT MODE is active.

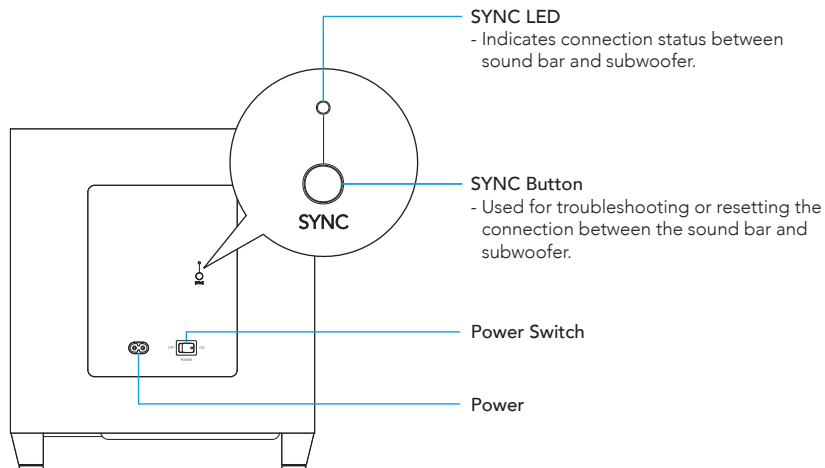


Mute will be indicated by the Status light. Volume mute when Status LED is Blue and slowly blinking.



Subwoofer Back Panel & Visual LED Indicators

Back Panel of Subwoofer



Streaming Music from Your Device

STREAMING MUSIC FROM YOUR MOBILE DEVICE USING BLUETOOTH

1. Activate the Bluetooth setting on your mobile device.
2. Press and hold the Bluetooth Button (⌘) located on the remote control or on the top panel of the sound bar until the status light on the front flashes green.
3. Select "Studio 3D Mini" from the list of available Bluetooth speakers from your mobile device.
4. Play music using any app on your device and the sound will now play from the speaker.

STREAMING MUSIC FROM YOUR DEVICE USING APPLE AIRPLAY

1. Play music from your favorite app.
2. "Swipe up" to open iOS Control Center.
3. Tap the AirPlay icon from the "Now Playing" panel.
4. Choose "Studio 3D Mini" from device list in AirPlay.
5. Enjoy your music.

NOTE: Using Apple AirPlay requires your sound bar to be connected to Wi-Fi. To connect your sound bar to your local network, follow instructions in the HEOS App to complete the setup and configuration of Studio 3D Mini. (See on page 3.)

Basic Troubleshooting

MY SOUND BAR WON'T CONNECT TO MY NETWORK

- Make sure your mobile device is connected to your wireless network before setting up your sound bar.
- Alternatively, you can connect your sound bar to your network router using an Ethernet cable sold separately. Once connected via Ethernet, the HEOS App should recognize the sound bar and you can manually move it to your wireless network using "Settings" - "My Devices" - "(Device Name)" - "Advanced" - "NETWORK SETTINGS".

I DON'T HEAR THE TV SOUND COMING FROM THE SOUND BAR

- Check cable connection between the sound bar and your TV and other devices. Ensure cables are fully connected and connected to the right ports.
- Ensure that TV Speakers are "Off" in your TV settings menu*
- If you are using HDMI eARC/ARC as your connection between your sound bar and your TV, ensure that "ARC" setting is "On" in your TV settings**

* NOTE: "TV Speakers" settings may be labeled as Receiver, or External speakers depending on your make of TV.

** NOTE: Not all TV's have these settings.

- Verify that CEC functions are enabled in your TV settings.
- Check that the connections between your sound bar and your TV are synced with the settings in the HEOS app. To find out the TV input settings, open the HEOS App and navigate to Music View > Settings > My Devices > TV Input
- To update the connection go to Music View > Settings > My Devices > TV Input > Select the Input type that currently connects your sound bar and your TV.

NO SOUND COMING OUT FROM THE SUBWOOFER

- Ensure that your subwoofer is connected to power and switched ON.
- Check the SYNC LED at the back of the subwoofer. Make sure that it is solid green. If it is not green, refer to the online manual for detailed instructions on how to manually reset the connection between the sound bar and subwoofer.

RESETTING YOUR SOUND BAR

- Resetting your sound bar will clear out the wireless network settings, EQ, and name, but retain its current software.
- You will have to use "Settings" - "Add Device" to reconnect the sound bar to your home network before it can be used.
- To reset your sound bar, press and hold both the CONNECT button (located on the back panel of the sound bar) and Bluetooth (⌘) button (located on the top panel of the sound bar) for 5 seconds until the status LED on the front of the sound bar begins to flash amber.

Owner's Manual

For more information, visit <https://www.definitivetechology.com/>.
Refer to the Online Manual for other functions information and operation procedure details.

manuals.definitivetechology.com/Studio3Dmini/NA/EN/



For Further Assistance:

Phone Number

(800) 228-7148 (North America)

+1 (410) 363-7148

Email

definitive@custhelp.com

Mail

Definitive Technology
15541 Fermi Court Carlsbad,
CA 92008 U.S.A

Warranty

This sound bar is covered by a limited warranty.
Details can be found on the Definitive Technology website:
<https://www.definitivetechology.com/warranty-information>

Follow us on



Twitter



Instagram



Facebook

D.

DEFINITIVE TECHNOLOGY

www.definitivetechonology.com

Printed in Vietnam 5411 11892 00AT
© 2020 Sound United. All Rights Reserved.