
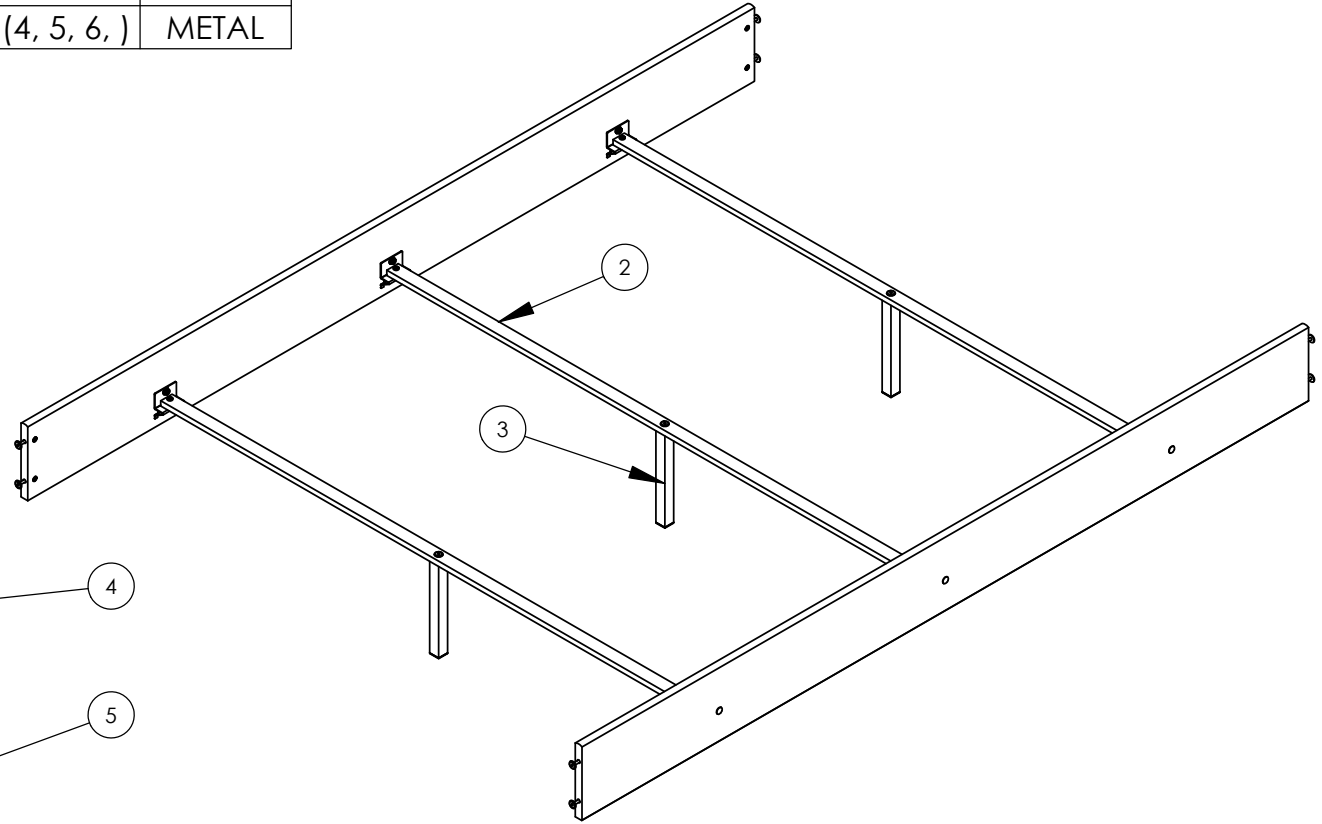


Item#	Qty	Description	MATERIAL
2	3	CROSS SLAT	METAL
3	3	METAL CENTER SUPPORT 229mm	METAL
4	1	CROSS SLAT BOLT PACK	METAL
5	1	HB AND FB BOLT PACK	METAL
6	1	BED RL BRACKET KIT	METAL
7	1	COMPLETE HARDWARE PACK (4, 5, 6,)	METAL

A

Dwg#: 34510			
Scale: 1:10		TOLERANCES ARE: METRIC: +.5 / -.5mm DECIMAL: 0 / -.005" FRACTIONAL: +0 / -1/32" (UNLESS OTHERWISE SPECIFIED)	
Date: 9/8/2014		Desc: Qn Bed Rails (229)	
Rev.	Description	Date	Cad/Eng
A	REMOVED BED RAIL FROM RP LIST	5/13/2019	ETH



4
BOLT PACK
THIS PACK BOLTS CROSS SLATS
TO THE RAILS (BOLTS ONLY)

5
BOLT PACK
THIS PACK BOLTS HEADBOARD &
FOOTBOARD TO THE RAILS
(BOLTS ONLY)

6
BED RAIL BRACKET KIT
THIS PACK HAS ONLY THE
BRACKETS THAT BOLT THE SIDE RAILS
TO THE BED RAILS

7
Hardware
Pack