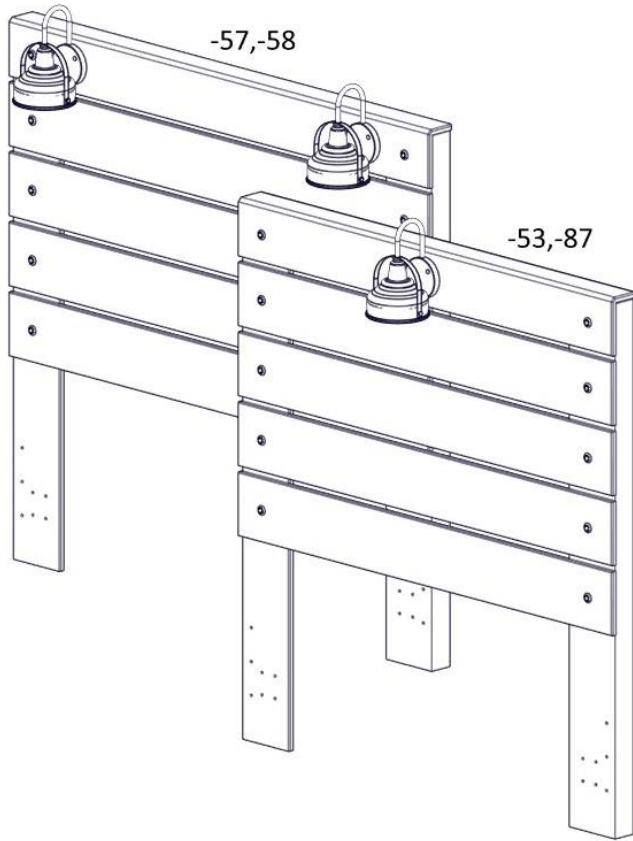
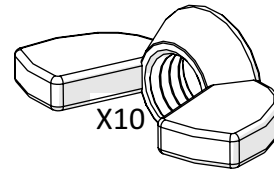
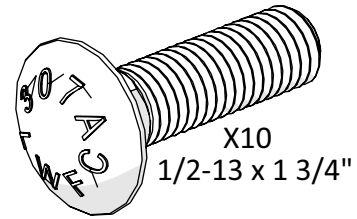
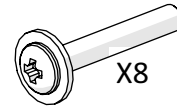


116029 Assembly Instructions

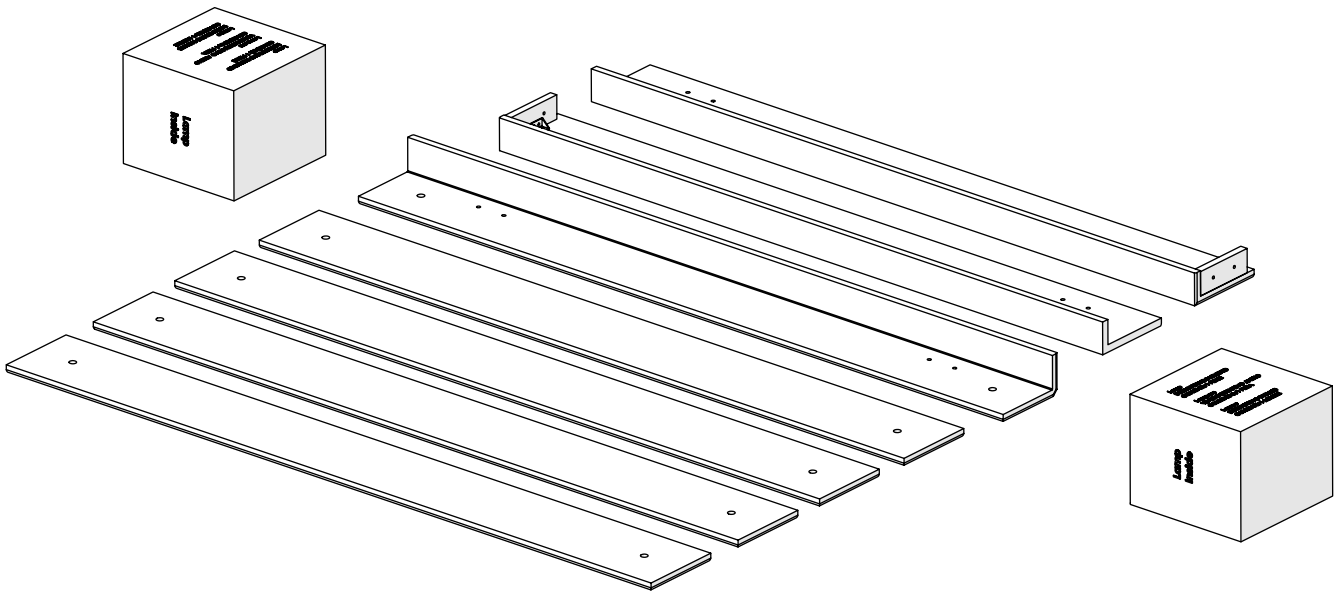


Hardware Components

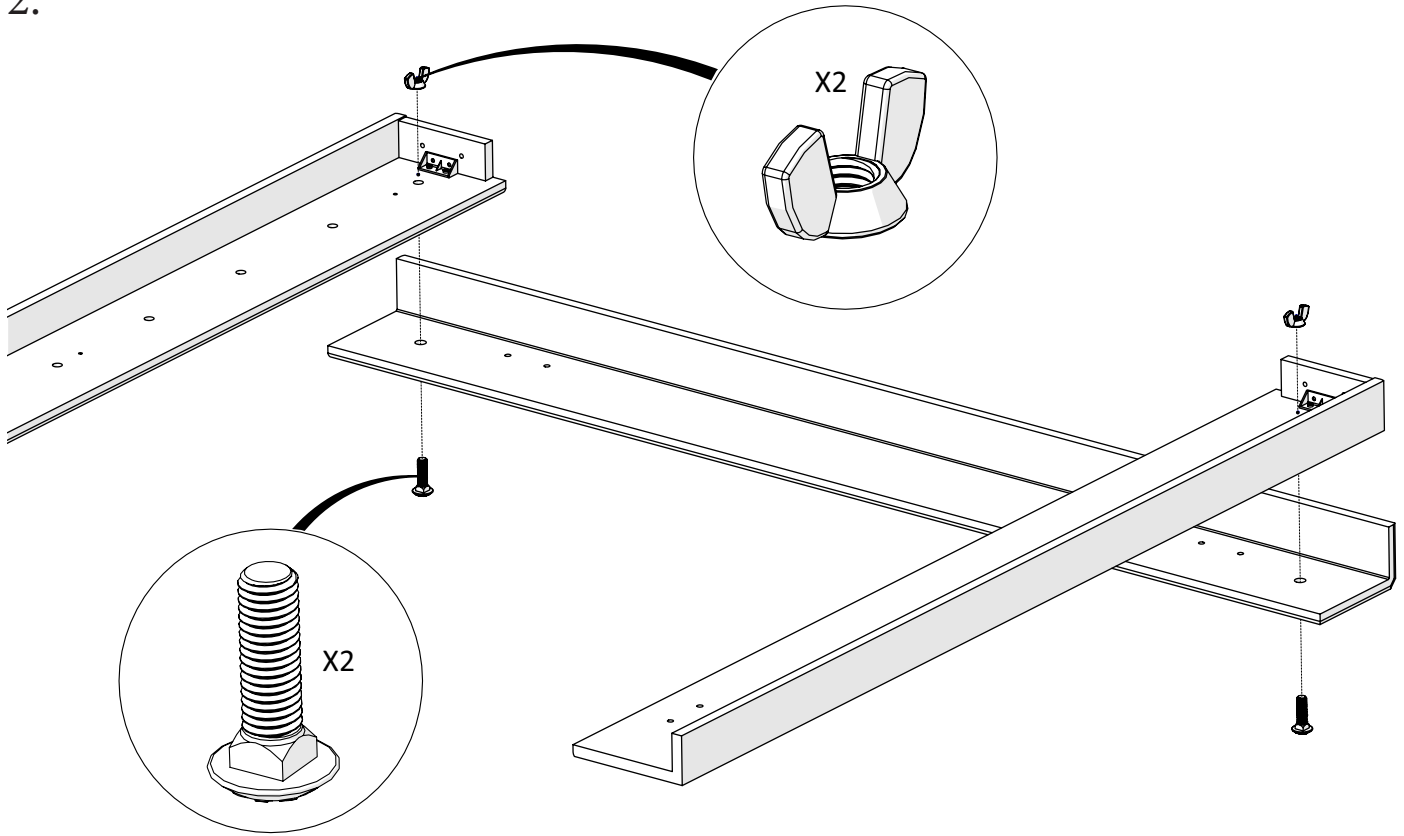
This bag contains small parts that present a choking hazard for children under 3 years of age. These parts are for adult assembly only and should be permanently affixed to the furniture. Any unused parts should be discarded properly.



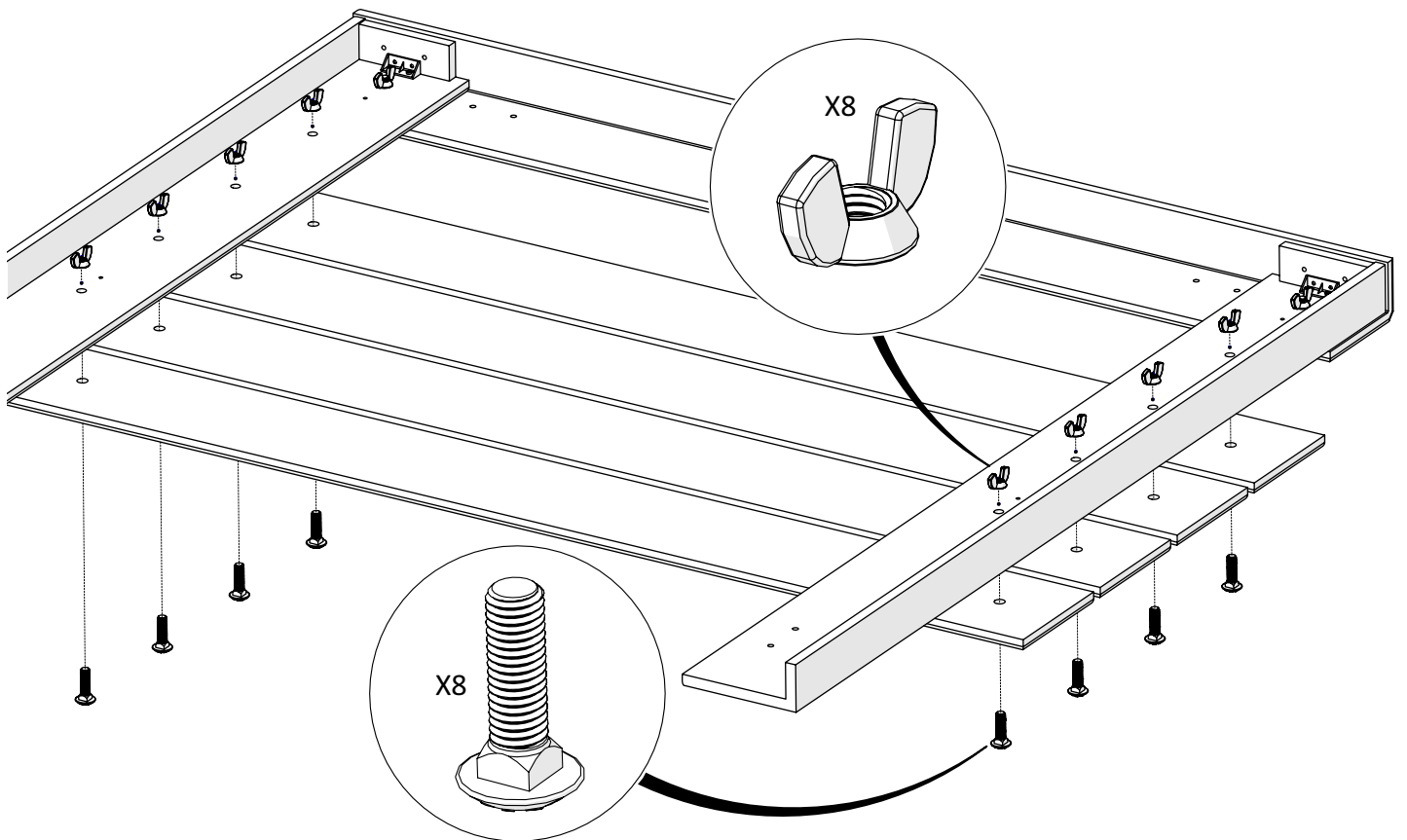
1.



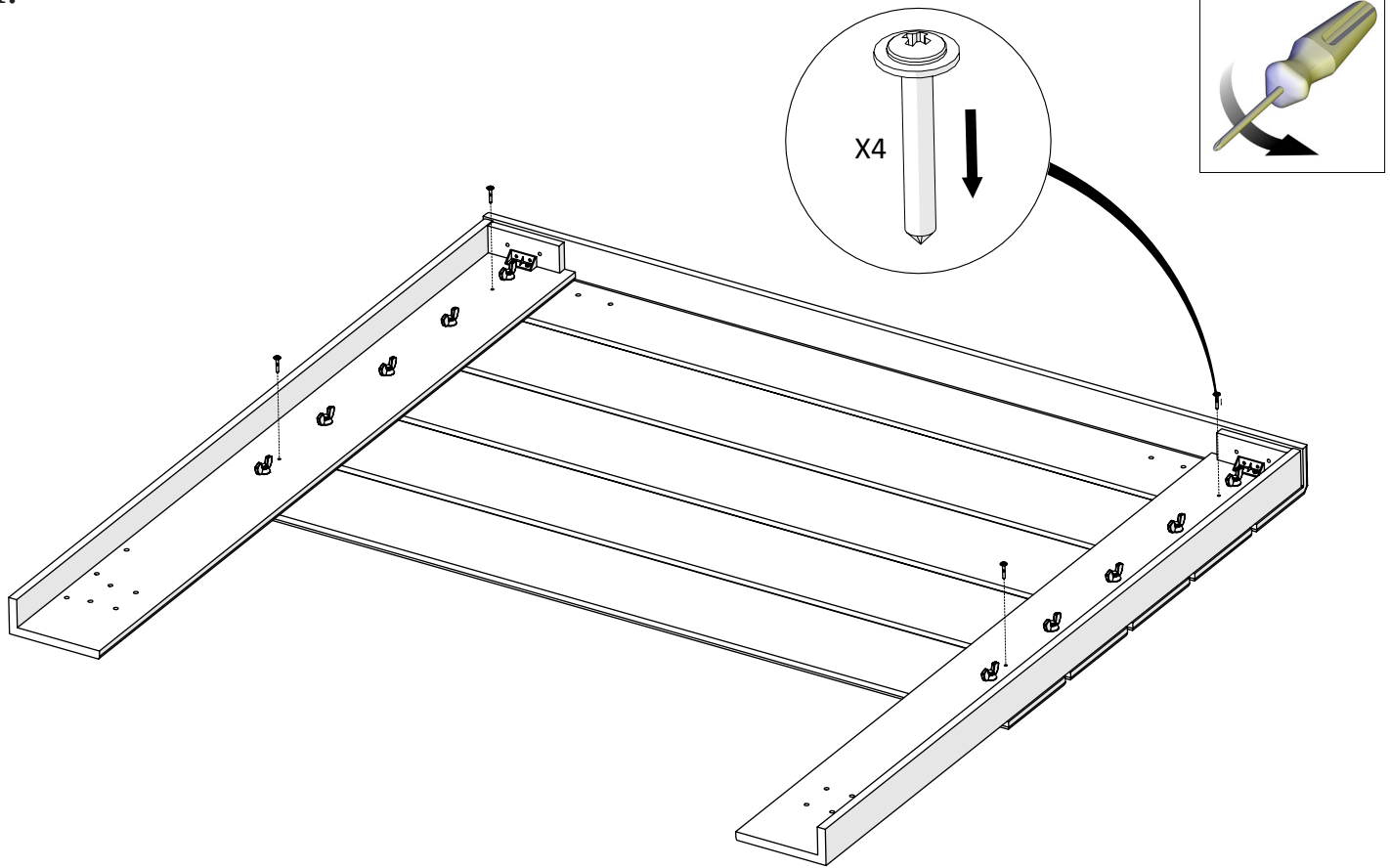
2.



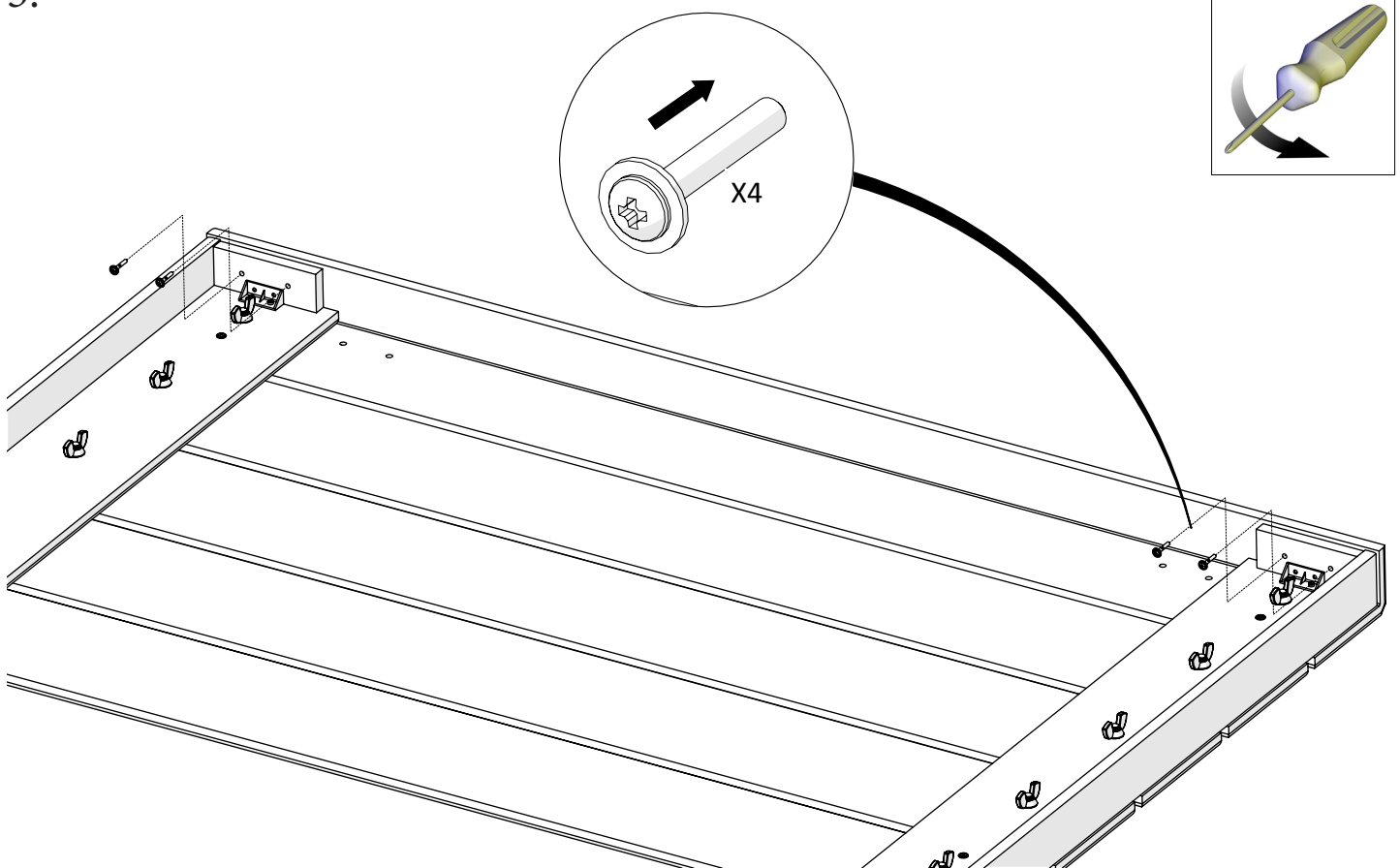
3.



4.



5.



6.

