

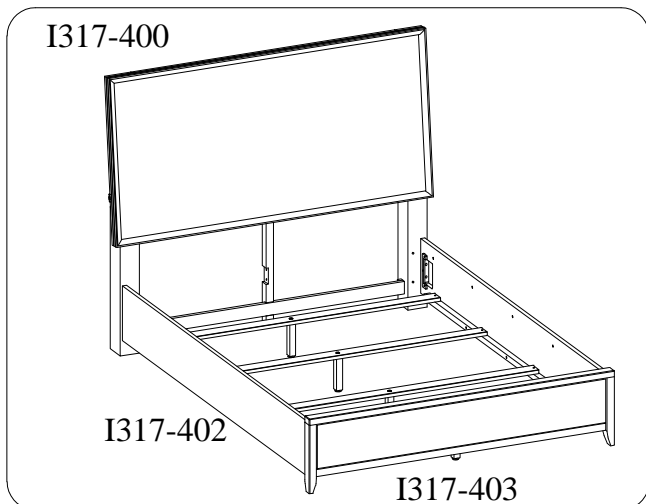


ITEM NO: I317-400 Queen Panel HB
 I317-402 Queen Rails
 I317-403 Queen Low Profile FB

Thank you for purchasing this quality product. Be sure to check all packing material carefully for small parts that may come loose inside the carton during shipment.



UNIT SHOULD BE INSTALLED BY 2 OR MORE PERSONS.



All Beds need to be set up in the exact final location so that after full assembly it will not need to be moved. Moving the bed will cause the support legs to move out of perpendicular (90 degree), weaken the support system, and may allow the bed to collapse.

| |
|-------------------------------|
| TOOLS REQUIRED (NOT PROVIDED) |
| PHILLIPS SCREWDRIVER |

HARDWARE LIST: I317-400

| No. | Description | Sketch | Quantity |
|-----|---------------------------|--------|----------|
| A | Bolt Ø5/16" x 1-9/16" | | 6 PCS |
| B | Bolt Ø5/16" x 2-3/16" | | 8 PCS |
| C | Lock Washer Ø5/16" | | 14 PCS |
| D | Flat Washer Ø5/16" x 3/4" | | 14 PCS |
| E | Allen Wrench 5mm | | 1 PC |

COMPONENTS LIST: I317-400

| No. | Description | Sketch | Quantity |
|-----|--------------------|--------|----------|
| 1 | Headboard | | 1 PC |
| 2 | Left leg | | 1 PC |
| 3 | Right leg | | 1 PC |
| 4 | Wood stretcher | | 1 PC |
| 5 | Center support leg | | 1 PC |

HARDWARE LIST: I317-402

| No. | Description | Sketch | Quantity |
|-----|-----------------------------|--------|----------|
| F | Hanger Bolt Ø5/16" x 3-1/8" | | 8 PCS |
| G | Lock Washer Ø5/16" | | 8 PCS |
| H | Flat Washer Ø5/16" x 5/8" | | 8 PCS |
| I | Hex Nut Ø5/16" | | 8 PCS |
| J | Hex Wrench | | 1 PC |
| K | Wood Screw M4 x 1-3/16" | | 8 PCS |

COMPONENTS LIST: I317-402

| No. | Description | Sketch | Quantity |
|-----|-------------|--------|----------|
| 1 | Bed rails | | 2 PCS |
| 2 | Slats | | 4 PCS |

COMPONENTS LIST: I317-403

| No. | Description | Sketch | Quantity |
|-----|-------------------------|--------|----------|
| 1 | Footboard | | 1 PC |
| 2 | Support Leg (for slats) | | 4 PCS |

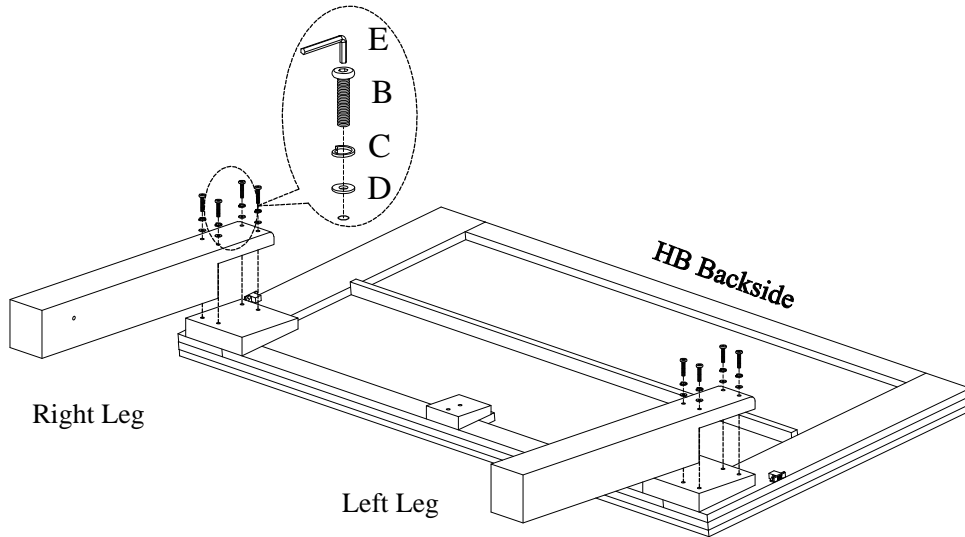
BEFORE USING THIS PRODUCT PLEASE READ, UNDERSTAND, AND FOLLOW THESE INSTRUCTIONS. Save these instructions for future reference.

FOR INDOOR USE ONLY

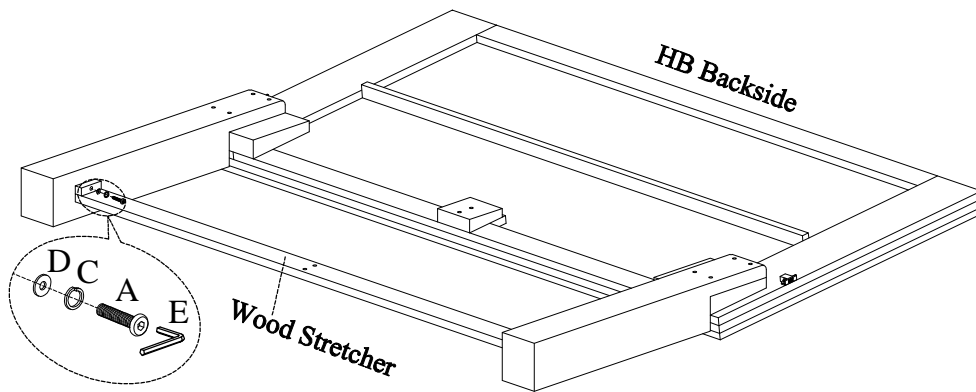


ITEM NO: I317-400 Queen Panel HB
 I317-402 Queen Rails
 I317-403 Queen Low Profile FB

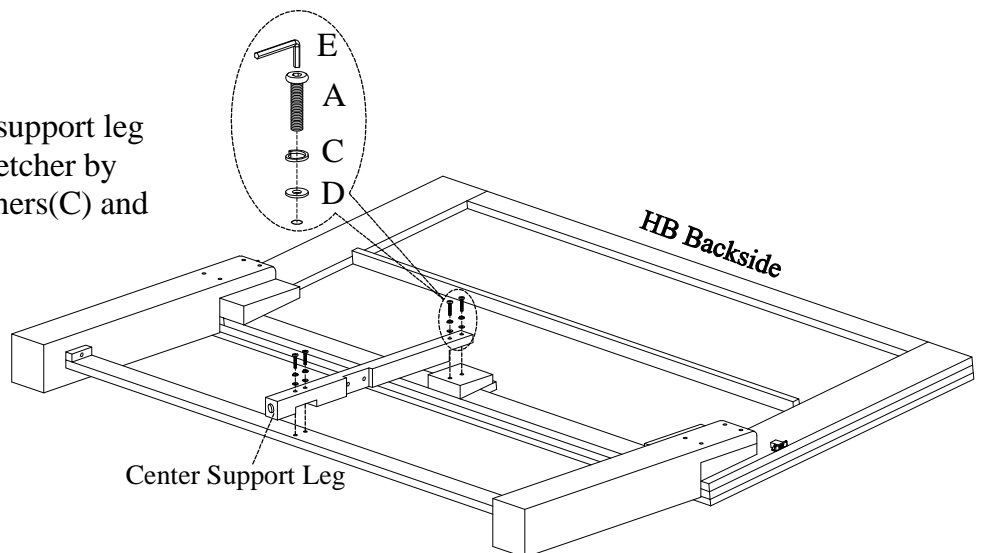
STEP 1: Lay the headboard face down on a soft surface. Attach the left leg and right leg to headboard by using 8 bolts(B), lock washers(C) and flat washers(D).

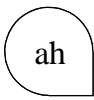


STEP 2: Attach the wood stretcher to the legs by using 2 bolts(A), lock washers(C) and flat washers(D).



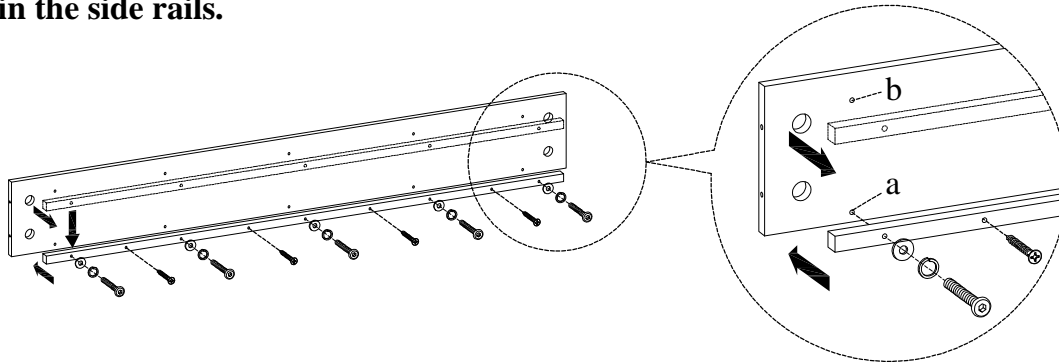
STEP 3: Attach the center support leg to headboard and wood stretcher by using 4 bolts(A), lock washers(C) and flat washers(D).



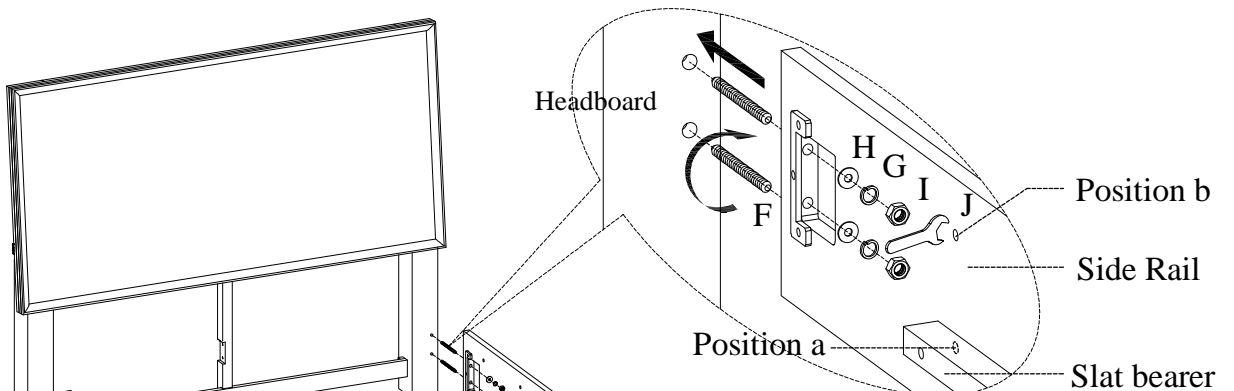


ITEM NO: I317-400 Queen Panel HB
 I317-402 Queen Rails
 I317-403 Queen Low Profile FB

STEP 4: The slat bearers have been attached in position (b) approximately 2" from the top of the side rails for use with a storage footboard. The slat bearers must be moved into position (a) based on this bed configuration. Remove the bolts and screws from the slat bearers and side rails as shown below. Then re-attach the slat bearers to the side rails in position (a) with bolts, lock washers, flat washers, and screws. **Caution: Do not over tighten bolts as this may loosen the threaded inserts in the side rails.**

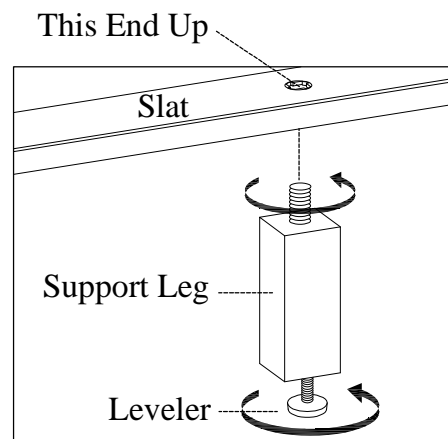


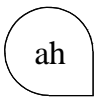
STEP 5: Screw the bolts(F) into HB & FB. Make sure the slat bearer is in the position (a). Align the bolts with the holes in the end of side rails and attach the side rails to HB & FB using flat washers(H), lock washers(G) and hex nuts (I). Then use a hex wrench to tighten all the nuts.



Make sure the slat bearer is in the position (a).

STEP 6: Attach the support legs with levelers to the slats. Adjust the levelers on bottom of support legs when necessary.

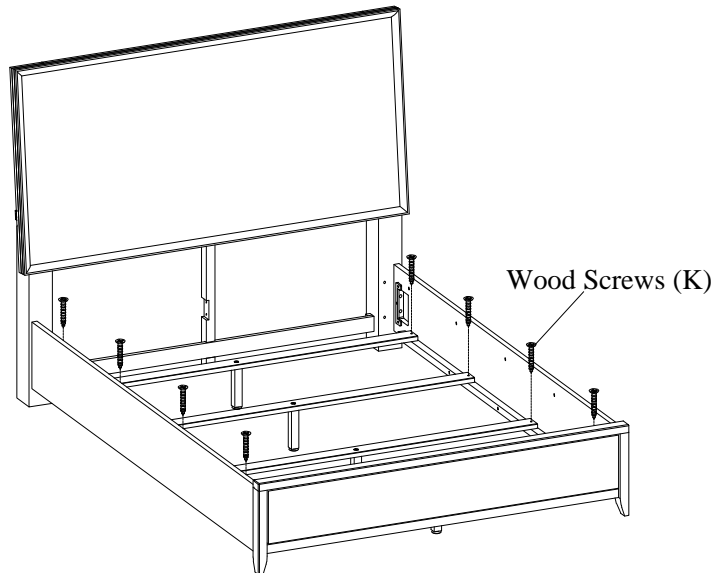




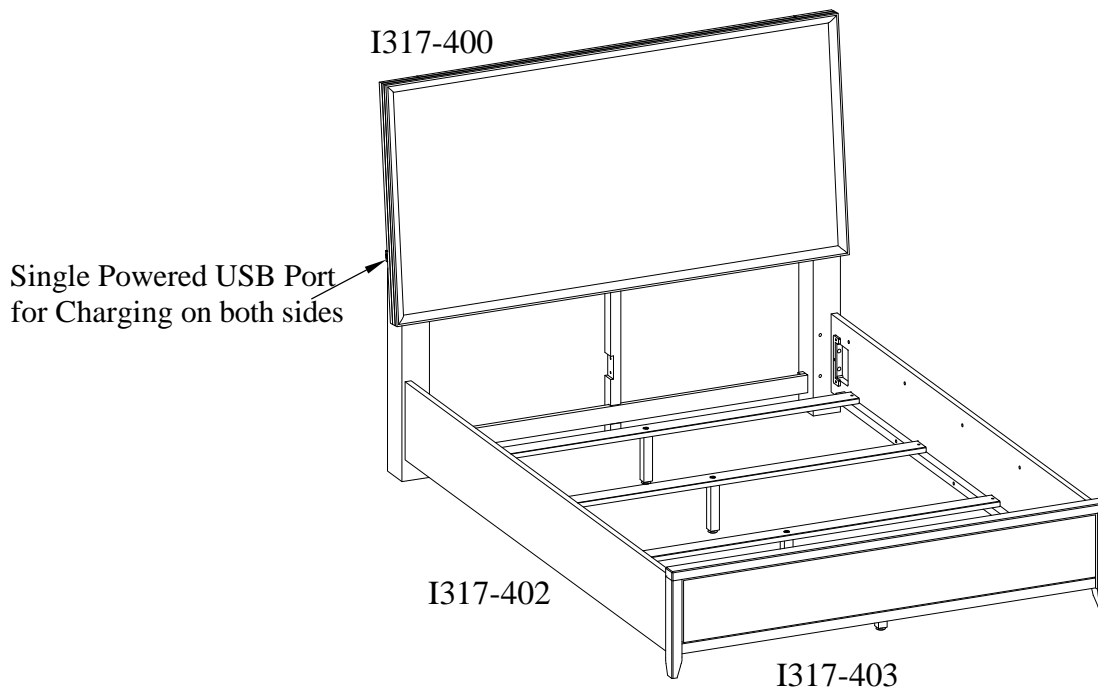
ITEM NO: I317-400
I317-402
I317-403

Queen Panel HB
Queen Rails
Queen Low Profile FB

STEP 7: Arrange the slats on the slat bearers equally and attach to the slat bearers with wood screws (K).



FUNCTIONALITY INSTRUCTION



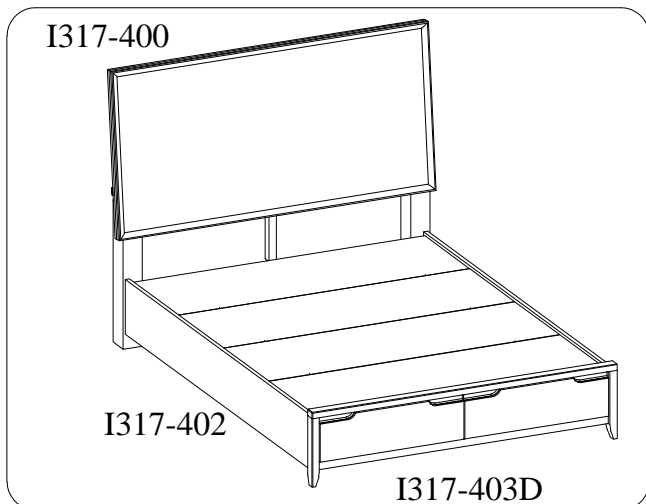


ITEM NO: I317-400 Queen Panel HB
 I317-402 Queen Rails
 I317-403D Queen Storage FB

Thank you for purchasing this quality product. Be sure to check all packing material carefully for small parts that may come loose inside the carton during shipment.



UNIT SHOULD BE INSTALLED BY 2 OR MORE PERSONS.



All Beds need to be set up in the exact final location so that after full assembly it will not need to be moved. Moving the bed will cause the support legs to move out of perpendicular (90 degree), weaken the support system, and may allow the bed to collapse.

| |
|-------------------------------|
| TOOLS REQUIRED (NOT PROVIDED) |
| PHILLIPS SCREWDRIVER |

HARDWARE LIST: I317-400

| No. | Description | Sketch | Quantity |
|-----|---------------------------|--------|----------|
| A | Bolt Ø5/16" x 1-9/16" | | 6 PCS |
| B | Bolt Ø5/16" x 2-3/16" | | 8 PCS |
| C | Lock Washer Ø5/16" | | 14 PCS |
| D | Flat Washer Ø5/16" x 3/4" | | 14 PCS |
| E | Allen Wrench 5mm | | 1 PC |

HARDWARE LIST: I317-402

| No. | Description | Sketch | Quantity |
|-----|-----------------------------|--------|----------|
| F | Hanger Bolt Ø5/16" x 3-1/8" | | 8 PCS |
| G | Lock Washer Ø5/16" | | 8 PCS |
| H | Flat Washer Ø5/16" x 5/8" | | 8 PCS |
| I | Hex Nut Ø5/16" | | 8 PCS |
| J | Hex Wrench | | 1 PC |
| K | Wood Screw M4 x 1-3/16" | | 8 PCS |

HARDWARE LIST: I317-403D

| No. | Description | Sketch | Quantity |
|-----|---------------------------|--------|----------|
| L | Bolt Ø5/16" x 1-3/16" | | 8 PCS |
| M | Lock Washer Ø5/16" | | 8 PCS |
| N | Flat Washer Ø5/16" x 3/4" | | 8 PCS |
| O | Allen Wrench 5mm | | 1 PC |
| P | Wood Screw M4 x 1" | | 8 PCS |

COMPONENTS LIST: I317-400

| No. | Description | Sketch | Quantity |
|-----|--------------------|--------|----------|
| 1 | Headboard | | 1 PC |
| 2 | Left leg | | 1 PC |
| 3 | Right leg | | 1 PC |
| 4 | Wood stretcher | | 1 PC |
| 5 | Center support leg | | 1 PC |

COMPONENTS LIST: I317-402

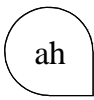
| No. | Description | Sketch | Quantity |
|-----|-------------|--------|----------|
| 1 | Bed rails | | 2 PCS |
| 2 | Slats | | 4 PCS |

COMPONENTS LIST: I317-403D

| No. | Description | Sketch | Quantity |
|-----|-------------------------------|--------|----------|
| 1 | Footboard | | 1 PC |
| 2 | Support leg (for center rail) | | 2 PCS |
| 3 | Support leg (for pedestal) | | 3 PCS |
| 4 | Decking | | 4 PCS |
| 5 | Center rail | | 1 PC |

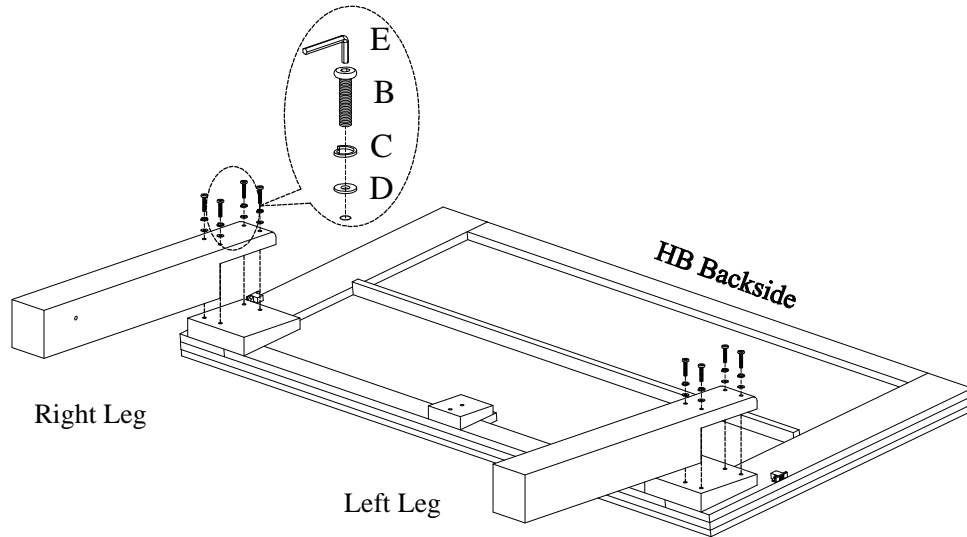
BEFORE USING THIS PRODUCT PLEASE READ, UNDERSTAND, AND FOLLOW THESE INSTRUCTIONS.
 Save these instructions for future reference.

FOR INDOOR USE ONLY

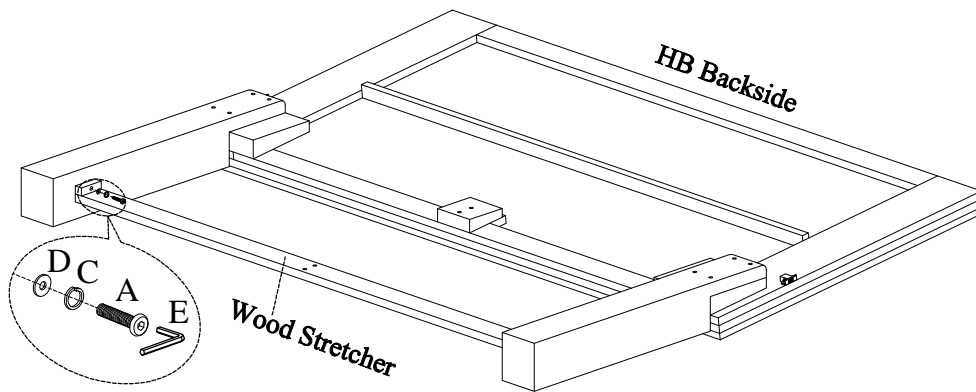


ITEM NO: I317-400 Queen Panel HB
 I317-402 Queen Rails
 I317-403D Queen Storage FB

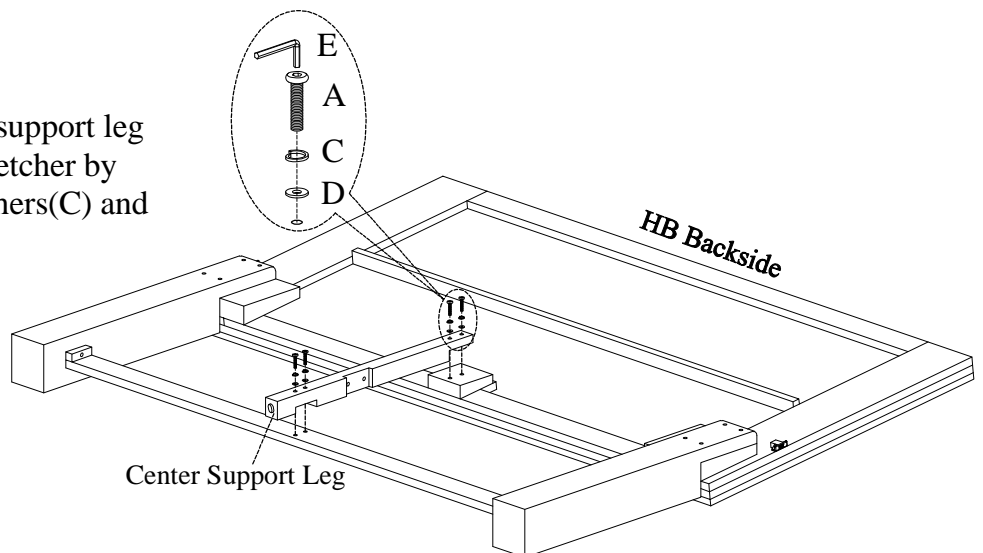
STEP 1: Lay the headboard face down on a soft surface. Attach the left leg and right leg to headboard by using 8 bolts(B), lock washers(C) and flat washers(D).

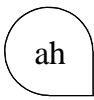


STEP 2: Attach the wood stretcher to the legs by using 2 bolts(A), lock washers(C) and flat washers(D).



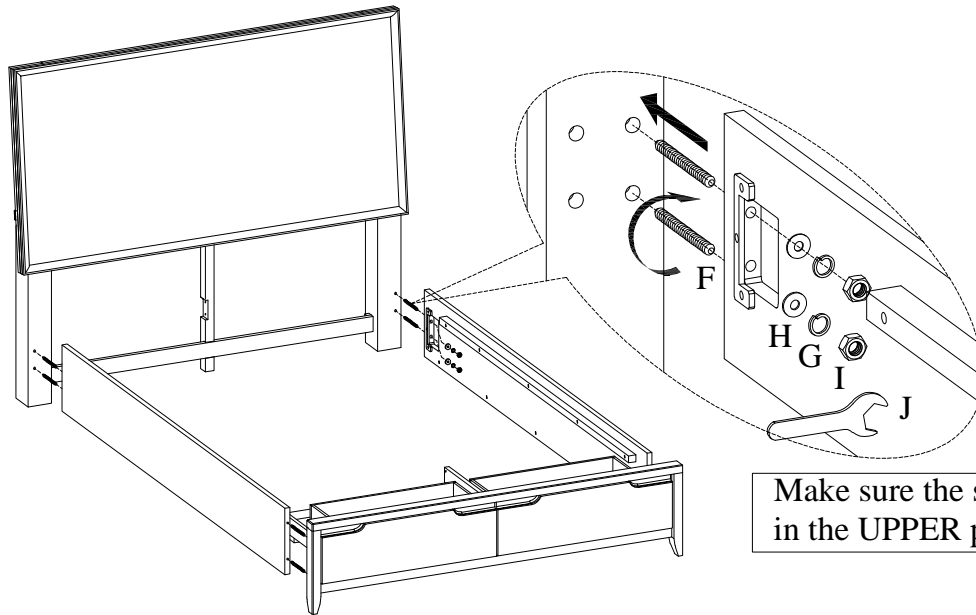
STEP 3: Attach the center support leg to headboard and wood stretcher by using 4 bolts(A), lock washers(C) and flat washers(D).



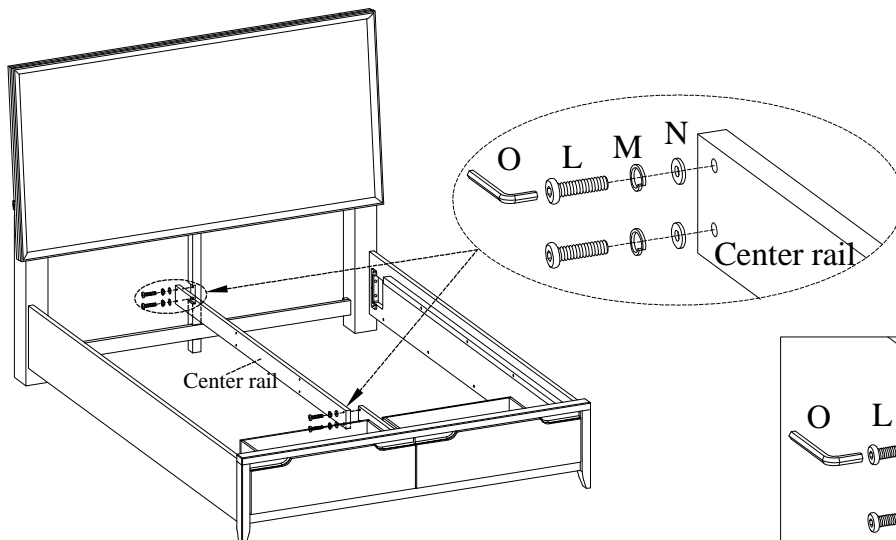


ITEM NO: I317-400 Queen Panel HB
 I317-402 Queen Rails
 I317-403D Queen Storage FB

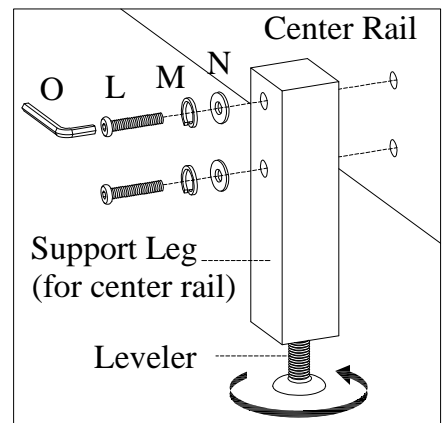
STEP 4: Screw the bolts(F) into HB & FB. Make sure the slat bearer is in the UPPER position. Align the bolts with the holes in the end of side rails and attach the side rails to HB & FB using flat washer(H), lock washers(G) and nuts (I). Then use a hex wrench(J) to tighten all the nuts.

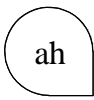


STEP 5: Attach center rail to the footboard and center support leg of headboard using 4 bolts(L), lock washers(M) and flat washers(N).



STEP 6: Attach 2 support legs (for center rail) to the center rail using 4 bolts(L), lock washers(M) and flat washers(N). Use the Allen Wrench (O) to tighten all of the bolts.

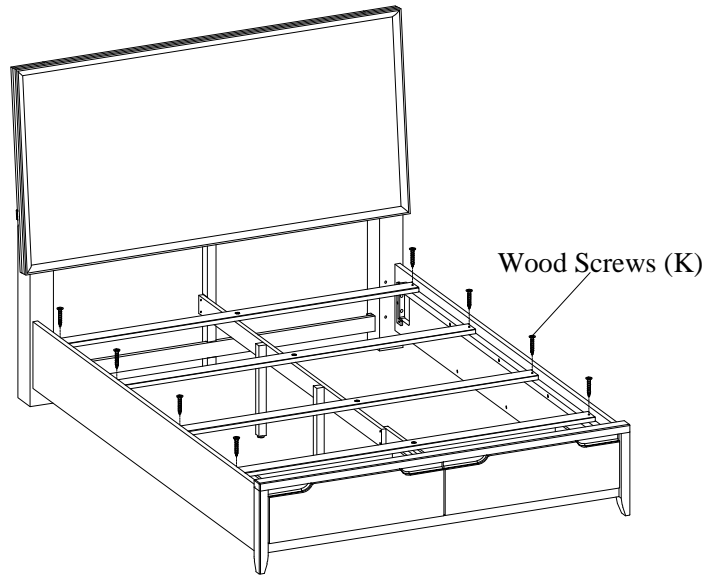




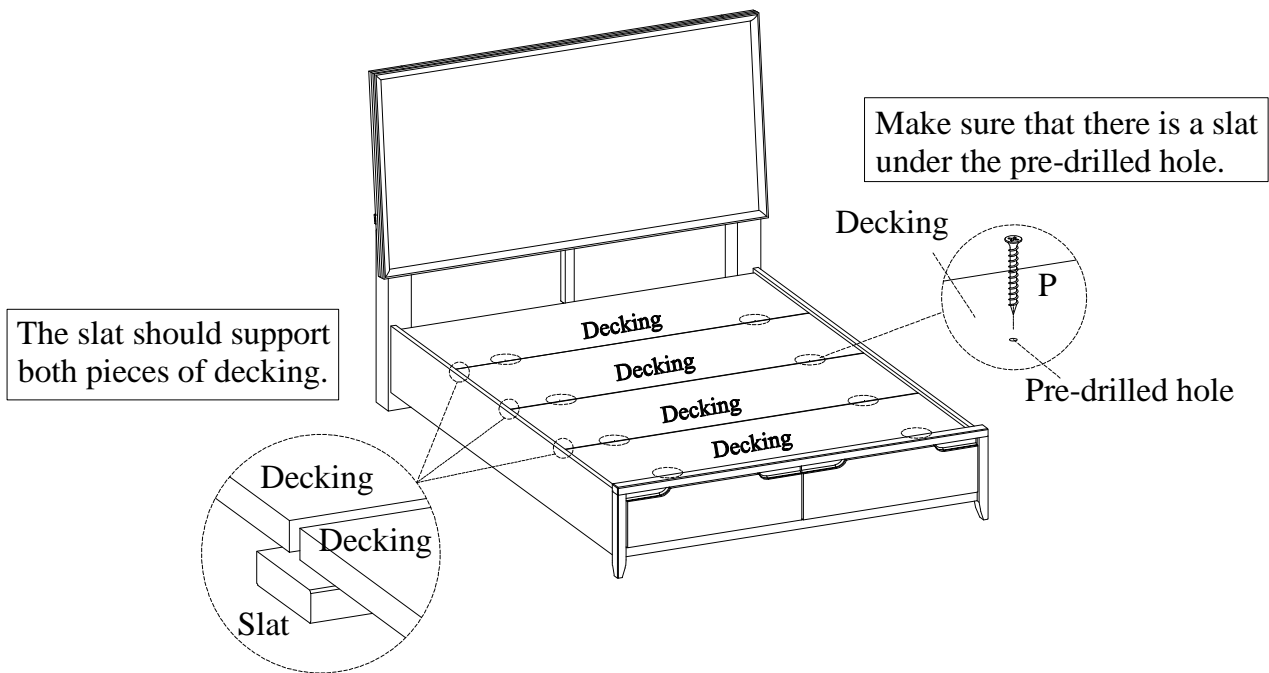
ITEM NO: I317-400
I317-402
I317-403D

Queen Panel HB
Queen Rails
Queen Storage FB

STEP 7: Arrange slats on the slat bearers and then lay decking on top of the slats. Make sure the slats are positioned along the seams of the decking as shown in the detail in STEP 8 under the pre-drilled hole. Remove the decking and attach slats to the slat bearers with wood screws (K).



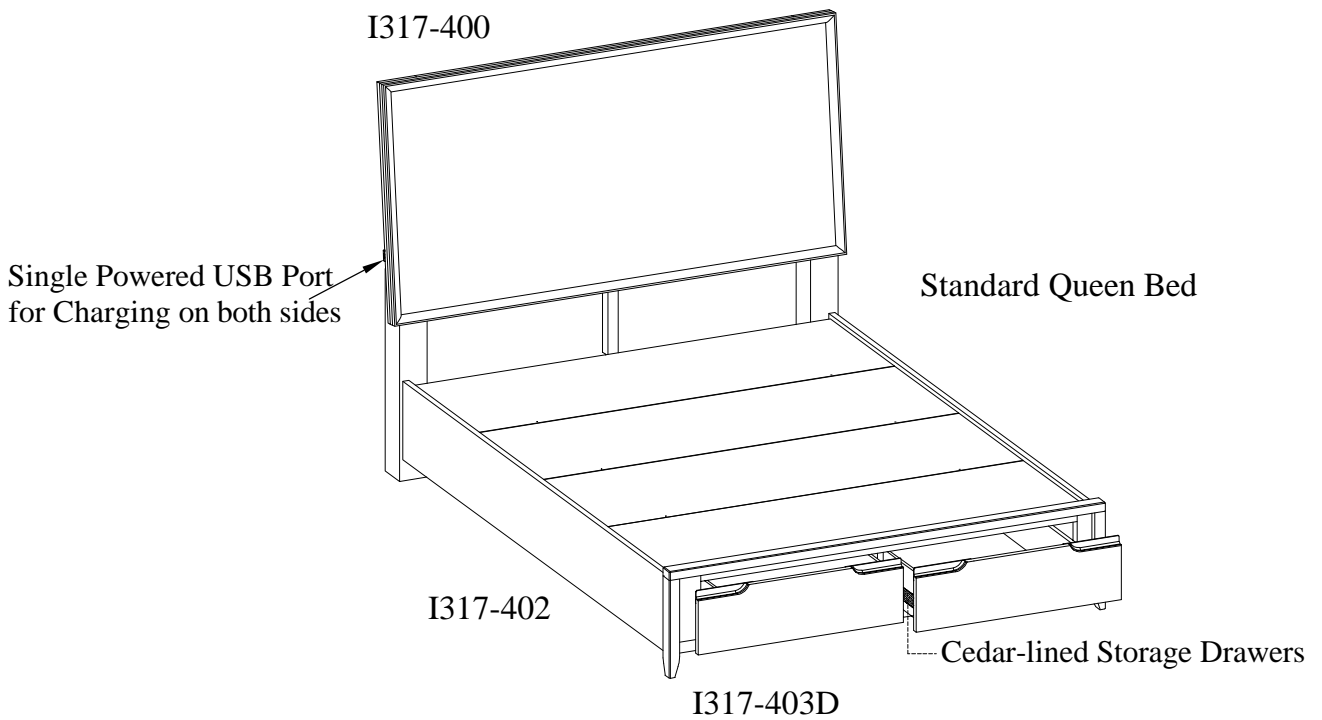
STEP 8: Put the decking over the slats, secure decking to the slats with wood screws (P) through the pre-drilled holes in the decking as shown below.





ITEM NO: I317-400 Queen Panel HB
I317-402 Queen Rails
I317-403D Queen Storage FB

FUNCTIONALITY INSTRUCTION



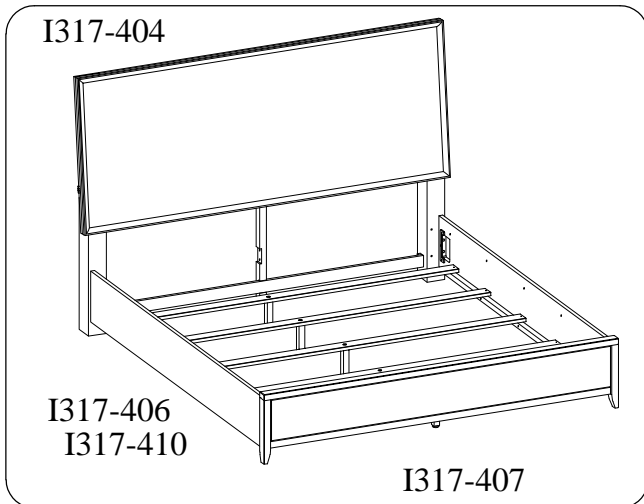


- ITEM NO: I317-404 King Panel HB
 I317-406 King Rails
 I317-410 Cal King Rails
 I317-407 King Low Profile FB

Thank you for purchasing this quality product. Be sure to check all packing material carefully for small parts that may come loose inside the carton during shipment.



UNIT SHOULD BE INSTALLED BY 2 OR MORE PERSONS.



All Beds need to be set up in the exact final location so that after full assembly it will not need to be moved. Moving the bed will cause the support legs to move out of perpendicular (90 degree), weaken the support system, and may allow the bed to collapse.

| |
|-------------------------------|
| TOOLS REQUIRED (NOT PROVIDED) |
| PHILLIPS SCREWDRIVER |

| HARDWARE LIST: I317-404 | | | |
|-------------------------|---------------------------|--------|----------|
| No. | Description | Sketch | Quantity |
| A | Bolt Ø5/16" x 1-9/16" | | 6 PCS |
| B | Bolt Ø5/16" x 2-3/16" | | 8 PCS |
| C | Lock Washer Ø5/16" | | 14 PCS |
| D | Flat Washer Ø5/16" x 3/4" | | 14 PCS |
| E | Allen Wrench 5mm | | 1 PC |

| COMPONENTS LIST: I317-404 | | | |
|---------------------------|--------------------|--------|----------|
| No. | Description | Sketch | Quantity |
| 1 | Headboard | | 1 PC |
| 2 | Left leg | | 1 PC |
| 3 | Right leg | | 1 PC |
| 4 | Wood stretcher | | 1 PC |
| 5 | Center support leg | | 1 PC |

| HARDWARE LIST: I317-406/410 | | | |
|-----------------------------|-----------------------------|--------|----------|
| No. | Description | Sketch | Quantity |
| F | Hanger Bolt Ø5/16" x 3-1/8" | | 8 PCS |
| G | Lock Washer Ø5/16" | | 8 PCS |
| H | Flat Washer Ø5/16" x 5/8" | | 8 PCS |
| I | Hex Nut Ø5/16" | | 8 PCS |
| J | Hex Wrench | | 1 PC |
| K | Wood Screw M4 x 1-3/16" | | 10 PCS |
| L | Wood Cap (only for 410) | | 8 PCS |

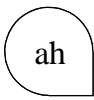
| COMPONENTS LIST: I317-406 | | | |
|---------------------------|-------------|--------|----------|
| No. | Description | Sketch | Quantity |
| 1 | Bed rails | | 2 PCS |
| 2 | Slats | | 5 PCS |

| COMPONENTS LIST: I317-410 | | | |
|---------------------------|--------------------|--------|----------|
| No. | Description | Sketch | Quantity |
| 1 | Bed rails | | 2 PCS |
| 2 | Slats | | 5 PCS |
| 3 | Center rail (Long) | | 1 PC |

| COMPONENTS LIST: I317-407 | | | |
|---------------------------|-------------------------|--------|----------|
| No. | Description | Sketch | Quantity |
| 1 | Footboard | | 1 PC |
| 2 | Support Leg (for slats) | | 5 PCS |

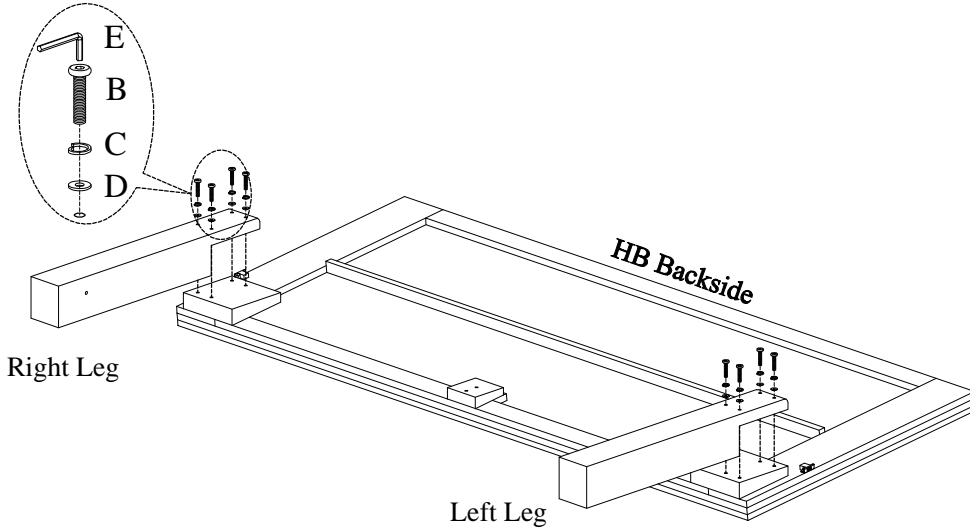
BEFORE USING THIS PRODUCT PLEASE READ, UNDERSTAND, AND FOLLOW THESE INSTRUCTIONS. Save these instructions for future reference.

FOR INDOOR USE ONLY

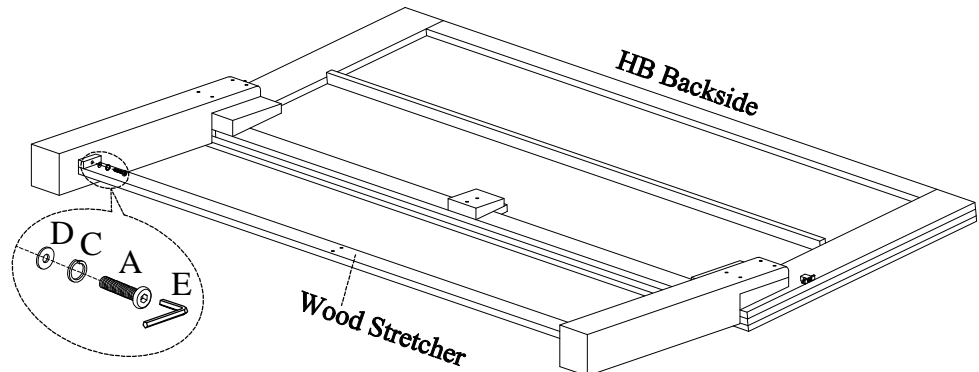


- ITEM NO: I317-404 King Panel HB
I317-406 King Rails
I317-410 Cal King Rails
I317-407 King Low Profile FB

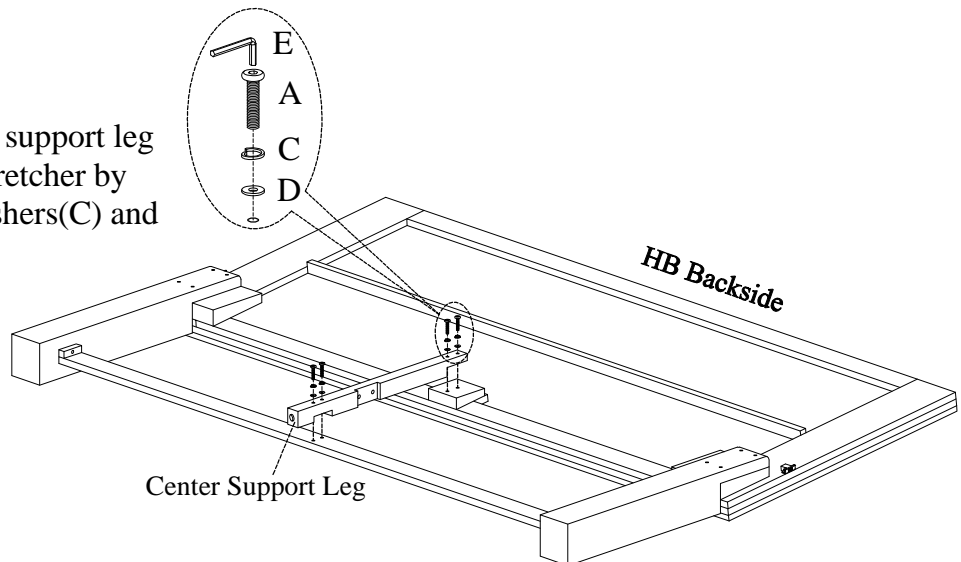
STEP 1: Lay the headboard face down on a soft surface. Attach the left leg and right leg to headboard by using 8 bolts(B), lock washers(C) and flat washers(D).

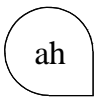


STEP 2: Attach the wood stretcher to the legs by using 2 bolts(A), lock washers(C) and flat washers(D).



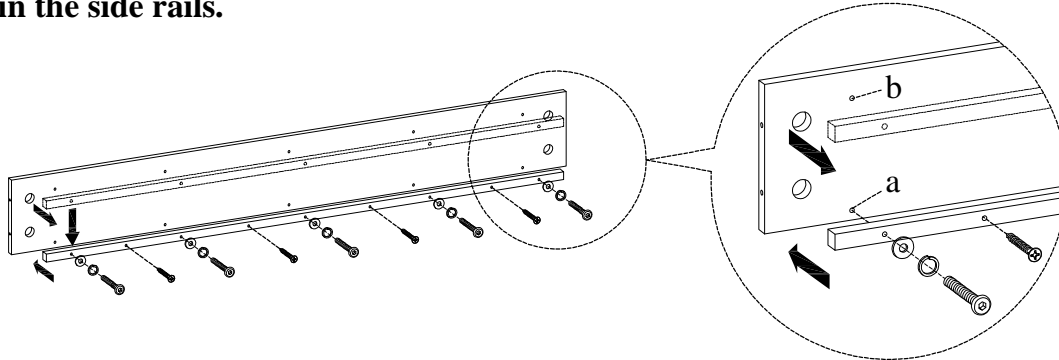
STEP 3: Attach the center support leg to headboard and wood stretcher by using 4 bolts(A), lock washers(C) and flat washers(D).





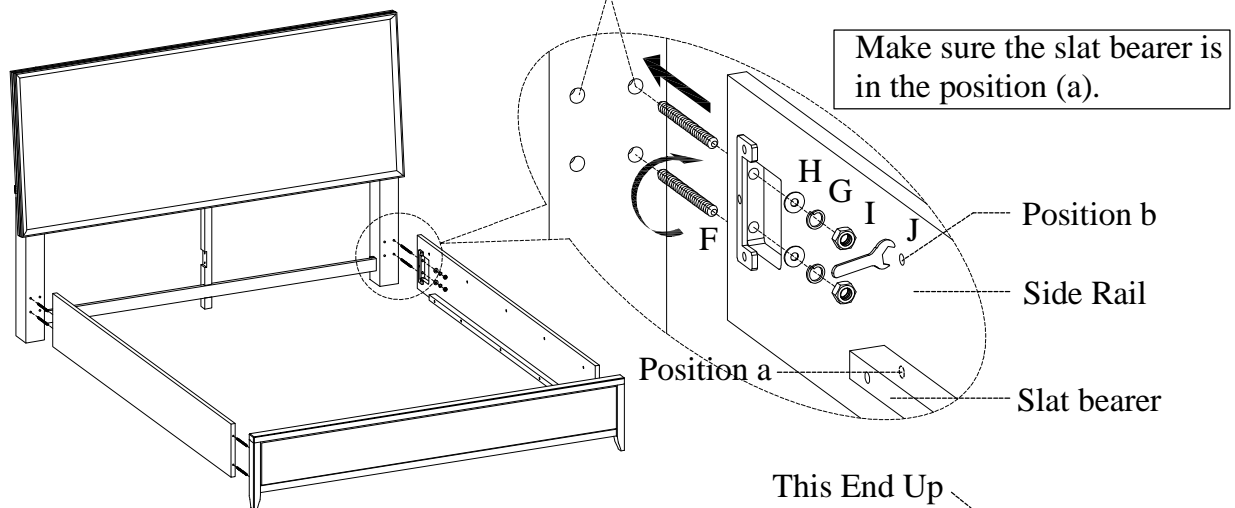
- ITEM NO: I317-404 King Panel HB
- I317-406 King Rails
- I317-410 Cal King Rails
- I317-407 King Low Profile FB

STEP 4: The slat bearers have been attached in position (b) approximately 2" from the top of the side rails for use with a storage footboard. The slat bearers must be moved into position (a) based on this bed configuration. Remove the bolts and screws from the slat bearers and side rails as shown below. Then re-attach the slat bearers to the side rails in position (a) with bolts, lock washers, flat washers, and screws. **Caution: Do not over tighten bolts as this may loosen the threaded inserts in the side rails.**

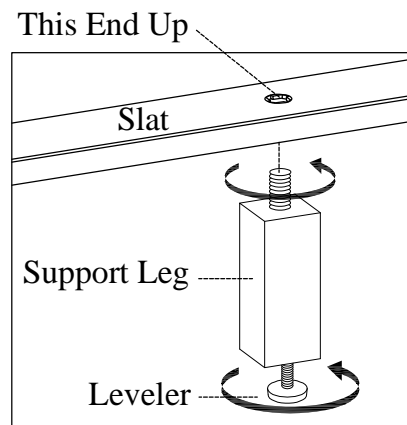


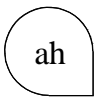
STEP 5: Screw the bolts(F) into HB & FB. Make sure the slat bearer is in the position (a). Align the bolts with the holes in the end of side rails and attach the side rails to HB & FB using flat washers(H), lock washers(G) and hex nuts (I). Then use a hex wrench to tighten all the nuts.

The outside holes match to 6/6 standard king rails, the inside holes match to 6/0 Cal king bed rails.



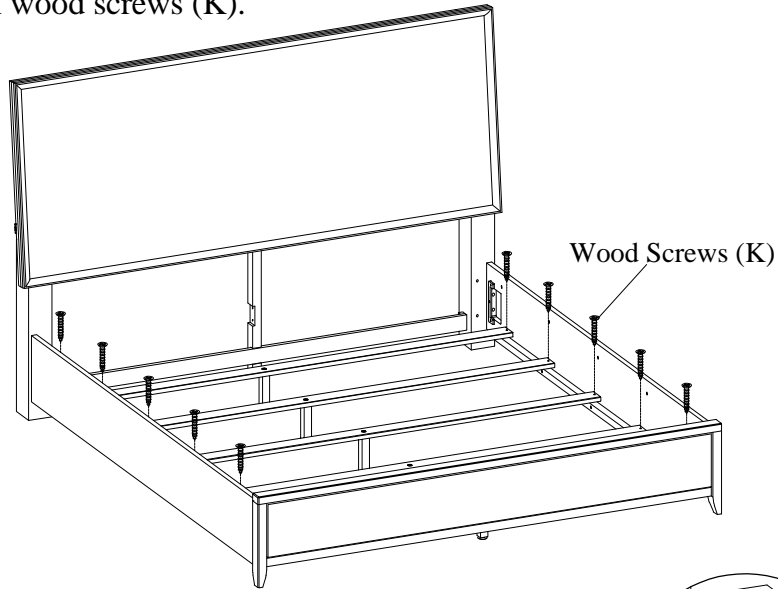
STEP 6: Attach the support legs with levelers to the slats. Adjust the levelers on bottom of support legs when necessary.



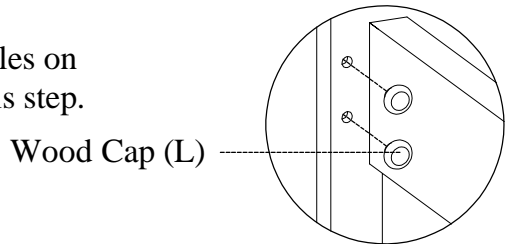


- ITEM NO: I317-404 King Panel HB
- I317-406 King Rails
- I317-410 Cal King Rails
- I317-407 King Low Profile FB

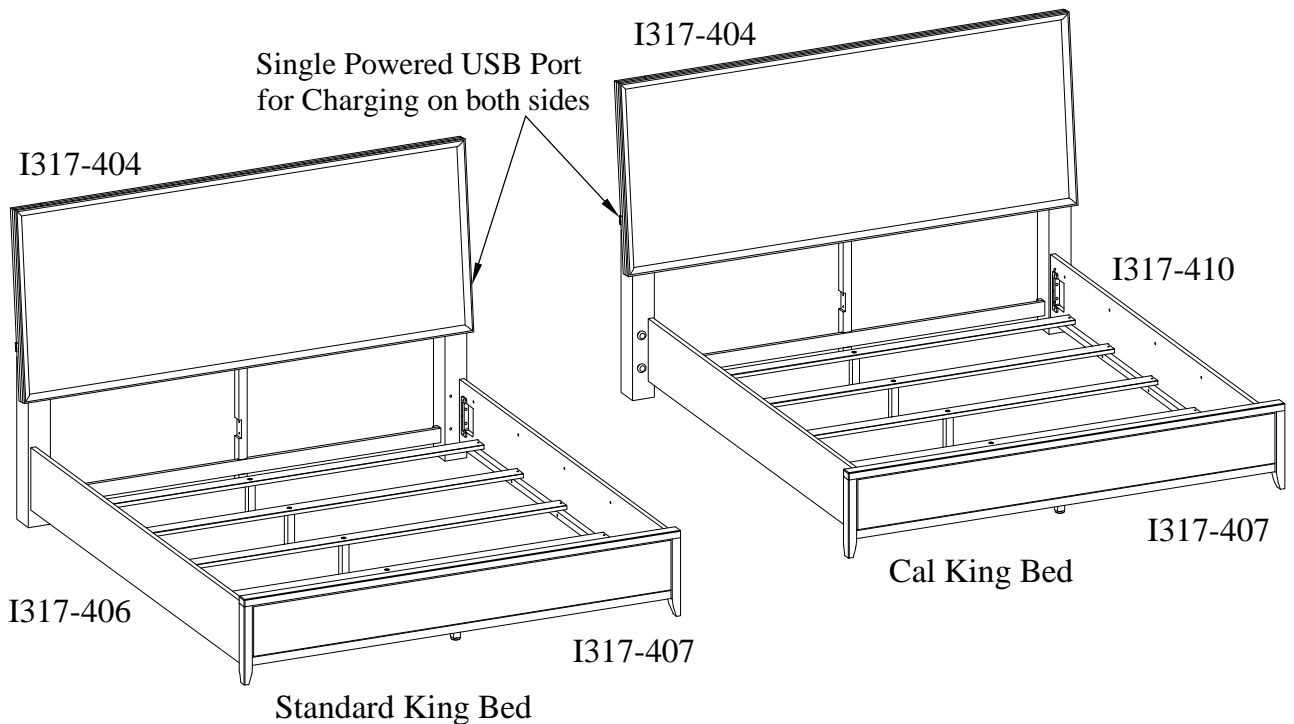
STEP 7: Arrange the slats on the slat bearers equally and attach to the slat bearers with wood screws (K).



STEP 8: For Cal King bed, insert wood caps into the holes on headboard and footboard. For regular King bed, skip this step.



FUNCTIONALITY INSTRUCTION



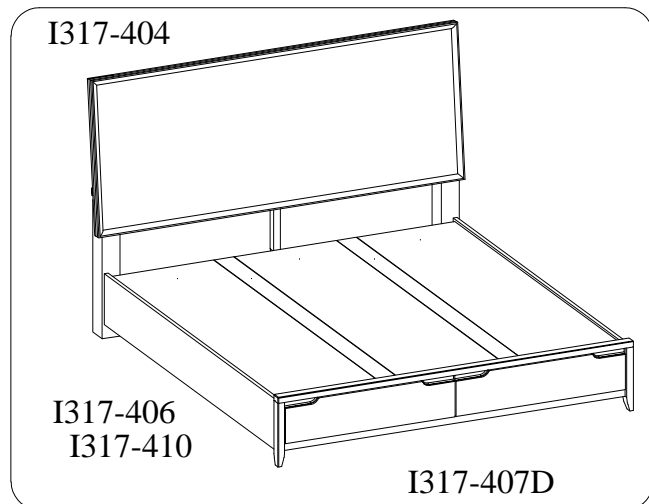


- ITEM NO: I317-404 King Panel HB
 I317-406 King Rails
 I317-410 Cal King Rails
 I317-407D King Storage FB

Thank you for purchasing this quality product. Be sure to check all packing material carefully for small parts that may come loose inside the carton during shipment.



UNIT SHOULD BE INSTALLED BY 2 OR MORE PERSONS.



All Beds need to be set up in the exact final location so that after full assembly it will not need to be moved. Moving the bed will cause the support legs to move out of perpendicular (90 degree), weaken the support system, and may allow the bed to collapse.

TOOLS REQUIRED (NOT PROVIDED)

PHILLIPS SCREWDRIVER

HARDWARE LIST: I317-404

| No. | Description | Sketch | Quantity |
|-----|---------------------------|--------|----------|
| A | Bolt Ø5/16" x 1-9/16" | | 6 PCS |
| B | Bolt Ø5/16" x 2-3/16" | | 8 PCS |
| C | Lock Washer Ø5/16" | | 14 PCS |
| D | Flat Washer Ø5/16" x 3/4" | | 14 PCS |
| E | Allen Wrench 5mm | | 1 PC |

HARDWARE LIST: I317-406/410

| No. | Description | Sketch | Quantity |
|-----|-----------------------------|--------|----------|
| F | Hanger Bolt Ø5/16" x 3-1/8" | | 8 PCS |
| G | Lock Washer Ø5/16" | | 8 PCS |
| H | Flat Washer Ø5/16" x 5/8" | | 8 PCS |
| I | Hex Nut Ø5/16" | | 8 PCS |
| J | Hex Wrench | | 1 PC |
| K | Wood Screw M4 x 1-3/16" | | 10 PCS |
| L | Wood Cap (only for 410) | | 8 PCS |

HARDWARE LIST: I317-407D

| No. | Description | Sketch | Quantity |
|-----|---------------------------|--------|----------|
| M | Bolt Ø5/16" x 1-3/16" | | 8 PCS |
| N | Lock Washer Ø5/16" | | 8 PCS |
| O | Flat Washer Ø5/16" x 3/4" | | 8 PCS |
| P | Allen Wrench 5mm | | 1 PC |
| Q | Wood Screw M4 x 1" | | 7 PCS |

COMPONENTS LIST: I317-404

| No. | Description | Sketch | Quantity |
|-----|--------------------|--------|----------|
| 1 | Headboard | | 1 PC |
| 2 | Left leg | | 1 PC |
| 3 | Right leg | | 1 PC |
| 4 | Wood stretcher | | 1 PC |
| 5 | Center support leg | | 1 PC |

COMPONENTS LIST: I317-406

| No. | Description | Sketch | Quantity |
|-----|-------------|--------|----------|
| 1 | Bed rails | | 2 PCS |
| 2 | Slats | | 5 PCS |

COMPONENTS LIST: I317-410

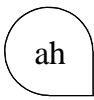
| No. | Description | Sketch | Quantity |
|-----|--------------------|--------|----------|
| 1 | Bed rails | | 2 PCS |
| 2 | Slats | | 5 PCS |
| 3 | Center rail (Long) | | 1 PC |

COMPONENTS LIST: I317-407D

| No. | Description | Sketch | Quantity |
|-----|-------------------------------|--------|----------|
| 1 | Footboard | | 1 PC |
| 2 | Support leg (for center rail) | | 2 PCS |
| 3 | Support leg (for pedestal) | | 3 PCS |
| 4 | Decking | | 3 PCS |
| 5 | Center rail (Short) | | 1 PC |
| 6 | Filler | | 2 PCS |

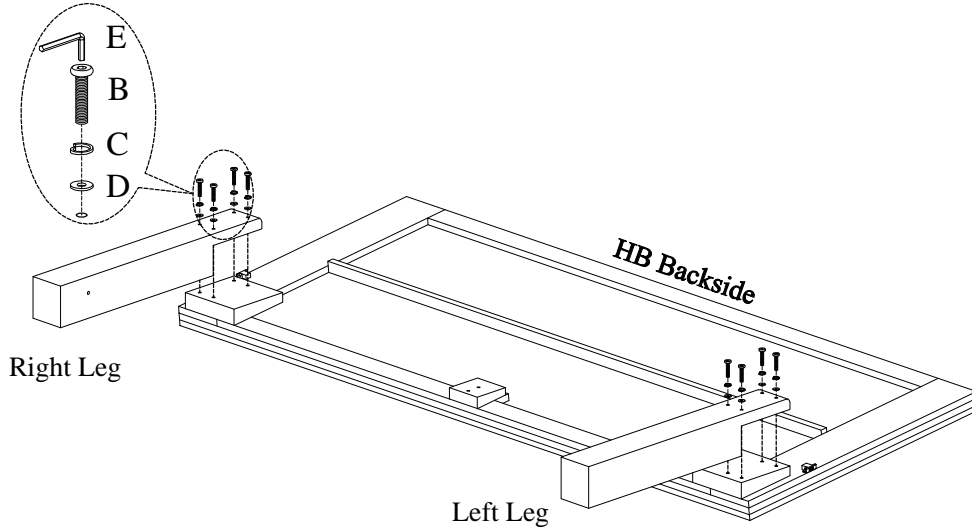
BEFORE USING THIS PRODUCT PLEASE READ, UNDERSTAND, AND FOLLOW THESE INSTRUCTIONS.
 Save these instructions for future reference.

FOR INDOOR USE ONLY

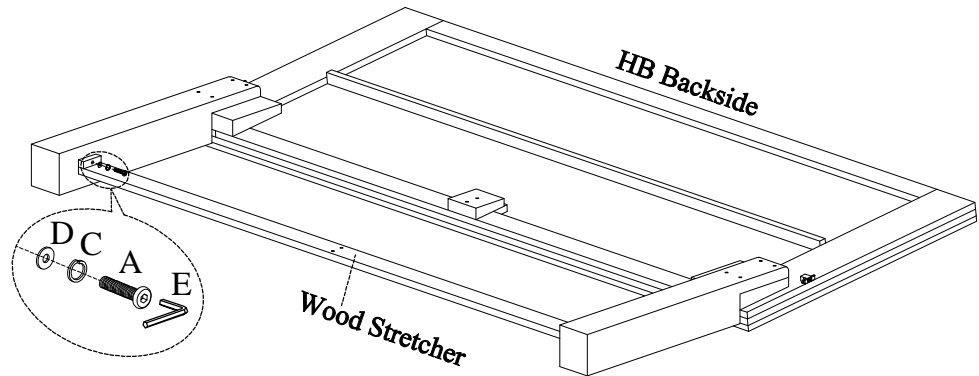


ITEM NO: I317-404 King Panel HB
I317-406 King Rails
I317-410 Cal King Rails
I317-407D King Storage FB

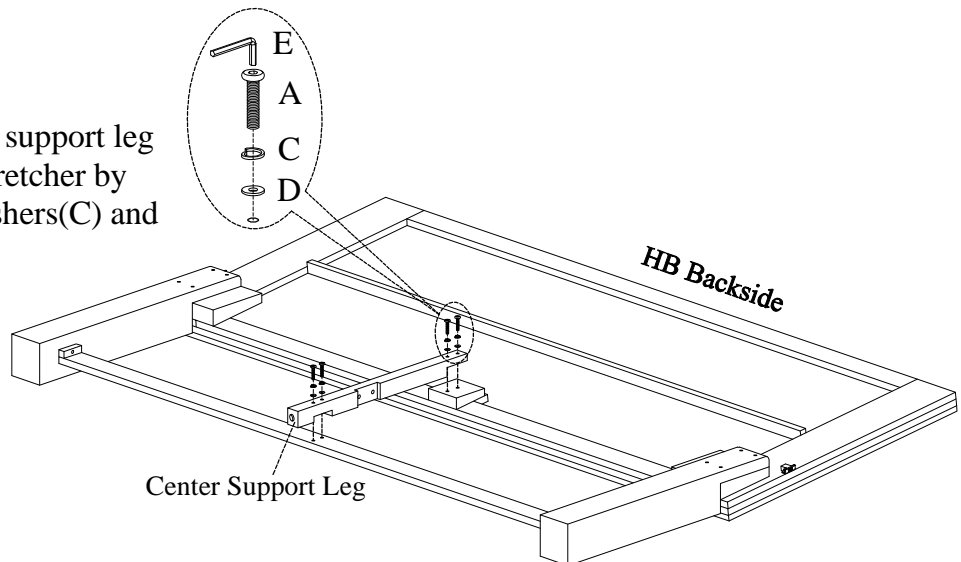
STEP 1: Lay the headboard face down on a soft surface. Attach the left leg and right leg to headboard by using 8 bolts(B), lock washers(C) and flat washers(D).

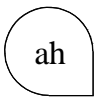


STEP 2: Attach the wood stretcher to the legs by using 2 bolts(A), lock washers(C) and flat washers(D).



STEP 3: Attach the center support leg to headboard and wood stretcher by using 4 bolts(A), lock washers(C) and flat washers(D).

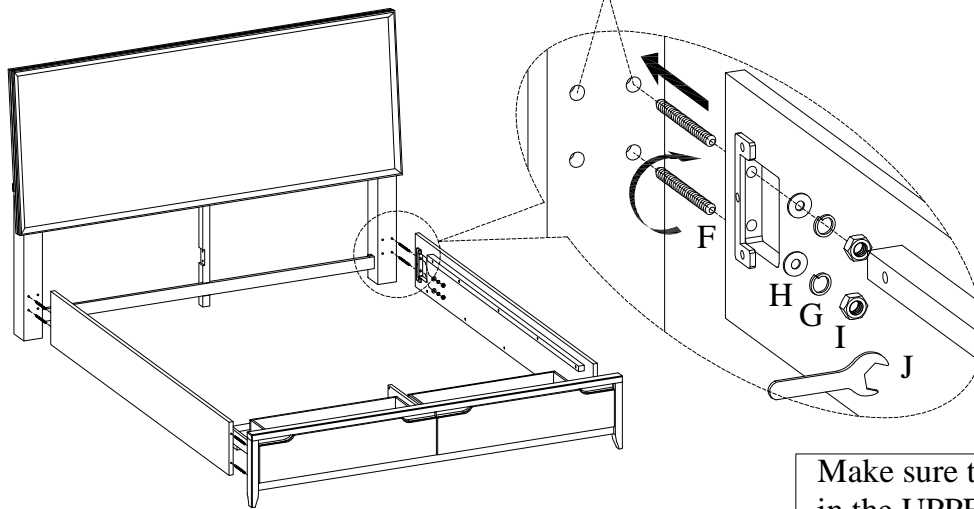




- ITEM NO: I317-404 King Panel HB
 I317-406 King Rails
 I317-410 Cal King Rails
 I317-407D King Storage FB

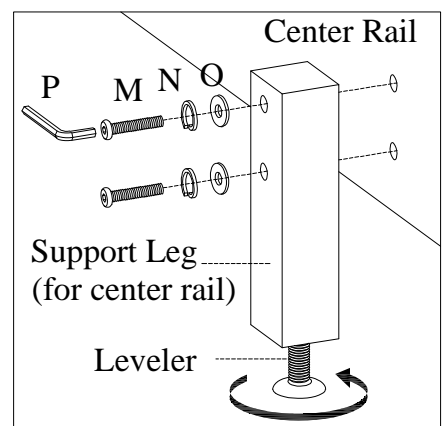
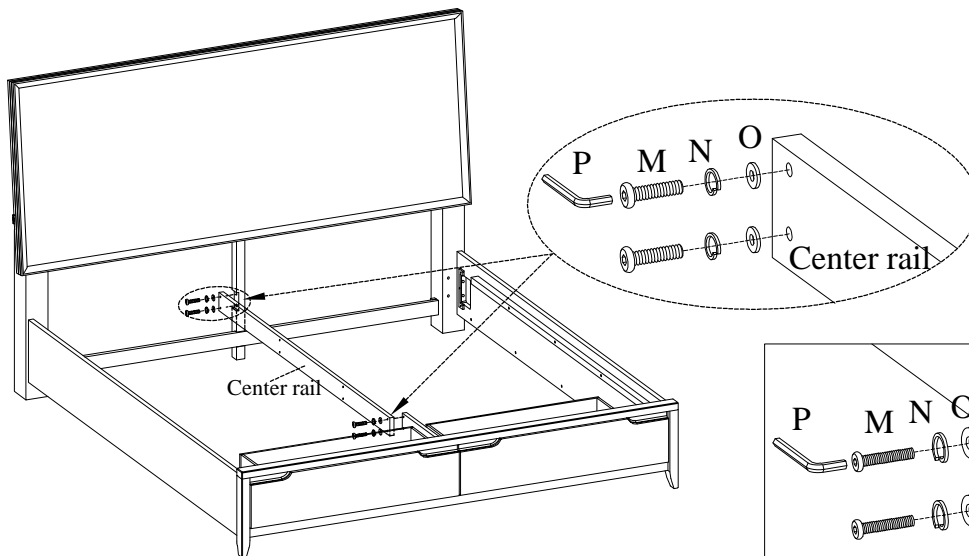
STEP 4: Screw the bolts(F) into HB & FB. Make sure the slat bearer is in the UPPER position. Align the bolts with the holes in the end of side rails and attach the side rails to HB & FB using flat washer(H), lock washers(G) and nuts (I). Then use a hex wrench(J) to tighten all the nuts.

The outside holes match to 6/6 standard king rails, the inside holes match to 6/0 Cal king bed rails.

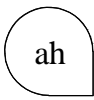


Make sure the slat bearer is in the UPPER position.

STEP 5: The standard king center support is in the Storage Footboard carton, and the Cal king center rail is in the Cal King side rail carton. Attach the appropriate center rail to the footboard and center support leg of headboard using 4 bolts(M), lock washers(N) and flat washers(O).

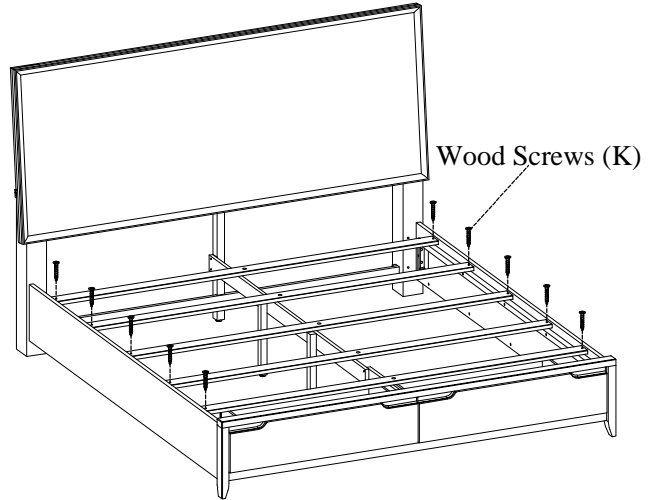


STEP 6: Attach 2 support legs (for center rail) to the center rail using 4 bolts(M), lock washers(N) and flat washers(O). Use the Allen Wrench (P) to tighten all of the bolts.

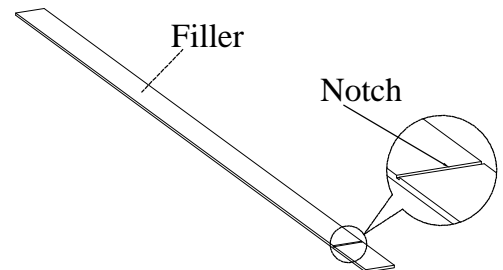


- ITEM NO: I317-404 King Panel HB
 I317-406 King Rails
 I317-410 Cal King Rails
 I317-407D King Storage FB

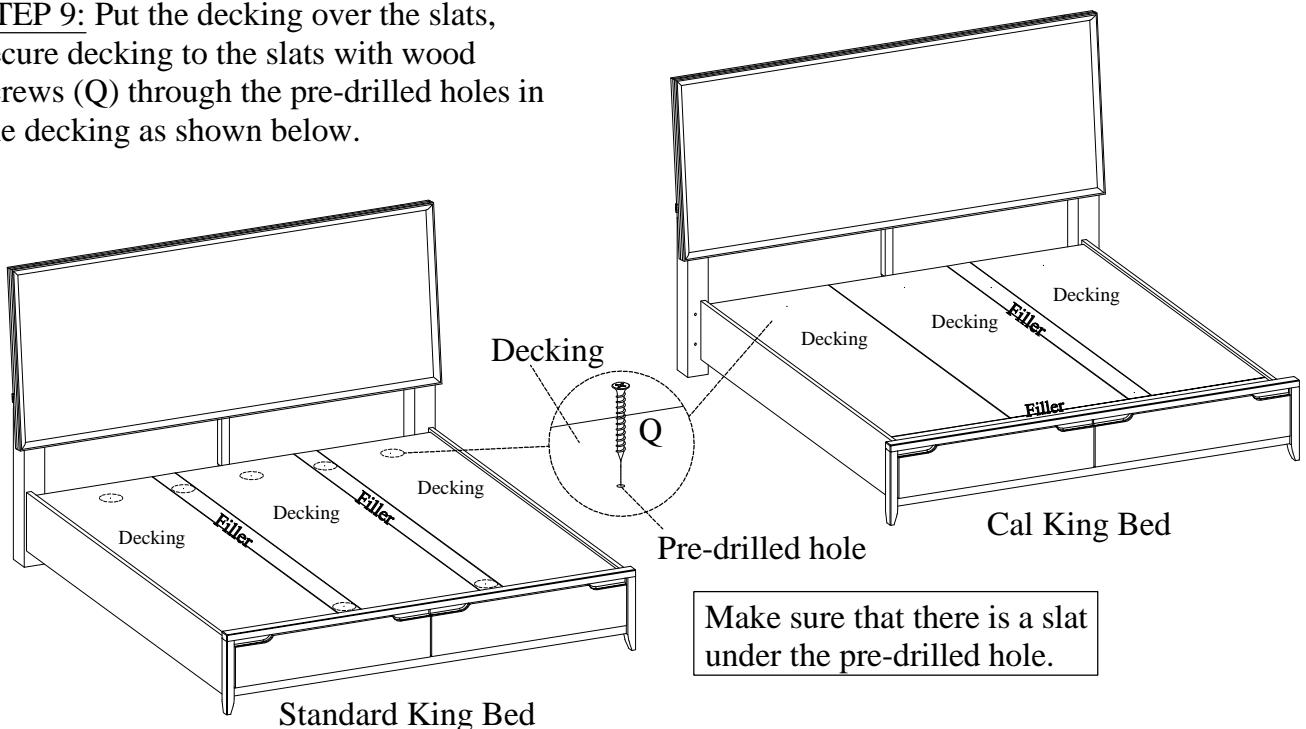
STEP 7: Arrange slats on the slat bearers and then lay the decking on top of the slats. Make sure the top and bottom slats are situated underneath the pre-drilled holes as shown below in STEP 9. Remove the decking and attach slats to the slat bearers with wood screws (K).



STEP 8: For the Cal King bed, both filler boards are notched. Using a utility knife only cut off the small piece at the notch on one of the filler boards. This cut off filler board will be placed at the foot of the bed going from left to right as shown on the right side below in STEP 9. For the standard King bed, skip this step and arrange the decking boards as shown on the left side below.



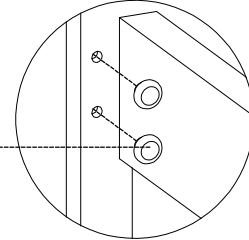
STEP 9: Put the decking over the slats, secure decking to the slats with wood screws (Q) through the pre-drilled holes in the decking as shown below.





- ITEM NO: I317-404 King Panel HB
 I317-406 King Rails
 I317-410 Cal King Rails
 I317-407D King Storage FB

STEP 10: For Cal King bed, insert wood caps into the holes on headboard and footboard. For regular King bed, skip this step.



Wood Cap (L)

FUNCTIONALITY INSTRUCTION

