

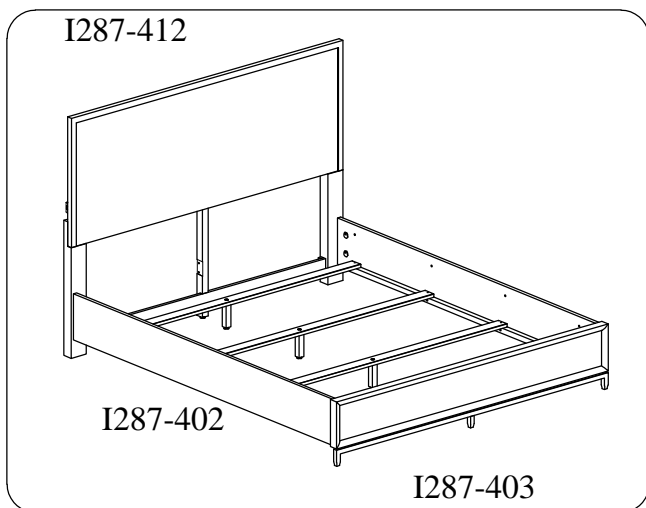


ITEM NO: I287-412 Queen Panel HB
 I287-402 Queen Rails
 I287-403 Queen Low Profile FB

Thank you for purchasing this quality product. Be sure to check all packing material carefully for small parts that may come loose inside the carton during shipment.



UNIT SHOULD BE INSTALLED BY 2 OR MORE PERSONS.



All Beds need to be set up in the exact final location so that after full assembly it will not need to be moved. Moving the bed will cause the support legs to move out of perpendicular (90 degree), weaken the support system, and may allow the bed to collapse.

TOOLS REQUIRED (NOT PROVIDED)
PHILLIPS SCREWDRIVER

HARDWARE LIST: I287-412			
No.	Description	Sketch	Quantity
A	Bolt Ø5/16" x 1-3/4"		12 PCS
B	Lock Washer Ø5/16"		12 PCS
C	Flat Washer Ø5/16" x 3/4"		12 PCS
D	Allen Wrench 5mm		1 PC

COMPONENTS LIST: I287-412			
No.	Description	Sketch	Quantity
1	Headboard		1 PC
2	Left Leg		1 PC
3	Right Leg		1 PC
4	Wood Stretcher		1 PC
5	Center Support Leg		1 PC

HARDWARE LIST: I287-402			
No.	Description	Sketch	Quantity
E	Hanger Bolt Ø5/16" x 3-1/2"		8 PCS
F	Half Moon Washer Ø5/16"		8 PCS
G	Lock Washer Ø5/16"		8 PCS
H	Hex Nut Ø5/16"		8 PCS
I	Hex Wrench 12mm		1 PC
J	Wood Screw #8 x 1-1/4"		8 PCS

COMPONENTS LIST: I287-402			
No.	Description	Sketch	Quantity
1	Bed rail		2 PCS
2	Slat		4 PCS

COMPONENTS LIST: I287-403			
No.	Description	Sketch	Quantity
1	Footboard		1 PC
2	Support Leg (for slat)		4 PCS

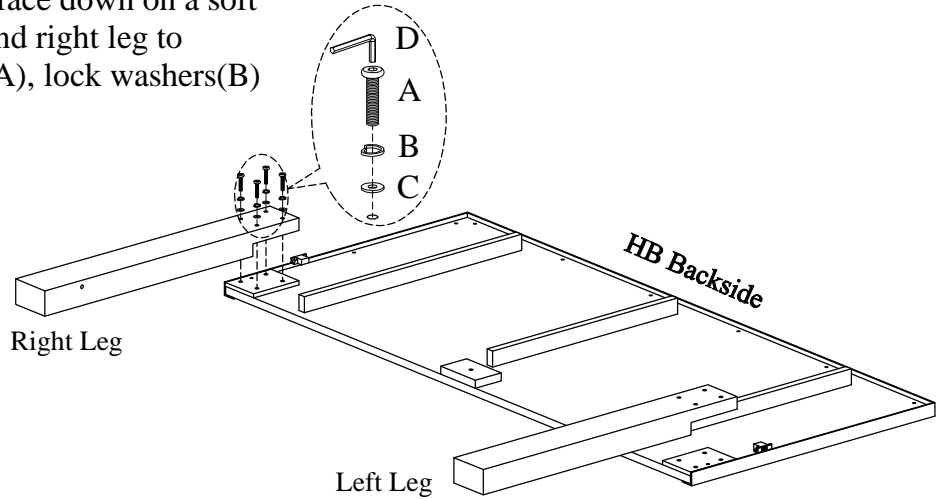
BEFORE USING THIS PRODUCT PLEASE READ, UNDERSTAND, AND FOLLOW THESE INSTRUCTIONS. Save these instructions for future reference.

FOR INDOOR USE ONLY

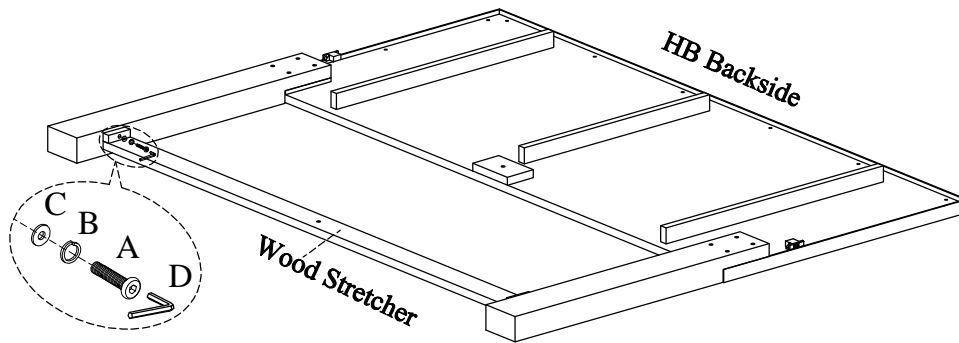


ITEM NO: I287-412 Queen Panel HB
I287-402 Queen Rails
I287-403 Queen Low Profile FB

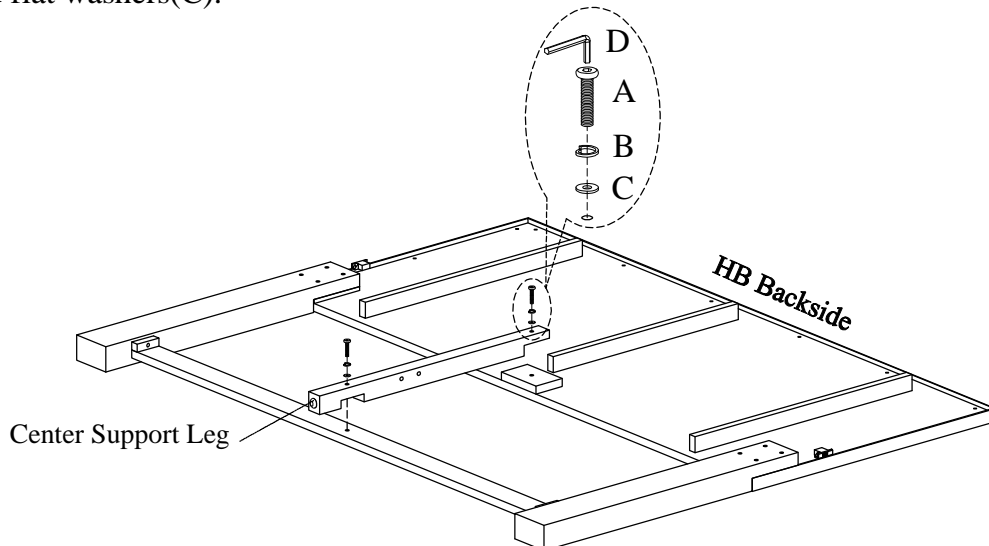
STEP 1: Lay the headboard face down on a soft surface. Attach the left leg and right leg to headboard by using 8 bolts(A), lock washers(B) and flat washers(C).

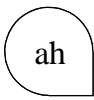


STEP 2: Attach the wood stretcher to left leg and right leg by using 2 bolts(A), lock washers(B) and flat washers(C).



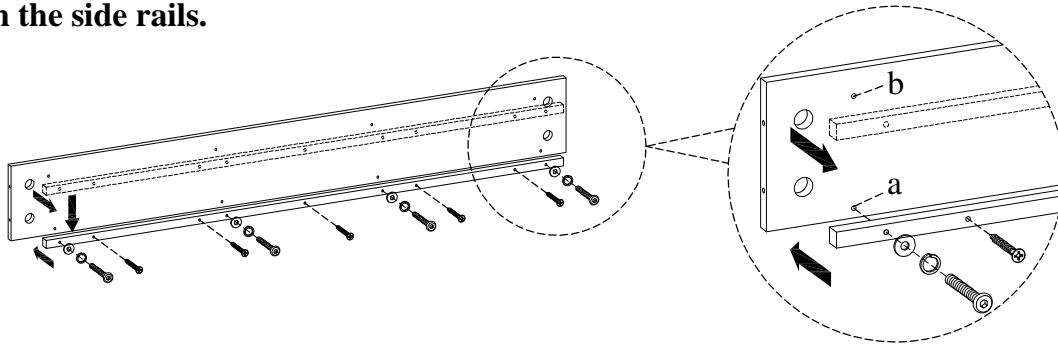
STEP 3: Attach the center support leg to headboard and wood stretcher by using 2 bolts(A), lock washers(B) and flat washers(C).



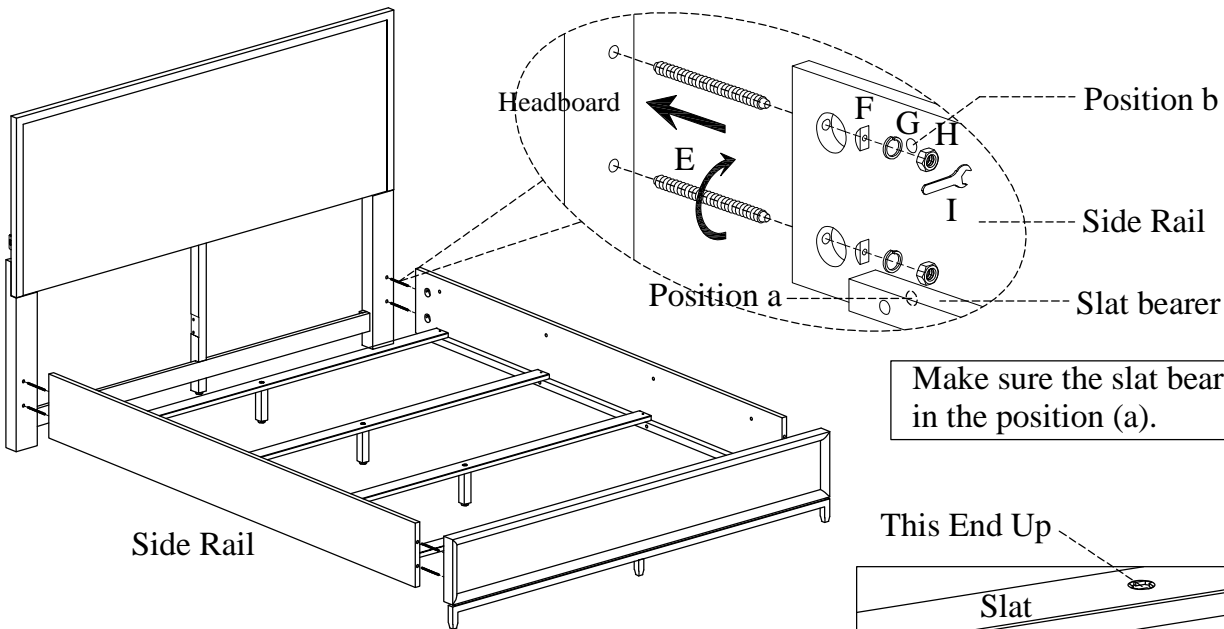


ITEM NO: I287-412 Queen Panel HB
 I287-402 Queen Rails
 I287-403 Queen Low Profile FB

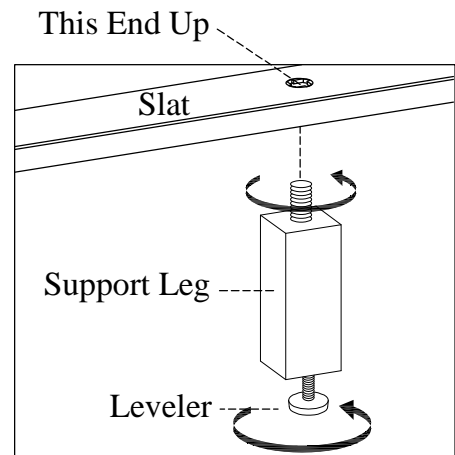
STEP 4: The slat bearers have been attached in position (b) approximately 2" from the top of the side rails for use with a storage footboard. The slat bearers must be moved into position (a) based on this bed configuration. Remove the bolts and screws from the slat bearers and side rails as shown below. Then re-attach the slat bearers to the side rails in position (a) with bolts, lock washers, flat washers, and screws. **Caution: Do not over tighten bolts as this may loosen the threaded inserts in the side rails.**

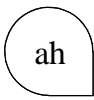


STEP 5: Screw the bolts(E) into HB & FB. Make sure the slat bearer is in the position (a). Align the bolts with the holes in the end of side rails and attach the side rails to HB & FB using half moon washer(F), lock washers(G) and nuts (H). Then use a hex wrench to tighten all the nuts.



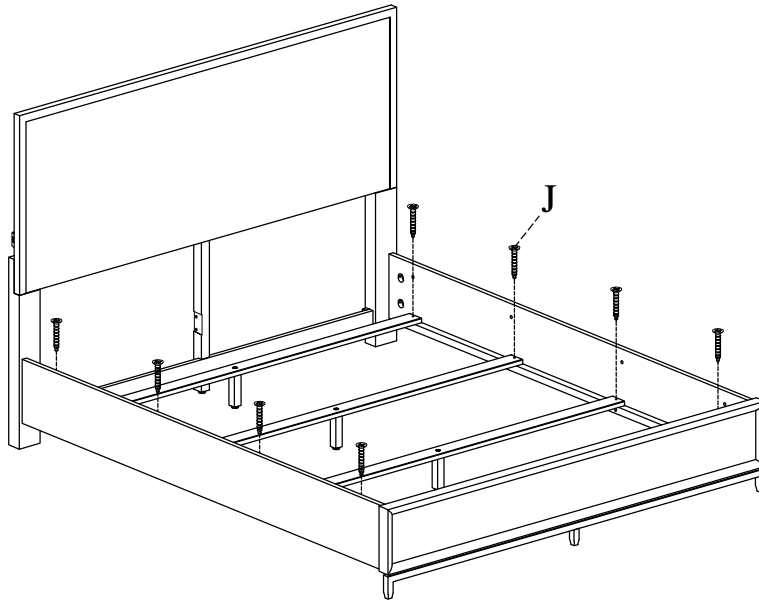
STEP 6: Attach the support legs with levelers to the slats. Adjust the levelers on bottom of support legs when necessary.



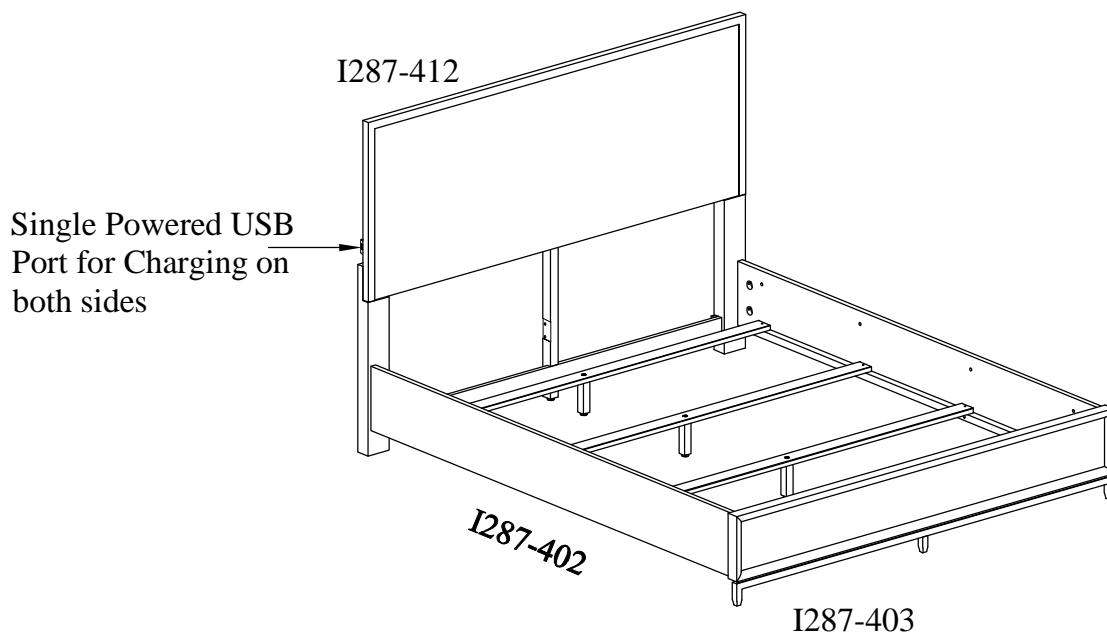


ITEM NO: I287-412 Queen Panel HB
 I287-402 Queen Rails
 I287-403 Queen Low Profile FB

STEP 7: Arrange the slats on the slat bearers equally and attach to the slat bearers with wood screws (J).



FUNCTIONALITY INSTRUCTION



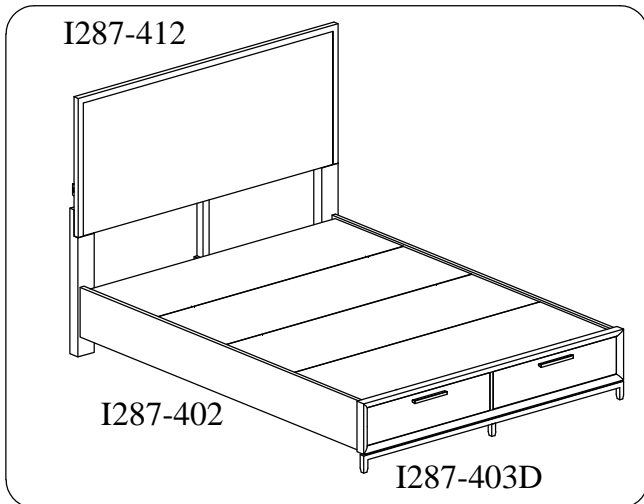


ITEM NO: I287-412 Queen Panel HB
 I287-402 Queen Rails
 I287-403D Queen Storage FB

Thank you for purchasing this quality product. Be sure to check all packing material carefully for small parts that may come loose inside the carton during shipment.



UNIT SHOULD BE INSTALLED BY 2 OR MORE PERSONS.



All Beds need to be set up in the exact final location so that after full assembly it will not need to be moved. Moving the bed will cause the support legs to move out of perpendicular (90 degree), weaken the support system, and may allow the bed to collapse.

TOOLS REQUIRED (NOT PROVIDED)
PHILLIPS SCREWDRIVER

HARDWARE LIST: I287-412

No.	Description	Sketch	Quantity
A	Bolt Ø5/16" x 1-3/4"		12 PCS
B	Lock Washer Ø5/16"		12 PCS
C	Flat Washer Ø5/16" x 3/4"		12 PCS
D	Allen Wrench 5mm		1 PC

HARDWARE LIST: I287-402

No.	Description	Sketch	Quantity
E	Hanger Bolt Ø5/16" x 3-1/2"		8 PCS
F	Half Moon Washer 5/16"		8 PCS
G	Lock Washer Ø5/16"		8 PCS
H	Hex Nut Ø5/16" x 1/2"		8 PCS
I	Hex Wrench 12mm		1 PC
J	Wood Screw #8 x 1-1/4"		8 PCS

HARDWARE LIST: I287-403D

No.	Description	Sketch	Quantity
K	Bolt Ø1/4" x 1-1/4"		8 PCS
L	Bolt Ø1/4" x 1"		4 PCS
M	Lock Washer Ø1/4"		12 PCS
N	Flat Washer Ø1/4" x 3/4"		12 PCS
O	Allen Wrench 4mm		1 PC
P	Wood Screw #8 x 1-1/4"		8 PCS

COMPONENTS LIST: I287-412

No.	Description	Sketch	Quantity
1	Headboard		1 PC
2	Left Leg		1 PC
3	Right Leg		1 PC
4	Wood Stretcher		1 PC
5	Center Support Leg		1 PC

COMPONENTS LIST: I287-402

No.	Description	Sketch	Quantity
1	Bed rail		2 PCS
2	Slat		4 PCS

COMPONENTS LIST: I287-403D

No.	Description	Sketch	Quantity
1	Footboard		1 PC
2	Metal Base		1 PC
3	Support Leg (for footboard)		2 PCS
4	Support Leg (for center rail)		2 PCS
5	Decking		4 PCS
6	Center rail		1 PC

BEFORE USING THIS PRODUCT PLEASE READ, UNDERSTAND, AND FOLLOW THESE INSTRUCTIONS.
 Save these instructions for future reference.

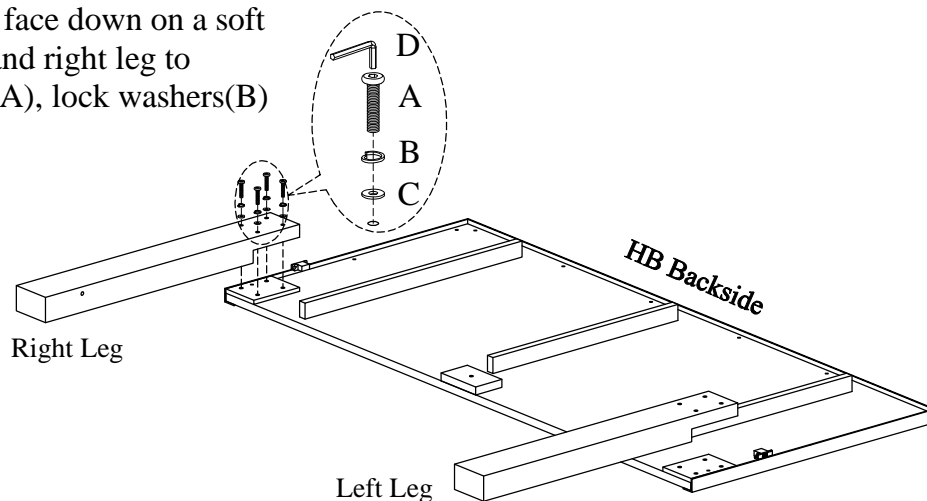
FOR INDOOR USE ONLY



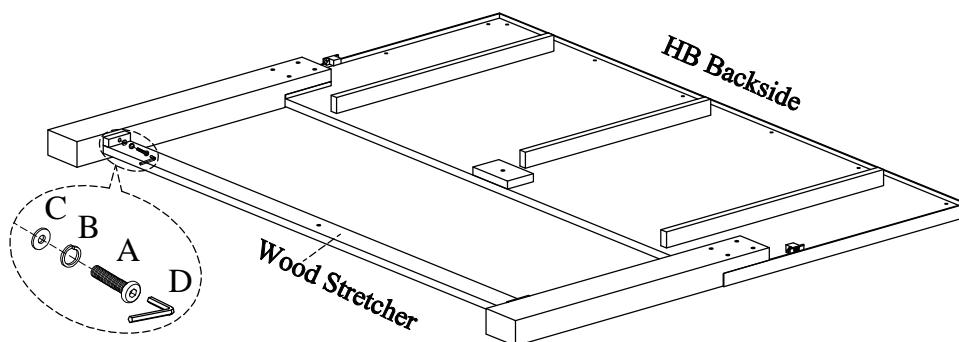
ITEM NO: I287-412
I287-402
I287-403D

Queen Panel HB
Queen Rails
Queen Storage FB

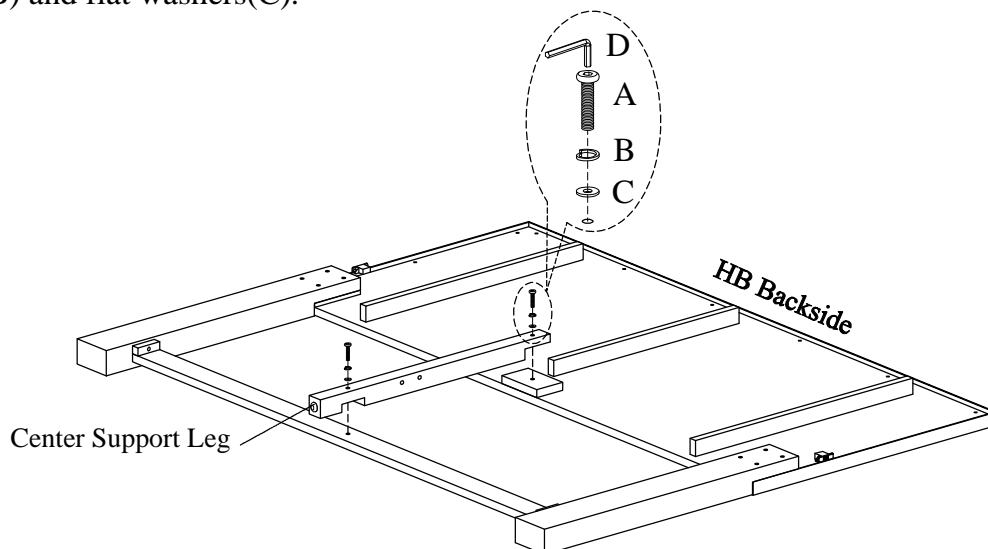
STEP 1: Lay the headboard face down on a soft surface. Attach the left leg and right leg to headboard by using 8 bolts(A), lock washers(B) and flat washers(C).

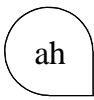


STEP 2: Attach the wood stretcher to left leg and right leg by using 2 bolts(A), lock washers(B) and flat washers(C).



STEP 3: Attach the center support leg to headboard and wood stretcher by using 2 bolts(A), lock washers(B) and flat washers(C).

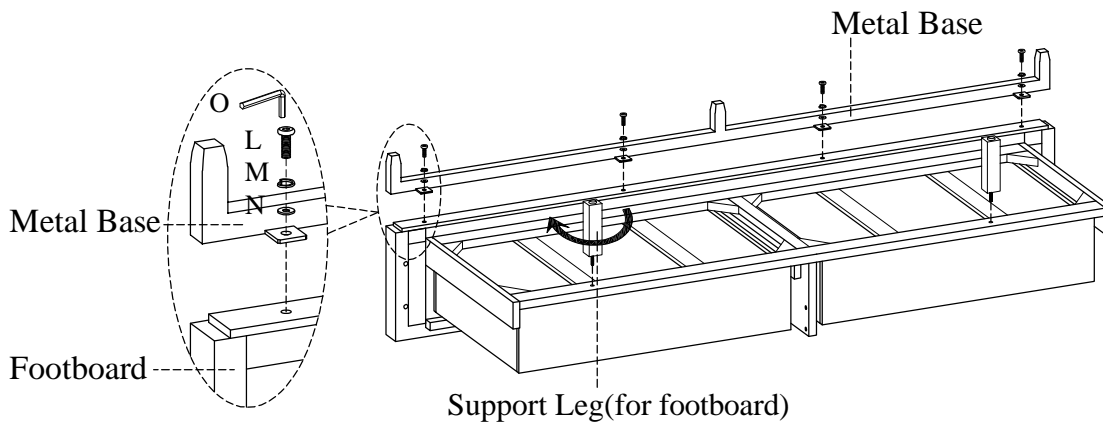




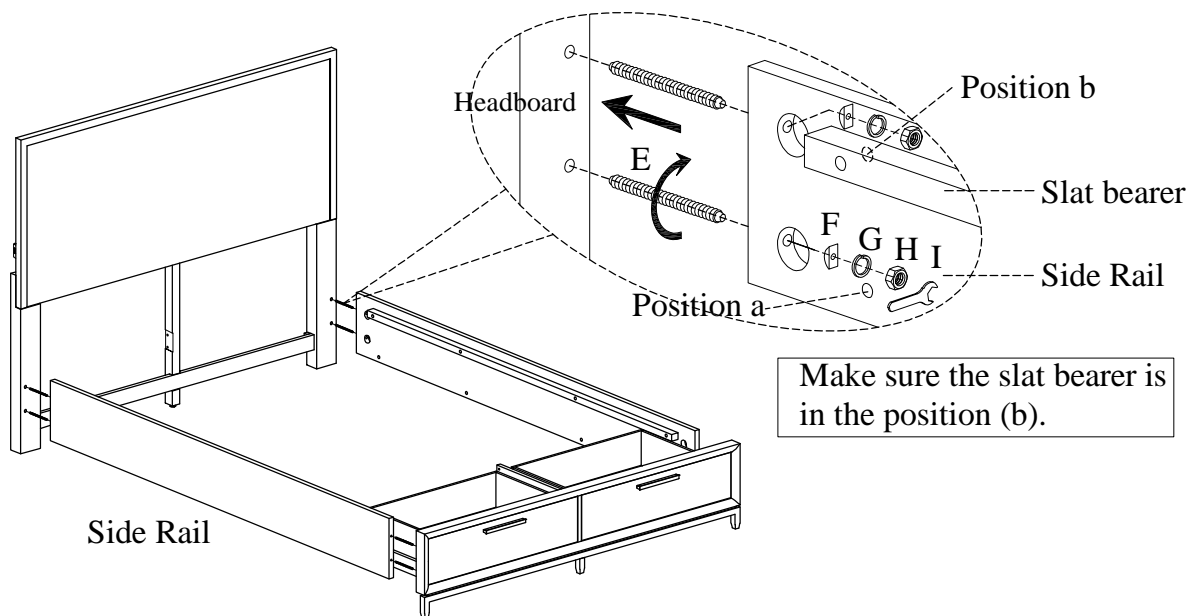
ITEM NO: I287-412
I287-402
I287-403D

Queen Panel HB
Queen Rails
Queen Storage FB

STEP 4: Put the footboard upside down on a padded, clean surface. Attach the support legs(for footboard) and the metal base to footboard by using 4 bolts(L), lock washers(M) and flat washers(N).



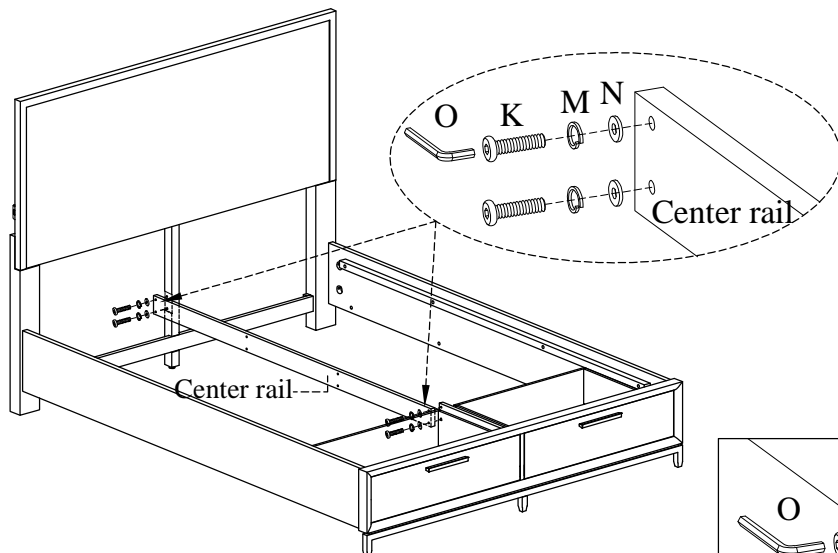
STEP 5: Screw the bolts(E) into HB & FB. Make sure the slat bearer is in the position (b). Align the bolts with the holes in the end of side rails and attach the side rails to HB & FB using half moon washers(F), lock washers(G) and nuts (H). Then use a hex wrench to tighten all the nuts.



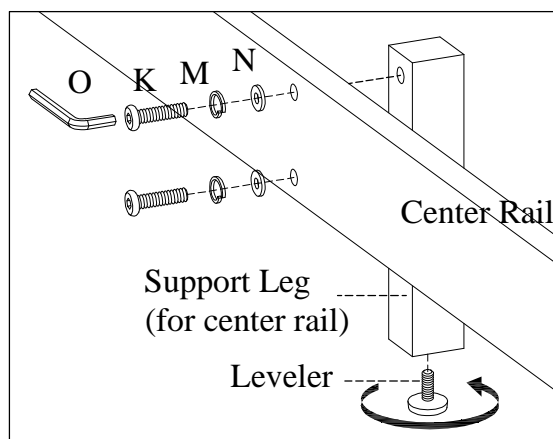


ITEM NO: I287-412 Queen Panel HB
 I287-402 Queen Rails
 I287-403D Queen Storage FB

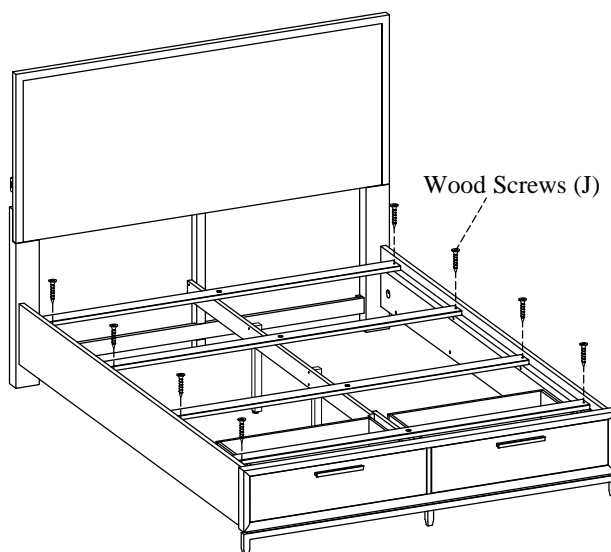
STEP 6: Attach center rail to the footboard and center support leg of headboard using 4 bolts(K), lock washers(M) and flat washers(N).



STEP 7: Attach 2 support legs (for center rail) to the center rail using 4 bolts(K), lock washers(M) and flat washers(N). Use the Allen Wrench(O) to tighten all of the bolts.



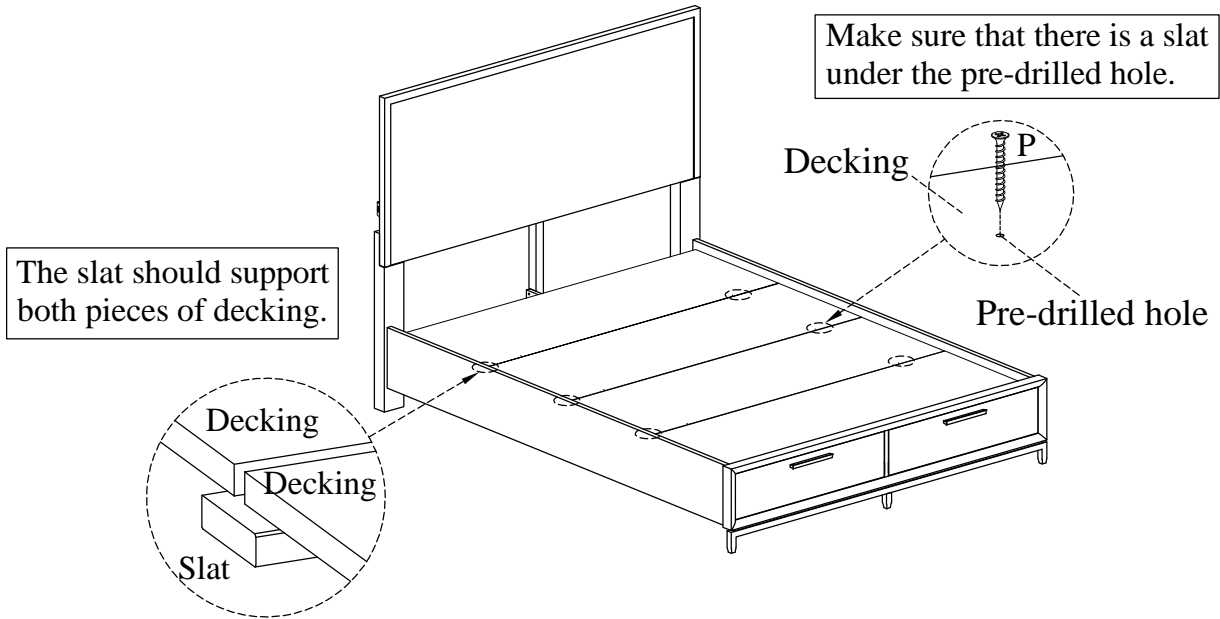
STEP 8: Arrange slats on the slat bearers and then lay decking on top of the slats. Make sure the slats are positioned along the seams of the decking as shown in the detail in STEP 9 under the pre-drilled hole. Remove the decking and attach slats to the slat bearers with wood screws (J).



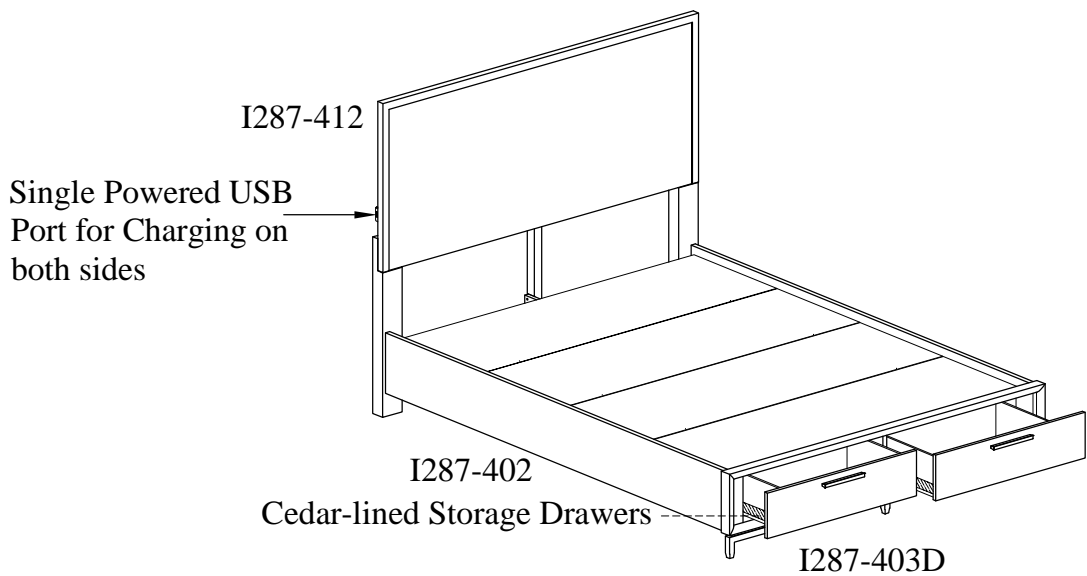


ITEM NO: I287-412 Queen Panel HB
I287-402 Queen Rails
I287-403D Queen Storage FB

STEP 9: Put the deckings over the slats, secure deckings to the slats with wood screws (P) through the pre-drilled holes in the deckings as shown below.



FUNCTIONALITY INSTRUCTION



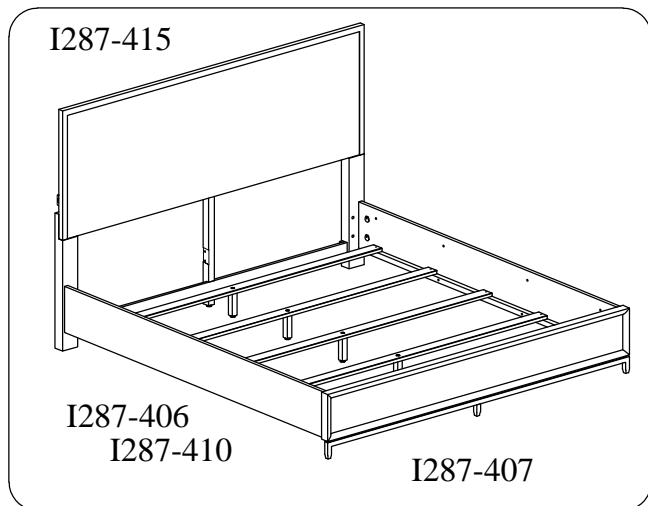


ITEM NO: I287-415 King Panel HB
 I287-406 King Rails
 I287-410 Cal King Rails
 I287-407 King Low Profile FB

Thank you for purchasing this quality product. Be sure to check all packing material carefully for small parts that may come loose inside the carton during shipment.



UNIT SHOULD BE INSTALLED BY 2 OR MORE PERSONS.



All Beds need to be set up in the exact final location so that after full assembly it will not need to be moved. Moving the bed will cause the support legs to move out of perpendicular (90 degree), weaken the support system, and may allow the bed to collapse.

TOOLS REQUIRED (NOT PROVIDED)
PHILLIPS SCREWDRIVER

HARDWARE LIST: I287-415			
No.	Description	Sketch	Quantity
A	Bolt Ø5/16" x 1-3/4"		12 PCS
B	Lock Washer Ø5/16"		12 PCS
C	Flat Washer Ø5/16" x 3/4"		12 PCS
D	Allen Wrench 5mm		1 PC

COMPONENTS LIST: I287-415			
No.	Description	Sketch	Quantity
1	Headboard		1 PC
2	Left Leg		1 PC
3	Right Leg		1 PC
4	Wood Stretcher		1 PC
5	Center Support Leg		1 PC

HARDWARE LIST: I287-406/410			
No.	Description	Sketch	Quantity
E	Hanger Bolt Ø5/16" x 3-1/2"		8 PCS
F	Half Moon Washer Ø5/16"		8 PCS
G	Lock Washer Ø5/16"		8 PCS
H	Hex Nut Ø5/16"		8 PCS
I	Hex Wrench 12mm		1 PC
J	Wood Screw #8 x 1-1/4"		10 PCS
K	Wood Cap (only for 410)		8 PCS

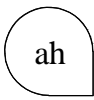
COMPONENTS LIST: I287-406			
No.	Description	Sketch	Quantity
1	Bed rail		2 PCS
2	Slat		5 PCS

COMPONENTS LIST: I287-410			
No.	Description	Sketch	Quantity
1	Bed rail		2 PCS
2	Slat		5 PCS
3	Center rail (Long)		1 PC

COMPONENTS LIST: I287-407			
No.	Description	Sketch	Quantity
1	Footboard		1 PC
2	Support Leg (for slat)		5 PCS

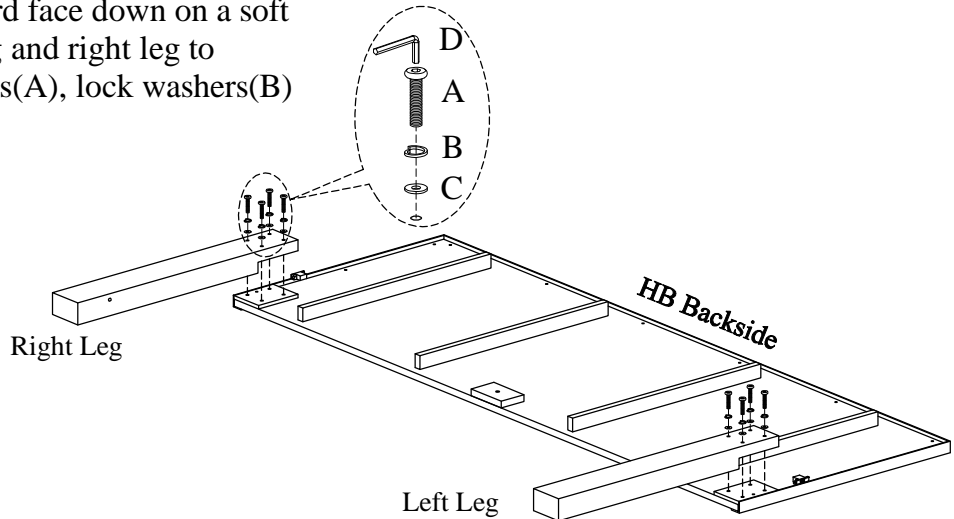
BEFORE USING THIS PRODUCT PLEASE READ, UNDERSTAND, AND FOLLOW THESE INSTRUCTIONS. Save these instructions for future reference.

FOR INDOOR USE ONLY

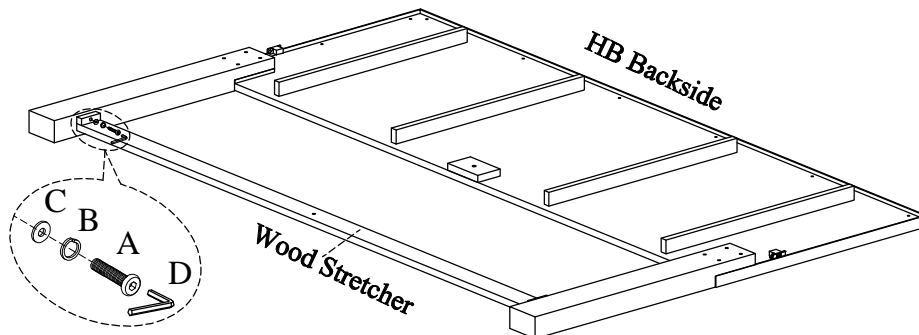


ITEM NO: I287-415 King Panel HB
 I287-406 King Rails
 I287-410 Cal King Rails
 I287-407 King Low Profile FB

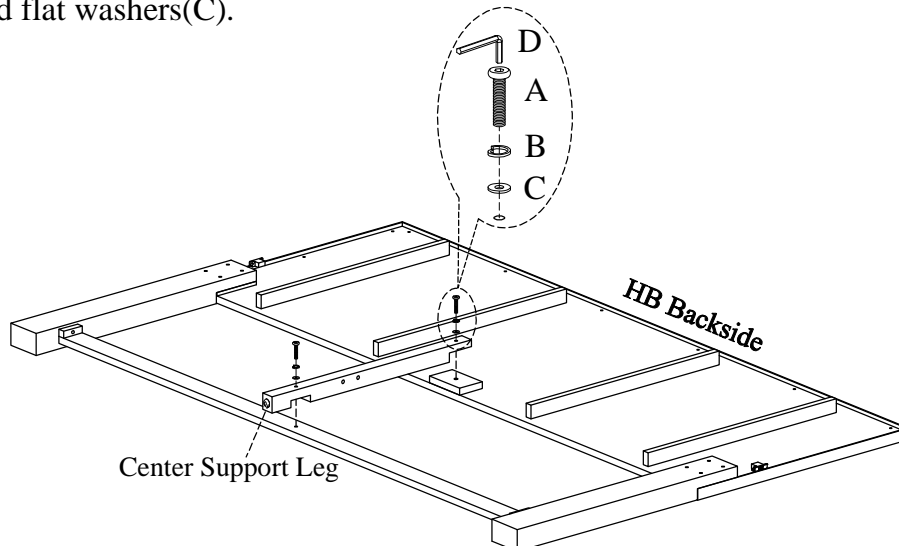
STEP 1: Lay the headboard face down on a soft surface. Attach the left leg and right leg to headboard by using 8 bolts(A), lock washers(B) and flat washers(C).

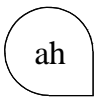


STEP 2: Attach the wood stretcher to left leg and right leg by using 2 bolts(A), lock washers(B) and flat washers(C).



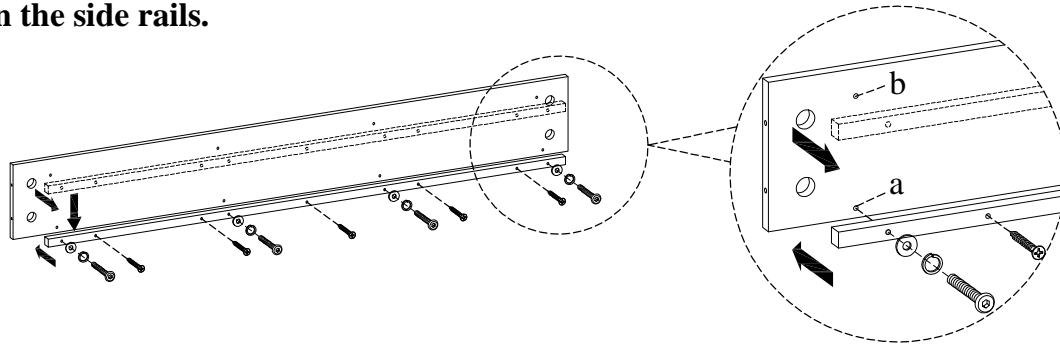
STEP 3: Attach the center support leg to headboard and wood stretcher by using 2 bolts(A), lock washers(B) and flat washers(C).





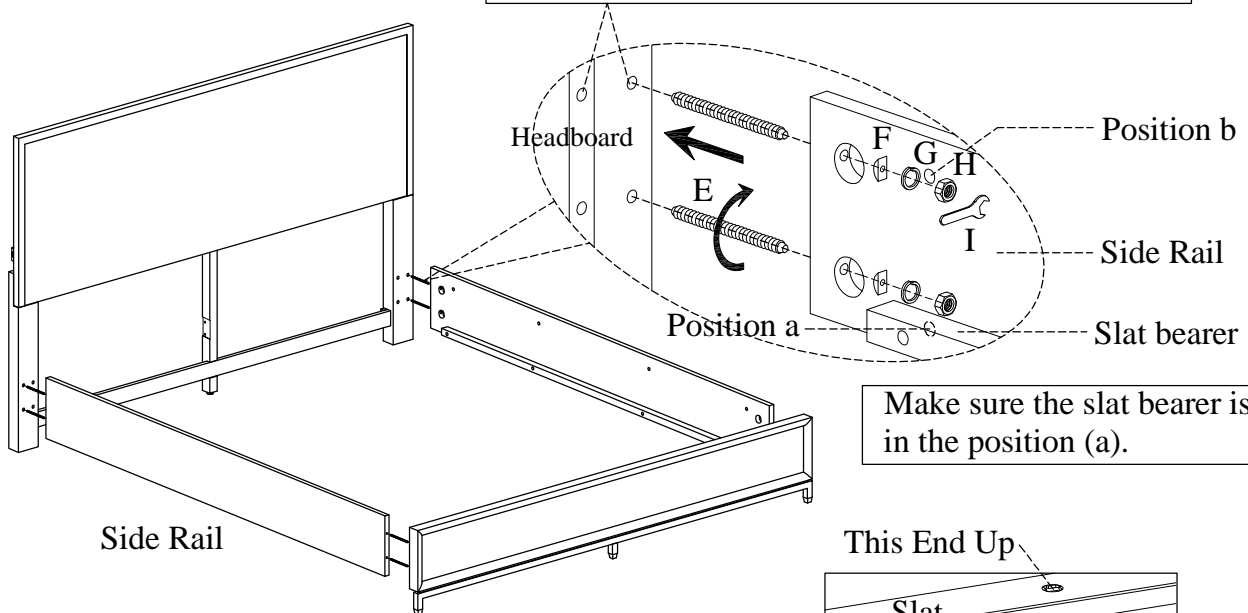
ITEM NO: I287-415 King Panel HB
 I287-406 King Rails
 I287-410 Cal King Rails
 I287-407 King Low Profile FB

STEP 4: The slat bearers have been attached in position (b) approximately 2" from the top of the side rails for use with a storage footboard. The slat bearers must be moved into position (a) based on this bed configuration. Remove the bolts and screws from the slat bearers and side rails as shown below. Then re-attach the slat bearers to the side rails in position (a) with bolts, lock washers, flat washers, and screws. **Caution: Do not over tighten bolts as this may loosen the threaded inserts in the side rails.**

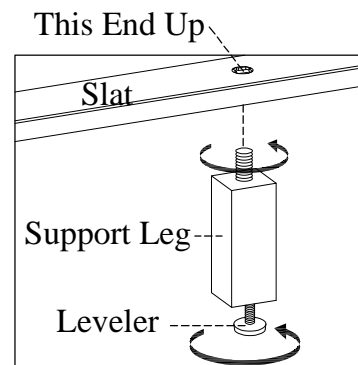


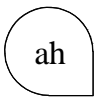
STEP 5: Screw the bolts(E) into HB & FB. Make sure the slat bearer is in the position (a). Align the bolts with the holes in the end of side rails and attach the side rails to HB & FB using half moon washer(F), lock washers(G) and nuts (H). Then use a hex wrench to tighten all the nuts.

The outside holes match to 6/6 standard king rails, the inside holes match to 6/0 Cal king bed rails.



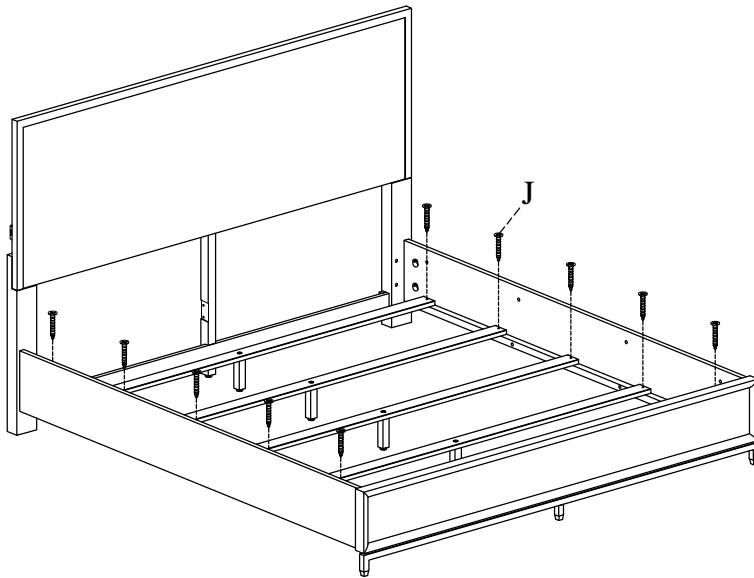
STEP 6: Attach the support legs with levelers to the slats. Adjust the levelers on bottom of support legs when necessary.



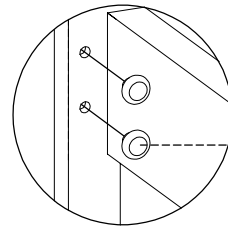


- | | |
|-------------------|---------------------|
| ITEM NO: I287-415 | King Panel HB |
| I287-406 | King Rails |
| I287-410 | Cal King Rails |
| I287-407 | King Low Profile FB |

STEP 7: Arrange the slats on the slat bearers equally and attach to the slat bearers with wood screws (J).

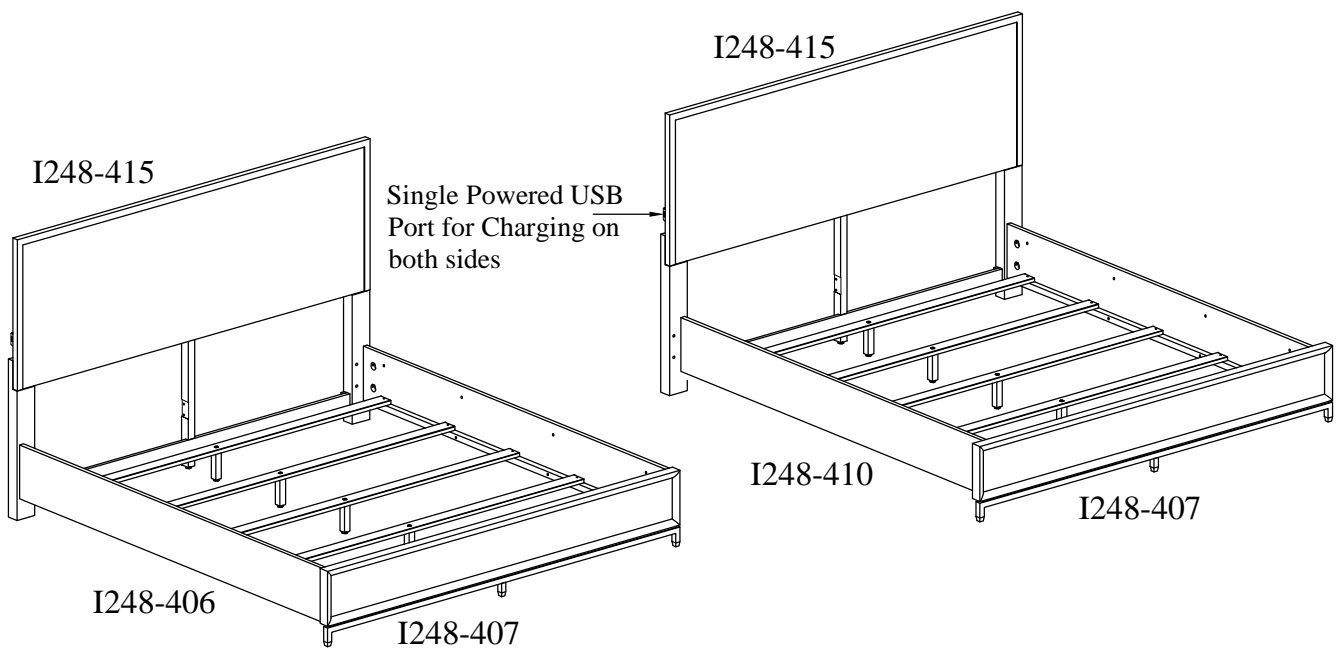


STEP 8: For Cal King bed, insert wood caps into the holes on headboard and footboard. For regular King bed, skip this step.



Wood Cap (K)

FUNCTIONALITY INSTRUCTION



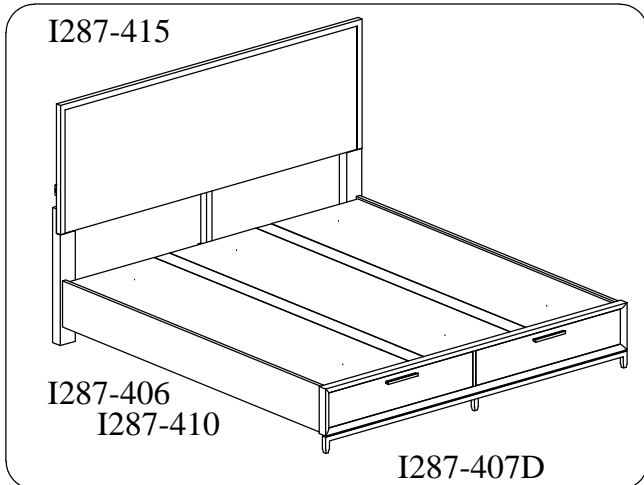


ITEM NO: I287-415 King Panel HB
 I287-406 King Rails
 I287-410 Cal King Rails
 I287-407D King Storage FB

Thank you for purchasing this quality product. Be sure to check all packing material carefully for small parts that may come loose inside the carton during shipment.



UNIT SHOULD BE INSTALLED BY 2 OR MORE PERSONS.



All Beds need to be set up in the exact final location so that after full assembly it will not need to be moved. Moving the bed will cause the support legs to move out of perpendicular (90 degree), weaken the support system, and may allow the bed to collapse.

TOOLS REQUIRED (NOT PROVIDED)
PHILLIPS SCREWDRIVER

HARDWARE LIST: I287-415

No.	Description	Sketch	Quantity
A	Bolt Ø5/16" x 1-3/4"		12 PCS
B	Lock Washer Ø5/16"		12 PCS
C	Flat Washer Ø5/16" x 3/4"		12 PCS
D	Allen Wrench 5mm		1 PC

HARDWARE LIST: I287-406/410

No.	Description	Sketch	Quantity
E	Hanger Bolt Ø5/16" x 3-1/2"		8 PCS
F	Half Moon Washer Ø5/16"		8 PCS
G	Lock Washer Ø5/16"		8 PCS
H	Hex Nut Ø5/16"		8 PCS
I	Hex Wrench 12mm		1 PC
J	Wood Screw #8 x 1-1/4"		10 PCS
K	Wood Cap (only for 410)		8 PCS

HARDWARE LIST: I287-407D

No.	Description	Sketch	Quantity
L	Bolt Ø1/4" x 1-1/4"		8 PCS
M	Bolt Ø1/4" x 1"		6 PCS
N	Lock Washer Ø1/4"		14 PCS
O	Flat Washer Ø1/4" X 3/4"		14 PCS
P	Allen Wrench 4mm		1 PC
Q	Wood Screw #8 x 1-1/4"		6 PCS

COMPONENTS LIST: I287-415

No.	Description	Sketch	Quantity
1	Headboard		1 PC
2	Left Leg		1 PC
3	Right Leg		1 PC
4	Wood Stretcher		1 PC
5	Center Support Leg		1 PC

COMPONENTS LIST: I287-406

No.	Description	Sketch	Quantity
1	Bed rail		2 PCS
2	Slat		5 PCS

COMPONENTS LIST: I287-410

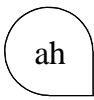
No.	Description	Sketch	Quantity
1	Bed rail		2 PCS
2	Slat		5 PCS
3	Center rail (Long)		1 PC

COMPONENTS LIST: I287-407D

No.	Description	Sketch	Quantity
1	Footboard		1 PC
2	Metal Base		1 PC
3	Support Leg (for footboard)		2 PCS
4	Support Leg (for center rail)		2 PCS
5	Decking		3 PCS
6	Center rail (Short)		1 PC
7	Filler		2 PCS

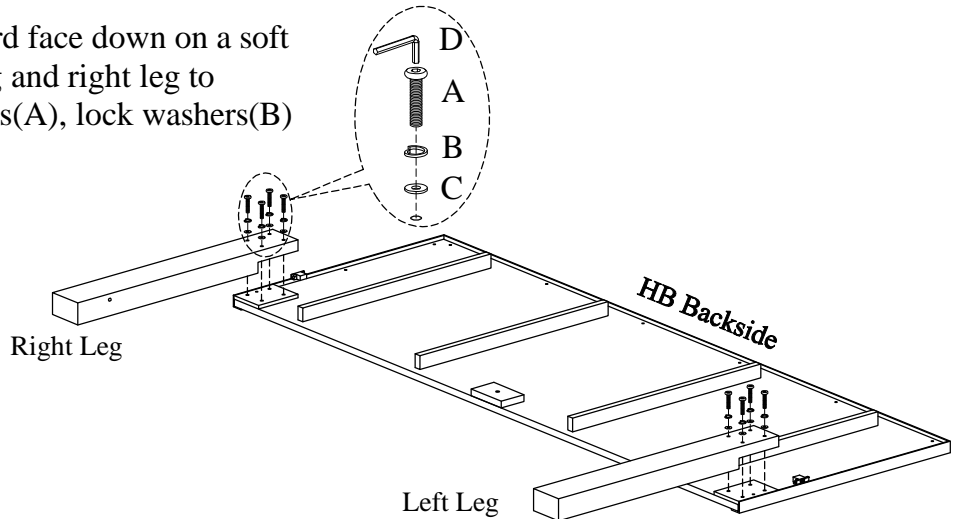
BEFORE USING THIS PRODUCT PLEASE READ, UNDERSTAND, AND FOLLOW THESE INSTRUCTIONS.
 Save these instructions for future reference.

FOR INDOOR USE ONLY

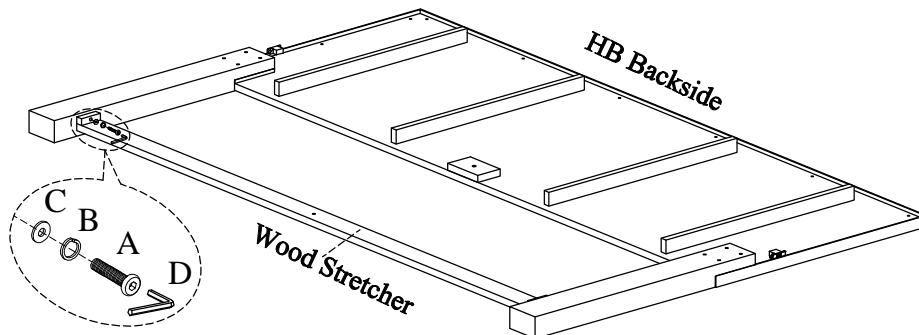


ITEM NO: I287-415 King Panel HB
 I287-406 King Rails
 I287-410 Cal King Rails
 I287-407D King Storage FB

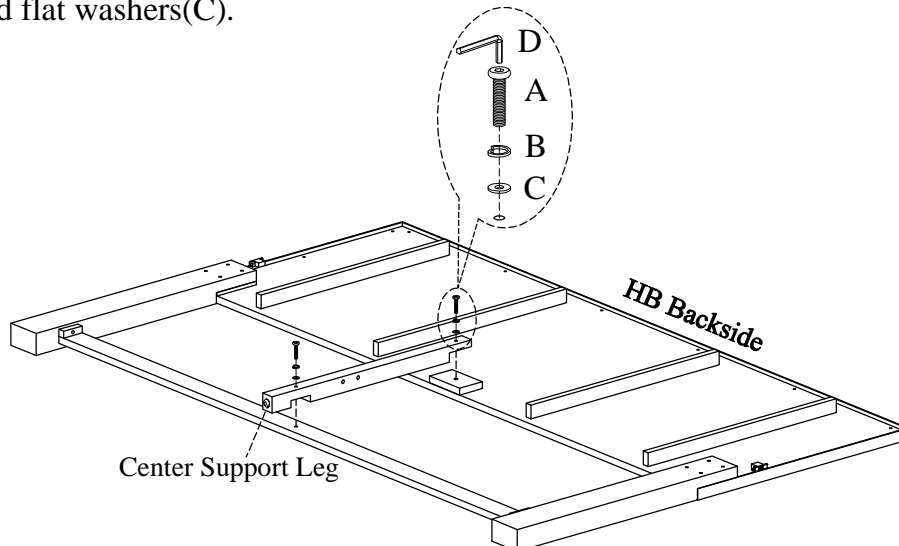
STEP 1: Lay the headboard face down on a soft surface. Attach the left leg and right leg to headboard by using 8 bolts(A), lock washers(B) and flat washers(C).

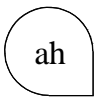


STEP 2: Attach the wood stretcher to left leg and right leg by using 2 bolts(A), lock washers(B) and flat washers(C).



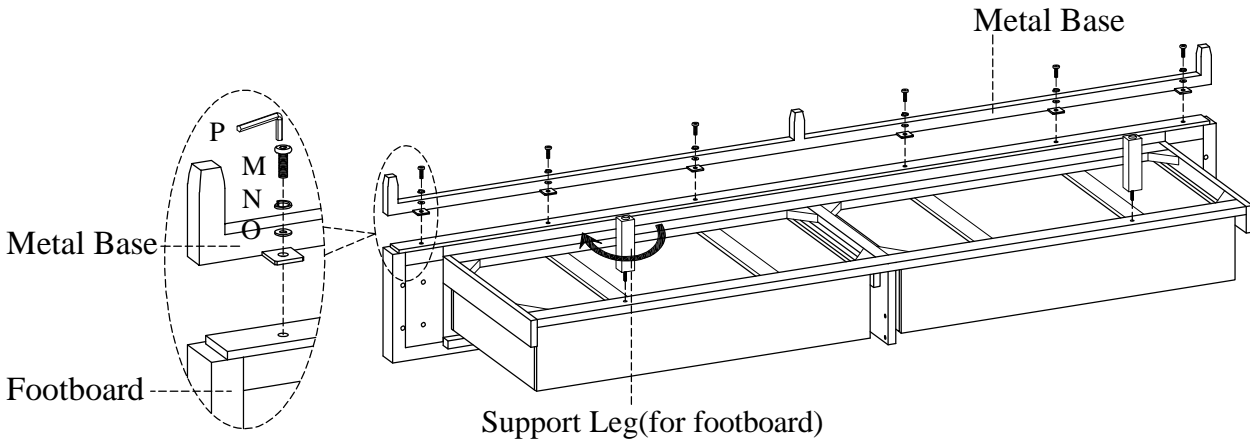
STEP 3: Attach the center support leg to headboard and wood stretcher by using 2 bolts(A), lock washers(B) and flat washers(C).



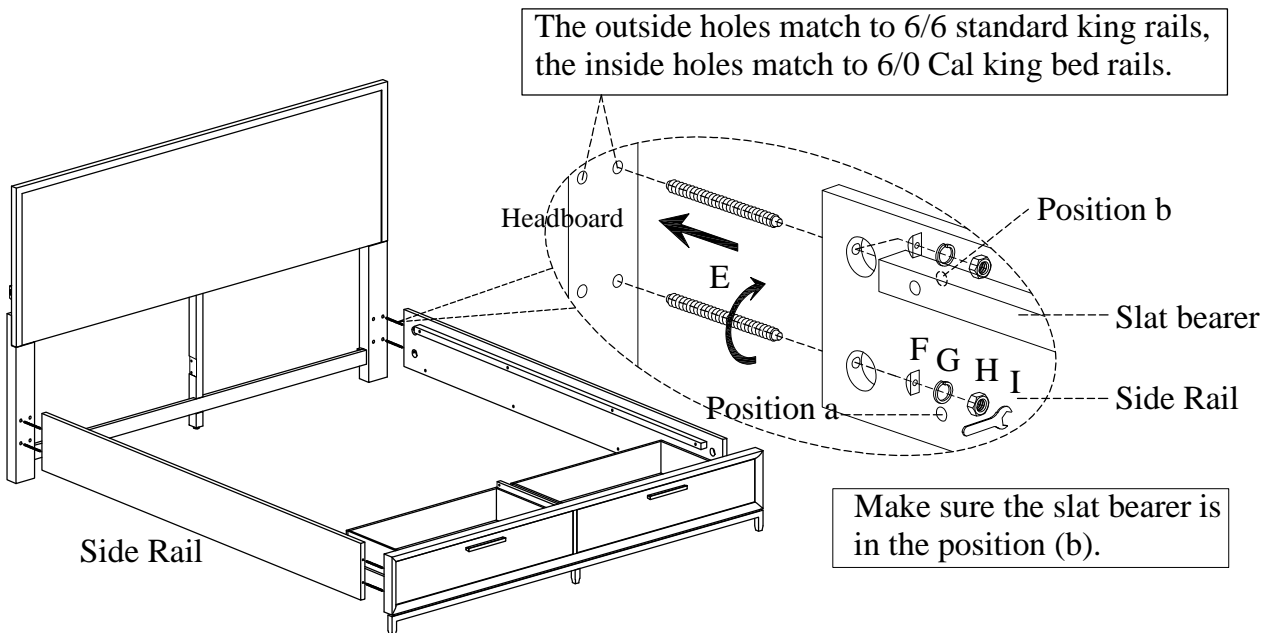


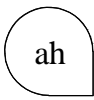
ITEM NO: I287-415 King Panel HB
 I287-406 King Rails
 I287-410 Cal King Rails
 I287-407D King Storage FB

STEP 4: Put the footboard upside down on a padded, clean surface. Attach the support legs(for footboard) and the metal base to footboard by using 6 bolts(M), lock washers(N) and flat washers(O).



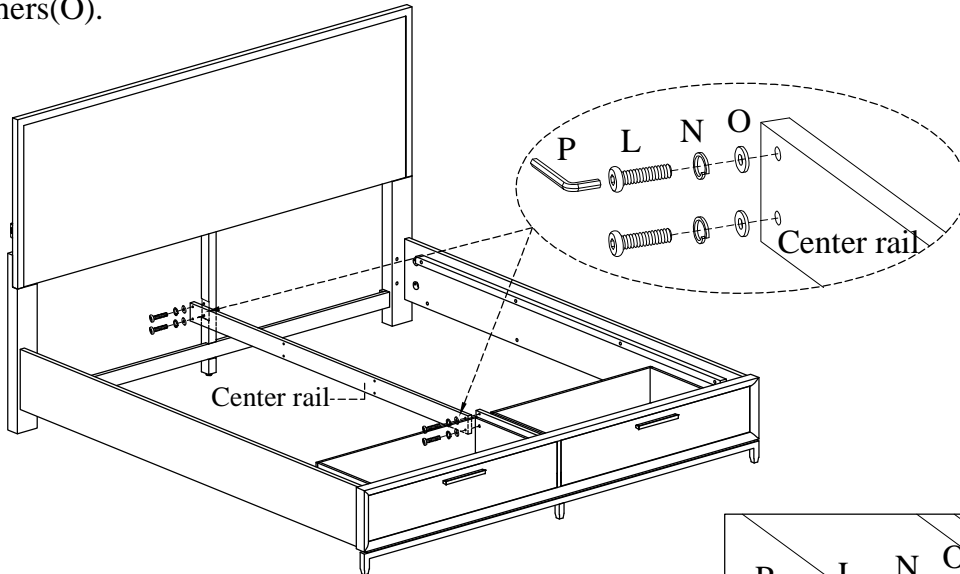
STEP 5: Screw the bolts(E) into HB & FB. Make sure the slat bearer is in the position (b). Align the bolts with the holes in the end of side rails and attach the side rails to HB & FB using half moon washers(F), lock washers(G) and nuts (H). Then use a hex wrench to tighten all the nuts.



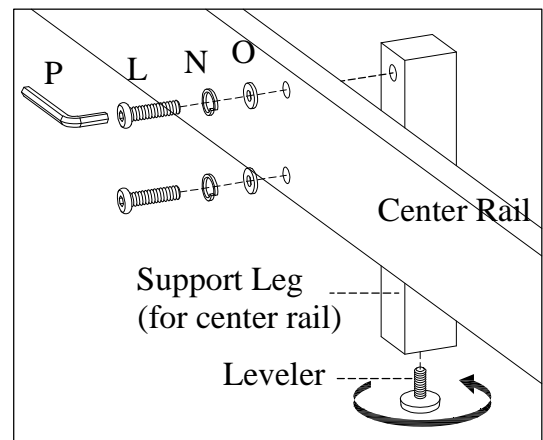


ITEM NO: I287-415 King Panel HB
 I287-406 King Rails
 I287-410 Cal King Rails
 I287-407D King Storage FB

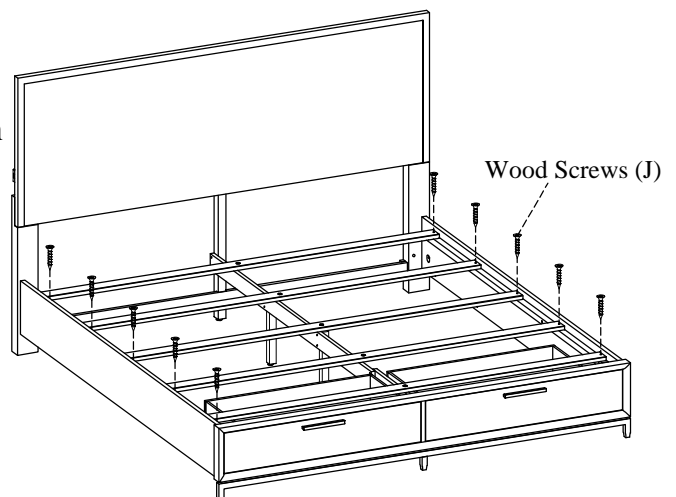
STEP 6: The standard king center rail(short) is in the Storage Footboard carton, and the Cal king center rail (long) is in the Cal King side rail carton. Attach the appropriate center rail to the footboard and center support leg of headboard using 4 bolts(L), lock washers(N) and flat washers(O).



STEP 7: Attach 2 support legs (for center rail) to the center rail using 4 bolts(L), lock washers(N) and flat washers(O). Use the Allen Wrench(P) to tighten all of the bolts.



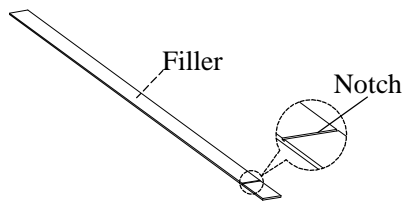
STEP 8: Arrange slats on the slat bearers and then lay the decking on top of the slats. Make sure the top and bottom slats are situated underneath the pre-drilled holes as shown below in STEP 10. Remove the decking and attach slats to the slat bearers with wood screws (J).





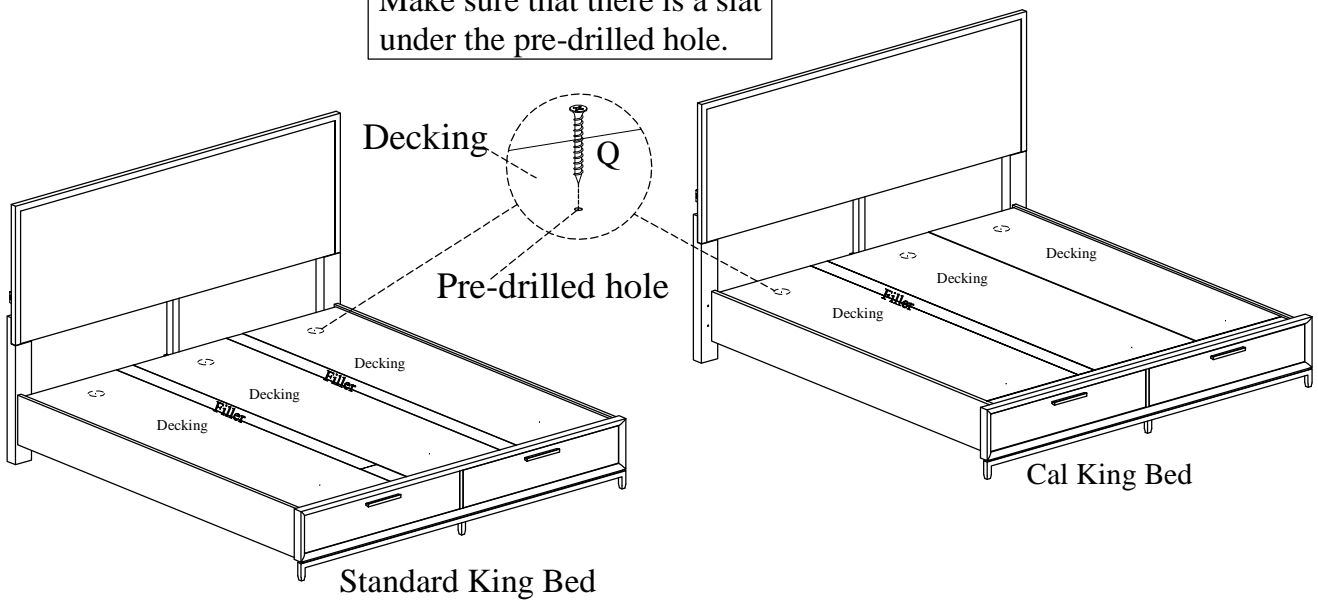
ITEM NO: I287-415 King Panel HB
 I287-406 King Rails
 I287-410 Cal King Rails
 I287-407D King Storage FB

STEP 9: For the Cal King bed, both filler boards are notched. Using a utility knife only cut off the small piece at the notch on one of the filler boards. This cut off filler board will be placed at the foot of the bed going from left to right as shown on the right side below in STEP 10. For the standard King bed, skip this step and arrange the decking boards as shown below.

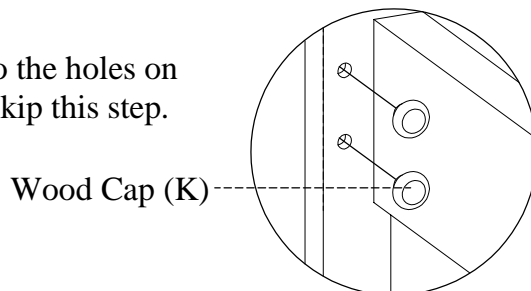


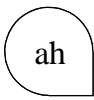
STEP 10: Put the deckings and fillers over the slats, secure deckings to the slats with wood screws (Q) through the pre-drilled holes in the deckings as shown below.

Make sure that there is a slat under the pre-drilled hole.



STEP 11: For Cal King bed, insert wood caps into the holes on headboard and footboard. For regular King bed, skip this step.





ITEM NO: I287-415 King Panel HB
I287-406 King Rails
I287-410 Cal King Rails
I287-407D King Storage FB

FUNCTIONALITY INSTRUCTION

