

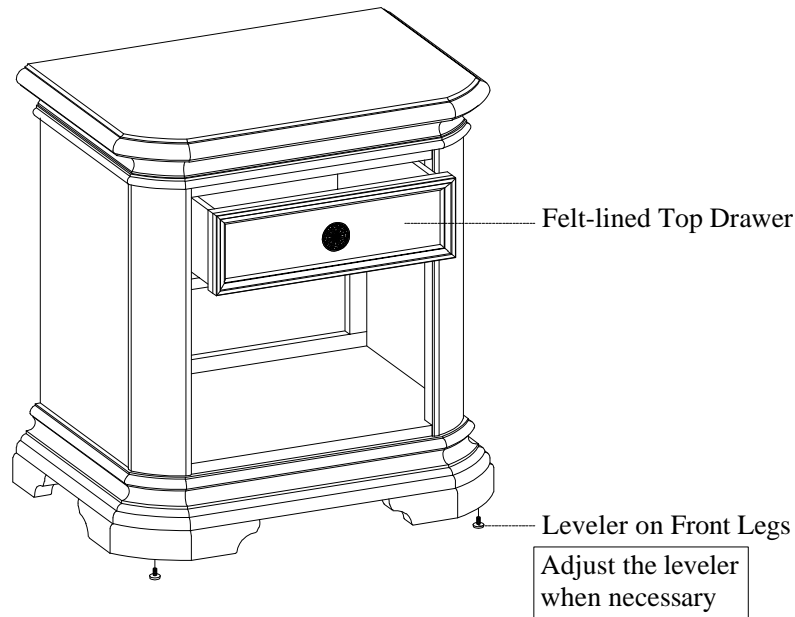
ITEM NO: I206-451 1 Drawer Nightstand

Thank you for purchasing this quality product. Be sure to check all packing material carefully for small parts that may come loose inside the carton during shipment.



TOOLS REQUIRED (NOT PROVIDED)
PHILLIPS SCREWDRIVER

FUNCTIONALITY INSTRUCTION



BEFORE USING THIS PRODUCT PLEASE READ, UNDERSTAND, AND FOLLOW THESE INSTRUCTIONS.
Save these instructions for future reference.

FOR INDOOR USE ONLY



ITEM NO: I206-451 1 Drawer Nightstand

Instruction for the Drawer with Self-Closing Slides

To remove the drawer, fully extend the drawer and press the plastic tab, then lift up the drawer to move out.

To install the drawer, please Fully extend the slides and align the slides hook to the drawer hole as shown. then press the plastic tab button the drawer rails, Push the drawer back in.

