

ELECTRIC COOKTOP INSTALLATION INSTRUCTIONS

INSTRUCTIONS D'INSTALLATION DE LA TABLE DE CUISSON ÉLECTRIQUE

INSTRUCCIONES DE INSTALACIÓN DE LA PARRILLA ELÉCTRICA

Table of Contents/Table des matières/Tabla de contenidos

| | | | |
|--|---|---|----|
| COOKTOP SAFETY | 2 | SÉCURITÉ DE LA TABLE DE CUISSON | 10 |
| INSTALLATION REQUIREMENTS | 2 | EXIGENCES D'INSTALLATION | 10 |
| Tools and Parts..... | 2 | Outils et pièces..... | 10 |
| Location Requirements | 2 | Exigences d'emplacement..... | 10 |
| Electrical Requirements | 4 | Spécifications électriques..... | 12 |
| INSTALLATION INSTRUCTIONS | 5 | INSTRUCTIONS D'INSTALLATION | 13 |
| Prepare Cooktop for Installation | 5 | Préparation de la table de cuisson pour l'installation..... | 13 |
| Install Cooktop | 5 | Installation de la table de cuisson..... | 13 |
| Make Electrical Connection | 7 | Raccordement électrique..... | 15 |
| Attach Cooktop to Countertop | 9 | Fixation de la table de cuisson au plan de travail..... | 17 |
| Complete Installation | 9 | Achever l'installation | 17 |
| | | SEGURIDAD DE LA PARRILLA ELÉCTRICA | 18 |
| | | REQUISITOS DE INSTALACIÓN | 18 |
| | | Herramientas y piezas | 18 |
| | | Requisitos de ubicación | 18 |
| | | Requisitos eléctricos..... | 20 |
| | | INSTRUCCIONES DE INSTALACIÓN | 21 |
| | | Preparación de la parrilla eléctrica para la instalación..... | 21 |
| | | Instalación de la parrilla eléctrica | 21 |
| | | Haga la conexión del suministro eléctrico..... | 23 |
| | | Cómo fijar la parrilla eléctrica al mostrador..... | 25 |
| | | Completar la instalación | 25 |

IMPORTANT:

Save for local electrical inspector's use.

IMPORTANT :

À conserver pour consultation par l'inspecteur local des installations électriques.

IMPORTANT :

Ahorre para el uso del inspector eléctrico local.

COOKTOP SAFETY

Your safety and the safety of others are very important.

We have provided many important safety messages in this manual and on your appliance. Always read and obey all safety messages.



This is the safety alert symbol.

This symbol alerts you to potential hazards that can kill or hurt you and others.

All safety messages will follow the safety alert symbol and either the word "DANGER" or "WARNING."

These words mean:

⚠ DANGER

You can be killed or seriously injured if you don't immediately follow instructions.

⚠ WARNING

You can be killed or seriously injured if you don't follow instructions.

All safety messages will tell you what the potential hazard is, tell you how to reduce the chance of injury, and tell you what can happen if the instructions are not followed.

INSTALLATION REQUIREMENTS

Tools and Parts

Gather the required tools and parts before starting installation. Read and follow the instructions provided with any tools listed here.

Tools needed

- Tape measure
- Marker or pencil
- 1/4" (6.35 mm) nut driver
- Pliers
- Flat-blade screwdriver

Parts supplied

- Foam strip roll
- 2 1/2" (6.4 cm) clamping
- Clamping brackets (2)
- Screws (2)

Parts needed

- A UL listed or CSA approved connector for 1/2" (1.3 cm) diameter conduit
- UL listed wire connectors

Check local codes. Check existing electrical supply. See the "Electrical Requirements" section.

It is recommended that all electrical connections be made by a licensed, qualified electrical installer.

Location Requirements

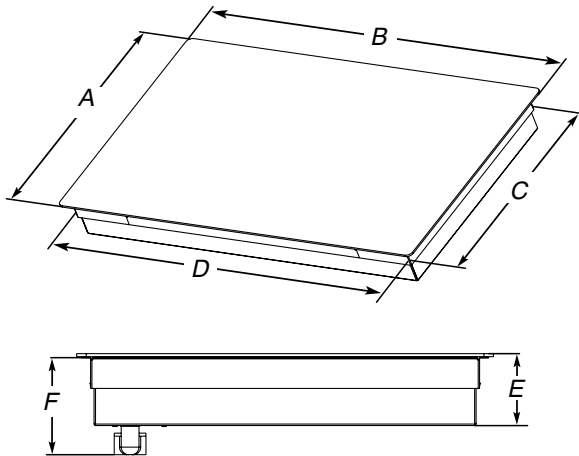
IMPORTANT: Observe all governing codes and ordinances. When installing cooktop, use minimum dimensions given.

- To eliminate the risk of burns or fire by reaching over the heated surface units, cabinet storage space located above the surface units should be avoided. If cabinet storage is to be provided, the risk can be reduced by installing a range hood that projects horizontally a minimum of 5" (12.7 cm) beyond the bottom of the cabinets.
- The cooktop must be a specified cooktop that is approved to be installed either alone or over an undercounter built-in oven. Check the cooktop base for an approved installation label. If you do not find this label, contact your dealer to confirm that your cooktop is approved.
- The cooktop must be installed in a level countertop.
- Ovens approved for this type of installation will have an approval label located on the top of the oven. If you do not find this label, contact your dealer to confirm that your oven is approved. Refer to oven manufacturer's Installation Instructions for approval for built-in undercounter use and proper cutout dimensions.

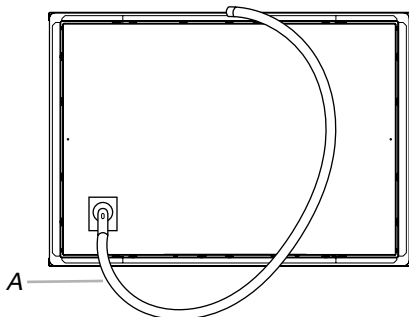
- The cooktop should be installed away from strong draft areas, such as windows, doors, fans or strong heating vents. The cooktop should be located for convenient use in the kitchen.
- Use the countertop opening dimensions that are given with these Installation Instructions. Given dimensions are minimum clearances and provide 0" (0 cm) clearance.
- Grounded electrical supply is required. See "Electrical Requirements" section.

IMPORTANT: To avoid damage to your cabinets, check with your builder or cabinet supplier to make sure that the materials used will not discolor, delaminate, or sustain other damage.

Product Dimensions



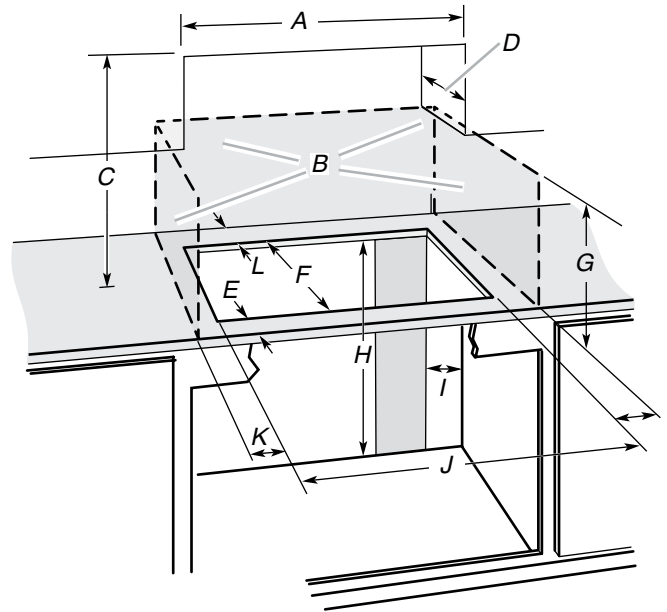
- A. Glass depth - black and white models - 21 ³/₄" (55.2 cm)
Glass depth - stainless steel models - 22 ¹/₈" (56.4 cm)
- B. Glass width - 24" (60.9 cm) models - 23 ¹³/₁₆" (60.5 cm)
Glass width - 30" (76.2 cm) models - 30 ¹³/₁₆" (78.4 cm)
Glass width - 36" (91.4 cm) models - 36 ⁵/₁₆" (92.3 cm)
- C. Frame depth - 20 ⁵/₁₆" (51.6 cm)
- D. Frame width - 24" (60.9 cm) models - 21 ⁵⁹/₆₄" (55.7 cm)
Frame width - 30" (76.2 cm) models - 29" (73.7 cm)
Frame width - 36" (91.4 cm) models - 34 ⁷/₁₆" (87.5 cm)
- E. Cooktop height with bottom heat shield - 3 ⁷/₈" (9.8 cm)
Cooktop height lighted knobs - 4 ¹⁵/₁₆" (12.55 cm)
- F. Cooktop height including conduit (located at rear of cooktop, right side) - 5" (12.7 cm)
Cooktop height lighted knobs, including conduit (located at rear of cooktop, right side) - 6 ¹/₁₆" (15.4 cm)



A. Location of Power Cord (length of power cord is 48" (121.9 cm), including the conduit)

Cabinet Dimensions

IMPORTANT: If installing a range hood or microwave hood combination above cooking surface, follow the range hood or microwave hood combination installation instructions for dimensional clearances above the cooktop surface.



- A. 24" (60.9 cm) on 24" models; 30" (76.2 cm) on 30" models; 36" (91.4 cm) on 36" models
- B. Combustible area above countertop (shown by dashed box above)
- C. 30" (76.2 cm) minimum clearance between top of cooktop platform and bottom of uncovered wood or metal cabinet (24" [61 cm] minimum clearance if bottom of wood or metal cabinet is covered by not less than ¹/₄" [0.6 cm] flame retardant millboard covered with not less than No. 28 MSG sheet steel, 0.015" [0.04 cm] stainless steel, or 0.024" [0.06 cm] aluminum or 0.020" [0.05 cm] copper)
- D. 13" (33 cm) recommended upper cabinet depth
- E. 2" (5.1 cm)
- F. 20 ¹/₂" (52.0 cm) recommended cutout.
Will fit in cutout from 20 ³/₈" - 20 ⁹/₁₆" (51.8-52.2 cm).
- G. 18" (45.7 cm) minimum clearance from upper cabinet to countertop within minimum horizontal clearances to cooktop
- H. Junction box or outlet: 7" (17.8 cm) minimum from top of countertop
- I. Junction box or outlet: 9" (23.0 cm) maximum from right side of cabinet
- J. 29 ¹/₂" (74.9 cm) recommended cutout on 30" (76.2 cm) models.
Will fit in cutout from 29 ¹/₁₆" - 29 ⁹/₁₆" (73.8-75.1 cm) on 30" (76.2 cm) models.
35 ¹/₂" (90.2 cm) recommended cutout on 36" (91.4 cm) models.
Will fit in cutout from 34 ⁹/₁₆" - 35 ⁹/₁₆" (87.8-90.3 cm) on 36" (91.4 cm) models.
22 ⁵/₁₆" (56.67 cm) recommended cutout on 24" (61.0 cm) models.
Will fit in cutout from 22 ¹/₄" - 22 ³/₇" (56.4 - 57.0 cm) on 24" (61.0 cm) models.
- K. 2 ¹/₂" (6.35 cm) minimum distance to nearest left and right side combustibles above cooktop
- L. 1 ¹/₂" (3.81 cm) minimum clearance between back wall and countertop

NOTES: After making the countertop cutout, some installations may require notching down the base cabinet side walls to clear the cooktop base. To avoid this modification, use a base cabinet with sidewalls wider than the cutout.

If cabinet has a drawer, a 5 ¹/₂" (14.0 cm) depth clearance from the top of the countertop to the top of the drawer (or other obstruction) in base cabinet is required.

Electrical Requirements

⚠ WARNING



Electrical Shock Hazard

Disconnect power before servicing.

Use 8 gauge copper wire.

Electrically ground cooktop.

Failure to follow these instructions can result in death, fire, or electrical shock.

If codes permit and a separate ground wire is used, it is recommended that a qualified electrical installer determine that the ground path and wire gauge are in accordance with local codes.

Check with a qualified electrical installer if you are not sure the cooktop is properly grounded.

Make sure that the electrical connection and wire size are adequate and in conformance with the National Electrical Code, ANSI/NFPA 70-latest edition or CSA Standards C22.1-94, Canadian Electrical Code, Part 1 and C22.2 No. O-M91-latest edition, and all local codes and ordinances.

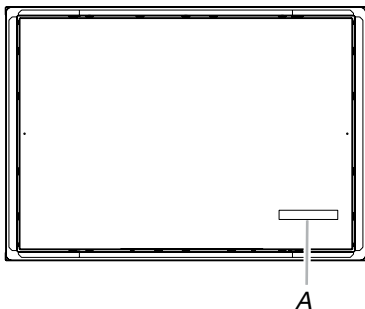
A copy of the above code standards can be obtained from:

National Fire Protection Association
1 Batterymarch Park
Quincy, MA 02169-7471
CSA International
8501 East Pleasant Valley Road
Cleveland, OH 44131-5575

Before You Make the Electrical Connection:

To properly install your cooktop, you must determine the type of electrical connection you will be using and follow the instructions provided for it here.

Use a 3-wire or 4-wire, single phase, 120/208 V or 120/240 V, 60 Hz, AC only. The model/serial number rating plate is located on the metal cabinet underneath the cooktop. See the following illustration.



A. Model/serial number plate

- The cooktop is rated for 120/208 V or 120/240 V. Some models have a neutral (white) wire.

For power requirements, refer to the following table:

| Family Model Number | Electrical Ratings at 60 Hz | |
|---------------------|-----------------------------|---------|
| | 208 V~ | 240 V~ |
| WCE55US0H | 5.0 kW | 6.7 kW |
| WCE55US4H | 5.0 kW | 6.7 kW |
| WCE55US6H | 6.0 kW | 8.0 kW |
| WCE77US0H | 6.4 kW | 8.5 kW |
| WCE77US6H | 6.4 kW | 8.5 kW |
| WCE97US0H | 6.8 kW | 9.1 kW |
| WCE97US6H | 6.8 kW | 9.1 kW |
| MEC8830H | 6.5 kW | 8.6 kW |
| MEC8836H | 7.4 kW | 9.9 kW |
| KCES550H | 7.9 kW | 10.5 kW |
| KCES556H | 7.9 kW | 10.5 kW |
| KCES950H | 7.2 kW | 9.6 kW |
| KCES956H | 7.2 kW | 9.6 kW |
| JEC3430H | 6.4 kW | 8.5 kW |
| JEC3536H | 7.9 kW | 10.5 kW |
| JEC4424H | 5.5kW | 7.3 kW |
| JEC4430H | 7.2 kW | 9.6 kW |
| JEC4536H | 7.2 kW | 9.6 kW |

- The cooktop should be connected directly to the junction box through flexible, armored or nonmetallic sheathed, copper cable. The flexible, armored cable extending from the fuse box or circuit breaker box should be connected directly to the junction box.
- Locate the junction box to allow as much slack as possible between the junction box and the cooktop so that the cooktop can be moved if servicing becomes necessary in the future.
- Do not cut the conduit. Use the length of conduit provided. A UL listed or CSA approved conduit connector must be provided at each end of the power supply cable (at the cooktop and at the junction box). A listed conduit connector is already provided at the cooktop.
- If the house has aluminum wiring follow the procedure below:
Connect the aluminum wiring using special connectors and/or tools designed and UL listed for joining copper to aluminum.

Follow the electrical connector manufacturer's recommended procedure. Aluminum/copper connection must conform with local codes and industry accepted wiring practices.

INSTALLATION INSTRUCTIONS

Prepare Cooktop for Installation

! WARNING

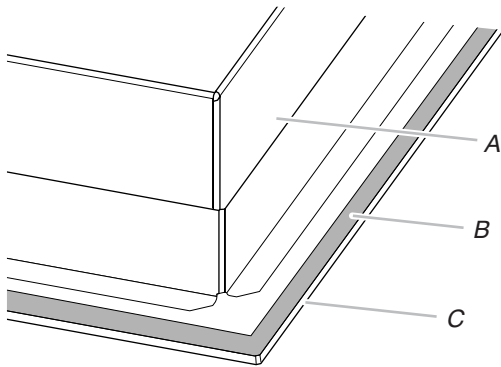
Excessive Weight Hazard

Use two or more people to move and install cooktop.
Failure to do so can result in back or other injury.

Decide on the final location for the cooktop. Avoid drilling into or severing existing wiring during installation.

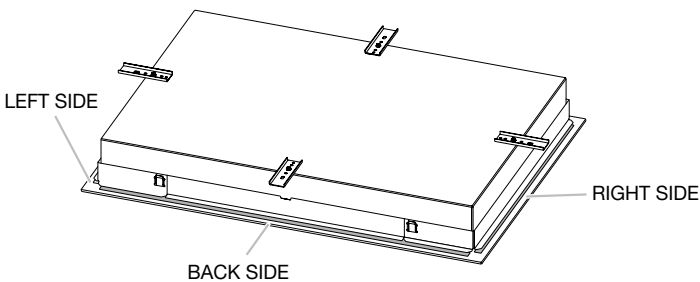
1. Using 2 or more people, place the cooktop upside down on a covered surface using the foam end posts from the packaging. Make sure that the knobs are not resting on the foam.
2. Remove foam strip roll from the package containing literature. The roll contains four ¼" (0.64 cm) strips of foam. Remove one strip at a time. Apply the foam strip adhesive around bottom of the four edges of the cooktop glass, following the edges of the glass.

NOTE: The foam strip helps avoid damage to the underside of the cooktop glass from debris and helps the cooktop sit flat on uneven counters.



A. Cooktop base
B. ¼" (0.64 cm) Foam strip
C. Cooktop

NOTE: For some models with trim on the front glass edge, apply the foam strip side down around bottom of the cooktop glass only on LEFT, RIGHT and BACK SIDE.



Install Cooktop

Style 1: Cooktop over undercounter built-in oven

IMPORTANT: Clamping brackets should not be used.

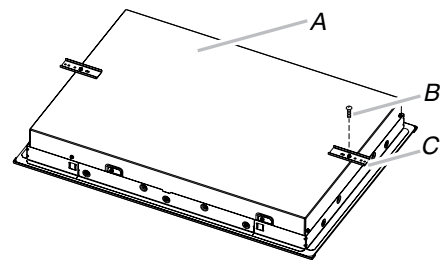
1. Using 2 or more people, place cooktop right side up into the cutout.

NOTE: Make sure that the front edge of the cooktop is parallel to the front edge of the countertop. If repositioning is needed, lift entire cooktop up from cutout to avoid scratching the countertop.

Style 2: Cooktop over cabinets

1. Determine whether your cabinet construction provides clearance for installing clamping brackets at cooktop base ends.

24" (60.9 cm), 30" (76.2 cm) and 36" (91.4 cm) traditional models

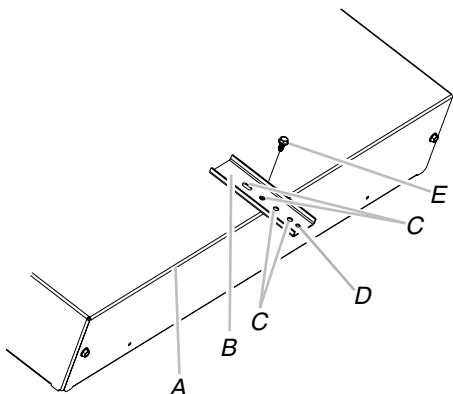


A. Cooktop base bottom
B. Attachment screw
C. Clamping bracket

2. The clamping brackets can be installed before or after the cooktop is placed into the cutout. Complete the following steps for the option you choose.

Installing Brackets Before Placing Cooktop in Cutout

1. Using 2 or more people, place the cooktop upside down on a covered surface using the foam end posts from the packaging. Make sure that the knobs are not resting on the foam.
2. Remove the attachment screws for the bracket locations from the bottom of the cooktop base.
3. Select bracket mounting holes that will allow the bracket to extend far enough out from the cooktop for the installation of 2½" (6.4 cm) clamping screws. See the "Attach Cooktop to Countertop" section for illustration of clamping screw installation.

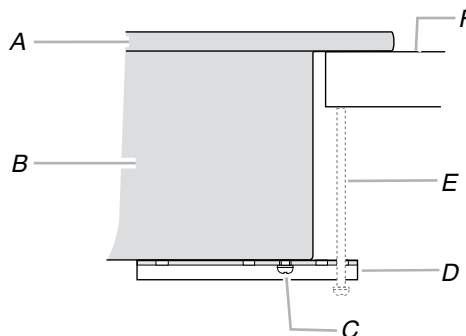


- A. Edge of cooktop base bottom
- B. Clamping bracket
- C. Bracket mounting holes
- D. Bracket clamping hole
- E. Attachment screw

4. Attach brackets to cooktop base bottom with bracket attachment screws using the bracket mounting holes selected in Step 3.
5. Rotate brackets so they do not extend beyond edge of cooktop base.
6. Tighten attachment screws enough to hold brackets in place when cooktop is placed in cutout.
7. Using 2 or more people, turn the cooktop right side up and place in cutout.
NOTE: Make sure that the front edge of the cooktop is parallel to the front edge of the countertop. If repositioning is needed, lift entire cooktop up from cutout to avoid scratching the countertop.
8. Loosen the screws and rotate the brackets so that they are perpendicular to the edge of the cooktop base and extend beyond its edge. Securely tighten screws.

Installing Brackets After Placing Cooktop in Cutout

1. Using 2 or more people, place cooktop right side up into the cutout.
NOTE: Make sure that the front edge of the cooktop is parallel to the front edge of the countertop. If repositioning is needed, lift entire cooktop up from cutout to avoid scratching the countertop.
2. Remove the attachment screws for the selected bracket locations from the bottom of the cooktop base.
3. Select bracket mounting holes that will allow the bracket to extend far enough out from the cooktop for the installation of 2½" (6.4 cm) clamping screws.



- A. Cooktop
- B. Cooktop base
- C. Attachment screw
- D. Clamping bracket (extends far enough beyond cooktop base to allow installation of clamping screws)
- E. 2½" (6.4 cm) clamping screw (to be installed in "Attach Cooktop to Countertop")
- F. Countertop

4. Attach brackets to cooktop base bottom with bracket attachment screws using the bracket mounting holes selected in Step 3. Securely tighten screws.

Make Electrical Connection

⚠️ WARNING



Electrical Shock Hazard

Disconnect power before servicing.

Use 8 gauge copper wire.

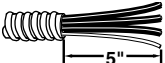
Electrically ground cooktop.

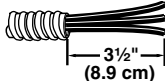
Failure to follow these instructions can result in death, fire, or electrical shock.

This cooktop is manufactured with a frame connected, green or bare ground wire. Connect the cooktop cable to the junction box through the UL listed or CSA approved conduit connector.

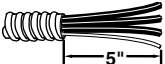
Electrical Connection Options

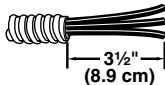
For cooktops with a 4-wire cable

| If your home has: | And you will be connecting to: | Go to Section: |
|---|---|---|
| 4-wire direct  | A fused disconnect or circuit breaker box | 4-Wire Cable from Power Supply to 4-Wire Cable from Cooktop |

| | | |
|--|---|---|
| 3-wire direct  | A fused disconnect or circuit breaker box | 3-Wire Cable from Power Supply to 4-Wire Cable from Cooktop |
|--|---|---|

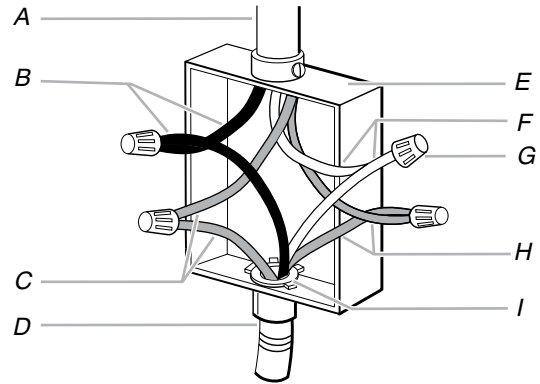
For cooktops with a 3-wire cable:

| If your home has: | And you will be connecting to: | Go to Section: |
|--|---|---|
| 4-wire direct  | A fused disconnect or circuit breaker box | 4-Wire Cable from Power Supply to 3-Wire Cable from Cooktop |

| | | |
|--|---|---|
| 3-wire direct  | A fused disconnect or circuit breaker box | 3-Wire Cable from Power Supply to 3-Wire Cable from Cooktop |
|--|---|---|

4-Wire Cable from Power Supply to 4-Wire Cable from Cooktop

IMPORTANT: Use the 4-wire cable from power supply where local codes do not permit connecting the frame-ground conductor to the neutral (white) junction box wire.

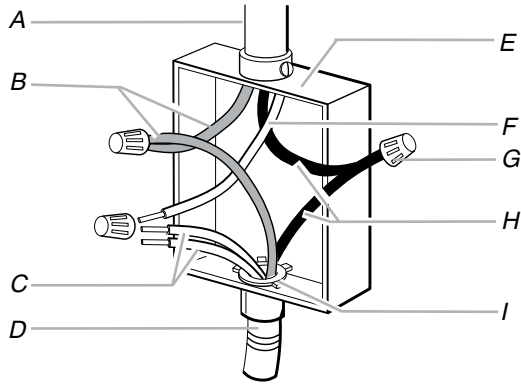


- A. 4-wire cable from power supply
- B. Black wires
- C. Bare or green wires
- D. 4-wire cable from cooktop
- E. Junction box
- F. White wires
- G. UL listed wire connector
- H. Red wires
- I. UL listed or CSA approved conduit connector

1. Disconnect power.
2. Remove junction box cover, if present.
3. Connect the flexible cable conduit from the cooktop to the junction box using a UL listed or CSA approved connector for 1/2" (1.3 cm) conduit.
4. Tighten screws on conduit connector if present.
5. Connect the two black wires together using the UL listed wire connectors.
6. Connect the two red wires together using the UL listed wire connectors.
7. Connect the two white wires together using the UL listed wire connectors.
8. Connect the green or bare ground wire from the cooktop cable to the green or bare ground wire (in the junction box) using the UL listed wire connectors.
9. Install junction box cover.
10. Reconnect power.

3-Wire Cable from Power Supply to 4-Wire Cable from Cooktop

IMPORTANT: Use the 3-wire cable from power supply where local codes permit connecting the frame-ground conductor to the neutral (white) junction box wire:

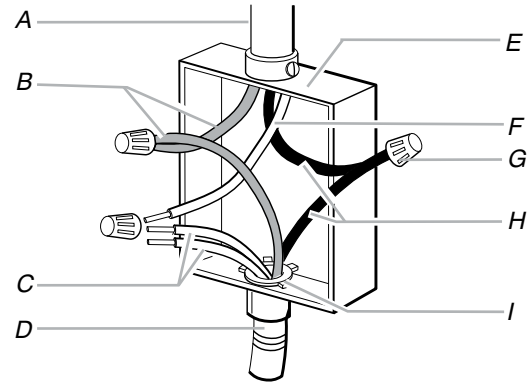


- | | |
|--|--|
| A. 3-wire cable from power supply | F. White wire (from power supply) |
| B. Red wires | G. UL listed wire connector |
| C. White and green or bare ground wires (from cooktop) | H. Black wires |
| D. 4-wire cable from cooktop | I. UL listed or CSA approved conduit connector |
| E. Junction box | |

1. Disconnect power.
2. Remove junction box cover, if present.
3. Connect the flexible, cable conduit from the cooktop to the junction box using UL listed or CSA approved conduit connector.
4. Tighten screws on conduit connector if present.
5. Connect the two black wires together using the UL listed wire connectors.
6. Connect the two red wires together using the UL listed wire connectors.
7. Connect the green or bare and white cooktop cable wires to the white (neutral) wire in the junction box using the UL listed wire connectors.
8. Connect the green or bare ground wire from the cooktop cable to the green or bare ground wire (in the junction box) using the UL listed wire connectors.
9. Install junction box cover.
10. Reconnect power.

4-Wire Cable from Power Supply to 3-Wire Cable from Cooktop

IMPORTANT: Use the 4-wire cable from power supply where local codes do not permit connecting the frame-ground conductor to the neutral (white) junction box wire:

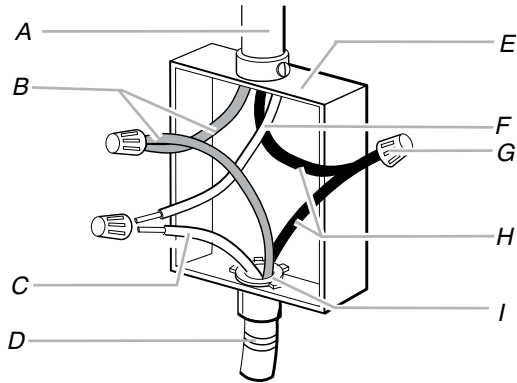


- | | |
|---|--|
| A. 4-wire cable from power supply | F. White wire (from power supply) |
| B. Red wires | G. UL listed wire connector |
| C. Green or bare ground wire (from cooktop) | H. Black wires |
| D. 3-wire cable from cooktop | I. UL listed or CSA approved conduit connector |
| E. Junction box | |

1. Disconnect power.
 2. Remove junction box cover, if present.
 3. Connect the flexible cable conduit from the cooktop to the junction box using a UL listed or CSA approved conduit connector.
 4. Tighten screws on conduit connector if present.
 5. Connect the two black wires together using the UL listed wire connectors.
 6. Connect the two red wires together using the UL listed wire connectors.
 7. Connect the green or bare ground wire from the cooktop cable to the green or bare ground wire (in the junction box) using the UL listed wire connectors.
 8. Put a UL listed wire connector on the end of the white wire.
- NOTE:** Do not connect the bare ground wire to the neutral (white) wire in the junction box.
9. Install junction box cover.
 10. Reconnect power.

3-Wire Cable from Power Supply to 3-Wire Cable from Cooktop

IMPORTANT: Use the 3-wire cable from power supply where local codes permit connecting the frame-ground conductor to the neutral (white) junction box wire:

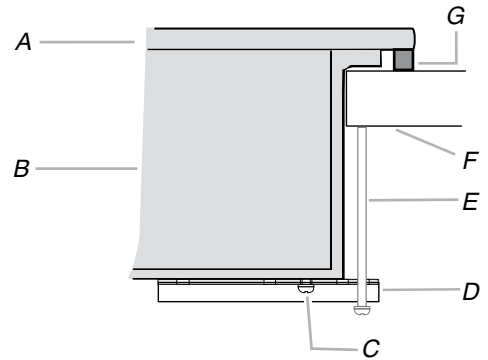


- | | |
|---|--|
| A. 3-wire cable from power supply | E. Junction box |
| B. Red wires | F. White wire (from power supply) |
| C. Green or bare ground wire (from cooktop) | G. UL listed wire connector |
| D. 3-wire cable from cooktop | H. Black wires |
| | I. UL listed or CSA approved conduit connector |

1. Disconnect power.
2. Remove junction box cover, if present.
3. Connect the flexible cable conduit from the cooktop to the junction box using a UL listed or CSA approved conduit connector.
4. Tighten screws on conduit connector if present.
5. Connect the two black wires together using the UL listed wire connectors.
6. Connect the two red wires together using the UL listed wire connectors.
7. Connect the green or bare cooktop cable wires to the white (neutral) wire in the junction box using the UL listed wire connectors.
8. Install junction box cover.
9. Reconnect power.

Attach Cooktop to Countertop

NOTE: This section applies only if you are using clamping brackets.



- | | |
|---|--------------------------------|
| A. Glass cooktop | E. 2½" (6.4 cm) clamping screw |
| B. Cooktop base | F. Countertop |
| C. Attachment screw | G. Foam seal |
| D. Clamping bracket (extends far enough beyond cooktop base to allow installation of clamping screws) | |

1. Place the 2½" (6.4 cm) clamping screws into the outermost hole in the clamping bracket.
2. Use a screwdriver to tighten the screws against the countertop. Do not overtighten.

Complete Installation

1. Check that all parts are now installed. If there is an extra part, go back through the steps to see which step was skipped.
2. Check that you have all your tools.
3. Dispose of/recycle all packaging materials.
4. Use a mild solution of liquid household cleaner and warm water to clean cooktop before use. Dry thoroughly with a soft cloth. For more information, see the "Cooktop Care" section of the Use and Care Guide.
5. Read the "Cooktop Use" section in the cooktop Use and Care Guide.
6. Reconnect power.
7. For further information about the product, read the User Instructions.

NOTE: If the cooktop does not work after turning on the power, check that a circuit breaker has not tripped or a household fuse has not blown. See "Troubleshooting" section in the Use and Care Guide for further information.

If You Need Assistance or Service:

Please reference the "Assistance or Service" section of the Use and Care Guide or contact the dealer from whom you purchased your cooktop.

SÉCURITÉ DE LA TABLE DE CUISSON

Votre sécurité et celle des autres est très importante.

Nous donnons de nombreux messages de sécurité importants dans ce manuel et sur votre appareil ménager. Assurez-vous de toujours lire tous les messages de sécurité et de vous y conformer.



Voici le symbole d'alerte de sécurité.

Ce symbole d'alerte de sécurité vous signale les dangers potentiels de décès et de blessures graves à vous et à d'autres.

Tous les messages de sécurité suivront le symbole d'alerte de sécurité et le mot "DANGER" ou "AVERTISSEMENT". Ces mots signifient :

▲ DANGER

Risque possible de décès ou de blessure grave si vous ne suivez pas immédiatement les instructions.

▲ AVERTISSEMENT

Risque possible de décès ou de blessure grave si vous ne suivez pas les instructions.

Tous les messages de sécurité vous diront quel est le danger potentiel et vous disent comment réduire le risque de blessure et ce qui peut se produire en cas de non-respect des instructions.

EXIGENCES D'INSTALLATION

Outils et pièces

Rassembler les outils et pièces nécessaires avant d'entreprendre l'installation. Lire et observer les instructions fournies avec chacun des outils de la liste ci-dessous.

Outils nécessaires

- Mètre-ruban
- Tourne-écrou de ¼" (6,35 mm)
- Marqueur ou crayon
- Pince
- Tournevis à lame plate

Pièces fournies

- Rouleau de bandes de mousse
- 2 brides de fixation
- 2 vis de fixation de 2½" (6,4 cm)

Pièces nécessaires

- Un connecteur homologué UL ou CSA pour conduit d'un diamètre de ½" (1,3 cm)
- Connecteurs de fils (homologation UL)

Consulter les codes locaux. Vérifier l'alimentation électrique existante. Voir la section "Spécifications électriques".

Il est recommandé de faire réaliser tous les raccordements électriques par un électricien qualifié agréé.

Exigences d'emplacement

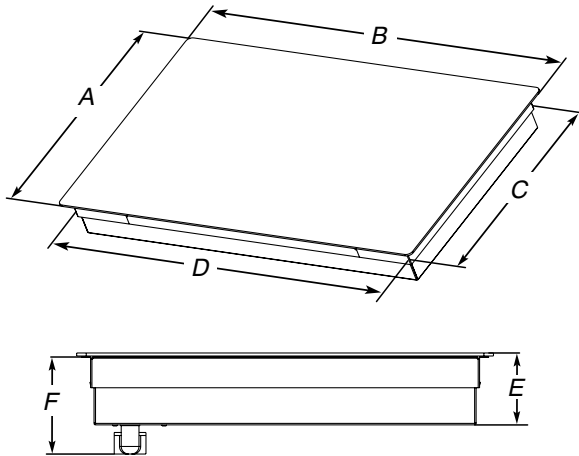
IMPORTANT : Observer les dispositions de tous les codes et règlements en vigueur. Lors de l'installation de la table de cuisson, utiliser les dimensions minimales indiquées.

- Afin de supprimer le risque de brûlures ou d'incendie en se penchant au-dessus des unités de surface chauffées, le rangement en armoire au-dessus des unités de surface doit être évité. Si des placards de rangement sont envisagés, le risque peut être réduit par l'installation d'une hotte de cuisine dépassant le bas des placards d'au moins 5" (12,7 cm) horizontalement.
- La table de cuisson doit être une table de cuisson spécifiée, et doit être approuvée pour une installation seule ou sur un four encastré sous comptoir. Vérifier que la base de la table de cuisson comporte une étiquette d'installation approuvée. Si vous ne trouvez pas cette étiquette, contactez votre vendeur pour confirmer que la table de cuisson est bien approuvée.
- La table de cuisson doit être installée dans un plan de travail qui soit d'aplomb.
- Les fours approuvés pour ce type d'installation comportent une étiquette d'approbation située sur le dessus du four. Si vous ne trouvez pas cette étiquette, contactez votre marchand pour confirmer que le four est bien approuvé. Consulter les Instructions d'installation du fabricant du four pour déterminer si l'utilisation en encastrement est approuvée et pour obtenir les dimensions correctes de l'ouverture.

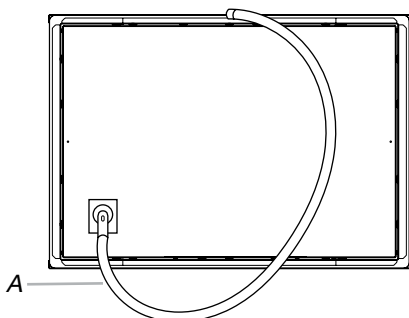
- La table de cuisson doit être installée à l'écart des zones de forts courants d'air, telles que fenêtres, portes et événements ou ventilateurs de chauffage puissants. La table de cuisson doit être installée à un endroit pratique dans la cuisine.
- Utiliser les dimensions d'ouverture du plan de travail qui sont indiquées dans ces Instructions d'installation. Les dimensions données sont les espacements minimaux et fournissent un dégagement de 0" (0 cm).
- Une source d'électricité avec liaison à la terre est nécessaire. Voir la section "Spécifications électriques".

IMPORTANT : Pour éviter tout dommage, consulter le constructeur de la maison ou le fournisseur de placards pour déterminer si les matériaux utilisés peuvent subir un changement de couleur, une déstratification ou autres dommages.

Dimensions du produit



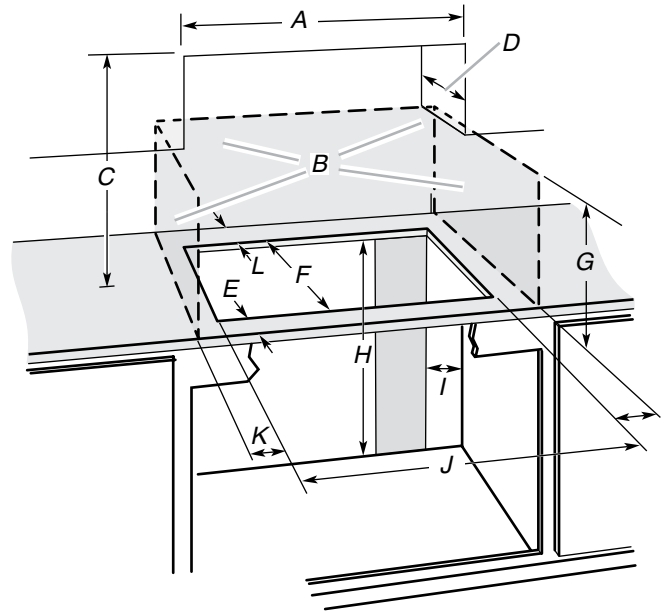
- A. Profondeur de la vitrocéramique – modèles noir et blanc – 21 ³/₄" (55,2 cm)
 Profondeur de la vitrocéramique – modèles en acier inoxydable – 22 ¹/₈" (56,4 cm)
- B. Largeur de la vitrocéramique – modèles de 24" (60,9 cm) – 23 ¹³/₁₆" (60,5 cm)
 Largeur de la vitrocéramique – modèles de 30" (76,2 cm) – 30 ⁷/₁₆" (78,4 cm)
 Largeur de la vitrocéramique – modèles de 36" (91,4 cm) – 36 ⁵/₁₆" (92,3 cm)
- C. Profondeur du cadre – 20 ⁵/₁₆" (51,6 cm)
- D. Largeur du cadre – modèles de 24" (60,9 cm) – 21 ⁵⁹/₆₄" (55,7 cm)
 Largeur du cadre – modèles de 30" (76,2 cm) – 29" (73,7 cm)
 Largeur du cadre – modèles de 36" (91,4 cm) – 34 ⁷/₁₆" (87,5 cm)
- E. Hauteur de la table de cuisson avec écran thermique inférieur – 3 ⁷/₈" (9,8 cm)
 Hauteur de la table de cuisson avec boutons illuminés – 4 ¹⁵/₁₆" (12,55 cm)
- F. Hauteur de la table de cuisson y compris le conduit (situé à l'arrière de la table de cuisson, côté droit) – 5" (12,7 cm)
 Hauteur de la table de cuisson avec boutons illuminés, y compris le conduit (situé à l'arrière de la table de cuisson, côté droit) – modèles de 6 ¹/₁₆" (15,4 cm)



- A. Emplacement du cordon d'alimentation (la longueur du cordon d'alimentation est de 48 po [121,9 cm] incluant le conduit)

Dimensions du placard

IMPORTANT : Si une hotte ou un ensemble hotte/four à micro-ondes est installé au-dessus de la surface de cuisson, suivre les instructions d'installation fournies avec la hotte ou l'ensemble hotte/four à micro-ondes concernant les dimensions de dégagement à respecter au-dessus de la surface de cuisson.



- A. 24" (60,9 cm) sur les modèles de 24"; 30" (76,2 cm) sur les modèles de 30"; 36" (91,4 cm) sur les modèles de 36"
- B. Zone de matière combustible au-dessus du plan de travail (espace délimité par des lignes pointillées ci-dessus)
- C. Distance minimale de séparation de 30" (76,2 cm) entre le dessus de la table de cuisson et le fond d'une armoire métallique ou de bois non couverte (distance de séparation de 24" [61 cm] ou plus si le fond de l'armoire de métal ou de bois est recouvert d'une plaque d'au moins ¹/₄" [0,6 cm] de matériau résistant aux flammes, lui-même recouvert d'une feuille métallique d'une épaisseur correspondant à un calibre de 28 au moins pour l'acier, 0,015" [0,04 cm] pour l'acier inoxydable, 0,024" [0,06 cm] pour l'aluminium ou 0,020" [0,05 cm] pour le cuivre)
- D. Profondeur recommandée pour les placards supérieurs : 13" (33 cm)
- E. 2" (5,1 cm)
- F. 20 ¹/₂" (52,0 cm) recommended cutout.
 Will fit in cutout from 20 ³/₈" - 20 ⁷/₁₆" (51,8-52,2 cm).
- G. Distance de séparation minimale de 18" (45,7 cm) entre le placard supérieur et le plan de travail avec distance minimale de séparation horizontale pour la table de cuisson
- H. Boîtier de connexion ou prise : 7" (17,8 cm) minimum à partir du dessus du plan de travail
- I. Boîtier de connexion ou prise : 9" (23 cm) maximum à partir de la droite du placard
- J. 29 ¹/₂" (74,9 cm) recommandé pour l'ouverture découpée sur les modèles de 30" (76,2 cm). Convient à une ouverture découpée de 29 ¹/₁₆" - 29 ⁹/₁₆" (73,8 - 90,3 cm) sur les modèles de 30" (76,2 cm). 35 ¹/₂" (90,2 cm) recommandé pour l'ouverture découpée sur les modèles de 36" (91,4 cm). Convient à une ouverture découpée de 34 ⁹/₁₆" - 35 ⁹/₁₆" (87,8 - 90,3 cm) sur les modèles de 36" (91,4 cm). 22 ⁵/₁₆" (56,67 cm) recommandé pour l'ouverture découpée sur les modèles de 24" (61,0 cm). Convient à une ouverture découpée de 22 ¹/₄" à 22 ³/₇" (56,4 cm à 57,0 cm) sur les modèles de 24" (61,0 cm)
- K. Distance de séparation minimale de 2 ¹/₂" (6,35 cm) par rapport à la surface de matériau combustible la plus proche, à gauche ou à droite au-dessus de la table de cuisson
- L. Distance de séparation minimale de 1 ¹/₂" (3,81 cm) ou plus entre la paroi arrière et le comptoir

NOTES: Après le découpage de l'ouverture dans le plan de travail, il est possible que pour certaines configurations d'installation, il soit nécessaire d'entailler les parois latérales du placard inférieur pour permettre le passage de la base de la table de cuisson. Pour éviter cette modification, utiliser un placard inférieur dont la largeur des parois latérales est supérieure à celle de l'ouverture découpée.

Si le placard comporte un tiroir, on devra ménager une distance de séparation de 5½" (14 cm) dans le sens de la profondeur entre le plan de travail et le sommet du tiroir (ou autre obstruction) à l'intérieur du placard inférieur.

Spécifications électriques

AVERTISSEMENT



Risque de choc électrique

Déconnecter la source de courant électrique avant l'entretien.

Utiliser du fil en cuivre de calibre 8.

Relier la table de cuisson à la terre.

Le non-respect de ces instructions peut causer un décès, un incendie ou un choc électrique.

Si l'on utilise un conducteur distinct de liaison à la terre et lorsque les codes le permettent, il est recommandé qu'un électricien qualifié vérifie que la liaison à la terre et la section des fils sont conformes aux codes locaux.

Vérifier avec un électricien qualifié si vous avez des doutes quant à la qualité de la liaison à la terre de la table de cuisson.

S'assurer que la connexion électrique et le calibre des fils sont appropriés et conformes au National Electrical Code, à la norme ANSI/NFPA 70 – dernière édition, ou à la norme CSA C22.1-94, au Code canadien de l'électricité, Partie 1 et C22.2 N° O-M91 – dernière édition, et à tous les codes et règlements locaux.

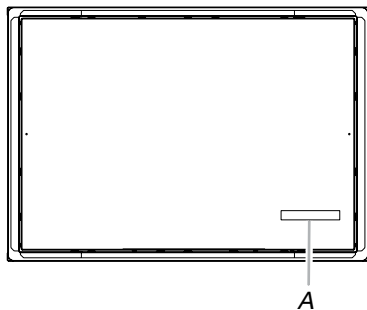
Pour obtenir un exemplaire des normes des codes ci-dessus, contacter

National Fire Protection Association
1 Batterymarch Park
Quincy, MA 02169-7471
CSA International
8501 East Pleasant Valley Road
Cleveland, OH 44131-5575

Avant d'établir la connexion électrique :

Pour installer la table de cuisson correctement, il faut établir le type de raccords électriques que l'on utilisera et suivre les instructions indiquées ici.

- Utiliser un câble une phase à 3 ou 4 fils de 120/208 V ou 120/240 V CA à 60 Hz seulement. La plaque signalétique est située sur le placard métallique, sous la table de cuisson. Voir l'illustration ci-dessous.



A. Plaque signalétique

- La table de cuisson est conçue pour le 120/208 V ou 120/240 V. Certains modèles comportent un conducteur neutre (blanc).

Pour les critères d'alimentation électrique, se reporter au tableau suivant :

| Numéro de famille de modèle | Spécifications électriques à 60 Hz | |
|-----------------------------|------------------------------------|---------|
| | 208 V~ | 240 V~ |
| WCE55US0H | 5,0 kW | 6,7 kW |
| WCE55US4H | 5,0 kW | 6,7 kW |
| WCE55US6H | 6,0 kW | 8,0 kW |
| WCE77US0H | 6,4 kW | 8,5 kW |
| WCE77US6H | 6,4 kW | 8,5 kW |
| WCE97US0H | 6,8 kW | 9,1 kW |
| WCE97US6H | 6,8 kW | 9,1 kW |
| MEC8830H | 6,5 kW | 8,6 kW |
| MEC8836H | 7,4 kW | 9,9 kW |
| KCES550H | 7,9 kW | 10,5 kW |
| KCES556H | 7,9 kW | 10,5 kW |
| KCES950H | 7,2 kW | 9,6 kW |
| KCES956H | 7,2 kW | 9,6 kW |
| JEC3430H | 6,4 kW | 8,5 kW |
| JEC3536H | 7,9 kW | 10,5 kW |
| JEC4424H | 5,5 kW | 7,3 kW |
| JEC4430H | 7,2 kW | 9,6 kW |
| JEC4536H | 7,2 kW | 9,6 kW |

- La table de cuisson doit être raccordée directement au boîtier de connexion par l'intermédiaire d'un câble flexible à conducteur de cuivre (avec blindage ou gaine non métallique). Le câble blindé flexible sortant du boîtier de distribution (fusible ou disjoncteur) doit être raccordé directement au boîtier de connexion.
- Placer le boîtier de connexion pour laisser le plus de jeu possible entre celui-ci et la table de cuisson pour pouvoir déplacer la table de cuisson en cas de besoin de réparation à l'avenir.
- Ne pas couper le conduit. Utiliser toute la longueur du conduit fourni.
- Un connecteur de conduit homologué UL ou CSA doit être fourni à chaque extrémité du câble d'alimentation électrique (à la table de cuisson et au boîtier de connexion). Un connecteur de conduit homologué est déjà fourni à la table de cuisson.
- Si le domicile est équipé d'un câblage en aluminium, suivre les instructions suivantes :
Connecter le câblage en aluminium en utilisant des connecteurs ou des outils spécialement conçus et homologués UL pour raccorder le cuivre à l'aluminium.

Suivre la procédure recommandée par le fabricant de connecteurs électriques. La connexion aluminium/cuivre doit être conforme aux codes locaux et aux pratiques de câblage acceptées par l'industrie.

INSTRUCTIONS D'INSTALLATION

Préparation de la table de cuisson pour l'installation

AVERTISSEMENT

Risque du poids excessif

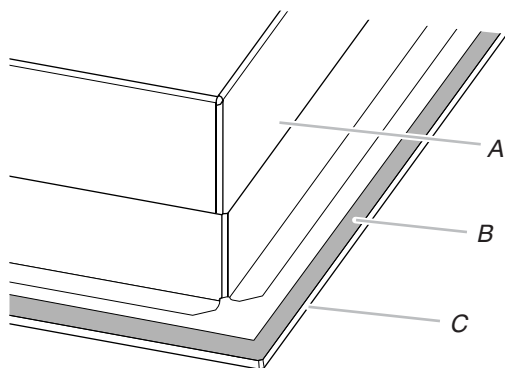
Utiliser deux ou plus de personnes pour déplacer et installer la table de cuisson.

Le non-respect de cette instruction peut causer une blessure au dos ou d'autre blessure.

Déterminer l'emplacement final de la table de cuisson. Éviter de percer dans le câblage existant ou de l'endommager pendant l'installation.

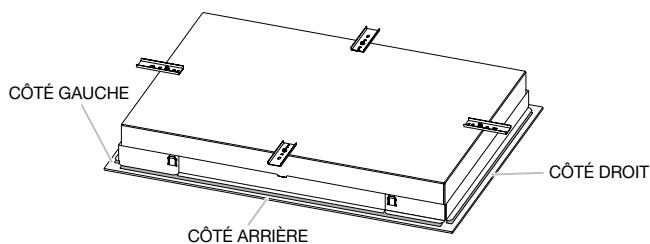
1. À l'aide de deux personnes ou plus, placer la table de cuisson à l'envers sur une surface couverte en utilisant les cornières en polystyrène de l'emballage. S'assurer que les boutons ne reposent pas sur le polystyrène.
2. Enlever le rouleau de bandes de mousse du sachet de documentation. Ce rouleau contient quatre bandes en mousse de 1/4" (0,64 cm). Retirer une seule bande à la fois. Placer les bandes de mousse adhésive autour de la base des quatre coins du verre de la table de cuisson en suivant les bords du verre.

REMARQUE : La bande de mousse aide à éviter que la face inférieure du verre de la table de cuisson ne soit endommagée par des débris et aide la table de cuisson à reposer à plat sur des plans de travail irréguliers..



A. Base de la table de cuisson
B. Bande de mousse de 1/4" (0,64 cm)
C. Table de cuisson

REMARQUE : Pour certains modèles munis d'une garniture sur le bord avant du verre, placer la bande de mousse sous le tour de la base seulement pour les CÔTÉS GAUCHE, DROIT ET ARRIÈRE seulement.



Installation de la table de cuisson

Style 1 : Table de cuisson sur four encastré sous comptoir

IMPORTANT : Ne pas utiliser de brides de fixation.

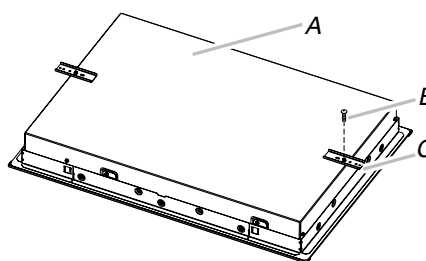
1. À l'aide d'au moins 2 personnes, placer la table de cuisson dans l'ouverture en orientant la bonne surface vers le haut.

REMARQUE : S'assurer que le bord avant de la table de cuisson est parallèle au bord avant du plan de travail. S'il est nécessaire de repositionner la table de cuisson, la soulever entièrement de l'ouverture pour éviter de rayer le plan de travail.

Style 2 : Table de cuisson sur placards

1. Déterminer si l'installation des placards permet le dégagement nécessaire pour l'installation de brides de fixation aux extrémités de la base de la table de cuisson.

24" (60,9 cm) sur les modèles de 30" (76,2 cm) et de 36" (91,4 cm)

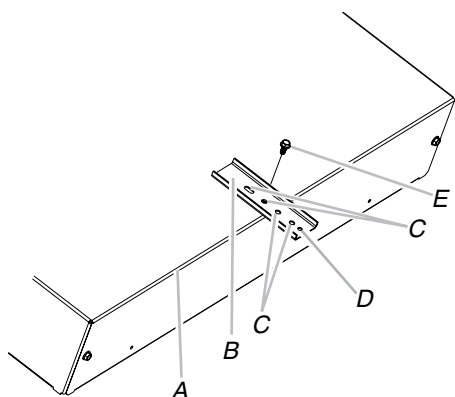


A. Partie inférieure de la base de la table de cuisson
B. Vis d'attache
C. Bride de fixation

2. Les brides de fixation peuvent être installées avant ou après le positionnement de la table de cuisson dans l'ouverture. Procéder aux étapes suivantes selon l'option choisie.

Installation des brides avant de positionner la table de cuisson dans l'ouverture

1. À l'aide de deux personnes ou plus, placer la table de cuisson à l'envers sur une surface couverte en utilisant les cornières en polystyrène de l'emballage. S'assurer que les boutons ne reposent pas sur le polystyrène.
2. Retirer les vis d'attache de la partie inférieure de la base de la table de cuisson afin de permettre l'installation des brides.
3. Sélectionner les trous de montage de la bride qui permettront à la bride de dépasser suffisamment de la table de cuisson pour l'installation des vis de fixation de 2½" (6,4 cm). Voir la section "Fixation de la table de cuisson au plan de travail" pour une illustration de l'installation des vis de fixation.

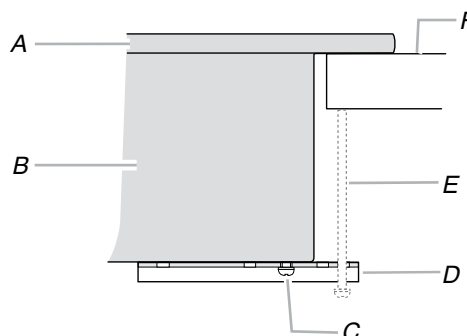


- A. Partie inférieure de la base du bord de la table de cuisson
- B. Bride de fixation
- C. Trous de montage de bride
- D. Trou de fixation de la bride
- E. Vis d'attache

4. Fixer les brides à la partie inférieure de la base de la table de cuisson à l'aide des vis d'attache en utilisant les trous de montage des brides sélectionnés à l'étape 3.
5. Faire tourner les brides de façon à ce qu'elles ne dépassent pas du bord de la base de la table de cuisson.
6. Serrer les vis d'attache juste assez pour maintenir les brides en place lorsque la table de cuisson est positionnée dans l'ouverture.
7. À l'aide d'au moins 2 personnes, placer la table de cuisson dans l'ouverture en orientant la bonne surface vers le haut.
REMARQUE : S'assurer que le bord avant de la table de cuisson est parallèle au bord avant du plan de travail. S'il est nécessaire de repositionner la table de cuisson, la soulever entièrement de l'ouverture pour éviter de rayer le plan de travail.
8. Desserrer les vis et faire tourner les brides pour qu'elles soient perpendiculaires au bord de la base de la table de cuisson et qu'elles dépassent de son bord. Bien serrer les vis.

Installation des brides après avoir positionné la table de cuisson dans l'ouverture.

1. À l'aide d'au moins 2 personnes, placer la table de cuisson dans l'ouverture en orientant la bonne surface vers le haut.
REMARQUE : S'assurer que le bord avant de la table de cuisson est parallèle au bord avant du plan de travail. S'il est nécessaire de repositionner la table de cuisson, la soulever entièrement de l'ouverture pour éviter de rayer le plan de travail.
2. Enlever les vis d'attache pour les emplacements de brides sélectionnés de la partie inférieure de la base de la table de cuisson.
3. Sélectionner les trous de montage de la bride qui permettront à la bride de dépasser suffisamment de la table de cuisson pour l'installation des vis de fixation de 2½" (6,4 cm).



- A. Table de cuisson
- B. Base de la table de cuisson
- C. Vis d'attache
- D. Bride de fixation (dépassant suffisamment de la base de la table de cuisson pour permettre l'installation des vis de fixation)
- E. Vis de fixation de 2½" (6,4 cm) (à installer à la section "Fixation de la table de cuisson au plan de travail")
- F. Plan de travail

4. Fixer les brides à la partie inférieure de la base de la table de cuisson à l'aide des vis d'attache en utilisant les trous de montage des brides sélectionnés à l'étape 3. Bien serrer les vis.

Raccordement électrique

⚠ AVERTISSEMENT



Risque de choc électrique

Déconnecter la source de courant électrique avant l'entretien.

Utiliser du fil en cuivre de calibre 8.

Relier la table de cuisson à la terre.

Le non-respect de ces instructions peut causer un décès, un incendie ou un choc électrique.

Un conducteur vert ou nu de liaison à la terre est connecté au châssis de la table de cuisson lors de la fabrication. Raccorder le câble de la table de cuisson au boîtier de connexion à l'aide du connecteur de conduit homologué UL ou CSA.

Options de raccordement électrique

Pour les tables de cuisson avec câble à 4 conducteurs :

Si le domicile comporte :

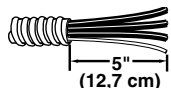
Point de distribution :

Voir la section suivante :

Direct – 4 conducteurs

Disjoncteur ou coupe-circuit avec fusible

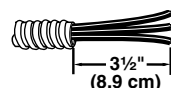
Câble à 4 conducteurs depuis le point de distribution jusqu'au câble à 4 conducteurs depuis la table de cuisson



Direct – 3 conducteurs

Disjoncteur ou coupe-circuit avec fusible

Câble à 3 conducteurs depuis le point de distribution jusqu'au câble à 4 conducteurs depuis la table de cuisson



Pour les tables de cuisson avec câble à 3 conducteurs :

Si le domicile comporte :

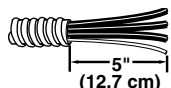
Point de distribution :

Voir la section suivante :

Direct – 4 conducteurs

Disjoncteur ou coupe-circuit avec fusible

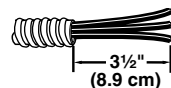
Câble à 4 conducteurs depuis le point de distribution jusqu'au câble à 3 conducteurs depuis la table de cuisson



Direct – 3 conducteurs

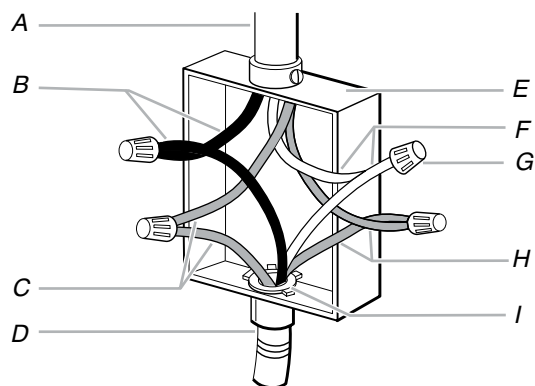
Disjoncteur ou coupe-circuit avec fusible

Câble à 3 conducteurs depuis le point de distribution jusqu'au câble à 3 conducteurs depuis la table de cuisson



Câble à 4 conducteurs depuis le point de distribution jusqu'au câble à 4 conducteurs depuis la table de cuisson

IMPORTANT : Si les codes locaux ne permettent pas le raccordement du conducteur de liaison à la terre au conducteur neutre (blanc) dans le boîtier de connexion, utiliser le câble à 4 conducteurs provenant du point de distribution.

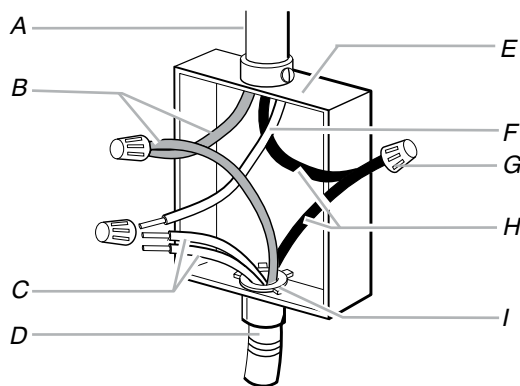


- A. Câble à 4 conducteurs depuis le point de distribution
- B. Conducteurs noirs
- C. Conducteurs verts ou nus
- D. Câble à 4 conducteurs depuis la table de cuisson
- E. Boîtier de connexion
- F. Connecteurs blancs (homologation UL)
- G. Connecteur de fils (homologation UL)
- H. Conducteurs rouges
- I. Connecteur de conduit (homologation UL ou CSA)

1. Déconnecter la source de courant électrique.
2. Enlever le couvercle du boîtier de connexion, le cas échéant.
3. Avec le connecteur de conduit (homologation UL ou CSA) pour conduit de $\frac{1}{2}$ " (1,3 cm), connecter le conduit de câble flexible de la table de cuisson au boîtier de connexion.
4. Serrer les vis du connecteur de conduit, le cas échéant.
5. Connecter ensemble les deux conducteurs noirs avec un connecteur de fils (homologation UL).
6. Connecter ensemble les deux conducteurs rouges avec les connecteurs de fils (homologation UL).
7. Connecter ensemble les deux conducteurs blancs avec les connecteurs de fils (homologation UL).
8. Connecter le conducteur vert ou nu de liaison à la terre du câble de la table de cuisson avec le conducteur vert ou nu de liaison à la terre (dans le boîtier de connexion) avec les connecteurs de fils (homologation UL).
9. Installer le couvercle du boîtier de connexion.
10. Reconnecter la source de courant électrique.

Câble à 3 conducteurs depuis le point de distribution jusqu'au câble à 4 conducteurs depuis la table de cuisson

IMPORTANT: Utiliser le câble à 3 conducteurs depuis le point de distribution lorsque les codes locaux locaux en vigueur permettent le raccordement entre le conducteur de liaison à la terre du châssis et le conducteur neutre (blanc) dans le boîtier de connexion.

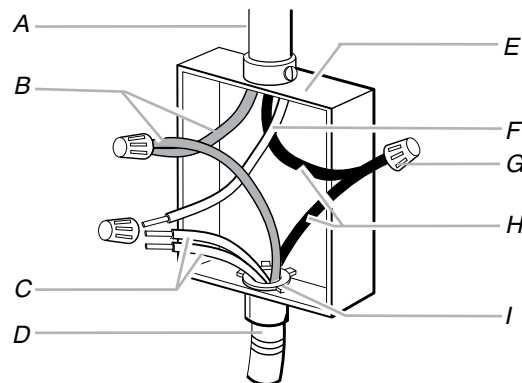


- | | |
|---|---|
| A. Câble à 3 conducteurs depuis le point de distribution | F. Conducteur blanc (depuis le point de distribution) |
| B. Conducteurs rouges | G. Connecteur de fils (homologation UL) |
| C. Conducteurs blanc et vert ou nu de liaison à la terre (depuis la table de cuisson) | H. Conducteurs noirs |
| D. Câble à 4 conducteurs depuis la table de cuisson | I. Connecteur de conduit (homologation UL ou CSA) |
| E. Boîtier de connexion | |

- Déconnecter la source de courant électrique.
- Le cas échéant, enlever le couvercle du boîtier de connexion.
- Connecter le conduit de câble flexible de la table de cuisson au boîtier de connexion avec un connecteur de conduit (homologation UL ou CSA).
- Serrer les vis du connecteur de conduit, le cas échéant.
- Connecter ensemble les deux conducteurs noirs avec un connecteur de fils (homologation UL).
- Connecter ensemble les deux conducteurs rouges avec les connecteurs de fils (homologation UL).
- Connecter le conducteur vert ou nu et le conducteur blanc de la table de cuisson au conducteur blanc (neutre) dans le boîtier de connexion avec les connecteurs de fils (homologation UL).
- Installer le couvercle du boîtier de connexion.
- Reconnecter la source de courant électrique.

Câble à 4 conducteurs depuis le point de distribution jusqu'au câble à 3 conducteurs depuis la table de cuisson

IMPORTANT : Si les codes locaux ne permettent pas le raccordement du conducteur de liaison à la terre au conducteur blanc (neutre) dans le boîtier de connexion, utiliser le câble à 4 conducteurs provenant du point de distribution :

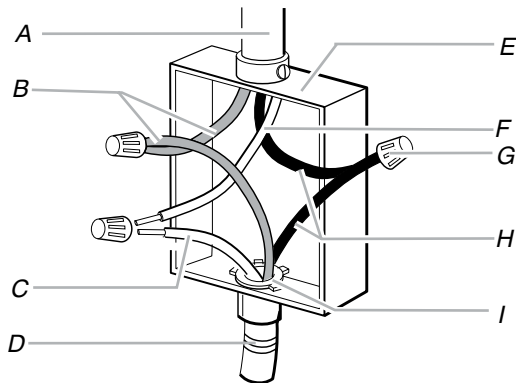


- | | |
|---|---|
| A. Câble à 4 conducteurs depuis le point de distribution | F. Conducteur blanc (depuis le point de distribution) |
| B. Conducteurs rouges | G. Connecteur de fils (homologation UL) |
| C. Conducteur vert (ou nu) de liaison à la terre depuis la table de cuisson | H. Conducteurs noirs |
| D. Câble à 3 conducteurs depuis la table de cuisson | I. Connecteur de conduit (homologation UL ou CSA) |
| E. Boîtier de connexion | |

- Déconnecter la source de courant électrique.
 - Le cas échéant, enlever le couvercle du boîtier de connexion.
 - Avec le connecteur de conduit (homologation UL ou CSA), connecter le conduit de câble flexible de la table de cuisson au boîtier de connexion.
 - Serrer les vis du connecteur de conduit, le cas échéant.
 - Connecter ensemble les deux conducteurs noirs avec un connecteur de fils (homologation UL).
 - Connecter ensemble les deux conducteurs rouges avec les connecteurs de fils (homologation UL).
 - Connecter le conducteur vert ou nu de liaison à la terre du câble de la table de cuisson avec le conducteur vert ou nu de liaison à la terre (dans le boîtier de connexion) avec les connecteurs de fils (homologation UL).
 - Placer un connecteur de fils (homologation UL) à l'extrémité du conducteur blanc.
- REMARQUE :** Ne pas connecter le conducteur nu de liaison à la terre au conducteur neutre (blanc) dans le boîtier de connexion.
- Installer le couvercle du boîtier de connexion.
 - Reconnecter la source de courant électrique.

Câble à 3 conducteurs depuis le point de distribution jusqu'au câble à 3 conducteurs depuis la table de cuisson

IMPORTANT: Utiliser le câble à 3 conducteurs depuis le point de distribution lorsque le code local en vigueur permet le raccordement entre le conducteur de liaison à la terre du châssis et le conducteur neutre (blanc) dans le boîtier de connexion:

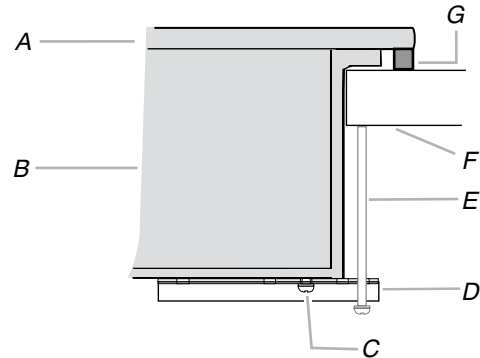


- | | |
|---|---|
| A. Câble à 3 conducteurs depuis le point de distribution | E. Boîtier de connexion |
| B. Conducteurs rouges | F. Conducteur blanc (depuis le point de distribution) |
| C. Conducteur vert (ou nu) de liaison à la terre depuis la table de cuisson | G. Connecteur de fils (homologation UL) |
| D. Câble à 3 conducteurs depuis la table de cuisson | H. Conducteurs noirs |
| | I. Connecteur de conduit (homologation UL ou CSA) |

1. Déconnecter la source de courant électrique.
2. Enlever le couvercle du boîtier de connexion, le cas échéant.
3. Avec le connecteur de conduit (homologation UL ou CSA), connecter le conduit de câble flexible de la table de cuisson au boîtier de connexion.
4. Serrer les vis du connecteur de conduit, le cas échéant.
5. Connecter ensemble les deux conducteurs noirs avec un connecteur de fils (homologation UL).
6. Connecter ensemble les deux conducteurs rouges avec les connecteurs de fils (homologation UL).
7. Connecter le conducteur vert ou nu de la table de cuisson au conducteur blanc (neutre) dans le boîtier de connexion avec les connecteurs de fils (homologation UL).
8. Installer le couvercle du boîtier de connexion.
9. Reconnecter la source de courant électrique.

Fixation de la table de cuisson au plan de travail

REMARQUE : Cette section s'applique uniquement en cas d'utilisation de brides de fixation.



- | | |
|---|------------------------------------|
| A. Table de cuisson en verre | E. Vis de fixation de 2½" (6,4 cm) |
| B. Base de la table de cuisson | F. Plan de travail |
| C. Vis d'attache | G. Bande de mousse |
| D. Bride de fixation (dépassant suffisamment de la base de la table de cuisson pour permettre l'installation des vis de fixation) | |

1. Placer les vis de fixation de 2½" (6,4 cm) dans le trou le plus à l'extérieur de la bride.
2. À l'aide d'un tournevis à lame plate, serrer les vis sur le plan de travail. Ne pas serrer excessivement.

Achever l'installation

1. Vérifier que toutes les pièces sont maintenant installées. S'il reste une pièce, passer en revue les différentes étapes pour découvrir laquelle aurait été oubliée.
2. Vérifier la présence de tous les outils.
3. Éliminer/recycler les matériaux d'emballage.
4. Avant d'utiliser la table de cuisson, utiliser une solution douce de nettoyant domestique et d'eau tiède pour la nettoyer. Sécher parfaitement avec un linge doux. Pour plus de renseignements, voir la section "Entretien de la table de cuisson" du Guide d'utilisation et d'entretien.
5. Lire "Utilisation de la table de cuisson" dans le Guide d'utilisation et d'entretien de la table de cuisson.
6. Reconnecter la source de courant électrique.
7. Pour obtenir plus d'informations au sujet de ce produit, lire les instructions d'utilisation du gril électrique Annex.

REMARQUE : Si la table de cuisson ne fonctionne pas après la mise sous tension, vérifier que le disjoncteur ne s'est pas déclenché ou que les fusibles ne sont pas grillés. Voir la section "Dépannage" dans le Guide d'utilisation et d'entretien pour plus de renseignements.

Si vous avez besoin d'assistance ou de service :

Consulter la section "Assistance ou service" du Guide d'utilisation et d'entretien ou contacter le marchand auprès duquel la table de cuisson a été achetée.

SEGURIDAD DE LA PARRILLA ELÉCTRICA

Su seguridad y la seguridad de los demás es muy importante.

Hemos incluido muchos mensajes importantes de seguridad en este manual y en su electrodoméstico. Lea y obedezca siempre todos los mensajes de seguridad.



Este es el símbolo de alerta de seguridad.

Este símbolo le llama la atención sobre peligros potenciales que pueden ocasionar la muerte o una lesión a usted y a los demás.

Todos los mensajes de seguridad irán a continuación del símbolo de advertencia de seguridad y de la palabra "PELIGRO" o "ADVERTENCIA". Estas palabras significan:

⚠ PELIGRO

Si no sigue las instrucciones de inmediato, usted puede morir o sufrir una lesión grave.

⚠ ADVERTENCIA

Si no sigue las instrucciones, usted puede morir o sufrir una lesión grave.

Todos los mensajes de seguridad le dirán el peligro potencial, le dirán cómo reducir las posibilidades de sufrir una lesión y lo que puede suceder si no se siguen las instrucciones.

REQUISITOS DE INSTALACIÓN

Herramientas y piezas

Reúna las herramientas y las piezas necesarias antes de comenzar la instalación. Lea y siga las instrucciones provistas con cualquiera de las herramientas detalladas aquí.

Herramientas necesarias

- Cinta métrica
- Marcador o lápiz
- Sacatuercas de 1/4" (6,35 mm)
- Alicata
- Destornillador de hoja plana

Piezas suministradas

- Rollo de cinta de espuma
- Abrazadera de 2 1/2" (6,4 cm).
- Soportes de abrazadera (2)
- tornillos (2)

Piezas necesarias

- Un conector de conducto homologado por UL o aprobado por la CSA de 1/2" (1,3 cm) de diámetro.

- Conectores para alambres que estén en la lista de UL

Verifique los códigos locales. Compruebe el suministro eléctrico existente. Vea la sección "Requisitos eléctricos".

Es recomendable que todas las conexiones eléctricas sean hechas por un instalador eléctrico competente autorizado.

Requisitos de ubicación

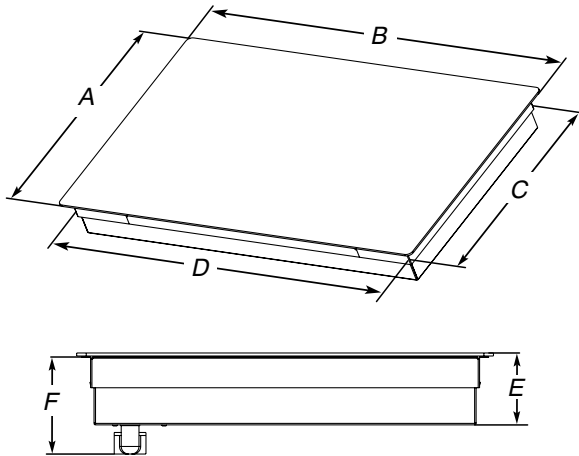
IMPORTANTE: Respete todos los códigos y las ordenanzas vigentes. Cuando instale la parrilla eléctrica use las dimensiones mínimas que se dan.

- Para eliminar el riesgo de quemaduras o incendio al tocar unidades con la superficie demasiado caliente, deberá evitarse el uso de armarios de almacenamiento encima de las unidades. Si van a proveerse armarios, puede reducir el riesgo instalando una capota de ventilación que se proyecte horizontalmente un mínimo de 5" (12,7 cm) sobresaliendo de la base de los armarios.
- La parrilla eléctrica deberá ser una parrilla eléctrica especificada, aprobada para ser instalada ya sea por sí misma o sobre un horno empotrado debajo del mostrador. Fíjese en la base de la parrilla eléctrica para ver la etiqueta de instalación aprobada. Si no encuentra esta etiqueta, póngase en contacto con su distribuidor para confirmar que la parrilla eléctrica esté aprobada.
- Debe instalar la parrilla eléctrica en un mostrador nivelado.
- Los hornos que hayan sido aprobados para este tipo de instalación deberán tener la etiqueta de aprobación ubicada en la parte superior del horno. Si no encuentra esta etiqueta, póngase en contacto con su distribuidor para confirmar que el horno esté aprobado. Tome como referencia las Instrucciones de instalación del fabricante del horno para obtener la aprobación del uso el horno empotrado debajo del mostrador y para las dimensiones apropiadas de corte.

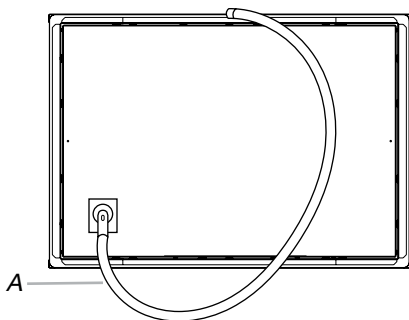
- Deberá instalarse la parrilla eléctrica lejos de zonas con corrientes fuertes de aire, tales como ventanas, puertas, ventiladores u orificios de calefacción fuertes. Deberá colocar la parrilla eléctrica en un lugar conveniente de la cocina para su uso.
- Use las medidas de abertura del mostrador provistas con estas Instrucciones de instalación. Las medidas provistas son para espacios mínimos y proporcionan 0" (0 cm) de espacio.
- Se requiere un suministro eléctrico conectado a tierra. Consulte la sección "Requisitos eléctricos".

IMPORTANTE: Para evitar daños a los armarios, verifique con el constructor o el distribuidor de los armarios para asegurarse de que los materiales empleados no cambien de color, no desprendan el laminado ni sufran ningún otro tipo de daño.

Dimensiones del producto



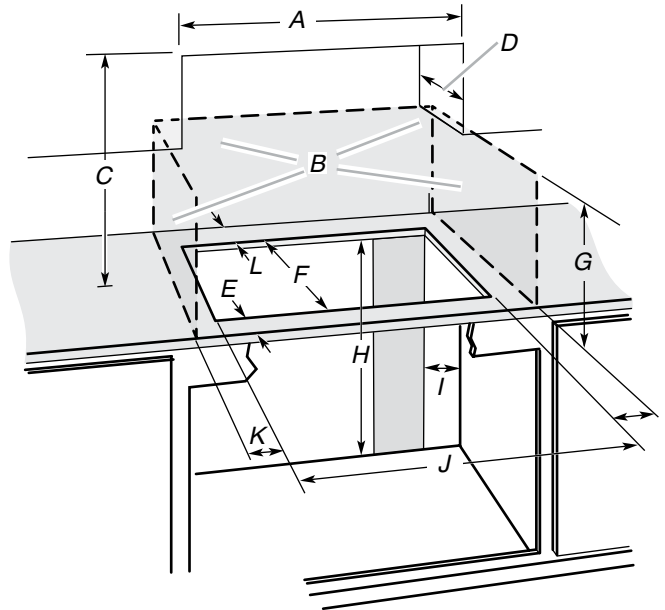
- A. Profundidad del vidrio - modelos en blanco y negro - 21³/₄" (55,2 cm)
Profundidad del vidrio - modelos de acero inoxidable - 22¹/₈" (56,4 cm)
- B. Ancho del vidrio - 24" (60,9 cm) - modelos de 23¹³/₁₆" (60,5 cm)
Ancho del vidrio - modelos de 30" (76,2 cm) - 30¹³/₁₆" (78,4 cm)
Ancho del vidrio - modelos de 36" (91,4 cm) - 36⁵/₁₆" (92,3 cm)
- C. Profundidad del marco - 20⁵/₁₆" (51,5 cm)
- D. Ancho del marco - 24" (60,9 cm) - modelos de 21⁵⁹/₆₄" (55,7 cm)
Ancho del marco - modelos de 30" (76,2 cm) - 29" (73,7 cm)
Ancho del marco - modelos de 36" (91,4 cm) - 34⁷/₁₆" (87,5 cm)
- E. Altura de la cocina con protección térmica inferior - 3⁷/₈" (9,8 cm)
Perillas iluminadas a la altura de la parrilla eléctrica - 4¹⁵/₁₆" (12,55 cm)
- F. Altura de la parrilla eléctrica incluido el conducto (ubicado en la parte de atrás de la parrilla eléctrica, en el lado derecho) - modelos de 5" (12,7 cm)
Perillas iluminadas a la altura de la parrilla eléctrica, con conducto (en lado posterior a la derecha) - modelos de 6¹/₁₆" (15,4 cm)



- A. Ubicación del cable eléctrico (la longitud del cable eléctrico es de 48" (121,9 cm), incluido el conducto)

Dimensiones del armario

IMPORTANTE: Si va a instalar una campana para estufa o una combinación de microondas y campana sobre la parrilla eléctrica, siga las instrucciones de instalación incluidas con la campana para estufa o la combinación de microondas y campana para ver las medidas de los espacios sobre la parrilla eléctrica.



- A. 24" (60,9 cm) en modelos de 24"; 30" (76,2 cm) en modelos de 30"; 36" (91,4 cm) en modelos de 36"
- B. Área de combustible sobre la parrilla eléctrica (se muestra la caja con líneas punteadas, arriba)
- C. 30" (76,2 cm) mínimo de espacio entre la plataforma de la parrilla eléctrica y la parte inferior del armario de madera o metal descubierto y (24" [61 cm] mínimo de espacio cuando la base del armario de madera o metal esté cubierta por cartón de combustión lenta de no menos de 1/4" [0,6 cm] cubierto de lámina de acero de no menos de N.º 28 MSG, acero inoxidable de 0,015" [0,04 cm], aluminio de 0,024" [0,06 cm] o cobre de 0,020" [0,05 cm])
- D. 13" (33 cm) recomendado de profundidad del armario superior
- E. 2" (5,1 cm)
- F. Corte recomendado de 20¹/₂" (52,0 cm).
Encajará en recorte de 20³/₈"-20⁹/₁₆" (51,8-52,2 cm).
- G. 18" (45,7 cm) de espacio mínimo entre el armario superior y el mostrador, dentro de los espacios horizontales mínimos a la parrilla eléctrica
- H. Caja de empalmes o tomacorriente: 7" (17,8 cm) mínimo desde la parte superior del mostrador
- I. Caja de empalmes o tomacorriente: 9" (23,0 cm) como máximo desde el lado derecho del armario
- J. Recorte recomendado de 29¹/₂" (74,9 cm) en modelos de 30" (76,2 cm). Encajará en recorte de 29¹/₁₆"-29⁹/₁₆" (73,8-75,1 cm) en modelos de 30" (76,2 cm).
Recorte recomendado de 35¹/₂" (90,2 cm) en modelos de 36" (91,4 cm).
Encajará en recorte de 34⁹/₁₆"-35⁹/₁₆" (87,8-90,3 cm) en modelos de 36" (91,4 cm).
Recorte recomendado de 22⁵/₁₆" (56,67 cm) en 24" (61,0 cm)
Encajará en recorte de 22¹/₄" - 22³/₇" (56,4 - 57,0 cm) en modelos de 24" (61,0 cm).
- K. 2¹/₂" (6,35 cm) de distancia mínima a la superficie combustible del lado izquierdo y derecho más cercana por encima de la parrilla eléctrica
- L. 1¹/₂" (3,81 cm) de espacio mínimo entre la pared posterior y el mostrador

NOTAS: Después de hacer el recorte del mostrador, es posible que, en algunas instalaciones, deba hacer un corte a lo largo de las paredes laterales del armario de la base para despejar la base de la parrilla eléctrica. Para evitar esta modificación, use un armario de base con paredes laterales más anchas que el recorte.

Si el armario tiene un cajón, se requiere un espacio de 5½" (14,0 cm) desde la parte superior del mostrador hasta la parte superior del cajón (u otro objeto que esté obstruyendo) en el armario de la base.

Requisitos eléctricos

⚠ ADVERTENCIA



Peligro de Choque Eléctrico

Desconecte el suministro de energía antes de darle servicio.

Utilice alambre de cobre de calibre 8.

Conecte a tierra la parrilla eléctrica.

No seguir estas instrucciones puede ocasionar la muerte, incendio o choque eléctrico.

Si los códigos lo permiten y se emplea un cable de conexión a tierra separado, es recomendable que un instalador eléctrico competente determine si la ruta de conexión a tierra y el calibre del cable están de acuerdo con los códigos locales.

Si no está seguro de que la conexión a tierra de la parrilla eléctrica sea la adecuada, verifíquela con un instalador eléctrico competente.

Asegúrese de que la conexión eléctrica y el tamaño del alambre son adecuados y en conformidad con el National Electrical Code (Código Nacional Eléctrico), ANSI/NFPA 70, última edición o las normas de CSA C22.1-94, Canadian Electrical Code (Código Canadiense de Electricidad), Parte 1 y C22.2 N° O-M91-última edición, y todos los códigos y ordenanzas locales.

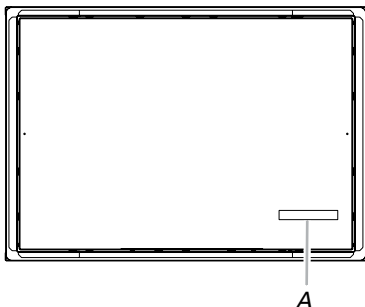
Se puede obtener una copia de las normas de los códigos antes indicados en:

National Fire Protection Association
1 Batterymarch Park
Quincy, MA 02169-7471
CSA International
8501 East Pleasant Valley Road
Cleveland, OH 44131-5575

Antes de hacer la conexión eléctrica:

Para instalar la parrilla eléctrica adecuadamente, usted debe determinar el tipo de conexión eléctrica que va a usar y seguir las instrucciones que aquí se proveen para el caso.

- Use un enchufe monofásico de 3 o 4 hilos de 120/208 V o 120/240 V, 60 Hz, CA solamente. La placa con el número de modelo/serie está ubicada en el armario de metal debajo de la parrilla eléctrica. Vea la siguiente ilustración.



A. Placa con el número de modelo/serie

- La cocina tiene capacidad para 120/208 V o 120/240 V. Algunos modelos tienen un cable neutro (blanco).

Para ver los requisitos de suministro eléctrico, consulte la siguiente tabla:

| Número del modelo familiar | Clasificaciones eléctricas a 60 Hz | |
|----------------------------|------------------------------------|---------|
| | 208 V~ | 240 V~ |
| WCE55US0H | 5,0 kW | 6,7 kW |
| WCE55US4H | 5,0 kW | 6,7 kW |
| WCE55US6H | 6,0 kW | 8,0 kW |
| WCE77US0H | 6,4 kW | 8,5 kW |
| WCE77US6H | 6,4 kW | 8,5 kW |
| WCE97US0H | 6,8 kW | 9,1 kW |
| WCE97US6H | 6,8 kW | 9,1 kW |
| MEC8830H | 6,5 kW | 8,6 kW |
| MEC8836H | 7,4 kW | 9,9 kW |
| KCES550H | 7,9 kW | 10,5 kW |
| KCES556H | 7,9 kW | 10,5 kW |
| KCES950H | 7,2 kW | 9,6 kW |
| KCES956H | 7,2 kW | 9,6 kW |
| JEC3430H | 6,4 kW | 8,5 kW |
| JEC3536H | 7,9 kW | 10,5 kW |
| JEC4424H | 5,5 kW | 7,3 kW |
| JEC4430H | 7,2 kW | 9,6 kW |
| JEC4536H | 7,2 kW | 9,6 kW |

- Deberá conectarse la parrilla eléctrica directamente a la caja de empalmes a través de un cable de cobre flexible blindado forrado no metálico. El cable flexible blindado que se extiende desde la caja de fusibles o la caja del cortacircuitos deberá conectarse directamente a la caja de empalmes.
- Localice la caja de empalmes para permitir que el cable quede lo más flojo posible entre la caja de empalmes y la parrilla eléctrica para que ésta pueda moverse en caso de que haya necesidad de darle servicio en el futuro.
- No corte el conducto. Use la longitud del conducto provista. Debe proveerse un conector de conducto que esté en la lista de UL o aprobado por CSA a cada extremo del cable de suministro de energía (en la parrilla eléctrica y en la caja de empalmes). Con la parrilla eléctrica ya está provisto un conector de conducto aprobado.
- Si la casa tiene cableado de aluminio, siga el procedimiento a continuación:
Conecte el cableado de aluminio usando conectores especiales y/o herramientas diseñadas y de la lista de UL para unir el cobre al aluminio.

Siga el procedimiento recomendado por el fabricante del conector eléctrico. La conexión de cobre/aluminio deberá hacerse en conformidad con los códigos locales y las prácticas de cableado aceptadas por la industria.

INSTRUCCIONES DE INSTALACIÓN

Preparación de la parrilla eléctrica para la instalación

⚠️ ADVERTENCIA

Peligro de Peso Excesivo

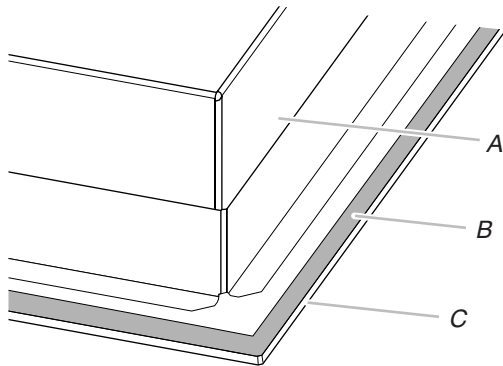
Use dos o más personas para mover e instalar la parrilla eléctrica.

No seguir esta instrucción puede ocasionar una lesión en la espalda u otro tipo de lesiones.

Decida cuál será la ubicación final de la parrilla eléctrica. Evite perforar o cortar el cableado existente durante la instalación.

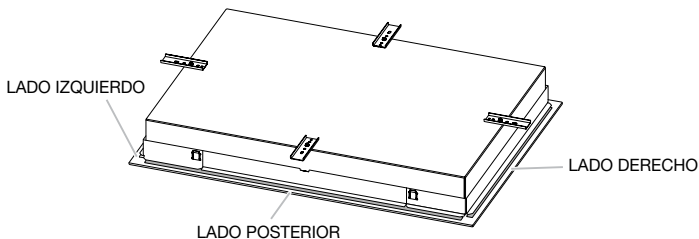
1. Con 2 o más personas, ubique la parrilla eléctrica al revés en una superficie cubierta utilizando los protectores de espuma del empaquetado. Asegúrese de que las perillas no se apoyen sobre la espuma.
2. Retire el rollo de cinta de espuma del paquete con material impreso. El rollo contiene cuatro tiras de espuma de ¼" (0,64 cm). Retire una cinta por vez. Aplique el adhesivo de las cintas de espuma alrededor de la parte inferior de los cuatro bordes del vidrio de la superficie de cocción siguiendo los bordes del vidrio.

NOTA: La cinta de espuma ayuda a evitar daños por desechos en la parte inferior del vidrio de la superficie de cocción y ayuda a que la superficie de cocción se apoye de manera plana en mostradores desparejos.



A. Base de la parrilla eléctrica
B. Cinta de espuma de ¼" (0,64 cm)
C. Parrilla eléctrica

NOTA: En el caso de algunos modelos con adorno en el borde delantero del vidrio, aplique el costado de la cinta de espuma debajo alrededor de la parte inferior del vidrio de la superficie de cocción únicamente en los lados IZQUIERDO, DERECHO y POSTERIOR.



Instalación de la parrilla eléctrica

Estilo 1: Parrilla eléctrica sobre horno empotrado debajo del mostrador

IMPORTANTE: No deben usarse soportes de abrazadera.

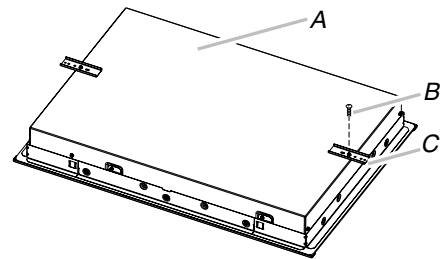
1. Con la ayuda de 2 o más personas, coloque la parrilla eléctrica con el lado correcto hacia arriba dentro del área de corte.

NOTA: Cerciórese de que el borde delantero de la parrilla eléctrica esté paralelo al borde delantero del mostrador. Si necesita mover la parrilla eléctrica, levántela completamente del lugar recortado para evitar que se raye el mostrador.

Estilo 2: Parrilla eléctrica sobre armarios

1. Determine si la construcción del armario proporciona el espacio necesario para instalar los soportes de la abrazadera en los extremos de la base de la parrilla eléctrica.

Modelos tradicionales de 24" (60,9 cm), 30" (76,2 cm) y 36" (91,4 cm)

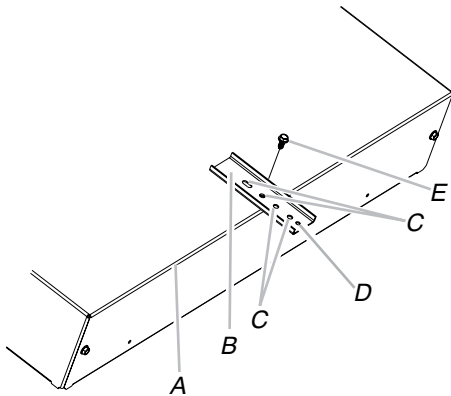


A. Base inferior de la parrilla eléctrica
B. Tornillo de fijación
C. Soporte de abrazadera

2. Los soportes de abrazadera pueden instalarse antes o después de ubicar la parrilla eléctrica en el lugar recortado. Complete los pasos siguientes para la opción que usted elija.

Instalación de los soportes antes de colocar la parrilla eléctrica en el lugar recortado.

1. Con 2 o más personas, ubique la parrilla eléctrica al revés en una superficie cubierta utilizando los protectores de espuma del empaquetado. Asegúrese de que las perillas no se apoyen sobre la espuma.
2. Saque los tornillos de fijación para ver las ubicaciones del soporte desde el fondo de la base de la parrilla eléctrica.
3. Seleccione los orificios de montaje del soporte que permitan al soporte extenderse lo suficientemente lejos como para poder instalar los tornillos de abrazadera de 2½" (6,4 cm). Vea "Cómo fijar la parrilla eléctrica al mostrador" para ver la ilustración de la instalación del tornillo de la abrazadera.

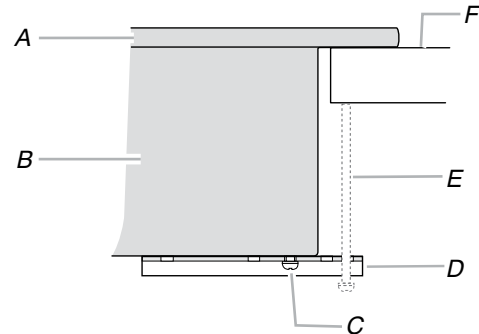


- A. Borde de la base de la parrilla eléctrica
- B. Soporte de abrazadera
- C. Orificios de montaje del soporte
- D. Orificio de abrazadera del soporte
- E. Tornillo de fijación

4. Fije los soportes a la base de la parrilla eléctrica con los tornillos de fijación del soporte usando los orificios de montaje del soporte seleccionados en el Paso 3.
5. Gire los soportes para que no se extiendan más allá del borde de la parrilla eléctrica.
6. Apriete los tornillos de fijación sólo lo suficiente para sostener los soportes en el lugar cuando se coloque la parrilla eléctrica en el lugar recortado.
7. Con la ayuda de 2 o más personas, coloque la parrilla eléctrica con el lado correcto hacia arriba e insértela en el corte.
NOTA: Cerciórese de que el borde delantero de la parrilla eléctrica esté paralelo al borde delantero del mostrador. Si necesita mover la parrilla eléctrica, levántela completamente del lugar recortado para evitar que se raye el mostrador.
8. Afloje los tornillos y gire los soportes para que queden perpendiculares al borde de la parrilla eléctrica y se extiendan más allá de su borde. Apriete firmemente los tornillos.

Instalación de los soportes después de colocar la parrilla eléctrica en el lugar recortado.

1. Con la ayuda de 2 o más personas, coloque la parrilla eléctrica con el lado correcto hacia arriba dentro del área de corte.
NOTA: Cerciórese de que el borde delantero de la parrilla eléctrica esté paralelo al borde delantero del mostrador. Si necesita mover la parrilla eléctrica, levántela completamente del lugar recortado para evitar que se raye el mostrador.
2. Saque los tornillos de fijación para ver las ubicaciones del soporte seleccionadas desde el fondo de la base de la parrilla eléctrica.
3. Seleccione los orificios de montaje del soporte que permitan al soporte extenderse lo suficientemente lejos como para poder instalar los tornillos de abrazadera de 2½" (6,4 cm).



- A. Parrilla eléctrica
- B. Base de la parrilla eléctrica
- C. Tornillo de fijación
- D. Soporte de abrazadera (se extiende más allá de la base de la parrilla eléctrica para permitir la instalación de los tornillos de la abrazadera)
- E. Tornillo de abrazadera de 2½" (6,4 cm) (para ser instalado en "Cómo fijar la parrilla eléctrica al mostrador")
- F. Mostrador

4. Fije los soportes a la base de la parrilla eléctrica con los tornillos de fijación del soporte usando los orificios de montaje del soporte seleccionados en el Paso 3. Apriete firmemente los tornillos.

Haga la conexión del suministro eléctrico

⚠ ADVERTENCIA



Peligro de Choque Eléctrico

Desconecte el suministro de energía antes de darle servicio.

Utilice alambre de cobre de calibre 8.

Conecte a tierra la parrilla eléctrica.

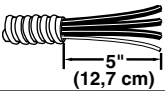
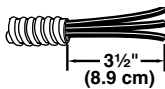
No seguir estas instrucciones puede ocasionar la muerte, incendio o choque eléctrico.

Esta parrilla eléctrica ha sido fabricada con un alambre de puesta a tierra verde o desnudo, conectado a un marco.

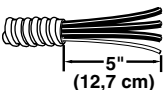
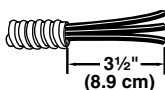
Conecte el cable de la parrilla eléctrica a la caja de empalmes a través del conector del circuito que esté en la lista de UL o aprobado por CSA.

Opciones para la conexión eléctrica

Para parrilla eléctrica con cable de 4 hilos

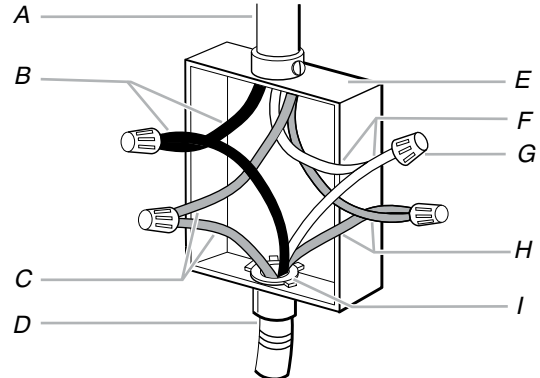
| Si la casa tiene: | Y se va a hacer la conexión con: | Vaya a la sección: |
|--|---|---|
| Un cable directo de 4 hilos  | Un desconectador con fusible o una caja de cortacircuitos | Cable de 4 hilos desde el suministro de energía al cable de 4 hilos desde la parrilla eléctrica |
| Un cable directo de 3 hilos  | Un desconectador con fusible o una caja de cortacircuitos | Cable de 3 hilos desde el suministro de energía al cable de 4 hilos desde la parrilla eléctrica |

Para parrilla eléctrica con cable de 3 hilos:

| Si la casa tiene: | Y se va a hacer la conexión con: | Vaya a la sección: |
|--|---|---|
| Un cable directo de 4 hilos  | Un desconectador con fusible o una caja de cortacircuitos | Cable de 4 hilos desde el suministro de energía al cable de 3 hilos desde la parrilla eléctrica |
| Un cable directo de 3 hilos  | Un desconectador con fusible o una caja de cortacircuitos | Cable de 3 hilos desde el suministro de energía al cable de 3 hilos desde la parrilla eléctrica |

Cable de 4 hilos desde el suministro de energía al cable de 4 hilos desde la parrilla eléctrica

IMPORTANTE: Use el cable de 4 hilos desde el suministro de energía donde los códigos locales no permitan la conexión del conductor a tierra del marco al alambre neutro (blanco) de la caja de empalmes.

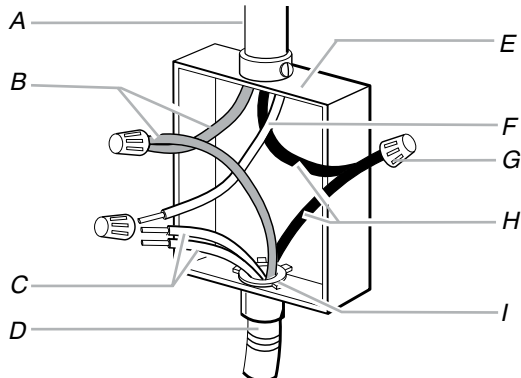


- A. Cable de 4 hilos desde el suministro de energía
- B. Cables negros
- C. Alambres verdes o desnudos
- D. Cable de 4 hilos desde la parrilla eléctrica
- E. Caja de empalmes
- F. Cables blancos
- G. Conector de alambres aprobado por UL
- H. Alambres rojos
- I. Conector de conducto homologado por UL o aprobado por CSA

1. Desconecte el suministro de energía.
2. Saque la caja de empalmes, si está presente.
3. Conecte el conducto flexible del cable de la parrilla eléctrica a la caja de empalmes usando un conector de conducto que esté en la lista de UL o aprobado por CSA de 1/2" (1,3 cm).
4. Si están presentes, apriete los tornillos en el conector del conducto.
5. Conecte los dos cables negros usando los conectores de cables de la lista de UL.
6. Conecte los dos cables rojos usando los conectores de cables de la lista de UL.
7. Conecte los dos cables blancos usando los conectores de cables de la lista de UL.
8. Conecte el alambre verde, o desnudo, de puesta a tierra desde el cable de la parrilla eléctrica al alambre verde, o desnudo, de puesta a tierra (en la caja de empalmes) usando un conector de alambres que esté en la lista de UL.
9. Instale la cubierta de la caja de empalmes.
10. Reconecte el suministro eléctrico.

Cable de 3 hilos desde el suministro de energía al cable de 4 hilos desde la parrilla eléctrica

IMPORTANTE: Use el cable de 3 hilos desde el suministro eléctrico donde los códigos locales permitan la conexión del conductor a tierra del marco al alambre neutro (blanco) de la caja de empalmes:

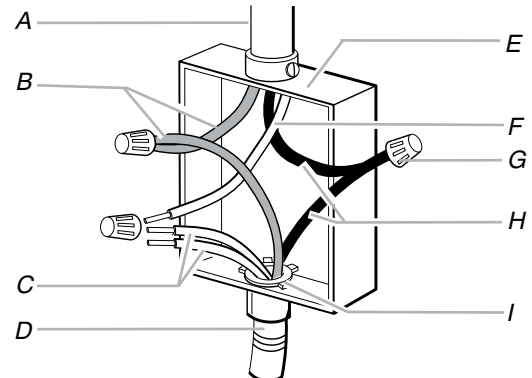


- | | |
|---|--|
| A. Cable de 3 hilos desde el suministro de energía | F. Alambre blanco (desde el suministro de energía) |
| B. Alambres rojos | G. Conector de alambres aprobado por UL |
| C. Alambres blanco y verde o desnudo de puesta a tierra (desde la parrilla eléctrica) | H. Alambres negros |
| D. Cable de 4 hilos desde la parrilla eléctrica | I. Conector de conducto homologado por UL o aprobado por CSA |
| E. Caja de empalmes | |

1. Desconecte el suministro de energía.
2. Saque la caja de empalmes, si está presente.
3. Conecte el conducto flexible del cable de la parrilla eléctrica a la caja de empalmes usando un conector de conducto que esté en la lista de UL o aprobado por CSA.
4. Si están presentes, apriete los tornillos en el conector del conducto.
5. Conecte los dos cables negros usando los conectores de cables de la lista de UL.
6. Conecte los dos cables rojos usando los conectores de cables de la lista de UL.
7. Conecte los alambres verde o desnudo y blanco del cable de la parrilla eléctrica al alambre blanco (neutro) en la caja de empalmes usando conectores de alambre de la lista de UL.
8. Conecte el alambre verde, o desnudo, de puesta a tierra desde el cable de la parrilla eléctrica al alambre verde, o desnudo, de puesta a tierra (en la caja de empalmes) usando un conector de alambres que esté en la lista de UL.
9. Instale la cubierta de la caja de empalmes.
10. Reconecte el suministro eléctrico.

Cable de 4 hilos desde el suministro de energía al cable de 3 hilos desde la parrilla eléctrica

IMPORTANTE: Use el cable de 4 hilos desde el suministro de energía donde los códigos locales no permitan la conexión del conductor a tierra del marco al alambre neutro (blanco) de la caja de empalmes.

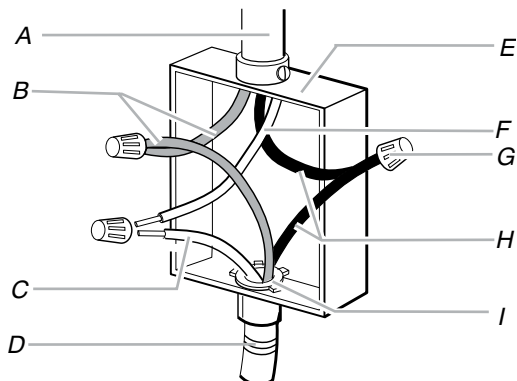


- | | |
|---|--|
| A. Cable de 4 hilos desde el suministro de energía | F. Alambre blanco (desde el suministro de energía) |
| B. Alambres rojos | G. Conector de alambres aprobado por UL |
| C. Alambre verde o desnudo de puesta a tierra (desde la parrilla eléctrica) | H. Alambres negros |
| D. Cable de 3 hilos desde la parrilla eléctrica | I. Conector de conducto homologado por UL o aprobado por CSA |
| E. Caja de empalmes | |

1. Desconecte el suministro de energía.
2. Saque la caja de empalmes, si está presente.
3. Conecte el conducto flexible del cable de la parrilla eléctrica a la caja de empalmes usando un conector de conducto que esté en la lista de UL o aprobado por CSA.
4. Si están presentes, apriete los tornillos en el conector del conducto.
5. Conecte los dos cables negros usando los conectores de cables de la lista de UL.
6. Conecte los dos cables rojos usando los conectores de cables de la lista de UL.
7. Conecte el alambre verde, o desnudo, de puesta a tierra desde el cable de la parrilla eléctrica al alambre verde, o desnudo, de puesta a tierra (en la caja de empalmes) usando un conector de alambres que esté en la lista de UL.
8. Coloque un conector de alambres que esté en la lista de UL en el extremo del alambre blanco.
NOTA: No conecte el alambre desnudo de puesta a tierra al alambre neutro (blanco) en la caja de empalmes.
9. Instale la cubierta de la caja de empalmes.
10. Reconecte el suministro eléctrico.

Cable de 3 hilos desde el suministro de energía al cable de 3 hilos desde la parrilla eléctrica

IMPORTANTE: Use el cable de 3 hilos desde el suministro eléctrico donde los códigos locales permitan la conexión del conductor a tierra del marco al alambre neutro (blanco) de la caja de empalmes:

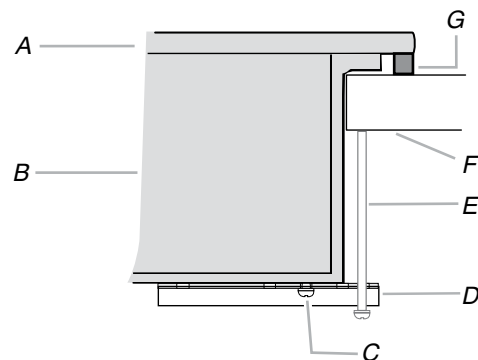


- | | |
|---|--|
| A. Cable de 3 hilos desde el suministro de energía | E. Caja de empalmes |
| B. Alambres rojos | F. Alambre blanco (desde el suministro de energía) |
| C. Alambre verde o desnudo de puesta a tierra (desde la parrilla eléctrica) | G. Conector de alambres aprobado por UL |
| D. Cable de 3 hilos desde la parrilla eléctrica | H. Alambres negros |
| | I. Conector de conducto homologado por UL o aprobado por CSA |

1. Desconecte el suministro de energía.
2. Saque la caja de empalmes, si está presente.
3. Conecte el conducto flexible del cable de la parrilla eléctrica a la caja de empalmes usando un conector de conducto que esté en la lista de UL o aprobado por CSA.
4. Si están presentes, apriete los tornillos en el conector del conducto.
5. Conecte los dos cables negros usando los conectores de cables de la lista de UL.
6. Conecte los dos cables rojos usando los conectores de cables de la lista de UL.
7. Conecte los alambres verde o desnudo del cable de la parrilla eléctrica al alambre blanco (neutro) en la caja de empalmes usando conectores de alambre de la lista de UL.
8. Instale la cubierta de la caja de empalmes.
9. Reconecte el suministro eléctrico.

Cómo fijar la parrilla eléctrica al mostrador

NOTA: Esta sección es apropiada solamente si usted va a usar soportes de abrazadera.



- | | |
|--|-----------------------------------|
| A. Parrilla eléctrica de vidrio | tornillos de la abrazadera) |
| B. Base de la parrilla eléctrica | E. Abrazadera de 2 1/2" (6,4 cm). |
| C. Tornillo de fijación | F. Mostrador |
| D. Soporte de abrazadera (se extiende más allá de la base de la parrilla eléctrica para permitir la instalación de los | G. Sello de espuma |

1. Coloque los tornillos de sujeción de 2 1/2" (6,4 cm) en el orificio más exterior del soporte de sujeción.
2. Utilice un destornillador para apretar los tornillos contra el mostrador. No apriete demasiado.

Completar la instalación

1. Verifique que todas las piezas estén ahora instaladas. Si hay alguna pieza extra, vuelva a revisar todos los pasos para ver cuál se omitió.
2. Verifique que tenga todas las herramientas.
3. Deseche o recicle todo el material de empaque.
4. Use una solución suave de limpiador doméstico líquido y agua tibia para limpiar la parrilla eléctrica antes de utilizarla. Seque meticulosamente con un paño suave. Para más información, vea la sección "Cuidado de la parrilla eléctrica" del Manual de Uso y Cuidado Anexo.
5. Lea "Uso de la parrilla eléctrica" en la Guía de Uso y Cuidado Anexo.
6. Reconecte el suministro eléctrico.
7. Lea las Instrucciones para el usuario de la parrilla eléctrica Anexo para mayor información del producto.

NOTA: Si la parrilla eléctrica no funciona después de haber encendido el suministro de energía, verifique que no se haya disparado un cortacircuito o que no se haya quemado un fusible de la casa. Vea la sección "Solución de problemas" en la Guía de Uso y Cuidado para recibir información adicional.

Si necesita ayuda o servicio técnico:

Sírvase consultar la sección "Ayuda o servicio técnico" del Manual de uso y cuidado o póngase en contacto con el distribuidor en donde usted compró la parrilla eléctrica.

Notas

Notas

