

36" Counter Depth French Door Refrigerator

BFFD3624SS



CEE Tier 1

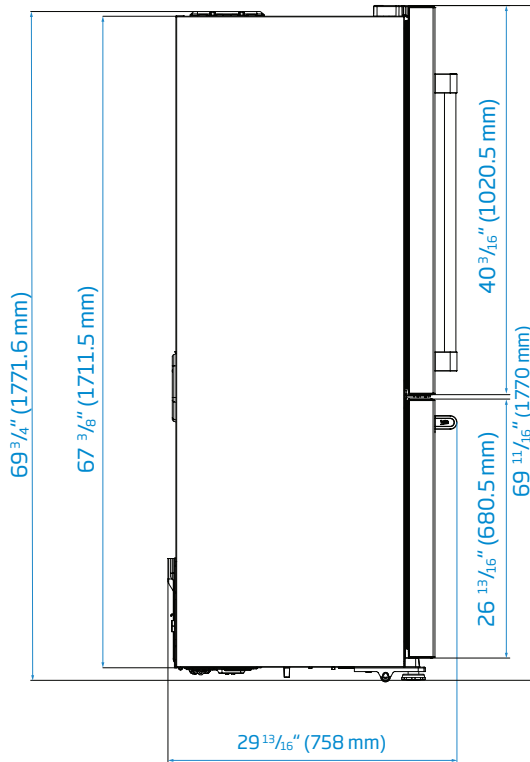
KEY FEATURES

- EverFresh+
- Active Blue Light
- Turbo Ice Maker
- IonGuard
- Neofrost Dual Cooling Technology
- Zone Temperature Adjustability
- XL Pantry Drawers

GENERAL	
Cooling system	Duo Cycle Frost Free Cooling - NeoFrost
Control system	Electronic Control Display
Finish	Fingerprint-free Stainless Steel
Electronic control display type	Digital display on front top trim
CAPACITIES	
Total volume cu. ft.	19.86 cu. ft.
Fresh food net volume cu. ft.	13.30 cu. ft.
Freezer volume cu. ft.	6.56 cu. ft.
FRIDGE FEATURES	
EverFresh+	Yes
Active Fresh Blue Light	Yes
IonGuard	Yes
Interior filtered water dispenser	Yes
Door Open Alarm	Yes
Sabbath Mode	Yes
XL Pantry Door	Yes
Gallon Bins	Yes
Adjustable Door Racks	Yes
Auto defrost	Yes
Inner illumination	LED - Side walls and ceiling
Shelves	4 Safety Glass
Crispers	2
Door racks	6
Compressor	Variable Speed VCC
Fan ventilation	Yes
FREEZER FEATURES	
Auto defrost	Yes
Number of freezer drawers	1
Freezer interior illumination	Yes
Turbo Ice Maker	Makes 11 lbs. / day
PERFORMANCE	
Annual energy consumption	566 kWh/year
Climatic Class	T
Annual Energy Consumption	566 kWh / year
ENERGY STAR®	Yes
CEE	Tier 1
TECHNICAL INFORMATION	
Supply voltage, V/Hz	120 V/60 Hz
Rated Current , A	2.7 A
Noise level, dBA	44 dBA
DIMENSIONS	
H x W x D, in	69 3/4" x 35 3/4" x 27 3/4" in.
Product weight, lbs.	298 lbs.
H x W x D, cm	177.1 x 90.8 x 70.5 cm
Product weight, kg	135 kg

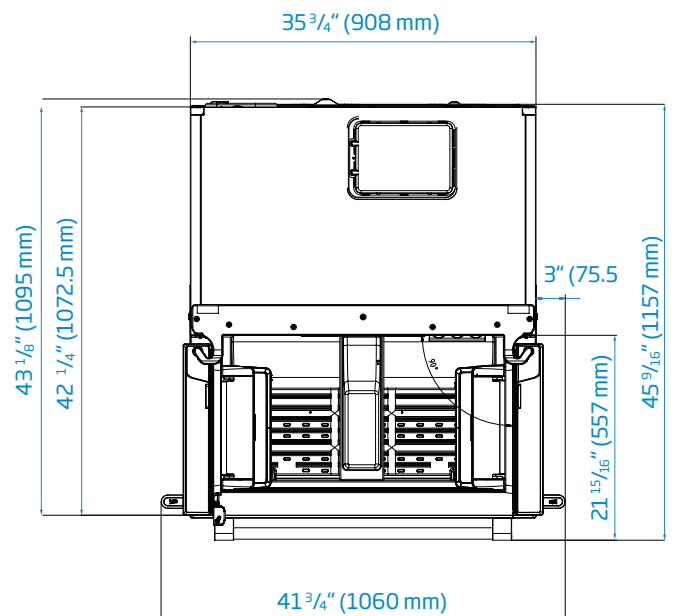
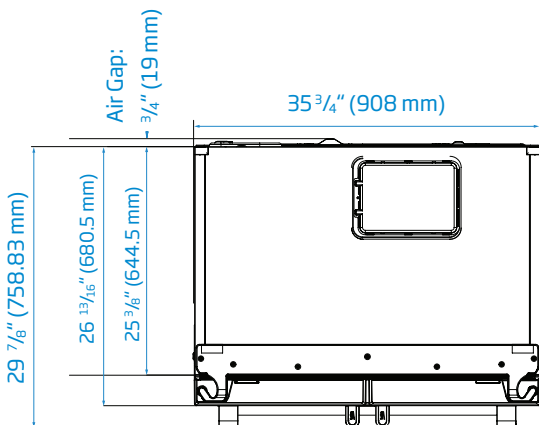
36" Counter Depth French Door Refrigerator

BFFD3624SS



Required Minimum Clearances:

- Top: 2"
- Sides: $\frac{1}{2}''$ on each side
- Back: $1 \frac{1}{2}''$



NOTE TO THE INSTALLER: All height, width, and depth dimensions are shown in inches (as well as metric). Beko U.S., Inc. reserves the absolute and unrestricted right to change product materials and specifications, at any time, without notice. Please visit our website, www.BekoAppliances.com, or call 888.352.2356 to verify the latest specifications with final dimensional data and other details prior to installation and making a cutout. Applicable product limited warranty information may be found in accompanying product materials, or you may contact your account manager for further details. Proper installation is the responsibility of the installer. Product failure due to improper installation is not covered under the Limited Warranty.

888.352.BEKO(2356) | BekoAppliances.com

