

# DVG45T6000V

SAMSUNG

## Samsung 7.5 cu. ft. Front Load Gas Dryer with Sensor Dry



### Signature Features

#### Sensor Dry

- Helps prevent overdrying for optimal fabric care.

#### 7.5 cu. ft. Large Capacity

- Fewer loads, less time in the laundry room, and more time doing the things you love.

#### 10 Preset Drying Cycles

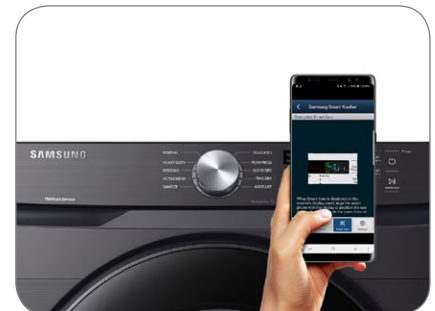
- More cycles to cover almost every drying need for your active family.

### Available Color

 Fingerprint Resistant  
Black Stainless Steel



Sensor Dry



Smart Care

### Features

- Sensor Dry
- 7.5 cu. ft. Large Capacity
- Smart Care<sup>1</sup>
- Interior Drum Light
- Reversible Door
- 10 Preset Drying Cycles
- 9 Additional Drying Options
- 5 Temperature Levels
- 3-Way Venting
- LED Display: Ice Blue

### Convenience

- Child Lock
- Lint Filter Indicator



ADA Compliant<sup>2</sup>

### Electrical Requirements

- 120V / 60Hz
- 15 Amps

<sup>1</sup>Requires Samsung Smart Washer/Dryer App. The Samsung Smart Washer/Dryer App supports Android OS 2.3.6 or later and iOS 3 or later for iPhone models. Samsung Smart Washer/Dryer App available in App Store and Play Store.

<sup>2</sup>ADA Compliant when using 27" wide riser (Riser model codes: WE272NV, WE272NW, WE272NC).

# DVG45T6000V

# SAMSUNG

## Samsung 7.5 cu. ft. Front Load Gas Dryer with Sensor Dry

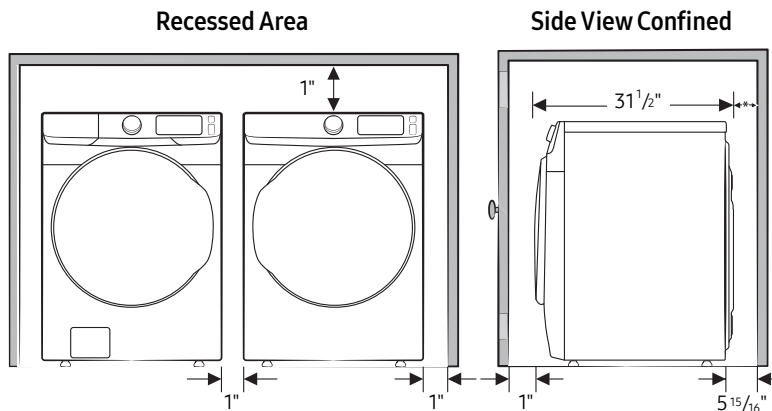
### Installation Specifications

If the washer and dryer are installed together or the dryer alone, the closet front must have two unobstructed air openings for a combined minimum total area of 72-inch<sup>2</sup> (see stacked build below). Your washer alone does not require a specific air opening.

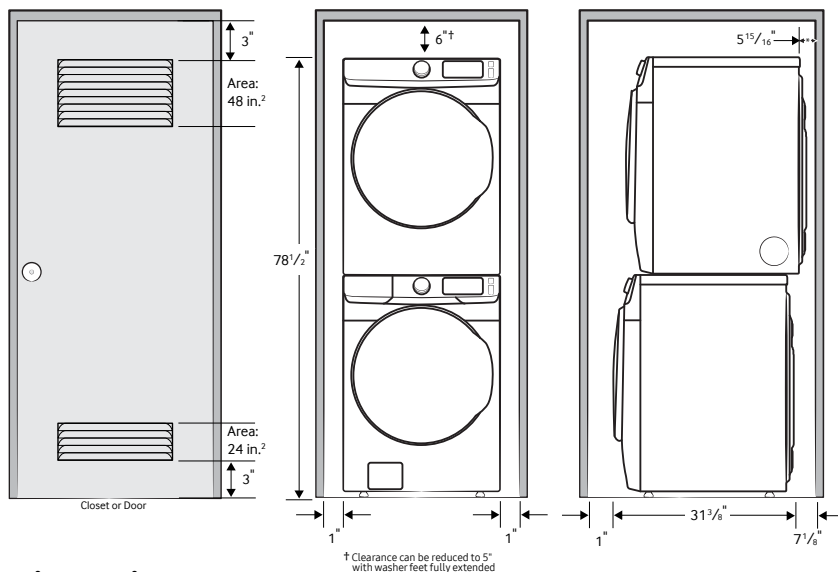
\*Required spacing (External exhaust elbow may require additional space).

#### 1. Alcove or closet installation

Minimum Clearance for Closet and Alcove Installations:

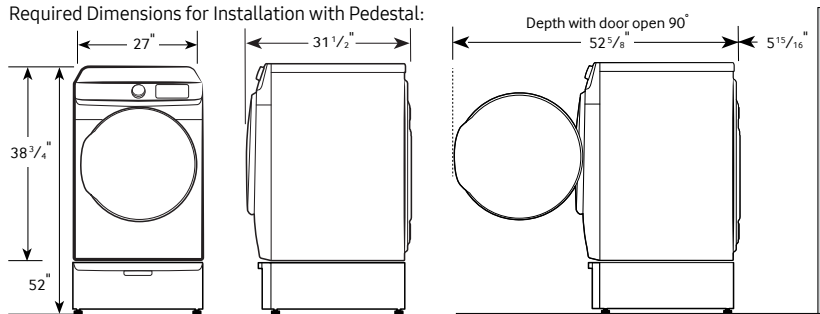


#### 2. With stacked washer and dryer



### Dimensions

Required Dimensions for Installation with Pedestal:



### 3-Way Venting

#### 10 Preset Drying Cycles:

Normal, Heavy Duty, Permanent Press, Activewear, Bedding, Delicates, Sanitize, Time Dry, Air Fluff, Quick Dry

#### 9 Additional Drying Options:

Mixed Load Bell, Wrinkle Prevent, Adjust Time (Up), Adjust Time (Down), Eco Dry, Child Lock, Smart Care, Sound, Drum Light

#### 5 Temperature Levels:

High, Medium High, Medium, Medium Low, Low

#### 5 Dry Levels:

Very Dry, More Dry, Normal Dry, Less Dry, Damp Dry

#### Warranty

One (1) Year Parts and Labor

#### Product Dimensions & Weight (WxHxD)

Dimensions: 27" x 38<sup>3</sup>/<sub>4</sub>" x 31<sup>1</sup>/<sub>2</sub>"

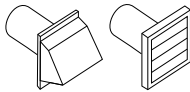
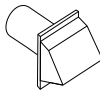
Weight: 123 lbs

#### Shipping Dimensions & Weight (WxHxD)

Dimensions: 29<sup>3</sup>/<sub>8</sub>" x 42<sup>9</sup>/<sub>16</sub>" x 33<sup>1</sup>/<sub>2</sub>"

Weight: 130 lbs

	Model #	UPC Code
Gas	DVG45T6000V	887276439426
Electric	DVE45T6000V	887276439419
Matching Washer	WF45T6000AV	887276436548
Pedestal	WE402NV	887276310145
Riser	WE272NV	887276197630
<b>Accessories</b>		
Stacking Kit	SKK-8K	887276344034
Vent Kit	DV-2A	887276146416

	Recommended	Use only for short-run installation
Weather hood type	 4"	 2.5"
Number of 90° elbows	<b>Rigid</b>	Rigid
0	<b>80 ft.</b>	74 ft.
1	<b>68 ft.</b>	62 ft.
2	<b>57 ft.</b>	51 ft.
3	<b>47 ft.</b>	41 ft.

Actual color may vary. Design, specifications, and color availability are subject to change without notice. Non-metric weights and measurements are approximate.

©2020 Samsung Electronics America, Inc. 85 Challenger Road, Ridgefield Park, NJ 07660. Tel: 800-SAMSUNG. samsung.com. Samsung is a registered trademark of Samsung Electronics Co. Ltd.