

HYBRIDCARE™ HEAT PUMP DRYER INSTALLATION INSTRUCTIONS

SÉCHEUSE À POMPE À CHALEUR HYBRIDCARE™ INSTRUCTIONS D'INSTALLATION

Table of Contents

DRYER SAFETY	2
INSTALLATION REQUIREMENTS.....	3
Tools and Parts	3
LOCATION REQUIREMENTS.....	4
DRAIN SYSTEM	5
ELECTRICAL REQUIREMENTS - U.S.A. ONLY	6
ELECTRIC DRYER POWER HOOKUP - CANADA ONLY	7
INSTALL LEVELING LEGS.....	8
ELECTRICAL INSTALLATION - U.S.A. ONLY	8
Power Supply Cord Connection	9
Direct Wire Connection	11
CONNECT OUTLET HOSE	14
LEVEL DRYER	15
COMPLETE INSTALLATION CHECKLIST	16
DOOR REVERSAL (OPTIONAL)	16
TROUBLESHOOTING	20

Table des matières

SÉCURITÉ DE LA SÉCHEUSE	21
EXIGENCES D'INSTALLATION	22
Outillage et pièces	22
EXIGENCES D'EMPLACEMENT	23
SYSTÈME DE VIDANGE	24
SÉCHEUSE ÉLECTRIQUE RACCORDEMENT À L'ALIMENTATION ÉLECTRIQUE - CANADA SEULEMENT	25
INSTALLATION DES PIEDS DE NIVELLEMENT	26
CONNEXION DU TUYAU DE SORTIE.....	26
RÉGLAGE DE L'APLOMB DE LA SÉCHEUSE.....	27
ACHEVER L'INSTALLATION LISTE DE VÉRIFICATION.....	28
INVERSION DE LA PORTE (FACULTATIF).....	28
DÉPANNAGE	COUVERTURE ARRIÈRE

Para una version de estas instrucciones en español, visite www.Whirlpool.com o www.maytag.com

INSTALLATION NOTES

Date of purchase: _____
Date of installation: _____
Installer: _____
Model number: _____
Serial number: _____

NOTES CONCERNANT L'INSTALLATION

Date d'achat : _____
Date d'installation : _____
Installateur : _____
Numéro de modèle : _____
Numéro de série : _____



DRYER SAFETY

Your safety and the safety of others are very important.

We have provided many important safety messages in this manual and on your appliance. Always read and obey all safety messages.



This is the safety alert symbol.

This symbol alerts you to potential hazards that can kill or hurt you and others.

All safety messages will follow the safety alert symbol and either the word “DANGER” or “WARNING.”

These words mean:

⚠ DANGER

You can be killed or seriously injured if you don't immediately follow instructions.

⚠ WARNING

You can be killed or seriously injured if you don't follow instructions.

All safety messages will tell you what the potential hazard is, tell you how to reduce the chance of injury, and tell you what can happen if the instructions are not followed.



WARNING - “Risk of Fire”

- Clothes dryer installation must be performed by a qualified installer.
- Install the clothes dryer according to the manufacturer’s instructions and local codes.
- To reduce the risk of severe injury or death, follow all installation instructions.
- Save these instructions.

Certain internal parts are intentionally not grounded and may present a risk of electric shock only during servicing.

Service Personnel – Do not contact the thermostat bracket while the appliance is energized.

IMPORTANT SAFETY INSTRUCTIONS

When discarding or storing your old clothes dryer, remove the door.

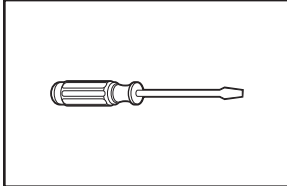
SAVE THESE INSTRUCTIONS

INSTALLATION REQUIREMENTS

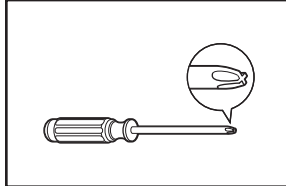
TOOLS AND PARTS

Gather the required tools and parts before starting installation.

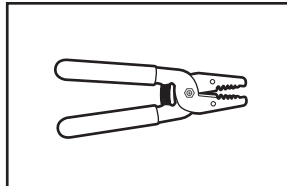
Tools needed:



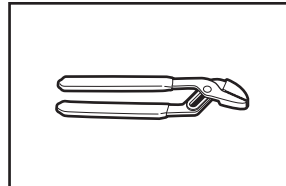
Flat-blade screwdriver



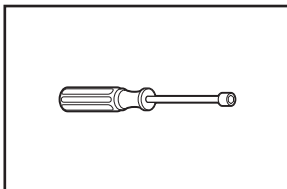
#2 Phillips screwdriver



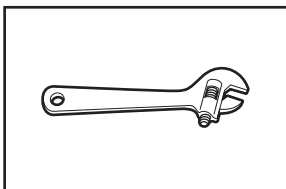
Wire stripper (direct wire installations)



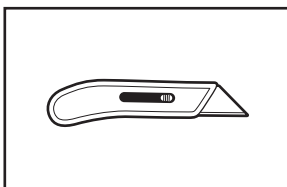
Channel locks



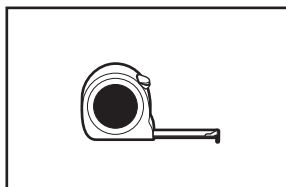
1/4" and 5/16" nut driver (recommended)



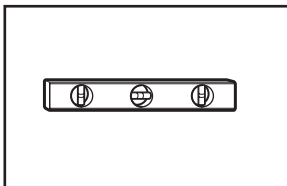
Adjustable wrench that opens to 1" (25 mm) or hex-head socket wrench



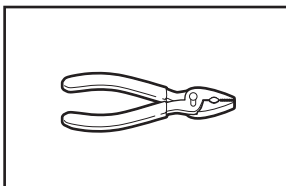
Utility knife



Tape measure

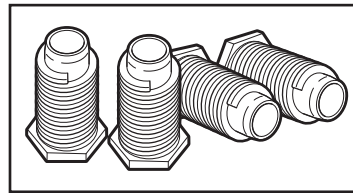


Level

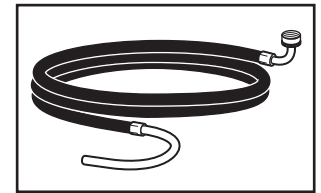


Pliers

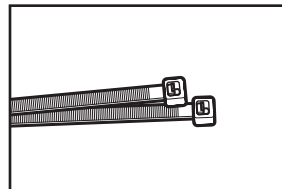
Parts supplied:



Leveling legs (4)



6' (1.82 m) drain hose with couplers



Cable ties (2)

Parts package is located in dryer drum. Check that all parts are included.

NOTE: Do not use leveling legs supplied with dryer if installing with a pedestal or a stack kit.

If using a power supply cord:

Use a UL Listed power supply cord kit marked for use with clothes dryers. The kit should contain:

- A UL Listed 30 A power supply cord, rated 120/240 V minimum. The cord should be type SRD or SRDT and be at least 4 ft. (1.22 m) long. The wires that connect to the dryer must end in ring terminals or spade terminals with upturned ends.

- A UL Listed strain relief.

Additional Accessories: (Not supplied with dryer)

Refer to your Use and Care Guide for information about accessories available for your dryer.

LOCATION REQUIREMENTS

Check codes requirements. Some codes limit, or do not permit, installing dryer in garages, closets, mobile homes, or sleeping quarters. Contact your local building inspector.

⚠ WARNING

Explosion Hazard

Keep flammable materials and vapors, such as gasoline, away from dryer.

Place dryer at least 18 inches (460 mm) above the floor for a garage installation.

Failure to do so can result in death, explosion, or fire.

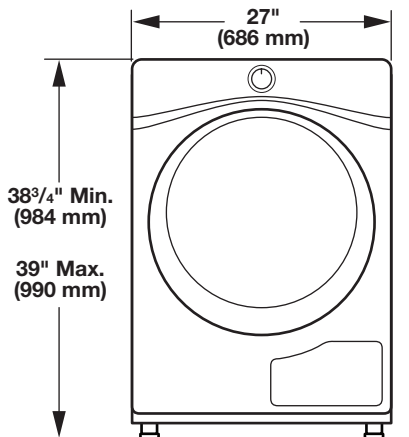
You will need:

- A separate 30 A circuit.
- If using a power supply cord, a grounded electrical outlet located within 2 ft. (610 mm) of either side of dryer. See "Electrical Requirements."
- Floor must support dryer weight of 200 lbs. (90.7 kg). Also consider weight of companion appliance.
- Level floor with maximum slope of 1" (25 mm) under entire dryer. If forward slope is greater than 1" (25 mm), water could run out from front of filter. Install Extended Dryer Feet Kit, Part Number 279810. If not level, clothes may not tumble properly and automatic sensor cycles may not operate correctly.
- For garage installation, place dryer at least 18" (460 mm) above floor. If using a pedestal, you will need 18" (460 mm) to bottom of dryer.
- The dryer must not be installed or stored in an area where it will be exposed to water and/or weather.

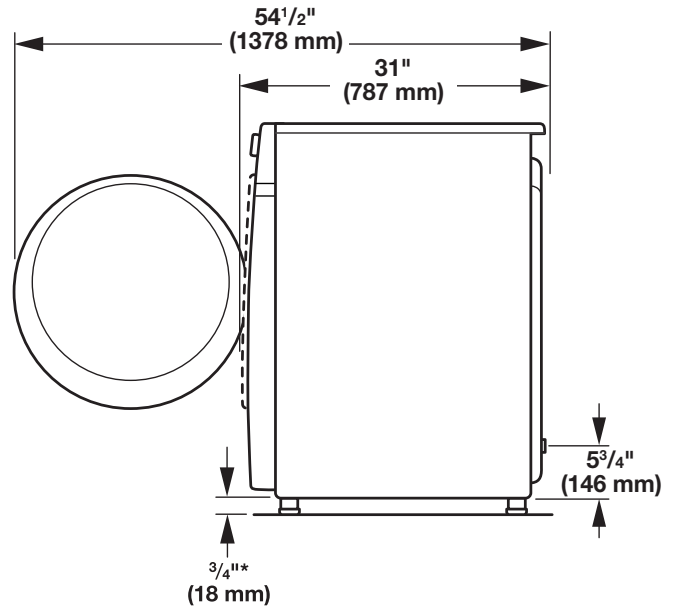
IMPORTANT: Do not operate, install, or store dryer where it will be exposed to water, weather, or at temperatures below 40°F (4°C). Lower temperatures may cause dryer to not shut off at end of automatic sensor cycles, resulting in longer drying times.

DRYER DIMENSIONS

Front view:

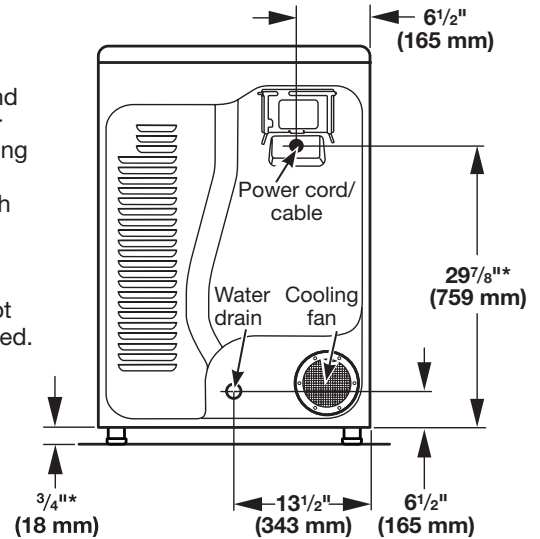


Side view:



Back view:

NOTE: Allow clearance behind dryer for proper drain hose routing and cooling fan ventilation. Push dryer back as far as possible and make sure drain hose is not crushed or kinked.



*Approx. measurement

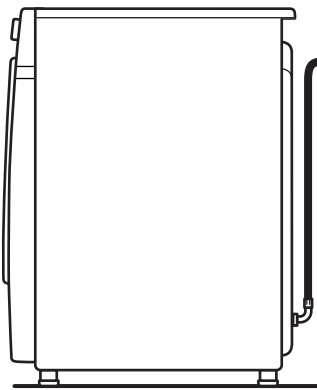
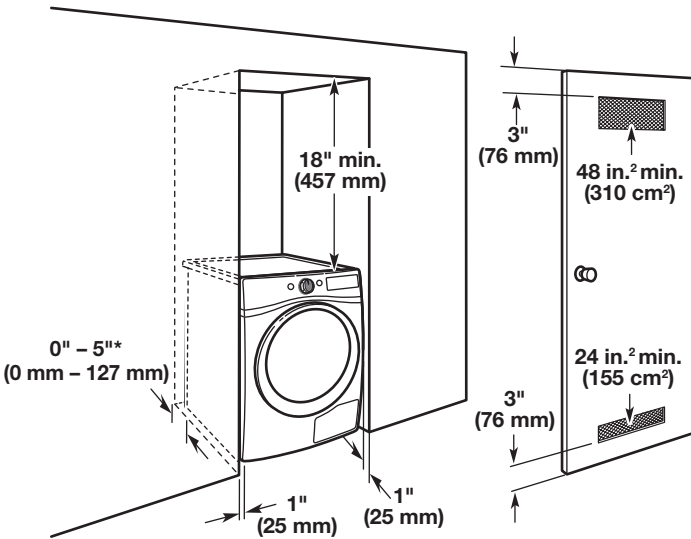
IMPORTANT: Do not block cooling fan, as your dryer may not operate properly.

Installation spacing for recessed area or closet installation:

All dimensions show recommended and minimum spacing allowed.

- Additional spacing should be considered for ease of installation and servicing.
- Additional clearances might be required for wall, door, floor, moldings, and drain system.
- Additional spacing should be considered on all sides of the dryer to reduce noise transfer.
- For closet installation, with a door, minimum ventilation openings in the top and bottom of the door are required. Louvered doors with equivalent ventilation openings are acceptable.
- Companion appliance spacing should also be considered.

Recommended installation clearances (dryer only):



***NOTE:** 0" (0 mm) spacing is allowed behind dryer, providing drain hose is not kinked or pinched.

Mobile home – Additional installation requirements:

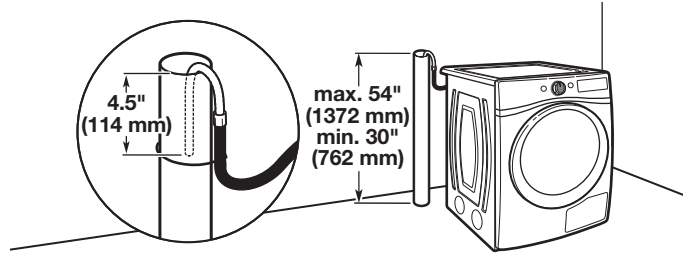
This dryer is suitable for mobile home installations. The installation must conform to the Manufactured Home Construction and Safety Standard, Title 24 CFR, Part 3280 (formerly the Federal Standard for Mobile home construction and Safety, Title 24, HUD Part 280) or Standard CAN/CSA-Z240 MH.

DRAIN SYSTEM

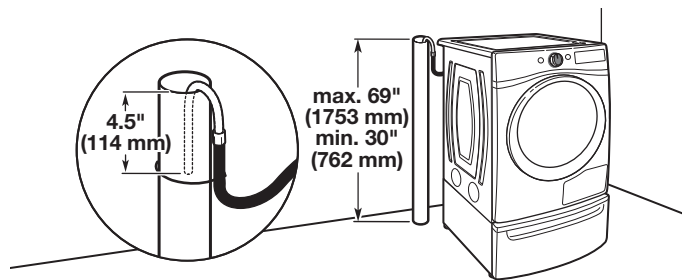
Drain system can be installed using a floor drain, wall standpipe, floor standpipe, or laundry tub. Select method you need.

IMPORTANT: To avoid siphoning, only 4.5" (114 mm) of drain hose should be inside standpipe. Always secure drain hose with cable tie.

Floor standpipe drain system



Without pedestal

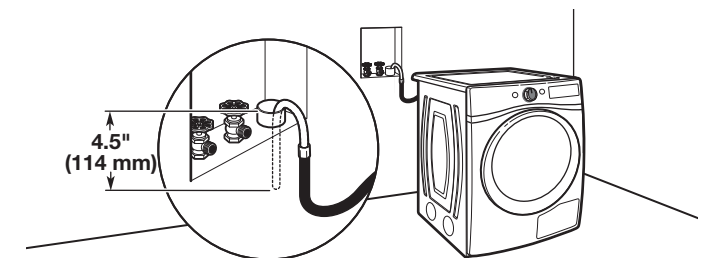


With 15" (381 mm) matching pedestal

Minimum diameter for a standpipe drain: 2" (51 mm). Minimum carry-away capacity: 17 gal. (64 L) per minute. A 1/4" (6 mm) diameter to 1" (25 mm) diameter Standpipe Adapter Kit is available. Top of standpipe must be at least 30" (762 mm) high; install no higher than 54" (1.37 m) from bottom of dryer.

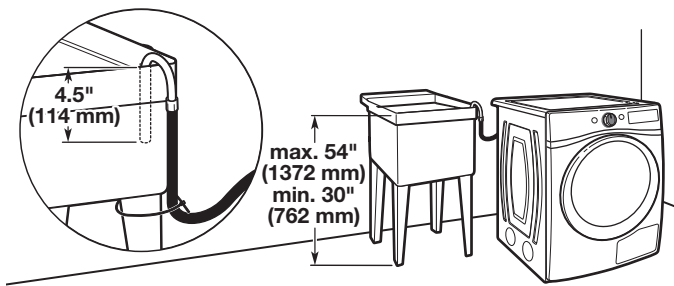
IMPORTANT: Only 4.5" (114 mm) of drain hose should be inside standpipe; do not force excess hose into standpipe.

Wall standpipe drain system



See requirements for floor standpipe drain system.

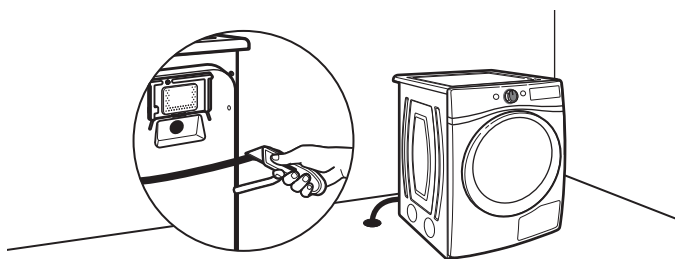
Laundry tub drain system



Minimum capacity: 20 gal. (76 L). Top of laundry tub must be at least 30" (762 mm) above floor; install no higher than 54" (1.37 m) from bottom of dryer.

IMPORTANT: Only 4.5" (114 mm) of drain hose should lay on side of laundry tub. Do not lay the hose at the bottom of tub.

Floor drain system



Remove the U-bend at the end of the drain hose by cutting the hose at the end of the U-bend for the floor drain system as shown in the picture above.

NOTE: Cut hose so that no more than 4.5" (114 mm) of the hose is in the floor drain to avoid siphoning.

ELECTRICAL REQUIREMENTS – U.S.A. ONLY

It is your responsibility:

- To contact a qualified electrical installer.
- To be sure that the electrical connection is adequate and in conformance with the National Electrical Code, ANSI/NFPA 70 – latest edition and all local codes and ordinances. The National Electrical Code requires a 4-wire power supply connection for homes built after 1996, dryer circuits involved in remodeling after 1996, and all mobile home installations. A copy of the above code standards can be obtained from: National Fire Protection Association, One Batterymarch Park, Quincy, MA 02269.
- To supply the required 3- or 4-wire, single-phase, 120/240 V, 60 Hz, AC-only electrical supply (or 3- or 4-wire, 120/208 V electrical supply, if specified on the serial/rating plate) on a separate 30 A circuit, fused on both sides of the line. Connect to an individual branch circuit. Do not have a fuse in the neutral or grounding circuit.
- Do not use an extension cord.
- If codes permit and a separate ground wire is used, it is recommended that a qualified electrician determine that the ground path is adequate.

Electrical Connection

To properly install your dryer, you must determine the type of electrical connection you will be using and follow the instructions provided for it here.

- This dryer is manufactured ready to install with a 3-wire electrical supply connection. The neutral ground conductor is permanently connected to the neutral conductor (white wire) within the dryer. If the dryer is installed with a 4-wire electrical supply connection, the neutral ground conductor must be removed from the external ground connector (green screw), and secured under the neutral terminal (center or white wire) of the terminal block. When the neutral ground conductor is secured under the neutral terminal (center or white wire) of the terminal block, the dryer cabinet is isolated from the neutral conductor. The green ground wire of the 4-wire power cord must be secured to the dryer cabinet with the green ground screw.
- If local codes do not permit the connection of a neutral ground wire to the neutral wire, see the "Optional External Ground for 3-Wire Connection" section.
- A 4-wire power supply connection must be used when the appliance is installed in a location where grounding through the neutral conductor is prohibited. Grounding through the neutral is prohibited for (1) new branch-circuit installations after 1996, (2) mobile homes, (3) recreational vehicles, and (4) areas where local codes prohibit grounding through the neutral conductors.

If using a power supply cord:

Use a UL Listed power supply cord kit marked for use with clothes dryers. The kit should contain:

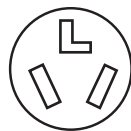
- A UL Listed 30 A power supply cord, rated 120/240 V minimum. The cord should be type SRD or SRDT and be at least 4 ft. (1.22 m) long. The wires that connect to the dryer must end in ring terminals or spade terminals with upturned ends.
- A UL Listed strain relief.

If your outlet looks like this:



4-wire receptacle (14-30R)

Then choose a 4-wire power supply cord with ring or spade terminals and UL Listed strain relief. The 4-wire power supply cord, at least 4 ft. (1.22 m) long, must have four 10-gauge copper wires and match a 4-wire receptacle of NEMA Type 14-30R. The ground wire (ground conductor) may be either green or bare. The neutral conductor must be identified by a white cover.



3-wire receptacle (10-30R)

Then choose a 3-wire power supply cord with ring or spade terminals and UL Listed strain relief. The 3-wire power supply cord, at least 4 ft. (1.22 m) long, must have three 10-gauge copper wires and match a 3-wire receptacle of NEMA Type 10-30R.

If connecting by direct wire:

Power supply cable must match power supply (4-wire or 3-wire) and be:

- Flexible armored cable or nonmetallic sheathed copper cable (with ground wire), covered with flexible metallic conduit. All current-carrying wires must be insulated.
- 10-gauge solid copper wire (do not use aluminum) at least 5 ft. (1.52 m) long.

GROUNDING INSTRUCTIONS

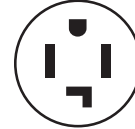
■ For a grounded, cord-connected dryer:
This dryer must be grounded. In the event of malfunction or breakdown, grounding will reduce the risk of electric shock by providing a path of least resistance for electric current. This dryer uses a cord having an equipment-grounding conductor and a grounding plug. The plug must be plugged into an appropriate outlet that is properly installed and grounded in accordance with all local codes and ordinances.

■ For a permanently connected dryer:
This dryer must be connected to a grounded metal, permanent wiring system, or an equipment-grounding conductor must be run with the circuit conductors and connected to the equipment-grounding terminal or lead on the dryer.

WARNING: Improper connection of the equipment-grounding conductor can result in a risk of electric shock. Check with a qualified electrician or service representative or personnel if you are in doubt as to whether the dryer is properly grounded. Do not modify the plug on the power supply cord: if it will not fit the outlet, have a proper outlet installed by a qualified electrician.

SAVE THESE INSTRUCTIONS

- To supply the required 4-wire, single-phase, 120/240 V, 60 Hz., AC-only electrical supply on a separate 30 amp circuit, fused on both sides of the line. A time-delay fuse or circuit breaker is recommended. Connect to an individual branch circuit.
- This dryer is equipped with a CSA International Certified Power Cord intended to be plugged into a standard 14-30R wall receptacle. The cord is 5 ft. (1.52 m) in length. Be sure wall receptacle is within reach of dryer's final location.



4-wire receptacle (14-30R)

- Do not use an extension cord.
If using a replacement power supply cord, it is recommended that you use Power Supply Cord Replacement Part Number 8579325. For further information, please reference the "Assistance or Service" section of the Use and Care Guide.

GROUNDING INSTRUCTIONS

■ For a grounded, cord-connected dryer:
This dryer must be grounded. In the event of malfunction or breakdown, grounding will reduce the risk of electric shock by providing a path of least resistance for electric current. This dryer is equipped with a cord having an equipment-grounding conductor and a grounding plug. The plug must be plugged into an appropriate outlet that is properly installed and grounded in accordance with all local codes and ordinances.

WARNING: Improper connection of the equipment-grounding conductor can result in a risk of electric shock. Check with a qualified electrician or service representative or personnel if you are in doubt as to whether the dryer is properly grounded. Do not modify the plug provided with the dryer: if it will not fit the outlet, have a proper outlet installed by a qualified electrician.

SAVE THESE INSTRUCTIONS

ELECTRIC DRYER POWER HOOKUP – CANADA ONLY ELECTRICAL REQUIREMENTS

WARNING



Electrical Shock Hazard

Plug into a grounded 4 prong outlet.

Failure to do so can result in death or electrical shock.

It is your responsibility:

- To contact a qualified electrical installer.
- To be sure that the electrical connection is adequate and in conformance with the Canadian Electrical Code, C22.1-latest edition, and all local codes. A copy of the above codes standard may be obtained from: Canadian Standards Association, 178 Rexdale Blvd., Toronto, ON M9W 1R3 CANADA.

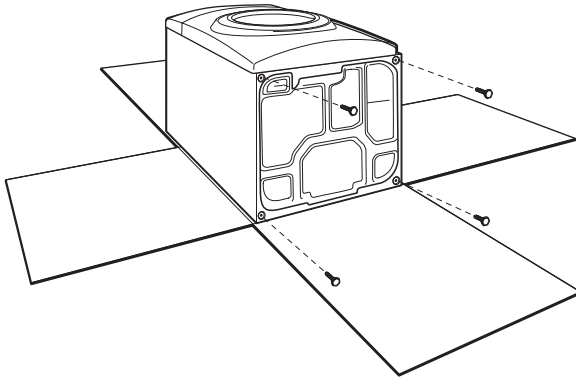
INSTALL LEVELING LEGS

⚠ WARNING

Excessive Weight Hazard

Use two or more people to move and install dryer.
Failure to do so can result in back or other injury.

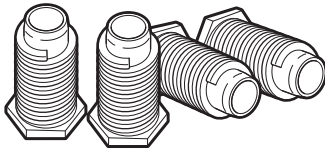
1. Prepare dryer for leveling legs



To avoid damaging floor, use a large flat piece of cardboard from dryer carton; place under entire back edge of dryer. Firmly grasp dryer body (not console panel) and gently lay dryer down on cardboard.

NOTE: Residual water from factory testing may drain when dryer is laying on its side.

2. Screw in leveling legs



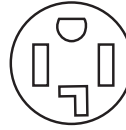
Using a wrench and tape measure, screw leveling legs into leg holes until bottom of foot is approximately 1/2" (13 mm) from bottom of dryer.

Now stand the dryer on its feet. Slide the dryer until it is close to its final location.

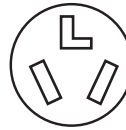
ELECTRICAL INSTALLATION – U.S.A. ONLY

Before you start, disconnect power.

1. Choose electrical connection type



Power supply cord 4-wire receptacle (NEMA Type 14-30R).
Go to "Power Supply Cord Connection."



Power supply cord 3-wire receptacle (NEMA Type 10-30R).
Go to "Power Supply Cord Connection."



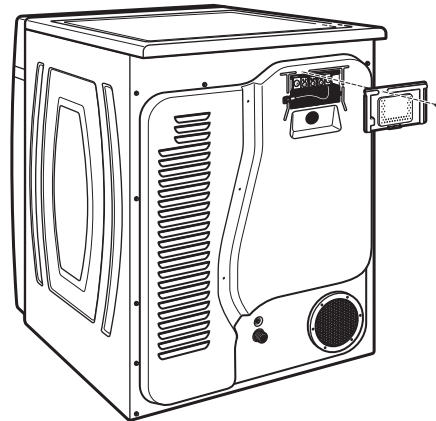
4-wire direct connection:
Go to "Direct Wire Connection."



3-wire direct connection:
Go to "Direct Wire Connection."

NOTE: If local codes do not permit connection of a cabinet-ground conductor to neutral wire, go to "Optional External Ground for 3-Wire Connection." This connection may be used with either a power supply cord or a direct wire connection.

2. Remove terminal block cover



Remove hold-down screw and terminal block cover.

Power Supply Cord Connection

⚠ WARNING



Fire Hazard

Use a new UL listed 30 amp power supply cord.

Use a UL listed strain relief.

Disconnect power before making electrical connections.

Connect neutral wire (white or center wire) to center terminal.

Ground wire (green or bare wire) must be connected to green ground connector.

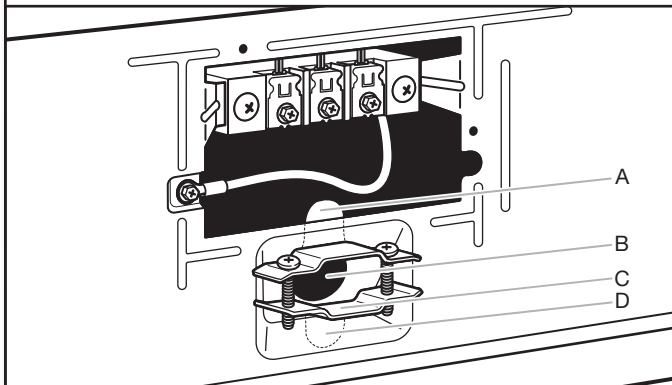
Connect remaining 2 supply wires to remaining 2 terminals (gold).

Securely tighten all electrical connections.

Failure to do so can result in death, fire, or electrical shock.

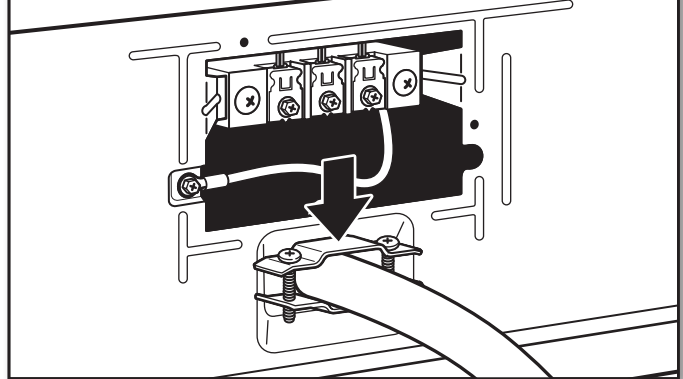
Power Supply Cord Strain Relief:

1. Attach power supply cord strain relief



Remove the screws from a 3/4" (19 mm) UL Listed strain relief (UL marking on strain relief). Put the tabs of the two clamp sections (C) into the hole below the terminal block opening (B) so that one tab is pointing up (A) and the other is pointing down (D), and hold in place. Tighten strain relief screws just enough to hold the two clamp sections (C) together.

2. Attach power supply cord to strain relief

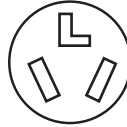


Put power supply cord through the strain relief. Be sure that the wire insulation on the power supply cord is inside the strain relief. The strain relief should have a tight fit with the dryer cabinet and be in a horizontal position. Do not further tighten strain relief screws at this point.

If your outlet looks like this:



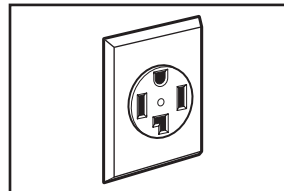
Power supply cord 4-wire receptacle (NEMA Type 14-30R):
Go to "4-Wire Power Supply Cord Connection."



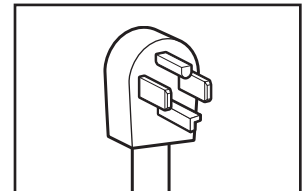
Power supply cord 3-wire receptacle (NEMA Type 10-30R):
Go to "3-Wire Power Supply Cord Connection."

4-Wire Power Supply Cord Connection

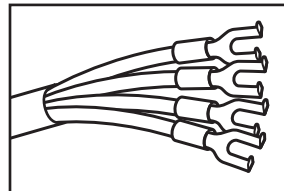
IMPORTANT: A 4-wire connection is required for mobile homes and where local codes do not permit the use of 3-wire connections.



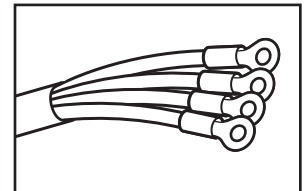
4-wire receptacle (NEMA type 14-30R)



4 prong plug

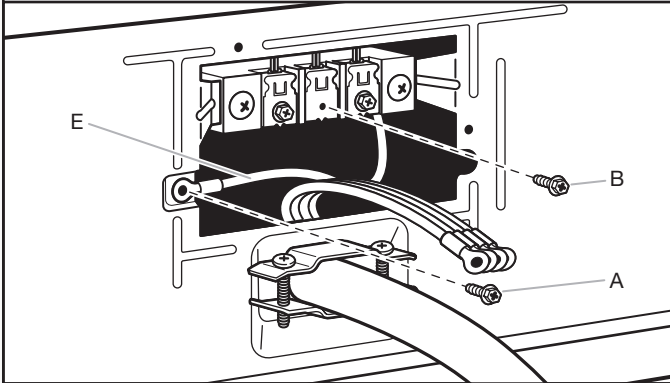


Spade terminals with upturned ends



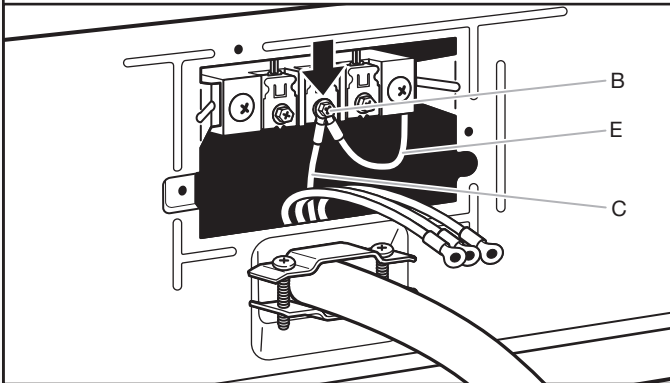
Ring terminals

1. Prepare to connect neutral ground wire and neutral wire



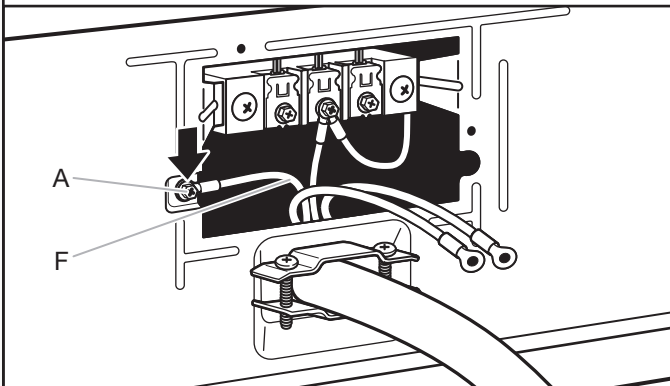
Remove center terminal block screw (B). Remove neutral ground wire (E) from green external ground conductor screw (A).

2. Connect neutral ground wire and neutral wire



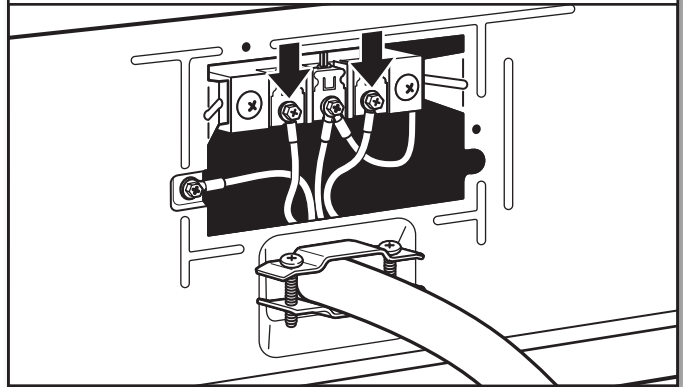
Connect neutral ground wire (E) and neutral wire (white or center) (C) of power supply cord under center terminal block screw (B). Tighten screw.

3. Connect ground wire



Connect ground wire (F) (green or bare) of power supply cord under green external ground conductor screw (A). Tighten screw.

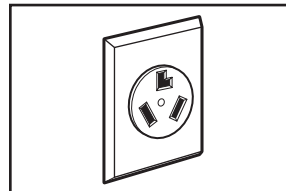
4. Connect remaining wires



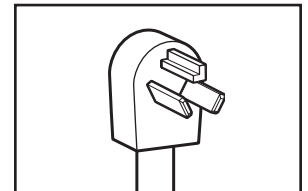
Connect remaining wires under outer terminal block screws. Tighten screws. Finally, reinsert tab of terminal block cover into slot of dryer rear panel. Secure cover with hold-down screw. Now, go to "Connect Outlet Hose."

3-Wire Power Supply Cord Connection

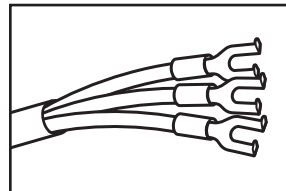
Use where local codes permit connecting cabinet-ground conductor to neutral wire.



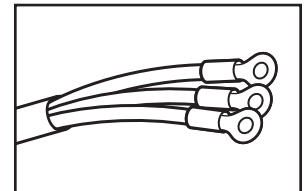
3-wire receptacle (NEMA type 10-30R)



3 prong plug

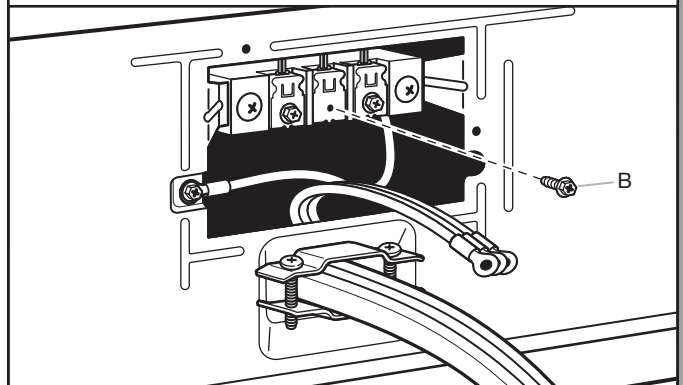


Spade terminals with upturned ends



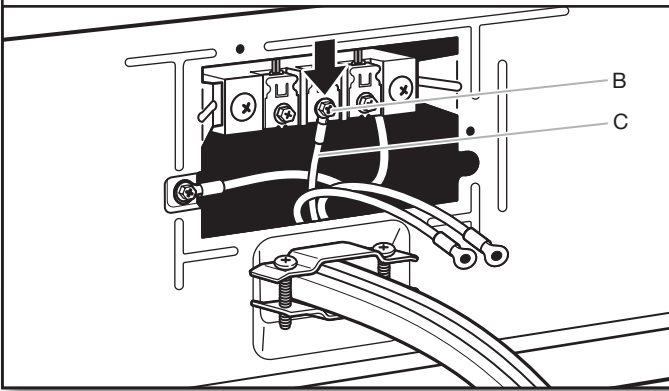
Ring terminals

1. Remove center screw



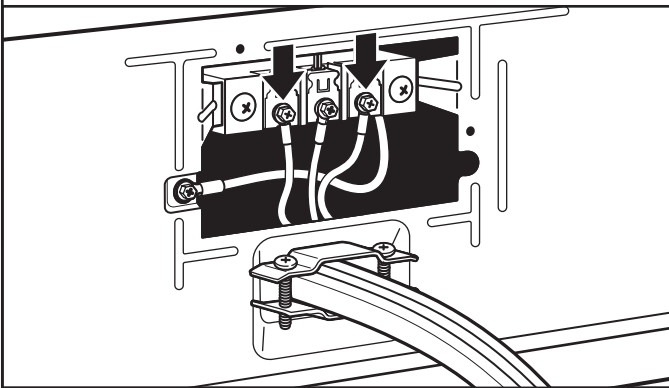
Remove center terminal block screw (B).

2. Connect neutral wire



Connect neutral wire (white or center) (C) of power supply cord under center terminal block screw (B). Tighten screw.

3. Connect remaining wires



Connect remaining wires under outer terminal block screws. Tighten screws. Finally, reinsert tab of terminal block cover into slot of dryer rear panel. Secure cover with hold-down screw. Now, go to "Connect Outlet Hose."

Direct Wire Connection

⚠ WARNING



Fire Hazard

Use 10 gauge copper wire.

Use a UL listed strain relief.

Disconnect power before making electrical connections.

Connect neutral wire (white or center wire) to center terminal.

Ground wire (green or bare wire) must be connected to green ground connector.

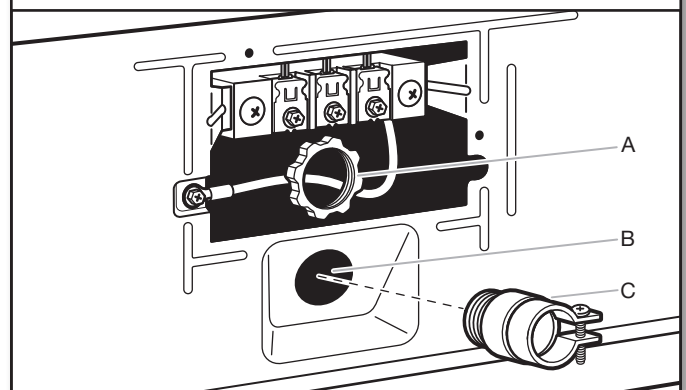
Connect remaining 2 supply wires to remaining 2 terminals (gold).

Securely tighten all electrical connections.

Failure to do so can result in death, fire, or electrical shock.

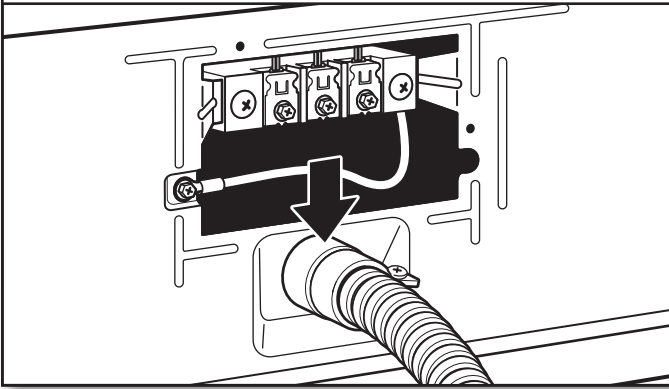
Direct wire strain relief

1. Attach direct wire strain relief



Unscrew the removable conduit connector (A) and any screws from a 3/4" (19 mm) UL Listed strain relief (UL marking on strain relief). Put the threaded section of the strain relief (C) through the hole below the terminal block opening (B). Reaching inside the terminal block opening, screw the removable conduit connector (A) onto the strain relief threads, and tighten securely.

2. Attach direct wire cable to strain relief

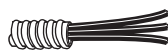


Put direct wire cable through the strain relief. The strain relief should have a tight fit with the dryer cabinet and be in a horizontal position. Tighten strain relief screw against the direct wire cable.

If your wiring looks like this:



4-wire direct connection:
Go to "4-Wire Direct Wire Connection."

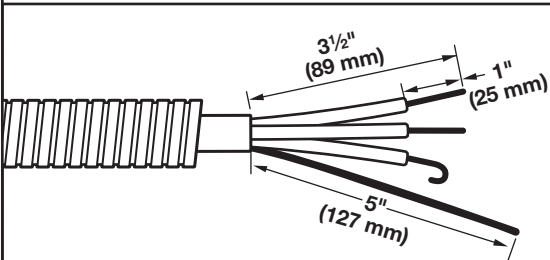


3-wire direct connection:
Go to "3-Wire Direct Wire Connection."

4-Wire Direct Wire Connection

IMPORTANT: A 4-wire connection is required for mobile homes and where local codes do not permit 3-wire connections.

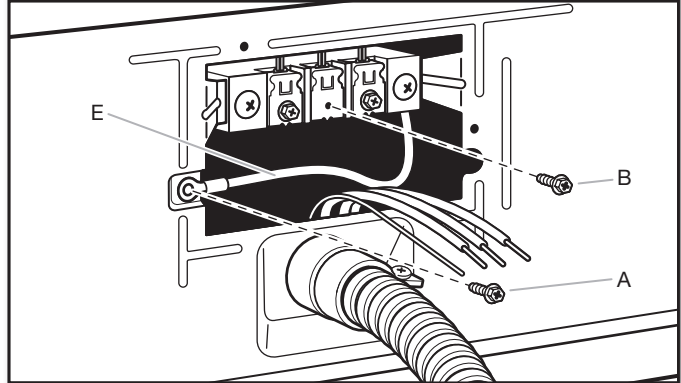
1. Prepare your 4-wire cable for direct connection



Direct wire cable must have 5 ft. (1.52 m) of extra length so dryer may be moved if needed.

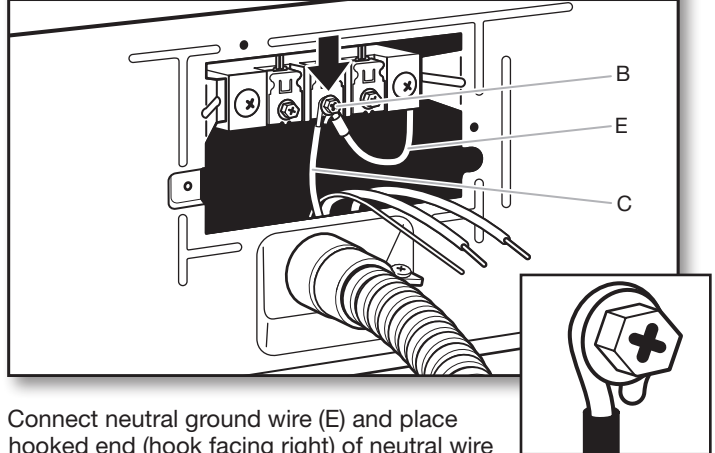
Strip 5" (127 mm) of outer covering from end of cable, leaving bare ground wire at 5" (127 mm). Cut 1 1/2" (38 mm) from remaining 3 wires. Strip insulation back 1" (25 mm). Shape ends of wires into hooks.

2. Prepare to connect neutral ground wire and neutral wire



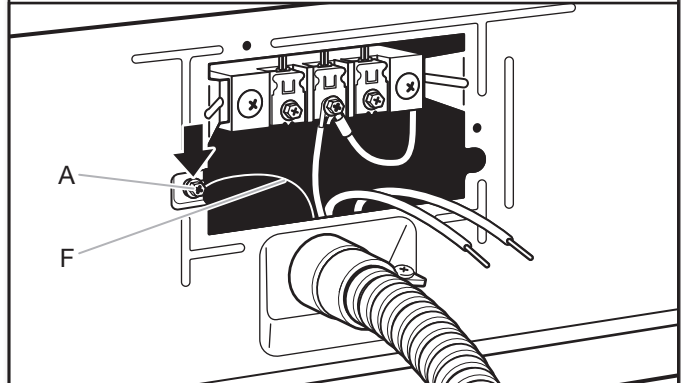
Remove center terminal block screw (B). Remove neutral ground wire (E) from green external ground conductor screw (A).

3. Connect neutral ground wire and neutral wire



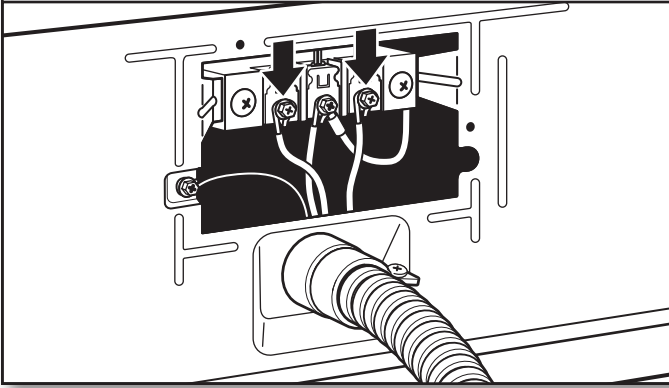
Connect neutral ground wire (E) and place hooked end (hook facing right) of neutral wire (white or center wire) (C) of direct wire cable under center screw of terminal block (B). Squeeze hooked ends together and tighten screw.

4. Connect ground wire



Connect ground wire (green or bare) (F) of direct wire cable under green external ground conductor screw (A). Tighten screw.

5. Connect remaining wires

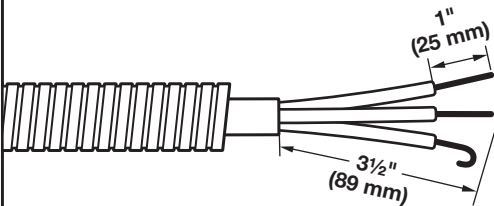


Place hooked ends of remaining direct wire cable wires under outer terminal block screws (hooks facing right). Squeeze hooked ends together and tighten screws. Finally, reinsert tab of terminal block cover into slot of dryer rear panel. Secure cover with hold-down screw. Now, go to “Connect Outlet Hose.”

3-Wire Direct Wire Connection

Use where local codes permit connecting cabinet-ground conductor to neutral wire.

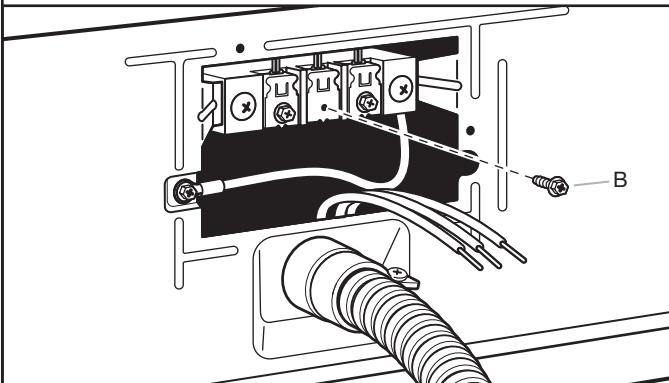
1. Prepare your 3-wire cable for direct connection



Direct wire cable must have 5 ft. (1.52 m) of extra length so dryer may be moved if needed.

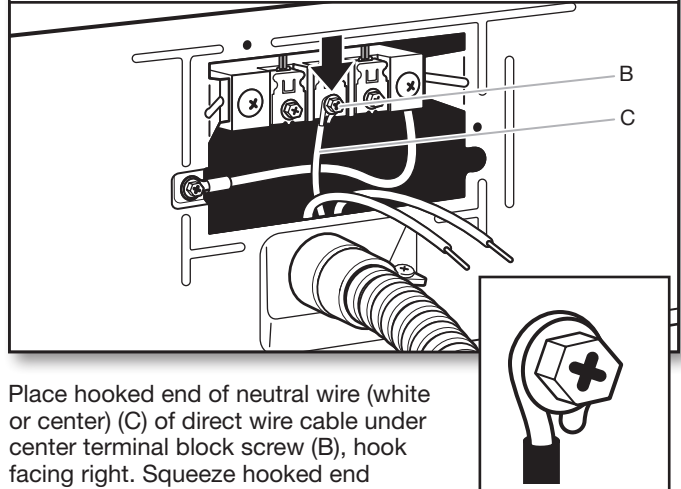
Strip 3 1/2" (89 mm) of outer covering from end of cable. Strip insulation back 1" (25 mm). If using 3-wire cable with ground wire, cut bare wire even with outer covering. Shape wire ends into hooks.

2. Remove center screw



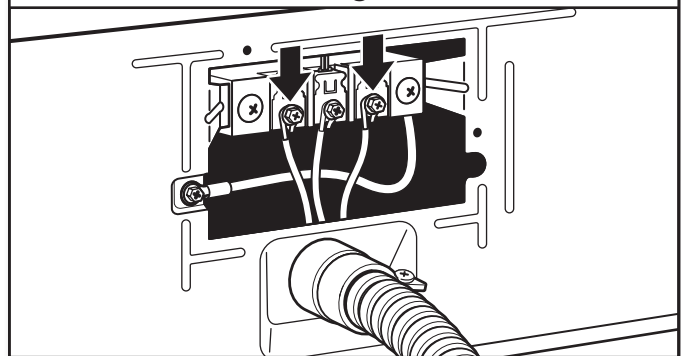
Remove center terminal block screw (B).

3. Connect neutral wire



Place hooked end of neutral wire (white or center) (C) of direct wire cable under center terminal block screw (B), hook facing right. Squeeze hooked end together. Tighten screw.

4. Connect remaining wires

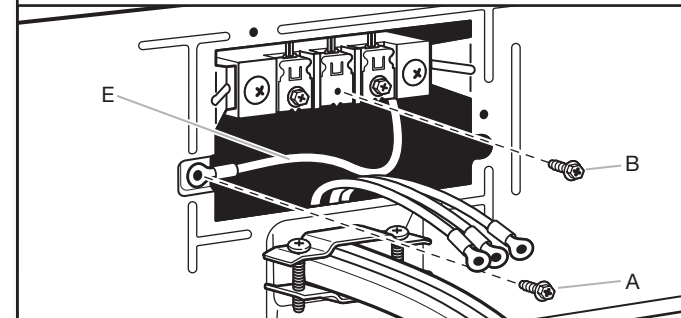


Place hooked ends of remaining direct wire cable wires under outer terminal block screws (hooks facing right). Squeeze hooked ends together and tighten screws. Finally, reinsert tab of terminal block cover into slot of dryer rear panel. Secure cover with hold-down screw. Now, go to “Connect Outlet Hose.”

Optional External Ground for 3-Wire Connection (Power Supply Cord Shown)

IMPORTANT: You must verify with a qualified electrician that this grounding method is acceptable before connecting.

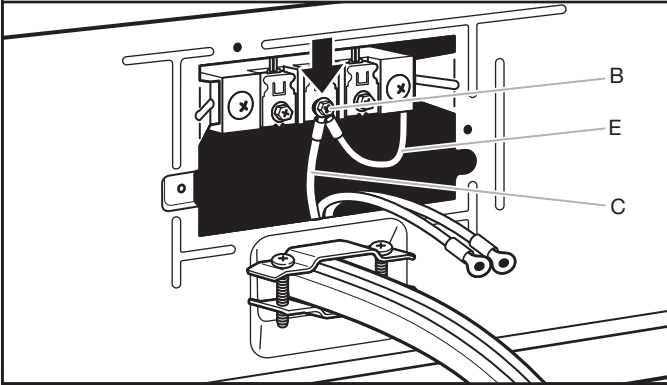
1. Prepare to connect neutral ground wire and neutral wire



Install the correct strain relief for your electrical connection method, as shown on page 9 or 11.

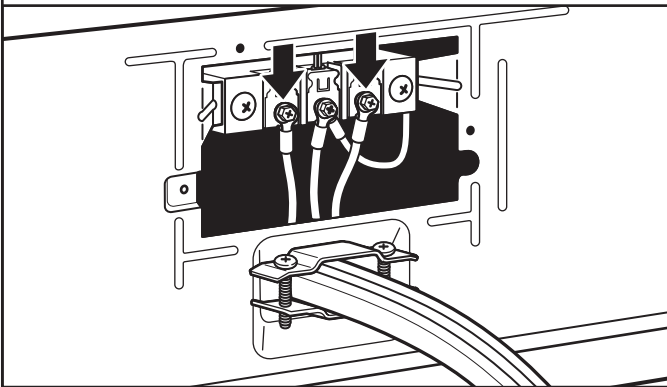
Remove center terminal block screw (B). Remove neutral ground wire (E) from green external ground conductor screw (A).

2. Connect neutral ground wire and neutral wire



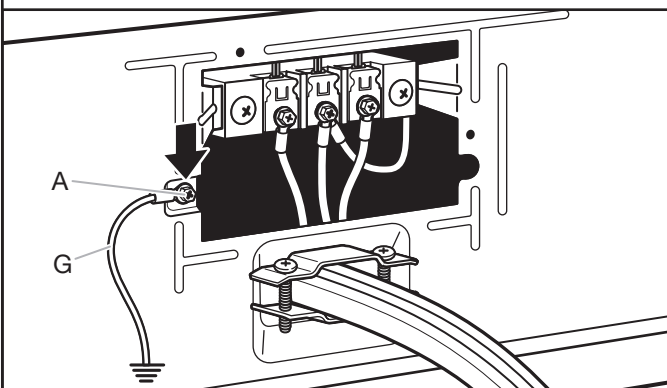
Connect neutral ground wire (E) and neutral wire (white or center wire) (C) of power supply cord or cable under center terminal block screw (B). Tighten screw.

3. Connect remaining wires



Place ends of remaining wires under outer terminal block screws. Tighten screws.

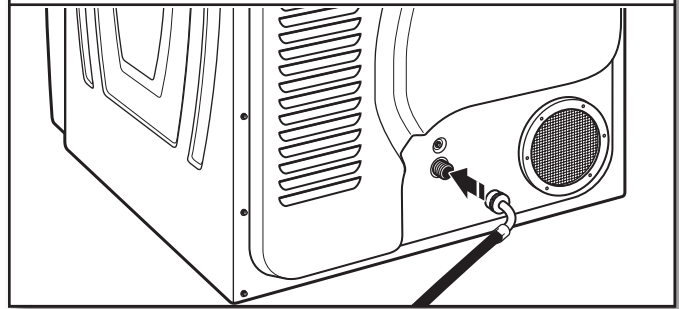
4. Connect external ground wire



Connect a separate copper ground wire (G) under the green external ground conductor screw (A) to an adequate ground. Finally, reinsert tab of terminal block cover into slot of dryer rear panel. Secure cover with hold-down screw. Now, go to "Connect Outlet Hose."

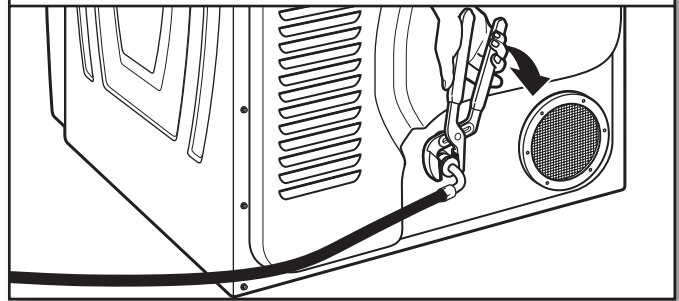
CONNECT OUTLET HOSE

1. Attach hose



Attach the goose-neck fitting of the provided 6 ft. (1.82 m) drain hose to the drain valve at the bottom of dryer back panel. Screw on coupling by hand until it is seated on valve connector.

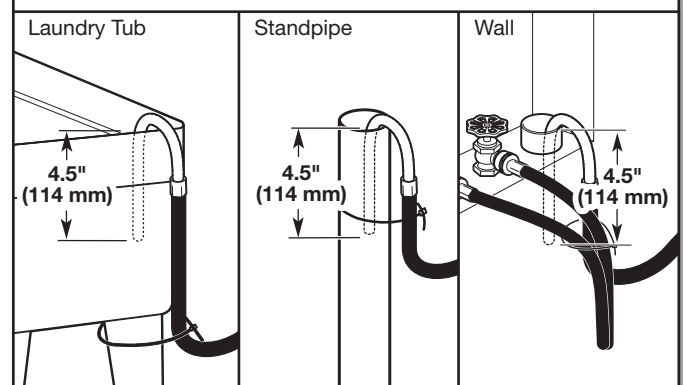
2. Tighten coupling



Using channel locks, tighten the coupling an additional two-thirds turn.

NOTE: Do not over-tighten. Damage to the coupling can result.

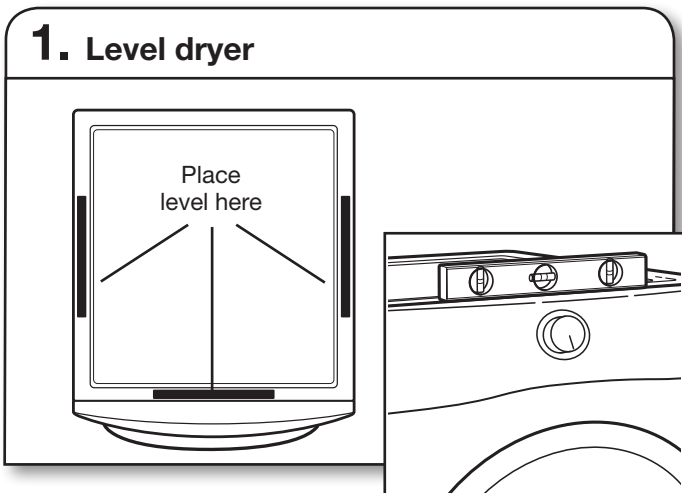
3. Secure drain hose system



Secure drain hose to laundry tub leg, drain standpipe, or inlet hoses for wall standpipe with cable tie.

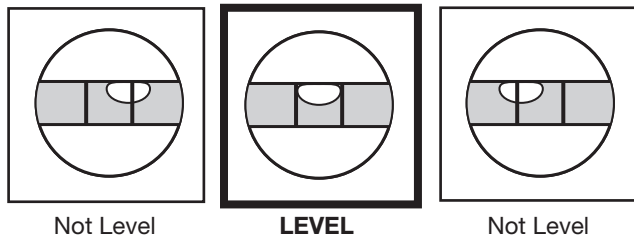
LEVEL DRYER

1. Level dryer

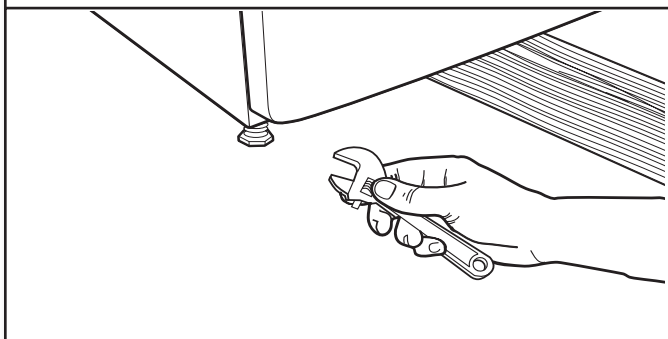


Check levelness of dryer from side to side. Repeat from front to back.

NOTE: The dryer must be level for the moisture-sensing system to operate correctly. If forward slope of dryer is greater than 1" (25 mm), water could run out from front of filter.



2. Adjust leveling legs



If dryer is not level, prop up using a wood block, use a wrench to adjust legs up or down, and check again for levelness. Once dryer is level, make sure all four legs are snug against the floor and dryer does not rock.

⚠ WARNING



Electrical Shock Hazard

Plug into a grounded 3 prong outlet.

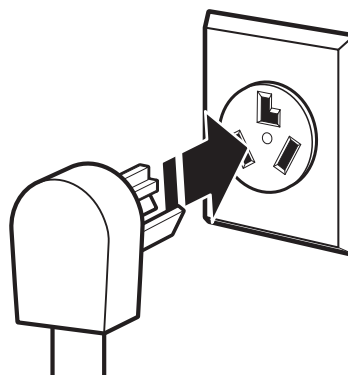
Do not remove ground prong.

Do not use an adapter.

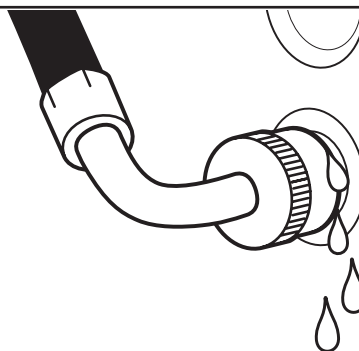
Do not use an extension cord.

Failure to follow these instructions can result in death, fire, or electrical shock.

3. Plug into a grounded 3 prong outlet



4. Check for leaks



While running the first cycle, check that there are no leaks from the drain hose.

COMPLETE INSTALLATION CHECKLIST

- Check that all parts are now installed. If there is an extra part, go back through steps to see what was skipped.
- Check that dryer is level. See “Level Dryer.”
- Check that you have all of your tools.
- Dispose of/recycle all packaging materials.
- Check dryer’s final location.
- Remove film on console and any tape remaining on dryer.
- Wipe dryer drum interior thoroughly with a damp cloth to remove any dust.
- Read “Dryer Use” in your Use and Care Guide.
- For power supply cord installation, plug into a grounded outlet. For direct wire installation, turn on power.
- Select a Timed Dry heated cycle and start dryer.
 - If dryer will not start, check the following:
 - Controls are set to a running or On position.
 - Start button has been pressed firmly.
 - Dryer is plugged into an outlet and/or electrical supply.
 - Household fuse is intact and tight or circuit breaker has not tripped.
 - Dryer door is closed.

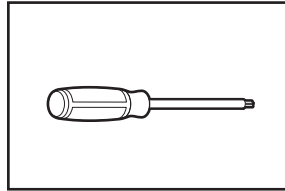
This dryer automatically runs an installation diagnostic routine at the start of its first cycle.

NOTE: You may notice an odor when dryer is first heated. This odor is common when heating element is first used. The odor will go away.

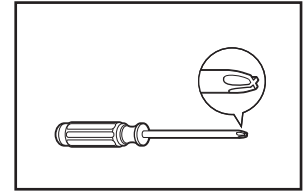
DOOR REVERSAL (OPTIONAL)

The following instructions are for models with round doors.

Tools needed:



Min. 8" (203 mm) long TORX®, T20® and T25®† screwdrivers

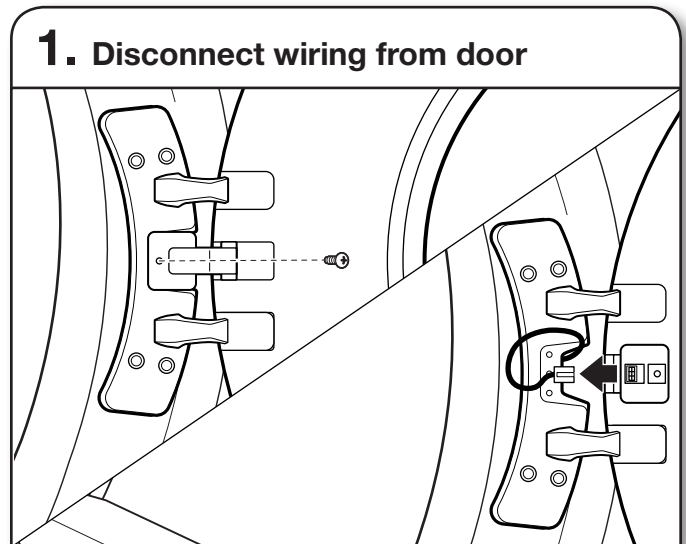


#2 Phillips screwdriver

DOORS WITH LCD SCREEN:

⚠ WARNING

Electrical Shock Hazard
Disconnect power before servicing.
Failure to do so can result in death or electrical shock.

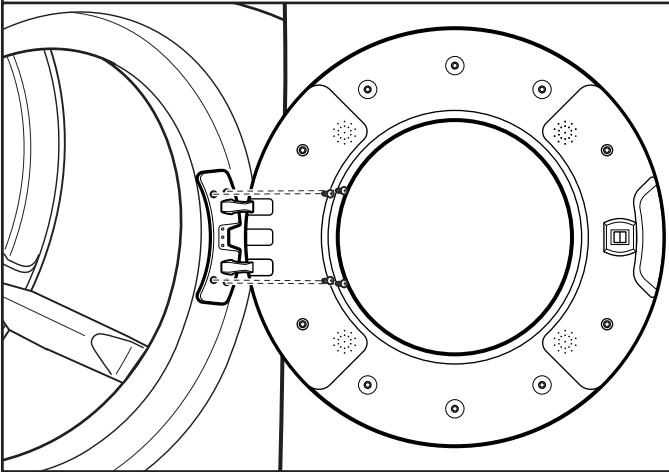


Using a Phillips screwdriver, remove middle screw in hinge. Disconnect wiring. Tuck wiring into opening.

†TORX, T20, and T25 are registered trademarks of Acument Intellectual Properties, LLC.

ALL DOORS:

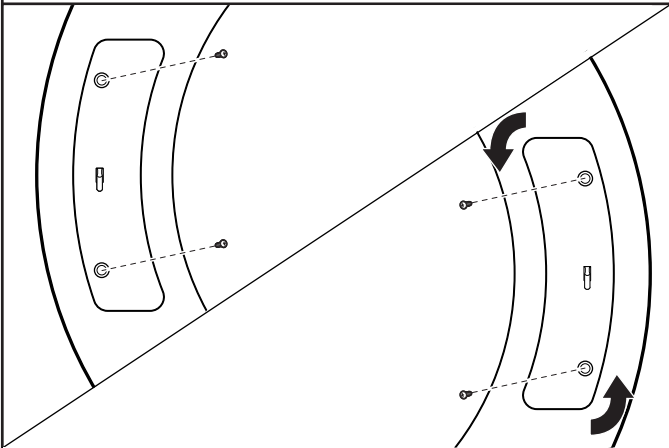
2. Remove door from dryer



IMPORTANT: If the protective film has not yet been removed from the dryer, peel the film from the dryer door before proceeding.

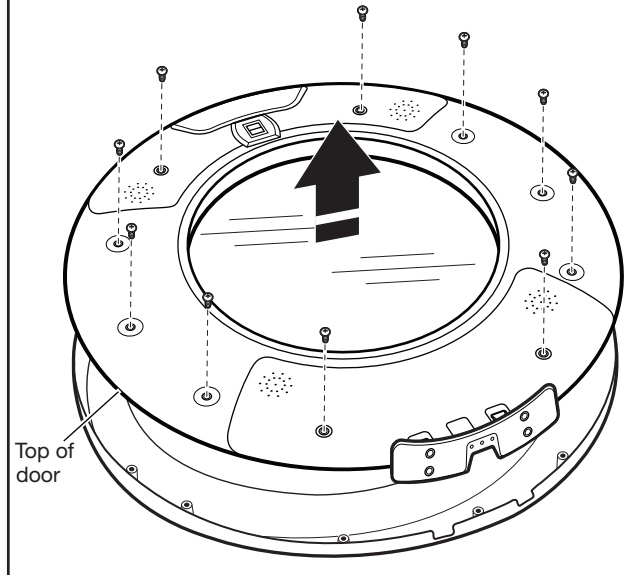
Using a T25® screwdriver, remove the four screws securing the door hinge to the dryer and lift the door up and out to remove. Place the door on a soft towel or other non-scratch surface.

3. Move the door strike



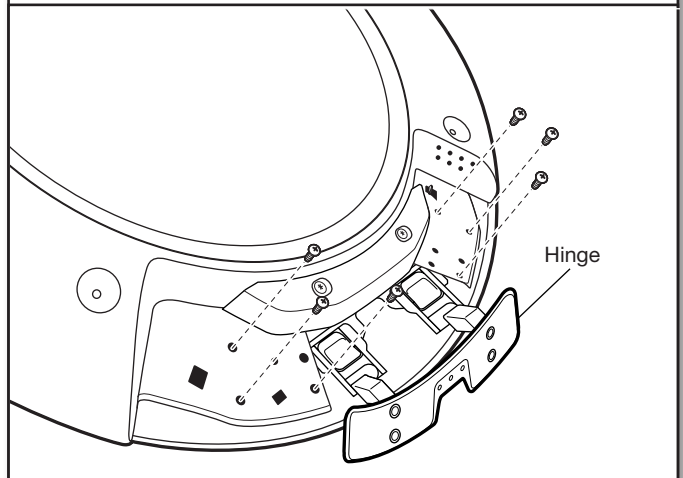
Using a T25® screwdriver, remove the two screws securing the door strike to the door frame of the dryer. Rotate the strike 180° and attach to the opposite side of dryer door frame with the two screws removed earlier, as shown.

4. Remove inner door from outer door



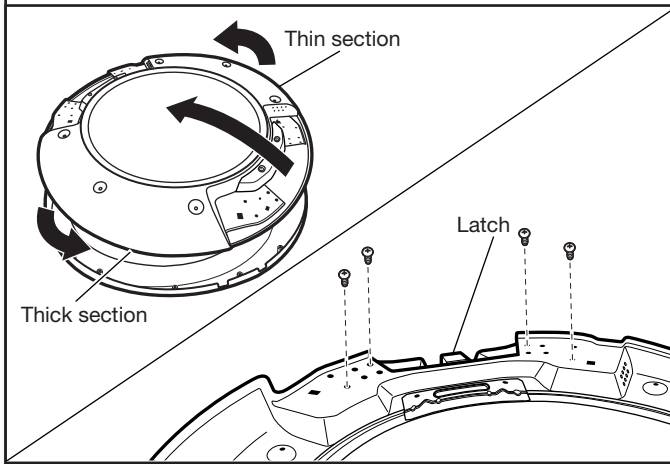
Position the door with the inside of the door facing up. Using a Phillips screwdriver, remove the 10 screws securing the inner door to the outer door.

5. Remove hinge



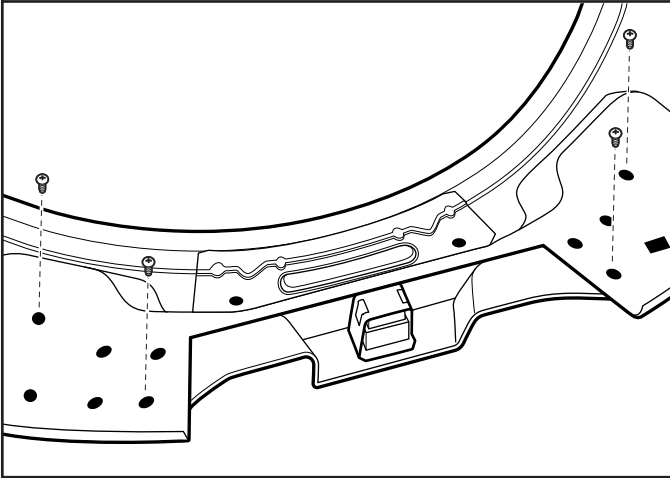
Using a T20® screwdriver, remove the six screws holding the hinge assembly in place.

6. Remove latch



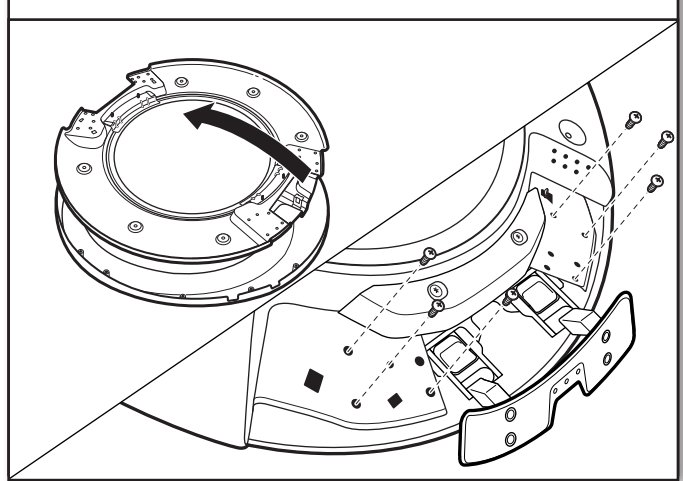
Flip and rotate the inner door 180° so that the thin section is at the top and the thick section is at the bottom. Using a T25® screwdriver, remove the four screws securing the latch plate in place.

7. Reinstall latch on opposite side



Using a T25® screwdriver, reinstall the latch plate on the opposite side from which it was removed with the four screws removed earlier.

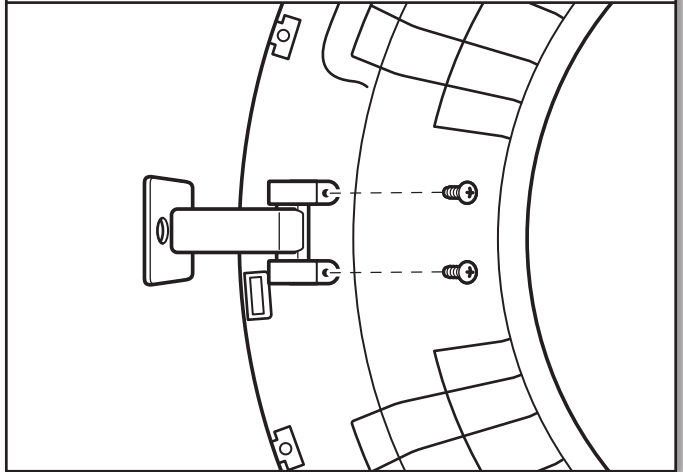
8. Reinstall hinge assembly on opposite side



Flip over the inner door to the left. Using a T20® screwdriver, reinstall the hinge assembly on the opposite side from which it was removed.

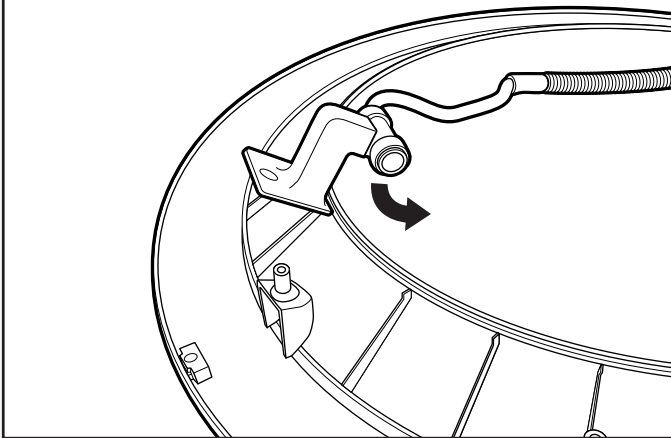
DOORS WITH LCD SCREEN:

9. Remove rotating assembly



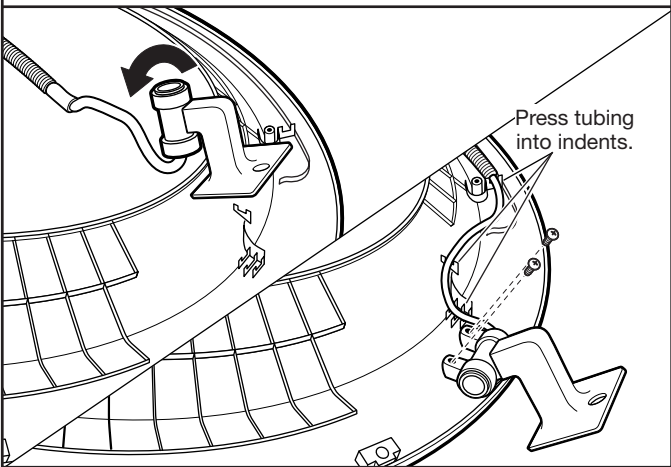
Lift off inner door assembly. Using a Phillips screwdriver, remove the two screws securing the rotating assembly to the door.

10. Reposition rotating assembly and tubing



Reposition rotating assembly and tubing 180° to opposite side of the door.

11. Rotate assembly bottom and fasten in place

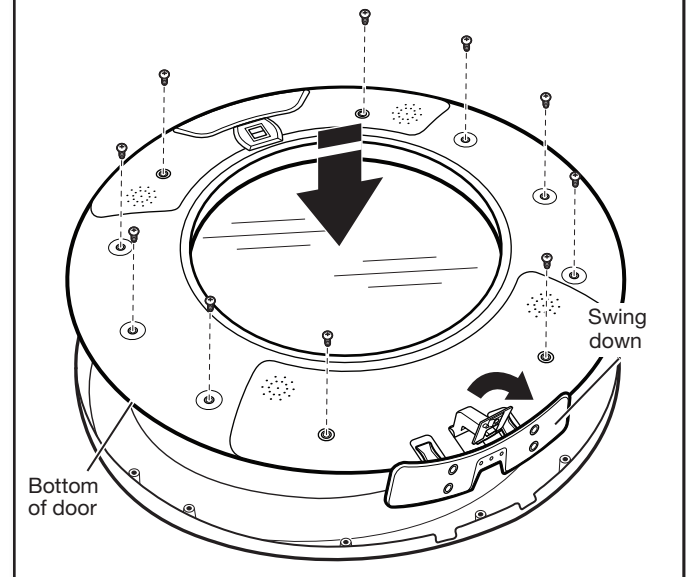


Rotate bottom of assembly 180° towards you and secure assembly with the two screws removed earlier, using a Phillips screwdriver. Press tubing into indents.

IMPORTANT: Make sure to swing hinge down in front of rotating assembly (see Step 12).

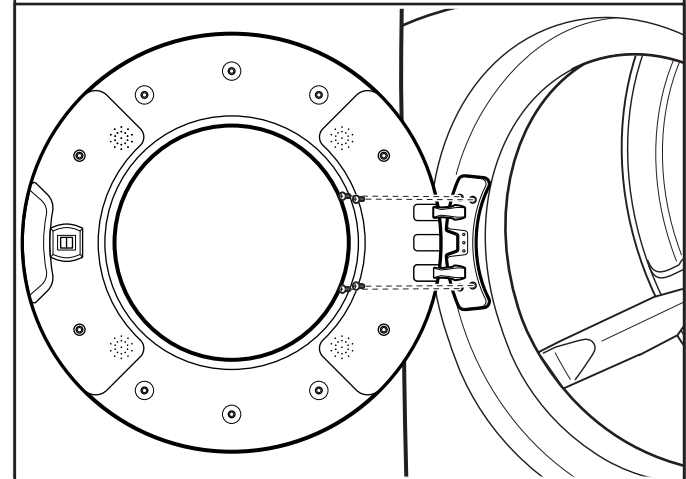
ALL DOORS:

12. Reinstall inner door assembly



Position the door with the inside of the door facing up. Using a Phillips screwdriver, reinstall the 10 screws removed earlier, securing the inner door to the outer door.

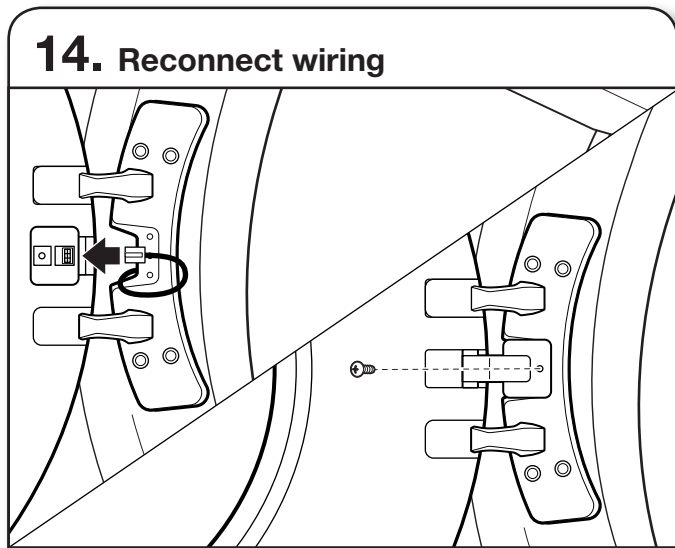
13. Reinstall door on dryer



Doors with electrical wiring: Pull the wire through the front panel opening before reinstalling the door.

Insert the tabs on the hinge into the mounting slot and slide down to engage the top tab. Secure in place with the four T25® screws removed earlier.

DOORS WITH LCD SCREEN:



Plug in wire. Using a Phillips screwdriver, secure the rotating assembly to the hinge with the screw removed earlier.

TROUBLESHOOTING

See the Use and Care Guide or visit our website and reference Frequently Asked Questions to possibly avoid the cost of a service call.

SÉCURITÉ DE LA SÈCHEUSE

Votre sécurité et celle des autres est très importante.

Nous donnons de nombreux messages de sécurité importants dans ce manuel et sur votre appareil ménager. Assurez-vous de toujours lire tous les messages de sécurité et de vous y conformer.



Voici le symbole d'alerte de sécurité.

Ce symbole d'alerte de sécurité vous signale les dangers potentiels de décès et de blessures graves à vous et à d'autres.

Tous les messages de sécurité suivront le symbole d'alerte de sécurité et le mot "DANGER" ou "AVERTISSEMENT". Ces mots signifient :

 **DANGER**

Risque possible de décès ou de blessure grave si vous ne suivez pas immédiatement les instructions.

 **AVERTISSEMENT**

Risque possible de décès ou de blessure grave si vous ne suivez pas les instructions.

Tous les messages de sécurité vous diront quel est le danger potentiel et vous disent comment réduire le risque de blessure et ce qui peut se produire en cas de non-respect des instructions.



AVERTISSEMENT - "Risque d'incendie"

- L'installation de la sècheuse à linge doit être effectuée par un installateur qualifié.
- Installer la sècheuse conformément aux instructions du fabricant et aux codes locaux.
- Pour réduire le risque de blessure grave ou de décès, suivre toutes les instructions d'installation.
- Conserver ces instructions.

Certaines pièces internes sont intentionnellement non reliées à la terre et peuvent présenter un risque de choc électrique uniquement lors d'une intervention de dépannage.

Personnel d'entretien - Ne pas toucher le support du thermostat lorsque l'appareil est sous tension.

IMPORTANTES INSTRUCTIONS DE SÉCURITÉ

Avant de jeter ou de ranger votre vieille sècheuse, enlever la porte.

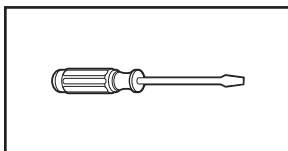
CONSERVEZ CES INSTRUCTIONS

EXIGENCES D'INSTALLATION

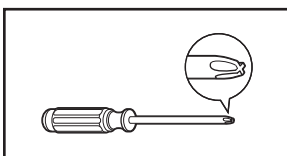
OUTILLAGE ET PIÈCES

Rassembler les outils et composants nécessaires avant d'entreprendre l'installation.

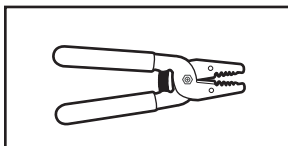
Outillage nécessaire :



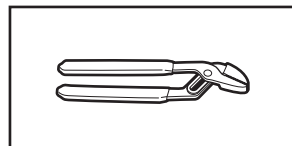
Tournevis à lame plate



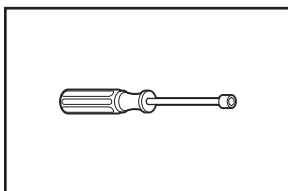
Tournevis Phillips n° 2



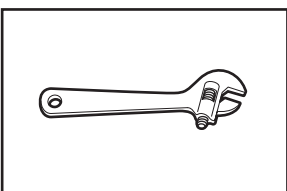
Pince à dénuder
(pour les installations
à raccordement direct)



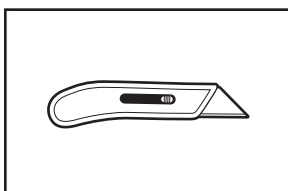
Pince multiprise



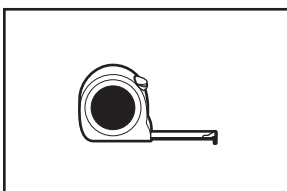
Tourne-écrou de 1/4"
et 5/16" (recommandé)



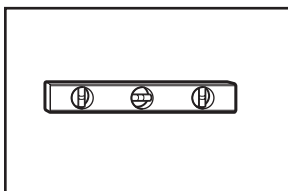
Clé à molette avec
ouverture jusqu'à 1"
(25 mm) ou clé à douille
à tête hexagonale



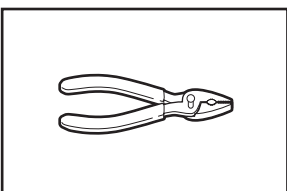
Couteau



Mètre-ruban

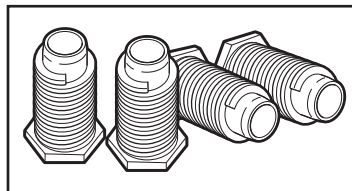


Niveau

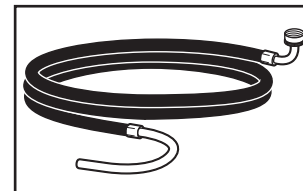


Pince

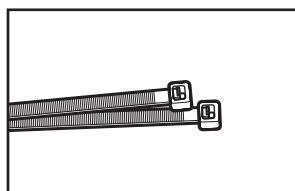
Pièces fournies:



Pieds de nivellement (4)



Tuyau flexible de vidange
de 6 pi (1,82 m) avec
raccords



Serre-câbles (2)

Le sachet de pièces se trouve dans le tambour de la sècheuse. Vérifier que toutes les pièces sont présentes.

REMARQUE : Ne pas utiliser les pieds de nivellement si la sècheuse doit être installée sur un piédestal ou un ensemble superposé.

En cas d'utilisation d'un câble d'alimentation électrique :

Utiliser un ensemble de câble d'alimentation électrique homologué UL marqué compatible avec les sècheuses. L'ensemble doit contenir :

- Un câble d'alimentation électrique homologué UL de 30 A, 120/240 V minimum. Le cordon doit être de type SRD ou SRDT et mesurer au moins 4 pi (1,22 m) de long. Les fils raccordés à la sècheuse doivent se terminer par des cosses rondes ou à fourche à pointes relevées.
- Un serre-câble (homologation UL).

Accessoires supplémentaires :

(Non fourni avec la sècheuse)

Se référer au Guide d'utilisation et d'entretien pour des renseignements sur les accessoires disponibles pour la sècheuse.

EXIGENCES D'EMPLACEMENT

Vérifier les spécifications des codes. Certains codes limitent ou interdisent l'installation des sècheuses dans un garage, un placard, une maison mobile ou une chambre à coucher. Contacter l'inspecteur en bâtiments local.

⚠️ AVERTISSEMENT



Risque d'explosion

Garder les matières et les vapeurs inflammables, telle que l'essence, loin de la sècheuse.

Placer la sècheuse au moins 460 mm (18 po) au-dessus du plancher pour une installation dans un garage.

Le non-respect de ces instructions peut causer un décès, une explosion ou un incendie.

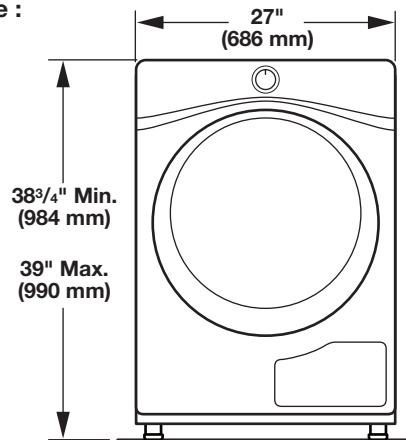
Il vous faudra :

- Un circuit séparé de 30 A.
- Si on utilise un cordon d'alimentation, une prise électrique avec liaison à la terre située à moins de 2 pi (610 mm) de l'un des côtés de la sècheuse. Voir "Spécifications électriques".
- Le plancher doit supporter le poids de la sècheuse de 200 lb (90,7 kg). Il faut également prendre en compte le poids des appareils ménagers voisins.
- Un plancher de niveau ayant une pente maximale de 1" (25 mm) sous l'ensemble de la sècheuse. Si la pente vers l'avant est supérieure à 1" (25 mm), de l'eau pourrait s'échapper de l'avant du filtre. Installer un ensemble de pieds d'extension pour sècheuse, référence 279810. Si la sècheuse n'est pas d'aplomb, le linge peut ne pas culbutter convenablement, et les programmes automatiques commandés par détecteur peuvent ne pas fonctionner correctement.
- Pour l'installation dans un garage, placer la sècheuse à au moins 18" (460 mm) au-dessus du sol. En cas d'utilisation d'un piédestal, il faudra 18" (460 mm) jusqu'au fond de la sècheuse.
- La sècheuse ne doit pas être installée ou remise dans un endroit où elle sera exposée à l'eau et/ou aux intempéries.

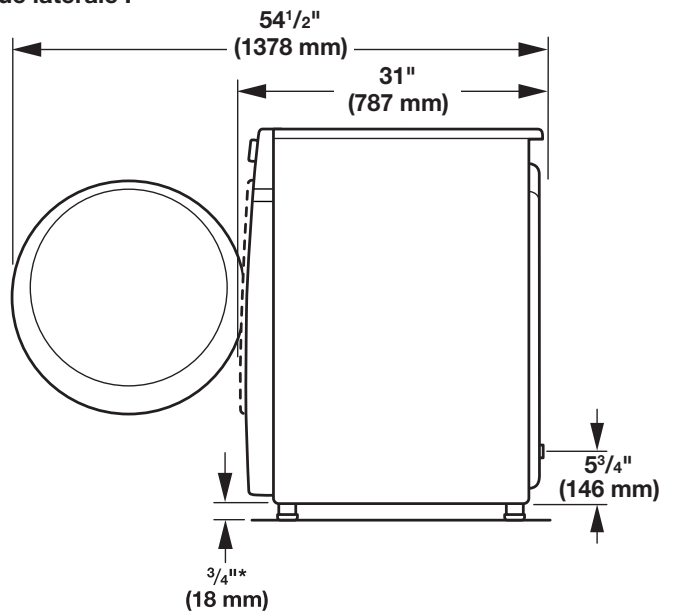
IMPORTANT : Ne pas faire fonctionner, installer ou remettre la sècheuse dans un endroit où elle sera exposée à l'eau, aux intempéries ou à des températures inférieures à 40 °F (4 °C). Des températures inférieures pourraient empêcher l'arrêt de la sècheuse à la fin des programmes automatiques commandés par détecteur, et causer des durées prolongées de séchage.

DIMENSIONS DE LA SÈCHEUSE

Vue de face :

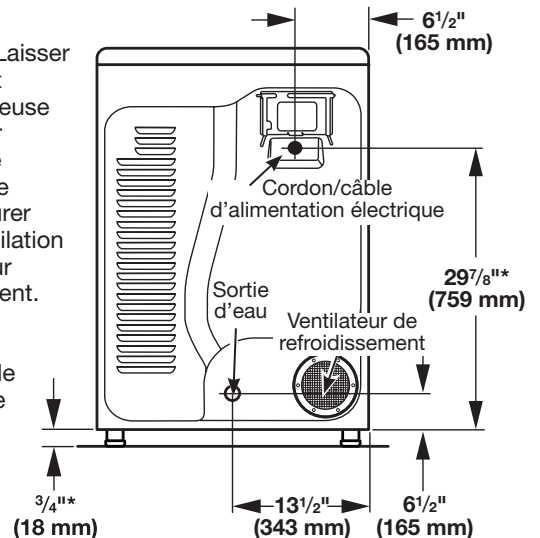


Vue latérale :



Vue arrière :

REMARQUE : Laisser un dégagement derrière la sècheuse pour acheminer correctement le tuyau flexible de vidange et assurer une bonne ventilation par le ventilateur de refroidissement. Repousser la sècheuse aussi loin que possible et s'assurer que le tuyau de vidange n'est pas écrasé ou déformé.



*Mesures approximatives

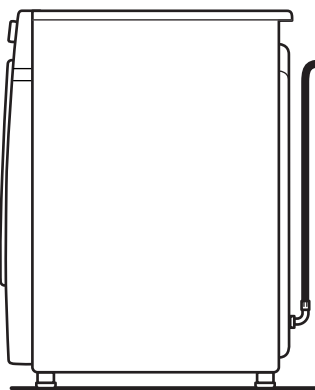
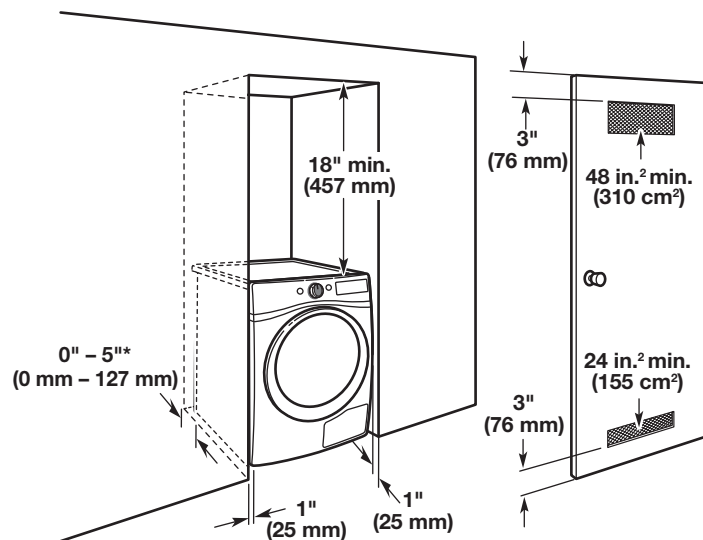
IMPORTANT : Ne pas bloquer le ventilateur de refroidissement; cela pourrait empêcher la sècheuse de fonctionner correctement.

Espacement pour une installation dans un encastrement ou dans un placard :

Les dimensions indiquées correspondent à l'espacement minimal permis.

- Prévoir davantage d'espace pour faciliter l'installation et l'entretien.
- Un espace supplémentaire peut être requis pour le mur, la porte, le plancher, les moulures et le système de vidange.
- Un espace supplémentaire doit être envisagé de tous les côtés de la sècheuse afin de réduire le transfert de bruit.
- Pour installation dans un placard avec porte, on doit prévoir des ouvertures minimums d'entrée d'air en haut et en bas de la porte. Les portes à claire-voie offrant des ouvertures équivalentes de passage de l'air sont acceptables.
- Il faut aussi prendre en compte l'espace requis entre les appareils voisins.

Distances de dégagement recommandées pour l'installation (sècheuse seulement) :



***REMARQUE :** Un espacement de 0" (0 mm) est permis derrière la sècheuse tant que le tuyau ne se déforme pas ou ne se coince pas.

Installation dans une résidence mobile – exigences supplémentaires :

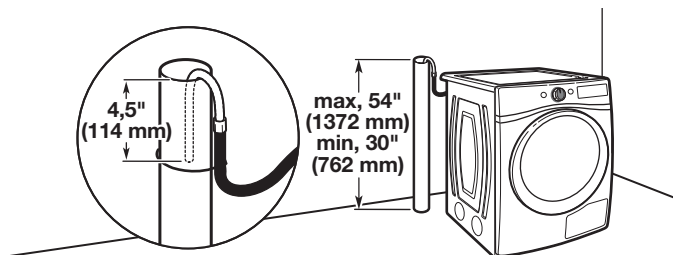
Cette sècheuse peut être installée dans une maison mobile. L'installation doit se conformer aux critères de la Manufactured Home Construction and Safety Standard, Titre 24 CFR, partie 3280 (anciennement Federal Standard for Mobile Home Construction and Safety, Titre 24 HUD, partie 280) ou de la Norme CAN/CSA-Z240MH.

SYSTÈME DE VIDANGE

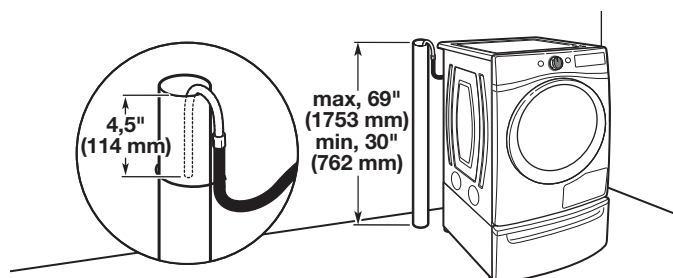
Le système de vidange peut être installé à l'aide d'un conduit d'évacuation au plancher, un tuyau rigide de rejet à l'égout mural, un tuyau rigide de rejet à l'égout au plancher ou un évier de buanderie. Sélectionner la méthode à utiliser.

IMPORTANT : Pour éviter un effet de siphon, pas plus de 4,5" (114 mm) de tuyau de vidange ne devrait être inséré à l'intérieur de la canalisation d'évacuation. Toujours immobiliser le tuyau de vidange avec un serre-câble.

Système de vidange avec tuyau de rejet à l'égout au plancher



Sans piédestal

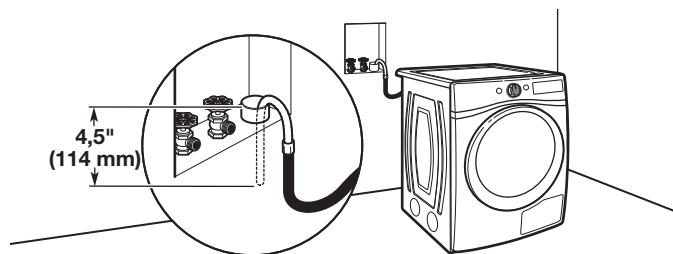


Avec piédestal assorti de 15" (381 mm)

Diamètre minimal pour un tuyau de rejet à l'égout : 2" (51 mm). Capacité minimale d'écoulement : 17 gal (64 L) par minute. Un ensemble adaptateur de tuyau de rejet à l'égout de 1/4" (6 mm) à 1" (25 mm) de diamètre est disponible. Le tuyau vertical de rejet à l'égout doit avoir une hauteur d'au moins 30" (762 mm); ne pas l'installer à une hauteur supérieure à 54" (1,37 m) du bas de la sècheuse.

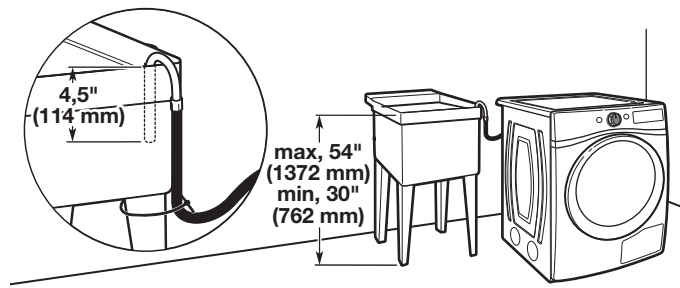
IMPORTANT : Seuls 4,5" (114 mm) de tuyau de vidange doivent se trouver à l'intérieur du tuyau de rejet à l'égout. Ne pas introduire toute la longueur du tuyau en surplus dans le tuyau rigide.

Système de vidange avec tuyau de rejet à l'égout mural



Voir les exigences pour le système de vidange avec tuyau de rejet à l'égout au plancher.

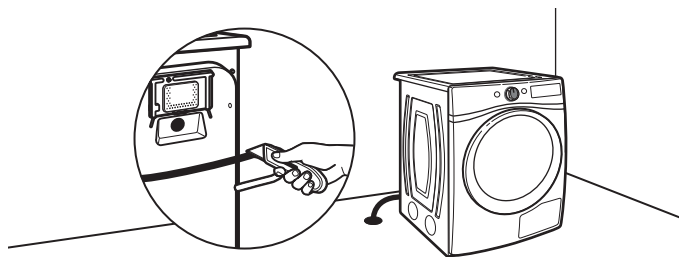
Système de vidange dans un évier de buanderie



Capacité minimale : 20 gal. (76 L). Le sommet de l'évier de buanderie doit se trouver à au moins 30" (762 mm) du plancher; ne pas l'installer à une hauteur supérieure à 54" (1,37 m) du fond de la sècheuse.

IMPORTANT : Seuls 4,5" (114 mm) de tuyau flexible de vidange doivent se trouver sur le côté de l'évier de buanderie. Ne pas mettre le tuyau de vidange dans le fond de l'évier de buanderie.

Système de vidange au sol



Éliminer le coude en U à l'extrémité du tuyau de vidange en le coupant à ras pour le système de vidange au sol illustré dans l'image ci-dessus.

REMARQUE : Couper le tuyau de sorte qu'il n'entre pas plus profondément que 4,5" (114 mm) dans l'évacuation du plancher pour éviter tout phénomène de siphonnage.

SÈCHEUSE ÉLECTRIQUE RACCORDEMENT À L'ALIMENTATION ÉLECTRIQUE – CANADA SEULEMENT SPÉCIFICATIONS ÉLECTRIQUES

⚠ AVERTISSEMENT



Risque de choc électrique

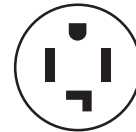
Brancher sur une prise à 4 alvéoles reliée à la terre.

Le non-respect de cette instruction peut causer un décès ou un choc électrique.

C'est à l'utilisateur qu'incombe la responsabilité de :

- Contacter un électricien qualifié.

- S'assurer que le raccordement électrique est adéquat et conforme au Code canadien de l'électricité, C22.1 – dernière édition, et à tous les codes locaux en vigueur. Pour obtenir un exemplaire des normes des codes ci-dessus, contacter : Canadian Standards Association, 178 Rexdale Blvd., Toronto, ON M9W 1R3 CANADA.
- L'appareil doit être alimenté uniquement par un circuit monophasé de 120/240 V CA seulement, 60 Hz à 4 fils, sur un circuit séparé de 30 A, fusionné aux deux extrémités de la ligne. On recommande d'utiliser un fusible ou un disjoncteur temporisé. On recommande également que cet appareil soit alimenté par un circuit indépendant.
- Cette sècheuse est équipée d'un cordon d'alimentation homologué par la CSA International à introduire dans une prise murale standard 14-30R. Le cordon mesure 5 pi (1,52 m). Veiller à ce que la prise murale se trouve à proximité de l'emplacement définitif de la sècheuse.



Prise murale à 4 fils (14-30R)

- Ne pas utiliser de rallonge.

Lorsqu'on utilise un cordon d'alimentation de rechange, il est recommandé d'utiliser le cordon d'alimentation de rechange, pièce n° 8579325. Pour plus de renseignements, consulter les numéros de service indiqués à la section "Assistance ou service" du Guide d'utilisation et d'entretien.

INSTRUCTIONS DE LIAISON À LA TERRE

- Pour une sècheuse reliée à la terre et connectée par un cordon :

Cette sècheuse doit être reliée à la terre. En cas de mauvais fonctionnement ou de panne, la liaison à la terre réduira le risque de choc électrique en offrant au courant électrique un acheminement d'évacuation de moindre résistance. Cette sècheuse est alimentée par un cordon électrique comportant un conducteur relié à la terre et une fiche de branchement munie d'une broche de liaison à la terre. La fiche doit être branchée sur une prise appropriée qui est bien installée et reliée à la terre conformément à tous les codes et règlements locaux.

AVERTISSEMENT : Le raccordement incorrect de cet appareil au conducteur de liaison à la terre peut susciter un risque de choc électrique. En cas de doute quant à la qualité de liaison à la terre de la sècheuse, consulter un électricien ou un technicien ou un personnel qualifié. Ne pas modifier la fiche de branchement fournie avec la sècheuse; si la fiche ne correspond pas à la configuration de la prise de courant, demander à un électricien qualifié d'installer une prise de courant appropriée.

CONSERVEZ CES INSTRUCTIONS

INSTALLATION DES PIEDS DE NIVELLEMENT

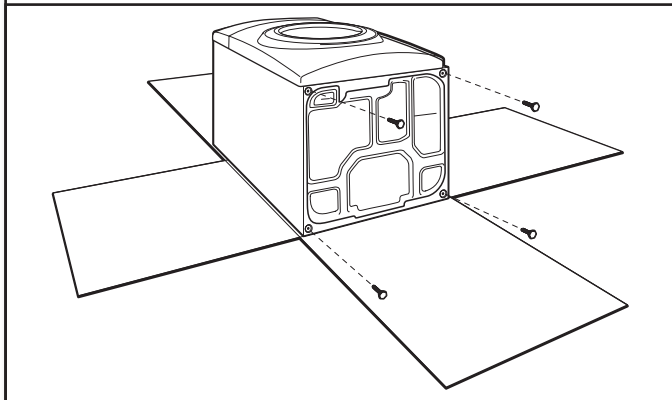
⚠ AVERTISSEMENT

Risque du poids excessif

Utiliser deux ou plus de personnes pour déplacer et installer la sècheuse.

Le non-respect de cette instruction peut causer une blessure au dos ou d'autre blessure.

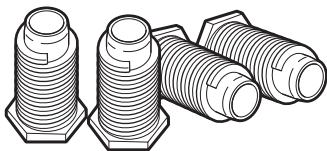
1. Préparer la sècheuse pour les pieds de nivellement



Pour ne pas endommager le plancher, utiliser une grande pièce de carton de l'emballage de la sècheuse; la placer sous tout le bord arrière de la sècheuse. Saisir fermement la sècheuse par la caisse (non par le panneau de commande) et incliner soigneusement la sècheuse sur le carton.

REMARQUE : De l'eau restante issue des tests en usine peut s'évacuer si la sècheuse est étendue sur le côté.

2. Visser dans les pieds de nivellement

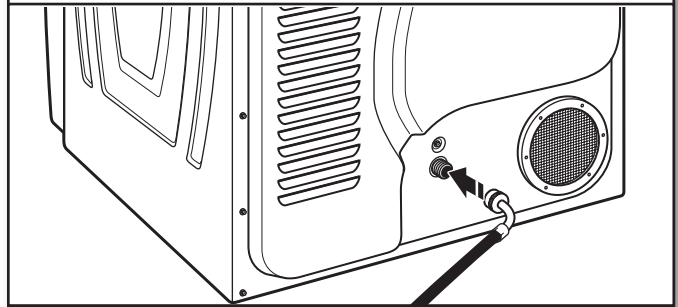


À l'aide d'une clé et d'un mètre-ruban, visser les pieds dans les trous pour pieds de nivellement jusqu'à ce que le bas de chaque pied se trouve à environ 1/2" (13 mm) depuis le bas de la sècheuse.

À présent, redresser la sècheuse et la placer sur ses pieds. Faire glisser la sècheuse jusqu'à ce qu'elle se trouve à proximité de son emplacement final.

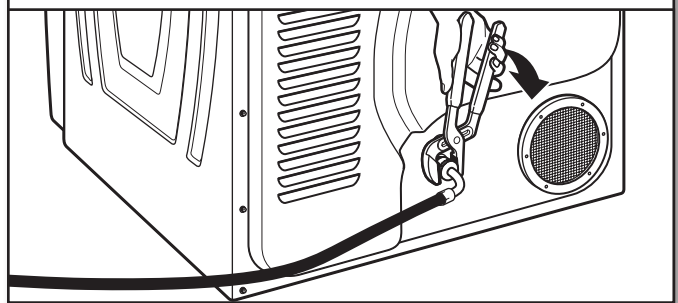
CONNEXION DU TUYAU DE SORTIE

1. Fixation du tuyau



Fixer le raccord col-de-cygne du tuyau de vidange de 6 pieds (1,82 m) fourni à l'électrovanne de vidange en bas du panneau arrière de la sècheuse. Visser la bague à la main jusqu'à ce qu'elle repose sur le raccord de l'électrovanne.

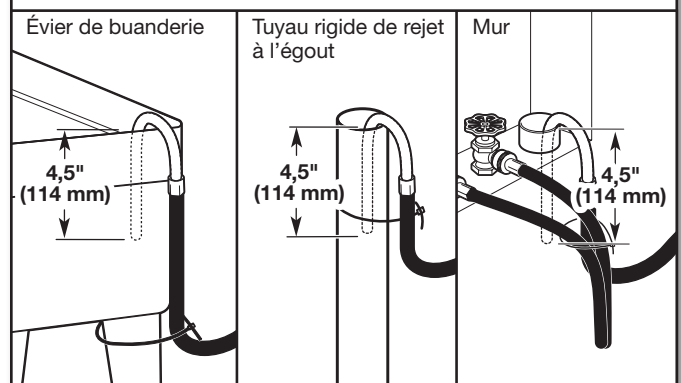
2. Serrer la bague



Terminer le serrage de la bague de deux tiers de tour supplémentaire avec la pince multiprise.

REMARQUE : Ne pas serrer excessivement. Le raccord risque d'être endommagé.

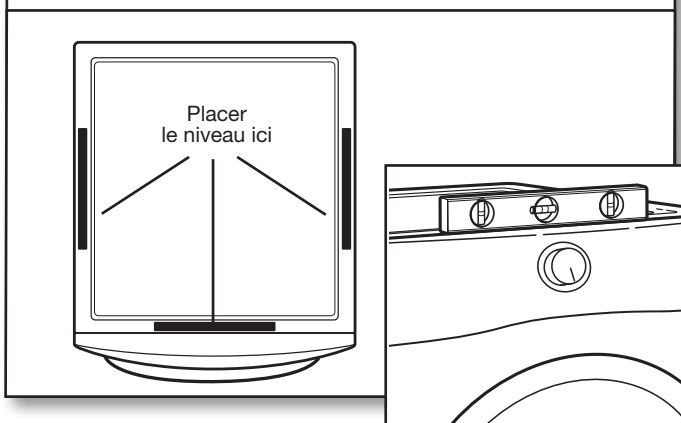
3. Fixer le tuyau de vidange



Fixer le tuyau de vidange avec le serre-câble au pied de l'évier de buanderie, au tuyau rigide de rejet à l'égout ou aux tuyaux d'arrivée d'eau pour le tuyau de rejet à l'égout mural rigide.

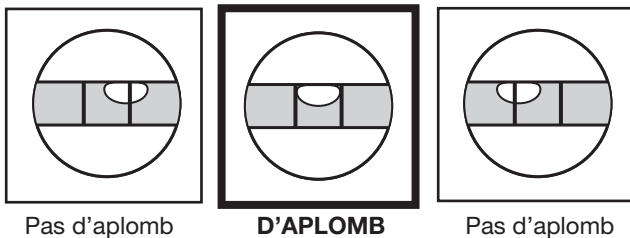
RÉGLAGE DE L'APLOMB DE LA SÈCHEUSE

1. Réglage de l'aplomb de la sècheuse

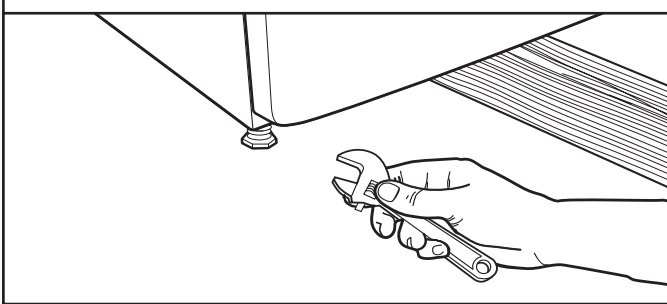


Vérifier l'aplomb de la sècheuse d'un côté à l'autre. Répéter l'opération de l'avant vers l'arrière.

REMARQUE : La sècheuse doit être d'aplomb pour que le système de détection d'humidité fonctionne correctement. Si la pente vers l'avant est supérieure à 1" (25 mm), de l'eau pourrait s'échapper de l'avant du filtre.



2. Ajuster les pieds de nivellement



Si la sècheuse n'est pas d'aplomb, la relever à l'aide d'un bloc de bois, utiliser une clé pour ajuster les pieds vers le haut ou vers le bas, et vérifier à nouveau si elle est d'aplomb. Une fois la sècheuse d'aplomb, s'assurer que les quatre pieds sont en contact ferme avec le plancher et que la sècheuse ne tangué pas.

⚠ AVERTISSEMENT



Risque de choc électrique

Brancher sur une prise à 3 alvéoles reliée à la terre.

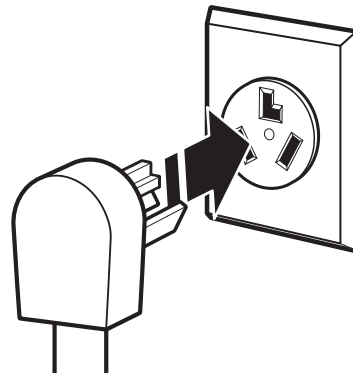
Ne pas enlever la broche de liaison à la terre.

Ne pas utiliser un adaptateur.

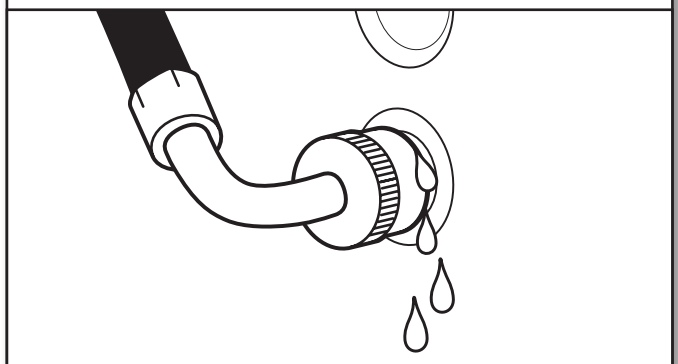
Ne pas utiliser un câble de rallonge.

Le non-respect de ces instructions peut causer un décès, un incendie ou un choc électrique.

3. Brancher l'appareil sur une prise à 3 alvéoles reliée à la terre



4. Recherche de fuites



Pendant l'exécution du premier programme, vérifier l'absence de fuite sur le tuyau de vidange.

ACHEVER L'INSTALLATION LISTE DE VÉRIFICATION

- Vérifier que toutes les pièces sont maintenant installées. S'il reste une pièce, passer en revue les différentes étapes pour découvrir laquelle aurait été oubliée.
- Vérifier que la sècheuse est d'aplomb. Voir "Réglage de l'aplomb de la sècheuse".
- Vérifier la présence de tous les outils.
- Éliminer/recycler les matériaux d'emballage.
- Vérifier l'emplacement définitif de la sècheuse.
- Retirer la pellicule sur le panneau de commande et tout ruban adhésif resté sur la sècheuse.
- Essuyer soigneusement l'intérieur du tambour de la sècheuse avec un chiffon humide pour éliminer toute trace de poussière.
- Lire la section "Utilisation de la sècheuse" dans le Guide d'utilisation et d'entretien.
- Mettre l'appareil sous tension.
- Sélectionner un programme de séchage minuté avec chaleur et mettre la sècheuse en marche.

Si la sècheuse ne démarre pas, vérifier ce qui suit :

- Les commandes sont placées dans une position de fonctionnement ou sur "On" (marche).
- On a appuyé fermement sur la touche Start (mise en marche).
- La sècheuse est branchée dans une prise et/ou l'alimentation électrique est branchée.
- Les fusibles du domicile sont intacts et serrés; le disjoncteur n'est pas déclenché.
- La porte de la sècheuse est fermée.

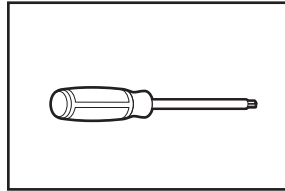
Cette sècheuse démarre automatiquement une procédure de diagnostic au début du premier programme.

REMARQUE : Il est possible que la sècheuse dégage une odeur lors du chauffage initial. Cette odeur est normale lorsque l'élément chauffant est utilisé pour la première fois. L'odeur disparaîtra.

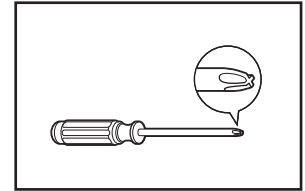
INVERSION DE LA PORTE (FACULTATIF)

Les instructions suivantes correspondent aux modèles avec portes arrondies.

Outils nécessaires :




Tournevis TORX®, T20® et T25®† de 8" (203 mm) min. de long



Tournevis Phillips n° 2

PORTES AVEC ACL :

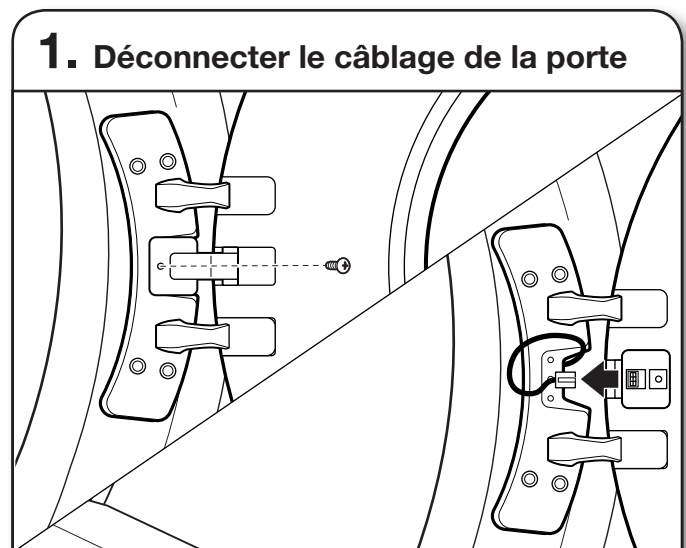
⚠ AVERTISSEMENT



Risque de choc électrique

Déconnecter la source de courant électrique avant l'entretien.

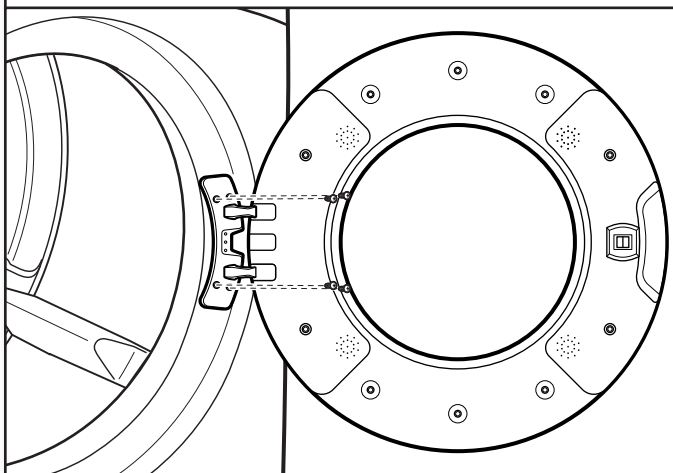
Le non-respect de cette instruction peut causer un décès ou un choc électrique.



À l'aide d'un tournevis cruciforme, retirer la vis centrale de la charnière. Déconnecter le câblage. Passer le câblage dans l'ouverture.

TOUTES LES PORTES :

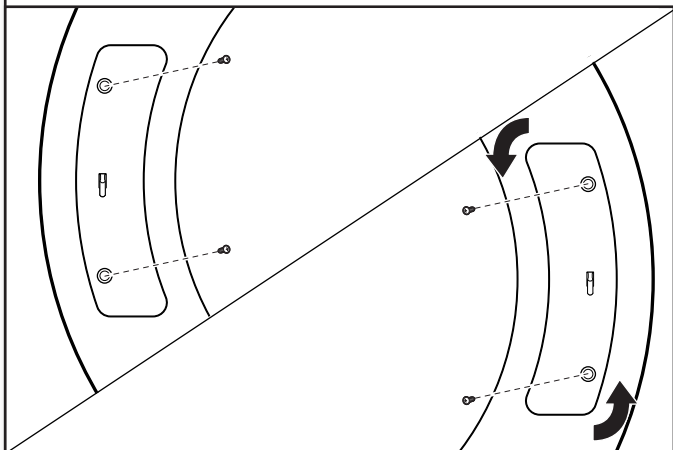
2. Retirer la porte de la sécheuse



IMPORTANT : Si l'on n'a pas encore retiré la pellicule protectrice de la sécheuse, la décoller de la porte de la sécheuse avant de continuer.

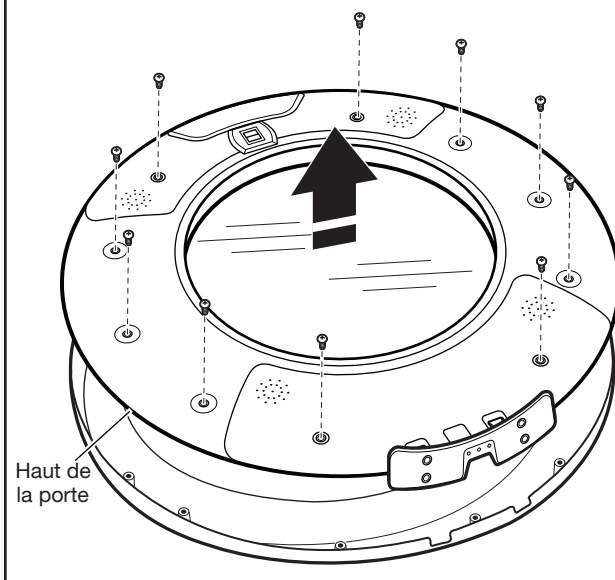
À l'aide d'un tournevis T25®, retirer les quatre vis fixant la charnière de porte à la sécheuse et soulever la porte vers le haut et l'extérieur pour l'enlever. Placer la porte sur une serviette douce ou sur une surface lisse.

3. Déplacer la gâche de la porte



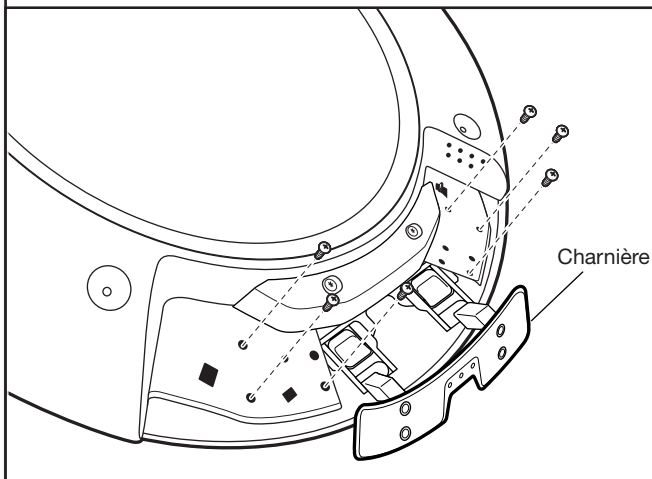
À l'aide d'un tournevis T25®, retirer les deux vis fixant la gâche de la porte au châssis de la porte de la sécheuse. Faire pivoter la gâche de 180° et la fixer au côté opposé du châssis de la porte de la sécheuse à l'aide des deux vis enlevées précédemment, comme indiqué.

4. Dégager la porte interne de la porte externe



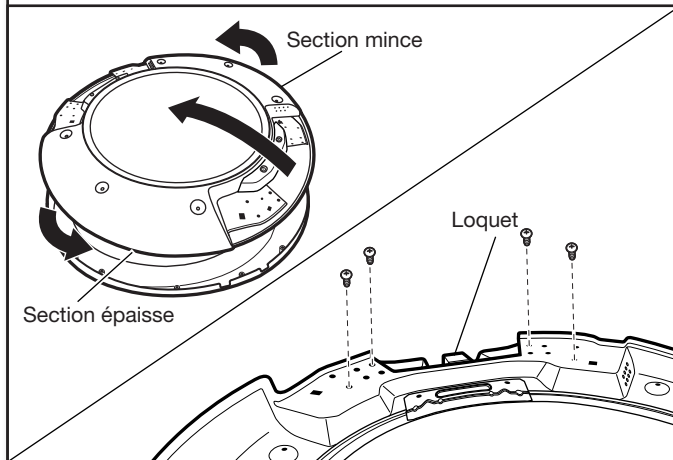
Positionner la porte de façon à ce que l'intérieur de la porte soit orienté vers le haut. À l'aide d'un tournevis cruciforme, retirer les 10 vis fixant l'intérieur de la porte à l'extérieur de la porte.

5. Enlever la charnière



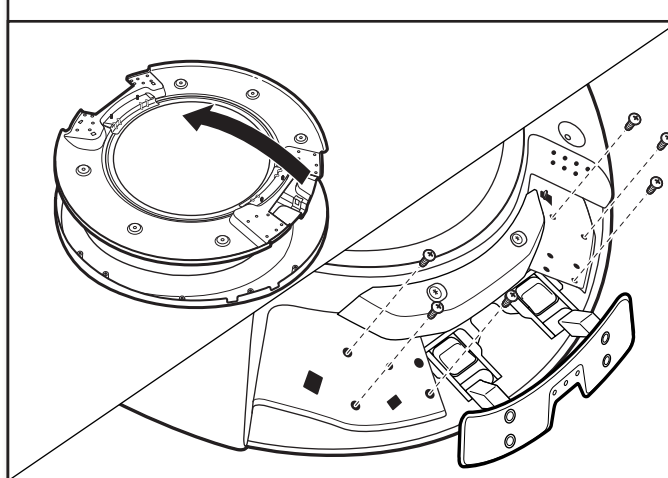
À l'aide d'un tournevis T20®, retirer les six vis maintenant en place la charnière.

6. Enlever le loquet



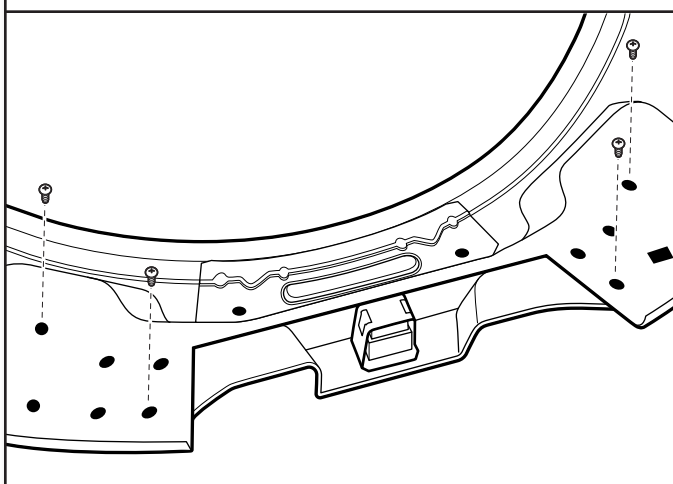
Inverser et faire pivoter l'intérieur de porte de 180° pour que la section mince se situe en haut et la section épaisse en bas. À l'aide d'un tournevis T25®, retirer les quatre vis maintenant en place la plaque du loquet.

8. Réinstaller la charnière sur l'autre côté



Inverser l'intérieur de porte vers la gauche. À l'aide d'un tournevis T20®, réinstaller la charnière sur le côté opposé (par rapport à celui d'où il a été enlevé).

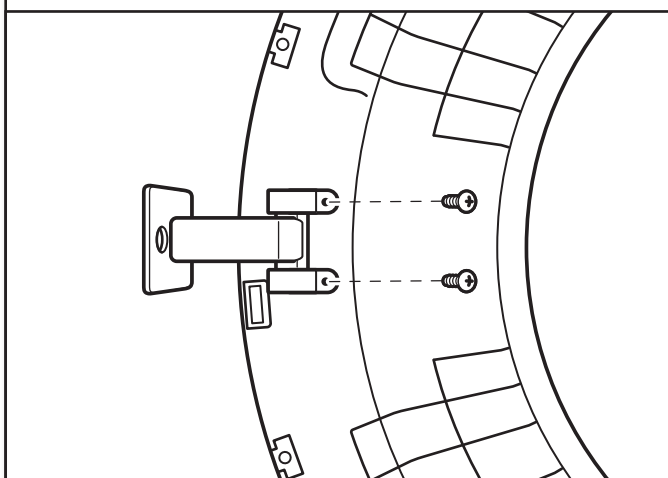
7. Réinstaller le loquet sur l'autre côté



À l'aide d'un tournevis T25®, réinstaller la plaque du loquet sur le côté opposé (par rapport à celui d'où il a été enlevé) en utilisant les quatre vis enlevées précédemment.

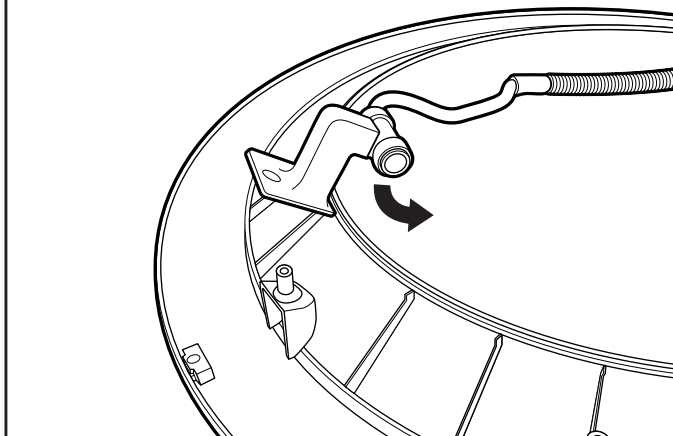
PORTES AVEC ÉCRAN ACL :

9. Enlever l'ensemble de rotation



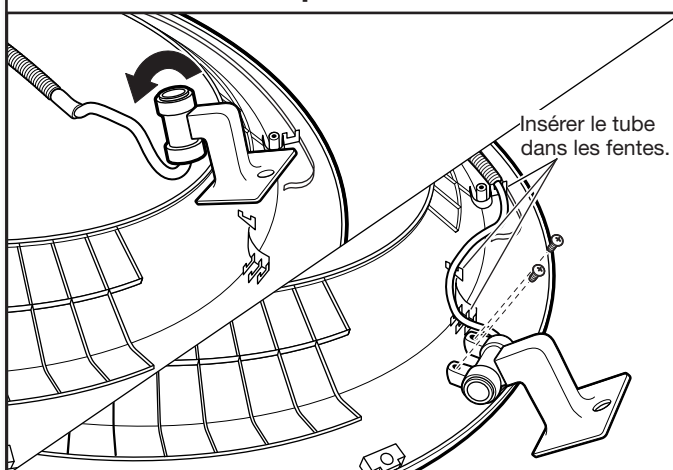
Soulever le panneau interne de porte. À l'aide d'un tournevis cruciforme, retirer les deux vis fixant l'ensemble de rotation à la porte.

10. Replacer l'ensemble de rotation et le tube



Replacer l'ensemble de rotation et le tube de 180°, du côté opposé de la porte.

11. Faire tourner la base de l'ensemble et serrer en place

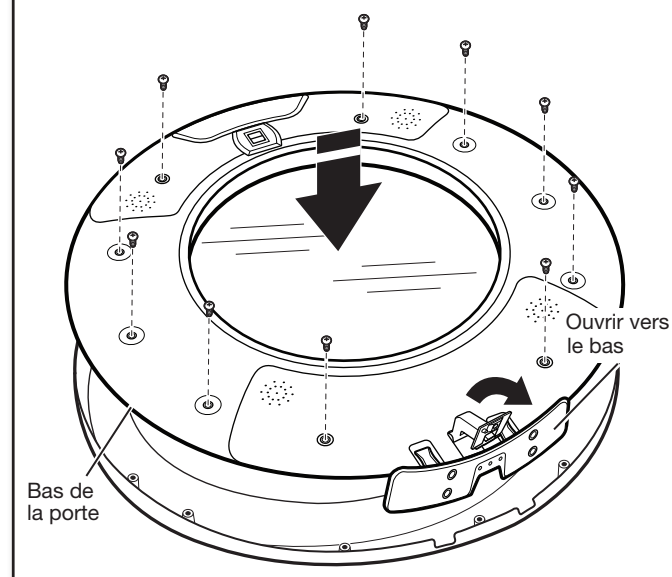


Faire tourner la base de l'ensemble de 180° vers vous et le fixer à l'aide des deux vis enlevées précédemment à l'aide d'un tournevis cruciforme. Insérer le tube dans les fentes.

IMPORTANT : S'assurer d'ouvrir la charnière vers le bas en avant de l'ensemble de rotation (voir l'étape 12).

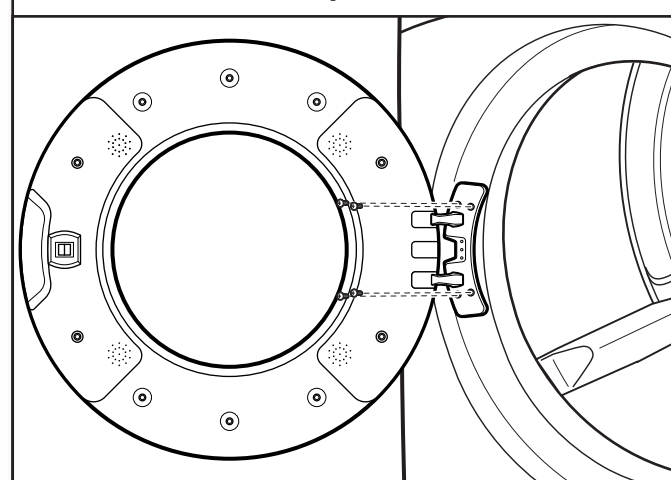
TOUTES LES PORTES :

12. Réinstaller l'intérieur de porte



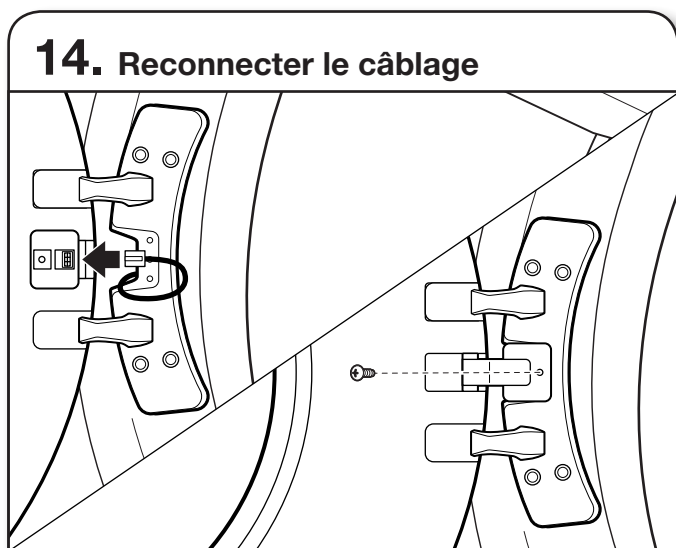
Positionner la porte de façon à ce que l'intérieur de la porte soit orienté vers le haut. À l'aide d'un tournevis cruciforme, réinstaller les 10 vis enlevées précédemment pour fixer l'intérieur de porte à l'extérieur de porte.

13. Réinstaller la porte sur la sécheuse



Portes avec câblage électrique : Passer le câblage par l'ouverture du panneau avant, avant de réinstaller la porte. Insérer les onglets sur la charnière dans l'encoche de montage et les faire glisser vers le bas pour engager l'onglet supérieur. Fixer avec les quatre vis T25® enlevées précédemment.

Voir le Guide d'utilisation et d'entretien ou consulter notre site Web et la "Foire aux questions" pour tenter d'éviter le coût d'une intervention de réparation.



Brancher le câblage. À l'aide d'un tournevis cruciforme, fixer l'ensemble de rotation à la charnière en utilisant la vis enlevée précédemment.

