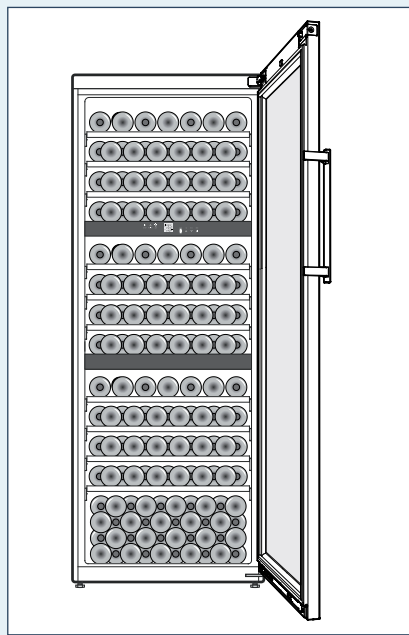


Diagrams

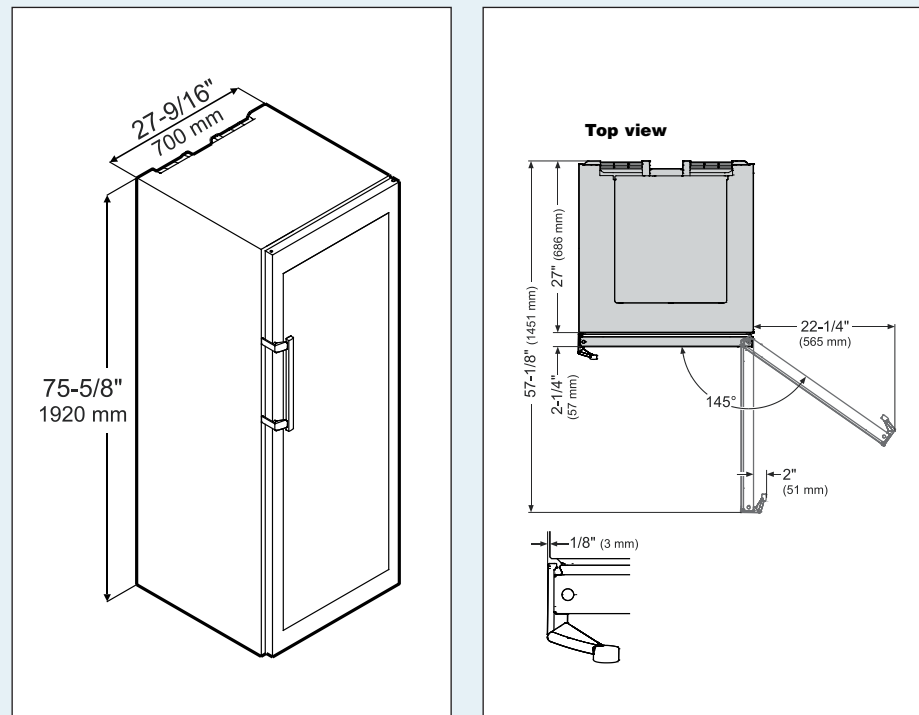
◀28"▶

Freestanding Wine Cabinet



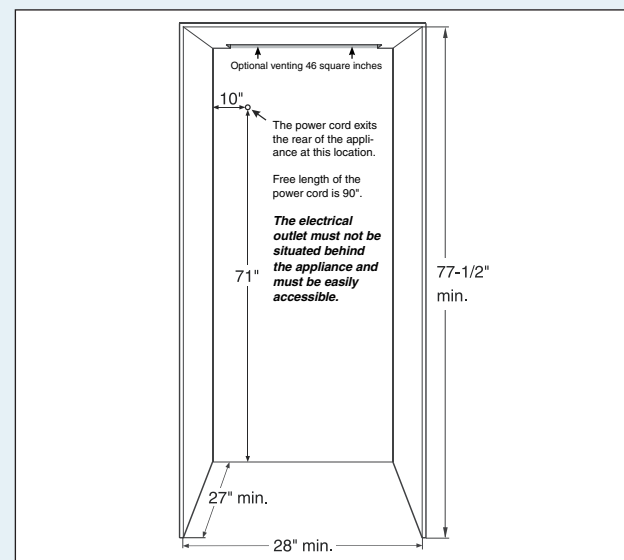
Wine cooler with three temperature zones.
Every temperature zone can be adjusted separately and independent from the other zones.

Appliance Dimensions



The handle protrudes approx. 1/8" to the left side wall of the appliance.

Cabinet Opening Dimensions

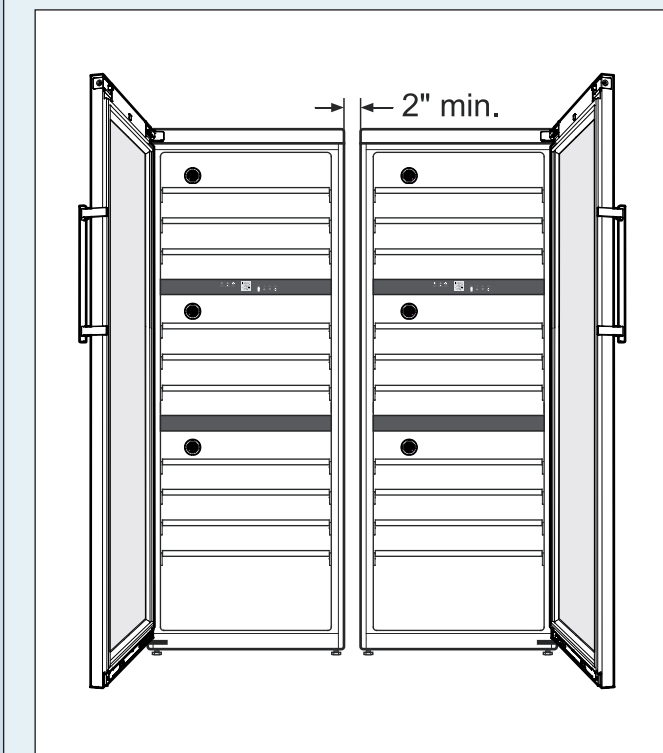


The given cabinet opening height dimension includes 2" for ventilation.
If the appliance will be ventilated above the cabinet or in a soffit, the height dimension can be adjusted accordingly.

IMPORTANT
Minimum ventilation opening is 46 sq in !

With a cabinet depth of 27", the front of the appliance housing is flush with the cabinet frame. (see chapter "Appliance Dimensions Top View")

Side-by-Side



To avoid condensation on the side walls at Side-by-Side applications a minimum distance of 2" between the appliances is required.

Subject to modification. For up-to-date information, visit home.liebherr.com.



WS 17800
Wine Cabinet



LIEBHERR
Quality, Design and Innovation

The **WS 17800** satisfies your need for the smartest, most elegant way to store wine, in addition to adding a sophisticated flair when entertaining your guests. While stylish enough to fit any decor, the WS 17800 also creates the ideal conditions for wines to mature successfully – constant air quality, temperature, and humidity controls, alongside quiet, vibration-free storage. Specially developed, quiet compressors ensure that the cabinet produces the lowest vibration possible, allowing wines to fully mature. The insulated glass door with UV protection, alongside the activated charcoal filter, protect the wines from busy kitchen influences such as light and odor.

The three temperature zones within the **WS 17800** can be set between 41°F to 68°F, making the cabinet suitable for the storage of reds, whites, and champagnes. This model is equipped with an alarm system to alert the user if the door has been left open, or if the selected temperatures have been compromised. The energy efficient LED ceiling light not only emits virtually no heat, but it is dimmable to cast a cool glow across the room.

As a true wine storage unit, the **WS 17800** includes heating capabilities to maintain accurate temperatures when the location of the cabinet is colder than the desired set temperature. Liebherr's design uses recirculated forced air cooling and a permanent fresh air supply via an easily exchangeable activated charcoal filter. Humidity ranges between 50 and 80 percent, permitting wine to breathe as it matures and to keep corks supple. Attractive beech wood shelving with smooth telescopic rails, and a unique drop-down presentation shelf, makes displaying your finest wines elegant and easy.



Wine Cabinet

Energy consumption (kWh/y)	–
Estimated Yearly Energy Cost in US \$*	–
Sound rating dB(A)**	39
Total capacity cu.ft. (l)	17.8 (505)
Max. No. of Bordeaux bottles (0.75 l)	178
Number of shelves	13
Shelves on telescopic rails	10
Shelf material	Beech wood shelves
Presentation shelf	1
Electronic control	LCD temp. display for 3 wine zones, touch electronic
Temperature range °F (°C)	+41°F to +68°F (+5°C to +20°C)
Temperature zones	3
Interior light	LED lighting permanently on, dimmable
Door alarm	acoustic
Safety thermostat	yes
Activated Charcoal filter	yes
Door type	Glass door with stainless steel frame
Integrated lock	yes
SoftSystem	yes
Door hinges	right, reversible
Product dimensions (H/W/D) in. (cm)	75 5/8" / 27 9/16" / 29 1/4" (192/70/74.2)
Cut out dimensions (H/W/D) in. (cm)	77" / 30" / 29" (195.5/76.2/73.6)
Net weight lbs. (kg)	308.6 (140.0)
Voltage V/Hz	127/60

WS 17800 Vinidor

LED Wine Soft System Telescopic Rails



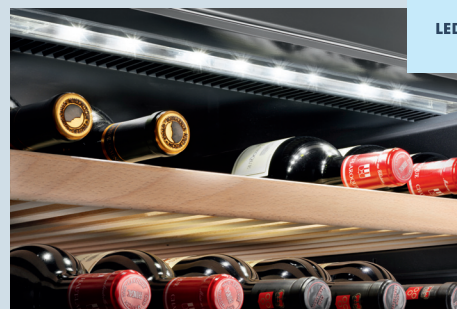
–
–
39
17.8 (505)
178
13
10
Beech wood shelves
1
LCD temp. display for 3 wine zones, touch electronic
+41°F to +68°F (+5°C to +20°C)
3
LED lighting permanently on, dimmable
acoustic
yes
yes
Glass door with stainless steel frame
yes
yes
right, reversible
75 5/8" / 27 9/16" / 29 1/4" (192/70/74.2)
77" / 30" / 29" (195.5/76.2/73.6)
308.6 (140.0)
127/60

* Estimated energy cost will depend on utility rates and use. Estimated energy cost based on a national average electricity cost of 12 cents per kWh.

** Noise output – according to EN 60704-3.



German Engineering: Our superior products offer premium quality, cutting edge design, and innovative features that best fit your lifestyle. The use of high quality materials, perfectly detailed finishes, and elite cooling components are combined with the latest production processes, resulting in an outstanding cooling product.



LED Ceiling Light: The energy efficient LED ceiling light not only emits virtually no heat for the optimal storage of wines, but is dimmable for a pleasant ambient light within the cabinet, as well as a cool glow for the room.



Activated Charcoal Filter: Optimum air quality is guaranteed in Liebherr wine cabinets thanks to the easy-to-replace FreshAir activated charcoal filter, which purifies incoming air, while filtering out damaging odors.



SoftSystem: Doors close automatically and gently from a minimum opening angle of approx. 30° thanks to our SoftSystem technology, which eliminates slamming even when shelves are fully loaded.



Beech Wood Shelving: Liebherr wine cabinets are fitted with beech wood shelving, mounted on telescopic rails for easy and gentle access to wines. The handmade, untreated wood pullout shelves can hold a variety of bottle types.



UV Protection: In order to minimize the exposure of light which can damage the maturity of a wine, Liebherr wine cabinets are fitted with special UV-resistant insulated glass, simultaneously protecting and presenting your finest wines.



Touch Control: The electronic touch system allows temperatures to be set to the exact desired degree, from 41°F to 68°F. Temperatures are clearly displayed on the LCD display for accurate readings of your desired settings.



Presentation Shelf: Show off your finest wines with Liebherr's presentation shelf, displaying your wines at a 45°, visible through the appliance door.



Integrated Lock: A sturdy lock protects your fine wine collection.