



MICROWAVE OVEN

Use & Care Guide

For questions about features, operations/performance, parts, accessories, or service, call: **1-800-253-1301** or visit our website at **www.whirlpool.com**.

In Canada, call: **1-800-807-6777** or visit our website at **www.whirlpool.ca**.

HORNO DE MICROONDAS

Manual de uso y cuidado

Si tiene preguntas sobre características, funcionamiento, rendimiento, piezas, accesorios o servicio técnico, llame al: **1-800-253-1301** o visite nuestro sitio web en **www.whirlpool.com**.

En Canadá, llame al: **1-800-807-6777** o visite nuestro sitio web en **www.whirlpool.ca**.

TABLE OF CONTENTS

MICROWAVE OVEN SAFETY	3
INSTALLATION INSTRUCTIONS	5
Unpacking	5
Location Requirements	5
Electrical Requirements	5
PARTS AND FEATURES	6
Turntable.....	6
MICROWAVE OVEN CONTROL	6
Display	6
Start.....	7
Add 30 Seconds.....	7
Cancel	7
Clock	7
Timer.....	7
Tones	7
Control Lock.....	7
MICROWAVE OVEN USE	8
Food Characteristics	8
Cooking Guidelines	8
Cookware and Dinnerware.....	9
Aluminum Foil and Metal	9
Microwave Cooking Power.....	9
Manual Cooking	10
Cook Menu.....	10
Popcorn.....	10
Soften/Melt.....	10
Defrost	11
Steam Clean.....	11
Keep Warm.....	11
MICROWAVE OVEN CARE	12
General Cleaning.....	12
TROUBLESHOOTING	13
ASSISTANCE OR SERVICE	14
In the U.S.A.	14
In Canada	14
Replacement Parts.....	14
WARRANTY	15

TABLA DE CONTENIDOS

SEGURIDAD DEL HORNO DE MICROONDAS	16
INSTRUCCIONES DE INSTALACIÓN	18
Desempaque	18
Requisitos de ubicación.....	18
Requisitos eléctricos.....	18
PIEZAS Y CARACTERÍSTICAS	19
Bandeja giratoria	19
CONTROL DEL HORNO DE MICROONDAS	19
Pantalla.....	19
Start (Inicio).....	20
Add 30 Seconds (Agregar 30 segundos).....	20
Cancel (Cancelar)	20
Clock (Reloj)	20
Timer (Temporizador)	20
Tones (Tonos).....	20
Control Lock (Bloqueo de controles).....	20
USO DEL HORNO MICROONDAS	21
Características de los alimentos.....	21
Pautas para cocinar	21
Utensilios de cocina y vajilla	22
Papel de aluminio y metal	22
Potencia de cocción del microondas	22
Cocción manual	23
Cook Menu (Menú de cocción).....	23
Popcorn (Palomitas de maíz).....	23
Soften/Melt (Ablandar/derretir)	23
Defrost (Descongelar).....	24
Steam Clean (Limpieza con vapor).....	24
Keep Warm (Mantener caliente).....	24
CUIDADO DEL HORNO MICROONDAS	25
Limpieza general	25
SOLUCIÓN DE PROBLEMAS	26
AYUDA O SERVICIO TÉCNICO	27
En Estados Unidos.....	27
En Canadá.....	27
Piezas de repuesto.....	27
GARANTÍA	28

MICROWAVE OVEN SAFETY

Your safety and the safety of others are very important.

We have provided many important safety messages in this manual and on your appliance. Always read and obey all safety messages.



This is the safety alert symbol.

This symbol alerts you to potential hazards that can kill or hurt you and others.

All safety messages will follow the safety alert symbol and either the word “DANGER” or “WARNING.”

These words mean:

⚠ DANGER

You can be killed or seriously injured if you don't immediately follow instructions.

⚠ WARNING

You can be killed or seriously injured if you don't follow instructions.

All safety messages will tell you what the potential hazard is, tell you how to reduce the chance of injury, and tell you what can happen if the instructions are not followed.

IMPORTANT SAFETY INSTRUCTIONS

When using electrical appliances basic safety precautions should be followed, including the following:

WARNING: To reduce the risk of burns, electric shock, fire, injury to persons, or exposure to excessive microwave energy:

- Read all instructions before using the microwave oven.
- Read and follow the specific “PRECAUTIONS TO AVOID POSSIBLE EXPOSURE TO EXCESSIVE MICROWAVE ENERGY” found in this section.
- The microwave oven must be grounded. Connect only to properly grounded outlet. See “GROUNDING INSTRUCTIONS” found in the “INSTALLATION INSTRUCTIONS” section.
- Install or locate the microwave oven only in accordance with the provided Installation Instructions.
- Some products such as whole eggs in the shell and sealed containers - for example, closed glass jars - are able to explode and should not be heated in the microwave oven.
- Use the microwave oven only for its intended use as described in the manual. Do not use corrosive chemicals or vapors in the microwave oven. This type of oven is specifically designed to heat, cook, or dry food. It is not designed for industrial or laboratory use.
- As with any appliance, close supervision is necessary when used by children.
- Do not operate the microwave oven if it has a damaged cord or plug, if it is not working properly, or if it has been damaged or dropped.
- The microwave oven should be serviced only by qualified service personnel. Call an authorized service company for examination, repair, or adjustment.
- Do not cover or block any openings on the microwave oven.
- Do not store this microwave oven outdoors. Do not use the microwave oven near water - for example, near a kitchen sink, in a wet basement, near a swimming pool, or similar locations.
- Do not immerse cord or plug in water.
- Keep cord away from heated surfaces.
- Do not let cord hang over edge of table or counter.
- See door surface cleaning instructions in the “Microwave Oven Care” section.
- To reduce the risk of fire in the oven cavity:
 - Do not overcook food. Carefully attend the microwave oven when paper, plastic, or other combustible materials are placed inside the oven to facilitate cooking.
 - Remove wire twist-ties from paper or plastic bags before placing bags in oven.
 - If materials inside the oven ignite, keep oven door closed, turn oven off, and disconnect the power cord, or shut off power at the fuse or circuit breaker panel.
 - Do not use the cavity for storage purposes. Do not leave paper products, cooking utensils, or food in the cavity when not in use.

SAVE THESE INSTRUCTIONS

IMPORTANT SAFETY INSTRUCTIONS

- Liquids, such as water, coffee, or tea are able to be overheated beyond the boiling point without appearing to be boiling. Visible bubbling or boiling when the container is removed from the microwave oven is not always present. THIS COULD RESULT IN VERY HOT LIQUIDS SUDDENLY BOILING OVER WHEN THE CONTAINER IS DISTURBED OR A SPOON OR OTHER UTENSIL IS INSERTED INTO THE LIQUID.

To reduce the risk of injury to persons:

- Do not overheat the liquid.
- Stir the liquid both before and halfway through heating it.
- Do not use straight-sided containers with narrow necks.
- After heating, allow the container to stand in the microwave oven for a short time before removing the container.
- Use extreme care when inserting a spoon or other utensil into the container.

SAVE THESE INSTRUCTIONS

PRECAUTIONS TO AVOID POSSIBLE EXPOSURE TO EXCESSIVE MICROWAVE ENERGY

- (a) Do not attempt to operate this oven with the door open since open-door operation can result in harmful exposure to microwave energy. It is important not to defeat or tamper with the safety interlocks.
- (b) Do not place any object between the oven front face and the door or allow soil or cleaner residue to accumulate on sealing surfaces.
- (c) Do not operate the oven if it is damaged. It is particularly important that the oven door close properly and that there is no damage to the:
 - (1) Door (bent),
 - (2) Hinges and latches (broken or loosened),
 - (3) Door seals and sealing surfaces.
- (d) The oven should not be adjusted or repaired by anyone except properly qualified service personnel.

This device complies with Part 18 of the FCC Rules.

INSTALLATION INSTRUCTIONS

Unpacking

1. Empty the microwave oven of any packing materials.
2. Clean the inside with a soft, damp cloth.
3. Check for damage, such as:
 - A door that is not lined up correctly,
 - Damage around the door, or
 - Dents on the interior or exterior of the microwave oven.If there is any damage, do not operate the microwave oven until a designated service technician has checked it and made any needed repairs.

NOTE: To avoid damage to the microwave oven, do not remove microwave inlet cover. See the "Parts and Features" section.

Location Requirements

- Place the microwave oven on a cart, counter, table, or shelf that is strong enough to hold the microwave oven and the food and utensils you place inside it.
- The microwave oven should be at a temperature above 50°F (10°C) for proper operation.
- Do not block the exhaust vents or air intake openings. Allow a few inches of space at the back and side of the microwave oven where the exhaust vents are located. Blocking the exhaust vents could cause damage to the microwave oven as well as poor cooking results.
- Make sure the microwave oven legs are in place to ensure proper airflow. If vents are blocked, a sensitive thermal device may automatically turn the microwave oven off. The microwave oven should work properly once it has cooled.

Electrical Requirements

⚠ WARNING



Electrical Shock Hazard

Plug into a grounded 3 prong outlet.

Do not remove ground prong.

Do not use an adapter.

Do not use an extension cord.

Failure to follow these instructions can result in death, fire, or electrical shock.

Observe all governing codes and ordinances.

Required:

- A 120 V, 60 Hz, AC only, 15 or 20 A electrical supply with a fuse or circuit breaker.

Recommended:

- A time-delay fuse or time-delay circuit breaker
- A separate circuit serving only this microwave oven

GROUNDING INSTRUCTIONS

■ For all cord connected appliances:

The microwave oven must be grounded. In the event of an electrical short circuit, grounding reduces the risk of electric shock by providing an escape wire for the electric current. The microwave oven is equipped with a cord having a grounding wire with a grounding plug. The plug must be plugged into an outlet that is properly installed and grounded.

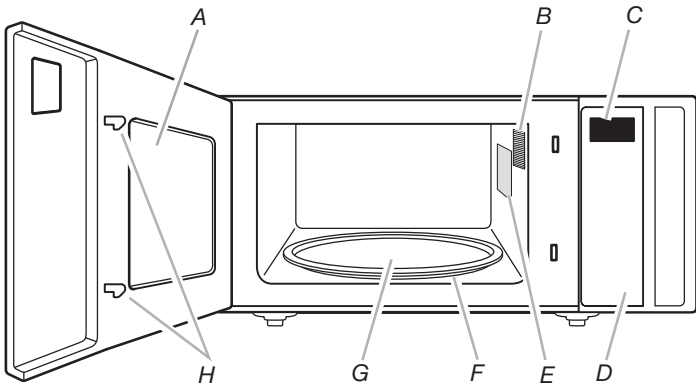
WARNING: Improper use of the grounding plug can result in a risk of electric shock. Consult a qualified electrician or serviceman if the grounding instructions are not completely understood, or if doubt exists as to whether the microwave oven is properly grounded.

Do not use an extension cord. If the power supply cord is too short, have a qualified electrician or serviceman install an outlet near the microwave oven. A short power supply cord is provided to reduce the risks resulting from becoming entangled in or tripping over a longer cord.

SAVE THESE INSTRUCTIONS

PARTS AND FEATURES

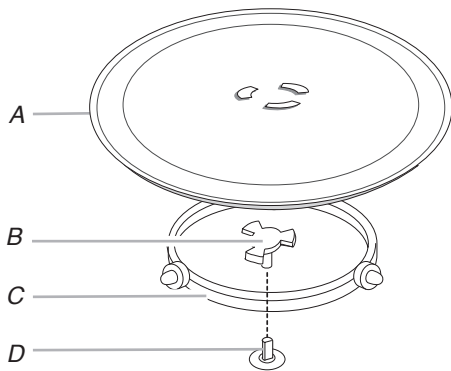
This manual may cover several different models. The model you have purchased may have some or all of the features shown here. The appearance of your particular model may differ slightly from the illustrations in this manual.



- A. Window
- B. Microwave oven light
- C. Display
- D. Control panel
- E. Microwave inlet cover

- F. Removable turntable support
- G. Glass turntable
- H. Door lock system

Turntable




- A. Turntable
- B. Hub
- C. Support
- D. Shaft

The turntable can rotate in either direction to help cook food more evenly. For best cooking results, do not operate the microwave oven without having the turntable in place. See the "Assistance or Service" section to reorder any of the parts.

To Install:

1. Place the support on the microwave oven cavity bottom.
2. Place the turntable on the support.
Fit the raised, curved wedges in the center of the turntable bottom between the 3 spokes of the hub. The rollers on the support should fit inside the turntable bottom ridge.

MICROWAVE OVEN CONTROL



COOKING GUIDE

KEEP WARM _____
15min to 60min

SOFTEN / MELT _____

Soften
1 Butter: 0.5, 1.0, 1.5, 2.0 (sticks)

Melt
2 Butter: 0.5, 1.0, 1.5, 2.0 (sticks)
3 Chocolate: 4, 6, 8, 12 (oz)
4 Cheese: 8, 16 (oz)

POPCORN _____
3.5(oz)

COOK MENU _____

1 Vegetables: 1, 2, 3, 4 (cups)
2 Soup: 1, 2, 3, 4 (cups)
3 Green Bean: 1, 2, 3, 4 (cups)
4 Scrambled Eggs: 1, 2, 3, 4 (eggs)


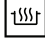

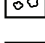
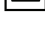
DEFROST POULTRY _____
0.2 to 6.6 (lbs) / 0.1 (lb)

DEFROST MEAT _____
0.2 to 6.6 (lbs) / 0.1 (lb)




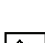
DEFROST FISH _____
0.2 to 4.4 (lbs) / 0.1 (lb)


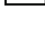
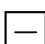
STEAM CLEAN _____
1 cup water (250ml)

— FUNCTIONS —

-  Power/Time
-  Keep Warm
-  Soften/Melt
-  Popcorn
-  Cook Menu

— DEFROST —

-  Poultry
-  Meat
-  Fish
-  Manual Defrost

-  Steam Clean
-  Timer Hold to Set Clock
-  Mute/Unmute

- +

CANCEL

Hold to Lock

START

+30 sec

Display

When power is first supplied to the microwave oven, "12:00" will appear in the display. If the "12:00" appears in the display at any other time, a power failure has occurred. Reset the clock if needed. See the "Clock" section.

Start

The Start keypad begins any function. If non-sensor cooking is interrupted by opening the door, touching START will resume the cycle.

NOTE: To avoid unintentional operation of the microwave oven, a cooking function cannot be started if the microwave oven door has been closed for about 1 minute. The word “door” will appear in the display until the door is opened and closed.

Add 30 Seconds

The Start Add 30 Sec keypad automatically starts the microwave oven at 100% power for 30 seconds and adds 30 seconds of cook time, with each additional touch of the control.

Time may be added to any manual cooking cycle in 30 second increments, at the current power level, by touching ADD 30 SEC during cooking.

NOTE: To avoid unintentional operation of the microwave oven, a cooking function cannot be started if the microwave oven door has been closed for about 1 minute. The word “door” will appear in the display until the door is opened and closed.

Cancel

The Cancel keypad clears any incorrect command and cancels any program during cooking. Touch the Cancel keypad to cancel the cycle. It will not erase the time of day.

The microwave oven will also turn off when the door is opened. Close the door and touch START to resume the cycle.

The Cancel keypad is also used to lock and unlock the control panel. See the “Control Lock” section.

Clock

This is a 12 hour clock.

To Set:

The microwave oven must be in standby.

1. Touch TIMER for 3 seconds to enter clock setting. It will also appear every time the product is plugged into the power source, or power is back after a power fail.
 2. Touch the +/- button to set the hour.
 3. Touch START/+30 sec button to confirm.
 4. Touch the +/- button to set the minute.
 5. Touch START/+30 sec button to confirm the setting.
-

Timer

NOTE: The Timer does not start or stop the microwave oven. The function can be set only in Standby mode.

To Set:

1. Touch TIMER.
2. Touch +/- keypads to enter desired time.
3. Touch START.
When the set time ends, the end-of-timer tone will sound.
4. While the Timer countdown is active in the display, touch CANCEL to cancel the Timer.

Tones

This function allows the user to activate/deactivate all the sounds played by the appliances, includes button press, warnings, alarm, even end audio feedback.

Press Mute/Unmute button to put into mute, press the button again to turn on the sound.

This function can operate at any time.

Control Lock

The Control Lock disables the control panel keypads to avoid unintended use of the microwave oven.

To Lock/Unlock Control: The microwave oven must be OFF. Touch and hold CANCEL for about 3 seconds, until the tone sounds and the LOCK icon appears in the display. Repeat to unlock and clear the display.

If any cook function control is touched while the Control Lock is active, a tone will sound.

MICROWAVE OVEN USE

A magnetron in the microwave oven produces microwaves which reflect off the metal floor, walls, and ceiling and pass through the turntable and appropriate cookware to the food. Microwaves are attracted to and absorbed by fat, sugar, and water molecules in the food, causing them to move, producing friction and heat which cooks the food.

- To avoid damage to the microwave oven, do not lean on or allow children to swing on the microwave oven door.
- To avoid damage to the microwave oven, do not operate microwave oven when it is empty.
- Baby bottles and baby food jars should not be heated in microwave oven.
- Clothes, flowers, fruit, herbs, wood, gourds, and paper, including brown paper bags and newspaper, should not be dried in the microwave oven.
- Paraffin wax will not melt in the microwave oven because it does not absorb microwaves.
- Use oven mitts or pot holders when removing containers from microwave oven.
- Do not overcook potatoes. At the end of the recommended cook time, potatoes should be slightly firm. Let potatoes stand for 5 minutes. They will finish cooking while standing.
- Do not cook or reheat whole eggs inside the shell. Steam buildup in whole eggs may cause them to burst, requiring significant cleanup of microwave oven cavity. Cover poached eggs and allow a standing time.

Food Characteristics

When microwave cooking, the amount, size and shape, starting temperature, composition, and density of the food affect cooking results.

Amount of Food

The more food heated at once, the longer the cook time needed. Check for doneness and add small increments of time if necessary.

Size and Shape

Smaller pieces of food will cook more quickly than larger pieces, and uniformly shaped foods cook more evenly than irregularly shaped food.

Starting Temperature

Room temperature foods will heat faster than refrigerated foods, and refrigerated foods will heat faster than frozen foods.

Composition and Density

Foods high in fat and sugar will reach a higher temperature and will heat faster than other foods. Heavy, dense foods, such as meat and potatoes, require a longer cook time than the same size of a light, porous food, such as cake.

Cooking Guidelines

Covering

Covering food helps retain moisture, shorten cook time, and reduce spattering. Use the lid supplied with cookware. If a lid is not available, wax paper, paper towels, or plastic wrap approved for microwave ovens may be used. Plastic wrap should be turned back at one corner to provide an opening to vent steam. Condensation on the door and cavity surfaces is normal during heavy cooking.

Stirring and Turning

Stirring and turning redistribute heat evenly to avoid overcooking the outer edges of food. Stir from outside to center. If possible, turn food over from bottom to top.

Arranging

If heating irregularly shaped or different-sized foods, arrange the thinner parts and smaller-sized items toward the center. If cooking several items of the same size and shape, place them in a ring pattern, leaving the center of the ring empty.

Piercing

Before heating, use a fork or small knife to pierce or prick foods that have a skin or membrane, such as potatoes, egg yolks, chicken livers, hot dogs, and sausage. Prick in several places to allow steam to vent.

Shielding

Use small, flat pieces of aluminum foil to shield the thin pieces of irregularly shaped foods, bones and foods such as chicken wings, leg tips, and fish tails. See the "Aluminum Foil and Metal" section first.

Standing Time

Food will continue to cook by the natural conduction of heat even after the microwave cooking cycle ends. The length of standing time depends on the volume and density of the food.

Cookware and Dinnerware

Cookware and dinnerware must fit on the turntable. Always use oven mitts or pot holders when handling because any dish may become hot from heat transferred from the food. Do not use cookware and dinnerware with gold or silver trim. Use the following chart as a guide, then test before using.

Material	Recommendations
Aluminum Foil, Metal	See the "Aluminum Foil and Metal" section.
Browning Dish	Bottom must be at least 3/16" (5 mm) above the turntable. Follow manufacturer's recommendations.
Ceramic Glass, Glass	Acceptable for use
China, Earthenware	Follow manufacturer's recommendations.
Melamine	Follow manufacturer's recommendations.
Paper: Towels, Dinnerware, Napkins	Use non-recycled and those approved by the manufacturer for microwave oven use.
Plastic: Wraps, Bags, Covers, Dinnerware, Containers	Use those approved by the manufacturer for microwave oven use.
Pottery and Clay	Follow manufacturer's recommendations.
Silicone Bakeware	Follow manufacturer's recommendations.
Straw, Wicker, Wooden Containers	Do not use in microwave oven.
Wax Paper	Acceptable for use

To Test Cookware or Dinnerware for Microwave Use:

- Place cookware or dinnerware in microwave oven with 1 cup (250 mL) of water beside it.
- Cook at 100% cooking power for 1 minute.

Do not use cookware or dinnerware if it becomes hot and the water stays cool.

Aluminum Foil and Metal

Always use oven mitts or pot holders when removing dishes from the microwave oven.

Aluminum foil and some metal can be used in the microwave oven. If not used properly, arcing (a blue flash of light) can occur and cause damage to the microwave oven.

OK for Use

Racks and bakeware supplied with the microwave oven (on some models), aluminum foil for shielding, and approved meat thermometers may be used with the following guidelines:

- To avoid damage to the microwave oven, do not allow aluminum foil or metal to touch the inside cavity walls, ceiling, or floor.
- Always use the turntable.
- To avoid damage to the microwave oven, do not allow contact with another metal object during microwave cooking.

Do Not Use

Metal cookware and bakeware, gold, silver, pewter, non-approved meat thermometers, skewers, twist ties, foil liners such as sandwich wrappers, staples, and objects with gold or silver trim or a metallic glaze should not be used in the microwave oven.

Microwave Cooking Power

Many recipes for microwave cooking specify which cooking power to use by power level. For example, P70 = Medium-High. Use the following chart as a general guide for the suggested cooking power of specific foods.

Percent/Name	Display	Use
100%, High (default setting)	P100	Quick heating convenience foods and foods with high water content, such as soups, beverages and most vegetables
90%	P-90	Cooking small, tender pieces of meat, ground meat, poultry pieces, and fish fillets Heating cream soups
80%	P-80	Heating rice, pasta, or stirrable casseroles Cooking and heating foods that need a cook power lower than high. For example, whole fish and meat loaf
70%, Medium-High	P-70	Reheating a single serving of food
60%	P-60	Cooking sensitive foods such as cheese and egg dishes, pudding, and custards Cooking non-stirrable casseroles, such as lasagna
50%, Medium	P-50	Cooking ham, whole poultry, and pot roasts Simmering stews
40%	P-40	Melting chocolate Heating bread, rolls, and pastries
30%, Medium-Low, Defrost	P-30	Defrosting bread, fish, meats, poultry, and precooked foods
20%	P-20	Softening butter, cheese, and ice cream
10%, Low	P-10	Taking chill out of fruit

Manual Cooking

To Use:

1. Touch POWER/TIME to enter power level, default is P100.
 2. Touch +/- button to choose power level.
 3. Touch POWER/TIME again to adjust the cooking time, default is 15 seconds.
 4. Touch +/- button to set the cooking time, then touch START/+30 sec to start cooking.
-

Cook Menu

The microwave oven has been programmed with common microwavable foods, their quantities, cook powers, and cook times.

Use the following chart as a guide for preset cooking.

Food	Serving Size	Instructions
P1 Fresh Vegetables	1-4 cups/1 cup	From room temperature. Put food into microwave safe dish, Add 2 tablespoons water to 1-2 cups, add 4 tablespoons water to 3-4 cups. Cover the dish, leaving an air ventilation. Stir and let stand 2-3 minutes after cooking.
P2 Soup	1-4 cups/1 cup	From room temperature. Cover the dish, leaving an air ventilation. Stir and let stand 2-3 minutes after cooking.
P3 Green bean	1-4 cups/1 cup	From room temperature. Put food into microwave safe dish, Add 2 tablespoons water to 1-2 cups, add 4 tablespoons water to 3-4 cups. Cover the dish, leaving an air ventilation. Stir and let stand 2-3 minutes after cooking.
P4 Scrambled eggs	1-4 eggs/1 egg	From room temperature. Put food into microwave safe dish, Add 1 tablespoons water for one egg, and mix well. Cover the dish. Stir and let stand 2-3 minutes after cooking.

To Use Cook Menu:

1. Place food on the turntable and close the door.
2. Touch the Cook Menu keypad repeatedly to choose menu.
3. Touch +/- button to change quantity.
4. Touch START/+30 sec.
The display will count down the cook time. When the cycle ends, "End" will appear in the display and the end-of-cycle tones will sound.

Popcorn

This function allows to cook Popcorn microwaveable bags. Use for 3.5 oz bags only.

To Use:

1. Touch the Popcorn button.
 2. Touch START/+30 sec button to start the function.
-

Soften/Melt

A selection of automatic recipes with preset values to offer optimal cooking results.

To Use:

1. Touch Soften/Melt button repeatedly to select the desired recipe(see the table below).
2. Touch +/- button to select the weight or quantity.
3. Touch the START/+30 sec button. The function will start.

Food	Serving Size	Instructions
P1 Soften Butter	0.5, 1.0, 1.5, 2.0 sticks	From refrigerator state, unwrap and place in microwave safe dish.
P2 Melt Butter	0.5, 1.0, 1.5, 2.0 sticks	From refrigerator state, unwrap and place in microwave safe dish.
P3 Melt Chocolate	4, 6, 8, 12 oz	From room temperature, place in microwave safe dish.
P4 Melt Cheese	8, 16 oz	From refrigerator state, place in microwave safe dish.

Defrost

- Unwrap foods and remove lids (for example, from fruit juice containers) before defrosting.
- Shallow packages will defrost more quickly than deep blocks.
- Separate food pieces as soon as possible during or at the end of the cycle for more even defrosting.
- Use small pieces of aluminum foil to shield parts of food such as chicken wings, leg tips and fish tails. See the "Aluminum Foil and Metal" section first.

Auto Defrost

The product provides an automatic defrost for 3 kinds of food.

To Use Auto Defrost:

1. Touch the Defrost menus (see following chart).
2. Touch the +/- button to set the weight and touch START/+30 sec button to start.

Food	Serving Size	Instructions
Poultry	0.2-6.6 lb / 0.1 lb	Chicken whole, pieces or fillets. After cooking, wait at least 5 minutes for better results.
Meat	0.2-6.6 lb / 0.1 lb	Minced meat, cutlets, steaks or roasts. After cooking, wait at least 5 minutes for better results.
Fish	0.2-4.4 lb / 0.1 lb	Fish whole, pieces or fillets. After cooking, wait at least 5 minutes for better results.

Manual Defrost

To Use Manual Defrost:

1. Touch Manual Defrost button.
2. Touch +/- button to increase or decrease the time values.
3. Touch START/+30 sec to start.

Steam Clean

This automatic cleaning cycle will help you to clean the microwave oven cavity and to remove unpleasant odors.

Before starting the cycle:

1. Put 250 mL water into a container (see our recommendations in the below section "Tips and suggestions").
2. Place the container directly on the middle of the cavity.

To Start The Cycle:

1. Press the Steam Clean button, the cleaning cycle duration will be visible on the display.
2. Press the Start button to start the function.

When The Cycle Is Finished:

1. Press the Cancel button.
2. Remove the container.
3. Use a soft cloth or a paper towel with mild detergent to clean the interior surfaces.

Tips and suggestions:

For a better cleaning result, it is recommended to use a container with a diameter of 17-20 cm, and a height that is lower than 6.5 cm.

It is recommended to use a container of light plastic material that is suitable for the microwave.

As the container will be hot after the cleaning cycle is completed, it is recommended to use a heat resistant glove when removing the container from the microwave.

For a better cleaning effect and removal of unpleasant odors, add some lemon juice or vinegar to the water.

Keep Warm

This function allows you to keep your dishes warm automatically.

1. Touch the Keep Warm button.
2. Touch +/- button to select suitable time, then touch START/+30 sec button to start. Default time is 30 minutes.

Food	Weight Container	Temperature	Time (the maximum time is 60 minutes)	Container
Tuna noodle casserole	4 cups (880 g)	165°F (73.8°C)	Time can be adjusted	Microwave safe dish

MICROWAVE OVEN CARE

General Cleaning

IMPORTANT: Before cleaning, make sure all controls are off and the microwave oven is cool. Always follow label instructions on cleaning products.

Soap, water, and a soft cloth or sponge are suggested unless otherwise noted.

MICROWAVE OVEN CAVITY

To avoid damage to the microwave oven cavity, do not use soap-filled scouring pads, abrasive cleaners, steel-wool pads, gritty washcloths, or some recycled paper towels.

To avoid damage to stainless steel models, rub in direction of grain.

The area where the microwave oven door and frame touch when closed should be kept clean.

Average soil

- Mild, nonabrasive soaps and detergents:
Rinse with clean water and dry with soft, lint-free cloth.

Heavy soil

- Mild, nonabrasive soaps and detergents:
Heat 1 cup (250 mL) of water for 2 to 5 minutes in microwave oven. Steam will soften soil. Rinse with clean water and dry with soft, lint-free cloth.

Odors

- Lemon juice or vinegar:
Heat 1 cup (250 mL) of water with 1 tbs (15 mL) of either lemon juice or vinegar for 2 to 5 minutes in microwave oven.

Microwave Inlet Cover

To avoid arcing and microwave oven damage, the microwave inlet cover (see the “Parts and Features” section) should be kept clean.

- Wipe with wet cloth.

MICROWAVE OVEN DOOR AND EXTERIOR

The area where the microwave oven door and frame touch when closed should be kept clean.

- Mild, nonabrasive soaps and detergents:
Rinse with clean water and dry with soft, lint-free cloth.
- Glass cleaner and paper towels or nonabrasive plastic scrubbing pad:
Apply glass cleaner to towel, not directly to surface.

Stainless Steel (on some models)

To avoid damage to microwave oven door and exterior, do not use soap-filled scouring pads, abrasive cleaners, steel-wool pads, gritty washcloths, or some paper towels. Rub in direction of grain.

- Stainless steel cleaner (not included):
See “Assistance or Service” section to order.
- All-purpose cleaner:
Rinse with clean water and dry with soft, lint-free cloth.
- Vinegar for hard water spots

CONTROL PANEL

- Sponge or soft cloth and water:
Dampen sponge with water and wipe panel. Dry with soft cloth.
- To avoid damage to the control panel, do not use chemical or abrasive cleansers.

TURNTABLE

Replace turntable immediately after cleaning. Do not operate the microwave oven without the turntable in place.

- Mild cleanser and scouring pad
- Dishwasher

TROUBLESHOOTING

First try the solutions suggested here. If you need further assistance or more recommendations that may help you avoid a service call, refer to the warranty or visit http://www.whirlpool.com/product_help. In Canada, visit <http://www.whirlpool.ca>. Contact us by mail with any questions or concerns at the address below:

In the U.S.A.:

Whirlpool Brand Home Appliances
Customer eXperience Center
553 Benson Road
Benton Harbor, MI 49022-2692

In Canada:

Whirlpool Brand Home Appliances
Customer eXperience Centre
200 – 6750 Century Ave.
Mississauga, Ontario L5N 0B7

Please include a daytime phone number in your correspondence.

If you experience	Recommended Solutions
Nothing will operate	<p>Check the following:</p> <ul style="list-style-type: none">■ Household fuse or circuit breaker: If a household fuse has blown or a circuit breaker has tripped, replace the fuse or reset the circuit breaker. If the problem continues, call an electrician.
Microwave oven will not operate	<p>Check the following:</p> <ul style="list-style-type: none">■ Magnetron: Try to heat 1 cup (250 mL) of cold water for 2 minutes at 100% cooking power. If water does not heat, try the steps in the bullets below. If microwave oven still does not operate, call for service.■ Door: Firmly close door. On some models, if a packaging spacer is attached to the inside of the door, remove it, then firmly close door. If a message about the door appears in the display, the door has been closed for 5 minutes or more without the microwave oven being started. This occurs to avoid unintended starting of the microwave oven. Open and close the door, then start the cycle.■ Control: Make sure control is set properly. Make sure Control Lock is OFF. Make sure Demo mode (on some models) is OFF.
Microwave oven makes humming noise	<ul style="list-style-type: none">■ This is normal and occurs when the power supply in the magnetron cycles on.
Microwave oven door looks wavy	<ul style="list-style-type: none">■ This is normal and will not affect performance.
Turntable will not operate	<p>Check the following:</p> <ul style="list-style-type: none">■ Turntable: Make sure turntable is correct side up and is sitting securely on the turntable support. See the “Turntable” section.■ Turntable support: Remove turntable. Remove and clean turntable hub, support, and rollers. Replace hub, support, and turntable. Place 1 cup (250 mL) of water on the turntable, then restart microwave oven. If it still is not working, call for service. See the “Warranty.” Do not operate the microwave oven without turntable and turntable support working properly.
Turntable alternates rotation directions	<ul style="list-style-type: none">■ This is normal and depends on motor rotation at the beginning of the cycle.
Display shows messages	<ul style="list-style-type: none">■ A flashing “12:00” means there has been a power failure. Reset the clock.
Display shows time countdown, but the microwave oven is not operating	<p>Check the following:</p> <ul style="list-style-type: none">■ Timer: See the “Timer” section.
Cooking times seem too long	<p>Check the following:</p> <ul style="list-style-type: none">■ Cooking power: See the “Microwave Cooking Power” section.■ Amount of food: Larger amounts of food need longer cooking times.■ Voltage: Have a qualified electrician check the electrical system in the home.
Radio, TV, or cordless phone interference	<p>Check the following:</p> <ul style="list-style-type: none">■ Proximity: Move the receiver away from the microwave oven or adjust the radio or TV antenna. If the microwave oven is plugged into the same outlet, try a different outlet for the electronic device.■ Soil: Make sure the microwave oven door and sealing surfaces are clean.■ Frequency: Some 2.4 GHz based cordless phones and home wireless networks may experience static or noise while microwave oven is ON. Use a corded phone, a different frequency cordless phone, or avoid using these items during microwave oven operation.

ASSISTANCE OR SERVICE

If you need service:

Please refer to the warranty.

If you need replacement parts:

If you need to order replacement parts, we recommend that you use only factory specified parts. These factory specified parts will fit right and work right because they are made with the same precision used to build every new Whirlpool® appliance.

To locate factory specified parts in your area, call us or your nearest Whirlpool® designated service center.

In the U.S.A.

Call the Whirlpool Customer eXperience Center toll-free: **1-800-253-1301** or visit our website at **www.whirlpool.com**.

Our consultants provide assistance with:

- Scheduling of service. Whirlpool® appliances designated service technicians are trained to fulfill the product warranty and provide after-warranty service anywhere in the United States.
- Features and specifications on our full line of appliances.
- Referrals to local Whirlpool® appliance dealers.
- Installation information.
- Use and maintenance procedures.
- Accessory and repair parts sales.
- Specialized customer assistance (Spanish speaking, hearing impaired, limited vision, etc.).

For further assistance:

If you need further assistance, you can write to Whirlpool with any questions or concerns at:

Whirlpool Brand Home Appliances
Customer eXperience Center
553 Benson Road
Benton Harbor, MI 49022-2692

Please include a daytime phone number in your correspondence.

In Canada

Call the Whirlpool Customer eXperience Center toll-free: **1-800-807-6777** or visit our website at **www.whirlpool.ca**.

Our consultants provide assistance with:

- Scheduling of service. Whirlpool® appliances designated service technicians are trained to fulfill the product warranty and provide after-warranty service anywhere in Canada.
- Features and specifications on our full line of appliances.
- Referrals to local Whirlpool® appliance dealers.
- Use and maintenance procedures.
- Accessory and repair parts sales.

For further assistance:

If you need further assistance, you can write to Whirlpool with any questions or concerns at:

Customer eXperience Centre
Whirlpool Canada
200 - 6750 Century Ave.
Mississauga, Ontario L5N 0B7

Please include a daytime phone number in your correspondence.

Replacement Parts

Glass Turntable
Part Number W11520648

Turntable Support and Rollers
Part Number W11520650

Cleaning Supplies

Affresh® Kitchen Appliance
Cleaner
Part Number W10355010

Affresh® Stainless Steel Cleaner
Part Number W10355016

Turntable Hub
Part Number W11520649

Affresh® Stainless Steel
Wipes
Part Number W10355049

Heavy Duty Degreaser
Part Number 31552A

WHIRLPOOL® MAJOR APPLIANCE LIMITED WARRANTY

ATTACH YOUR RECEIPT HERE. PROOF OF PURCHASE IS REQUIRED TO OBTAIN WARRANTY SERVICE.

Please have the following information available when you call the Customer eXperience Center:

- Name, address, and telephone number
- Model number and serial number
- A clear, detailed description of the problem
- Proof of purchase, including dealer or retailer name and address

IF YOU NEED SERVICE:

1. Before contacting us to arrange service, please determine whether your product requires repair. Some questions can be addressed without service. Please take a few minutes to review the Troubleshooting section of the Use and Care Guide or visit producthelp.whirlpool.com.
2. All warranty service is provided exclusively by our authorized Whirlpool Service Providers. In the U.S. and Canada, direct all requests for warranty service to:

Whirlpool Customer eXperience Center

In the U.S.A., call 1-800-253-1301. In Canada, call 1-800-807-6777.

If outside the 50 United States or Canada, contact your authorized Whirlpool dealer to determine whether another warranty applies.

ONE YEAR LIMITED WARRANTY

WHAT IS COVERED

For one year from the date of purchase, when this major appliance is installed, operated, and maintained according to instructions attached to or furnished with the product, Whirlpool Corporation or Whirlpool Canada LP (hereafter "Whirlpool") will pay for factory specified replacement parts and repair labor to correct defects in materials or workmanship that existed when this major appliance was purchased or, at its sole discretion, replace the product. In the event of product replacement, your appliance will be warranted for the remaining term of the original unit's warranty period.

YOUR SOLE AND EXCLUSIVE REMEDY UNDER THIS LIMITED WARRANTY SHALL BE PRODUCT REPAIR AS PROVIDED HEREIN. Service must be provided by a Whirlpool designated service company. This limited warranty is valid only in the United States or Canada and applies only when the major appliance is used in the country in which it was purchased. This limited warranty is effective from the date of original consumer purchase. Proof of original purchase date is required to obtain service under this limited warranty.

WHAT IS NOT COVERED

1. Commercial, non-residential, multiple-family use, or use inconsistent with published user, operator, or installation instructions.
2. In-home instruction on how to use your product.
3. Service to correct improper product maintenance or installation, installation not in accordance with electrical or plumbing codes, or correction of household electrical or plumbing (e.g., house wiring, fuses, or water inlet hoses).
4. Consumable parts (e.g., light bulbs, batteries, air or water filters, preservation solutions).
5. Defects or damage caused by the use of non-genuine Whirlpool parts or accessories.
6. Conversion of products from natural gas or propane gas.
7. Damage from accident, misuse, abuse, fire, floods, acts of God, or use with products not approved by Whirlpool.
8. Repairs to parts or systems to correct product damage or defects caused by unauthorized service, alteration, or modification of the appliance.
9. Cosmetic damage including scratches, dents, chips, and other damage to the appliance finishes, unless such damage results from defects in materials and workmanship and is reported to Whirlpool within 30 days.
10. Discoloration, rust, or oxidation of surfaces resulting from caustic or corrosive environments including, but not limited to, high salt concentrations, high moisture or humidity, or exposure to chemicals.
11. Food or medicine loss due to product failure.
12. Pickup or delivery. This product is intended for in-home repair.
13. Travel or transportation expenses for service in remote locations where an authorized Whirlpool servicer is not available.
14. Removal or reinstallation of inaccessible appliances or built-in fixtures (e.g., trim, decorative panels, flooring, cabinetry, islands, countertops, drywall) that interfere with servicing, removal, or replacement of the product.
15. Service or parts for appliances with original model/serial numbers removed, altered, or not easily determined.

The cost of repair or replacement under these excluded circumstances shall be borne by the customer.

DISCLAIMER OF IMPLIED WARRANTIES

IMPLIED WARRANTIES, INCLUDING ANY IMPLIED WARRANTY OF MERCHANTABILITY OR IMPLIED WARRANTY OF FITNESS FOR A PARTICULAR PURPOSE, ARE LIMITED TO ONE YEAR OR THE SHORTEST PERIOD ALLOWED BY LAW. Some states and provinces do not allow limitations on the duration of implied warranties of merchantability or fitness, so this limitation may not apply to you. This warranty gives you specific legal rights, and you also may have other rights that vary from state to state or province to province.

DISCLAIMER OF REPRESENTATIONS OUTSIDE OF WARRANTY

Whirlpool makes no representations about the quality, durability, or need for service or repair of this major appliance other than the representations contained in this warranty. If you want a longer or more comprehensive warranty than the limited warranty that comes with this major appliance, you should ask Whirlpool or your retailer about buying an extended warranty.

LIMITATION OF REMEDIES: EXCLUSION OF INCIDENTAL AND CONSEQUENTIAL DAMAGES

YOUR SOLE AND EXCLUSIVE REMEDY UNDER THIS LIMITED WARRANTY SHALL BE PRODUCT REPAIR AS PROVIDED HEREIN. WHIRLPOOL SHALL NOT BE LIABLE FOR INCIDENTAL OR CONSEQUENTIAL DAMAGES. Some states and provinces do not allow the exclusion or limitation of incidental or consequential damages, so these limitations and exclusions may not apply to you. This warranty gives you specific legal rights, and you also may have other rights that vary from state to state or province to province.

SEGURIDAD DEL HORNO DE MICROONDAS

Su seguridad y la seguridad de los demás es muy importante.

Hemos incluido muchos mensajes importantes de seguridad en este manual y en su electrodoméstico. Lea y obedezca siempre todos los mensajes de seguridad.



Este es el símbolo de alerta de seguridad.

Este símbolo le llama la atención sobre peligros potenciales que pueden ocasionar la muerte o una lesión a usted y a los demás.

Todos los mensajes de seguridad irán a continuación del símbolo de advertencia de seguridad y de la palabra "PELIGRO" o "ADVERTENCIA". Estas palabras significan:

 **PELIGRO**

Si no sigue las instrucciones de inmediato, usted puede morir o sufrir una lesión grave.

 **ADVERTENCIA**

Si no sigue las instrucciones, usted puede morir o sufrir una lesión grave.

Todos los mensajes de seguridad le dirán el peligro potencial, le dirán cómo reducir las posibilidades de sufrir una lesión y lo que puede suceder si no se siguen las instrucciones.

INSTRUCCIONES IMPORTANTES DE SEGURIDAD

Al utilizar aparatos eléctricos, se deben seguir las precauciones básicas de seguridad, entre las que se incluyen las siguientes:

ADVERTENCIA: Para minimizar el riesgo de quemaduras, choque eléctrico, incendio, lesiones a las personas o exposición a energía de microondas excesiva:

- Lea todas las instrucciones antes de usar el horno microondas.
- Lea y siga las "PRECAUCIONES PARA EVITAR LA POSIBLE EXPOSICIÓN A ENERGÍA DE MICROONDAS EXCESIVA" específicas que se muestran en esta sección.
- El horno de microondas deberá estar conectado a tierra. Conéctelo solamente a un contacto debidamente conectado a tierra. Consulte las "INSTRUCCIONES DE CONEXIÓN A TIERRA" en esta sección y en las "INSTRUCCIONES DE INSTALACIÓN".
- Instale o ubique el horno microondas únicamente según las instrucciones de instalación proporcionadas.
- Algunos productos, como los huevos enteros con cáscara y los contenedores cerrados (por ejemplo, los frascos de vidrio cerrados) pueden explotar y, por ese motivo, no se deben calentar en el horno microondas.
- Utilice el horno microondas solo para su uso previsto como se indica en este manual. No utilice químicos corrosivos o vapores en el horno microondas. Este tipo de horno se encuentra diseñado específicamente para calentar, cocinar o secar alimentos.
- Como con cualquier aparato, si lo utilizan niños se necesita una estrecha supervisión.
- No use el horno microondas si el cable o enchufe se encuentran dañados, no está funcionando adecuadamente o ha sufrido daños o caídas.
- Solo personal calificado debe realizar el mantenimiento del horno microondas. Comuníquese con alguna empresa de servicio autorizada para su examen, reparación o ajuste.
- No cubra ni bloquee ninguna abertura del horno microondas.
- No use el horno de microondas cerca del agua – por ejemplo, cerca de un fregadero, en un sótano húmedo, o cerca de una piscina o lugares similares.
- No sumerja el cable ni el enchufe en agua.
- Mantenga el cable lejos de las superficies calientes.
- No deje que el cable cuelgue del borde de la mesa o del mostrador.
- Vea las instrucciones de limpieza de la superficie de la puerta en la sección "Cuidado del horno microondas".
- Para reducir el riesgo de incendio en la cavidad del horno:
 - No recueza los alimentos. Vigile el horno microondas si utiliza papel, plástico u otros materiales combustibles dentro de este para facilitar la cocción.
 - Retire las amarras de alambre de las bolsas de papel o plástico antes de introducir las en el horno.
 - Si algún material se prende fuego dentro del horno, mantenga la puerta cerrada, apague el horno y desenchúfelo o corte la corriente en el panel de fusibles o del disyuntor.
 - No deje productos de papel, utensilios de cocina o alimentos en la cavidad cuando no se encuentre en uso.

GUARDE ESTAS INSTRUCCIONES

INSTRUCCIONES IMPORTANTES DE SEGURIDAD

- Los líquidos, como el agua, café o té, se pueden sobrepasar del punto de ebullición sin que parezca que están hirviendo. La ebullición o las burbujas visibles no se encuentran siempre presentes al retirar el contenedor del horno microondas. **ESTO PUEDE TENER COMO RESULTADO LÍQUIDOS MUY CALIENTES QUE HIERVEN REPENTINAMENTE AL MOVER EL CONTENEDOR O INSERTAR UNA CUCHARA U OTRO UTENSILIO EN EL LÍQUIDO.**

A fin de reducir el riesgo de lesiones personales:

- No caliente el líquido más de lo necesario.
- Revuelva el líquido antes y mientras se calienta.
- No utilice contenedores de una pieza con cuello delgado.
- Después de calentarlo, deje reposar el contenedor en el horno de microondas por unos momentos antes de retirarlo.
- Tenga extremo cuidado al insertar una cuchara u otro utensilio en el contenedor.

GUARDE ESTAS INSTRUCCIONES

PRECAUCIONES PARA EVITAR LA POSIBLE EXPOSICIÓN A ENERGÍA EXCESIVA DE MICROONDAS

- (a) No intente operar este horno con la puerta abierta ya que esto puede resultar en exposición nociva a energía de microondas. Es importante no forzar o impedir la operación de las trabas de seguridad.
- (b) No ponga ningún objeto entre la cara frontal del horno y la puerta y no permita que se acumule polvo o residuos de limpiadores en las superficies de sellado.
- (c) No opere el horno si éste está dañado. Es particularmente importante que la puerta del horno cierre correctamente y que no haya daño en:
 - (1) La puerta (torcida),
 - (2) Bisagras y seguros (rotos o flojos),
 - (3) Sellos de la puerta y superficies de sellado.
- (d) El horno no debe ser ajustado o reparado por nadie, excepto personal de servicio calificado.

Este dispositivo cumple con la parte 18 de las reglas de la FCC.

INSTRUCCIONES DE INSTALACIÓN

Desempaque

1. Retire todo el material de embalaje del interior del horno de microondas.
2. Limpie el interior con un paño suave húmedo.
3. Revise si hay daños, como:
 - Una puerta que no esté alineada correctamente,
 - Daños alrededor de la puerta, o
 - Abolladuras en el interior o el exterior del horno de microondas.

Si hay algún daño, no use el horno de microondas hasta que un técnico de servicio designado lo haya revisado y hecho cualquier reparación necesaria.

NOTA: para evitar daños al horno de microondas, no retire la cubierta de la entrada. Consulte la sección "Piezas y características".

Requisitos de ubicación

- Coloque el horno de microondas en un carro, mostrador, mesa o estante lo suficiente fuerte como para sostener el horno de microondas y la comida y los utensilios que se coloquen en el interior.
- El horno de microondas deberá estar a una temperatura de más de 50 °F (10 °C) para que funcione adecuadamente.
- No bloquee los ductos de escape o los orificios de entrada de aire. Deje algunas pulgadas de espacio en la parte posterior y a los lados del horno de microondas en donde se encuentran los ductos de escape. Si los ductos de escape se bloquean, se podrían producir daños en el horno de microondas, así como resultados de cocción deficientes.
- Asegúrese de que las patas niveladoras estén en su lugar para garantizar el flujo de aire adecuado. Si los ductos se bloquean, un mecanismo térmico sensible podría apagar el horno de microondas automáticamente. El horno de microondas deberá funcionar correctamente una vez que se haya enfriado.

Requisitos eléctricos

⚠ ADVERTENCIA



Peligro de Choque Eléctrico

Conecte a un contacto de pared de conexión a tierra de 3 terminales.

No quite la terminal de conexión a tierra.

No use un adaptador.

No use un cable eléctrico de extensión.

No seguir estas instrucciones puede ocasionar la muerte, incendio o choque eléctrico.

Respete todos los códigos y las ordenanzas vigentes.

Se necesita:

- Un suministro eléctrico de 120 V, 60 Hz, CA solamente, de 15 o 20 A con fusible o disyuntor.

Se recomienda:

- Un fusible o un disyuntor retardador.
- Un circuito separado que preste servicio solamente a este horno de microondas.

INSTRUCCIONES PARA LA CONEXIÓN A TIERRA

- **Para todos los aparatos electrodomésticos de conexión con cable:**

El horno de microondas debe estar conectado a tierra. En caso de que se produzca un cortocircuito, la conexión a tierra reduce el riesgo de electrocución por medio de un alambre de escape para la corriente eléctrica. El horno de microondas está equipado con un cable que tiene un alambre de conexión a tierra con un enchufe para conexión a tierra. El enchufe debe estar conectado a un tomacorriente que está correctamente instalado y conectado a tierra.

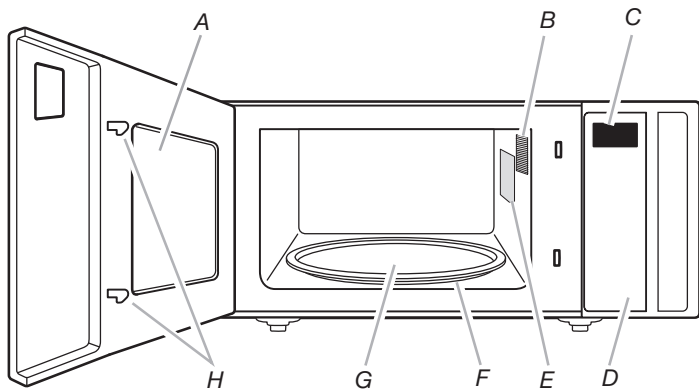
ADVERTENCIA: El uso incorrecto del enchufe para la conexión a tierra puede resultar en riesgo de electrocución. Consulte con un electricista o técnico calificado si las instrucciones para conexión a tierra no se entienden bien o si hay alguna duda con respecto a la correcta conexión a tierra del horno de microondas.

No use un cable de extensión. Si el cable de suministro eléctrico es muy corto, haga que un electricista o técnico calificado instale un tomacorriente cerca del horno de microondas.

GUARDE ESTAS INSTRUCCIONES

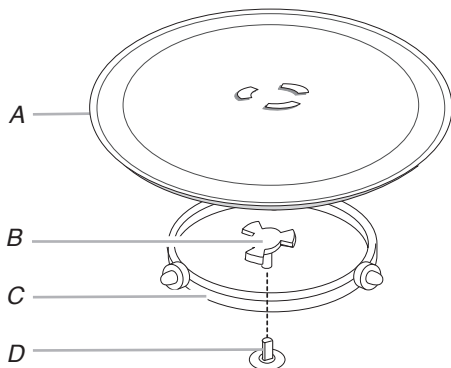
PIEZAS Y CARACTERÍSTICAS

Este manual puede cubrir varios modelos diferentes. El modelo que adquirió puede tener algunas o todas las características que aparecen a continuación. La apariencia de su modelo en particular puede ser ligeramente diferente de las ilustraciones en este manual.



- A. Ventana
- B. Luz del horno de microondas
- C. Pantalla
- D. Panel de control
- E. Cubierta de entrada del microondas
- F. Soporte desmontable de bandeja giratoria
- G. Bandeja giratoria de vidrio
- H. Sistema de bloqueo de la puerta

Bandeja giratoria



- A. Bandeja giratoria
- B. Eje
- C. Soporte
- D. Eje

La bandeja giratoria puede rotar en ambas direcciones para ayudar a cocinar los alimentos de manera más pareja. Para obtener resultados de cocción óptimos, no utilice el horno microondas sin la bandeja giratoria en su lugar. Vea la sección "Asistencia o servicio técnico" para volver a pedir alguna de las piezas.

Para instalar:

1. Coloque el soporte en la base de la cavidad del horno de microondas.
2. Coloque la bandeja giratoria sobre el soporte.

Las líneas curvas elevadas del centro de la parte inferior de la bandeja giratoria deben encajarse entre los 3 rayos del eje. Los rodillos del soporte deben encajar dentro del canal debajo de la bandeja giratoria.

CONTROL DEL HORNO DE MICROONDAS

COOKING GUIDE

KEEP WARM _____
15min to 60min

SOFTEN / MELT _____

Soften
1 Butter: 0.5, 1.0, 1.5, 2.0 (sticks)

Melt
2 Butter: 0.5, 1.0, 1.5, 2.0 (sticks)
3 Chocolate: 4, 6, 8, 12 (oz)
4 Cheese: 8, 16 (oz)

POPCORN _____
3.5(oz)

COOK MENU _____

1 Vegetables: 1, 2, 3, 4 (cups)
2 Soup: 1, 2, 3, 4 (cups)
3 Green Bean: 1, 2, 3, 4 (cups)
4 Scrambled Eggs: 1, 2, 3, 4 (eggs)

DEFROST POULTRY _____
0.2 to 6.6 (lbs) / 0.1 (lb)

DEFROST MEAT _____
0.2 to 6.6 (lbs) / 0.1 (lb)

DEFROST FISH _____
0.2 to 4.4 (lbs) / 0.1 (lb)

STEAM CLEAN _____
1 cup water (250ml)

- FUNCTIONS -

- Power/Time
- Keep Warm
- Soften/Melt
- Popcorn
- Cook Menu

- DEFROST -

- Poultry
- Meat
- Fish
- Manual Defrost
- Steam Clean
- Timer Hold to Set Clock
- Mute/Unmute

CANCEL

Hold to Lock

START

+30 sec

Pantalla

Cuando se suministre energía eléctrica al horno de microondas por primera vez, aparecerá en la pantalla "12:00". Si aparece en la pantalla "12:00" en cualquier otro momento, se ha producido un corte de corriente. Vuelva a configurar el reloj si es necesario. Consulte la sección "Reloj".

Start (Inicio)

El botón Start (Inicio) iniciará cualquier función. Si se interrumpe la cocción sin sensor al abrir la puerta, al tocar START (Inicio) se reanuda el ciclo.

NOTA: para evitar el funcionamiento no intencional del horno de microondas, una función de cocción no se puede poner en marcha si la puerta del horno de microondas ha estado cerrada por aproximadamente 1 minuto. La palabra "door" (puerta) aparecerá en la pantalla hasta que la puerta se abra y se cierre.

Add 30 Seconds (Agregar 30 segundos)

El botón Start Add 30 Sec (Inicio Agregar 30 segundos) pone en marcha automáticamente el horno de microondas al 100 % de la potencia durante 30 segundos y agrega 30 segundos de tiempo de cocción, con cada toque adicional del control.

Se puede agregar tiempo en incrementos de 30 segundos a cualquier ciclo de cocción manual, con la intensidad de cocción actual, tocando el control de ADD 30 SEC (Agregar 30 segundos) durante la cocción.

NOTA: para evitar el funcionamiento no intencional del horno de microondas, una función de cocción no se puede poner en marcha si la puerta del horno de microondas ha estado cerrada por aproximadamente 1 minuto. La palabra "door" (puerta) aparecerá en la pantalla hasta que la puerta se abra y se cierre.

Cancel (Cancelar)

El botón de Cancel (Cancelar) despejará cualquier comando incorrecto y anulará cualquier programa durante la cocción. Toque el botón Cancel (Cancelar) para anular el ciclo. No se borrará la hora del día.

El horno de microondas también se apagará cuando la puerta se abra. Cierre la puerta y toque START (Inicio) para reanudar el ciclo.

El botón Cancel (Cancelar) también se usa para bloquear y desbloquear el panel de control. Consulte la sección "Bloqueo de controles".

Clock (Reloj)

Este reloj es de 12 horas.

Para ajustar:

El horno de microondas debe estar en espera.

1. Toque TIMER (Temporizador) por 3 segundos para ingresar a los ajustes del reloj. También aparecerá cada vez que el producto se conecte a la fuente de energía, o cuando esta regrese después de una falla.
2. Toque el botón +/- para configurar la hora.
3. Toque START (Inicio) por +30 segundos para confirmar.
4. Toque el botón +/- para configurar los minutos.
5. Toque START (Inicio) por +30 segundos para confirmar la configuración.

Timer (Temporizador)

NOTA: el temporizador no pone en marcha ni detiene el horno de microondas.

La función se puede configurar solo en el modo de espera.

Para ajustar:

1. Toque TIMER (Temporizador).
 2. Toque los botones +/- para ingresar el tiempo deseado.
 3. Toque START (Inicio).
Cuando termine el tiempo fijado, sonará el tono de fin del temporizador.
 4. Cuando la cuenta regresiva del temporizador está activa en la pantalla, toque CANCEL (Cancelar) para cancelar el temporizador.
-

Tones (Tonos)

Esta función le permite al usuario activar o desactivar todos los sonidos que reproducen los electrodomésticos, incluye pulsación de botón, advertencias, alarma e incluso retroalimentación de audio final.

Presione el botón Mute/Unmute (Silenciar/reactivar) para silenciar, vuelva a oprimir para reactivar el sonido.

Este función puede funcionar en cualquier momento.

Control Lock (Bloqueo de controles)

Control Lock (Bloqueo de controles) desactiva los botones del panel de control para evitar el uso accidental del horno de microondas.

Para bloquear/desbloquear controles: El horno de microondas debe estar apagado. Mantenga presionado CANCEL (Cancelar) durante unos 3 segundos hasta que suene el tono y aparezca el icono del CANDADO en la pantalla. Repita para desbloquear y borrar la pantalla.

Si se toca cualquier función de cocción con el bloqueo de controles activado, sonará un tono.

USO DEL HORNO MICROONDAS

El magnetrón del horno de microondas produce microondas que se reflejan del piso de metal, las paredes y el techo y atraviesan la bandeja giratoria y los utensilios adecuados hasta los alimentos. La grasa, el azúcar y las moléculas de agua de los alimentos atraen y absorben las microondas, que los hace mover y producir la fricción y el calor que cocinan los alimentos.

- Para evitar daños al horno de microondas, no se apoye en la puerta ni permita que los niños jueguen con ella.
- Para evitar daños al horno de microondas, no lo haga funcionar vacío.
- Los biberones y los tarros de comida para bebé no se deben calentar en el horno de microondas.
- No se debe secar en el horno de microondas ropa, flores, fruta, hierbas, madera, calabazas ni papel, incluidas las bolsas de papel marrón y el papel de periódico.
- La cera de parafina no se derretirá en el horno porque no absorbe las microondas.
- Use guantes para hornear o agarraderas para retirar recipientes del horno de microondas.
- No recueza las papas. Al cabo del tiempo de cocción recomendado, las papas deberán estar ligeramente firmes. Déjelas reposar durante 5 minutos. Se terminarán de cocinar durante el reposo.
- No cocine ni recaliente huevos enteros dentro de la cáscara. La acumulación de vapor en los huevos enteros hacer que exploten y se requiera una limpieza importante de la cavidad del horno de microondas. Cubra los huevos escalfados y déjelos reposar por cierto tiempo.

Características de los alimentos

Al cocinar con microondas, la cantidad, el tamaño y la forma, la temperatura de inicio, la composición y la densidad de los alimentos afectan los resultados de la cocción.

Cantidad de alimentos

Cuanto mayor sea la cantidad de alimentos que se caliente simultáneamente, más tiempo de cocción se necesitará. Verifique el grado de cocción y agregue breves incrementos de tiempo si fuera necesario.

Tamaño y forma

Los pedazos de alimentos más pequeños se cocinarán con mayor rapidez que los pedazos grandes y los alimentos de forma pareja se cocinarán con mayor uniformidad que los de forma irregular.

Temperatura inicial

Los alimentos que estén a temperatura ambiente se calentarán con mayor rapidez que los refrigerados y los alimentos refrigerados se calentarán con mayor rapidez que los congelados.

Composición y densidad

Los alimentos con alto contenido de grasa y de azúcar alcanzarán mayor temperatura y se calentarán con mayor rapidez que otros alimentos. Los alimentos pesados y densos, como la carne y papas necesitan un tiempo de cocción más prolongado que el mismo tamaño de alimentos con densidad ligera y porosa como los pasteles o tortas.

Pautas para cocinar

Cubrir

Cubrir los alimentos ayuda a retener la humedad, acortar el tiempo de cocción y producir menos salpicaduras. Use la tapa provista con los utensilios de cocina. Si no tiene una tapa, puede usar papel de cera, toallas de papel o envoltorios de plástico aptos para hornos de microondas. Los envoltorios de plástico se deben doblar en una esquina para proporcionar una abertura para que salga el vapor. La condensación en la puerta y en las superficies de la cavidad es normal durante una cocción intensa.

Revolver y dar vuelta los alimentos

Al revolver y voltear los alimentos, el calor se redistribuye uniformemente y se evita recocer los bordes exteriores de los alimentos. Revuelva de afuera hacia el centro. De ser posible, dé vuelta los alimentos de abajo hacia arriba.

Disponer los alimentos

Al calentar alimentos de tamaño irregular o de diversos tamaños, las partes más delgadas y los alimentos más pequeños deben disponerse hacia el centro. Al cocinar varios alimentos del mismo tamaño y forma, colóquelos en círculo, dejando vacío el centro del círculo.

Pinchar los alimentos

Antes de calentar, use un tenedor o un cuchillo pequeño para pinchar o hacer piquetes en los alimentos que tienen cáscara o piel, como las papas, yemas de huevo, hígados de pollo, perros calientes y salchichas. Perfore en varios lugares para dejar que salga el vapor.

Proteger los alimentos

Use pedazos pequeños y planos de papel de aluminio para proteger las partes delgadas de alimentos de forma irregular, huesos y alimentos como las alas de pollo, puntas de patas de pollo y colas de pescado. Consulte primero la sección "Papel de aluminio y metal".

Tiempo de reposo

Los alimentos continuarán cocinándose por la conducción natural del calor aún después de terminado el ciclo de cocción por microondas. La duración del tiempo de reposo depende del volumen y la densidad de los alimentos.

Utensilios de cocina y vajilla

Los utensilios de cocina y la vajilla deben caber en la bandeja giratoria. Siempre use guantes para hornear o agarraderas para manipular los utensilios, ya que cualquier plato puede calentarse por el calor transferido de los alimentos. No use utensilios ni vajilla con bordes dorados o plateados. Use el cuadro siguiente a modo de guía y luego pruebe los utensilios antes de utilizarlos.

Material	Recomendaciones
Papel de aluminio, metal	Vea la sección "Papel de aluminio y metal".
Plato para dorar	El fondo debe estar al menos a 3/16" (5 mm) por encima de la bandeja giratoria. Siga las recomendaciones del fabricante.
Vidrio de cerámica, vidrio	Se puede usar
Porcelana, loza de barro	Siga las recomendaciones del fabricante.
Melamina	Siga las recomendaciones del fabricante.
Papel: Toallas, vajilla, servilletas	Use papel no reciclado y los que el fabricante apruebe como aptos para horno de microondas.
Plástico: Envoltorios, bolsas, cubiertas, vajilla, recipientes	Use los que el fabricante apruebe como aptos para horno de microondas.
Cerámica y arcilla	Siga las recomendaciones del fabricante.
Utensilios para hornear de silicona	Siga las recomendaciones del fabricante.
Recipientes de paja, de mimbre y de madera	No los use en el horno de microondas.
Papel de cera	Se puede usar

Para probar los utensilios de cocina o la vajilla que se usarán en el microondas:

1. Coloque los utensilios de cocina o vajilla en el horno microondas con 1 taza (250 ml) de agua al lado.
 2. Cocine a una potencia del 100 % durante un minuto.
- No use el utensilio de cocina ni la vajilla si se pone caliente y el agua permanece fría.

Papel de aluminio y metal

Siempre use guantes para hornear o agarraderas al retirar los recipientes del horno de microondas.

El papel de aluminio y algunos tipos de metal pueden usarse en el horno de microondas. Si no se usan debidamente, pueden producir chispas (ráfagas azules de luz) y causar daños al horno de microondas.

Uso permitido

Las rejillas y los utensilios para hornear provistos con el horno de microondas (en algunos modelos), el papel de aluminio para protección y los termómetros para carne aprobados se pueden utilizar teniendo en cuenta las siguientes pautas:

- Para evitar daños al horno de microondas, no permita que el papel de aluminio o el metal toquen las paredes, el techo o el piso de la cavidad interior.
- Siempre use la bandeja giratoria.
- Para evitar daños al horno de microondas, evite el contacto con otros objetos metálicos durante la cocción por microondas.

Uso no permitido

No se deben utilizar en el horno de microondas utensilios de cocina y de hornear metálicos, oro, plata, peltre, termómetros para carne no aprobados, pinchos, precintos, forros de papel metálico como envoltorios para emparedados, grapas y objetos con bordes de oro o plata con glaseado metálico.

Potencia de cocción del microondas

Muchas recetas para la cocción en el horno de microondas especifican la intensidad de cocción que se debe utilizar por nivel de potencia. Por ejemplo, P70 = Media a alta.

Use la tabla siguiente como guía general para la potencia de cocción sugerida para alimentos específicos.

Porcentaje/ nombre	Pantalla	Uso
100 %, alta (valor predeterminado)	P100	Calentar rápidamente alimentos preparados y alimentos con alto contenido de agua, como sopas, bebidas y la mayoría de las verduras
90%	P-90	Cocinar trozos pequeños de carne tierna, carne molida, trozos de ave y filetes de pescado Calentar sopas cremosas
80%	P-80	Calentar arroz, pasta o guisados Cocinar y calentar alimentos que necesitan una potencia de cocción más baja que la alta. Por ejemplo, pescado entero y rollo de carne molida
70%, Media-Alta	P-70	Recalentar una sola porción de comida
60%	P-60	Cocinar alimentos delicados como platos con queso y huevos, budines y natillas Cocinar guisados que no pueden revolverse, como la lasaña
50%, media	P-50	Cocinar jamón, aves enteras y cazuelas Cocinar estofados de manera lenta
40%	P-40	Derretir chocolate Calentar pan, bollos y pasteles
30%, media a baja, descongelar	P-30	Descongelar pan, pescado, carnes, aves y alimentos precocidos
20%	P-20	Ablandar mantequilla, queso y helado
10%, baja	P-10	Llevar las frutas a temperatura ambiente

Cocción manual

Forma de uso:

1. Toque POWER/TIME (Potencia/tiempo) para ingresar el nivel de potencia, el valor predeterminado es P100.
2. Toque el botón +/- para elegir el nivel de potencia.
3. Vuelva a tocar POWER/TIME (Potencia/tiempo) para ajustar el tiempo de cocción, el predeterminado es de 15 segundos.
4. Toque el botón +/- para configurar el tiempo de cocción, luego toque START/+30 sec (Inicio/+30 seg) para comenzar a cocinar.

Cook Menu (Menú de cocción)

El horno de microondas ha sido programado con alimentos comunes que se pueden poner en microondas, sus cantidades, potencias y tiempos de cocción.

Use la siguiente tabla como guía para la cocción programada.

Alimentos	Tamaño de porción	Instrucciones
P1 Verduras frescas	1-4 tazas/ 1 taza	De temperatura ambiente. Ponga la comida en el plato seguro para microondas, añada 2 cucharadas de agua para 1-2 tazas, añada 4 cucharadas de agua para 3-4 tazas. Cubra el plato y deje ventilación de aire. Revuelva y deje reposar 2 o 3 minutos después de la cocción.
P2 Sopa	1-4 tazas/ 1 taza	De temperatura ambiente. Cubra el plato y deje ventilación de aire. Revuelva y deje reposar 2 o 3 minutos después de la cocción.
P3 Arvejas	1-4 tazas/ 1 taza	De temperatura ambiente. Ponga la comida en el plato seguro para microondas, añada 2 cucharadas de agua para 1-2 tazas, añada 4 cucharadas de agua para 3-4 tazas. Cubra el plato y deje ventilación de aire. Revuelva y deje reposar 2 o 3 minutos después de la cocción.
P4 Huevos revueltos	1-4 huevos/ 1 huevo	De temperatura ambiente. Ponga la comida en un plato apto para microondas, añada 1 cucharada de agua por un huevo, y mezcle bien. Cubra el plato. Revuelva y deje reposar 2 o 3 minutos después de la cocción.

Cómo utilizar el menú de cocción:

1. Ponga la comida en la bandeja giratoria y cierre la puerta.
2. Toque el botón Cook Menu (Menú de cocción) repetidamente para elegir el menú.
3. Toque el botón +/- para cambiar la cantidad.
4. Toque START/+30 sec. (Inicio/+30 seg)
La pantalla hará una cuenta regresiva del tiempo de cocción. Cuando termine el ciclo, aparecerá "End" (Fin) en la pantalla y sonarán los tonos de fin de ciclo.

Popcorn (Palomitas de maíz)

Esta función le permite cocinar bolsas de palomitas para horno de microondas. Use solo para bolsas de 3.5 oz.

Forma de uso:

1. Toque el botón Popcorn (Palomitas de maíz).
2. Toque el botón START/+30 sec (Inicio/+30 seg) para iniciar la función.

Soften/Melt (Ablandar/derretir)

Una selección de recetas automáticas con valores predeterminados para ofrecer resultados óptimos de cocción.

Forma de uso:

1. Toque el botón Soften/Melt (Ablandar/derretir) repetidamente para seleccionar la receta deseada (consulte la siguiente tabla).
2. Toque el botón +/- para seleccionar el peso o la cantidad.
3. Toque el botón START/+30 sec (Inicio/+30 seg). Empezará la función.

Alimentos	Tamaño de porción	Instrucciones
P1 Derretir mantequilla	0,5, 1,0, 1,5, 2,0 barritas	Desde el estado del refrigerador, desenvuelva y coloque en un plato apto para microondas.
P2 Derretir mantequilla	0,5, 1,0, 1,5, 2,0 barritas	Desde el estado del refrigerador, desenvuelva y coloque en un plato apto para microondas.
P3 Derretir chocolate	4, 6, 8, 12 oz	Desde temperatura ambiente, coloque en un plato apto para microondas.
P4 Derretir Queso	8, 16 oz	Desde el estado del refrigerador, coloque en un plato apto para microondas.

Defrost (Descongelar)

- Quite los envoltorios y las tapas de los alimentos (por ejemplo, de los envases de jugos de frutas) antes de la descongelación.
- Los paquetes poco profundos se descongelarán con más rapidez que los bloques profundos.
- Separe los trozos de alimentos lo antes posible, durante o al final del ciclo, para lograr un descongelado más uniforme.
- Use pedazos pequeños de papel de aluminio para proteger partes de los alimentos como las alas y las puntas de las patas del pollo y las colas de los pescados. Consulte primero la sección "Papel de aluminio y metal".

Auto Defrost (Descongelación automática)

El producto brinda una función de descongelamiento automático para tres tipos de alimentos.

Para usar la descongelación automática:

1. Toque los menús Defrost (Descongelar) (consulte la siguiente tabla).
2. Toque el botón +/- para establecer el peso y toque el botón START/+30 sec (INICIO/+30 seg) para iniciar.

Alimentos	Tamaño de porción	Instrucciones
Aves	0,2 -6,6 lb/ 0,1 lb	Pollo entero, piezas o filetes. Para obtener mejores resultados, después de cocinar espere por lo menos 5 minutos.
Carne	0,2 -6,6 lb/ 0,1 lb	Carne molida, chuletas, filetes o asados. Para obtener mejores resultados, después de cocinar espere por lo menos 5 minutos.
Pescado	0,2 -4,4 lb/ 0,1 lb	Pescado entero, piezas o filetes. Para obtener mejores resultados, después de cocinar espere por lo menos 5 minutos.

Manual Defrost (Descongelado manual)

Para utilizar Manual Defrost (Descongelado manual):

1. Toque el botón Manual Defrost (Descongelado manual).
2. Toque el botón +/- para aumentar o disminuir los valores de tiempo.
3. Toque START/+30 sec (Inicio/+30 seg) para iniciar.

Steam Clean (Limpieza con vapor)

Este ciclo de limpieza automático le ayudará a limpiar la cavidad del horno de microondas y eliminar los olores desagradables.

Antes de iniciar el ciclo:

1. Ponga 250 ml de agua en un recipiente (consulte nuestras recomendaciones en la sección "Consejos y sugerencias" a continuación).
2. Coloque el recipiente directamente en el centro de la cavidad.

Para iniciar el ciclo:

1. Presione el botón Steam Clean (Limpieza con vapor), la duración del ciclo de limpieza será visible en la pantalla.
2. Presione el botón Start (Inicio) para iniciar la función.

Cuando el ciclo termine:

1. Presione el botón Cancel (Parar).
2. Retire el recipiente.
3. Utilice un paño suave o una toalla de papel con un detergente suave para limpiar las superficies interiores.

Consejos y sugerencias:

Para un mejor resultado de limpieza, se recomienda utilizar un recipiente con un diámetro de 17-20 cm y una altura inferior a 6,5 cm.

Se recomienda utilizar un recipiente de material plástico ligero apto para microondas.

Como el recipiente estará caliente después de que se complete el ciclo de limpieza, se recomienda usar un guante resistente al calor al sacar el recipiente del microondas.

Para un mejor efecto de limpieza y eliminación de olores desagradables, agregue un poco de jugo de limón o vinagre al agua.

Keep Warm (Mantener caliente)

Esta función le permite mantener sus platos calientes automáticamente.

1. Toque el botón Keep Warm (Mantener caliente).
2. Toque el botón +/- para seleccionar el tiempo adecuado, luego toque el botón START/+30 sec (Inicio/+30 seg) para iniciar. El tiempo predeterminado es de 30 minutos.

Alimentos	Peso	Temperatura	Tiempo (El tiempo máximo es de 60 minutos)	Recipiente
Cacerola de atún y fideos	4 tasas (880 g)	165 °F (73,8 °C)	El tiempo puede ajustarse	Plato apto para microondas

CUIDADO DEL HORNO MICROONDAS

Limpieza general

IMPORTANTE: Antes de la limpieza, asegúrese de que todos los controles estén apagados y que el horno de microondas esté frío. Siempre siga las instrucciones de las etiquetas de los productos de limpieza.

Se sugiere usar agua, jabón y un paño o una esponja suave, a menos que se indique otra cosa.

CAVIDAD DEL HORNO DE MICROONDAS

Para evitar daños en la cavidad del horno de microondas, no use estropajos precargados con jabón, limpiadores abrasivos, estropajos de lana de acero, paños de lavar ásperos o algunas toallas de papel reciclado.

Para evitar daños en los modelos de acero inoxidable, frote en la dirección de la veta.

Se debe mantener limpia la zona donde la puerta del horno de microondas hace contacto con el marco cuando está cerrada.

Suciedad promedio

- Jabones y detergentes suaves, no abrasivos:
Enjuague con agua limpia y seque con un paño suave que no deje pelusa.

Suciedad profunda

- Jabones y detergentes suaves, no abrasivos:
Caliente 1 taza (250 ml) de agua durante 2 a 5 minutos en el horno de microondas. El vapor ablandará la suciedad.
Enjuague con agua limpia y seque con un paño suave que no deje pelusa.

Olores

- Jugo de limón o vinagre:
Caliente 1 taza (250 ml) de agua con 1 cucharada (15 ml) de jugo de limón o vinagre durante 2 a 5 minutos en el horno de microondas.

Cubierta para la entrada de microondas

Para evitar que se produzcan arcos y el horno de microondas se dañe, la cubierta de la entrada de microondas (vea "Piezas y características") debe mantenerse limpia.

- Limpie con un paño húmedo.

PUERTA Y EXTERIOR DEL HORNO DE MICROONDAS

Se debe mantener limpia la zona donde la puerta del horno de microondas hace contacto con el marco cuando está cerrada.

- Jabones y detergentes suaves, no abrasivos:
Enjuague con agua limpia y seque con un paño suave que no deje pelusa.
- Limpiavidrios y toallas de papel o un estropajo plástico no abrasivo:
Aplique el limpiador de vidrios a la toalla, no lo haga directamente sobre la superficie.

Acero inoxidable (en algunos modelos)

Para evitar daños a la puerta y el exterior del horno de microondas, no use estropajos que vienen precargados con jabón, productos de limpieza abrasivos, estropajos de metal, paños ásperos o ciertas toallas de papel. Frote en la dirección del hilo.

- Limpiador de acero inoxidable (no incluido):
Vea la sección "Ayuda o servicio técnico" para hacer pedidos.
- Limpiador de uso general:
Enjuague con agua limpia y seque con un paño suave que no deje pelusa.
- Vinagre para manchas de agua dura.

PANEL DE CONTROL

- Esponja o paño suave y agua:
Humedezca la esponja con agua y repase el panel. Seque con un paño suave.
- Para evitar daños en el panel de control, no use sustancias químicas ni limpiadores abrasivos.

BANDEJA GIRATORIA

Vuelva a colocar la bandeja giratoria de inmediato después de la limpieza. No ponga a funcionar el horno de microondas sin la bandeja giratoria en su lugar.

- Producto de limpieza suave y estropajo.
- Lavavajillas.

SOLUCIÓN DE PROBLEMAS

Pruebe primero las soluciones sugeridas aquí. Si necesita asistencia adicional o más recomendaciones que puedan ayudarle a evitar una llamada de servicio técnico, consulte la garantía o visite http://www.whirlpool.com/product_help. En Canadá, visite <http://www.whirlpool.ca>. Si tiene preguntas o dudas, contáctenos por correo a la dirección que aparece a continuación:

En los EE. UU.:

Whirlpool Brand Home Appliances
Customer eXperience Center
553 Benson Road
Benton Harbor, MI 49022-2692

En Canadá:

Whirlpool Brand Home Appliances
Customer eXperience Centre
200 – 6750 Century Ave.
Mississauga, Ontario L5N 0B7

Incluya en su correspondencia un número de teléfono en el que se le pueda localizar durante el día.

Si experimenta lo siguiente	Soluciones recomendadas
Nada funciona	<p>Revise lo siguiente:</p> <ul style="list-style-type: none"> ■ Fusible o disyuntor de la casa: Si hay un fusible de la casa fundido o se disparó el disyuntor, reemplace el fusible o restablezca el disyuntor. Si el problema continúa, llame a un electricista.
El horno de microondas no funciona	<p>Revise lo siguiente:</p> <ul style="list-style-type: none"> ■ Magnetrón: Intente calentar una taza (250 ml) de agua fría durante 2 minutos al 100 % de potencia de cocción. Si el agua no se calienta, pruebe los pasos que se enumeran a continuación. Si el horno de microondas aún no funciona, llame para solicitar servicio técnico. ■ Puerta: Cierre la puerta con firmeza. En algunos modelos, si hay un separador de empaque sujeto al interior de la puerta, retírelo y, después, cierre la puerta con firmeza. Si aparece en la pantalla un mensaje acerca de la puerta, la puerta ha estado cerrada durante 5 minutos o más sin que se haya puesto a funcionar el horno. Esto sucede para evitar que el horno de microondas se ponga en marcha accidentalmente. Abra y cierre la puerta; luego, inicie el ciclo. ■ Controles: Asegúrese de que los controles estén configurados debidamente. Asegúrese de que el bloqueo de controles esté desactivado. Asegúrese de que el Demo mode (Modo de demostración) (en algunos modelos) esté desactivado.
El horno de microondas emite zumbidos	<ul style="list-style-type: none"> ■ Esto es normal y ocurre cuando se activa el suministro eléctrico del magnetrón.
La puerta del horno de microondas parece ondulada	<ul style="list-style-type: none"> ■ Esto es normal y no afecta el funcionamiento.
La bandeja giratoria no funciona	<p>Revise lo siguiente:</p> <ul style="list-style-type: none"> ■ Bandeja giratoria: Cerciórese de que la bandeja giratoria tenga el lado correcto hacia arriba y que esté debidamente asentada en su soporte. Consulte la sección “Bandeja giratoria”. ■ Soporte de la bandeja giratoria: Quite la bandeja giratoria. Quite y limpie el eje, el soporte y los rodillos de la bandeja giratoria. Vuelva a colocar el eje, el soporte y la bandeja giratoria. Coloque 1 taza (250 ml) de agua en la bandeja giratoria; después, vuelva a poner a funcionar el horno de microondas. Si todavía no funciona, solicite servicio. Consulte la “Garantía”. No ponga a funcionar el horno de microondas si la bandeja giratoria y su soporte no están funcionando bien.
La bandeja giratoria gira en ambas direcciones de manera alternada	<ul style="list-style-type: none"> ■ Esto es normal y depende de la rotación del motor al comienzo del ciclo.
La pantalla muestra mensajes	<ul style="list-style-type: none"> ■ Si aparece “12:00” de manera intermitente, significa que ha habido un corte de corriente. Restablezca el reloj.
La pantalla muestra la cuenta regresiva pero el horno de microondas no está funcionando	<p>Revise lo siguiente:</p> <ul style="list-style-type: none"> ■ Timer (Temporizador): Vea la sección “Temporizador”.
Los tiempos de cocción parecen demasiado prolongados	<p>Revise lo siguiente:</p> <ul style="list-style-type: none"> ■ Potencia de cocción: Consulte la sección “Potencia de cocción del microondas”. ■ Cantidad de alimentos: Las cantidades más grandes de alimentos requieren de tiempos de cocción más largos. ■ Tensión: Solicite que un electricista calificado compruebe el sistema eléctrico de su casa.
Interferencia de radio, TV o teléfono inalámbrico	<p>Revise lo siguiente:</p> <ul style="list-style-type: none"> ■ Proximidad: Aleje su receptor del horno de microondas o ajuste la antena de radio o televisión. Si el horno de microondas está enchufado en el mismo tomacorriente, pruebe otro tomacorriente para el dispositivo electrónico. ■ Suciedad: Asegúrese de la puerta del horno de microondas y las superficies de sellado estén limpias. ■ Frecuencia: Algunos teléfonos inalámbricos de 2,4 GHz y algunas redes inalámbricas del hogar pueden sufrir estática o ruidos mientras el horno de microondas está encendido. Use un teléfono con cable o un teléfono inalámbrico de frecuencia diferente, o evite usar esos dispositivos mientras el horno está en funcionamiento.

AYUDA O SERVICIO TÉCNICO

Si necesita servicio:

Consulte la garantía.

Si necesita piezas de repuesto:

Si necesita pedir piezas de repuesto, recomendamos que use únicamente piezas especificadas de fábrica. Las piezas especificadas de fábrica encajarán bien y funcionarán correctamente ya que están hechas con la misma precisión empleada en la fabricación de cada electrodoméstico nuevo de Whirlpool®.

Para encontrar piezas especificadas de fábrica en su localidad, llámenos o llame al centro de servicio técnico designado de Whirlpool® más cercano.

En Estados Unidos.

Llame al Customer eXperience Center de Whirlpool sin costo al: **1-800-253-1301** o visite nuestro sitio web en **www.whirlpool.com**.

Nuestros consultores ofrecen ayuda con:

- Programación de servicio. Los técnicos de servicio designados de Whirlpool® están capacitados para cumplir con la garantía del producto y ofrecer servicio una vez que la garantía termine, en cualquier lugar de los Estados Unidos.
- Características y especificaciones de nuestra línea completa de electrodomésticos.
- Referencias a distribuidores de electrodomésticos Whirlpool®.
- Información sobre la instalación.
- Procedimientos de uso y mantenimiento.
- Venta de accesorios y repuestos.
- Asistencia al cliente especializada (idioma español, deficiencias de audición, visión limitada, etc.).

Para obtener más asistencia:

Si necesita asistencia adicional, puede escribir a Whirlpool con sus preguntas o dudas a:

Whirlpool Brand Home Appliances
Customer eXperience Center
553 Benson Road
Benton Harbor, MI 49022-2692

Incluya en su correspondencia un número de teléfono en el que se le pueda localizar durante el día.

En Canadá

Llame al Customer eXperience Center de Whirlpool sin costo al: **1-800-807-6777** o visite nuestro sitio web en **www.whirlpool.ca**.

Nuestros consultores ofrecen ayuda con:

- Programación de servicio. Los técnicos de servicio designados para electrodomésticos Whirlpool® están capacitados para cumplir con la garantía del producto y ofrecer servicio una vez que la garantía termine en cualquier lugar de Canadá.
- Características y especificaciones de nuestra línea completa de electrodomésticos.
- Referencias a distribuidores de electrodomésticos Whirlpool®.
- Procedimientos de uso y mantenimiento.
- Venta de accesorios y repuestos.

Para obtener más asistencia:

Si necesita asistencia adicional, puede escribir a Whirlpool con sus preguntas o dudas a:

Customer eXperience Centre
Whirlpool Canada
200 - 6750 Century Ave.
Mississauga, Ontario L5N 0B7

Incluya en su correspondencia un número de teléfono en el que se le pueda localizar durante el día.

Piezas de repuesto

Bandeja giratoria de vidrio
Pieza número W11520648

Soporte y rodillos de la
bandeja giratoria
Pieza número W11520650

Artículos de limpieza

Limpiador para cocina y
electrodomésticos affresh®
Pieza número W10355010

Limpiador para acero inoxidable
affresh®, referencia W10355016

Eje de bandeja giratoria
Pieza número W11520649

Toallitas para acero
inoxidable affresh®
Pieza número W10355049

Desengrasante de
alto rendimiento
Pieza número 31552A

GARANTÍA LIMITADA DE LOS ELECTRODOMÉSTICOS PRINCIPALES DE WHIRLPOOL®

ADJUNTE SU RECIBO AQUÍ. SE REQUIERE LA PRUEBA DE COMPRA PARA OBTENER SERVICIO BAJO LA GARANTÍA.

Tenga a mano la siguiente información cuando llame al Centro para la eXperiencia del cliente:

- Nombre, dirección y número de teléfono
- Número de modelo y de serie
- Una descripción clara y detallada del problema
- Prueba de compra incluido el nombre y la dirección del distribuidor o vendedor

SI NECESITA SERVICIO TÉCNICO:

1. Antes de contactarnos para obtener servicio, determine si el producto requiere reparación. Algunas consultas pueden atenderse sin servicio técnico. Tómese unos minutos para revisar la sección de Solución de problemas del Manual de uso y cuidado, o visite producthelp.whirlpool.com.
2. Todos los servicios bajo la garantía los brindan exclusivamente Prestadores autorizados de servicio de Whirlpool. Para EE.UU. y Canadá, dirija todas las solicitudes de servicio bajo la garantía a:

Centro para la eXperiencia del cliente de Whirlpool

En EE.UU., llame al 1-800-253-1301. En Canadá, llame al 1-800-807-6777.

Si usted se encuentra fuera de los cincuenta Estados Unidos o Canadá, póngase en contacto con su distribuidor autorizado de Whirlpool para determinar si corresponde otra garantía.

GARANTÍA LIMITADA DE UN AÑO

LO QUE ESTÁ CUBIERTO

Durante un año a partir de la fecha de compra, siempre y cuando este electrodoméstico principal haya sido instalado, mantenido y operado según las instrucciones adjuntas o provistas con el producto, Whirlpool Corporation o Whirlpool Canada LP (en lo sucesivo denominado "Whirlpool") se hará cargo del costo de las piezas especificadas de fábrica y del trabajo de reparación para corregir defectos en los materiales o en la mano de obra existentes en el momento de la compra de este electrodoméstico principal o, a su sola discreción, reemplazará el producto. En el caso de reemplazar el producto, su electrodoméstico estará cubierto por la garantía por el tiempo restante del período de garantía de la unidad original.

SU ÚNICO Y EXCLUSIVO RECURSO SEGÚN LOS TÉRMINOS DE ESTA GARANTÍA LIMITADA SERÁ EL DE REPARAR EL PRODUCTO SEGÚN SE ESTIPULA EN LA PRESENTE. El servicio deberá ser suministrado por una compañía de servicio designada por Whirlpool. Esta garantía limitada es válida solo en Estados Unidos o en Canadá y se aplica exclusivamente cuando el electrodoméstico principal se usa en el país en el que se ha comprado. Est garantía limitada entrará en vigor a partir de la fecha de la compra del consumidor original. Se requiere una prueba de la fecha de compra original para obtener servicio bajo esta garantía limitada.

LO QUE NO ESTÁ CUBIERTO

1. Uso comercial, no residencial o familiar múltiple o uso diferente del indicado en las instrucciones del usuario, del operador o de instalación publicadas.
2. Instrucción a domicilio sobre cómo usar el producto.
3. Servicio para corregir el mantenimiento o la instalación incorrecta del producto, la instalación que no esté de acuerdo con los códigos eléctricos o de plomería o corrección de plomería o instalación eléctrica doméstica (por ejemplo, instalación eléctrica, fusibles o mangueras de entrada de agua del hogar).
4. Piezas de consumo (por ejemplo, focos de luz, baterías, filtros de agua o de aire, soluciones de conservación).
5. Defectos o daños causados por el uso de piezas o accesorios no legítimos de Whirlpool.
6. Conversión del producto de gas natural o gas propano.
7. Daño causado por accidente, uso indebido, abuso, incendio, inundación, actos fortuitos o el empleo de productos no aprobados por Whirlpool.
8. Reparaciones a piezas o sistemas para corregir el daño o los defectos del producto a causa de reparaciones por servicio no autorizado, alteraciones o modificaciones en el electrodoméstico.
9. Daños estéticos, incluyendo rayaduras, abolladuras, desportilladuras u otro daño al acabado del electrodoméstico a menos que el mismo sea debido a defectos en los materiales o la mano de obra y se le informe a Whirlpool en un lapso de 30 días.
10. Decoloración, herrumbre u oxidación de las superficies producto de entornos corrosivos o cáusticos que incluyen, entre otras cosas, altas concentraciones de sal, humedad elevada o exposición a productos químicos.
11. Pérdida de comida o medicamentos debido a la falla del producto.
12. Recogida o entrega. Este producto está destinado para ser reparado en su hogar.
13. Gastos de viaje o de transporte para prestar servicio en lugares remotos en los cuales no haya disponible un técnico de servicio autorizado por Whirlpool.
14. Retiro o reinstalación de electrodomésticos en lugares inaccesibles o dispositivos empotrados (por ejemplo, adornos, paneles decorativos, pisos, armarios, islas, mostradores, paredes) que interfieran con el servicio, el retiro o el reemplazo del producto.
15. Servicio técnico o piezas para electrodomésticos con números de serie/modelo originales removidos, alterados o no identificados con facilidad.

El costo de la reparación o del reemplazo bajo estas circunstancias excluidas correrá por cuenta del cliente.

EXCLUSIÓN DE GARANTÍAS IMPLÍCITAS

LAS GARANTÍAS IMPLÍCITAS, INCLUYENDO CUALQUIER GARANTÍA IMPLÍCITA DE COMERCIABILIDAD O GARANTÍA IMPLÍCITA DE CAPACIDAD PARA UN PROPÓSITO PARTICULAR, SERÁN LIMITADAS A UN AÑO O AL PERÍODO MÁS CORTO PERMITIDO POR LEY. Algunos estados y provincias no permiten la limitación de la duración de las garantías implícitas de comerciabilidad o capacidad, de modo que la limitación arriba indicada quizá no le corresponda. Esta garantía le otorga derechos legales específicos y es posible que usted tenga también otros derechos que varían de un estado a otro o de una provincia a otra.

EXCLUSIÓN DE DECLARACIONES FUERA DE LA GARANTÍA

Whirlpool no hace declaraciones acerca de la calidad, durabilidad o necesidad de servicio técnico o reparación de este electrodoméstico principal aparte de las declaraciones incluidas en esta garantía. Si usted desea una garantía con una duración más prolongada o más completa que la garantía limitada que se incluye con este electrodoméstico principal, deberá dirigirse a Whirlpool o a su distribuidor acerca de la compra de una garantía extendida.

LIMITACIÓN DE RECURSOS; EXCLUSIÓN DE DAÑOS INCIDENTALES Y CONSECUENTES

SU ÚNICO Y EXCLUSIVO RECURSO SEGÚN LOS TÉRMINOS DE ESTA GARANTÍA LIMITADA SERÁ EL DE REPARAR EL PRODUCTO SEGÚN SE ESTIPULA EN LA PRESENTE. WHIRLPOOL NO SE RESPONSABILIZARÁ POR DAÑOS INCIDENTALES O CONSECUENTES. Algunos estados y provincias no permiten la exclusión o limitación de daños incidentales o consecuentes, de modo que estas limitaciones y exclusiones quizá no le correspondan. Esta garantía le otorga derechos legales específicos y es posible que usted tenga también otros derechos que varían de un estado a otro o de una provincia a otra.