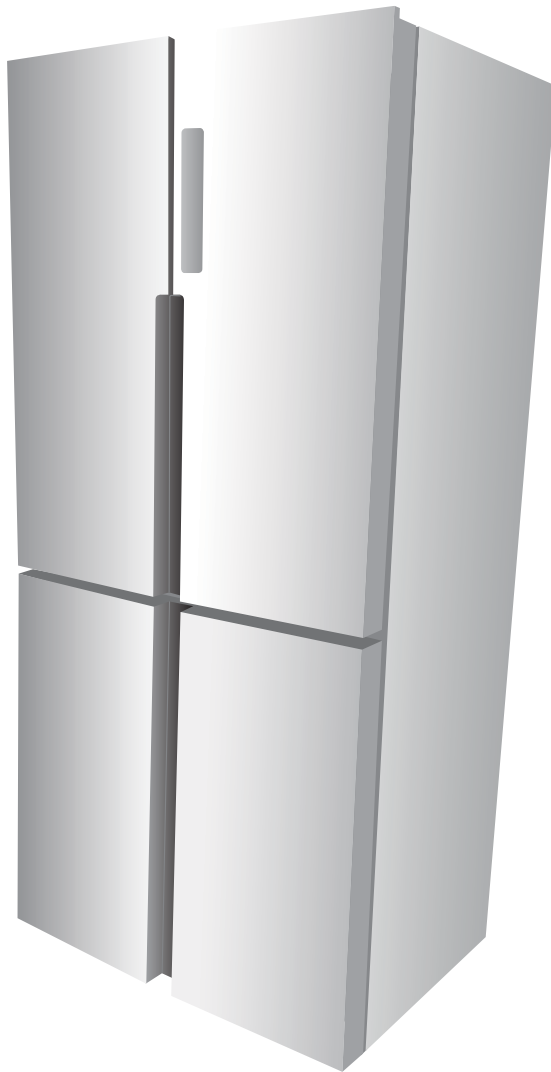


# Haier

Installation and User Manual  
Instructions d'installation et  
Guide de l'utilisateur  
Instrucciones de instalación y  
Manual del usuario  
QHE16HYPFS

## 4 Door Bottom Mount Refrigerator Réfrigérateur à quatre portes monté par le bas Refrigerador de 4 Puertas con Montaje Inferior





# TABLE OF CONTENTS

<b>REFRIGERATOR SAFETY</b> .....	<b>4</b>
Proper Disposal of Your Old Refrigerated Appliance .....	5
<b>PARTS AND FEATURES</b> .....	<b>6</b>
<b>INSTALLATION REQUIREMENTS</b> .....	<b>7</b>
Location Requirements .....	7
Connecting Electricity .....	7
<b>INSTALLATION INSTRUCTIONS</b> .....	<b>8</b>
Unpacking Refrigerator .....	8
Leveling Refrigerator .....	8
Proper Air Circulation .....	8
Door Alignment .....	9
Opening and Closing Doors .....	9
<b>REFRIGERATOR USE</b> .....	<b>10</b>
Controls .....	10
Features .....	12
Freezer .....	12
<b>REFRIGERATOR CARE</b> .....	<b>13</b>
Cleaning .....	13
Lights .....	13
Vacation and Moving .....	13
Reinstalling/Using Refrigerator Again .....	14
<b>ACCESSORY</b> .....	<b>15</b>
Icemaker Installation .....	15
<b>TROUBLESHOOTING</b> .....	<b>19</b>
<b>LIMITED WARRANTY</b> .....	<b>21</b>
<b>RECORD KEEPING</b> .....	<b>22</b>

# REFRIGERATOR SAFETY

## IMPORTANT SAFETY INSTRUCTIONS

**⚠ WARNING** To reduce the risk of fire, explosion, electric shock, or injury when using your refrigerator, follow these basic safety precautions:

- This refrigerator must be properly installed and located in accordance with the Installation Instructions before it is used.
- Unplug the refrigerator before making repairs, replacing a light bulb, or cleaning.
 

**NOTE:** Power to the refrigerator cannot be disconnected by any setting on the control panel.

**NOTE:** Repairs must be performed by a qualified Service Professional.
- Replace all parts and panels before operating.
- Do not use an extension cord.
- Do not store or use gasoline or other flammable vapors and liquids in the vicinity of this or any other appliance.
- Do not store explosive substances such as aerosol cans with a flammable propellant in this appliance.
- To prevent suffocation and entrapment hazards to children, remove the fresh food and freezer doors from any refrigerator before disposing of it or discontinuing its use.
- To avoid serious injury or death, children should not stand on, or play in or with the appliance.
- Children and persons with reduced physical, sensory or mental capabilities or lack of experience and knowledge can use this appliance only if they are supervised or have been given instructions on safe use and understand the hazards involved.
- This appliance is intended to be used in household and similar applications such as: staff kitchen areas in shops, offices and other working environments; farm houses; by clients in hotels, motels, bed & breakfast and other residential environments; catering and similar non-retail applications.
- Do not apply harsh cleaners to the refrigerator. Certain cleaners will damage plastic which may cause parts such as the door or door handles to detach unexpectedly. See the Care and Cleaning section in your Owner's Manual for detailed instructions.

**⚠ CAUTION** To reduce the risk of injury when using your refrigerator, follow these basic safety precautions.

- Do not clean glass shelves or covers with warm water when they are cold. Glass shelves and covers may break if exposed to sudden temperature changes or impact, such as bumping or dropping. Tempered glass is designed to shatter into many small pieces if it breaks.
- Keep fingers out of the "pinch point" areas; clearances between the doors and between the doors and cabinet are necessarily small. Be careful closing doors when children are in the area.
- Do not touch the cold surfaces in the freezer compartment when hands are damp or wet, skin may stick to these extremely cold surfaces.
- Do not refreeze frozen foods which have thawed completely.
- In refrigerators with automatic ice makers, avoid contact with the moving parts of the ejector mechanism, or with the heating element that releases the cubes. Do not place fingers or hands on the automatic ice making mechanism while the refrigerator is plugged in.

**⚠ WARNING**  **EXPLOSION HAZARD Flammable Refrigerant**

**This appliance contains isobutane refrigerant, R600a, a natural gas with high environmental compatibility. However, it is also combustible. Adhere to the warnings below to reduce the risk of injury or property damage.**

1. When handling, installing and operating the appliance, care should be taken to avoid damage to the refrigerant tubing.
2. Service shall only be performed by authorized service personnel. Use only manufacturer-authorized service parts.
3. Dispose of refrigerator in accordance with Federal and Local Regulations. Flammable refrigerant and insulation material used require special disposal procedures. Contact your local authorities for the environmentally safe disposal of your refrigerator.
4. Keep ventilation openings in the appliance enclosures or in the built-in structure clear of obstruction.
5. Do not use mechanical devices or other means to accelerate the defrosting process.
6. Do not damage refrigerant circuit.
7. Do not use electrical appliances inside the food storage compartment of the appliance.

# REFRIGERATOR SAFETY

## CONNECTING ELECTRICITY

### **⚠ WARNING** **ELECTRICAL SHOCK HAZARD**

Plug into a grounded 3-prong outlet  
Do not remove the ground prong  
Do not use an adapter

Do not use an extension cord.  
Failure to follow these instructions can result in death,  
fire, or electrical shock.

**Do not, under any circumstances, cut or remove the third (ground) prong from the power cord. For personal safety, this appliance must be properly grounded.**

The power cord of this appliance is equipped with a 3-prong (grounding) plug which mates with a standard 3-prong (grounding) wall outlet to minimize the possibility of electric shock hazard from this appliance.

Have the wall outlet and circuit checked by a qualified electrician to make sure the outlet is properly grounded.

Where a standard 2-prong wall outlet is encountered, it is your personal responsibility and obligation to have it replaced with a properly grounded 3-prong wall outlet. Do not use an adapter.

The refrigerator should always be plugged into its own individual electrical outlet which has a voltage rating that matches the rating plate.

A 115 Volt AC, 60 Hz, 15- or 20-amp fused, grounded electrical supply is required. This provides the best performance and also prevents overloading house wiring circuits which could cause a fire hazard from overheated wires.

Never unplug your refrigerator by pulling on the power cord. Always grip plug firmly and pull straight out from the outlet.

Immediately discontinue use of a damaged supply cord. If the supply cord is damaged, it must be replaced by a qualified service professional with an authorized service part from the manufacturer.

When moving the refrigerator away from the wall, be careful not to roll over or damage the power cord.

## PROPER DISPOSAL OF YOUR OLD REFRIGERATOR

### **⚠ WARNING** **SUFFOCATION AND ENTRAPMENT HAZARD**

Failure to follow these disposal instructions can result in death or serious injury

**IMPORTANT:** Child entrapment and suffocation are not problems of the past. Junked or abandoned refrigerators are still dangerous even if they will sit for "just a few days." If you are getting rid of your old refrigerator, please follow the instructions below to help prevent accidents.

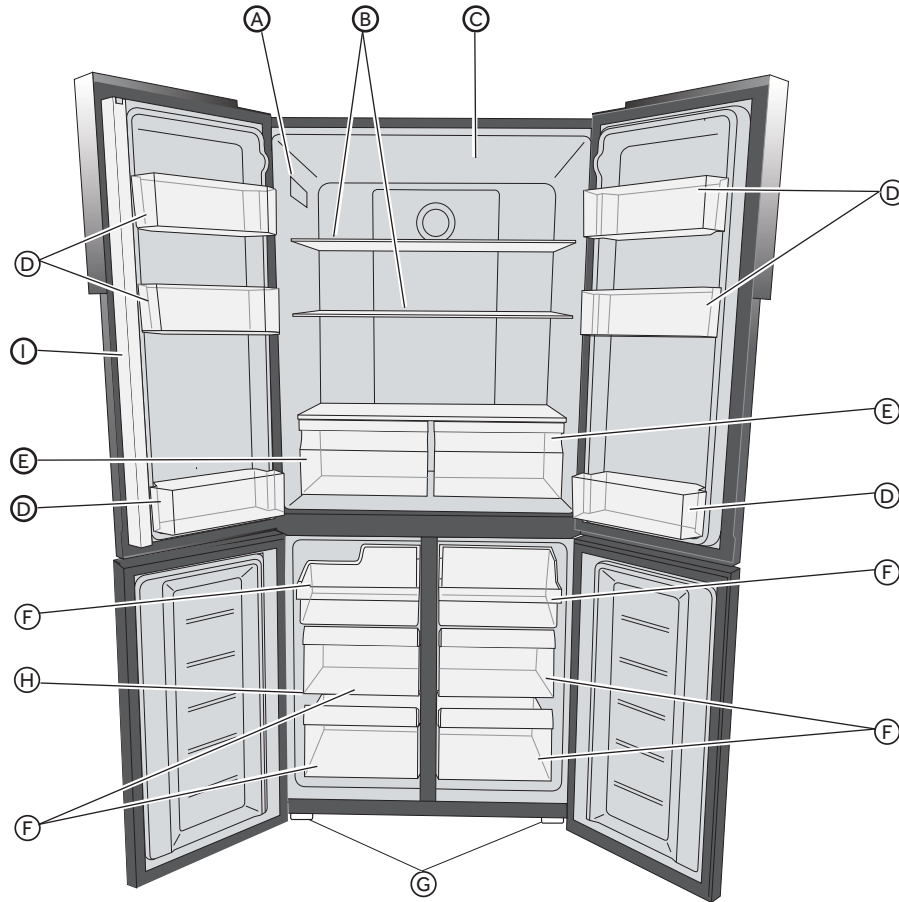
#### **Before You Throw Away Your Old Appliance**

- Take off the Refrigerator and Freezer doors.
- Leave the shelves in place so that children may not easily climb inside.

#### **Refrigerant and Foam Disposal:**

Dispose of appliance in accordance with Federal and Local Regulations. Flammable refrigerant and insulation material used require special disposal procedures. Contact your local authorities for the environmentally safe disposal of your appliance.

# PARTS AND FEATURES



- Ⓐ Model/Serial Number Plate
- Ⓑ Glass Shelves
- Ⓒ Light
- Ⓓ Door Bin
- Ⓔ Vegetable/Crisper Drawer

- Ⓕ Freezer Drawer (6)
- Ⓖ Leveling Legs
- Ⓗ Freezer Shelf
- Ⓘ Articulating Mullion

# INSTALLATION REQUIREMENTS

## BEFORE YOU BEGIN

Read these instructions completely and carefully.

- **IMPORTANT** – Save these instructions for local inspector's use.
- **IMPORTANT** – Observe all governing codes and ordinances.
- **Note to Installer** – Be sure to leave these instructions with the Consumer.
- **Note to Consumer** – Keep these instructions for future reference.
- **Skill level** – Installation of this appliance requires basic mechanical skills.
- **Completion time**—Refrigerator Installation  
15 minutes
- Proper installation is the responsibility of the installer.
- Product failure due to improper installation is not covered under the Warranty.

## LOCATION REQUIREMENTS

### ⚠ WARNING



#### Explosion and Fire Hazard

**Keep flammable materials and vapors, such as gasoline, away from appliance.**

**Failure to do so can result in death, explosion or fire.**

**IMPORTANT:** This refrigerator is designed for freestanding installation only. It should not be recessed or built-in an enclosed cabinet. To ensure your refrigerator works at optimum efficiency, you should install it in a location where there is proper air circulation, and electrical connections.

### LOCATION REQUIREMENTS

- Do not install the refrigerator where the temperature will go below 55°F (13°C) because it will not run often enough to maintain proper temperatures.
- Do not install the refrigerator where the temperature will go above 110°F (43°C) because it will not perform properly.
- Install it on a floor strong enough to support it fully loaded.
- Do not install the refrigerator in a location exposed to water (rain, etc.) or direct sunlight.

# INSTALLATION INSTRUCTIONS

## UNPACKING REFRIGERATOR

### ⚠ WARNING



#### Explosion and Fire Hazard

**Do not puncture refrigerant tubing.**

**Follow handling instructions carefully.**

**Flammable refrigerant used.**

**Failure to do so can result in death, explosion or fire.**

**IMPORTANT:** Handle with care when moving refrigerator to avoid either damaging the refrigerant tubing or increasing the risk of a leak.

**IMPORTANT:** When moving the refrigerator, never tilt it more than a 45° angle. This could damage the compressor and the sealed system. If the refrigerator has been placed in a horizontal position for any period of time, wait 24 hours before plugging in the refrigerator to allow the refrigerant to settle.

1. Remove all packaging material. This includes the corrugated base and all adhesive tape holding the refrigerator accessories inside and outside.
2. Inspect and remove any remains of packing, tape or printed materials before powering on the refrigerator.
3. If your refrigerator comes with smooth or stainless steel doors, please remove the clear film before turning it on for the first time. When removing the film, do not pull the film straight down as this could result in misaligned doors.
4. It is normal for the freezer door to be positioned slightly higher than the top of the cabinet when the refrigerator is first installed. This positioning is done at the factory to ensure a proper gasket seal once the door is weighted with food items.

## LEVELING REFRIGERATOR

- Your refrigerator has two leveling legs that are located in the front bottom corners of your refrigerator. After properly placing your refrigerator under its final position, you can level your refrigerator.
- Leveling legs can be adjusted by turning them clockwise to raise your refrigerator or by turning them counterclockwise to lower your refrigerator. The refrigerator door will close easier when the leveling legs are extended.



## PROPER AIR CIRCULATION

- To ensure your refrigerator works at the maximum efficiency it was designed for, you should install it in a location where there is proper air circulation, plumbing and electrical connections. Your refrigerator is not designed to operate in temperatures below 55°F (13°C) or above 110°F (43°C).
- Do not install your refrigerator in any location not properly insulated or heated, e.g. garage, etc. Keep out of direct sunlight and away from heating sources such as radiators, heaters, and cooking appliances.
- The following are recommended clearances around the refrigerator:

Sides.....0" (0 mm)      Top.....1" (25 mm)  
Back.....2" (50mm)



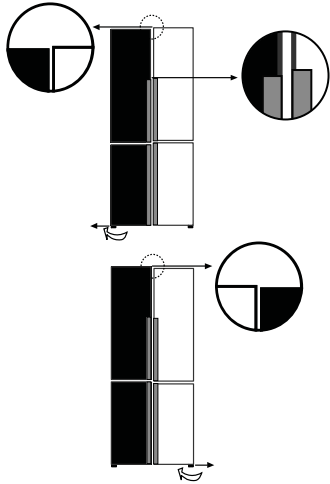
# INSTALLATION INSTRUCTIONS

## DOOR ALIGNMENT (If needed)

If the edges of the refrigerator doors do not align with each other, you can make adjustments:

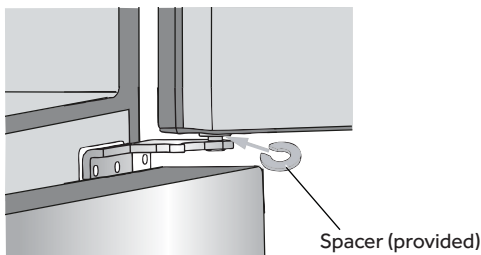
### Using Adjustable Foot

- Turn the adjustable foot to raise or lower that side of the refrigerator.
- Clockwise - to raise
- Counterclockwise - to lower



### Using Spacers (provided)

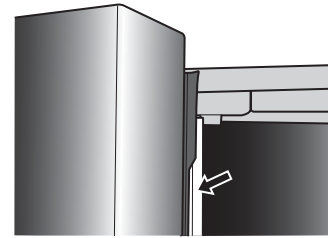
- Open the door. With the door open, lift the door upward.
- By hand or using pliers, clip the spacer (provided) onto the center hinge pin.



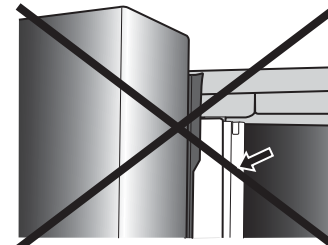
## OPENING AND CLOSING DOORS

There are two refrigerator compartment doors. The doors can be opened and closed either separately or together.

- There is an articulating mullion on the left-hand refrigerator door.
- When closing the left-hand refrigerator door, the mullion folds behind the right-hand door joining the two refrigerator doors.
- There is a heating element inside the frame that helps prevent moisture from developing on the mullion. The temperature of the surface may be warm, which is normal, and will not affect the performance of the refrigerator.

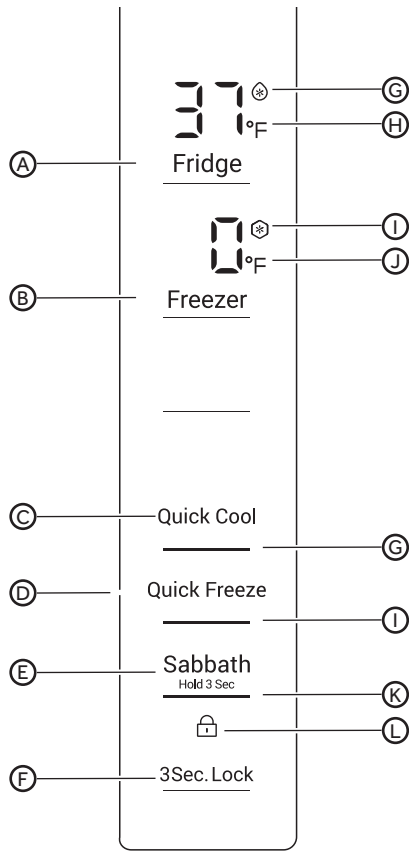


**NOTE:** Before closing the left-hand door, make sure the articulating mullion is folded inward. If the mullion is pulled outward it may become damaged when you try to close the door.



# REFRIGERATOR USE

## CONTROLS



- Ⓐ Refrigerator Temperature Control Button
- Ⓑ Freezer Temperature Control Button
- Ⓒ Quick Cool Button
- Ⓓ Quick Freeze Button
- Ⓔ Sabbath Button
- Ⓕ Lock Button
- Ⓖ Quick Cool Indicator
- Ⓗ Refrigerator Temperature Displayed in °F Indicator
- Ⓘ Quick Freeze Indicator
- Ⓝ Freezer Temperature Displayed in °F Indicator
- Ⓚ Sabbath Mode Indicator
- Ⓛ Lock Indicator

## TOUCH PADS

The controls are touch pads, which respond when lightly touched.

## CONTROL PANEL LOCK

The control panel is automatically locked after 30 seconds of nonuse. To change any settings the control panel must be unlocked.

### To Unlock the Control Panel:

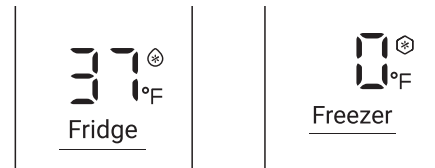
Press and hold **LOCK** for 3 seconds. The Lock indicator will turn OFF.



### To Lock the Control Panel:

Press and hold **LOCK** for 3 seconds. The Lock indicator will turn on.

## TEMPERATURE DISPLAY



When no buttons or doors are operated for 30 seconds, all the LEDs on display panel turn off.

When a button is pressed or a door opened, the LEDs on display panel illuminate.

## UNITS SELECT

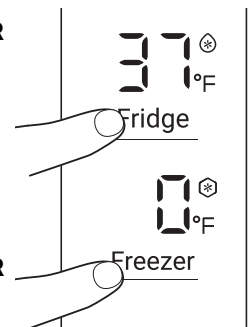
The Units Select feature allows you to choose between displaying the set temperature in either degrees Fahrenheit (°F) or degrees Celsius (°C).

The default temperature unit is degrees Fahrenheit.

1. If locked, unlock the control panel by pressing and holding **LOCK** for 3 seconds.

2. Press and hold **FRIDGE** and **FREEZER** at the same time for 3 seconds. °C will appear next to the temperature display to indicate that the unit has been changed to degrees Celsius.

3. To return to displaying the set temperature in degrees Fahrenheit, press and hold **FRIDGE** and **FREEZER** at the same time for 3 seconds. The °C will disappear from the Temperature display.



# REFRIGERATOR USE

## CONTROLS (Cont.)

### TEMPERATURE CONTROLS

The temperature range for the refrigerator compartment is 34°F to 42°F (1°C to 6°C). The temperature range for the freezer compartment is -6°F to 6°F (-21°C to -14°C).

The refrigerator compartment is preset to the recommended temperature of 37°F (3°C) and the freezer compartment is preset to the recommended temperature of 0°F (-18°C). When the refrigerator is first plugged in, the display will show the recommended temperature settings.

#### IMPORTANT:

- The recommended setting should be correct for normal household refrigerator use.
- When the refrigerator is first turned on, it may take up to 12 hours to cool to the preset temperatures. Wait 24 hours for your refrigerator to cool completely before adding food. If you add food before the refrigerator has cooled completely, your food may spoil.
- If the temperature is too warm or too cold in the refrigerator or freezer, first check the air vents to be sure they are not blocked before adjusting the controls.

#### Adjusting Controls

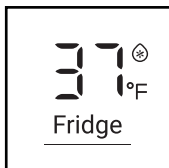
Except when first turning on the refrigerator, do not adjust either temperature more than one degree at a time. Wait 24 hours between adjustments for the temperature to stabilize.

**NOTE:** The temperature cannot be adjusted if any other control function such as Quick Freeze, Quick Cool or Sabbath Mode is activated, or the Control Panel is locked. The corresponding indicator will illuminate and a tone will sound.

#### To Adjust the Refrigerator Temperature:

1. If locked, unlock the control panel by pressing and holding **LOCK** for 3 seconds.
2. Press Fridge to adjust the temperature.

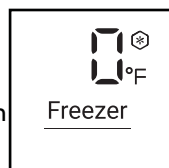
**NOTE:** The temperature decreases by one degree and a tone sounds with each press of the button.  
After 5 seconds have passed with no button being pressed the temperature setting confirms automatically.



#### To Adjust the Freezer Temperature:

1. If locked, unlock the control panel by pressing and holding **LOCK** for 3 seconds.
2. Press the Freezer button to adjust the temperature.

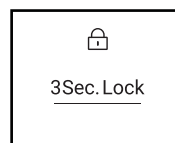
**NOTE:** The temperature decreases by one degree and a tone sounds with each press of the button.  
After 5 seconds have passed with no button being pressed the temperature setting confirms automatically.



### QUICK COOL

The Quick Cool feature accelerates the cooling of fresh food and protects the foods already stored from undesirable warming.

1. If locked, unlock the control panel by pressing and holding **LOCK** for 3 seconds.



2. Press the **Quick Cool** button. The Quick Cool indicators will illuminate.
3. Repeat steps 1 and 2 to manually turn off the Quick Cool feature.

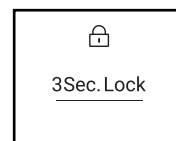


**NOTE:** Quick Cool will automatically turn off after 3 hours.

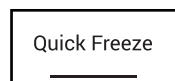
### QUICK FREEZE

The Quick Freeze function accelerates the freezing of fresh food and protects frozen food from undesirable warming. If you need to freeze a large amount of food, it is recommended to select the Quick Freeze feature a few hours in advance.

1. If locked, unlock the control panel by pressing and holding **LOCK** for 3 seconds.



2. Press the **Quick Freeze** button. The Quick Freeze indicators will illuminate.
3. Repeat steps 1 and 2 to manually turn off the Quick Freeze feature.



**NOTE:** Quick Freeze will automatically turn off after 50 hours.

# REFRIGERATOR USE

## CONTROLS (Cont.)

### SABBATH

The Sabbath function is designed for those whose religious observances require turning off the lights. All interior lights and alarms will be disabled.

1. If locked, unlock the control panel by pressing and holding **LOCK** for 3 seconds.
2. Press and hold **SABBATH** for 3 seconds until the Sabbath indicator illuminates.

Sabbath  
Hold 3 Sec

#### NOTES:

- All alert tones and lights are deactivated.
  - If Quick Cool and/or Quick Freeze was on, Sabbath mode turns off these features automatically.
  - The Control Panel will remain unlocked while in Sabbath mode.
3. To deselect Sabbath mode, press and hold **SABBATH** for 3 seconds.

### DOOR ALARM

When the refrigerator door is open for more than 3 minutes, the Door Open alarm will sound. The alarm can be silenced by closing the door. If the door is left open for longer than 7 minutes, the light inside the refrigerator will automatically switch off.

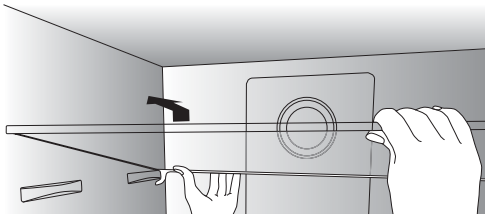
## FEATURES

### REFRIGERATOR

#### ADJUSTABLE SHELVES

The height of the shelves can be adjusted to fit your storage needs.

1. To remove a shelf, lift up on both the front and back edge to disengage the shelf hooks from the shelf supports along the refrigerator wall and pull it out.

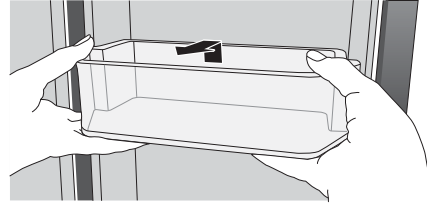


2. To reinstall a shelf, rest the shelf on both the front and rear supports. Push the shelf toward the rear of the refrigerator until the back of the shelf hooks around the rear shelf supports.

### REMOVABLE DOOR BINS

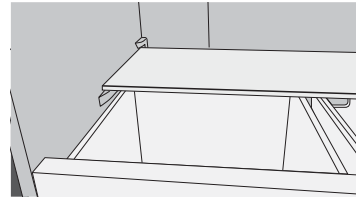
#### To Remove and Replace a Door Bin:

1. Place hands on both sides of the bin and lift upward.
2. Pull the door bin out.
3. Replace the door bin by inserting it above the support and pressing down to snap into place.



### CRISPER DRAWERS

These drawers can be used for storing vegetables and fruit. To remove, pull the drawer straight out.



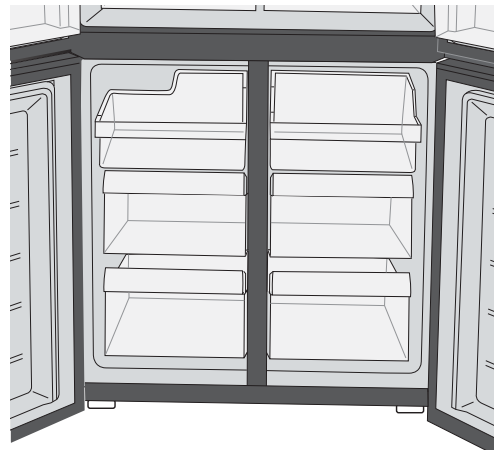
## FREEZER

There are 6 drawers in the freezer compartment. The top and middle drawers can be removed to turn the bottom drawer cover into a shelf to store tall items.

If installing an ice maker into this unit, the top left drawer is used as an ice storage bin.

#### To Remove/Replace Freezer Drawer:

1. Pull out drawer to maximum extension.
2. Lift up to remove the drawer.
3. Reverse steps 1 and 2 to replace the drawer.



# REFRIGERATOR USE

## CLEANING

Both the refrigerator and freezer sections defrost automatically. However, clean both sections about once a month to avoid buildup of odors. Wipe up spills immediately.

Because air circulates between both sections, any odors formed in one section will transfer to the other. You must thoroughly clean both sections to eliminate odors. To avoid odor transfer and drying out of food, wrap or cover foods tightly.

### IMPORTANT:

- Do not use harsh chemicals, ammonia, chlorine bleach, concentrated detergent, solvents, abrasives or metal scouring pads to clean your product inside or out. They can damage and/or discolor the refrigerator finish.

### ⚠ CAUTION

Do not clean glass shelves or covers with warm water when they are cold. Shelves and covers may break if exposed to sudden temperature changes or impact, such as bumping. Tempered glass is designed to shatter into many small, pebble-size pieces. This is normal. Glass shelves and covers are heavy. Use both hands when removing them to avoid dropping.

### ⚠ WARNING



#### Electrical Shock Hazard

Unplug your appliance or disconnect power before cleaning. Failure to do so can result in death, electric shock or personal injury.

- Unplug refrigerator or disconnect power.
- Using a clean sponge or soft cloth and a mild detergent dissolved in warm water, wash removable parts and the interior surfaces. Rinse well and dry thoroughly.
- Clean the exterior surfaces.

**Painted metal:** Wash painted metal exteriors with a clean, soft cloth or sponge and a mild detergent in warm water. Rinse surfaces with clean, warm water and dry immediately to avoid water spots.

**Stainless steel:** Stainless steel is corrosion resistant and not corrosion-proof. To help avoid corrosion of your stainless steel, wash stainless steel surfaces with a clean, soft cloth or sponge and a mild detergent in warm water. Rinse surfaces with clean, warm water and dry immediately to avoid water spots.

**NOTE:** When cleaning stainless steel, always wipe in the direction of the grain to avoid cross-grain scratching.

- Clean the door seals every 3 months. Wash the joints with a clean sponge or soft cloth and a mild detergent diluted in lukewarm water. Rinse thoroughly and dry well. Applying a little petroleum jelly to the joints on the hinge side will maintain the flexibility of the joint and ensure a good seal.

**NOTE:** The cleanliness of the gaskets will ensure a better seal.

- Plug in the refrigerator or reconnect the power source.

## LIGHTS

The interior lights of the refrigerator turn off when the doors are open for more than 7 minutes.

**IMPORTANT:** Your refrigerator is equipped with LED lighting. These lights are designed to last for the life of your refrigerator. However, if the lights stop operating, please contact a qualified technician for replacement.

## VACATION AND MOVING

### VACATION

#### If You Choose to Leave the Refrigerator On While You're Away:

- Use up any perishables and freeze other items.

#### If You Choose to Turn Off the Refrigerator Before You Leave:

- Remove all food from the refrigerator and freezer.
- Unplug refrigerator or disconnect power.
- Clean refrigerator, wipe it, and dry well.
- Tape rubber or wood blocks to the tops of both doors to prop them open far enough for air to get in. This stops odor and mold from building up.

# REFRIGERATOR CARE

## VACATION AND MOVING (Cont.)

### MOVING

**IMPORTANT:** Handle with care when moving refrigerator to avoid either damaging the refrigerant tubing or increasing the risk of a leak.

#### **⚠ WARNING**

##### **Excessive Weight Hazard**

**Use two or more people to move and install refrigerator.**

**Failure to do so can result in back or other injury.**

When you are moving your refrigerator to a new home, follow these steps to prepare it for the move.

1. Remove all food from the refrigerator and pack all frozen food in dry ice.
2. Unplug refrigerator.
3. Clean, wipe, and dry thoroughly.
4. Take out all removable parts, wrap them well, and tape them together so they don't shift and rattle during the move.
5. Raise the leveling legs so they don't scrape the floor. See "Leveling."
6. Tape the doors closed and tape the power cord to the back of the refrigerator. When you get to your new home, put everything back and refer to the "Installation Instructions" section for preparation instructions.

## REINSTALLING/USING REFRIGERATOR AGAIN

If the refrigerator has been placed in a horizontal or tilted position for any period of time wait 2 to 5 hours before plugging it in to allow the oil to settle into the compressor.

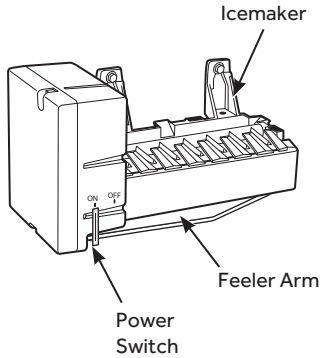
1. Clean refrigerator. See "Cleaning."
2. Place refrigerator in desired location and level. See "Installation Instructions."
3. Plug into a grounded 3 prong outlet.

# ACCESSORY

## ICEMAKER ACCESSORY INSTALLATION INSTRUCTIONS

### Icemaker Accessory Kit IM4D:

An IM4D icemaker accessory kit is available at extra cost. To order, call GE Appliances at 800.GECARES (800.432.2737) or visit GEAppliances.com. In Canada, visit GEAppliances.ca or call 800.561.3344.



### Damage – Shipment/Installation

- If the unit is damaged in shipment, return the unit to the store in which it was bought for repair or replacement.
- If the unit is damaged by the customer, repair or replacement is the responsibility of the customer.
- If the unit is damaged by the installer (if other than the customer), repair or replacement must be made by arrangement between customer and installer.

### BEFORE YOU BEGIN

Read these instructions completely and carefully.

- **IMPORTANT** – Save these instructions for local inspector's use.
- **IMPORTANT** – Observe all governing codes and ordinances.
- **Note to Installer** – Be sure to leave these instructions with the Consumer.
- **Note to Consumer** – Keep these instructions for future reference.
- **Skill level** – Installation of this appliance requires basic mechanical skills.
- **Completion time** – 20–60 minutes
- Proper installation is the responsibility of the installer.
- Product failure due to improper installation is not covered under the Warranty.

### ITEMS NEEDED FROM IM4D KIT

- 
- 
- 
- 
- 
- 
- 
- 1 Icemaker
  - 2 Installation Instructions
  - 3 Water Valve and Tube Assembly
  - 5 Hex-Head Screw for Water Line Clamp (3/4")\*
  - 6 Water Line Clamp (strain relief), for house water line
  - 7 Warranty Label
  - 10 Phillips Head Screws, for mounting icemaker (2) (7/8")\*
  - 13 Icemaker Fill Cup (side-mounted)

### ⚠ WARNING

Connect to potable water supply only.  
A cold water supply is required for automatic icemaker operation. The water pressure must be between 40 and 120 psi (275-827 kilopascals)

# ACCESSORY

## BEFORE YOU BEGIN

Read these instructions completely and carefully.

### **⚠ WARNING** **ELECTRICAL**

**SHOCK HAZARD** To eliminate the risk of electric shock or injury during installation, you must first unplug the refrigerator before proceeding.



## YOU WILL NEED



Flat blade and Phillips screwdrivers



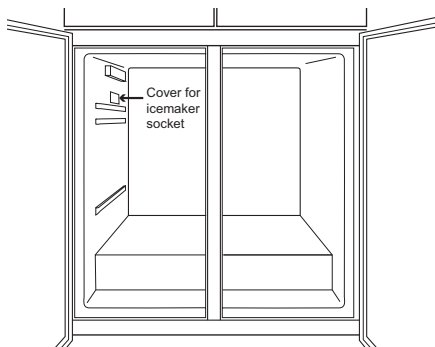
Pliers



Sharp knife

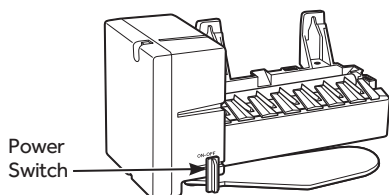
## PREPARE THE REFRIGERATOR

Inside of the freezer, remove the cover for the icemaker power supply socket.



## SET POWER SWITCH TO OFF

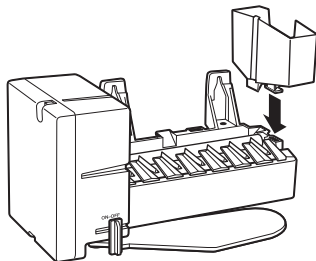
Set the icemaker power switch to **OFF**.



(Appearance may vary)

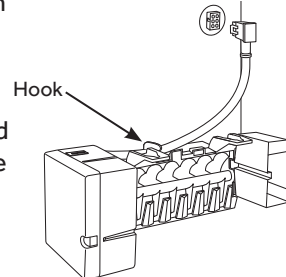
## INSTALL THE ICEMAKER FILL CUP

Install the **icemaker fill cup** (13) into the icemaker as shown.



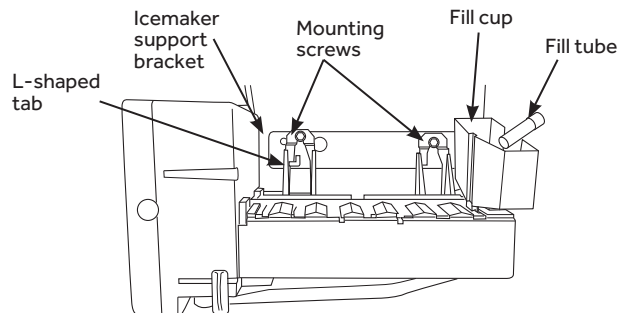
## PLUG IN THE ICEMAKER

Plug the icemaker power cord into the socket making sure the prongs and holes are matched. Press the plug firmly into the socket. Lock the plug in place by clipping the restraints into each side of the plug. Make sure the restraints click into place. Make sure the power cord is still in the hook on back of the icemaker.



## MOUNT THE ICEMAKER

- For easy installation, remove the top and middle left freezer drawer
- Drive both mounting screws halfway into screw holes on the support bracket of the left side upper wall in the freezer. Lift the icemaker so the fill tube assembly fits in the fill cup opening. Hang the icemaker on the screws and on the L-shaped tab in front of the supporting bracket.



### Make sure:

- The **power cord** is still firmly in the socket.
- The **fill tube assembly** extends into the fill cup opening at the back of the icemaker.
- The icemaker mounting screws should be located in the uppermost position of the mounting slots on the icemaker bracket.
- The icemaker is level.
- The icemaker power switch is in the **OFF** position.

**SECURELY TIGHTEN THE ICEMAKER MOUNTING SCREWS.**



## ACCESSORY

### ATTACH WARRANTY LABEL

A **label** is provided with this kit to record the date of installation for warranty purposes. Apply it to the back of the refrigerator.

### KEEP THE MANUAL

**The warranty for the icemaker is printed in the manual that came with your icemaker kit. Keep this manual with your Refrigerator Owner's Manual.**

The icemaker installation inside the freezer is now complete. Continue to the **Water Valve Assembly** section.

### ⚠ CAUTION

Do not place fingers or hands in the automatic icemaking mechanism while the refrigerator is plugged in. This will help protect you from possible injury.

It will also prevent interference with moving parts of the ejector mechanism and the heating element that releases the cubes, located on the bottom of the icemaker.

## WATER VALVE ASSEMBLY

### ⚠ WARNING

To reduce the risk of death or electric shock, you must follow these instructions:

- **Unplug the refrigerator before removing any panels.**
- **Do not damage any wiring while the panel is removed.**
- **Replace all parts and panels before plugging the refrigerator back in.**

### ⚠ WARNING

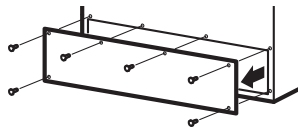


#### ELECTRIC SHOCK HAZARD

Attach tubing clamp using existing hole only. **DO NOT** drill into the refrigerator.

### REMOVE THE COVER

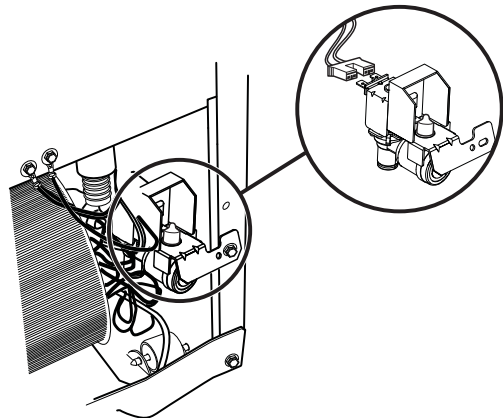
Remove the access cover. This requires removing screws which attach the cover to the back of the refrigerator case.



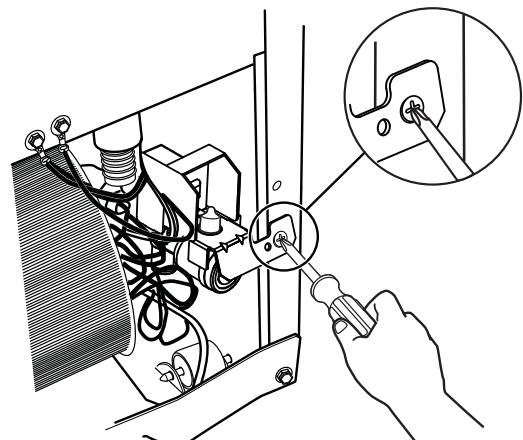
Be sure to save the screws as the access cover must be reinstalled later to ensure your refrigerator will function properly.

### ATTACH THE WATER VALVE

- Connect water tube pre-installed in the machine compartment to water valve. Do not use the water tube that came with the water valve. To remove the water tube from the water valve, push the white washer towards the water valve and pull out the water tube.
- Pull out the black water tube from right side of machine compartment. Remove the tape from the end. Insert the water tube to the water valve all the way to the mark 0.5" from the end. Loop and tuck the rest of tube back to compartment.
- Locate the female connector plug. Plug the **female connector** onto the **male terminals** on the **water valve**. Either wire can go on either terminal.



- Fasten the water valve to the cabinet by driving the water valve mounting screw (Phillips flat head screw included with this manual in the accessory bag) into the hole in the cabinet leg.

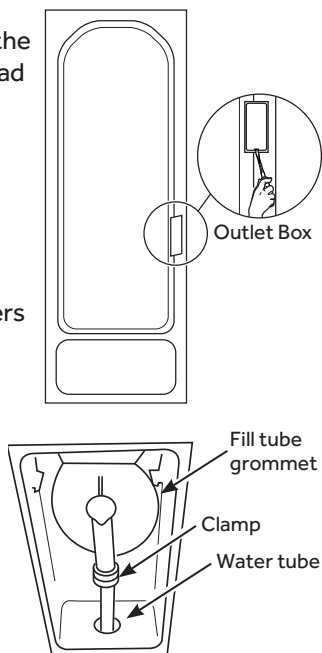


# ACCESSORY

## WATER VALVE ASSEMBLY (CONT)

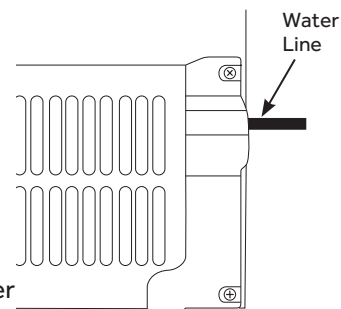
### ATTACH THE WATER VALVE (Cont.)

- Open the outlet box cover, located on the right side of the back of the unit, with flat head screw driver.
- Check the water line connection. Make sure the water tube is fully inserted into the grommet. If not, loosen the hose clamp by squeezing the ends with pliers and insert the tube as far as it can go. Then release the clamp ends and make sure that the clamp captures the water tube. Otherwise, water may leak from this connection.
- Check the rear of the refrigerator to make sure the fill tube has not been pushed out of the back of the refrigerator.



### REINSTALL THE COVER

Reinstall the access cover. This requires using the screws you removed previously to reattach the cover to the back of the refrigerator case. This must be reinstalled for your refrigerator to function properly. The water line should come out at the water tube relief slot at the right side of the access cover.



### WATER LINE CONNECTED

Refer to the Water Line Installation Instructions for connection to the home water supply in the installation instructions that came with your icemaker.

After water line installation is completed, set the **icemaker power switch** to **ON**.

**The icemaking cycle will not begin until the icemaker and freezer compartment reach operating temperature, then icemaking will begin automatically.**

# TROUBLESHOOTING

First try the solutions suggested here to possibly avoid the cost of a service call.

## REFRIGERATOR IS NOT OPERATING

PROBLEM	POSSIBLE CAUSE(S)	SOLUTION
<b>Refrigerator does not run.</b>	Refrigerator is unplugged.	Plug into a grounded 3 prong outlet.
	Breaker is tripped or turned off / Fuse is blown.	Reset / Turn on breaker or replace fuse.
	Refrigerator is in defrost mode.	Wait approximately 40 minutes for defrost cycle to end, and the cooling system to restart.
<b>Refrigerator compress or runs frequently or for long periods of time.</b> <b>NOTE: This refrigerator is designed to run for longer periods of time at a lower energy usage.</b>	Refrigerator is first plugged in.	Allow 12 hours for the refrigerator to cool down.
	Warm food or large amounts of food added.	This is normal.
	Door is left open, or refrigerator is not level.	Ensure that door is not being held open by an item. Level the refrigerator. See "Leveling Refrigerator."
	Hot weather or frequent openings	This is normal.
	Temperature control set to coldest setting.	Adjust temperature to a warmer setting.
<b>Refrigerator has an odor.</b>	Food is not sealed or packaged properly.	Reseal packaging. Place an opened box of baking soda in the refrigerator, replace every 3 months.
	Interior needs to be cleaned.	Clean the interior. See "Cleaning."
	Food stored too long.	Dispose of spoiled food.
<b>Light does not come on.</b>	Refrigerator is unplugged.	Plug into a grounded 3 prong outlet.
	LED light is burned out.	Contact a qualified technician to replace the burned out LED.
	Sabbath Mode is activated.	Lights are disabled in Sabbath mode. To turn on lights you must turn off Sabbath Mode. See "Sabbath Mode" for instructions.
<b>Doors do not close properly.</b>	Refrigerator is not level.	See "Leveling."
	Something is obstructing door closure.	Check for and remove obstructions.
<b>Vibration or rattling</b>	Refrigerator is not resting firmly on floor.	See "Leveling."
<b>Normal Sounds</b>	It sounds like water is flowing from the refrigerator.	Refrigerant flowing in the lines will make this sound when the compressor starts and stops.
		The refrigerator has an automatic defrosting system. The defrosted water will make this sound.
	Humming or buzzing sounds	The compressor and fans for cold air circulation can make this sound. If the refrigerator is not level, the sound will be louder.
	Cracking or clicking sounds	The interior parts will make this sound as they contract and expand in response to temperature changes.

# TROUBLESHOOTING

## TEMPERATURE AND MOISTURE

PROBLEM	POSSIBLE CAUSE(S)	SOLUTION
<b>Refrigerator or freezer is too warm.</b>	Temperature control is not set low enough.	Adjust the compartment to a colder setting; allow 12 hours for the temperature to adjust.
	Door opened frequently or left ajar.	Limit door openings to maintain the internal temperature. / Check that an item is not preventing door from closing.
	Warm food added recently.	Allow time for food and refrigerator to cool.
	The space between the back of the refrigerator and the wall is too close.	Allow 2" (5 cm) space between the back of the refrigerator and the wall.
	Items against rear interior wall are blocking airflow.	Store items only inside the trim of the glass shelves; don't place items against sides of the compartments or directly in front of any vents.
<b>Refrigerator or freezer is too cold.</b>	Temperature control is set too low.	Adjust temperature in the compartment to the next warmer setting; allow 24 hours to adjust.
<b>Moisture on exterior/ interior of refrigerator</b>	High humidity	This is normal during times of high humidity. Dry surface and adjust temperature to slightly colder setting.
	Door opened frequently or left ajar.	Keep door closed. Check that a package is not preventing door from closing. Level the refrigerator. See "Leveling."
	Open container of liquid in refrigerator	Cover or seal container.
<b>Frost or ice crystals on frozen food</b>	Freezer door left open or opened frequently, or the refrigerator is not level.	Limit door openings to maintain the internal temperature. / Check that an item is not preventing door from closing. Level the refrigerator. See "Leveling."
	Items blocking freezer air vents are preventing proper air flow.	Move items away from rear wall.
<b>Food freezing in refrigerator</b>	Items placed too close to the air vents.	Move items away from back and top of the refrigerator.
	Temperature control set too cold.	Adjust the temperature to a less cold setting.

FOR MORE HELP, VISIT [HAIERAMERICA.COM](http://HAIERAMERICA.COM) OR CALL THE CONSUMER HELP LINE AT 1-877-337-3639.

# LIMITED WARRANTY

## 12 Months on Parts and Labor

For 12 months from the date of original retail purchase, GE Appliances will replace any part of the refrigerator that fails due to a defect in materials or workmanship. GE Appliances will choose, at its discretion, to replace or service the defective unit. Should GE Appliances decide to service the unit, GE Appliances will provide any part which fails due to a defect in materials or workmanship free of charge, along with any labor and related service costs to replace the defective part. During this period, should GE Appliances choose to replace the unit, it may do so by providing you with a certificate redeemable at a retailer for a replacement product.

Product must be accessible, without encumbrance and installed properly to receive warranty repair service.

**NOTE:** This warranty commences on the date the item was purchased, and the original purchase receipt must be presented to the authorized service representative before warranty repairs are rendered.

### FOR WARRANTY SERVICE

**For US Customers,** all warranty service must be provided by our Factory Service Centers, or an authorized Customer Care technician. To schedule service, visit [HaierAppliances.com](http://HaierAppliances.com). In Canada, visit [HaierAppliances.ca](http://HaierAppliances.ca).

Please have serial number and model number available when calling for service.

**EXCLUSION OF IMPLIED WARRANTIES - Your sole and exclusive remedy is product repair as provided in this Limited Warranty. Any implied warranties, including the implied warranties of merchantability or fitness for a particular purpose, are limited to one year or the shortest period allowed by law.**

**For US Customers:** This warranty is extended to the original purchaser and any succeeding owner for products purchased for home use within the USA. If the product is located in an area where service by a GE Appliances Authorized Servicer is not available, you may be responsible for a trip charge or you may be required to bring the product to an Authorized GE Appliances Service location for service. In Alaska, the warranty excludes the cost of shipping or service calls to your home.

Some states do not allow the exclusion or limitation of incidental or consequential damages. This warranty gives you specific legal rights, and you may also have other rights which vary from state to state. To know what your legal rights are, consult your local or state consumer affairs office or your state's Attorney General.

**Warrantor US:**  
**GE Appliances, a Haier company**  
**Louisville, KY 40225**

**For Customers in Canada:** This warranty is extended to the original purchaser and any succeeding owner for products purchased in Canada for home use within Canada. In-home warranty service will be provided in areas where it is available and deemed reasonable by Mabe to provide.

**Warrantor Canada:**  
**MC Commercial, Inc., Burlington, Ontario, L7R 5B6**

## What is not covered by this warranty:

Service trips to your home to teach you how to use the product.

Improper installation, delivery or maintenance.

Failure of the product if it is abused, misused, or used for other than the intended purpose or used commercially.

Loss of food due to spoilage.

Damage caused after delivery.

Replacement of house fuses or resetting of circuit breakers.

Replacement of the light bulbs.

Damage to the product caused by accident, fire, floods or acts of God.

Incidental or consequential damage caused by possible defects with this appliance.

Product not accessible to provide required service.

Associated costs when GE Appliances chooses to issue the consumer a certificate as a form of product replacement.

Damage to finish, such as surface rust, tarnish, or small blemishes not reported within 48 hours of delivery.

Products which are not defective, broken, or which are working as described in the owner's manual.

## RECORD KEEPING

Thank you for purchasing this Haier product. This user manual will help you get the best performance from your new refrigerator.

For future reference, record the model number, serial number, and the date of purchase. The model/serial number plate is located on the inside wall of the refrigerator.

Staple your proof of purchase to this manual to aid in obtaining warranty service if needed.

---

Model number

---

Serial number

---

Date of purchase

# TABLE DES MATIÈRES

<b>SÉCURITÉ DU RÉFRIGÉRATEUR</b> .....	<b>24</b>
Mise au rebut de votre ancien réfrigérateur .....	45
<b>PIÈCES ET CARACTÉRISTIQUES</b> .....	<b>26</b>
<b>EXIGENCES D'INSTALLATION</b> .....	<b>27</b>
Exigences d'emplacement .....	27
Branchements électriques .....	27
<b>INSTRUCTIONS D'INSTALLATION</b> .....	<b>28</b>
Déballage du réfrigérateur .....	28
Nivellement du réfrigérateur .....	28
Circulation d'air adéquate .....	28
Alignement de la porte .....	29
Ouverture et fermeture des portes .....	29
<b>UTILISATION DU RÉFRIGÉRATEUR</b> .....	<b>30</b>
Commandes .....	30
Caractéristiques .....	32
Congélateur .....	32
<b>ENTRETIEN DU RÉFRIGÉRATEUR</b> .....	<b>33</b>
Nettoyage .....	33
Éclairage .....	33
Vacances ou le déménagement .....	33
Réinstallation/réutilisation du réfrigérateur .....	34
<b>ACCESSOIRE</b> .....	<b>35</b>
Installation de la machine à glaçons .....	35
<b>DÉPANNAGE</b> .....	<b>39</b>
<b>GARANTIE LIMITÉE</b> .....	<b>41</b>
<b>DOCUMENTS À CONSERVER</b> .....	<b>42</b>

# SÉCURITÉ DU RÉFRIGÉRATEUR

## CONSIGNES DE SÉCURITÉ IMPORTANTES

**⚠ AVERTISSEMENT** Pour réduire le risque d'incendie, d'explosion, de choc électrique ou de blessures lorsque vous utilisez votre réfrigérateur, veuillez suivre ces consignes de sécurité :

- Ce réfrigérateur doit être correctement installé conformément aux Consignes d'Installation avant toute utilisation.
- Débranchez le réfrigérateur avant d'effectuer une réparation, de remplacer une ampoule ou de le nettoyer.  
REMARQUE : L'alimentation du réfrigérateur ne peut être déconnectée par aucune des fonctions sur le panneau de commande.  
REMARQUE : Les réparations doivent être effectuées par un professionnel qualifié.
- Remettez toutes les pièces et panneaux en place avant d'utiliser l'appareil.
- Ne pas utiliser de rallonge.
- Ne stockez pas ou n'utilisez pas d'essence ou d'autres vapeurs et liquides inflammables à proximité de cet appareil ou de tout autre appareil électroménager.
- N'entreposez pas dans cet électroménager des substances explosives telles que des bombes aérosols qui contiennent un gaz propulseur.
- Avant de jeter l'appareil ou de le rendre inutilisable, retirer la porte. Cela réduira la possibilité de danger pour les enfants.
- Afin de prévenir les accidents graves ou la mort, les enfants ne doivent pas se tenir ni jouer dans ou sur l'électroménager.
- Les enfants et les personnes dont les capacités sont réduites sur le plan physique, sensoriel ou mental, ou qui manquent d'expérience ou de connaissances, peuvent utiliser cet électroménager seulement si elles sont surveillées ou ont reçues des consignes de sécurité sur son usage et les risques y sont associés.
- Cet électroménager est conçu pour une utilisation domestique et applications similaires : salle du personnel dans une usine, un bureau ou d'autres lieux de travail; maison de ferme; clients dans un hôtel, un motel, un gîte touristique et d'autres lieux résidentiels; approvisionnement et applications similaires non reliées au commerce de détail.
- N'appliquez pas de nettoyant puissant sur le réfrigérateur. Certains nettoyants endommageront le plastique, ce qui fera en sorte que des pièces comme la porte ou les poignées de porte se détachent de façon inattendue. Consultez la section Soins et nettoyage de votre guide de l'utilisateur pour obtenir des renseignements détaillés.

**⚠ ATTENTION** Pour réduire le risque de blessures lorsque vous utilisez votre réfrigérateur, veuillez suivre ces consignes de sécurité.

- Ne nettoyez pas les clayettes ou les couvercles en verre avec de l'eau tiède quand ceux-ci sont froids. Les clayettes et couvercles en verre peuvent se casser s'ils sont exposés à des changements soudains de température ou si vous les cognez ou les faites tomber. Le verre trempé est conçu pour se briser en petits morceaux en cas de casse.
- Éloignez les doigts des parties du congélateur où l'on peut facilement se pincer : les espaces entre les portes, et entre les portes et les placards sont toujours étroits. Soyez prudent lorsque vous fermez les portes en présence d'enfants.
- Ne touchez pas les surfaces froides du congélateur lorsque vous avez les mains humides ou mouillées. La peau risque d'adhérer à ces surfaces extrêmement froides.
- Ne recongelez pas les aliments surgelés qui ont complètement dégelé.
- Dans les réfrigérateurs munis d'une machine à glaçons automatique, évitez le contact avec les pièces mobiles du mécanisme d'éjecteur ou avec les éléments chauffants qui libèrent les glaçons. Ne mettez pas les doigts ou les mains dans le mécanisme de fabrication de glaçons pendant que le réfrigérateur est branché.

## **⚠ WARNING** **RISQUE D'EXPLOSION Réfrigérant inflammable**

**Cet appareil contient du réfrigérant à l'isobutane, R600a, un gaz naturel ayant une haute compatibilité environnementale. Cependant, il est aussi très combustible. Conformez-vous aux avertissements ci-dessous pour réduire le risque de blessures ou de dommages matériels.**

1. Lorsque vous manipulez, installez et utilisez l'appareil, vous devez prendre soin d'éviter les dommages aux tubes de réfrigérant.
2. Le service doit être effectué uniquement par du personnel d'entretien autorisé. Utilisez uniquement des pièces de rechange autorisées par le fabricant.
3. Éliminez le réfrigérateur conformément aux règlements fédéraux et régionaux. Le réfrigérant inflammable et le matériau d'isolation utilisés nécessitent des procédures d'élimination particulières. Contactez vos autorités régionales pour savoir comment éliminer de façon sécuritaire votre réfrigérateur.
4. Maintenez les ouvertures de ventilation des enveloppes d'appareil ou de la structure, exemptes d'obstruction.
5. N'utilisez pas de dispositifs mécaniques ou d'autres moyens pour accélérer le processus de dégivrage.
6. N'endommagez pas le circuit de réfrigérant.
7. N'utilisez pas d'appareils électriques à l'intérieur du compartiment de stockage d'aliments de l'appareil.



# SÉCURITÉ DU RÉFRIGÉRATEUR

## CONNEXION DE L'ÉLECTRICITÉ

### ⚠ AVERTISSEMENT



### RISQUE DE DÉCHARGES ÉLECTRIQUES

Procédez au branchement dans une prise à trois broches mise à la terre  
N'enlevez pas la broche de mise à la terre  
N'utilisez pas d'adaptateur

N'utilisez pas de rallonge.  
La non-observation de ces instructions pourrait entraîner la mort, un incendie ou une décharge électrique.

**N'enlevez sous aucune circonstance la troisième broche (mise à la terre) du cordon d'alimentation. Pour des raisons de sécurité personnelle, cet appareil doit être correctement mis à la terre.**

Le cordon d'alimentation de cet appareil est équipé d'une fiche à trois broches (mise à la terre) qui correspond à une prise électrique murale standard pour recevoir trois broches (mise à la terre) afin de minimiser la possibilité de décharge électrique provoquée par cet appareil.

Faites vérifier la prise murale et le circuit par un électricien professionnel pour vous assurer que la prise est correctement mise à la terre.

Si la prise murale est destinée à une fiche à deux broches standard, vous avez la responsabilité et l'obligation de la faire remplacer par une prise murale à trois broches correctement mise à la terre. N'utilisez pas d'adaptateur.

Le réfrigérateur doit toujours être branché dans sa propre prise électrique disposant d'une tension nominale correspondant à la plaque signalétique.

Une alimentation électrique mise à la terre de 115 VCA, 60 Hz avec fusible de 15 ou 20 A est requise. Ceci offre la meilleure performance et évite aussi la surcharge des circuits de câblage de la maison qui pourrait provoquer un danger d'incendie en raison de la surchauffe des fils.

Ne débranchez jamais votre réfrigérateur en tirant sur le cordon d'alimentation. Empoignez toujours fermement la fiche et tirez-la en ligne droite hors de la prise.

Cessez immédiatement d'utiliser tout cordon d'alimentation endommagé. Si le cordon d'alimentation est endommagé, il doit être remplacé par un professionnel de l'entretien qualifié avec une pièce de rechange autorisée par le fabricant.

Lorsque vous éloignez le réfrigérateur du mur, prenez soin de ne pas rouler sur le cordon ou de l'endommager.

## MISE AU REBUT APPROPRIÉE DE VOTRE ANCIEN APPAREILS ÉLECTROMÉNAGERS

### ⚠ AVERTISSEMENT

### RISQUE DE SUFFOQUER OU D'Y ÊTRE EMPRISONNÉ

Le non-respect de ces instructions d'élimination peut entraîner la mort ou des blessures graves.

**IMPORTANT:** Les enfants pris au piège ou morts d'asphyxie sont toujours d'actualité. Les appareils électroménagers abandonnés sont toujours aussi dangereux, même si on n'attend que «quelques jours» pour s'en débarrasser. Si vous ne gardez pas votre ancien appareils électroménagers, veuillez suivre les

directives ci-dessous afin de prévenir les accidents.

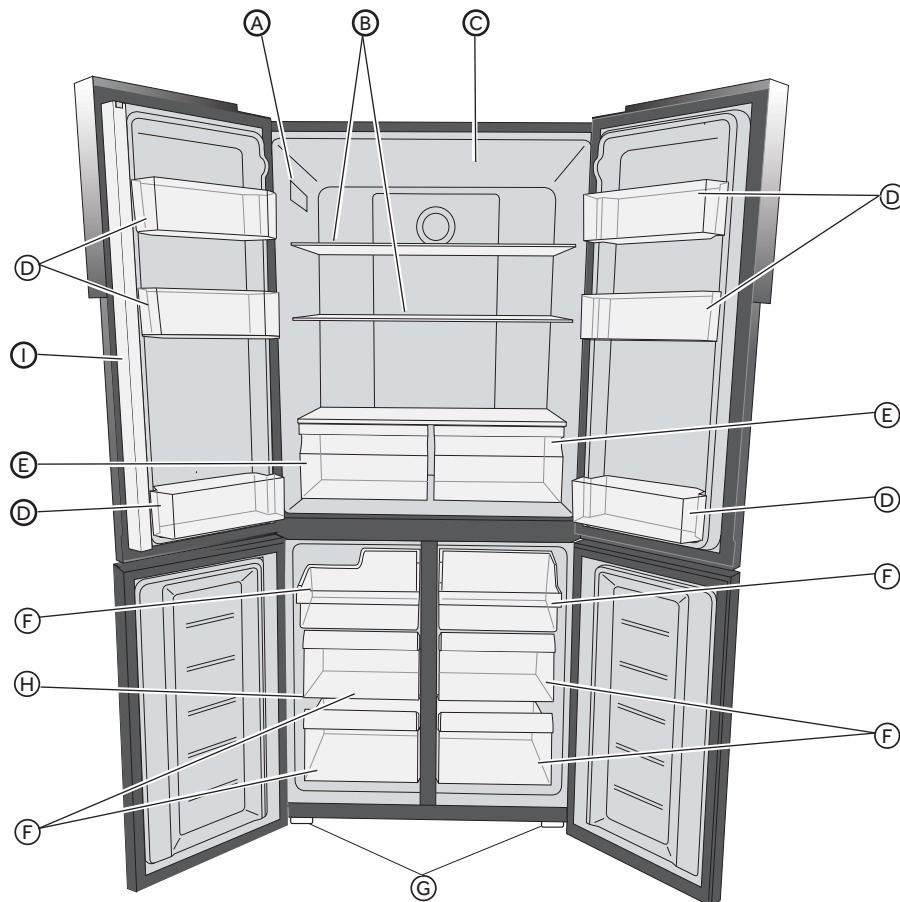
#### Avant de vous débarrasser de votre ancien appareil

- Enlevez les portes du réfrigérateur et du congélateur.
- Laisser les tablettes en place de sorte que les enfants ne puissent pas y pénétrer facilement.

#### Mise au rebut des produits réfrigérants et en mousse:

Mettez l'électroménager au rebut conformément à la réglementation fédérale et locale. Le fluide frigorigène inflammable et le matériel isolant utilisés nécessitent des procédures de mise au rebut spéciales. Communiquez avec les autorités locales pour connaître la façon de mettre votre électroménager au rebut qui soit respectueuse de l'environnement.

# PIÈCES ET CARACTÉRISTIQUES



- Ⓐ Plaque signalétique des numéros de modèle et de série
- Ⓑ Tablette en verre
- Ⓒ Lumière
- Ⓓ Balconnet
- Ⓔ Légume/tiroir
- Ⓕ Tiroir de congélateur (6)
- Ⓖ Jambes de nivellement
- Ⓗ Tablette de congélateur
- Ⓘ Cloison articulée

# EXIGENCES D'INSTALLATION

## AVANT DE COMMENCER

Lisez ces instructions entièrement et attentivement.

- **IMPORTANT** – Conservez ces instructions pour l'inspecteur local.
- **IMPORTANT** – Respectez toutes les ordonnances et les codes locaux.
- **Note à l'installateur** – Assurez-vous de laisser ces instructions au consommateur.
- **Note au consommateur** – Conservez ces instructions pour référence future.
- **Niveau de compétence** – L'installation de cet appareil nécessite des compétences mécaniques de base.
- **Temps d'installation**– Installation du réfrigérateur: 15 minutes
- L'installateur est responsable de bien installer ce réfrigérateur.
- Toute panne du produit due à une mauvaise installation n'est pas couverte par la garantie.

## EXIGENCES D'EMPLACEMENT

### ⚠ AVERTISSEMENT



#### Risque d'explosion ou Incendie

**Garder les matériaux et les vapeurs inflammables, telles que l'essence, loin de l'appareil.**

**Le non-respect de cette instruction peut causer un décès, une explosion ou un incendie.**

**IMPORTANT :** Ce réfrigérateur est conçu uniquement pour être utilisé d'une manière autoportante. Il ne doit pas être encastré ni installé dans un placard fermé. Pour vous assurer que le réfrigérateur fonctionne à son efficacité optimale, il doit être installé dans un endroit où la circulation d'air et les raccordements électriques sont appropriés.

### EMPLACEMENT DU RÉFRIGÉRATEUR

- N'installez pas le réfrigérateur dans une pièce où les températures descendent en-dessous de 55°F (13°C) parce qu'il serait difficile d'y maintenir une température correcte.
- N'installez pas le réfrigérateur dans un endroit où la température ambiante sera supérieure à 110°F (43°C). Il ne fonctionnera pas correctement.
- Il doit être installé sur une surface suffisamment solide pour supporter le poids d'un réfrigérateur rempli.
- N'installez pas le réfrigérateur dans un endroit exposé à l'eau (pluie, etc.) ou directement aux rayons solaires.

# INSTRUCTIONS D'INSTALLATION

## DÉBALLAGE DU RÉFRIGÉRATEUR

### ⚠ AVERTISSEMENT



Risque d'explosion ou incendie

Ne pas perforez le circuit frigorigène.

Suivre attentivement les instructions de manipulation.

Utilisation d'un liquide frigorigène inflammable.

Le non-respect de cette instruction peut causer un décès, une explosion ou un incendie.

**IMPORTANT :** Manipuler le réfrigérateur avec précautions lorsqu'il est déplacé soit pour éviter d'endommager le circuit frigorigène, soit pour diminuer le risque de fuites.

**IMPORTANT :** Lorsque le réfrigérateur est déplacé, ne jamais l'incliner à plus de 45°. Cela pourrait endommager le compresseur et le système scellé. Si le réfrigérateur a été placé en position horizontale pendant un moment, attendre 30 minutes avant de brancher le réfrigérateur pour que le réfrigérant se remette en place.

1. Retirer tout le matériel d'emballage. Cela comprend la base ondulée et tout le ruban adhésif qui fixe les accessoires du réfrigérateur à l'intérieur et l'extérieur.
2. Inspecter et retirer tout reste d'emballage, d'adhésif ou d'imprimés avant de mettre le réfrigérateur en marche.
3. Si le réfrigérateur est doté de portes lisses ou en acier inoxydable, veiller à retirer la pellicule transparente avant de le mettre en marche pour la première fois. Ne pas tirer la pellicule directement vers le bas afin de ne pas désaligner les portes.
4. Il est normal que la porte du congélateur soit légèrement plus haute que le dessus de la carrosserie lorsque le réfrigérateur sera installé en premier lieu. Cette hauteur est donnée à l'usine pour assurer la bonne étanchéité du joint une fois la porte chargée d'articles alimentaires.

## NIVELLEMENT DU RÉFRIGÉRATEUR

- Le réfrigérateur est doté de deux pieds de nivellement situés aux coins inférieurs avant. Vous pouvez niveler le réfrigérateur une fois qu'il est placé correctement à sa position finale.
- Les pieds de nivellement peuvent être réglés en les tournant dans le sens des aiguilles d'une montre pour élever votre réfrigérateur ou en les tournant dans le sens inverse des aiguilles d'une montre pour abaisser votre réfrigérateur. La porte du réfrigérateur se ferme plus aisément avec les pieds de nivellement allongés.



## CIRCULATION D'AIR ADÉQUATE

- Pour vous assurer du rendement optimal pour lequel il a été conçu, installez le réfrigérateur à un endroit où la circulation d'air, la plomberie et les connexions électriques sont adéquates. Votre réfrigérateur n'est pas conçu pour fonctionner à des températures en dessous de 16 °C (60 °F) ou au-dessus de 37 °C (100 °F).
- N'installez pas le réfrigérateur à un endroit incorrectement isolé ou chauffé, p.ex. un garage, etc. Gardez le réfrigérateur à l'écart des rayons directs du soleil et des sources de chaleur telles que radiateurs, appareils de chauffage et de cuisson.
- Les dégagements suivants sont recommandés autour du réfrigérateur :

Côtés..... 0 mm (0 po)      Dessus ..... 25 mm (1 po)  
Arrière ..... 50mm (2 po)

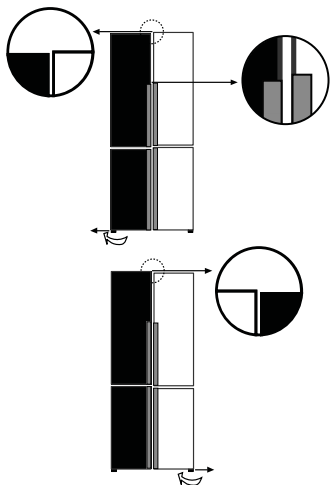
# INSTRUCTIONS D'INSTALLATION

## ALIGNEMENT DES PORTES (si nécessaire)

Des réglages sont nécessaires si les bords des portes du réfrigérateur ne sont pas parfaitement alignés.

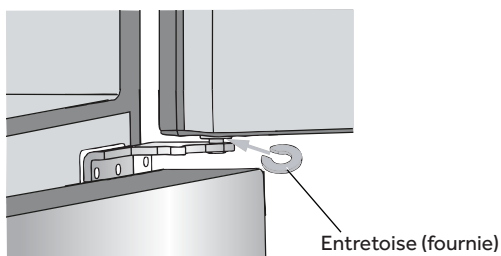
### Au moyen du pied de nivellement

- Tourner le pied de nivellement pour soulever ou abaisser le côté du réfrigérateur qui doit être ajusté.
- Dans le sens horaire : pour soulever
- Dans le sens antihoraire : pour abaisser



### Au moyen des entretoises (fournies)

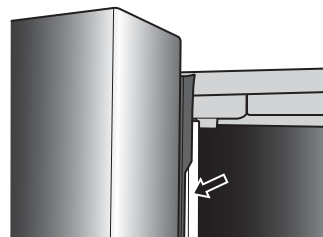
- Ouvrir la porte. En gardant la porte ouverte, soulever la porte vers le haut.
- À la main ou au moyen d'une pince, emboîter l'entretoise (fournie) sur l'axe de charnière centrale.



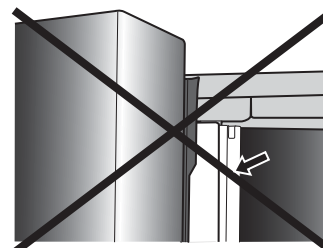
## OUVERTURE ET FERMETURE DES PORTES

Il y a deux portes pour le compartiment de réfrigération. Les portes peuvent être ouvertes et fermées séparément ou ensemble.

- Il y a une cloison articulée sur la porte gauche du réfrigérateur.
- Lorsque vous fermez la porte gauche du réfrigérateur, la cloison se plie derrière la porte droite, ce qui unit les deux portes de réfrigérateur.
- Il y a un élément chauffant à l'intérieur du cadre qui aide à éviter que de l'humidité se développe sur la cloison. La température en surface peut être tiède, ce qui est normal, cela n'affectant en aucune façon la performance du réfrigérateur.

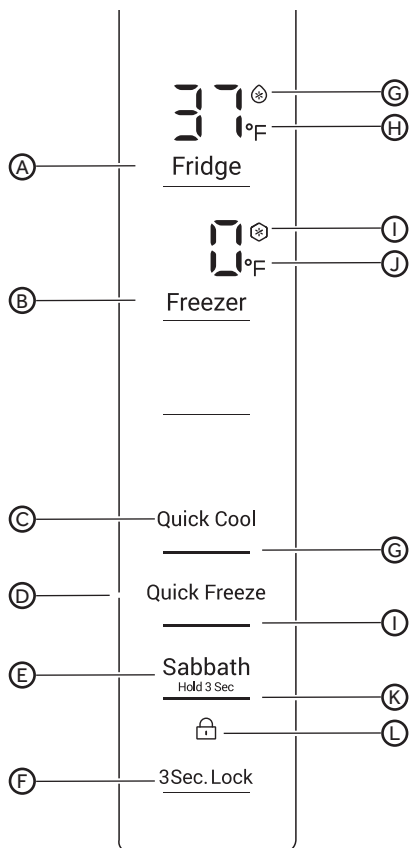


**REMARQUE :** Avant de fermer la porte gauche, assurez-vous que la cloison articulée est pliée vers l'intérieur. Si la cloison est tirée vers l'extérieur, elle pourrait être endommagée lorsque vous tentez de fermer la porte.



# UTILISATION DU RÉFRIGÉRATEUR

## COMMANDES



- Ⓐ Bouton de commande de la température du réfrigérateur
- Ⓑ Bouton de commande de la température du congélateur
- Ⓒ Bouton Quick Cool (refroidissement rapide)
- Ⓓ Bouton Quick Freeze (congélation rapide)
- Ⓔ Bouton Sabbath (mode Sabbat)
- Ⓕ Bouton Lock (verrouillage)
- Ⓖ Voyant Quick Cool (refroidissement rapide)
- Ⓗ Voyant de la température du réfrigérateur affichée en °F
- Ⓘ Voyant Quick Freeze (congélation rapide)
- Ⓙ Voyant de la température du congélateur affichée en °F
- Ⓚ Voyant du mode Sabbat
- Ⓛ Voyant de verrouillage

## TOUCHES À EFFLEUREMENT

Les commandes sont activées par des touches, réagissant lorsqu'elles sont effleurées.

## VERROUILLAGE DU TABLEAU DE COMMANDE

Le tableau de commande se verrouille automatiquement après 30 secondes de non utilisation. Il doit être déverrouillé pour modifier tout réglage.

### Pour verrouiller le tableau de commande :

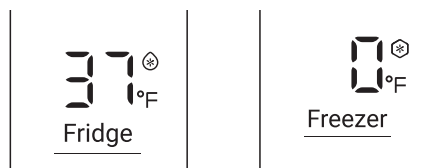
Appuyer sans relâcher sur la touche **LOCK** (verrouillage) pendant 3 secondes. Le voyant "Lock" (verrouillage) s'éteint.



### Pour déverrouiller le tableau de commande :

Appuyer sans relâcher sur la touche **LOCK** (verrouillage) pendant 3 secondes. Le voyant "Lock" (verrouillage) s'éteint.

## AFFICHAGE DE LA TEMPÉRATURE



Lorsqu'aucun bouton ou porte n'est actionné(e) pendant 30 secondes, toutes les DEL de l'affichage du tableau de commande s'éteignent.

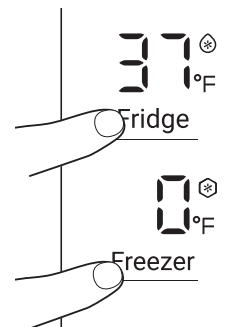
Lorsqu'un bouton est actionné ou qu'une porte est ouverte, toutes les DEL de l'affichage du tableau de commande s'illuminent.

## FONCTION UNITS SELECT (SÉLECTION DE L'UNITÉ)

La fonction Units Select (sélection de l'unité) permet de choisir d'afficher la température réglée en degrés Fahrenheit (°F) ou en degrés Celsius (°C).

L'unité de température par défaut est en degrés Fahrenheit.

1. Si le tableau de commande est verrouillé, le déverrouiller en appuyant sans relâcher sur LOCK (verrouillage) pendant 3 secondes.
2. Appuyer simultanément et sans relâcher sur les boutons FRIDGE (réfrigérateur) et FREEZER (congélateur) pendant 3 secondes. "°C" apparaît à côté de la température affichée pour indiquer que l'unité a été changée en degrés Celsius.
3. Pour revenir à l'affichage en degrés Fahrenheit de la température réglée, appuyer simultanément et sans relâcher sur les boutons FRIDGE (réfrigérateur) et FREEZER (congélateur) pendant 3 secondes. Le symbole "°C" disparaît de l'affichage de la température.



# UTILISATION DU RÉFRIGÉRATEUR

## COMMANDES (Suite)

### COMMANDES DE TEMPÉRATURE

La température du compartiment de réfrigération se situe entre 34 °F et 42 °F (entre 1 °C et 6 °C). La température du compartiment de congélation se situe entre -6 °F et 6 °F (entre -21 °C et -14 °C).

Le compartiment de réfrigération est préréglé à la température recommandée de 37 °F (3 °C) et le compartiment de congélation est préréglé à la température recommandée de 0 °F (-18 °C). Lorsque le réfrigérateur est branché pour la première fois, l'affichage indique les réglages de température recommandés.

#### IMPORTANT:

- Le réglage recommandé doit être correct pour une utilisation domestique normale du réfrigérateur.
- Lorsque le réfrigérateur est branché pour la première fois, une période de 12 heures maximum est nécessaire pour atteindre la température recommandée. Attendre 24 heures pour que le réfrigérateur refroidisse complètement avant d'y placer des aliments. Si on ajoute des aliments avant que le réfrigérateur ne soit complètement refroidi, les aliments risquent de s'abîmer.
- Si la température est trop tiède ou trop froide dans le réfrigérateur ou le congélateur, vérifier d'abord les événements pour s'assurer

#### Réglage des commandes

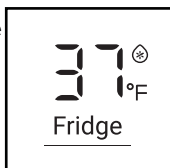
Ne pas ajuster les commandes de plus d'un cran à la fois, sauf lors de la mise en marche du réfrigérateur. Attendre 24 heures entre chaque réglage pour que la température puisse se stabiliser.

**REMARQUE :** La température ne peut pas être réglée si une autre fonction de commande est activée, comme Quick Freeze (congélation rapide), Quick Cool (refroidissement rapide) ou le mode Sabbath ou si le tableau de commande est verrouillé. Le voyant correspondant s'allume et un signal sonore retentit.

#### Réglage de la température du réfrigérateur :

1. Si le tableau de commande est verrouillé, le déverrouiller en appuyant sans relâcher sur LOCK (verrouillage) pendant 3 secondes.
2. Appuyer sur Fridge (réfrigérateur) pour modifier la température.

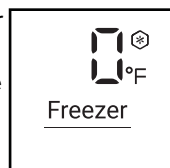
**REMARQUE :** La température diminue d'un degré à la fois et un signal sonore retentit à chaque pression. Après 5 secondes d'inutilisation d'un bouton, le réglage de la température est alors automatiquement validé.



#### Réglage de la température du congélateur :

1. Si le tableau de commande est verrouillé, le déverrouiller en appuyant sans relâcher sur LOCK (verrouillage) pendant 3 secondes.
2. Appuyer sur le bouton Freezer (congélateur) pour régler la température.

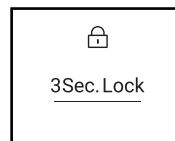
**REMARQUE :** La température diminue d'un degré à la fois et un signal sonore retentit à chaque pression. Après 5 secondes d'inutilisation d'un bouton, le réglage de la température est alors automatiquement validé.



### QUICK COOL (REFROIDISSEMENT RAPIDE)

La fonction Quick Cool (refroidissement rapide) accélère le refroidissement des aliments frais et maintient les aliments déjà entreposés à l'abri d'un réchauffement indésirable.

1. Si le tableau de commande est verrouillé, le déverrouiller en appuyant sans relâcher sur LOCK (verrouillage) pendant 3 secondes.



2. Appuyer sur le bouton Quick Cool (refroidissement rapide). Les voyants Quick Cool (refroidissement rapide) s'allument.
3. Répéter les étapes 1 et 2 pour désactiver manuellement la fonction Quick Cool (refroidissement rapide).

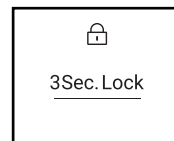


**REMARQUE :** La fonction Quick Cool (refroidissement rapide) s'éteint automatiquement après 3 heures.

### QUICK FREEZE (CONGÉLATION RAPIDE)

La fonction Quick Freeze (congélation rapide) accélère la congélation des aliments frais et maintient les aliments congelés à l'abri d'un réchauffement indésirable. Si une grande quantité d'aliments doit être congelée, il est recommandé de régler la fonction Quick Freeze (congélation rapide) quelques heures à l'avance.

1. Si le tableau de commande est verrouillé, le déverrouiller en appuyant sans relâcher sur LOCK (verrouillage) pendant 3 secondes.



2. Appuyer sur le bouton Quick Freeze (congélation rapide). Les voyants Quick Freeze (congélation rapide) s'allument.
3. Répéter les étapes 1 et 2 pour désactiver manuellement la fonction Quick Freeze (congélation rapide).



**REMARQUE :** La fonction Quick Freeze (congélation rapide) s'éteint automatiquement après 50 heures.

# UTILISATION DU RÉFRIGÉRATEUR

## COMMANDES (Suite)

### SABBAT

La fonction Sabbath (mode Sabbat) est conçue pour les personnes dont les pratiques religieuses requièrent l'extinction des lumières. Toutes les lumières intérieures et les signaux sonores sont désactivés.

1. Si le tableau de commande est verrouillé, le déverrouiller en appuyant sans relâcher sur LOCK (verrouillage) pendant 3 secondes.
2. Appuyer sans relâcher sur SABBATH (Sabbat) pendant 3 secondes, jusqu'à ce que le voyant correspondant au mode Sabbat

Sabbath  
Hold 3 Sec

s'illumine.

#### REMARQUES :

- All alert tones and lights are deactivated.
  - If Quick Cool and/or Quick Freeze was on, Sabbath mode turns off these features automatically.
  - The Control Panel will remain unlocked while in Sabbath mode.
3. Pour désactiver le mode Sabbat, appuyer sans relâcher sur SABBATH (Sabbat) pendant 3 secondes.

### ALARME DE LA PORTE

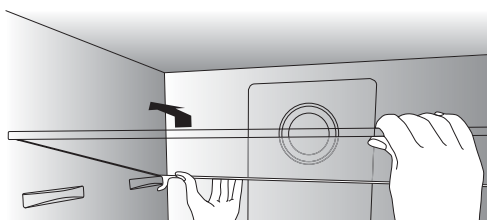
Lorsque la porte du réfrigérateur est ouverte pendant plus de 3 minutes, l'alarme d'ouverture de porte retentit. Cette alarme peut s'éteindre en fermant la porte. Si la porte est laissée ouverte pendant plus de 7 minutes, l'éclairage intérieur du réfrigérateur s'éteint automatiquement.

## CARACTÉRISTIQUES RÉFRIGÉRATEUR

### TABLETTES RÉGLABLES

La hauteur des tablettes peut être réglée pour convenir à vos besoins d'entreposage.

1. Pour retirer une tablette, soulever les coins avant et arrière pour dégager les crochets de la tablette des supports de tablette situés sur la paroi du réfrigérateur, et tirer vers l'extérieur.

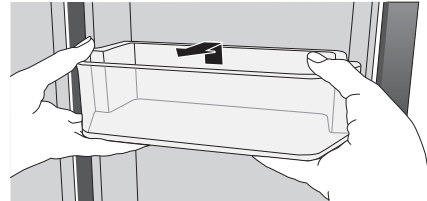


2. Pour réinstaller une tablette, faire reposer la tablette sur les supports avant et arrière. Pousser la tablette vers l'arrière du réfrigérateur jusqu'à ce que l'arrière de la tablette s'accroche aux supports arrière de la tablette.

### BALCONNETS AMOVIBLES

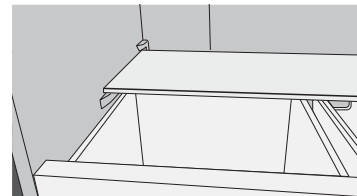
Retrait et réinstallation d'un balconnet :

1. Placer les mains de chaque côté du balconnet et soulever vers le haut.
2. Dégager le balconnet.
3. Réinstaller le balconnet en l'insérant par le dessus du support et en appuyant dessus pour qu'il s'emboîte.



### TIROIRS À LÉGUMES

Il est possible d'utiliser ces tiroirs pour stocker des légumes et des fruits. Pour le retirer, tirez le tiroir en ligne droite vers l'extérieur.



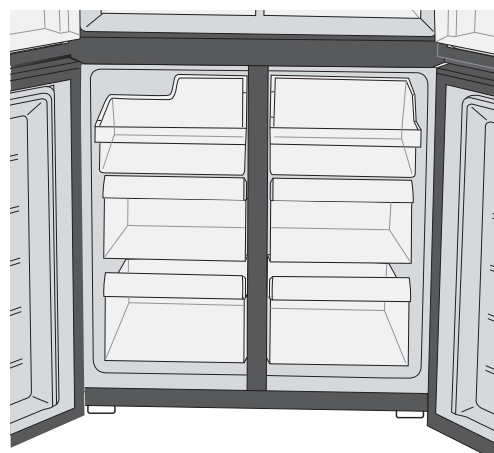
## CONGÉLATEUR

Il y a six tiroirs dans le compartiment du congélateur. Les tiroirs du haut et du milieu peuvent être retirés pour faire du couvercle de tiroir inférieur une tablette pour ranger de grands articles.

Si vous installez une machine à glaçons dans cet appareil, le tiroir supérieur gauche est employé comme bac à glaçons.

#### Retrait et réinstallation du tiroir de congélateur :

1. Tirer le tiroir vers soi pour l'ouvrir au maximum.
2. Soulever pour sortir le tiroir.
3. Répéter les étapes 1 à 2 à l'envers pour remettre le tiroir en place.





# UTILISATION DU RÉFRIGÉRATEUR

## NETTOYAGE

Les sections de réfrigération et de congélation se dégivrent automatiquement. Toutefois, nettoyer les deux compartiments environ une fois par mois afin d'éviter une accumulation d'odeurs. Essuyer les renversements immédiatement.

Comme l'air circule entre les deux sections, toutes les odeurs formées dans une section seront transférées à l'autre. Les deux sections doivent être nettoyées avec soin pour éliminer les odeurs. Pour éviter le transfert d'odeurs et l'assèchement des aliments, envelopper ou recouvrir hermétiquement les aliments.

### IMPORTANT:

- Ne pas utiliser de produits chimiques corrosifs, d'ammoniaque, d'agent de blanchiment, de détergents concentrés, de solvant ou de tampons à récurer métalliques ou abrasifs pour nettoyer l'intérieur ou l'extérieur du réfrigérateur. Ceux-ci peuvent endommager et/ou décolorer le fini du réfrigérateur.

### ATTENTION

Ne pas nettoyer les tablettes ou les couvercles de verre avec de l'eau tiède lorsqu'ils sont froids. Les tablettes et couvercles peuvent se briser s'ils sont exposés à des changements de températures ou impacts soudains, tels qu'une chute. Le verre trempé est conçu pour se briser en de multiples petits morceaux de la taille de gravillons. Ceci est normal. Les tablettes en verre et les couvercles sont lourds. Les retirer à deux mains pour éviter de les faire tomber.

### AVERTISSEMENT



#### Risque de choc électrique

Débrancher votre appareil ou déconnecter la source de courant électrique avant de le nettoyer.

Le non-respect de cette instruction peut causer un décès, un choc électrique ou blessures.

1. Débrancher le réfrigérateur ou déconnecter la source de courant électrique.
2. Nettoyer l'intérieur. Laver à la main, rincer et sécher les pièces amovibles et les surfaces internes soigneusement. Utiliser une éponge propre ou un linge doux et un détergent doux dans de l'eau tiède.
3. Nettoyer les surfaces extérieures.

**Métal peint :** Laver les parties métalliques extérieures à l'aide d'un chiffon ou d'une éponge doux/douce et propre et d'un détergent doux dans de l'eau tiède. Rincer les surfaces avec une eau propre et tiède et sécher immédiatement afin d'éviter d'éventuelles taches laissées par l'eau.

**Acier inoxydable :** L'acier inoxydable est résistant à la corrosion et non anticorrosion. Pour éviter la corrosion sur l'acier inoxydable, laver les surfaces en acier inoxydable à l'aide d'un chiffon ou d'une éponge doux/douce et propre et d'un détergent doux dans de l'eau tiède. Rincer les surfaces avec une eau propre et tiède et sécher immédiatement afin d'éviter d'éventuelles taches laissées par l'eau.

**REMARQUE :** Lors du nettoyage de l'acier inoxydable, toujours frotter dans le sens du grain afin d'éviter d'érafler la surface.

4. Nettoyer les joints de porte tous les 3 mois. Laver les joints à l'aide d'une éponge propre ou d'un linge doux et un détergent doux dilué dans de l'eau tiède. Rincer soigneusement et bien sécher. Appliquer un peu de vaseline sur les joints côté charnière maintiendra la souplesse du joint et garantira une bonne étanchéité.

**REMARQUE :** La propreté des joints assurera une plus grande étanchéité.

5. Brancher le réfrigérateur ou reconnecter la source de courant électrique.

## ÉCLAIRAGE

Les lampes intérieures du réfrigérateur s'éteignent si les portes sont ouvertes pendant plus de 7 minutes.

**IMPORTANT :** Le réfrigérateur est équipé d'un éclairage à DEL. Cet éclairage est conçu pour durer pendant toute la durée de vie utile du réfrigérateur. Toutefois, si l'éclairage s'arrête de fonctionner, contacter un technicien qualifié pour effectuer le remplacement.

## VACANCES OU LE DÉMÉNAGEMENT

### VACANCES

**Si vous choisissez de laisser le réfrigérateur en marche pendant votre absence :**

1. Consommer toutes les denrées périssables et congeler les autres articles.

**Si vous choisissez d'éteindre le réfrigérateur avant votre absence :**

1. Enlever tous les aliments du réfrigérateur et du congélateur.
2. Débrancher le réfrigérateur ou déconnecter la source de courant électrique.
3. Nettoyer le réfrigérateur, l'essuyer et bien le sécher.
4. À l'aide d'un ruban adhésif, placer des blocs de caoutchouc ou de bois dans la partie supérieure de chaque porte de façon à ce qu'elles soient suffisamment ouvertes pour permettre l'entrée de l'air à l'intérieur, afin d'éviter l'accumulation d'odeurs ou de moisissure.

# ENTRETIEN DU RÉFRIGÉRATEUR

## VACANCES OU LE DÉMÉNAGEMENT (Suite)

### DÉMÉNAGEMENT

**IMPORTANT :** Déplacer le réfrigérateur avec précaution soit pour éviter d'endommager le circuit frigorigène, soit pour diminuer le risque de fuites.

#### **⚠ AVERTISSEMENT**

##### **Risque du poids excessif**

**Utiliser deux ou plus de personnes pour déplacer et installer le réfrigérateur.**

**Le non-respect de cette instruction peut causer une blessure au dos ou d'autres blessures.**

En cas de déménagement et de déplacement du réfrigérateur dans une nouvelle habitation, suivre ces étapes pour préparer le déménagement.

1. Retirer tous les aliments du réfrigérateur et placer tous les aliments congelés dans de la neige carbonique.
2. Débrancher le réfrigérateur.
3. Bien nettoyer, essuyer et sécher.
4. Retirer toutes les pièces amovibles, bien les envelopper et les attacher ensemble avec du ruban adhésif pour qu'elles ne bougent ou ne s'entrechoquent pas durant le déménagement.
5. Soulever les pieds de nivellement pour qu'ils n'éraflent pas le sol. Voir "Nivellement".
6. Utiliser du ruban adhésif pour maintenir les portes fermées et fixer le cordon d'alimentation à l'arrière du réfrigérateur. Lorsque vous arriverez à votre nouveau domicile, remettez tout en place et consultez la section "Instructions d'installation" pour les instructions de préparation.

## RÉINSTALLATION/RÉUTILISATION DU RÉFRIGÉRATEUR

Si le réfrigérateur a été placé en position horizontale ou incliné pendant un moment, attendre 2 à 5 heures avant de le brancher pour que l'huile se remette en place dans le compresseur.

1. Nettoyer le réfrigérateur. Voir "Nettoyage".
2. Placer le réfrigérateur à l'emplacement souhaité et régler son aplomb. Voir "Instructions d'installation".
3. Brancher à une prise à trois alvéoles reliée à la terre.

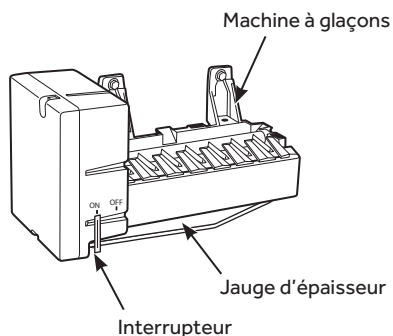
# ACCESSOIRE

## INSTRUCTIONS D'INSTALLATION D'ACCESSOIRES POUR MACHINE À GLAÇONS

### Trousse d'accessoires pour machine à glaçons IM4D:

Une trousse d'accessoires pour machine à glaçons IM4D est offerte moyennant un coût supplémentaire.

Pour commander, appelez GE Appliances au 800 GECARES (800 432-2737) ou visitez GEAppliances.com. Au Canada, visitez GEAppliances.ca ou composez le 800 561-3344.



### AVANT DE COMMENCER

Lisez ces instructions en entier et avec attention.

- **IMPORTANT** – Conservez ces instructions à l'intention de l'inspecteur régional.
- **IMPORTANT** – Respectez tous les codes et toutes les lois en vigueur.
- **Remarque à l'intention de l'installateur** – Assurez-vous de remettre ces instructions au client.
- **Remarque à l'intention du client** – Conservez ces instructions pour pouvoir les consulter ultérieurement.
- **Niveau de compétence** – L'installation de cet appareil nécessite des compétences mécaniques de base.
- **Temps requis pour réaliser** – 20 à 60 minutes.
- L'installation adéquate est la responsabilité de l'installateur.
- La défaillance du produit en raison d'une installation inadéquate n'est pas protégée en vertu de la garantie.

### Dommages – Expédition/installation

- Si l'appareil est endommagé pendant le transport, retournez-le au magasin où il a été acheté pour réparation ou remplacement.
- Si l'appareil est endommagé par le client, la réparation ou le remplacement est la responsabilité du client.
- Si l'appareil est endommagé par l'installateur (si autre que le client), la réparation ou le remplacement doit être entendu entre le client et l'installateur.

### ARTICLES NÉCESSAIRES POUR LA TROUSSE IM4D

- 
- 1 Machine à glaçons
- 
- 2 Installation Instructions
- 
- 3 Ensemble de robinet automatique de débit d'eau et de tube
- 
- 5 Vis à tête hexagonale pour collier de serrage de canalisation d'eau (3/4 po)\*
- 
- 10 Vis à tête cruciforme, pour l'assemblage de la machine à glaçons (2) (7/8 po)\*
- 
- 13 Réservoir de remplissage de la machine à glaçons (assemblé sur le côté)
- 
- 6 Collier de serrage de canalisation d'eau (détendeur), pour la canalisation d'eau domestique
- 
- 7 Étiquette de garantie
- |                                   |
|-----------------------------------|
| ICEMAKER<br>WARRANTY VERIFICATION |
| Date Installed _____              |
| Dealer _____                      |

### ⚠ AVERTISSEMENT


Réalisez le raccord sur une alimentation en eau potable uniquement.

Une alimentation en eau froide est nécessaire pour le fonctionnement de la machine à glaçons automatique. La pression d'eau doit être entre 40 et 120 lb/po<sup>2</sup> (275-827 kilopascals)

# ACCESSOIRE

## AVANT DE COMMENCER

Read these instructions completely and carefully.

**⚠ AVERTISSEMENT**  **RISQUE DE DÉCHARGES ÉLECTRIQUES** Pour éliminer le risque de décharge électrique ou de blessures pendant l'installation, vous devez débrancher le réfrigérateur avant de procéder.



## VOUS AUREZ BESOIN



Tournevis à tête plate et cruciforme



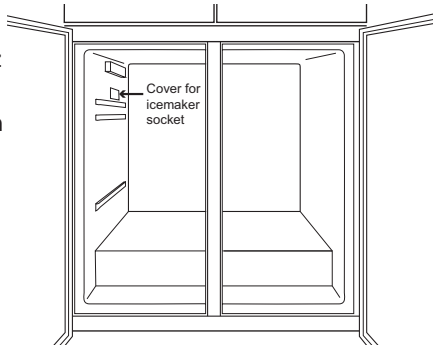
Pince



Couteau coupant

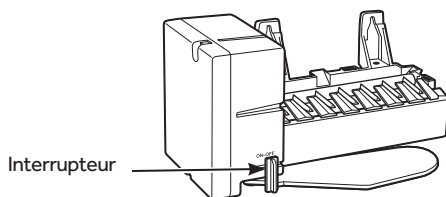
## PRÉPARER LE RÉFRIGÉRATEUR

À l'intérieur du congélateur, retirez le couvercle pour la prise d'alimentation de la machine à glaçons.



## METTRE L'INTERRUPTEUR À OFF (ARRÊT)

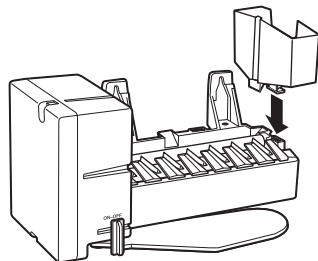
Mettez l'interrupteur de la machine à glaçon à OFF.



(L'aspect peut varier)

## INSTALLER LE RÉSERVOIR DE REMPLISSAGE DE LA MACHINE À GLAÇON

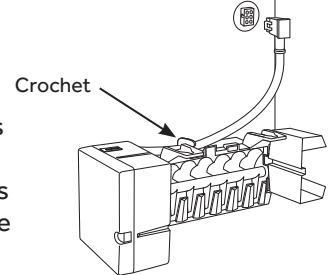
Installez le réservoir de remplissage(3) de la machine à glaçons comme illustré.



## BRANCHER LA MACHINE À GLAÇONS

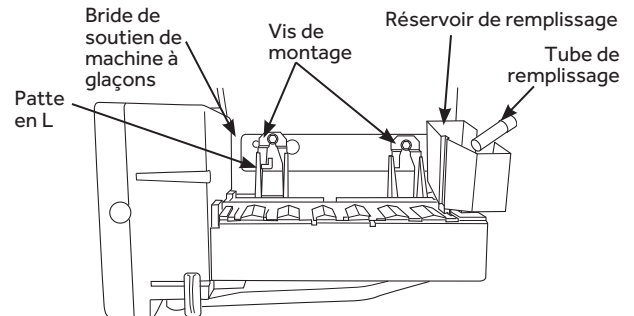
Branchez le cordon d'alimentation de la machine à glaçons dans la prise en vous assurant que les broches et les trous se correspondent.

Enfoncez fermement le connecteur dans la prise. Verrouillez le connecteur en place en fixant les dispositifs de retenue de chaque côté du connecteur. Assurez-vous que les dispositifs de retenue s'enclenchent en place. Assurez-vous que le cordon d'alimentation est toujours dans le crochet à l'arrière de la machine à glaçons.



## ASSEMBLER LA MACHINE À GLAÇONS

- Pour une installation facile, retirez le tiroir de congélateur supérieur et celui au milieu à gauche
- Posez les deux vis de montage dans les trous de vis sur la bride de soutien de la paroi supérieure gauche du congélateur. Soulevez la machine à glaçons de façon à ce que l'ensemble de tube de remplissage entre dans l'ouverture du réservoir de remplissage. Suspendez la machine à glaçons sur les vis sur la patte en L à l'avant de la bride de soutien.



### S'assurer de ce qui suit:

- Le cordon d'alimentation est solidement en place dans la prise.
- Le tube de remplissage va jusqu'au réservoir de remplissage à l'arrière de la machine à glaçon.
- Les vis de montage de la machine à glaçons doivent se trouver dans la position la plus haute des fentes de montage sur le support de la machine à glaçons.
- La machine à glaçons est au niveau.
- L'interrupteur de machine à glaçons est en position **OFF** (arrêt).

**SERRER SOLIDEMENT LES VIS DE MONTAGE DE LA MACHINE À GLAÇONS.**

# ACCESSOIRE

## FIXER L'ÉTIQUETTE DE GARANTIE

Une **étiquette** de garantie est fournie avec cette trousse pour consigner la date de l'installation à des fins de garantie. Apposez-la à l'arrière du réfrigérateur.

## CONSERVER LE GUIDE

**La garantie de la machine à glaçons est imprimée dans le guide qui vient avec votre trousse de machine à glaçons. Conservez ce guide avec votre guide de l'utilisateur du réfrigérateur.**

L'installation de la machine à glaçons à l'intérieur du congélateur est maintenant terminée. Passez à la section de l'assemblage du robinet automatique de débit d'eau.

### ⚠ ATTENTION

Ne mettez pas les doigts ou les mains dans le mécanisme de la machine à glaçons pendant que le réfrigérateur est branché. Ceci aidera à vous protéger de blessures potentielles.

Cela permettra également d'éviter des interférences avec des pièces mobiles du mécanisme d'éjecteur et l'élément chauffant qui libère les glaçons, situé à la base de la machine à glaçons.

## ROBINET AUTOMATIQUE DE DÉBIT D'EAU

### ⚠ AVERTISSEMENT

**Pour réduire le risque de décès ou de décharge électrique, vous devez suivre les instructions suivantes:**

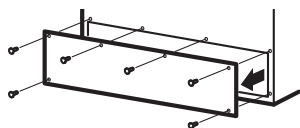
- Débranchez le réfrigérateur avant de retirer des panneaux.
- N'endommagez pas le câblage pendant que le panneau est retiré.
- Remplacez toutes les pièces et tous les panneaux avant de rebrancher le réfrigérateur.

### ⚠ AVERTISSEMENT RISQUE DE DÉCHARGES ÉLECTRIQUES

Fixez le collier des tubes en utilisant le trou existant uniquement. NE percez PAS de trou dans le réfrigérateur.

## RETIREZ LE COUVERCLE

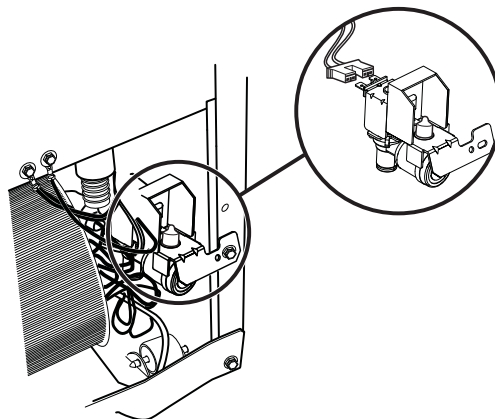
Retirez le couvercle d'accès. Ceci exige de retirer les vis qui fixent le couvercle à l'arrière de l'enveloppe du réfrigérateur.



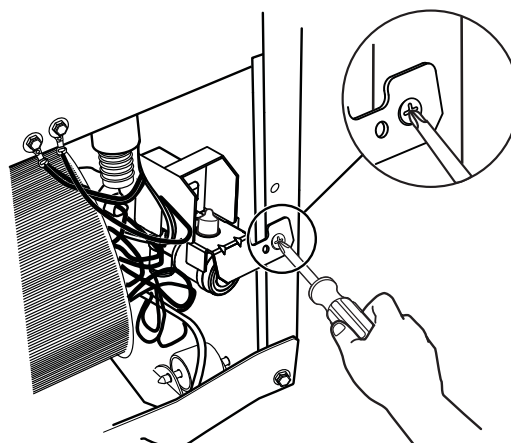
Assurez-vous de conserver les vis, car le couvercle d'accès doit être réinstallé plus tard pour assurer que votre réfrigérateur fonctionne correctement.

## FIXER LE ROBINET AUTOMATIQUE DE DÉBIT D'EAU

- Connectez le tube d'eau préinstallé dans le compartiment de la machine sur le robinet automatique de débit d'eau. N'utilisez pas le tube d'eau qui vient avec le robinet automatique de débit d'eau. Pour retirer le tube d'eau du robinet automatique de débit d'eau, poussez la rondelle blanche vers le robinet et tirez-la hors du tube d'eau.
- Retirez le tube d'eau noir du côté droit du compartiment de la machine. Retirez le ruban de l'extrémité. Insérez le tube d'eau sur le robinet automatique de débit d'eau entièrement jusqu'à la marque à 0,5 po de l'extrémité. Enroulez et insérez le reste du tube dans le compartiment.
- Repérez le connecteur femelle. Branchez le connecteur femelle dans les bornes mâles du robinet automatique de débit d'eau. L'un ou l'autre des fils peut aller sur l'une ou l'autre des bornes.



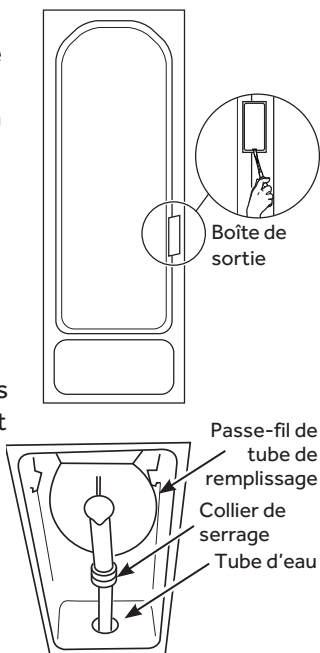
- Fixez le robinet automatique de débit d'eau à l'armoire en serrant la vis de montage (vis à tête plate cruciforme comprise avec ce guide dans le sac d'accessoires) dans le trou dans la patte d'armoire.



## ROBINET AUTOMATIQUE DE DÉBIT D'EAU (SUITE)

### FIXER LE ROBINET AUTOMATIQUE DE DÉBIT D'EAU (suite)

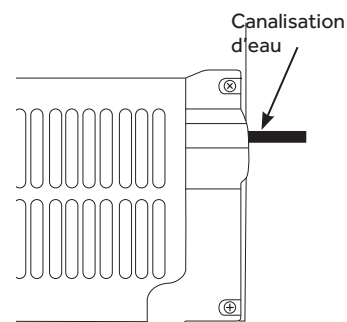
- Ouvrez le couvercle de boîte de sortie situé du côté droit de l'arrière de l'unité avec un tournevis à tête plate.
- Vérifiez le raccord de la canalisation d'eau. Assurez-vous que le tube d'eau est complètement inséré dans le passe-fil. Si ce n'est pas le cas, desserrez le collier de tuyau flexible en pressant les extrémités avec une pince et en insérant le tube aussi loin que possible. Puis, relâchez les extrémités du collier et assurez-vous que le collier retient le tube d'eau. Sinon, l'eau pourrait fuir de ce raccord.



- Vérifiez l'arrière du réfrigérateur pour vous assurer que le tube de remplissage n'a pas été poussé hors de l'arrière du réfrigérateur.

### RÉINSTALLER LE COUVERCLE

Réinstallez le couvercle d'accès. Ceci exige d'utiliser les vis que vous avez retirées précédemment et de rattacher le couvercle à l'arrière de l'enveloppe du réfrigérateur. Il doit être réinstallé pour que votre réfrigérateur fonctionne correctement. La canalisation d'eau doit sortir de la fente de décharge du tube d'eau du côté droit du couvercle d'accès.



### CANALISATION D'EAU RACCORDÉE

Consultez les instructions d'installation de la canalisation d'eau pour le raccord avec l'alimentation en eau domestique dans les instructions d'installation qui viennent avec votre machine à glaçons.

Une fois que l'installation de la canalisation d'eau est terminée, mettez l'interrupteur de la **machine à glaçon à ON (marche)**.

**Le cycle de la machine à glaçon ne commencera pas jusqu'à ce que la machine à glaçons et le compartiment du congélateur atteignent la température de fonctionnement, alors la machine commencera à la fabrication automatiquement.**

# DÉPANNAGE

Essayez tout d'abord les solutions suggérées ici et évitez les coûts pour le service de réparation.

## EL REFRIGERADOR NO FUNCIONA

PROBLÈME	CAUSE(S) POSSIBLE(S)	SOLUTION
<b>Le réfrigérateur ne fonctionne pas</b>	Le réfrigérateur est débranché.	Brancher le réfrigérateur sur une prise à 3 alvéoles reliée à la terre.
	Le disjoncteur est ouvert ou déclenché/ un fusible est grillé.	Réenclencher le disjoncteur ou remplacer le fusible.
	Le réfrigérateur est en mode de dégivrage.	Attendre environ 40 minutes que le programme de dégivrage se termine et que le système de refroidissement redémarre.
<b>Le compresseur du réfrigérateur se met en route souvent ou pendant des périodes prolongées.</b> <b>REMARQUE : Ce réfrigérateur a été conçu pour fonctionner pendant des périodes prolongées avec une consommation d'énergie inférieure.</b>	Ceci est normal lorsque le réfrigérateur est branché pour la première fois.	Accorder 12 heures pour que le réfrigérateur refroidisse.
	Des aliments chauds ou de grosses quantités d'aliments ont été ajoutés.	Ceci est normal.
	La porte a été laissée ouverte, ou le réfrigérateur n'est pas d'aplomb.	S'assurer qu'un article ne bloque pas la fermeture de la porte. Régler l'aplomb du réfrigérateur. Voir "Nivellement du réfrigérateur"
	Temps chaud ou ouvertures fréquentes.	Ceci est normal.
	Commande de la température au réglage le plus froid.	Ajuster la température à un réglage plus chaud.
<b>Le réfrigérateur a une odeur</b>	Les emballages alimentaires ne sont pas étanches ou les aliments ne sont pas emballés correctement.	Refermer hermétiquement les emballages. Placer une boîte ouverte de bicarbonate de soude dans le réfrigérateur, remplacer tous les 3 mois.
	L'intérieur a besoin d'être nettoyé.	Nettoyer l'intérieur. Voir "Nettoyage".
	Les aliments ont été conservés trop longtemps.	Jeter les aliments abîmés.
<b>La lumière ne s'allume pas</b>	Le réfrigérateur est débranché.	Brancher sur une prise à 3 alvéoles reliée à la terre.
	L'ampoule DEL est grillée.	Contacteur un technicien qualifié pour remplacer l'ampoule grillée.
	Le mode sabbat est activé.	En mode sabbat, les lampes sont désactivées. Pour allumer les lampes, vous devez désactiver le mode sabbat. Pour obtenir les instructions, consultez « Mode sabbat ».
<b>Les portes ne ferment pas correctement</b>	Le réfrigérateur n'est pas de niveau.	Niveler le réfrigérateur. Voir "Nivellement".
	Quelque chose obstrue la fermeture de la porte.	Vérifiez s'il y a des obstructions et enlevez-les.
<b>Vibration ou cliquetis</b>	Son donnant l'impression que de l'eau s'écoule du réfrigérateur.	Voir "Nivellement".
<b>Sons normaux</b>	Son donnant l'impression que de l'eau s'écoule du réfrigérateur.	Ce son est émis par le réfrigérant qui s'écoule dans les canalisations lorsque le compresseur se met en marche et s'arrête. Le réfrigérateur est équipé d'un système de dégivrage automatique. Ces sons sont émis par l'eau dégivrée.
	Roulement ou bourdonnement	Ce son peut être émis par le compresseur et les ventilateurs servant à la circulation de l'air froid. Si le réfrigérateur n'est pas d'aplomb, le son sera plus fort.
	Craquements ou cliquetis	Ce son est émis par les parties intérieures lorsqu'elles se contractent ou se dilatent en réponse à des changements de température.

# DÉPANNAGE

## TEMPÉRATURE ET HUMIDITÉ

PROBLÈME	CAUSE(S) POSSIBLE(S)	SOLUTION
<b>Le réfrigérateur ou le congélateur est trop chaud</b>	La commande de la température n'est pas placée à un réglage suffisamment bas.	Régler la température du compartiment à un réglable plus froid; attendre 24 heures que la température s'ajuste.
	La porte est ouverte fréquemment ou entrouverte.	Ne pas ouvrir la porte fréquemment. Vérifiez pour les articles en gardant la porte de se refermer complètement.
	Des aliments tièdes ont été ajoutés récemment.	Attendre que les aliments et le réfrigérateur aient refroidi.
	Il n'y a pas assez d'espace entre l'arrière du réfrigérateur et le mur.	Laisser un espace libre d'au moins 2" (5 cm) entre l'arrière du réfrigérateur et le mur.
	Les articles dans le fond des compartiments empêchent l'air de circuler correctement.	Ranger les articles à l'intérieur des bordures des tablettes de verre; ne pas placer d'articles contre les parois des compartiments ou directement devant les ouvertures d'aération.
<b>Le réfrigérateur ou le congélateur est trop froid.</b>	La commande de la température est placée à un réglage trop bas.	Augmenter la température du compartiment à un réglage inférieur (plus chaud) suivant; attendre 24 heures que la température s'ajuste.
<b>Humidité sur l'extérieur/l'intérieur du réfrigérateur.</b>	Forte présence d'humidité.	Ceci est normal en périodes d'humidité élevée. Sécher la surface et placer la commande de la température à un réglage légèrement plus froid.
	La porte est ouverte fréquemment ou entrouverte.	Ne pas ouvrir la porte fréquemment. Vérifiez pour les articles en gardant la porte de se refermer complètement.
	Récipient de liquide ouvert dans le réfrigérateur.	Couvrir ou fermer le récipient hermétiquement.
<b>Givre ou cristaux de glace sur les aliments surgelés.</b>	La porte est ouverte fréquemment ou entrouverte.	Ne pas ouvrir la porte fréquemment. Vérifiez pour les articles en gardant la porte de se refermer complètement.
	Des articles bloquent les ouvertures d'aération du congélateur et empêchent l'air de circuler librement.	Retirer les articles de l'arrière et du sommet du réfrigérateur.
<b>La commande de la température est placée à un réglage trop froid.</b>	Aliments placés trop près de l'ouverture d'aération.	Retirer les articles de l'arrière et du sommet du réfrigérateur.
	La commande de la température est placée à un réglage trop froid.	Ajuster la température du congélateur à un réglage moins froid.

POUR OBTENIR DE L'AIDE SUPPLÉMENTAIRE, VISITER [HAIERAMERICA.COM](http://HAIERAMERICA.COM) OU CONTACTER LA LIGNE D'ASSISTANCE À LA CLIENTÈLE AU 1-877-337-3639.



# GARANTIE LIMITÉE

## 12 mois sur les pièces et la main-d'œuvre

Durant les 12 mois suivant la date d'achat d'origine au détail, GE Appliances remplacera toute pièce du réfrigérateur présentant une défectuosité en raison d'un vice de matière ou de fabrication. Le choix entre le remplacement ou la réparation de l'appareil défectueux sera à la discrétion de GE Appliances. Dans le cas où GE Appliances déciderait de réparer l'appareil défectueux, GE Appliances fournira toute pièce défectueuse en raison d'un vice de matière ou de fabrication, et assumera les frais de main-d'œuvre et de service associés à réparation de la pièce. Advenant une décision de remplacer l'appareil durant cette période, GE Appliances pourrait procéder en vous fournissant un certificat échangeable auprès d'un détaillant contre un produit de remplacement.

Le produit doit être accessible, dégagé et installé correctement pour bénéficier du service de réparation sous garantie.

**REMARQUE :** Cette garantie prend effet à la date à laquelle l'article a été acheté et le reçu de l'achat d'origine doit être présenté au représentant de dépannage autorisé avant qu'une quelconque réparation sous garantie ne soit effectuée.

## SERVICE AU TITRE DE LA GARANTIE

**Aux États-Unis,** toutes les réparations sous garantie doivent être réalisées par nos Factory Service Centers ou un technicien. Pour programmer un entretien/réparation, visitez [HaierAppliances.com](http://HaierAppliances.com). Au Canada, visitez [HaierAppliances.ca](http://HaierAppliances.ca).

Veuillez avoir votre numéro de série et votre numéro de modèle à portée de main lorsque vous appelez pour obtenir un service.

**EXCLUSION DES GARANTIES TACITES :** Votre recours exclusif est l'échange du produit suivant les modalités de la Garantie Limitée. Toutes garanties tacites, y compris les garanties de valeurs marchandes ou d'adéquation à des fins particulières, sont limitées à une durée d'un an ou à la durée la plus courte autorisée par la loi.

**Pour les clients des États-Unis :** Cette garantie est étendue à l'acheteur d'origine et aux propriétaires suivants pour tout produit acheté pour une utilisation domestique aux États-Unis. Si le produit est installé dans une région où ne se trouve aucun réparateur autorisé GE Appliances, vous devrez peut-être assumer les frais de transport ou apporter l'appareil à un centre de service autorisé GE Appliances. En Alaska, cette garantie exclut le coût d'expédition ou de dépannage à votre domicile.

Certains états n'acceptent pas d'exclusion ou de limites aux dommages indirects consécutifs. Certains droits particuliers vous sont dévolus en vertu de la présente garantie et peuvent s'accompagner d'autres droits qui varient selon votre lieu de résidence. Pour connaître vos droits juridiques, veuillez consulter le bureau local ou le bureau d'état des affaires aux consommateurs ou le Procureur Général de votre état.

### Garant US:

**GE Appliances, a Haier company**  
Louisville, KY 40225

**Pour les clients des Canada :** Cette garantie est étendue à l'acheteur d'origine et aux propriétaires suivants pour tout produit acheté aux Canada pour une utilisation domestique aux Canada. Le service à domicile en vertu de la garantie sera fourni dans les régions où il est disponible et où Mabe estime raisonnable de le fournir.

### Garant Canada:

**MC Commercial, Burlington, Ontario, L7R 5B6**

## Cette garantie ne couvre pas :

Toute visite à votre domicile pour vous expliquer le fonctionnement de l'appareil.

Mauvaise installation, livraison ou entretien.

Toute défectuosité du produit lorsqu'il est utilisé de façon abusive, ou à des fins commerciales ou à toute autre fin que celle pour laquelle il a été conçu.

Perte des aliments due à la détérioration.

Domage subi après la livraison.

Remplacement des ampoules de lampe.

Le remplacement des fusibles ou le réenclenchement des disjoncteurs.

Tout dommage au produit attribuable à un accident, un incendie, une inondation ou un cas de force majeure.

Tout dommage direct ou indirect attribuable à une défectuosité éventuelle de l'appareil.

Le service s'il est impossible d'avoir accès au produit pour ce faire.

Les coûts associés lorsque GE Appliances choisit d'émettre un certificat échangeable contre un produit de remplacement

Les dommages à la finition, comme de la rouille sur la surface, un ternissement ou de petites taches non signalées dans les 48 heures suivant la livraison.

Les produits qui ne sont pas défectueux, brisés ou qui fonctionnent comme décrit dans le guide de l'utilisateur.

# DOCUMENTS À CONSERVER

Merci d'avoir acheté ce produit Haier. Ce manuel d'utilisation vous aidera à obtenir la meilleure performance possible de votre nouveau réfrigérateur.

Pour référence ultérieure, inscrire le numéro de plaque signalétique et la date d'achat. La plaque signalétique est située sur une étiquette à l'intérieur du réfrigérateur.

Pour faciliter l'obtention d'un service sous garantie,agrafer la preuve de la date d'achat à ce manuel.

\_\_\_\_\_  
Numéro de modèle

\_\_\_\_\_  
Numéro de série

\_\_\_\_\_  
Date d'achat

# ÍNDICE

<b>SEGURIDAD DEL REFRIGERADOR</b> .....	<b>44</b>
Cómo deshacerse adecuadamente de su aparato refrigerador viejo .....	45
<b>PIEZAS Y CARACTERÍSTICAS</b> .....	<b>46</b>
<b>REQUISITOS DE INSTALACIÓN</b> .....	<b>47</b>
Requisitos de ubicación .....	47
Conexión de la electricidad .....	47
<b>INSTRUCCIONES DE INSTALACIÓN</b> .....	<b>48</b>
Desempaque el refrigerador .....	48
Nivelación del refrigerador .....	48
Circulación correcta de aire .....	48
Alineación de la puerta .....	49
Cómo abrir y cerrar las puertas .....	49
<b>USO DEL REFRIGERADOR</b> .....	<b>50</b>
Controles .....	50
Características .....	52
Congelador .....	52
<b>CUIDADO DEL REFRIGERADOR</b> .....	<b>53</b>
Limpieza .....	53
Luces .....	53
Vacaciones y mudanzas .....	53
Cómo volver a instalar o usar el refrigerador nuevamente .....	54
<b>ACCESORIO</b> .....	<b>55</b>
Instalación de la Máquina de Hielo .....	55
<b>SOLUCIÓN DE PROBLEMAS</b> .....	<b>59</b>
<b>GARANTÍA LIMITADA</b> .....	<b>61</b>
<b>INFORMACIÓN A TENER EN CUENTA</b> .....	<b>62</b>

# SEGURIDAD DEL REFRIGERADOR

**⚠ ADVERTENCIA** A fin de reducir el riesgo de incendio, explosión, descargas eléctricas o lesiones al usar su refrigerador, siga estas precauciones básicas de seguridad:

- Este refrigerador se deberá instalar y ubicar adecuadamente de acuerdo con las Instrucciones de Instalación antes de ser usado.
- Desenchufe el refrigerador antes de hacer reparaciones, reemplazar una lámpara de luz o hacer una limpieza.  
Nota: La corriente que va al refrigerador no puede ser desconectada por ninguna configuración del panel de control.  
Nota: Las reparaciones deberán ser realizadas por un Profesional del Servicio Técnico calificado.
- Reemplace todas las piezas y paneles antes del uso.
- No use un prolongador.
- No guarde ni use gasolina u otros vapores inflamables y líquidos cerca de este ni de otro electrodoméstico.
- No guarde sustancias explosivas tales como latas de aerosoles con propelentes inflamables en este electrodoméstico.
- A fin de evitar riesgos de que los niños sufran asfixia o queden atrapados, retire las puertas de comidas frescas y del freezer de cualquier refrigerador antes de deshacerse o dejar de usar el mismo.
- Los niños y las personas con capacidad física, sensorial o mental reducida o con falta de experiencia y conocimiento podrán usar este electrodoméstico sólo si son supervisados o les fueron dadas instrucciones sobre un uso seguro y entienden los riesgos involucrados.
- Este electrodoméstico fue diseñado para uso hogareño y para aplicaciones similares tales como: áreas de personal de cocina en tiendas, oficinas y otros espacios laborales; casas de campo; por clientes en hoteles, moteles, hostales y otros espacios residenciales, catering y aplicaciones no minoristas similares.
- No aplique limpiadores ásperos sobre el refrigerador. Ciertos limpiadores dañarán el plástico, lo cual podrá hacer que ciertas piezas tales como la puerta o las manijas de las puertas se separen de forma inesperada. Para acceder a instrucciones detalladas, consulte la sección de Cuidado y Limpieza del Manual del Propietario.

**⚠ PRECAUCIÓN** A fin de reducir el riesgo de lesiones al usar el refrigerador, siga estas precauciones básicas.

- No limpie estantes de vidrio ni tapas con agua caliente cuando estén fríos. Los estantes de vidrio y las tapas se pueden romper si son expuestos a cambios de temperatura repentinos o impactos, tales como sacudones o caídas. El vidrio templado está diseñado para destruirse en pequeñas piezas en caso de rotura.
- Mantenga los dedos fuera de los espacios de "riesgo de lastimaduras"; los despejes entre las puertas y entre las puertas y el gabinete son necesariamente pequeños. Tenga el cuidado de cerrar las puertas cuando los niños se encuentren en el área.
- No toque las superficies frías del compartimiento del freezer cuando las manos estén húmedas o mojadas, ya que la piel se podrá adherir a estas superficies extremadamente frías.
- No vuelva a congelar comidas que hayan estado totalmente congeladas en forma previa.
- En refrigeradores con máquinas de hielo automáticas, evite el contacto con las partes móviles del mecanismo eyector o con el elemento de calefacción que libera los cubos. No coloque los dedos ni las manos en el mecanismo automático de la máquina de hielo mientras el refrigerador esté enchufado.

**⚠ ADVERTENCIA**  **RIESGO DE EXPLOSIÓN Refrigerante Inflamable**

**Este electrodoméstico cuenta con refrigerante isobutano, R600a, un gas natural con alto nivel de compatibilidad medioambiental. Sin embargo, también es combustible. Siga las advertencias que figuran a continuación, a fin de reducir el riesgo de lesiones o daños sobre la propiedad.**

1. Al manipular, instalar y usar el electrodoméstico, se deberá tener cuidado para evitar dañar la tubería del refrigerante.
2. El servicio técnico sólo deberá ser realizado por personal autorizado del servicio. Use sólo piezas del servicio autorizadas por el fabricante.
3. Descarte el electrodoméstico de acuerdo con las Regulaciones Federales y Locales. El refrigerante inflamable y el material aislante inflamable usados requieren procedimientos de descarte especiales. Comuníquese con las autoridades locales para descartar su electrodoméstico de forma ambientalmente segura.
4. Mantenga las aberturas de ventilación, en el espacio de protección del electrodoméstico o en la estructura empotrada, libres de obstrucción.
5. No use dispositivos mecánicos u otros medios para acelerar el proceso de descongelación.
6. No dañe el circuito del refrigerante.
7. No use dispositivos eléctricos dentro del compartimiento de almacenamiento de comida del electrodoméstico.

# SEGURIDAD DEL REFRIGERADOR

## CONEXIÓN DE LA ELECTRICIDAD

### ⚠️ ADVERTENCIA



### RIESGO DE DESCARGA ELÉCTRICA

Enchufe el electrodoméstico en un tomacorriente con conexión a tierra de 3 cables.  
No elimine el cable de conexión a tierra.  
No use un adaptador.

No use un prolongador.  
Si no se siguen estas instrucciones, se podrá producir la muerte, incendios o descargas eléctricas.

**Nunca, bajo ninguna circunstancia, corte o elimine el tercer cable (tierra) del cable de corriente. Por seguridad personal, este electrodoméstico deberá estar adecuadamente conectado a tierra.**

El cable de corriente de este electrodoméstico contiene un enchufe de 3 cables (conexión a tierra) que se conecta a un tomacorriente de pared estándar de 3 cables (conexión a tierra) para minimizar la posibilidad de riesgos de descargas eléctricas por parte del mismo.

Contrate a un electricista calificado para que controle el tomacorriente y el circuito eléctrico, a fin de asegurar que el enchufe esté correctamente conectado a tierra.

En caso de contar con un tomacorriente de pared de 2 cables, es su responsabilidad y obligación reemplazarlo por un tomacorriente de pared de 3 cables correctamente conectado a tierra. No use un adaptador.

El refrigerador deberá estar siempre conectado a un enchufe específico con un índice de voltaje equivalente al que figura en su etiqueta de características técnicas.

Se requiere un suministro eléctrico con fusible y conexión a tierra de 115 voltios de CA, 60 Hz, 15 o 20 amperes. Esto garantiza el mejor funcionamiento y además previene la sobrecarga de los circuitos del hogar, lo cual podría ocasionar riesgos de incendio debido al recalentamiento de cables.

Nunca desenchufe el refrigerador tirando del cable de corriente. Siempre tome su enchufe de manera firme y empuje el mismo hacia afuera para retirarlo.

Inmediatamente interrumpa el uso de un cable de suministro de corriente dañado. Si el cable de corriente se encuentra dañado, su reemplazo deberá ser realizado por un profesional calificado del servicio técnico, utilizando una pieza del servicio técnico autorizada por el fabricante.

Al alejar el refrigerador de la pared, se deberá tener cuidado de que no ruede sobre ni dañe el cable de corriente.

## DISPOSICIÓN APROPIADA DE SU ANTIGUO APARATO

### ⚠️ ADVERTENCIA

### PELIGRO DE ATRAPAMIENTO Y ASFIXIA

El incumplimiento de estas instrucciones de eliminación puede causar la muerte o lesiones graves.

**IMPORTANTE:** El atrapamiento y asfixia de niños no es un problema del pasado. Un aparato refrigerador desechado y abandonado es un peligro, aún si va a quedar ahí "por unos pocos días". Si usted está por deshacerse de su aparato refrigerador viejo, siga las instrucciones a continuación para evitar accidentes.

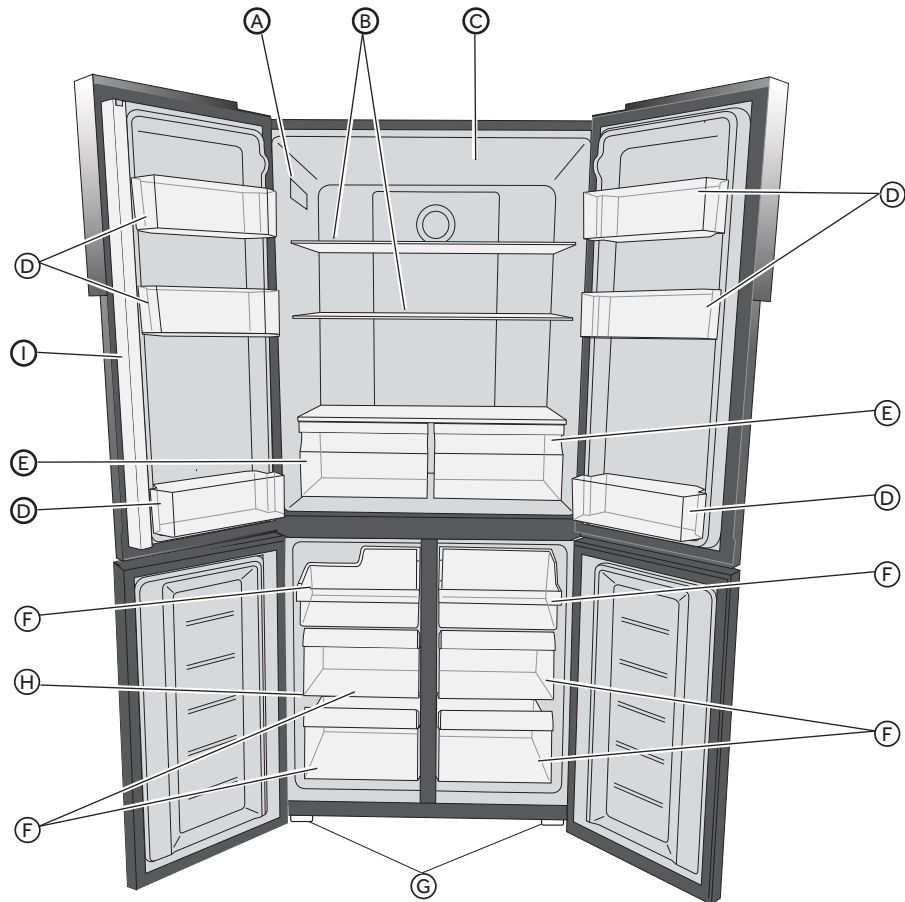
#### Antes de descartar su aparato refrigerador viejo:

- Retire las puertas del Refrigerador y del Freezer.
- Deje los estantes en su lugar así los niños no pueden meterse adentro con facilidad.

#### Cómo Eliminar Refrigerantes y Gomaespumas:

Descarte el electrodoméstico de acuerdo con las Regulaciones Federales y Locales. El refrigerante inflamable y el material aislante inflamable usados requieren procedimientos de descarte especiales. Comuníquese con las autoridades locales para descartar su electrodoméstico de forma ambientalmente segura

# PIEZAS Y CARACTERÍSTICAS



- Ⓐ Placa con el número de modelo y de serie
- Ⓑ Estante de vidrio
- Ⓒ Luce
- Ⓓ Recipiente de la puerta
- Ⓔ Vegetales/ Cajón
- Ⓕ Cajón del congelador (4)
- Ⓖ Patas niveladoras
- Ⓗ Estante del congelador
- Ⓘ Montante de Articulación

# REQUISITOS DE INSTALACIÓN

## ANTES DE EMPEZAR

Lea estas instrucciones completa y cuidadosamente.

- **IMPORTANTE** – Guarde estas instrucciones para uso del inspector local.
- **IMPORTANTE** – Observe todos los códigos y órdenes de ley.
- **Nota al instalador** – Asegúrese de dejar estas instrucciones con el consumidor.
- **Nota al consumidor** – Conserve estas instrucciones para referencia futura.
- **Nivel de destreza** – La instalación de este aparato requiere de destrezas mecánicas básicas.
- **Tiempo de ejecución** — Instalación del refrigerador 15 minutos
- La instalación apropiada es la responsabilidad del instalador.
- La falla del producto debido a una instalación inadecuada no está cubierta por la garantía.

## REQUISITOS DE UBICACIÓN

### ⚠ ADVERTENCIA



#### Peligro de Explosión o Incendio

Mantenga los materiales y vapores inflamables, tales como gasolina, alejados del aparato.

No seguir esta instrucción puede ocasionar la muerte, explosión, o incendio.

**IMPORTANTE:** Este refrigerador se ha diseñado para instalarse de forma independiente únicamente. No debe estar empotrado ni integrado en un armario cerrado. Para asegurarse de que el refrigerador funciona con la máxima eficiencia, lo debe instalar en una ubicación donde haya circulación de aire y conexiones eléctricas adecuadas.

### CÓMO INSTALAR EL REFRIGERADOR

- No instale el refrigerador donde la temperatura llegue a ser inferior a los 55°F (13°C), ya que no se activará con la frecuencia necesaria para mantener las temperaturas apropiadas.
- No instale el refrigerador donde la temperatura sea superior a los 110°F (43°C), ya que no funcionará de forma correcta.
- Instale el mismo en un piso lo suficientemente fuerte como para soportarlo completamente cargado.
- No instale el refrigerador en una ubicación expuesta al agua (lluvia, etc.) o en contacto directo con la luz solar.

# INSTRUCCIONES DE INSTALACIÓN

## DESEMPAQUE EL REFRIGERADOR

### ⚠ ADVERTENCIA



**Peligro de Explosión o Incendio**

**No perforo el tubo refrigerante.**

**Siga con cuidado las instrucciones de manipulación.**

**El refrigerante usado es inflamable.**

**No seguir esta instrucción puede ocasionar la muerte, explosión, o incendio.**

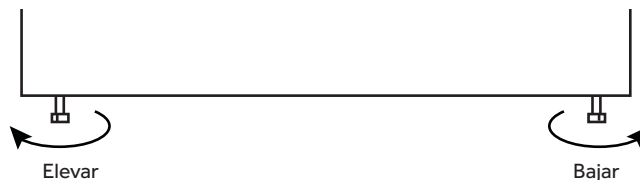
**IMPORTANTE:** Tenga cuidado al mover el refrigerador para evitar dañar el tubo refrigerante o aumentar el riesgo de fuga.

**IMPORTANTE:** Cuando lo mueva, nunca incline el refrigerador en un ángulo superior a los 45°. Esto podría dañar el compresor y el sistema sellado. Si el refrigerador ha sido colocado en posición horizontal durante algún período de tiempo, espere 30 minutos antes de enchufarlo para permitir que el refrigerante se asiente.

1. Retire los materiales del embalaje. Esto incluye la base corrugada y toda la cinta adhesiva que sostiene los accesorios internos y externos del refrigerador.
2. Inspeccione y retire cualquier resto de embalaje, cinta o materiales impresos antes de encender el refrigerador.
3. Si su refrigerador posee puertas lisas o de acero inoxidable, por favor retire la película transparente antes de encenderlo por primera vez. Al retirar la película, no tire de la misma hacia abajo ya que esto podrá resultar en la desalineación de las puertas.
4. Es normal que la puerta del freezer sea posicionada un poco más arriba que la parte superior del gabinete, cuando el refrigerador es instalado por primera vez. Este posicionamiento viene configurado de fábrica, a fin de asegurar un sellado correcto de las juntas cuando se genere peso en la puerta por la colocación de productos alimenticios.

## NIVELACIÓN DEL REFRIGERADOR

- El refrigerador cuenta con dos patas niveladoras que se encuentran ubicadas en las esquinas frontales inferiores del mismo. Luego de colocar correctamente el refrigerador en su posición final, podrá nivelar el mismo.
- Las patas niveladoras pueden ser ajustadas girando éstas en dirección de las agujas del reloj para elevar el refrigerador, o en dirección contraria de las agujas del reloj para bajar el mismo. La puerta del refrigerador se cerrará más fácilmente cuando las patas niveladoras sean extendidas.



## CIRCULACIÓN CORRECTA DE AIRE

- A fin de asegurar que su refrigerador funciona en el nivel de eficiencia máximo para el cual fue diseñado, deberá instalar el mismo en una ubicación donde haya una apropiada circulación de aire, tuberías y conexiones eléctricas. Este refrigerador no fue diseñado para funcionar en temperaturas inferiores a 60°F (16°C) o superiores a 110°F (43°C).
- No instale el refrigerador en una ubicación que no se encuentre correctamente aislada o calentada; por ejemplo: garaje, etc. Manténgalo alejado del contacto directo con la luz del sol y alejado de fuentes de calor tales como radiadores, calentadores, o electrodomésticos de cocina.
- Se recomienda dejar los siguientes espacios en torno al refrigerador:

Laterales	0" (0 mm)	Parte Superior	1" (25 mm)
Parte Trasera	2" (50mm)		



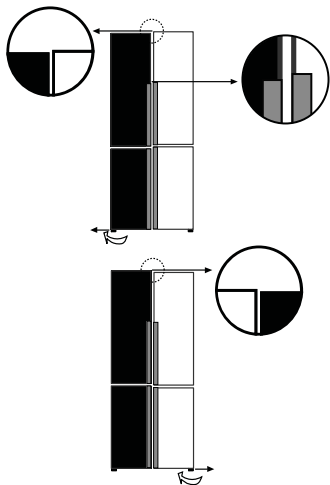
# INSTRUCCIONES DE INSTALACIÓN

## CÓMO ALINEAR LAS PUERTAS (si es necesario)

Si los bordes de las puertas del refrigerador no están alineados, puede regularlos:

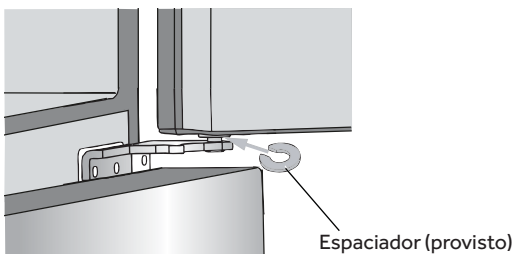
### Uso de la pata regulable

- Gire la pata regulable para subir o bajar ese lado del refrigerador.
- En el sentido de las agujas del reloj - para subir
- En sentido contrario a las agujas del reloj - para bajar



### Uso de espaciadores (provistos)

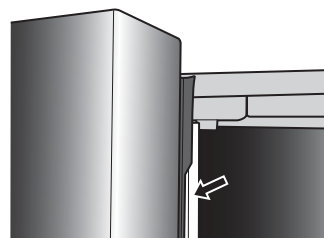
- Abra la puerta. Con la puerta abierta, levante la puerta hacia arriba.
- Con la ayuda de su mano o pinzas, sujete el espaciador (provisto) en el pasador de la bisagra central.



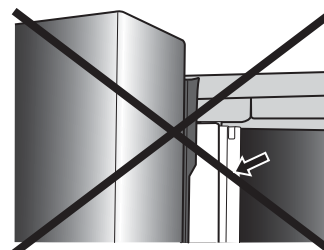
## CÓMO ABRIR Y CERRAR LAS PUERTAS

El compartimento del refrigerador tiene dos puertas. Las puertas pueden abrirse y cerrarse ya sea en forma separada o juntas.

- Hay un montante de articulación sobre la puerta izquierda del refrigerador.
- Al cerrar la puerta izquierda del refrigerador, el montante se pliega detrás de la puerta derecha uniendo las dos puertas del refrigerador.
- Hay un elemento de calefacción dentro del marco que ayuda a evitar el desarrollo de humedad sobre el montante. La temperatura de la superficie podría estar tibia, lo cual es normal, y no afectará el rendimiento del refrigerador.

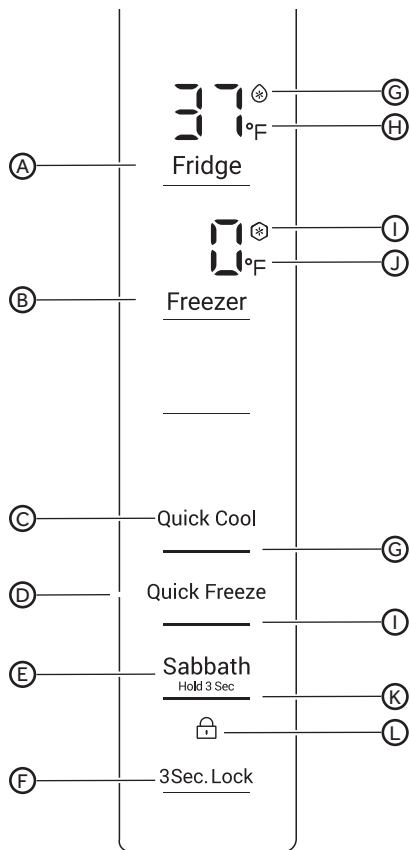


**NOTA:** Antes de cerrar la puerta izquierda, asegúrese de que el montante de articulación esté plegado hacia adentro. Si el montante es empujado hacia afuera, se podrá dañar cuando intente cerrar la puerta.



# USO DE SU REFRIGERADOR

## CONTROLES



- Ⓐ Botón de control de la temperatura del refrigerador
- Ⓑ Botón de control de la temperatura del congelador
- Ⓒ Botón Quick Cool (Enfriamiento rápido)
- Ⓓ Botón Quick Freeze (Congelamiento rápido)
- Ⓔ Botón Sabbath (Día de descanso)
- Ⓕ Botón Lock (Bloqueo)
- Ⓖ Indicador Quick Cool (Enfriamiento rápido)
- Ⓗ La temperatura del refrigerador se muestra en °F en el indicador
- Ⓛ Indicador Quick Freeze (Congelamiento rápido)
- Ⓜ La temperatura del congelador se muestra en °F en el indicador
- Ⓚ Indicador de modo Sabbath (Día de descanso)
- Ⓛ Indicador de bloqueo

## BOTONES TÁCTILES

Los controles son touch pads, reaccionando cuando se tocan.

## BLOQUEO DEL PANEL DE CONTROL

El panel de control se bloquea automáticamente después de 30 segundos de no uso. Debe estar desbloqueado para modificar cualquier ajuste. Para cambiar los ajustes, el panel de control debe estar desbloqueado.

### Para bloquear el panel de control:

Mantenga presionado LOCK (Bloqueo) durante 3 segundos. El indicador de bloqueo se apagará.

Hold 3 Sec

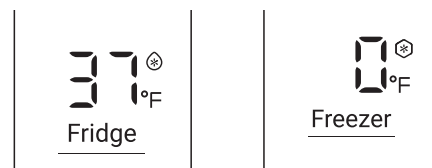


### Para desbloquear el panel de control:

Mantenga presionado LOCK (Bloqueo) durante 3 segundos. El indicador de bloqueo se apagará.

3Sec. Lock

## PANTALLA DE TEMPERATURA



Cuando no se utilizan los botones ni las puertas durante 30 segundos, se apagarán todas las luces LED en la pantalla del panel.

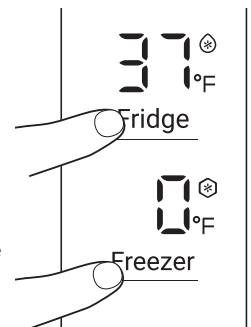
Cuando se presiona un botón o se abre una puerta, todas las luces LED en la pantalla del panel se iluminarán.

## SELECTOR DE UNIDADES

La función de selector de unidades le permite elegir entre mostrar la temperatura programada en grados Fahrenheit (°F) o grados Celsius (°C).

La unidad de temperatura predeterminada es grados Fahrenheit.

1. Si está bloqueado, desbloquee el panel de control manteniendo presionado el botón **LOCK** (Bloqueo) durante 3 segundos.
2. Mantenga presionado los botones **FRIDGE** (Refrigerador) y **FREEZER** (Congelador) al mismo tiempo durante 3 segundos. Aparecerá °C junto a la pantalla de temperatura para indicar que la unidad se ha cambiado a grados Celsius.
3. Para volver a mostrar la temperatura programada en grados Fahrenheit, mantenga presionado **FRIDGE** (Refrigerador) y **FREEZER** (Congelador) al mismo tiempo durante 3 segundos. El símbolo °C desaparecerá de la pantalla de temperatura.



# USO DE SU REFRIGERADOR

## CONTROLES (Suite)

### CONTROLES DE TEMPERATURA

El rango de temperatura para el compartimiento del refrigerador es de 34 °F a 42 °F (1 °C a 6 °C). El rango de temperatura para el compartimiento del congelador es de -6 °F a 6 °F (-21 °C a -14 °C).

El compartimiento del refrigerador está prefijado en la temperatura recomendada de 37 °F (3 °C) y el compartimiento del congelador está prefijado en la temperatura recomendada de 0 °F (-18 °C). Cuando el refrigerador se conecta por primera vez, la pantalla mostrará los ajustes de temperatura recomendados.

#### IMPORTANTE:

- El ajuste recomendado debe ser el correcto para un uso doméstico normal del refrigerador.
- Cuando el refrigerador se enciende por primera vez, puede tardar hasta 12 horas para enfriar hasta las temperaturas prefijadas. Espere 24 horas para que el refrigerador se enfríe completamente antes de agregar alimentos. Si agrega alimentos antes de que el refrigerador se haya enfriado por completo, podrían echarse a perder.
- Si la temperatura está demasiado elevada o demasiado baja en el refrigerador o en el congelador, antes de regular los controles, revise primero los ductos de ventilación para cerciorarse de que no estén obstruidos.

#### Cómo ajustar los controles

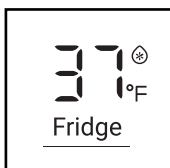
No ajuste ningún control de temperatura en más de un ajuste por vez, excepto cuando encienda el refrigerador. Espere 24 horas entre los ajustes para que se establezca la temperatura.

**NOTA:** No se puede regular la temperatura si está activada otra función de control como Quick Freeze (Congelamiento rápido), Quick Cool (Enfriamiento rápido) o modo Sabbath (Día de descanso) o está bloqueado el panel de control. El indicador correspondiente se iluminará y sonará un tono.

#### Para regular la temperatura del refrigerador:

1. Si está bloqueado, desbloquee el panel de control manteniendo presionado el botón LOCK (Bloqueo) durante 3 segundos.
2. Presione el botón Fridge (Refrigerador) para regular la temperatura.

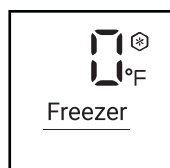
**NOTA:** La temperatura disminuye en un grado y suena un tono cada vez que presiona el botón. Después de 5 segundos sin que se presione un botón, el ajuste de temperatura se confirma de forma automática.



#### Para regular la temperatura del congelador:

1. Si está bloqueado, desbloquee el panel de control manteniendo presionado el botón LOCK (Bloqueo) durante 3 segundos.
2. Presione el botón Freezer (Congelador) para regular la temperatura.

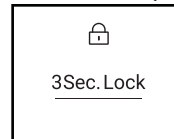
**NOTA:** La temperatura disminuye en un grado y suena un tono cada vez que presiona el botón. Después de 5 segundos sin que se presione un botón, el ajuste de temperatura se confirma de forma automática.



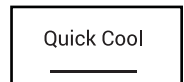
### ENFRIAMIENTO RÁPIDO

La función Quick Cool (Enfriamiento rápido) acelera el enfriamiento de los alimentos frescos y protege los alimentos ya almacenados del calentamiento no deseado.

1. Si está bloqueado, desbloquee el panel de control manteniendo presionado el botón LOCK (Bloqueo) durante 3 segundos.



2. Presione el botón Quick Cool (Enfriamiento rápido). Los indicadores de Quick Cool (Enfriamiento rápido) se iluminarán.
3. Repita los pasos 1 y 2 para apagar de forma manual la función Quick Cool (Enfriamiento rápido).

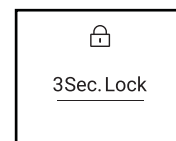


**NOTA:** Quick Cool (Enfriamiento rápido) se apagará de forma automática después de 3 horas.

### CONGELAMIENTO RÁPIDO

La función Quick Freeze (Congelamiento rápido) acelera el congelamiento de los alimentos frescos y protege los alimentos congelados del calentamiento no deseado. Si necesita congelar una gran cantidad de alimentos, se recomienda seleccionar la función Quick Freeze (Congelamiento rápido) un par de horas antes.

1. Si está bloqueado, desbloquee el panel de control manteniendo presionado el botón LOCK (Bloqueo) durante 3 segundos.



2. Presione el botón Quick Freeze (Congelamiento rápido). Los indicadores de Quick Freeze (Congelamiento rápido) se iluminarán.
3. Repita los pasos 1 y 2 para apagar manualmente la función Quick Freeze (Congelamiento rápido).



**NOTA:** Quick Freeze (Congelamiento rápido) se apagará automáticamente después de 50 horas.

# USO DE SU REFRIGERADOR

## CONTROLES (Suite)

### DÍA DE DESCANSO

La función Sabbath (Día de descanso) ha sido diseñada para aquellas personas cuyas prácticas religiosas requieren apagar las luces. Se desactivarán todas las luces interiores y las alarmas.

1. Si está bloqueado, desbloquee el panel de control manteniendo presionado el botón LOCK (Bloqueo) durante 3 segundos.
2. Mantenga presionado SABBATH (Día de descanso) durante 3 segundos hasta que se ilumine el indicador Sabbath (Día de descanso).

Sabbath  
Hold 3 Sec

#### NOTAS:

- Se desactivarán todas las luces y los tonos de alerta.
  - Si estaba activada la función Quick Cool (Enfriamiento rápido) y Quick Freeze (Congelamiento rápido), el modo Sabbath (Día de descanso) desactiva estas funciones de forma automática.
  - El panel de control permanecerá desbloqueado mientras se encuentre en el modo Sabbath (Día de descanso).
3. Para quitar la selección del modo Sabbath (Día de descanso), mantenga presionado el botón SABBATH (Día de descanso) durante 3 segundos.

### ALARMA DE LA PUERTA

Cuando la puerta del refrigerador está abierta durante más de 3 minutos, se escuchará la alarma de puerta abierta. La alarma se puede apagar cerrando la puerta. Si se deja la puerta abierta por más de 7 minutos, la luz interior del refrigerador se apagará automáticamente.

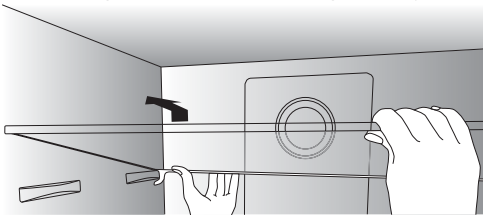
## CARACTERÍSTICAS

### REFRIGERADOR

#### ESTANTES REGULABLES

La altura de los estantes se puede regular para adaptarse a sus necesidades de almacenamiento.

1. Para quitar un estante, levante la parte frontal y el borde posterior para desenganchar los ganchos del estante de los soportes del estante a lo largo de la pared del refrigerador y quitarlo.

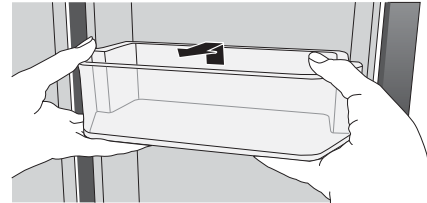


2. Para volver a instalar un estante, colóquelo en los soportes frontales y traseros. Empuje el estante hacia la parte trasera del refrigerador hasta la parte posterior de los ganchos del estante alrededor de los soportes del estante trasero.

### RECIPIENTES DE LA PUERTA DESMONTABLES

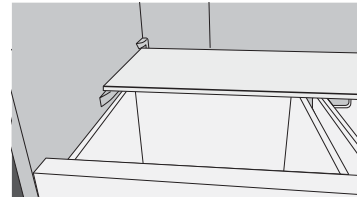
Para quitar y volver a colocar un recipiente de la puerta:

1. Coloque las manos a ambos lados del recipiente y levántelo hacia arriba.
2. Jale hacia afuera el recipiente de la puerta.
3. Para volver a colocar un recipiente de la puerta, insértelo por encima del soporte y presione hacia abajo para que encaje en su lugar.



### CAJONES DE VEGETALES

Estos cajones podrán ser usados para almacenar vegetales y frutas. Para retirarlo, empuje el cajón de forma recta hacia afuera.



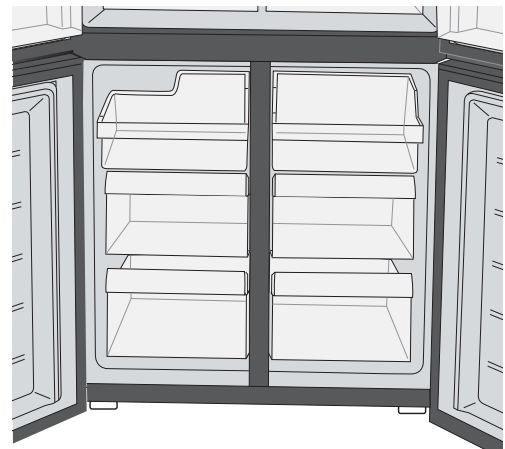
## CONGELADOR

El compartimiento del freezer cuenta con 6 cajones. Los cajones superior e intermedio se podrán retirar para convertir la tapa del cajón inferior en una repisa de almacenamiento de productos altos.

Si instalará una máquina de hielo en esta unidad, el cajón superior izquierdo se usará como cesto de almacenamiento de hielo.

Para quitar/reemplazar el cajón del congelador:

1. Jale hacia afuera el cajón hasta su máxima extensión.
2. Levante para quitar el cajón.
3. Siga los pasos del 1 al 2 en sentido inverso para volver a colocar el cajón.



# USO DE SU REFRIGERADOR

## LIMPIEZA

Tanto las secciones del refrigerador como la del congelador se descongelan automáticamente. No obstante, limpie ambas secciones más o menos una vez al mes para evitar la acumulación de olores. Limpie los derrames de inmediato.

Debido a que el aire circula entre ambas secciones, cualquier olor que se forma en una sección pasará a la otra. Debe limpiar bien ambas secciones para eliminar los olores. Para evitar la transferencia de olores y la deshidratación de los alimentos, envuelva o tape bien los alimentos.

### IMPORTANTE:

- No use productos químicos fuertes, amoníaco, blanqueador con cloro, detergente concentrado, solventes o estropajos de metal o abrasivos para limpiar su refrigerador por dentro o por fuera. Estos pueden dañar o decolorar el acabado del refrigerador.

### ⚠ PRECAUCIÓN

No limpie los estantes y tapas de vidrio con agua caliente mientras estén fríos. Los estantes y tapas pueden romperse si se exponen a cambios bruscos de temperatura o a impactos como golpes bruscos. El vidrio templado se ha diseñado para hacerse añicos. Esto es normal. Los estantes y tapas de vidrio son muy pesados. Use ambas manos al quitarlos para evitar que se caigan.

### ⚠ ADVERTENCIA



#### Peligro de choque eléctrico

Desenchufe el aparato o desconecte el suministro de energía antes de limpiarlo.

No seguir esta instrucción puede ocasionar la muerte, choque eléctrico o daños personales.

1. Desenchufe el refrigerador o desconecte el suministro de energía.
2. Limpie el interior. Lave a mano, enjuague y seque bien todas las piezas removibles y las superficies interiores. Use una esponja limpia o un paño liso y un detergente suave en agua tibia.
3. Limpie las superficies exteriores.

**Metal pintado:** Limpie el exterior de metal pintado con un paño limpio y liso, o una esponja y detergente suave en agua tibia. Enjuague las superficies con agua tibia limpia y séquelas inmediatamente para evitar las manchas de agua.

**Acero inoxidable:** El acero inoxidable es resistente a la corrosión y no a prueba de corrosión. Para ayudar a evitar la corrosión del acero inoxidable, lave las superficies de acero inoxidable con un paño limpio y liso o una esponja y un detergente suave en agua tibia. Enjuague las superficies con agua tibia limpia y séquelas inmediatamente para evitar las manchas de agua.

**NOTA:** Cuando limpie el acero inoxidable, siempre hágalo en la dirección de la veta para evitar rayas perpendiculares a esta.

4. Limpie las juntas de la puerta cada 3 meses. Lave las juntas con un paño suave o una esponja limpia y detergente suave disuelto en agua tibia. Enjuague bien y seque por completo. Aplique un poco de petrolato en el lado de las bisagras de las juntas para mantener la junta flexible y asegurar un buen sellado.

**NOTA:** Con empaques limpios las puertas sellarán mejor que con empaques sucios.

5. Enchufe el refrigerador o vuelva a conectar el suministro de energía.

## LUCES

Las luces del interior del refrigerador se apagan cuando las puertas están abiertas durante más de 7 minutos.

**IMPORTANTE:** El refrigerador está equipado con luces LED. Estas luces se diseñaron para durar toda la vida útil del refrigerador. Sin embargo, si las luces dejan de funcionar, llame a un técnico calificado para su reemplazo.

## VACACIONES Y MUDANZAS

### VACACIONES

**Si usted decide dejar el refrigerador funcionando mientras está ausente:**

1. Use todos los artículos perecederos y congele el resto.

**Si decide apagar el refrigerador antes de irse:**

1. Quite toda la comida del refrigerador y del congelador.
2. Desenchufe el refrigerador o desconecte el suministro de energía.
3. Limpie el refrigerador, pásele un trapo y séquelo bien.
4. Fije bloques de goma o de madera con cinta adhesiva en la parte superior de ambas puertas para que queden abiertas y el aire circule. Esto evita que se formen olores y se desarrollen hongos.

# CUIDADO DEL REFRIGERADOR

## VACACIONES Y MUDANZAS (Suite)

### MUDANZA

**IMPORTANTE:** Al mover el refrigerador, manipúlelo con cuidado para evitar daños en el tubo refrigerante o incrementar los riesgos de fugas.

#### **⚠ ADVERTENCIA**

##### **Excessive Weight Hazard**

**Use two or more people to move and install refrigerator.**

**Failure to do so can result in back or other injury.**

Si Ud. muda su refrigerador a una casa nueva, siga estos pasos para prepararse para la mudanza.

1. Saque todos los alimentos del refrigerador y empaque todos los alimentos congelados en hielo seco.
2. Desenchufe el refrigerador.
3. Limpie, enjuague y seque bien.
4. Saque todas las piezas removibles, envuélvalas bien y asegúrelas con cinta adhesiva para que no se muevan ni se sacudan durante la mudanza.
5. Levante las patas niveladoras para que no dañen el piso. Vea "Nivelación".
6. Sostenga las puertas para que queden cerradas y el cable pegado a la parte posterior del refrigerador con cinta adhesiva. Cuando llegue a la casa nueva, coloque todo de nuevo en su sitio y lea la sección "Instrucciones de instalación" para obtener instrucciones de preparación.

## CÓMO VOLVER A INSTALAR O USAR EL REFRIGERADOR NUEVAMENTE

Si el refrigerador ha permanecido en posición horizontal o inclinada durante algún tiempo, espere 2 a 5 horas antes de enchufarlo para dejar que el aceite se asiente en el compresor.

1. Limpie el refrigerador. Vea "Limpieza".
2. Coloque el refrigerador en la ubicación deseada y nivélelo. Vea "Instrucciones de instalación".
3. Enchufe el aparato a un tomacorriente de 3 terminales con conexión a tierra.

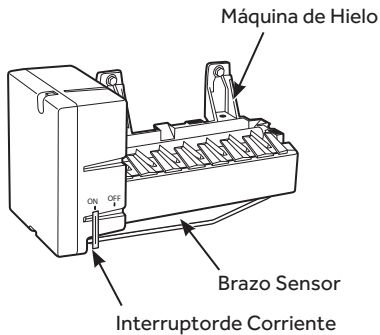
# ACCESORIO

## INSTRUCCIONES DE INSTALACIÓN DE ACCESORIOS DE LA MÁQUINA DE HIELO

### Kit de Accesorios de la Máquina de Hielo IM4D:

El kit de accesorios de la máquina de hielo IM4D está disponible por un costo adicional.

Para ordenar, llame a GE Appliances al 800.GECARES (800.432.2737) o visite GEAppliances.com. En Canadá, visite GEAppliances.ca o llame al 800.561.3344.



### ANTES DE COMENZAR

Lea estas instrucciones en su totalidad y atentamente.

- **IMPORTANTE** – Guarde estas instrucciones para uso del inspector local.
- **IMPORTANTE** – Cumpla con todos los códigos y ordenanzas gubernamentales.
- **Nota para el Instalador** – Asegúrese de que el Comprador guarde estas instrucciones.
- **Nota para el Comprador** – Guarde estas instrucciones para referencia futura.
- **Nivel de habilidad** – La instalación de este electrodoméstico requiere un nivel básico de habilidades mecánicas.
- **Tiempo de instalación** – Aproximadamente entre 20 y 60 minutos.
- La correcta instalación del producto es responsabilidad del instalador
- Si se producen fallas en el producto debido a una instalación inadecuada, la Garantía no cubrirá las mismas.

### Daño – Envío/ Instalación

- Si la unidad sufre daños durante el envío, devuelva la unidad a la tienda donde fue comprada para su reparación o reemplazo.
- Si la unidad es dañada por el cliente, la reparación o reemplazo es responsabilidad del cliente.
- Si la unidad es dañada por el instalador (si no es el cliente), la reparación o reemplazo deberá ser realizado por arreglo entre el cliente y el instalador.

### ÍTEMS NECESARIOS DEL KIT IM4D

- 1 Máquina de Hielo
  - 2 Instrucciones de Instalación
  - 3 Válvula de Agua y Ensamble de la Tubería
  - 4 Tornillo con Cabeza Hexagonal para la Abrazadera de la Tubería de Agua (3/4")\*
  - 5 Tornillos con Cabeza Phillips, para máquina de hielo montable (2) (7/8")\*
  - 6 Abrazadera de la Tubería de Agua (aliviador de tensión), para tubería de agua hogareña
  - 7 Etiqueta de la Garantía
  - 8 Taza de Llenado de la Máquina de Hielo (montaje lateral)
- 
- 
- 
- 
- 
- 
- 
- 
- ICEMAKER WARRANTY VERIFICATION  
Date Installed \_\_\_\_\_  
Dealer \_\_\_\_\_

### ⚠ ADVERTENCIA

Realice la conexión a un suministro de agua potable únicamente.

Se requiere un suministro de agua fría para el funcionamiento de la máquina de hielo automática. La presión del agua deberá estar entre 40 y 120 psi (275-827 kilopascales)

# ACCESORIO

## ANTES DE COMENZAR

Lea estas instrucciones en su totalidad y atentamente.

**⚠️ ADVERTENCIA**  **RIESGO DE DESCARGA ELÉCTRICA** A fin de eliminar el riesgo de descargas eléctricas o lesiones durante la instalación, usted deberá primero desenchufar el refrigerador antes de proceder.



## USTED NECESITARÁ



Destornilladores de punta plana y Phillips



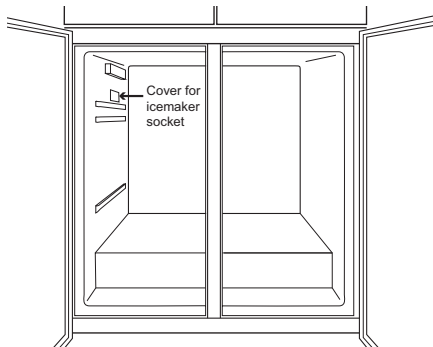
Pinzas



Cuchillo filoso

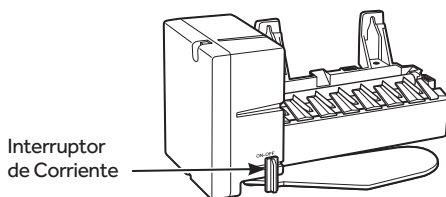
## PREPARE EL REFRIGERADOR

Dentro del freezer, retire la tapa de la ficha de suministro de corriente de la máquina de hielo.



## APAGUE EL INTERRUPTOR DE CORRIENTE

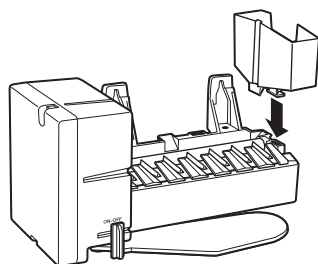
Configure el Interruptor de Corriente en OFF (Apagado).



(El aspecto puede variar)

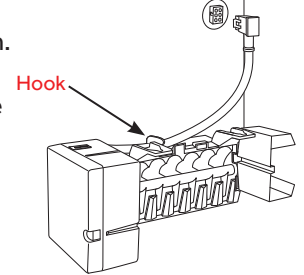
## INSTALE LA TAZA DE LLENADO DE LA MÁQUINA DE HIELO

Instale la taza de llenado de la máquina de hielo (13) en la máquina de hielo como se muestra.



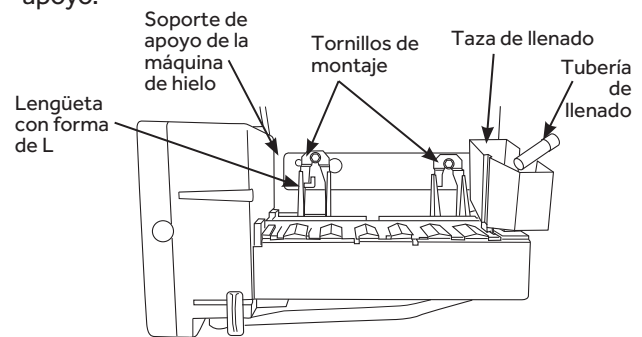
## ENCHUFE LA MISMA EN LA MÁQUINA DE HIELO

Enchufe el cable de corriente de la máquina de hielo en la ficha, asegurándose de que las clavijas y los agujeros coincidan. Presione el enchufe de manera firme sobre la entrada. Bloquee el enchufe en su posición enganchando las restricciones sobre cada lado del enchufe. Asegúrese de que las restricciones hagan clic sobre sus posiciones. Asegúrese de que el cable de corriente quede quieto sobre el gancho en la parte trasera de la máquina de hielo.



## MONTE LA MÁQUINA DE HIELO

- Para una instalación fácil, retire el cajón del freezer superior y el intermedio izquierdo.
- Coloque ambos tornillos de montaje hasta la mitad dentro de los agujeros de los tornillos del soporte de apoyo de la pared superior del lado izquierdo del freezer. Levante la máquina de hielo de modo que el ensamble del tubo de llenado coincida con la abertura de la taza de llenado. Cuelgue la máquina de hielo sobre los tornillos y sobre la lengüeta con forma de L frente al soporte de apoyo.



**Asegúrese de que:**

- El cable de corriente aún está firme en la ficha.
- El ensamble de la tubería de llenado se extiende hasta la abertura de la taza de llenado, en la parte trasera de la máquina de hielo.
- Los tornillos de montaje de la máquina de hielo deberán ser ubicados en la posición más alta de las ranuras de montaje, en el soporte de la máquina de hielo.
- La máquina de hielo está nivelada.
- El interruptor de corriente de la máquina de hielo están en la posición **OFF** (Apagado).

**DE FORMA SEGURA, AJUSTE LOS TORNILLOS DE MONTAJE DE LA MÁQUINA DE HIELO.**



# ACCESORIO

## ADHIERA LA ETIQUETA DE LA GARANTÍA

Una etiqueta es provista con este kit a fin de registrar la fecha de instalación con propósitos de la garantía. Coloque la misma sobre la parte trasera del refrigerador.

## GUARDE ESTE MANUAL

**La garantía de la máquina de hielo está impresa en el manual incluido con el kit de la máquina de hielo. Guarde este manual con el Manual del Propietario del Refrigerador.**

La instalación de la máquina de hielo dentro del freezer está ahora completada. Continúe en la sección de Ensamble de la Válvula de Agua.

## ⚠ PRECAUCIÓN

No coloque los dedos ni las manos en el mecanismo automático de la máquina de hielo, mientras el refrigerador se encuentre enchufado. Esto ayudará a protegerlo de posibles lesiones.

Esto también evitará interferencias con las partes móviles del mecanismo eyector y del elemento de calefacción que libera los cubos, ubicados en la parte inferior de la máquina de hielo.

## ENSAMBLE DE LA VÁLVULA DE AGUA

### ⚠ ADVERTENCIA

**A fin de reducir el riesgo de muerte o de descargas eléctricas, se deberán seguir estas instrucciones:**

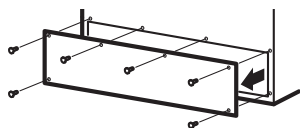
- **Desenchufe el refrigerador antes de retirar cualquier panel.**
- **No dañe ningún cable mientras el panel es retirado.**
- **Reemplace todas las piezas y paneles antes de volver a enchufar el refrigerador.**

### ⚠ ADVERTENCIA RIESGO DE DESCARGA ELÉCTRICA

Adhiera la abrazadera de la tubería usando el agujero existente únicamente. NO perforo sobre el refrigerador.

## RETIRE LA TAPA

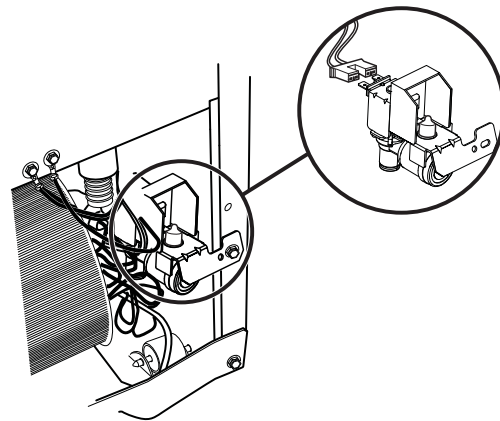
Retire la tapa de acceso. Esto requiere el retiro de los tornillos que adhieren la tapa a la parte trasera de la carcasa del refrigerador.



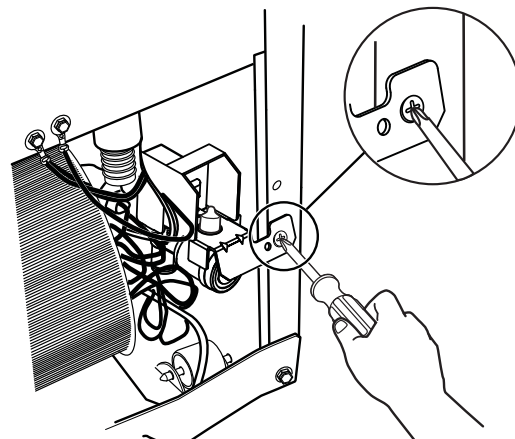
Asegúrese de guardar los tornillos, ya que la tapa de acceso se deberá reinstalar más tarde para asegurar que su refrigerador funcione correctamente.

## ADHIERA LA VÁLVULA DE AGUA

- Conecte la tubería de agua preinstalada del compartimiento de la máquina a la válvula de agua. No use la tubería de agua incluida con la válvula de agua. A fin de retirar la tubería de agua de la válvula de agua, empuje la arandela blanca hacia la válvula de agua y empuje hacia usted la tubería de agua.
- Empuje hacia usted la tubería de agua de color negro desde el lado derecho del compartimiento de la máquina. Retire la cinta desde el extremo. Inserte la tubería de agua en la válvula de agua completamente hasta la marca de 0.5" desde el extremo. Enrosque y guarde el resto de la tubería nuevamente en el compartimiento.
- Ubique el enchufe de conexión hembra. Enchufe el conector hembra en las terminales macho de la válvula de agua. Se puede usar cualquiera de los cables en cualquiera de las terminales.



- Ajuste la válvula de agua al gabinete con el tornillo de montaje de la válvula de agua (destornillador de cabeza plana Phillips incluido con este manual en la bolsa de accesorios) dentro del agujero de la pata del gabinete.



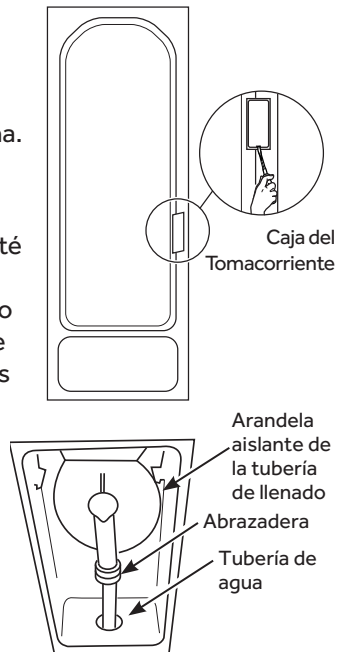
# ACCESORIO

## ENSAMBLE DE LA VÁLVULA DE AGUA (CONT.)

### ADHIERA LA VÁLVULA DE AGUA (Cont.)

- Abra la tapa de la caja del tomacorriente, ubicada del lado derecho de la parte trasera de la unidad, con un destornillador de punta plana.

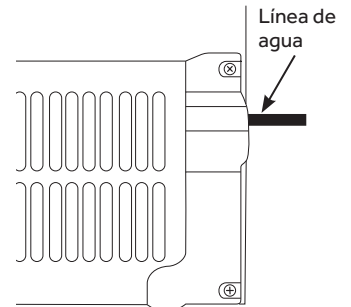
- Controle la conexión a la tubería de agua. Asegúrese de que la tubería de agua esté completamente insertada en la arandela aislante. De no ser así, afloje el sujetador de la manguera presionando los extremos con una pinza e inserte el tubo tanto como sea posible. Luego libere los extremos del sujetador y asegúrese de que este último tome la tubería de agua. De otro modo, podrá gotear agua de esta conexión.



- Controle la parte trasera del refrigerador para asegurar que el tubo de llenado no haya sido empujado fuera de la parte trasera del refrigerador.

### VUELVA A INSTALAR LA TAPA

Vuelva a instalar la tapa de acceso. Esto requiere el uso de los tornillos que retiró previamente para volver a adherir la tapa a la parte trasera de la carcasa del refrigerador. Ésta se deberá volver a instalar para que su refrigerador funcione de forma correcta. La tubería de agua deberá sobresalir sobre la ranura de alivio de la tubería de agua, del lado derecho de la tapa de acceso.



### TUBERÍA DE AGUA CONECTADA

Consulte las Instrucciones de Instalación de la Tubería de Agua para realizar la conexión del suministro de agua en el hogar, suministradas con las instrucciones de instalación de la máquina de hielo.

Una vez completada la instalación de la tubería, configure el interruptor de corriente de la máquina de hielo en **ON** (Encendido).

**El ciclo de la máquina de hielo no comenzará hasta que esta última y el compartimiento del freezer alcancen la temperatura de funcionamiento; luego la máquina de hielo comenzará su funcionamiento de forma automática.**

# SOLUCIÓN DE PROBLEMAS

Pruebe las soluciones sugeridas aquí y posiblemente se evite el gasto de una visita de servicio técnico.

## EL REFRIGERADOR NO FUNCIONA

PROBLEMA	CAUSAS POSIBLES	SOLUCIÓN
<b>El refrigerador no funciona</b>	El refrigerador no está enchufado.	Enchufe el refrigerador en un tomacorriente de pared de 3 terminales con conexión a tierra.
	Se ha disparado o se ha apagado el cortacircuitos/Se ha quemado un fusible.	Reajuste/Encienda el cortacircuitos o reemplace el fusible.
	El refrigerador está en modo de descongelación.	Espere unos 40 minutos para que finalice el ciclo de descongelación y se reanude el sistema de refrigeración.
<b>El compresor del refrigerador funciona con frecuencia o durante largos periodos de tiempo</b> <b>NOTA: Este refrigerador ha sido diseñado para funcionar durante periodos más largos de tiempo con un consumo de energía más bajo.</b>	El refrigerador se enchufó por primera vez.	Esto es normal. Deje transcurrir 12 horas para que el refrigerador se enfríe.
	Se han agregado alimentos tibios o una gran cantidad de alimentos.	Esto es normal.
	La porte a été laissée ouverte, o el refrigerador no está nivelado.	Asegúrese de que la puerta no queda abierta a causa de un artículo. Nivele el refrigerador. Vea "Nivelación".
	Hace calor o se abre con frecuencia.	Esto es normal.
	Control de temperatura fijo en la posición más fría.	Ajuste la temperatura a un ajuste más caliente.
<b>El refrigerador huele mal</b>	Los alimentos no están sellados o envasados correctamente.	Vuelva a sellar los envases. Coloque una caja abierta con bicarbonato de sodio en el refrigerador y cámbiela cada 3 meses.
	Debe limpiar el interior.	Limpie el interior. Vea "Limpieza".
	Se han guardado los alimentos por mucho tiempo.	Deseche los alimentos que se han echado a perder.
<b>La luz no se enciende</b>	El refrigerador no está enchufado.	Enchufe el refrigerador en un tomacorriente de pared de 3 terminales con conexión a tierra.
	La luz LED está quemada.	Llame a un técnico calificado para cambiar la luz LED quemada.
	Se activó el modo Sabbath (Día de descanso).	Las luces están desactivadas en el modo Sabbath (Día de descanso). Para encender las luces, debe apagar el modo Sabbath (Día de descanso). Para conocer las instrucciones, vea "Día de descanso".
<b>Las puertas no cierran correctamente</b>	El refrigerador no está nivelado.	Vea "Nivelación".
	Algo está obstruyendo el cierre de la puerta.	Revise si hay obstrucciones y quítelas.
<b>Vibración o traqueteo</b>	El refrigerador no está apoyado firmemente en el suelo.	Vea "Nivelación".
<b>Sonidos normales</b>	Se escucha un sonido como si fluyera agua del refrigerador.	El refrigerante que fluye por las líneas hace este sonido cuando se enciende y se apaga el compresor. El refrigerador tiene un sistema de descongelación automático. El sonido es ocasionado por el agua descongelada.
	Zumbidos o chirridos	Este sonido es ocasionado por el compresor y los ventiladores de circulación de aire frío. Si el refrigerador no está nivelado, el sonido será más fuerte.
	Crujidos o chasquidos	Este sonido es ocasionado por las piezas interiores cuando se contraen y se expanden en respuesta a los cambios de temperatura.

# SOLUCIÓN DE PROBLEMAS

## TEMPERATURA Y HUMEDAD

PROBLEMA	CAUSAS POSIBLES	SOLUCIÓN
<b>Refrigerador o congelador demasiado caliente</b>	El control de temperatura no está en un ajuste suficientemente bajo.	Ajuste el compartimiento a un ajuste más frío; espere 12 horas para que se ajuste la temperatura.
	Las puertas se abren con frecuencia o quedan abiertas.	Limite la cantidad de aperturas de la puerta para mantener la temperatura interna /Verifique que no haya un paquete que evite que se cierre la puerta.
	Se agregaron alimentos calientes recientemente.	Deje transcurrir un rato para que se enfrien los alimentos y el refrigerador.
	El espacio entre la parte posterior del refrigerador y la pared es demasiado pequeño.	Deje un espacio de por lo menos 2" (5 cm) entre la parte posterior del refrigerador y la pared.
	Los artículos ubicados contra la parte posterior de los compartimientos están bloqueando el flujo de aire adecuado.	Almacene los artículos únicamente dentro de los estantes de vidrio; no coloque los artículos contra los lados de los compartimientos o directamente enfrente de los ductos de ventilación.
<b>Refrigerador o congelador demasiado frío</b>	El control de temperatura se fijó en un ajuste demasiado bajo.	Fije la temperatura en el compartimiento en el próximo ajuste más cálido; espere 24 horas para que se ajuste.
<b>Humedad en el exterior/ interior del refrigerador</b>	Humedad elevada	Es normal cuando la humedad es elevada. Seque la superficie y fije la temperatura en un ajuste ligeramente más frío.
	Las puertas se abren con frecuencia o quedan abiertas.	Mantenga la puerta cerrada. Verifique que no haya un paquete que evite que se cierre la puerta. Nivele el refrigerador. Vea "Nivelación".
	Recipiente con agua abierto en el refrigerador	Cubra o selle el recipiente.
<b>Escarcha o cristales de hielo en alimentos congelados</b>	La porte du congélateur est restée ouverte ou est ouverte trop fréquemment, o el refrigerador no está nivelado.	Limite la cantidad de aperturas de la puerta para mantener la temperatura interna. / Verifique que no haya un elemento que evite que se cierre la puerta Nivele el refrigerador. Vea "Nivelación".
	Los artículos bloquean los ductos de ventilación del congelador e impiden el flujo de aire adecuado.	Aleje los artículos de la pared trasera.
<b>Se congelan los alimentos en el refrigerador</b>	Alimentos colocados demasiado cerca del ducto de ventilación.	Aleje los artículos de la parte posterior y superior del refrigerador.
	El control de temperatura tiene un ajuste demasiado frío.	Ajuste la temperatura a un ajuste menos frío.

SI NECESITA MÁS AYUDA, VISITE [HAIERAMERICA.COM](http://HAIERAMERICA.COM) O COMUNÍQUESE CON LA LÍNEA DE AYUDA AL CONSUMIDOR LLAMANDO AL 1-877-337-3639.

# GARANTÍA LIMITADA

## 12 Meses para Piezas y Trabajos

Durante 12 meses desde la fecha de compra minorista original, GE Appliances reemplazará cualquier pieza del refrigerador que falle debido a un defecto en los materiales o la fabricación. GE Appliances podrá, a su criterio, reemplazar o realizar la reparación de la unidad defectuosa. En caso de que GE Appliances decida realizar el servicio técnico sobre la unidad, GE Appliances brindará sin costo cualquier pieza que falle debido a un defecto en los materiales o la fabricación, junto con cualquier trabajo o costos relacionados con el servicio para reemplazar la pieza defectuosa. Durante este período, si GE Appliances decide reemplazar la unidad, podrá hacerlo brindándole a usted un certificado canjeable en un minorista, el cual podrá ser usado para un producto de reemplazo.

El producto deberá estar accesible, sin obstáculos y deberá ser instalado de forma apropiada para poder recibir el servicio de reparación correspondiente a la garantía.

**NOTA:** Esta garantía comienza en la fecha de compra de este producto, y el recibo original deberá presentarse al representante autorizado de servicio antes de hacerse las reparaciones bajo la garantía.

### PARA OBTENER SERVICIO BAJO LA GARANTÍA

Para los clientes de EE.UU., todo el servicio de garantía deberá ser provisto por nuestros Centros de Servicio de Fabricación, o por un técnico autorizado del Servicio al Cliente. Para programar el servicio técnico, visite HaierAppliances.com. En Canadá, visite HaierAppliances.ca.

Cuando llame para solicitar el servicio, tenga los números de serie y modelo disponibles.

**EXCLUSIÓN DE GARANTÍAS IMPLÍCITAS - Su única y exclusiva alternativa es la reparación del producto, como se indica en la Garantía Limitada. Las garantías implícitas, incluyendo garantías implícitas de comerciabilidad o conveniencia sobre un propósito particular, se limitan a un año o al período más corto permitido por la ley.**

**Para Clientes de EE.UU.:** Esta garantía se extiende al comprador original y a cualquier dueño subsiguiente de productos comprados para uso hogareño dentro de EE.UU. Si el producto está en un área donde no se encuentra disponible un Proveedor Autorizado del Servicio Técnico de GE Appliances, usted será responsable por el costo de un viaje o se podrá requerir que traiga el producto a una ubicación del Servicio Técnico de GE Appliances Autorizado para recibir el servicio. En Alaska, la garantía excluye el costo de envío o llamadas del servicio a su hogar.

Algunos estados no permiten la exclusión o limitación de daños fortuitos o consecuentes. Esta garantía le da derechos legales específicos y es posible que tenga otros derechos legales que varían entre un estado y otro. Para conocer cuáles son sus derechos legales, consulte a la oficina de asuntos del consumidor local o estatal o al Fiscal de su estado.

#### Garanter US:

GE Appliances, a Haier company  
Louisville, KY 40225

**Para Clientes en Canadá:** Esta garantía se extiende al comprador original y a cualquier dueño subsiguiente de productos comprados para uso hogareño dentro de Canadá. El servicio técnico hogareño de la garantía será brindado en áreas donde Mabe se encuentre disponible y lo considere apropiado.

#### Garanter Canada:

MC Commercial, Burlington, Ontario, L7R 5B6

## Lo que no está cubierto bajo esta garantía:

Viajes del técnico del servicio a su hogar para enseñarle sobre cómo usar el producto.

Instalación inadecuada, entrega o mantenimiento.

Fallas del producto en caso de abuso, mal uso, o uso para propósitos diferentes al original o uso comercial.

Pérdida de alimentos por mal estado.

Daño causado después de la entrega.

Reemplazo de fusibles de la casa o reinicio de disyuntores.

Reemplazo de las bombillas de luz.

Daños ocasionados sobre el producto por accidente, incendio, inundaciones o catástrofes naturales.

Daños consecuentes o incidentales causados por posibles defectos de este producto.

Producto no accesible para brindar el servicio requerido.

Costos asociados cuando GE Appliances decide entregar al consumidor un certificado como forma de reemplazo del producto.

Daños sobre el acabado, tales como superficie oxidada, deslustre o manchas pequeñas no informadas dentro de las 48 horas luego de la entrega.

Productos que no presenten defectos ni estén rotos, o que estén funcionando de acuerdo con lo descrito en el Manual del Propietario.

# INFORMACIÓN A TENER EN CUENTA

Le agradecemos la compra de este producto de marca Haier. Este manual para el usuario lo ayudará a obtener el mejor funcionamiento de su nuevo refrigerador.

Para referencia futura, anote el número de modelo y de serie y la fecha de compra. La placa con el número de modelo o de serie está ubicada en una etiqueta dentro del refrigerador.

Engrape la prueba de compra a este manual para asistirle cuando necesite obtener servicio bajo la garantía.

\_\_\_\_\_  
Número de modelo

\_\_\_\_\_  
Número de serie

\_\_\_\_\_  
Fecha de compra

# NOTAS

# **IMPORTANT**

## **Do Not Return This Product To The Store**

If you have a problem with this product, please call 1-877-337-3639 for the name and telephone number of the nearest authorized service center.

**DATED PROOF OF PURCHASE REQUIRED FOR WARRANTY SERVICE**

# **IMPORTANT**

## **Ne pas Réexpédier ce Produit au Magasin**

En cas de problème avec ce produit, veuillez composer le 1-877-337-3639 pour connaître le nom et le numéro de téléphone du centre de service autorisé le plus proche.

**PREUVE D'ACHAT DÁTÉE, NUMÉRO DE MODÈLE ET LE NUMÉRO DE SÉRIE REQUIS POUR LE SERVICE DE GARANTIE**

# **IMPORTANTE**

## **No regrese este producto a la tienda**

Si tiene un problema con este producto, por favor comuníquese al 1-877-337-3639 para solicitar el nombre y número telefónico del centro de servicio al cliente autorizado más cercano.

**NECESITA UNA PRUEBA DE COMPRA FECHADA, NÚMERO DE MODELO Y DE SERIE PARA EL SERVICIO DE LA GARANTÍA**