

WINNERS ONLY® Assembly Instructions

PROD . NO: **DRT245824**


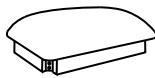
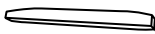



Thank you for purchasing this quality product. Please read the instructions thoroughly before unpacking the assembly parts.

Caution: Sharp exposed staple tips can cause injury, therefore for your protection, please remove any exposed staples used in packing.

Please keep all hardware parts out of the reach of children.







1. We recommend that you should assemble this product with the assistance of another person: this will make the assembly easier, and will help to prevent personal injury and to insure parts are not damaged during the assembly process.
2. Before beginning, please check the packing materials carefully for small parts which may have come loose inside the carton during shipping. Please do not discard any packing material until all parts have been located. If any parts are missing, please contact your dealer for prompt replacement.
3. To prevent damage to your floor or carpet, please check the bottom of each piece of furniture for stain residues and rough surfaces and also check for staples or nails left after removing the packing materials. The manufacturer will not be held responsible if preventive steps are not taken prior to installation.
4. Please do not over tighten screws or bolts. During normal use everyday, screws, bolts, nuts and wooden plugs may loosen up. They should be periodically inspected and re-tightened to prevent damage to the furniture and (or) personal property of cause injury. Always check to be sure all hardware on this list and the below mentioned components are attached to the furniture properly and kept tightened.
5. Please lay all parts and hardware on a non abrasive surface such as a carpet, and follow the assembly.

COMPONENT LIST:

NO	DESCRIPTION	SKETCH	QTY
A	Hardware Bag		1 pack
B	Cushion Seat		1 pce
C	Front Leg (Left)		2 pcs
D	Front Leg (Right)		2 pcs
E	Long Stretcher		2 pcs
F	Short Stretcher		2 pcs

This product will take 15-20 minutes to assemble.

HARDWARE LIST:

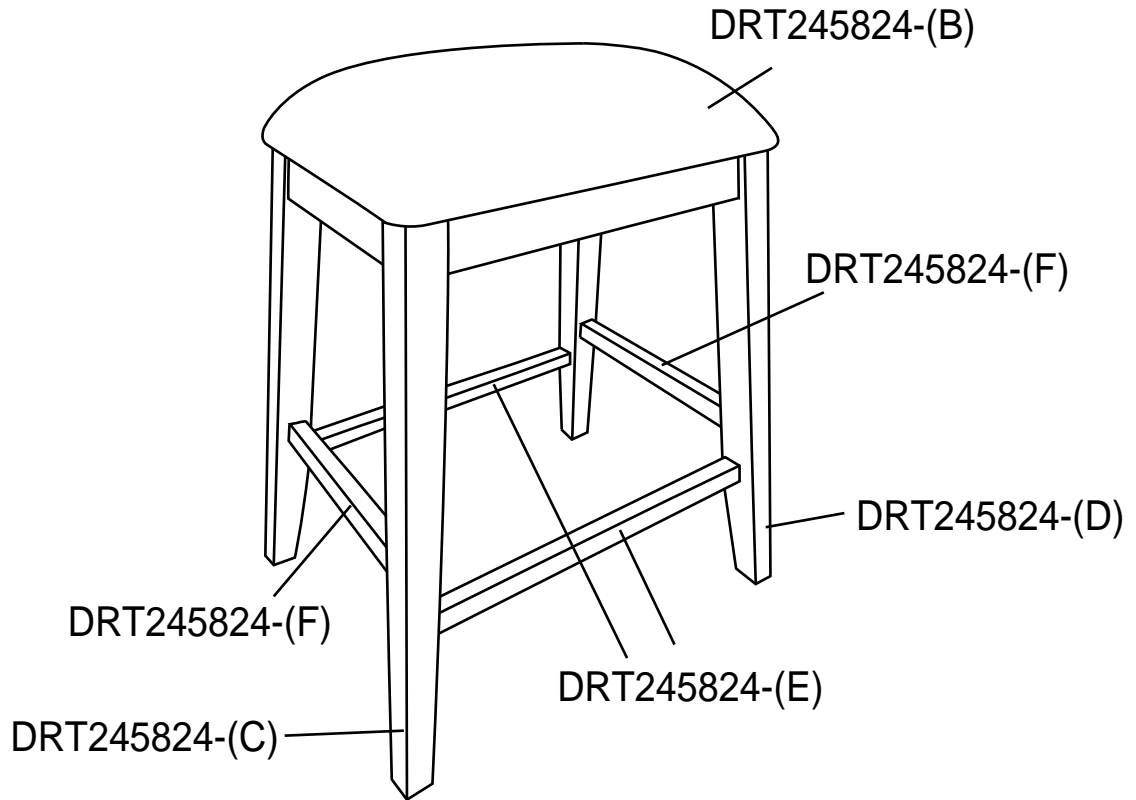
NO	DESCRIPTION	SIZE	SKETCH	QTY
1	JCBC Bolt	M6 x 70mm		8 pcs
2	Lock Washer	M6 x 13mm		8 pcs
3	Flat Washer	M6.5 x 16.5mm		8 pcs
4	Allen Key	M4 x 2.1/2"		1 pce
5	Pan Head Screw	8 x 1 1/4"		8 pcs
6	Glue	10g		1 pce

Screw driver is require for assembly (not included)

TIP: store the Allen key and or Wrench used in assembly in this product's drawer or use masking or painter's tape to affix it to the underside of the product .this will make it easier to find if you want to periodically tighten bolts or disassemble the product.

WINNERS ONLY[®] Assembly Instructions

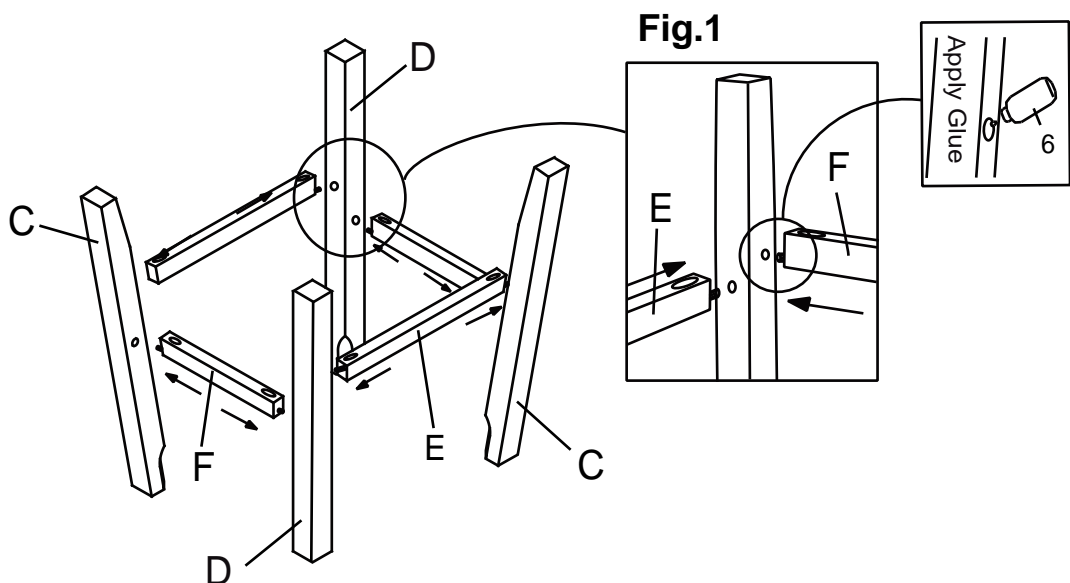
DRT245824
SADDLE BARSTOOL



ASSEMBLY :

STEP 1

1. Attach the stretcher to the leg with fully inserted into the pre-drilled holes. As shown on fig1.



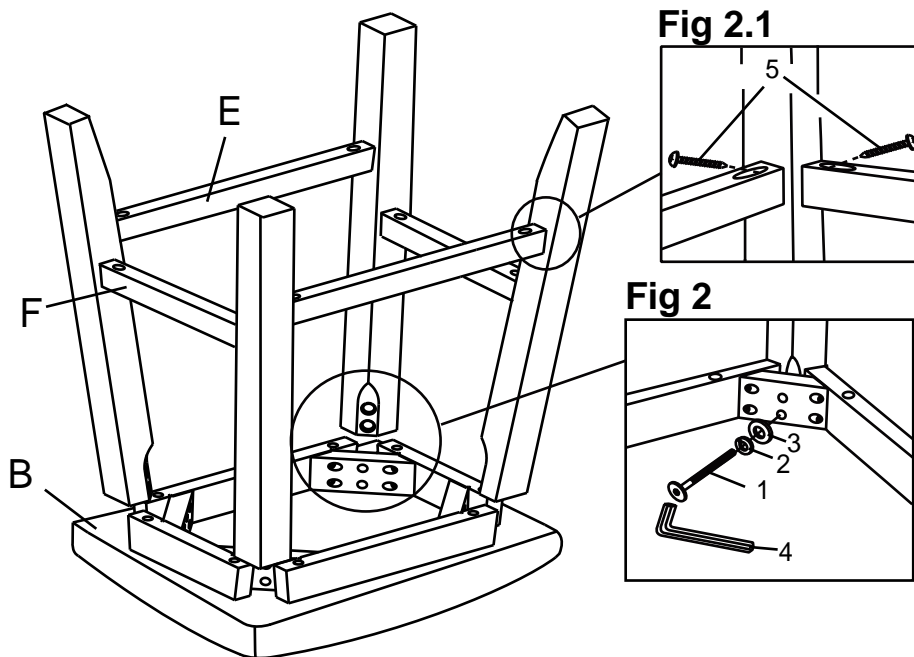
WINNERS ONLY® Assembly Instructions

DRT245824
SADDLE BARSTOOL

ASSEMBLY :

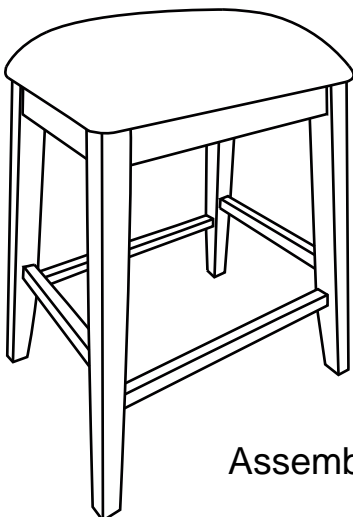
STEP 2

2. Put the Cushion Seat on a soft surface such as a carpet. Place the legs to corner block of the frame, by using provided hardware. As shown in Fig.2
- 2.1. Insert Pan Head Screw into stretcher through the pre-drilled holes, tighten with screw-driver (Not Provided).As shown in Fig.2.1.



STEP 3

- 3.1- Turn the Barstool to standing position.
- 3.2- Check it's balance and tighten all screw and bolts to complete the assembly.



Assembly is now Completed.

CARE INSTRUCTION

- ~ Be sure to use the same type of polish consistently. Your furniture will appear cloudy or streaky if oil based or wax based polishes are interchanged.
- ~ Spray your furniture surface evenly. Wipe in a circular motion with a soft clean cloth.