

WINNERS ONLY®

ASSEMBLY INSTRUCTIONS

PROD. NO : DAT245624R

Thank you for purchasing this quality product. Please read the instructions thoroughly before unpacking the assembly parts.

Caution: sharp exposed staple tips can cause injury, therefore for your protection, please remove any exposed staples used in packing.

Please keep all hardware parts out of the reach of children.

1. We recommend that you should assemble this product with the assistance of another person; this will make the assembly easier, and will help to prevent personal injury and to insure parts are not damaged during the assembly process.

2. Before beginning, please check the packing materials carefully for small parts which may have come loose inside the carton during shipping. Please do not discard any packing material until all parts have been located. If any parts are missing, please contact your dealer for prompt replacement.

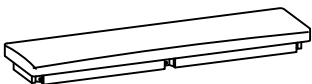




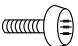
3. To prevent damage to your floor or carpet, please check the bottom of each piece of furniture for stain residues and rough surfaces and also check for staples or nails left after removing the packing materials. The manufacturer will not be held responsible if preventive steps are not taken prior to installation.

4. Please do not over tighten screws or bolts. During normal use everyday, screws, bolts, nuts and wooden plugs may loosen up. They should be periodically inspected and re-tightened to prevent damage to the furniture and (or) personal property or cause injury. Always check to be sure all hardware on this list and the below mentioned components are attached to the furniture properly and kept tightened.

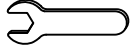




5. Please lay all parts and hardware on a non abrasive surface such as a carpet, and follow the assembly

This product will take 15-20 minutes to assemble

Components List :

NO	DESCRIPTION	SKETCH	QTY
A	Cushion Seat with Frame		1pc
B	Bench Center Legs		2pcs
C	Bench Corner Legs		4pcs
D	Side Stretcher (Short)		3pcs
E	Front Stretcher (Long)		4pcs
F	Adjustable Levelers		2pcs

Hardware List :

NO	DESCRIPTION	SIZE	SKETCH	QTY
1	Wrench	12x75 mm		1pc
2	Hex-Nut	5/16"		12pcs
3	Spring Washer	5/16" x Ø12		12pcs
4	Flat Washer	5/16" x Ø19		12pcs
5	Wood Screw	Ø8 x 50 mm		14pcs

Screw driver is require for assembly (not included)

TIP: store the Allen key and or Wrench used in assembly in this product's drawer or use masking or painter's tape to affix it to the underside of the product. This will make it easier to find if you want to periodically tighten bolts or disassemble the product.

Reminders

1. Use only the hardware supplied.
2. Once the chair is finished, level and tighten all the bolts.
3. Do not over-tighten bolts.
4. This item may require periodic tightening.

NOTE :

1. Hardware pack is located underneath the Cushion Seat with Frame (A).
2. Two or more people are needed for assembly. Please keep all hardware parts out of the reach of children.

WINNERS ONLY®

ASSEMBLY INSTRUCTIONS

PROD. NO : DAT245624R

Grab hardware bag from underneath the Cushion Seat.
Do not fully tighten bolts until the Product is level
and the assembly of the product is completed.

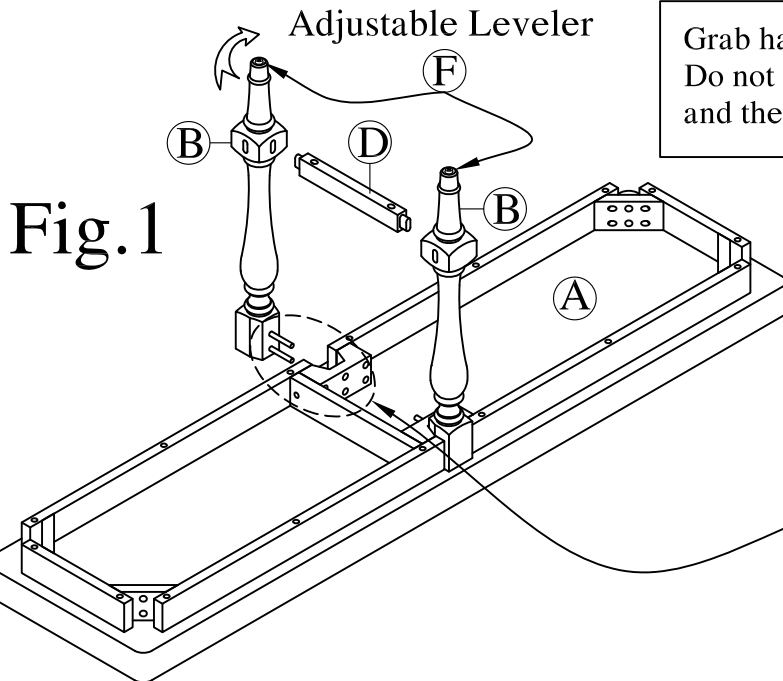
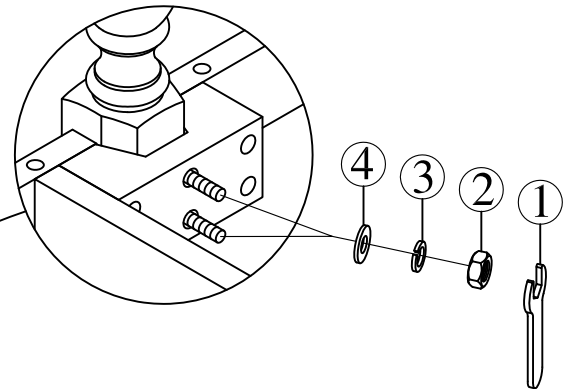


Fig.1



Step 1: Lay the Cushion Seat with Frame (A) upside down on a flat soft surface. Insert Bench Center Leg (B) into Cushion Seat with Frame (A), using the provided hardware as shown on Fig. 1. At the same time insert Side Stretcher (D) into bench Center Legs (B). Do Not Fully Tighten Bolts Yet

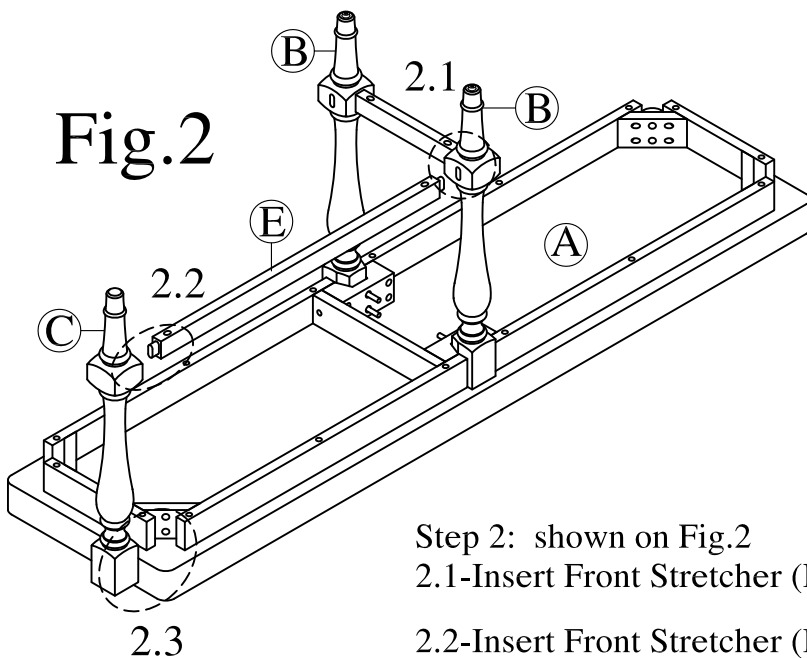
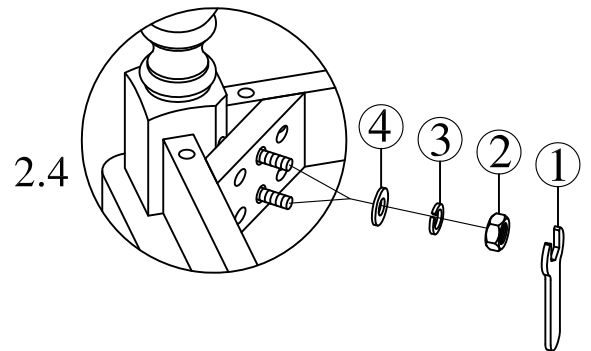


Fig.2



Step 2: shown on Fig.2

2.1-Insert Front Stretcher (E) into Bench Center Leg (B).

2.2-Insert Front Stretcher (E) into Bench Corner Leg (C).

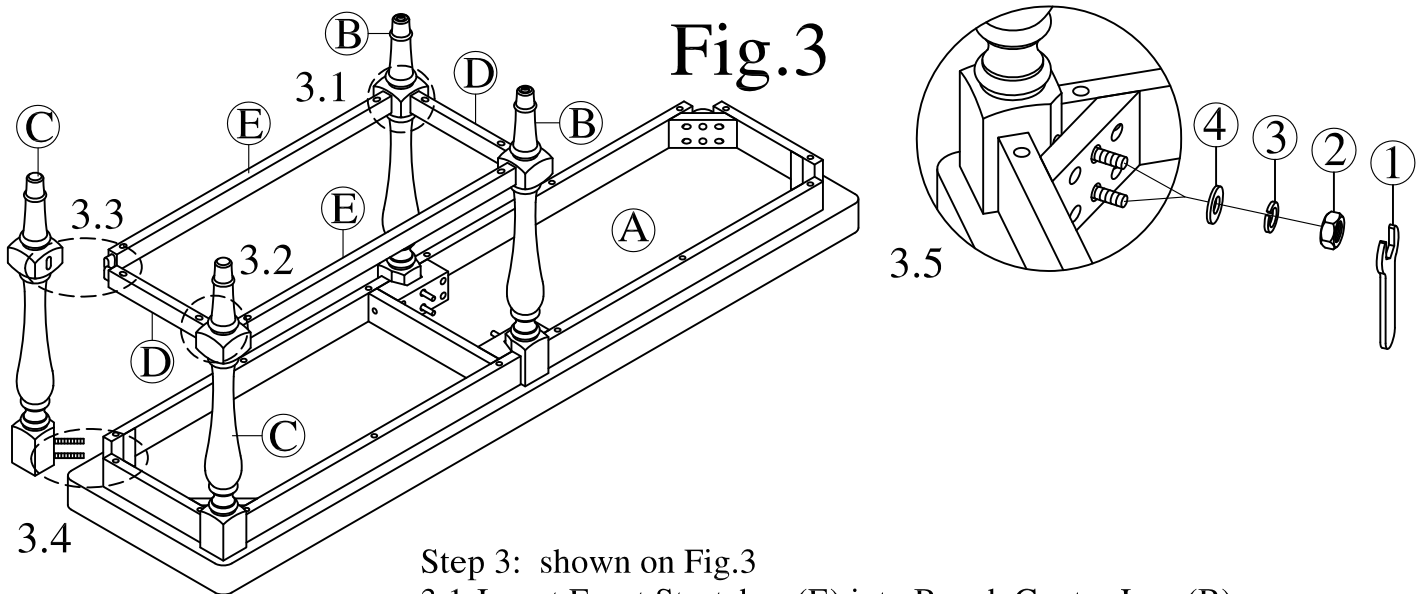
2.3- Insert Bench Corner Leg (C) into Cushion Seat with Frame (A).

2.4- Using the provided hardware attach Bench Corner Leg (C) to Cushion Seat with Frame (A) as shown in Fig. 2.
Do Not Fully Tighten Bolts Yet

WINNERS ONLY®

ASSEMBLY INSTRUCTIONS

PROD. NO : DAT245624R



Step 3: shown on Fig.3

3.1-Insert Front Stretcher (E) into Bench Center Leg (B).

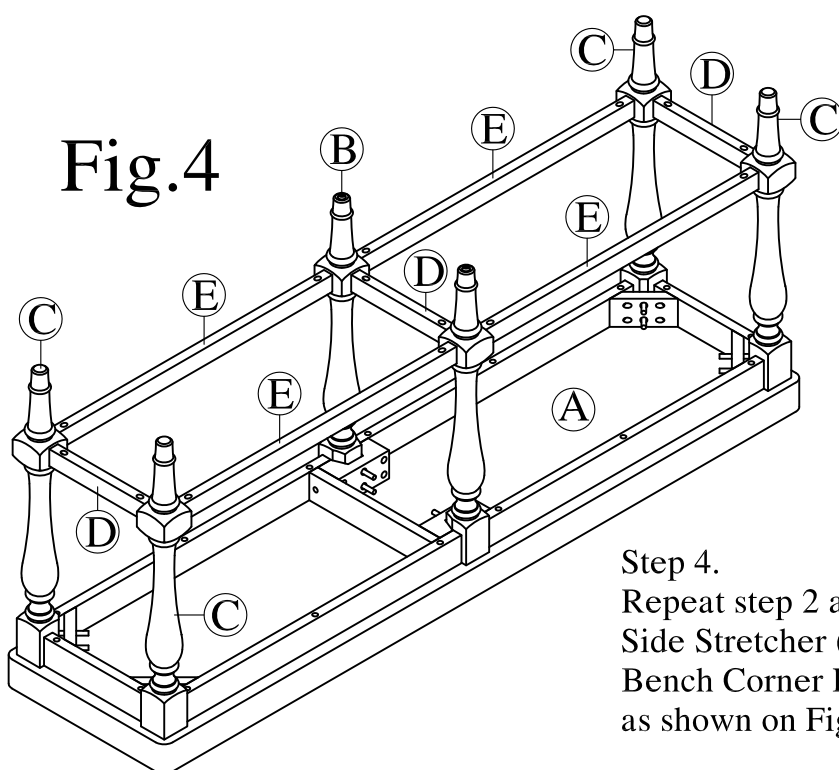
3.2-Insert Side Stretcher (D) into Bench Corner Leg (C).

3.3-Insert Front Stretcher (E), Side Stretcher (D) into Bench Corner Leg (C).

3.4- Insert Bench Corner Leg (C) into Cushion Seat with Frame (A).

3.5- Attach Bench Corner Leg (C) to Cushion Seat with Frame (A). Using the provided hardware as shown in Fig. 3.

Do Not Fully Tighten Bolts Yet



Step 4.

Repeat step 2 and step 3 to attach the remaining Side Stretcher (D), Front Stretcher (E) and Bench Corner Leg (C) to Cushion Seat with Frame (A). as shown on Fig.4.

WINNERS ONLY®

ASSEMBLY INSTRUCTIONS

PROD. NO : DAT245624R

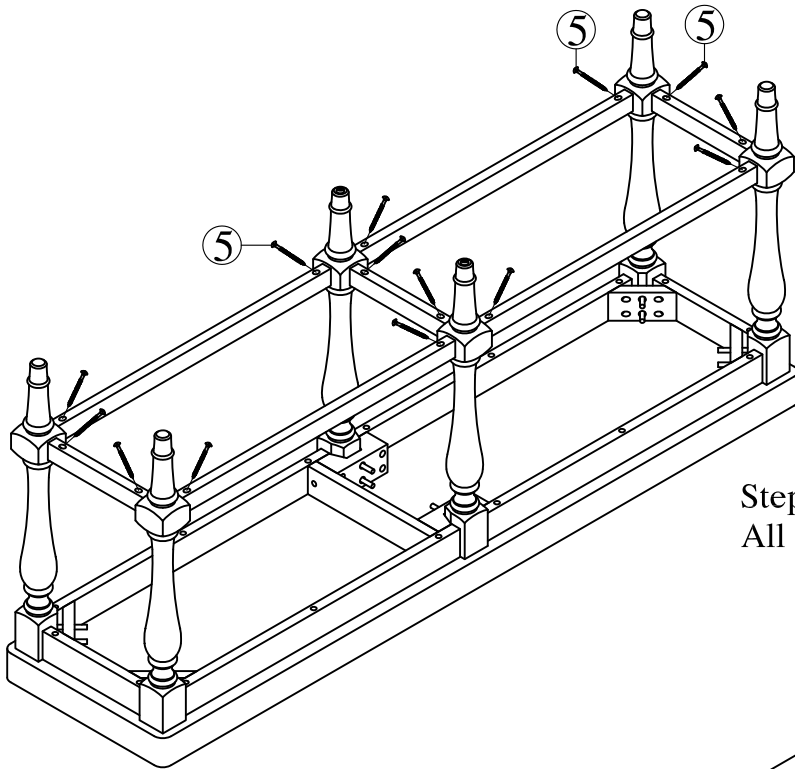


Fig.5

Step 5 : Insert Wood Screw (5) to fasten All stretchers (D, E) as shown on Fig. 5.

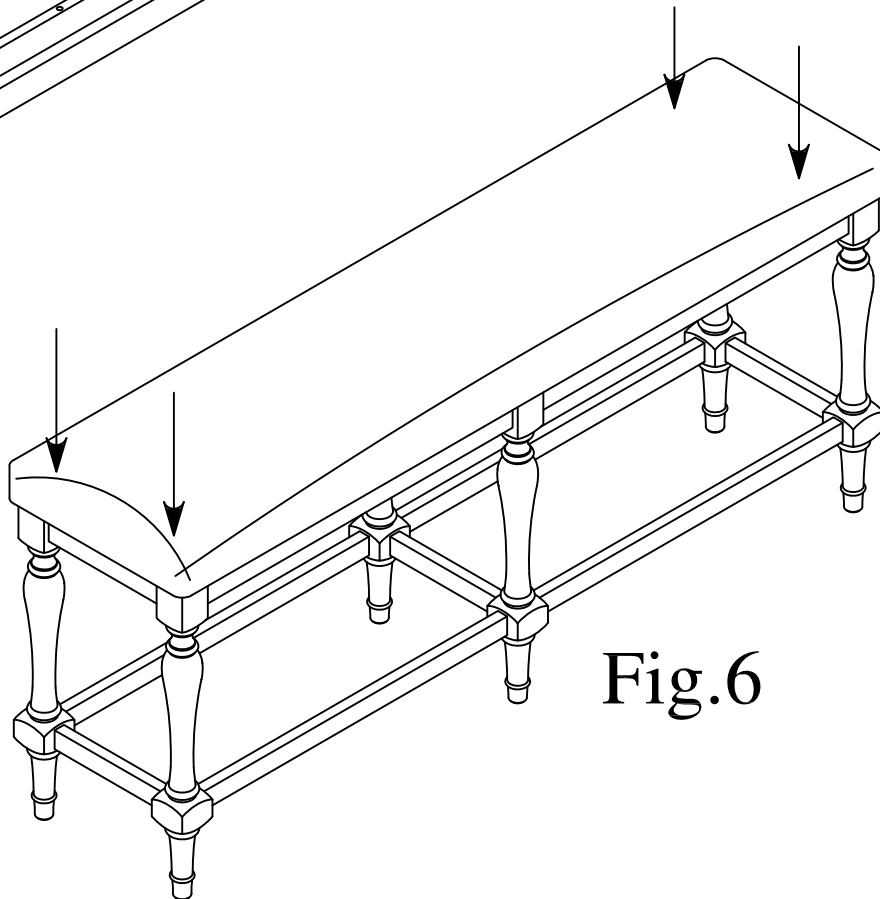


Fig.6

Step 6: Place the loosely assembled Bench on a hard flat surface and apply gentle downward pressure on the seat. As shown on Fig.6. Once the Bench is balanced and leveled, fully tighten all bolts.

Assembly is now Complete