



INSTALLATION MANUAL
MANUEL D'INSTALLATION
MANUAL DE INSTALACIÓN

DISHWASHER Owner's Manual.....	1 - 9
LAVE-VAISSELLE Manuel du propriétaire.....	10 - 18
LAVAPLATOS Manual del propietario.....	19 - 27

MODEL • MODÈLE • MODELO
DDW18D1EW
DDW18D1EB
DDW18D1ESS



Important Safety Information

READ AND FOLLOW ALL SAFETY INSTRUCTIONS

In addition to these instructions, the dishwasher shall be installed:

- In accordance with all local codes or, in absence of local codes,
- In the United States, with the National Electric Code,
- In Canada, with the Canadian Electric Code C22.1 - latest edition, Provincial and Municipal codes and/or local codes.

Read these installation instructions completely before installing and follow them carefully. Save these installation instructions and pass them on to any future user.

When installing the dishwasher, follow basic precautions, including the following:

- The dishwasher could only be converted from cord connected to permanently connected by an authorized service representative. If needed contact your dealer to schedule an authorized service agent for conversion with an appropriate conversion kit.
- Installation and repair should be performed by a qualified installer. Work by unqualified persons could be dangerous and may void the warranty.
- The dishwasher should be installed by an insured licensed plumber, contractor or trained installer. Installation performed by persons other than this could result in improper installation and property damage.
- Do not operate the appliance if damaged, malfunctioning, partially disassembled or if it has missing or broken parts.
- Also follow the safety instructions in the user manual.
- To reduce the risk of electric shock, fire or injury to persons, the installer must ensure that the dishwasher is completely enclosed at the time of installation.
- Only connect the dishwasher to the power supply when all installation and plumbing work is complete.
- If the dishwasher is installed in a location that experiences freezing temperatures such as a vacation home or cabin, you must drain all water from the dishwashers interior. Water system ruptures that occur as a result of freezing are not covered by the warranty.

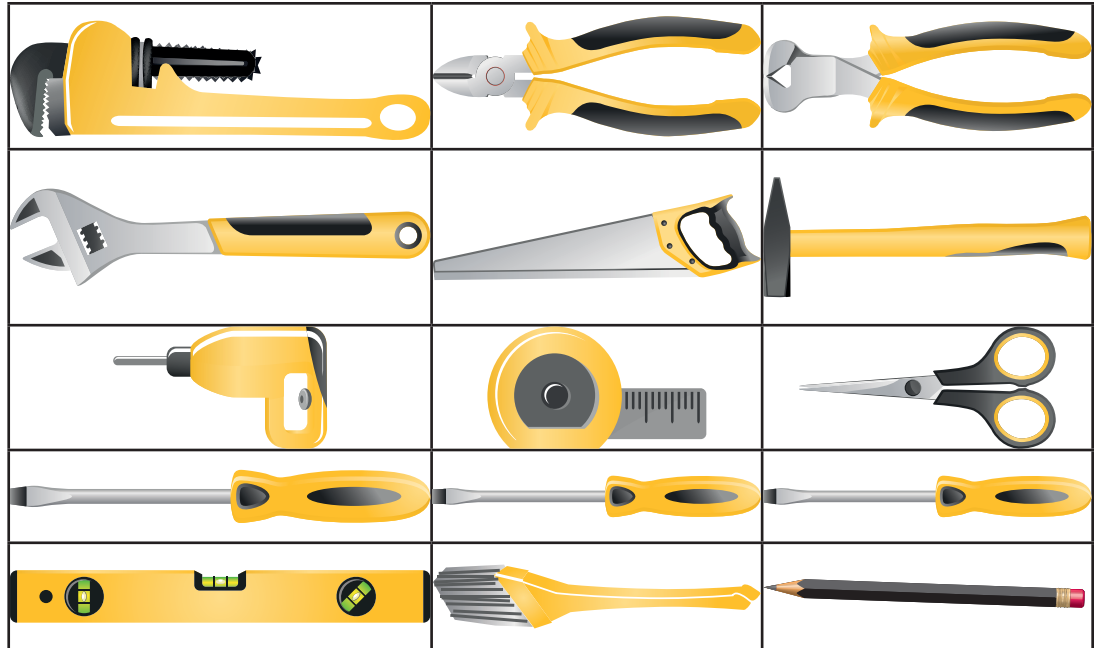
- The dishwasher must be secured to adjacent cabinetry using the brackets provided. Failure to do so may cause damage to property or bodily injury.
- Connect to a properly rated, protected and sized power supply circuit to avoid electrical overload. The dishwasher is designed for an electrical supply of 120V, 60Hz, AC, connected to a dishwasher-dedicated, properly grounded electrical circuit with a fuse or breakers rated for 15 amperes. Electric supply conductors shall be a minimum of #14 AWG copper wire rated at 75°C (167°F) or higher. These requirements must be met to prevent injury and damage. Consult a qualified electrician if in doubt.
- This dishwasher includes a heating element. Do not touch the heating element during or immediately after use.
- Do not use any extension cord or portable outlet device to connect the dishwasher to a power supply.
- Ensure that any plastic wrappings, bags, small pieces etc., are disposed of safely and kept out of reach of children. Danger of suffocation!
- Remove the door to the washing compartment when removing an old dishwasher from service or discarding it. Ensure that the appliance presents no danger to children while being stored for disposal.
- Old appliances may contain materials that be recycled. Please contact your local recycling authority about the possibility of recycling these materials.
- The dishwasher drain hose must be installed with a drain loop at least 28" (71 cm) off the cabinet floor; otherwise the dishwasher may not drain properly.
- This dishwasher is intended for residential use only and should not be used in commercial establishments.
- If the dishwasher is a new installation, most of the work must be done before the dishwasher is moved into place.
- If the dishwasher is replacement another dishwasher, check the existing dishwasher connections for compatibility with the new dishwasher and replace parts as necessary.

SAVE THESE INSTRUCTIONS!

INSTALLATION INSTRUCTIONS

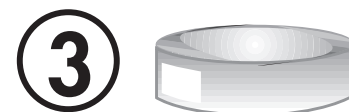
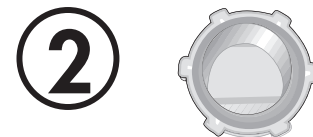
REQUIRED TOOLS

1. Pipe wrench
2. Wire cutter
3. Wire stripper
4. Adjustable wrench
5. Saw
6. Hammer
7. Drill
8. Tape measure
9. Scissors
10. Torx screwdriver
11. Phillips screwdriver
12. Slot screwdriver
13. Level
14. Brush
15. Pencil



REQUIRED MATERIALS

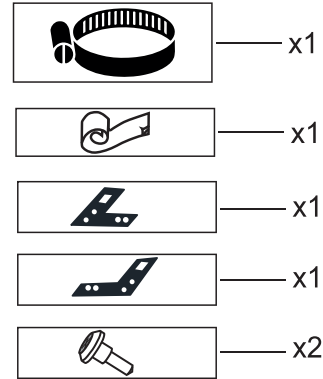
1. Hot water supply line - minimum 3/4" O.D. copper tubing or metal braided dishwasher supply line
2. UL listed conduit connector or strain relief
3. Teflon tape or other pipe thread compound to seal plumbing connections
4. Shut-off valve and fittings appropriate for hot water supply line (copper tubing/compression fitting or braided hose)
5. Silicone
6. Glue



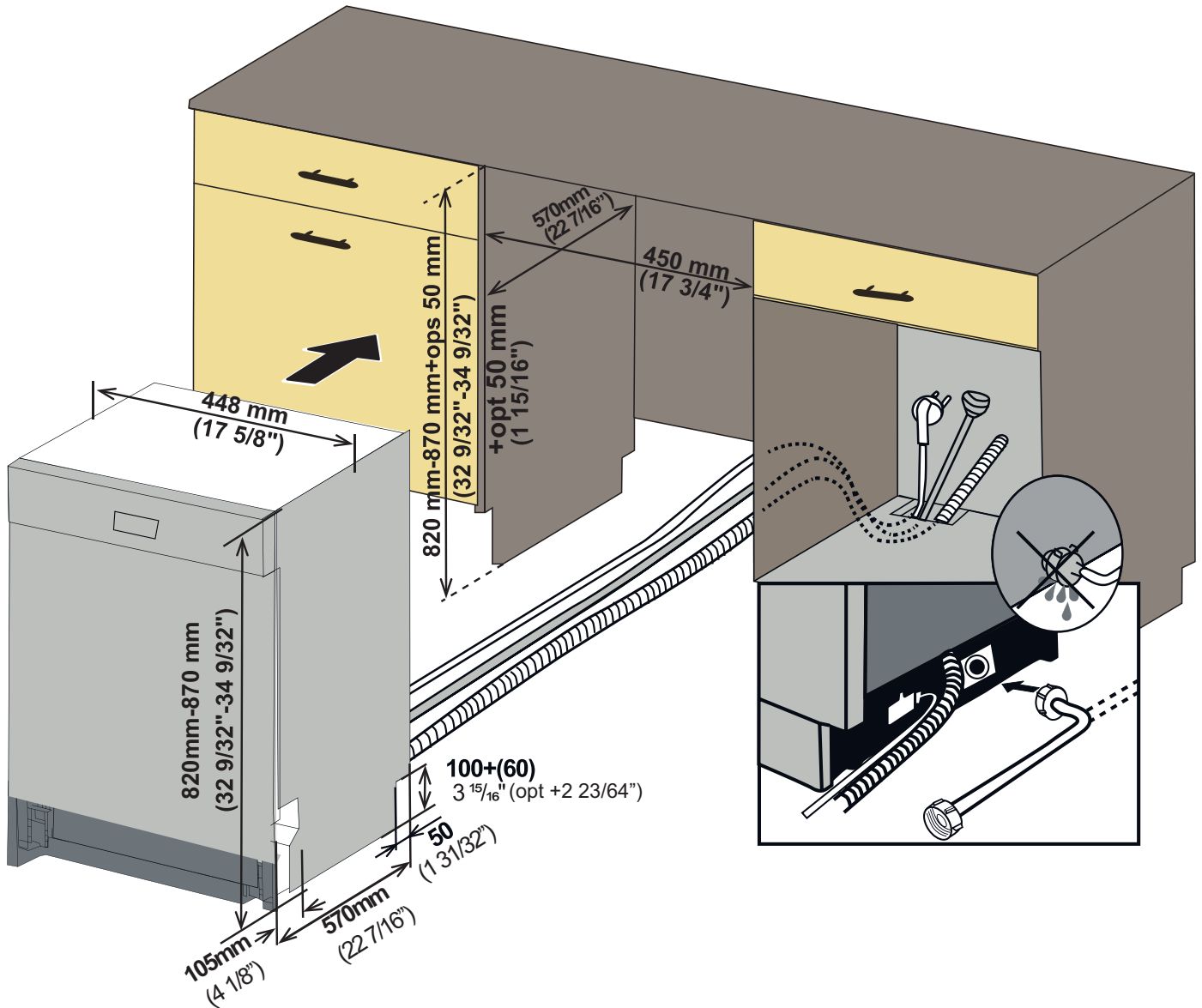
INSTALLATION INSTRUCTIONS

ACCESSORIES

1. Hose clamp
2. Steam protection foil
3. Left mounting bracket
4. Right mounting bracket
5. Screws $\varnothing 5/32'' \times 27/32''$ ($\varnothing 4\text{mm} \times 21.5\text{mm}$)



DISHWASHER SPECIFICATIONS



Load capacity	10 place settings
Permissible water pressure	43.5 - 145 psi (0.3 - 10 bars)
Electrical connection	120 V, 12 A, 60 Hz
Total power	1400 W
Heater power	1100 W

INSTALLATION INSTRUCTIONS

MOUNTING BRACKETS

The mounting brackets should be used when the dishwasher is installed in cabinetry. Use of parts other than the supplied brackets may result in damage to property or bodily injury.

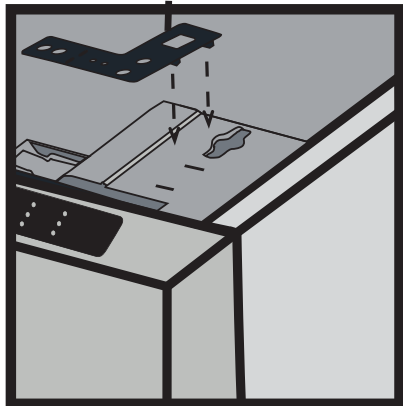
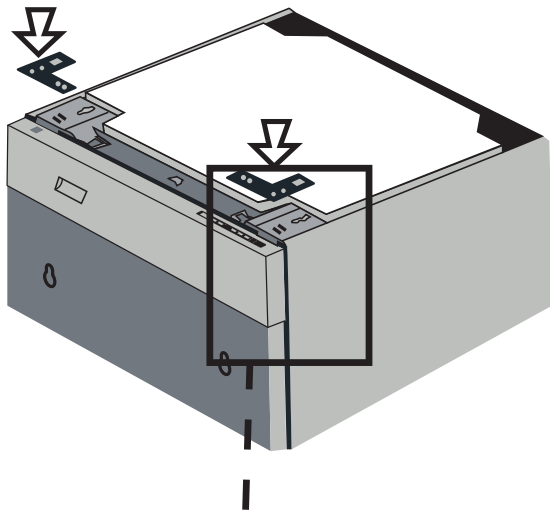
The power supply receptacle for the appliance should be installed in a cabinet or on a wall adjacent to the under counter space where the appliance will be installed.

There should be an opening through the partition between the compartments that is large enough for the plug to pass through. The opening should not be more than 1.5" (3.8 cm) large.

If the cabinetry is made of wood, ensure the sides of the hole are smooth and rounded. If the cabinetry is made of metal, cover the edges of the hole with an edge protector provided for this purpose by the manufacturer. This is to ensure there is no damage to the power cord when passing through the partition.

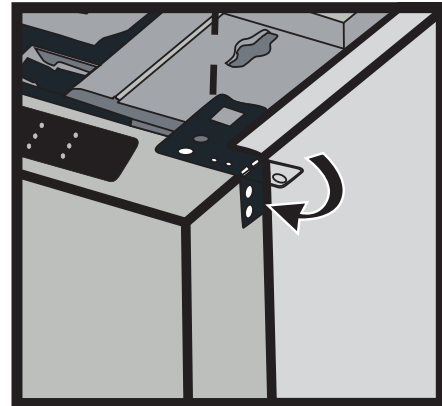
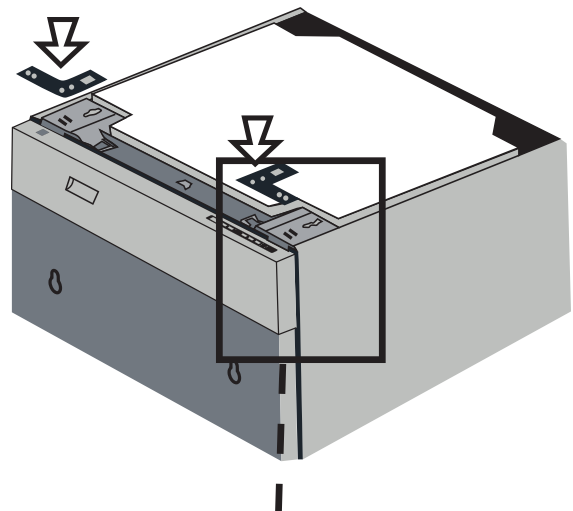
Wood Counter Top Board

If the counter top board is made of wood, place the two mounting brackets into the top corners of the dishwasher as shown and bend the sides of the brackets if necessary.



Other Types of Counter Top Board

If the counter top board is made of ceramic or other material, place the two mounting brackets into the top corners of the dishwasher as shown and bend the sides of the brackets if necessary.



INSTALLATION INSTRUCTIONS

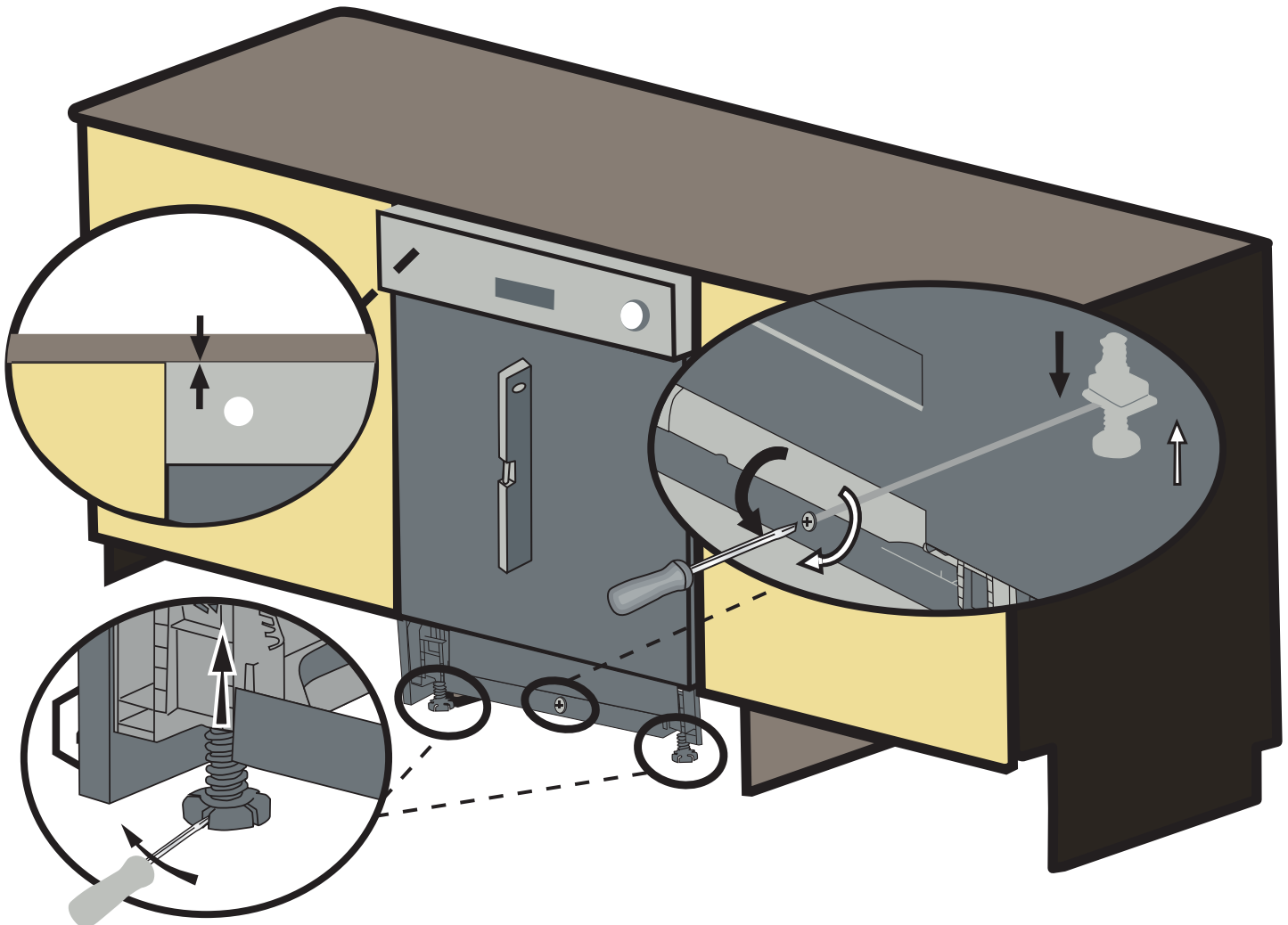
ADJUST HEIGHT

First step: before the dishwasher is placed in the cabinetry the front feet are closed until the end and the dishwasher is placed in the cabinetry.

Second step: adjust the fore foot level with a slot screwdriver to stabilize the dishwasher and raise it to the enclosure height.

Third step: adjust the rear foot level with a Phillips screwdriver to balance and raise the dishwasher to the enclosure height.

- Make sure the dishwasher is plumb and notice dishwasher can be placed with a small clearance under the counter top.
- For front feet, turning the feet in the direction of the black arrows with the slot screwdriver allows the dishwasher to move downwards.
- For rear feet, turning the Phillips screwdriver in the direction of the black arrows will take the dishwasher feet down.



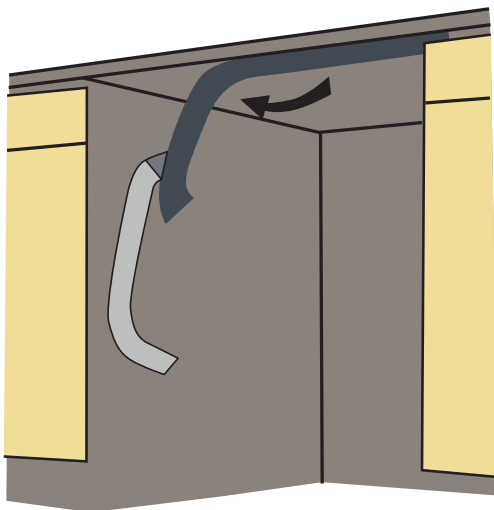
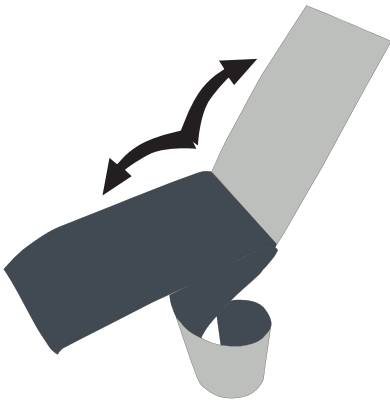
INSTALLATION INSTRUCTIONS

STEAM PROTECTION FOIL

Steam will be produced when the dishwasher door is opened during the operating of the dishwasher and after the completion of a cycle. Install the steam protection foil on the underside of the counter top to prevent the steam from damaging the counter.

Clean the underside of the counter with a damp cloth before applying the steam protection foil to ensure the area is clean. Remove the backing from the foil and place the sticky side of the foil on the underside of the counter as shown.

Steam protection foil must be applied where the steam escapes when the door is opened. Failure to install the steam protection foil during installation can lead to damage to the cabinets and counter top.



WATER SUPPLY CONNECTION

Water can be supplied to the dishwasher in two ways:

- with metal braided hose
- with copper tubing

Hot water supply line: use a minimum 3/4" O.D. copper tubing or metal braided dishwasher supply line.

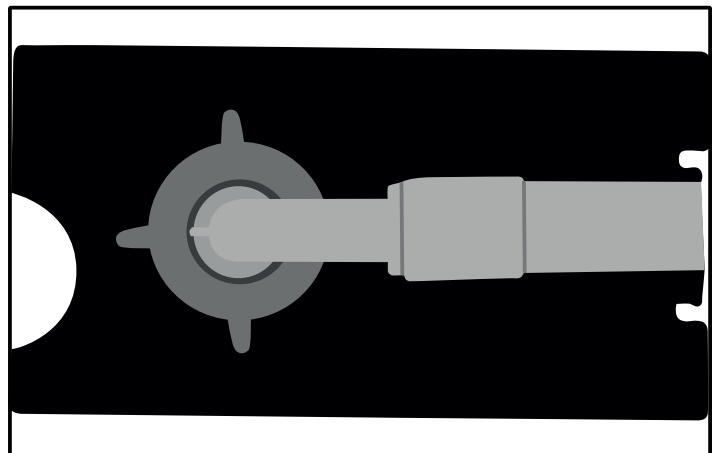
Water inlet valve of the dishwasher has 3/4" - 11.5 NH inlet coupling thread dimension according to ASME B1.20.7-1991.

When purchasing a water inlet hose, choose the thread dimensions of the inlet hose as compatible with indicated water inlet valve inlet coupling thread dimension 3/4" - 11.5 NH of the dishwasher.

Temperatures required for soldering and sweating will damage the dishwasher's water inlet valve so if any such operation is needed, keep the heat source a minimum of 77/8" (20 cm) away from the dishwasher's water inlet valve.

There should not be any sharp bends in the water line that may restrict the water flow.

Teflon tape or pipe tread compound must be used for sealing the connection. Before connecting the copper water supply line to the dishwasher, flush it with hot water to clear any foreign material.

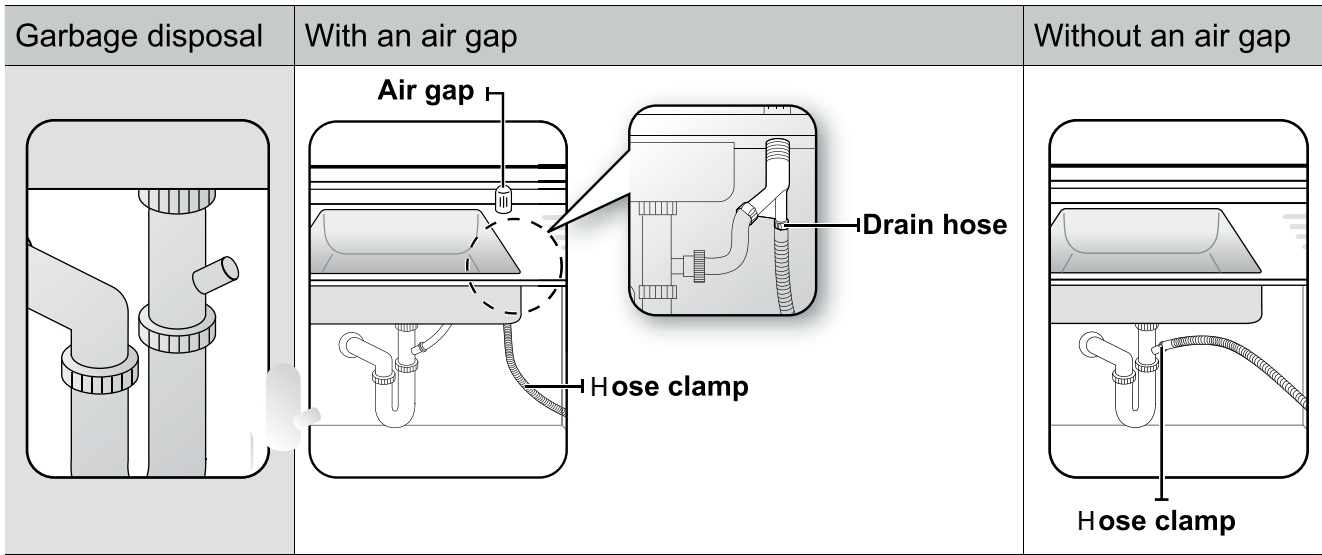


INSTALLATION INSTRUCTIONS

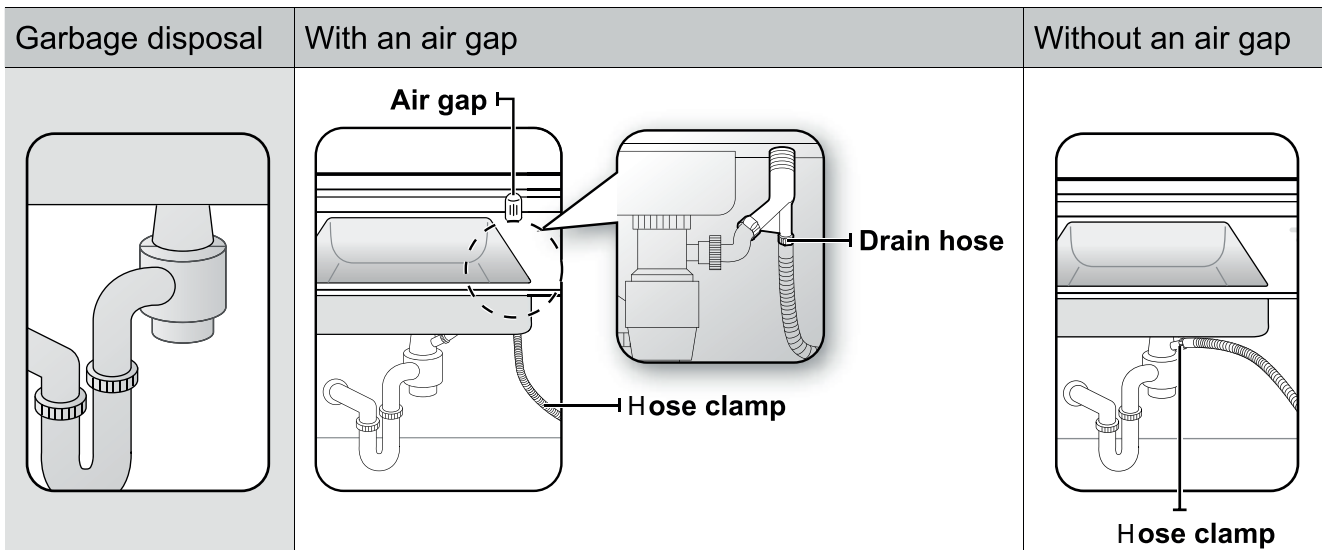
DRAIN HOSE CONNECTION

Check the parts on the sink to which the drain hose will be connected. There are several ways to insert the drain hose into the drain hose connector of the sink as shown in the below images. Connect the drain hose in accordance with the water pipe installation regulations in your region.

Without Disposal



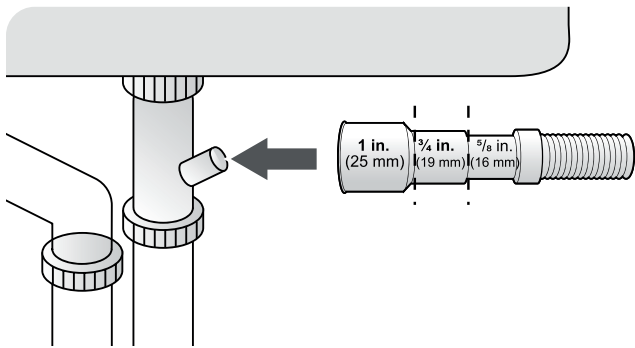
With Disposal



INSTALLATION INSTRUCTIONS

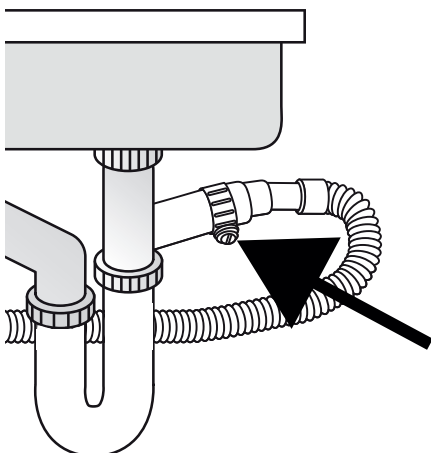
DRAIN HOSE CONNECTION

Check the size of the sink's drain hose connector. If needed, cut the drain hose on one of the dotted lines so its end fits onto the sink connector (5/8", 3/4" or 1"). If the end of the drain hose does not fit onto the drain hose connector of the sink, use an adapter purchasable at a plumbing or hardware supply store.

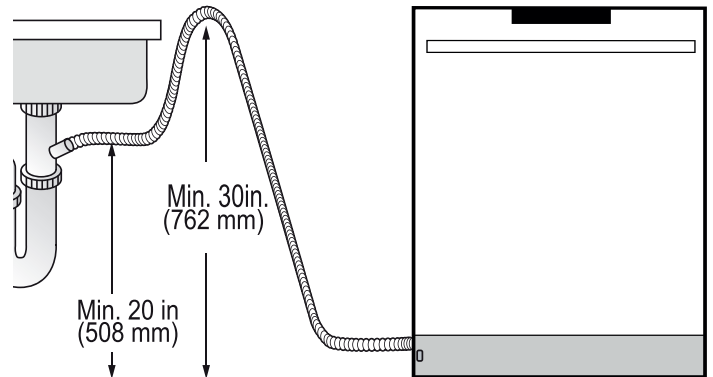


Be careful when cutting off the end of the drain hose as there is a risk of injury. Clean around the sink's drain connection so that it does not damage the hose. Check for any foreign items in the drain hose and remove them. Make sure the drain hose is not cut or damaged by any sharp edges. A damaged drain hose can leak.

Slide a hose clamp over the end of the drain hose. Attach the drain hose to the sink connector, slide the hose clamp to the end of the hose and then tighten the hose clamp. Note, you must use a hose clamp. Failure to do so can cause leaks.



If there is no air gap make sure to hang the middle of the drain hose well above the sink cabinet base to prevent back flow.



When drilling a hole for the drain hose in the cabinet wall, take caution not to damage the drain hose by sharp edges of the hole. On wooden walls, use sanding to soften the edges. On metal walls, use insulation tape or duct tape to cover the sharp edges around the hole.

Be careful not to damage the drain hose when installing the dishwasher. To prevent leaks or drainage problems make sure the drain hose is not damaged, kinked or twisted.

Do not cut the wrinkled area of the drain hose to fit the size. When arranging the drain hose, take care not to let it touch sharp edges of the cabinet or sink.

INSTALLATION INSTRUCTIONS

INSTALLER CHECKLIST

Check the following:

- The dishwasher is square and level
- The dishwasher is fastened securely to the cabinet
- The door opens and closes freely without hitting the cabinetry or counter top
- The inlet water supply does not leak
- The drain hose is connected, there are no bends or kinks in it and it does not leak
- The drain hose must be installed with a 28" (71 cm) high drain loop for drain hook ups without any air removed
- The the drain hose is connected to a trap spigot under the sink, remove the plastic membrane so that remaining food does not cause a blockage in the drain hose spigot and ensure a hose clamp is used to secure the hose to the spigot
- The spray arms can rotate freely
- The rinse cycle has been run
- The water level will be below the filter screen after the end of the wash program
- It is normal to find some water in the drain filter area

FINAL TEST

1. Press the on/off button to turn the dishwasher on.
2. Power indicator light comes on.
3. Use the program select button to choose a washing program.
4. Start the program with the start/pause/cancel button.
5. Run the dishwasher through one complete cycle. When the wash cycle is completed use the on/off button to turn the dishwasher off.

TROUBLESHOOTING TIPS

The display screen does not turn on

- Check to make sure the breaker to the dishwasher is turned on.
- Check to make sure the power cord is plugged in.

No water is entering the dishwasher

- Check to make sure the water shut off is in the on position.

Water does not drain from the dishwasher

- Make sure the drain hose is not kinked or comes out of air gap next to the sink.
- Remove the drain hose from the disposal and make sure the plug is removed.



Consignes de sécurité importantes

LIRE ET SUIVRE TOUTES LES INSTRUCTIONS DE SÉCURITÉ

En plus de ces instructions, le lave-vaisselle doit être installé:

- Conformément à tous les codes locaux ou, en l'absence de codes locaux,
- Aux États-Unis, avec le National Electric Code,
- Au Canada, avec le Code canadien de l'électricité C22.1 - dernière édition, les codes provinciaux et municipaux et / ou les codes locaux.

Lisez complètement ces instructions d'installation avant de procéder à l'installation et suivez-les attentivement. Conservez ces instructions d'installation et transmettez-les à tout futur utilisateur.

Lors de l'installation du lave-vaisselle, suivez les précautions de base, notamment les suivantes:

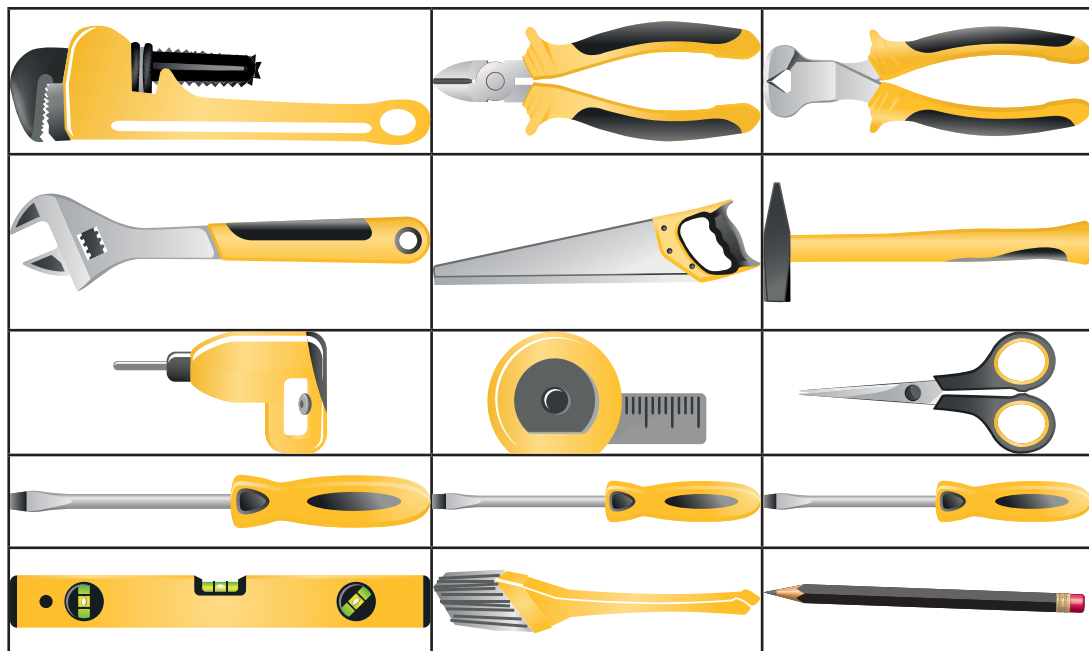
- Le lave-vaisselle ne peut être converti que d'un cordon connecté à une connexion permanente par un représentant de service autorisé. Si nécessaire, contactez votre revendeur pour planifier la conversion d'un agent de service autorisé avec un kit de conversion approprié.
- L'installation et la réparation doivent être effectuées par un installateur qualifié. Le travail effectué par des personnes non qualifiées peut être dangereux et annuler la garantie.
- Le lave-vaisselle doit être installé par un plombier agréé, un entrepreneur ou un installateur qualifié. L'installation effectuée par des personnes autres que celles-ci peut entraîner une mauvaise installation et des dommages matériels.
- N'utilisez pas l'appareil s'il est endommagé, défectueux, partiellement démonté ou s'il a des pièces manquantes ou cassées.
- Suivez également les consignes de sécurité du manuel d'utilisation.
- Pour réduire les risques d'électrocution, d'incendie ou de blessures corporelles, l'installateur doit s'assurer que le lave-vaisselle est complètement fermé au moment de l'installation.
- Ne branchez le lave-vaisselle à l'alimentation électrique que lorsque tous les travaux d'installation et de plomberie sont terminés.
- Si le lave-vaisselle est installé dans un endroit soumis à des températures glaciales, comme une maison de vacances ou une cabine, vous devez vidanger toute l'eau de l'intérieur du lave-vaisselle. Les ruptures du système d'eau résultant du gel ne sont pas couvertes par la garantie.
- Le lave-vaisselle doit être fixé aux armoires adjacentes à l'aide des supports fournis. Le non-respect de cette consigne peut entraîner des dommages matériels ou corporels.
- Connectez-vous à un circuit d'alimentation correctement évalué, protégé et dimensionné pour éviter une surcharge électrique. Le lave-vaisselle est conçu pour une alimentation électrique de 120 V, 60 Hz, CA, connecté à un circuit électrique dédié au lave-vaisselle, correctement mis à la terre avec un fusible ou des disjoncteurs de 15 ampères. Les conducteurs d'alimentation électrique doivent être constitués d'au moins un fil de cuivre n° 14 AWG évalué à 75 ° C (167 ° F) ou plus. Ces exigences doivent être respectées pour éviter les blessures et les dommages. Consultez un électricien qualifié en cas de doute.
- Ce lave-vaisselle comprend un élément chauffant. Ne touchez pas l'élément chauffant pendant ou immédiatement après l'utilisation.
- N'utilisez pas de rallonge ni de prise de courant portable pour connecter le lave-vaisselle à une alimentation électrique.
- Assurez-vous que tous les emballages en plastique, sacs, petits morceaux, etc. sont jetés en toute sécurité et hors de portée des enfants. Risque d'étouffement!
- Retirez la porte du compartiment de lavage lorsque vous retirez un ancien lave-vaisselle du service ou le jetez. Assurez-vous que l'appareil ne présente aucun danger pour les enfants lors de son stockage en vue de son élimination.
- Les vieux appareils peuvent contenir des matériaux recyclés. Veuillez contacter votre autorité de recyclage locale au sujet de la possibilité de recycler ces matériaux.
- Le tuyau de vidange du lave-vaisselle doit être installé avec une boucle de vidange à au moins 28 "(71 cm) du plancher de l'armoire; Sinon, le lave-vaisselle pourrait ne pas se vidanger correctement.
- Ce lave-vaisselle est destiné à un usage résidentiel uniquement et ne doit pas être utilisé dans des établissements commerciaux.
- Si le lave-vaisselle est une nouvelle installation, la plupart des travaux doivent être effectués avant que le lave-vaisselle ne soit mis en place.
- Si le lave-vaisselle remplace un autre lave-vaisselle, vérifiez la compatibilité des connexions existantes du lave-vaisselle avec le nouveau lave-vaisselle et remplacez les pièces si nécessaire.

GARDER CES INSTRUCTIONS!

INSTRUCTIONS D'INSTALLATION

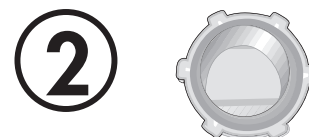
OUTILS REQUIS

1. Clé à pipe
2. Coupe-fil
3. Pince à dénuder
4. Clé à molette
5. Vu
6. Marteau
7. Percer
8. Mètre à ruban
9. Les ciseaux
10. Tournevis Torx
11. tournevis cruciforme
12. Tournevis à fente
13. Niveau
14. Brosse
15. Crayon



MATÉRIAUX NÉCESSAIRES

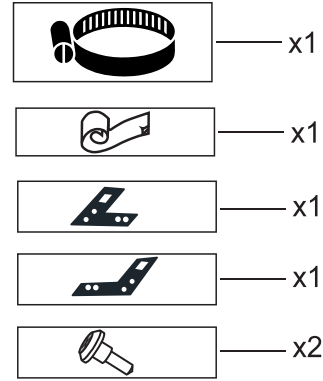
1. Conduite d'alimentation en eau chaude - diamètre extérieur minimum de 3/4". tuyauterie en cuivre ou conduite d'alimentation en tresse métallique pour lave-vaisselle
2. Connecteur de conduit ou décharge de traction homologué UL
3. Ruban de téflon ou autre composé de filetage de tuyau pour sceller les connexions de plomberie
4. Vanne d'arrêt et raccords appropriés pour la conduite d'alimentation en eau chaude (tube en cuivre / raccord à compression ou tuyau tressé)
5. Silicone
6. La colle



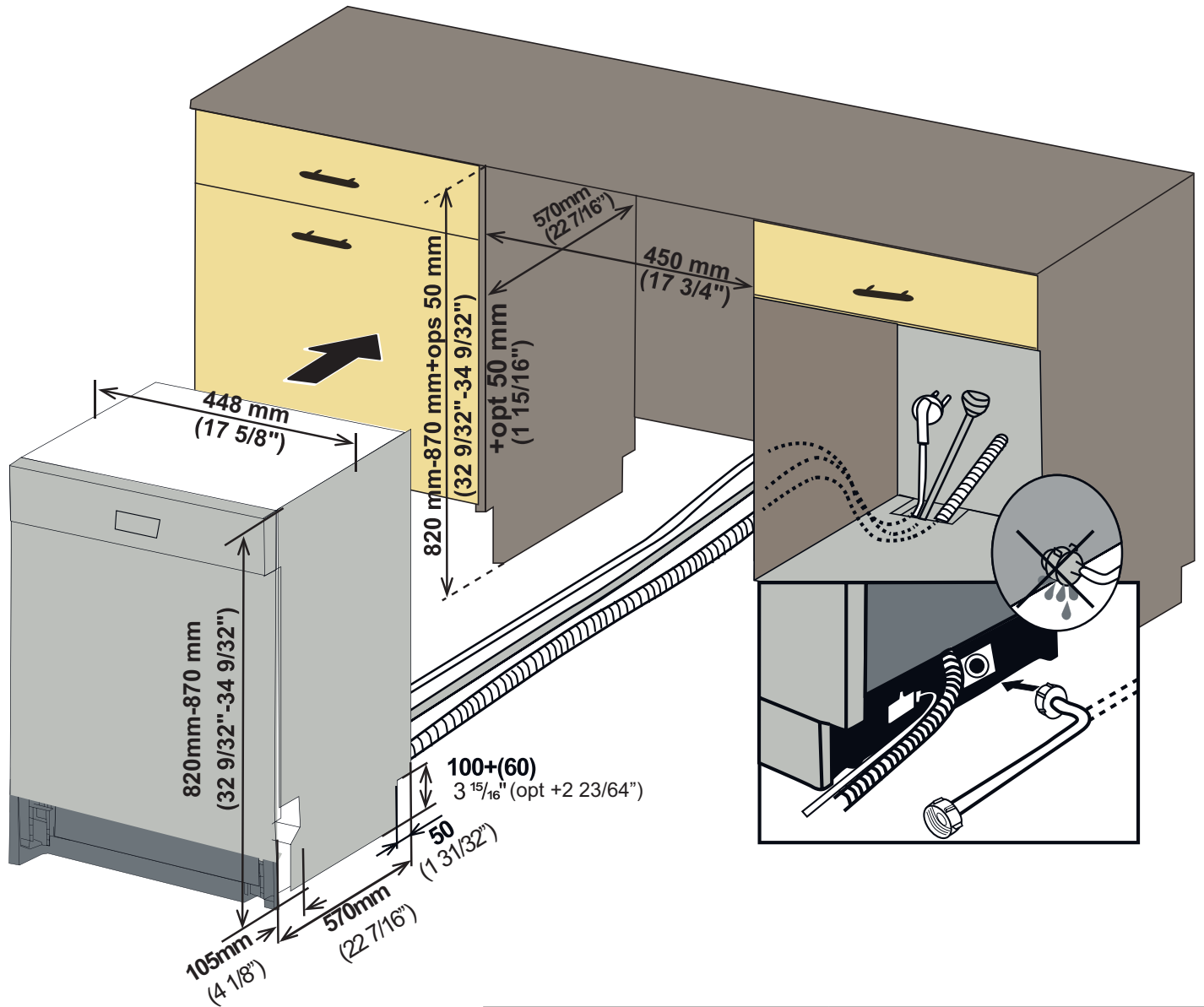
INSTRUCTIONS D'INSTALLATION

ACCESSOIRES

1. Collier de serrage
2. Film de protection contre la vapeur
3. Support de montage gauche
4. Support de montage droit
5. Vis $\varnothing 5/32'' \times 27/32''$ ($\varnothing 4 \text{ mm} \times 21,5 \text{ mm}$)



SPÉCIFICATIONS DU LAVE-VAISSELLE



La capacité de charge	10 paramètres de lieu
Pression d'eau admissible	43.5 - 145 psi (0.3 - 10 bars)
Connexion électrique	120 V, 12 A, 60 Hz
Pouvoir total	1400 W
Puissance de chauffage	1100 W

INSTRUCTIONS D'INSTALLATION

SUPPORTS DE MONTAGE

Les supports de montage doivent être utilisés lorsque le lave-vaisselle est installé dans des armoires. L'utilisation de pièces autres que les supports fournis peut entraîner des dommages matériels ou corporels.

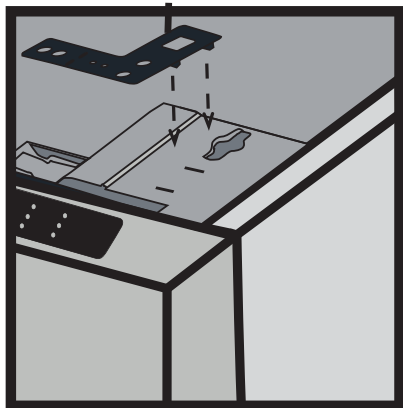
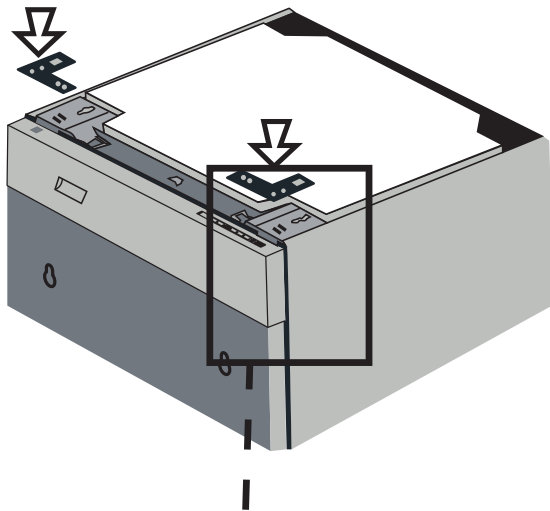
La prise d'alimentation de l'appareil doit être installée dans une armoire ou sur un mur adjacent à l'espace sous le comptoir où l'appareil sera installé.

Il devrait y avoir une ouverture à travers la cloison entre les compartiments suffisamment grande pour que la fiche puisse passer. L'ouverture ne doit pas mesurer plus de 1,5" (3,8 cm) de large.

Les armoires sont en bois, assurez-vous que les côtés du trou sont lisses et arrondis. Si l'armoire est en métal, couvrez les bords du trou avec un protecteur de bord fourni à cet effet par le fabricant. Ceci permet de garantir que le cordon d'alimentation n'est pas endommagé lors du passage à travers la partition.

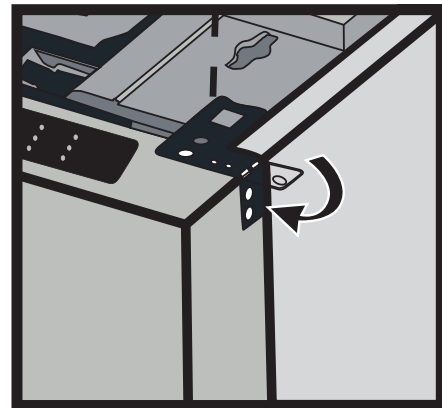
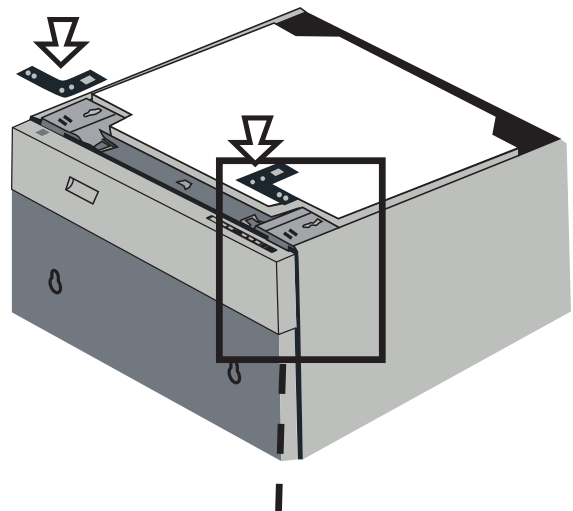
Panneau de comptoir en bois

Si la planche de comptoir est en bois, placez les deux supports de montage dans les coins supérieurs du lave-vaisselle comme illustré et pliez les côtés des supports si nécessaire.



Autres types de panneaux de comptoir

Si le panneau de comptoir est en céramique ou autre matériau, placez les deux supports de montage dans les coins supérieurs du lave-vaisselle comme illustré et pliez les côtés des supports si nécessaire.



INSTRUCTIONS D'INSTALLATION

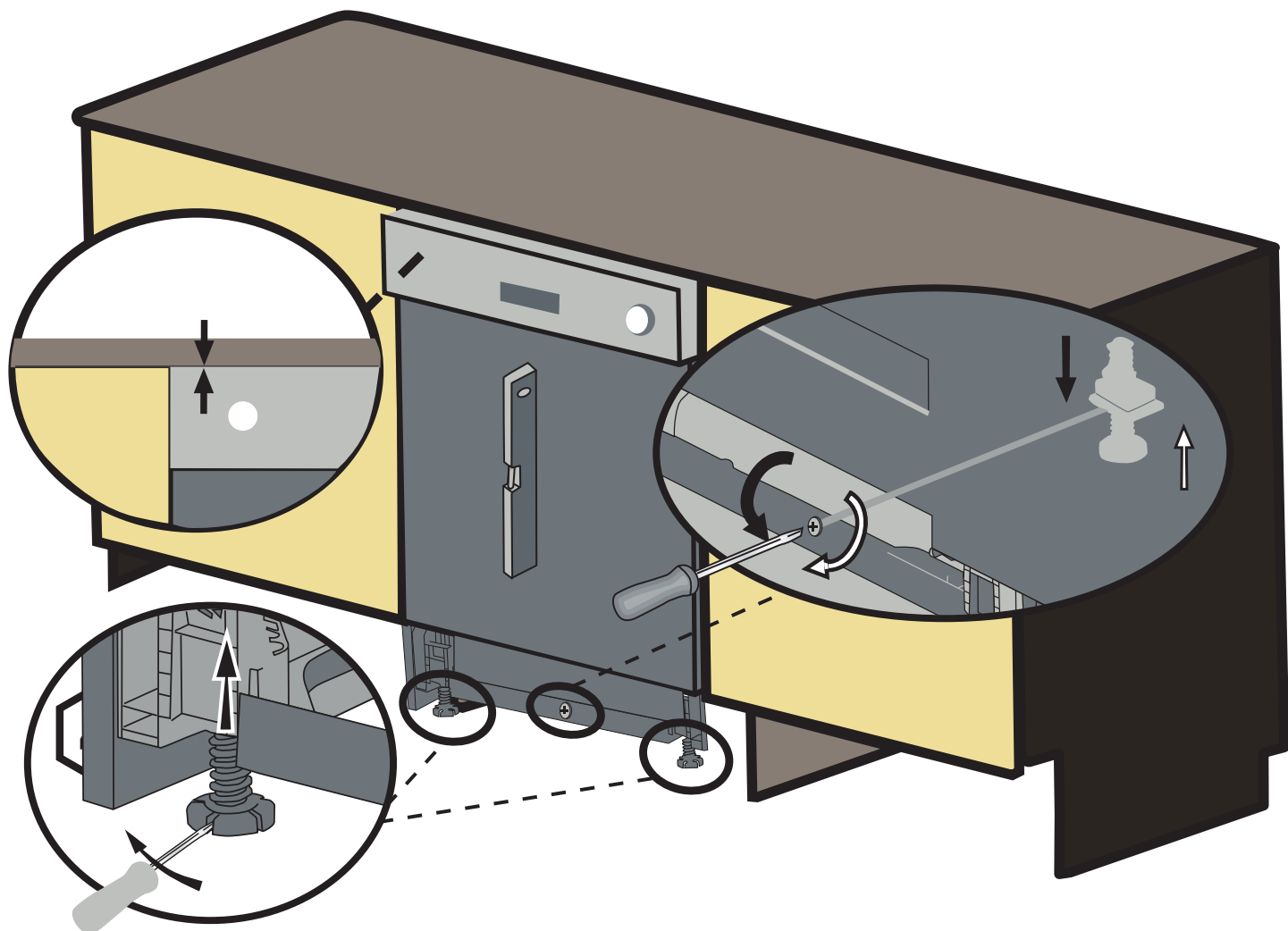
RÉGLER LA HAUTEUR

Première étape: avant de placer le lave-vaisselle dans les armoires, la sensation avant est fermée jusqu'à la fin et le lave-vaisselle est placé dans les armoires.

Deuxième étape: réglez le niveau du pied avant à l'aide d'un tournevis à fente pour stabiliser le lave-vaisselle et le relever à la hauteur du boîtier.

Troisième étape: ajustez le niveau du pied arrière avec un tournevis cruciforme pour équilibrer et élever le lave-vaisselle à la hauteur du boîtier.

- Assurez-vous que le lave-vaisselle est d'aplomb et notez que le lave-vaisselle peut être placé avec un petit décalage sous le comptoir.
- Pour les pieds avant, tourner les pieds dans le sens des flèches noires avec le tournevis à fente permet au lave-vaisselle de se déplacer vers le bas.
- Pour les pieds arrière, tourner le tournevis cruciforme dans le sens des flèches noires fera descendre les pieds du lave-vaisselle.



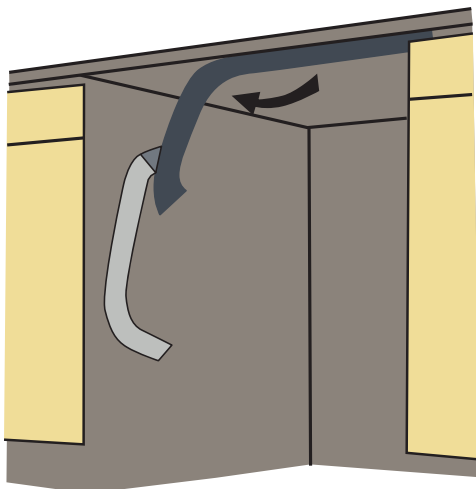
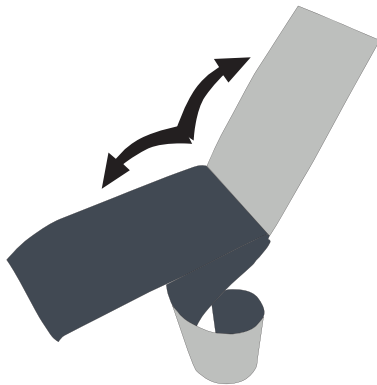
INSTRUCTIONS D'INSTALLATION

FEUILLE DE PROTECTION VAPEUR

De la vapeur sera produite lorsque la porte du lave-vaisselle est ouverte pendant le fonctionnement du lave-vaisselle et après la fin d'un cycle. Installez la feuille de protection contre la vapeur sur la face inférieure du comptoir pour éviter que la vapeur n'endommage le comptoir.

Nettoyez le dessous du comptoir avec un chiffon humide avant d'appliquer le film de protection contre la vapeur pour vous assurer que la zone est propre. Retirez le support de la feuille et placez le côté collant de la feuille sur la face inférieure du comptoir comme illustré.

Une feuille de protection contre la vapeur doit être appliquée là où la vapeur s'échappe lorsque la porte est ouverte. Le fait de ne pas installer la feuille de protection contre la vapeur pendant l'installation peut endommager les armoires et le comptoir.



RACCORDEMENT D'ALIMENTATION EN EAU

L'eau peut être fournie au lave-vaisselle de deux manières:

- avec tuyau tressé en métal
- avec tube en cuivre

Conduite d'alimentation en eau chaude: utilisez un diamètre extérieur minimum de 3/4" tuyauterie en cuivre ou conduite d'alimentation en tresse métallique pour lave-vaisselle

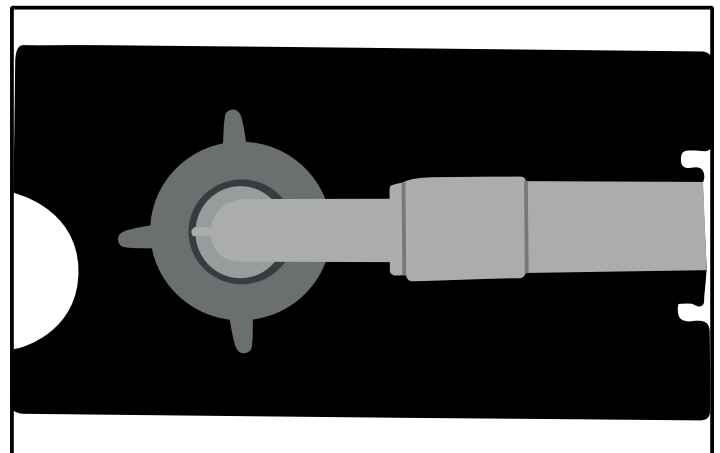
La vanne d'entrée d'eau du lave-vaisselle a une dimension de filetage d'accouplement d'entrée de 3/4" - 11,5 NH selon ASME B1.20.7-1991.

Lors de l'achat d'un tuyau d'arrivée d'eau, choisissez les dimensions de filetage du tuyau d'arrivée comme compatibles avec la dimension de filetage de couplage d'entrée de vanne d'entrée d'eau indiquée 3/4" - 11.5 NH du lave-vaisselle.

Les températures requises pour le soudage et la transpiration endommageront la vanne d'entrée d'eau du lave-vaisselle. Si une telle opération est nécessaire, gardez la source de chaleur à au moins 77/8" (20 cm) de la vanne d'entrée d'eau du lave-vaisselle.

Il ne doit pas y avoir de courbures brusques dans la conduite d'eau qui pourraient restreindre le débit d'eau.

Un ruban en téflon ou un composé de bande de roulement doit être utilisé pour sceller la connexion. Avant de raccorder la conduite d'alimentation en eau en cuivre au lave-vaisselle, rincez-la à l'eau chaude pour éliminer tout corps étranger.

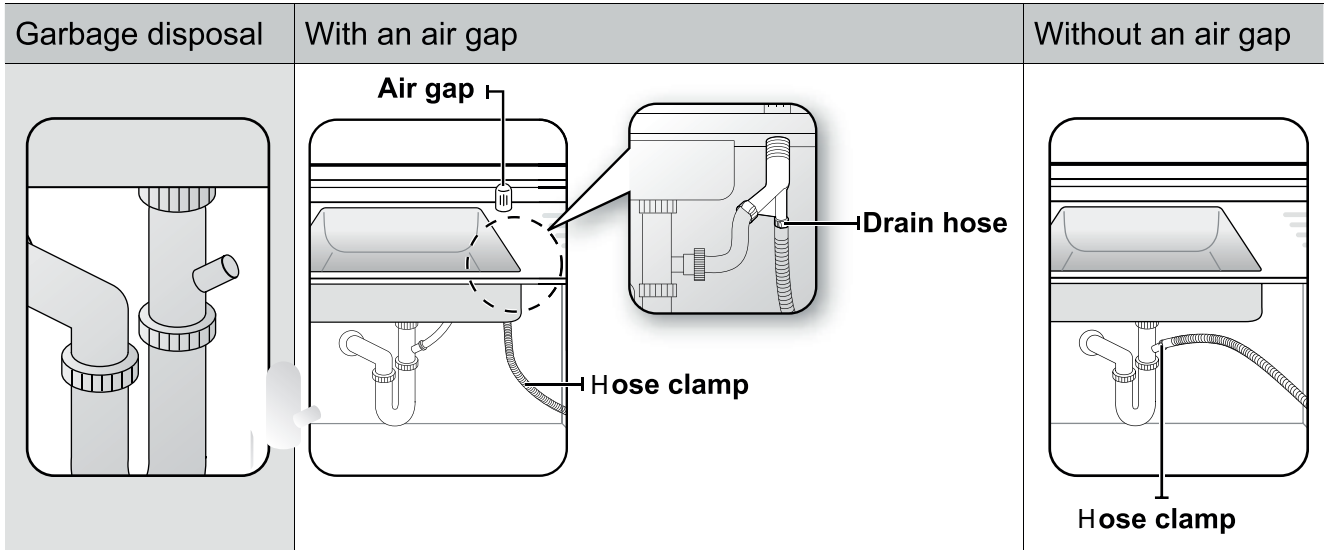


INSTRUCTIONS D'INSTALLATION

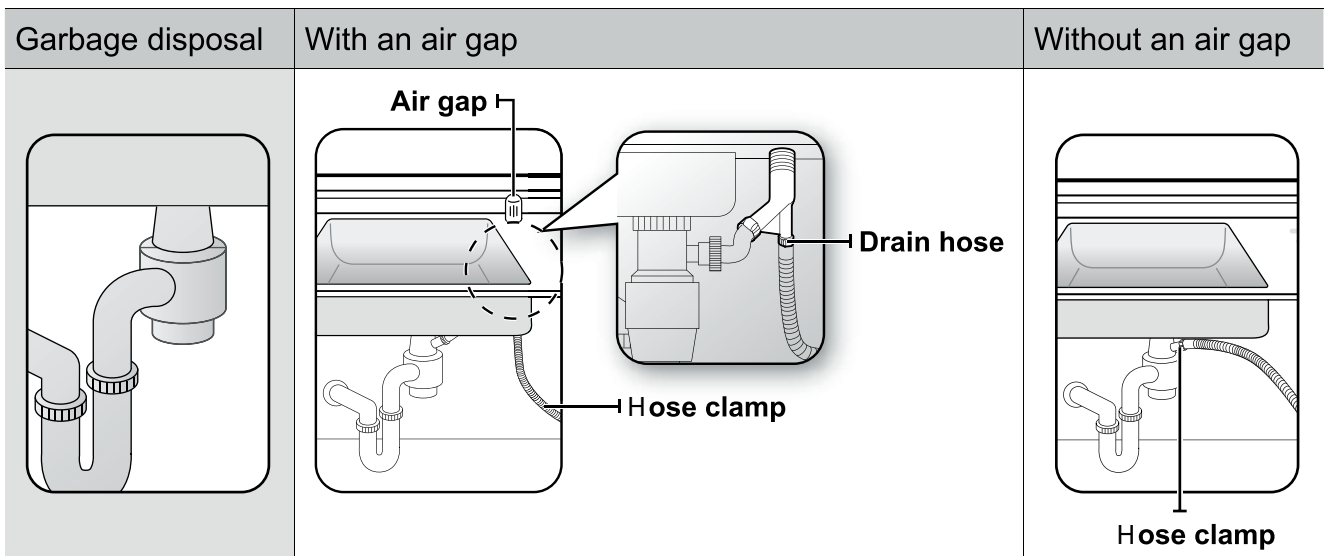
RACCORDEMENT DU TUYAU DE VIDANGE

Vérifiez les pièces de l'évier auxquelles le tuyau de vidange sera connecté. Il existe plusieurs façons d'insérer le tuyau de vidange dans le connecteur du tuyau de vidange de l'évier, comme indiqué dans les images ci-dessous. Branchez le tuyau de vidange conformément aux réglementations d'installation des conduites d'eau de votre région.

Sans élimination



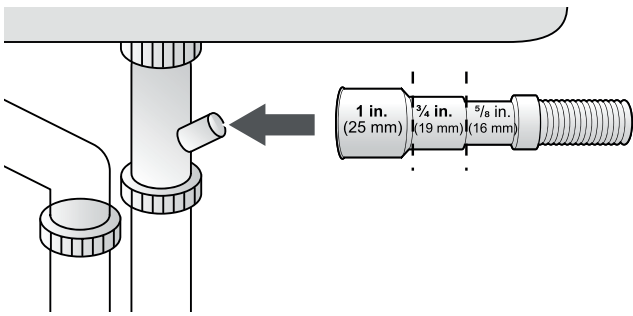
Avec élimination



INSTRUCTIONS D'INSTALLATION

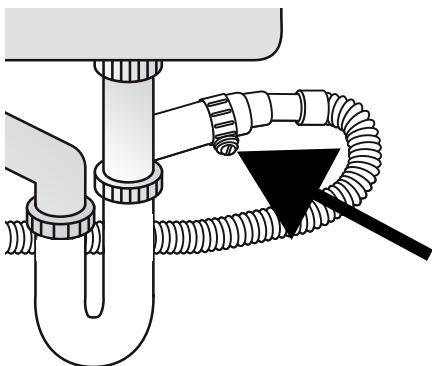
RACCORDEMENT DU TUYAU DE VIDANGE

Vérifiez la taille du connecteur du tuyau de vidange de l'évier. Si nécessaire, coupez le tuyau de vidange sur l'une des lignes pointillées pour que son extrémité s'adapte au connecteur de l'évier (5/8", 3/4" ou 1"). Si l'extrémité du tuyau de vidange ne rentre pas sur le connecteur du tuyau de vidange de l'évier, utilisez un adaptateur achetable dans un magasin de matériel de plomberie ou de quincaillerie.

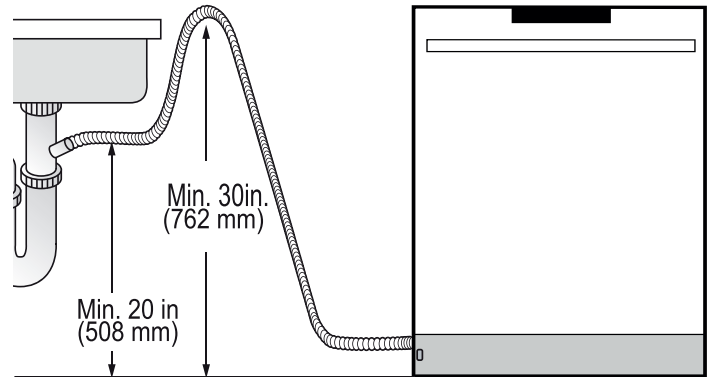


Soyez prudent lorsque vous coupez l'extrémité du tuyau de vidange car il y a un risque de blessure. Nettoyez autour du raccord de vidange de l'évier afin qu'il n'endommage pas le tuyau. Vérifiez la présence d'éléments étrangers dans le tuyau de vidange et retirez-les. Assurez-vous que le tuyau de vidange n'est pas coupé ou endommagé par des bords tranchants. Un tuyau de vidange endommagé peut fuir.

Faites glisser un collier de serrage sur l'extrémité du tuyau de vidange. Fixez le tuyau de vidange au connecteur de l'évier, faites glisser le collier de serrage jusqu'à l'extrémité du tuyau, puis serrez le collier de serrage. Remarque, vous devez utiliser un collier de serrage. Le non-respect de cette consigne peut provoquer des fuites.



S'il n'y a pas d'espace d'air, assurez-vous de suspendre le milieu du tuyau de vidange bien au-dessus de la base du meuble de l'évier pour éviter tout reflux.



Lorsque vous percez un trou pour le tuyau de vidange dans la paroi de l'armoire, veillez à ne pas endommager le tuyau de vidange par les bords tranchants du trou. Sur les murs en bois, utilisez un ponçage pour adoucir les bords. Sur les murs métalliques, utilisez du ruban isolant ou du ruban adhésif pour couvrir les arêtes vives autour du trou.

Veillez à ne pas endommager le tuyau de vidange lors de l'installation du lave-vaisselle. Pour éviter les fuites ou les problèmes de drainage, assurez-vous que le tuyau de vidange n'est pas endommagé, plié ou tordu.

Ne coupez pas la zone froissée du tuyau de vidange pour l'adapter à la taille. Lors de la disposition du tuyau de vidange, veillez à ne pas le laisser toucher les bords tranchants du meuble ou de l'évier.

INSTRUCTIONS D'INSTALLATION

LISTE DE VÉRIFICATION DE L'INSTALLATEUR

Vérifiez les éléments suivants:

- Le lave-vaisselle est carré et de niveau
- Le lave-vaisselle est solidement fixé au meuble
- La porte s'ouvre et se ferme librement sans heurter les armoires ou le comptoir
- L'arrivée d'eau ne fuit pas
- Le tuyau de vidange est connecté, il n'y a pas de coudes ou de plis et il ne fuit pas
- Le tuyau de vidange doit être installé avec une boucle de vidange de 28" (71 cm) de hauteur pour les raccords de vidange sans évacuation d'air
- Le tuyau de vidange est connecté à un robinet de siphon sous l'évier, retirez la membrane en plastique afin que les aliments restants ne provoquent pas de blocage dans le robinet du tuyau de vidange et assurez-vous qu'un collier de serrage est utilisé pour fixer le tuyau au robinet
- Les bras gicleurs peuvent tourner librement
- Le cycle de rinçage a été exécuté
- Le niveau d'eau sera en dessous du tamis du filtre après la fin du programme de lavage
- Il est normal de trouver de l'eau dans la zone du filtre de vidange

EXAMEN FINAL

1. Appuyez sur le bouton marche / arrêt pour mettre le lave-vaisselle en marche.
2. Le voyant d'alimentation s'allume.
3. Utilisez le bouton de sélection de programme pour choisir un programme de lavage.
4. Démarrez le programme avec la touche Départ / Pause / Annulation.
5. Faites fonctionner le lave-vaisselle pendant un cycle complet. Lorsque le cycle de lavage est terminé, utilisez le bouton marche / arrêt pour éteindre le lave-vaisselle.

DES CONSEILS DE DÉPANNAGE

L'écran d'affichage ne s'allume pas

- Assurez-vous que le disjoncteur du lave-vaisselle est activé.
- Assurez-vous que le cordon d'alimentation est branché.

Aucune eau ne pénètre dans le lave-vaisselle

- Assurez-vous que le robinet d'eau est en position de marche.

L'eau ne s'écoule pas du lave-vaisselle

- Assurez-vous que le tuyau de vidange n'est pas plié ou ne sort pas de l'entrefer à côté de l'évier.
- Retirez le tuyau de vidange de la poubelle et assurez-vous que le bouchon est retiré.



Importantes Instrucciones de Seguridad

LEA Y SIGA TODAS LAS INSTRUCCIONES DE SEGURIDAD

Además de estas instrucciones, el lavavajillas debe instalarse:

- De acuerdo con todos los códigos locales o, en ausencia de códigos locales,
- En los Estados Unidos, con el Código Eléctrico Nacional,
- En Canadá, con el Código Eléctrico Canadiense C22.1 - última edición, códigos provinciales y municipales y / o códigos locales.

Lea estas instrucciones de instalación completamente antes de instalar y sígala cuidadosamente. Guarde estas instrucciones de instalación y entréguelas a cualquier usuario futuro.

Al instalar el lavavajillas, siga las precauciones básicas, incluidas las siguientes:

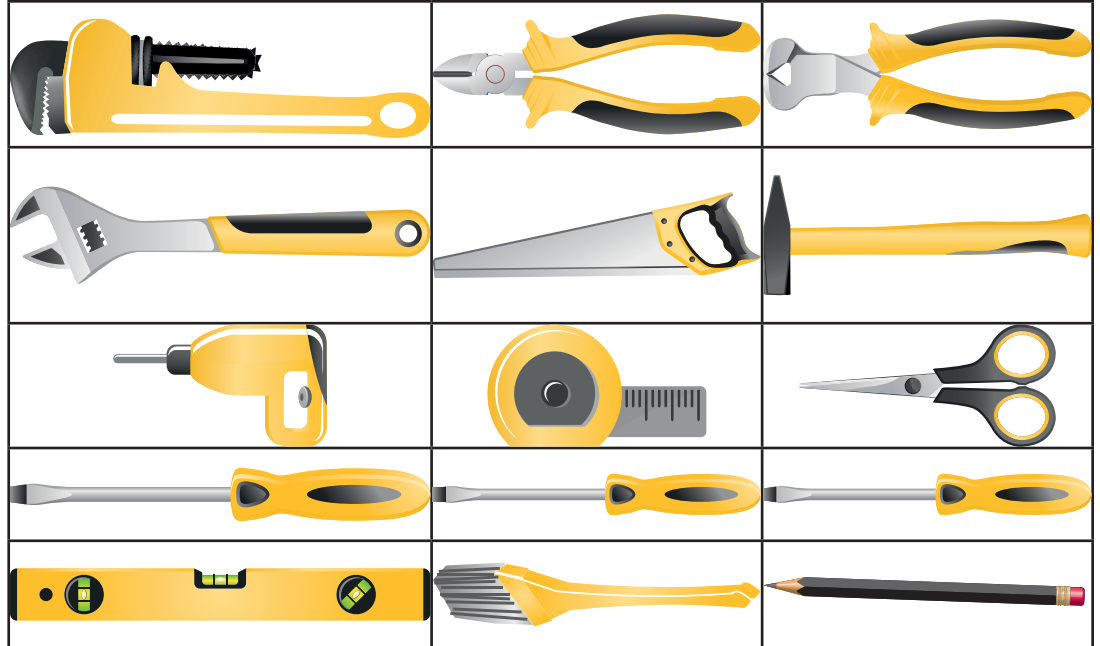
- El lavavajillas solo se puede convertir de un cable conectado a uno permanentemente conectado por un representante de servicio autorizado. Si es necesario, comuníquese con su distribuidor para programar un agente de servicio autorizado para la conversión con un juego de conversión apropiado.
- La instalación y reparación deben ser realizadas por un instalador calificado. El trabajo realizado por personas no calificadas puede ser peligroso y puede anular la garantía.
- El lavavajillas debe ser instalado por un plomero, un contratista o un instalador capacitado con licencia asegurada. La instalación realizada por personas distintas de estas podría resultar en una instalación incorrecta y daños a la propiedad.
- No opere el aparato si está dañado, funciona mal, está parcialmente desmontado o si le faltan piezas o están rotas.
- Siga también las instrucciones de seguridad del manual del usuario.
- Para reducir el riesgo de descarga eléctrica, incendio o lesiones a las personas, el instalador debe asegurarse de que el lavavajillas esté completamente cerrado en el momento de la instalación.
- Solo conecte el lavavajillas a la fuente de alimentación cuando se hayan completado todos los trabajos de instalación y plomería.
- Si el lavavajillas está instalado en un lugar que experimenta temperaturas bajo cero, como una casa de vacaciones o una cabaña, debe drenar toda el agua del interior del lavavajillas. Las roturas del sistema de agua que ocurren como resultado de la congelación no están cubiertas por la garantía.
- El lavavajillas debe asegurarse a los gabinetes adyacentes utilizando los soportes provistos. No hacerlo puede causar daños a la propiedad o lesiones corporales.
- Conéctelo a un circuito de suministro de energía con la clasificación, protección y tamaño adecuados para evitar una sobrecarga eléctrica. El lavavajillas está diseñado para un suministro eléctrico de 120 V, 60 Hz, CA, conectado a un circuito eléctrico dedicado al lavavajillas y debidamente conectado a tierra con fusible o disyuntores de 15 amperios. Los conductores de suministro eléctrico deben tener un mínimo de alambre de cobre #14 AWG con una clasificación de 75°C (167°F) o más. Estos requisitos deben cumplirse para evitar lesiones y daños. Consulte a un electricista calificado en caso de duda.
- Este lavavajillas incluye un elemento calefactor. No toque el elemento calefactor durante o inmediatamente después de su uso.
- No utilice ningún cable de extensión o dispositivo de salida portátil para conectar el lavavajillas a una fuente de alimentación.
- Asegúrese de que los envoltorios de plástico, bolsas, piezas pequeñas, etc. se eliminen de manera segura y se mantengan fuera del alcance de los niños. ¡Peligro de asfixia!
- Retire la puerta del compartimiento de lavado cuando retire de servicio un lavavajillas viejo o lo deseche. Asegúrese de que el aparato no presente ningún peligro para los niños mientras se almacena para su eliminación.
- Los electrodomésticos viejos pueden contener materiales que se reciclan. Comuníquese con la autoridad de reciclaje local sobre la posibilidad de reciclar estos materiales.
- La manguera de desagüe del lavavajillas debe instalarse con un bucle de desagüe al menos a 28" (71 cm) del piso del gabinete; de lo contrario, es posible que el lavavajillas no drene correctamente.
- Este lavavajillas está diseñado para uso residencial únicamente y no debe usarse en establecimientos comerciales.
- Si el lavavajillas es una instalación nueva, la mayor parte del trabajo debe realizarse antes de colocar el lavavajillas en su lugar.
- Si el lavavajillas reemplaza a otro lavavajillas, verifique que las conexiones existentes del lavavajillas sean compatibles con el nuevo lavavajillas y reemplace las piezas según sea necesario.

¡GUARDE ESTAS INSTRUCCIONES!

INSTRUCCIONES DE INSTALACIÓN

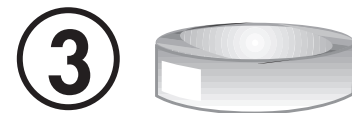
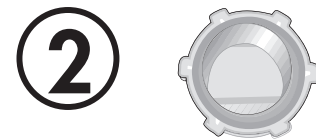
HERRAMIENTAS REQUERIDAS

1. Llave de tubo
2. Cortador de cables
3. Pelacables
4. Llave ajustable
5. Sierra
6. Martillo
7. Perforar
8. Cinta métrica
9. Tijeras
10. Destornillador torx
11. Destornillador Phillips
12. Destornillador plano
13. Nivel
14. Cepillo
15. Lápiz



LOS MATERIALES REQUERIDOS

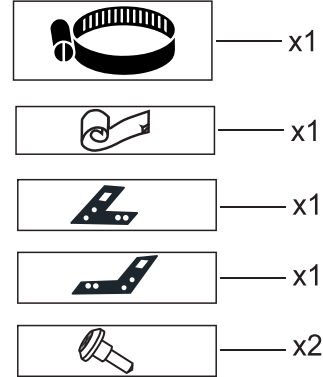
1. Línea de suministro de agua caliente - mínimo 3/4" de diámetro exterior. tubería de cobre o línea de suministro de lavavajillas trenzada de metal
2. Conector de conducto o alivio de tensión con certificación UL
3. Cinta de teflón u otro compuesto para roscas de tubería para sellar las conexiones de plomería
4. Válvula de cierre y accesorios apropiados para la línea de suministro de agua caliente (tubería de cobre / accesorio de compresión o manguera trenzada)
5. Silicona
6. Pegamento



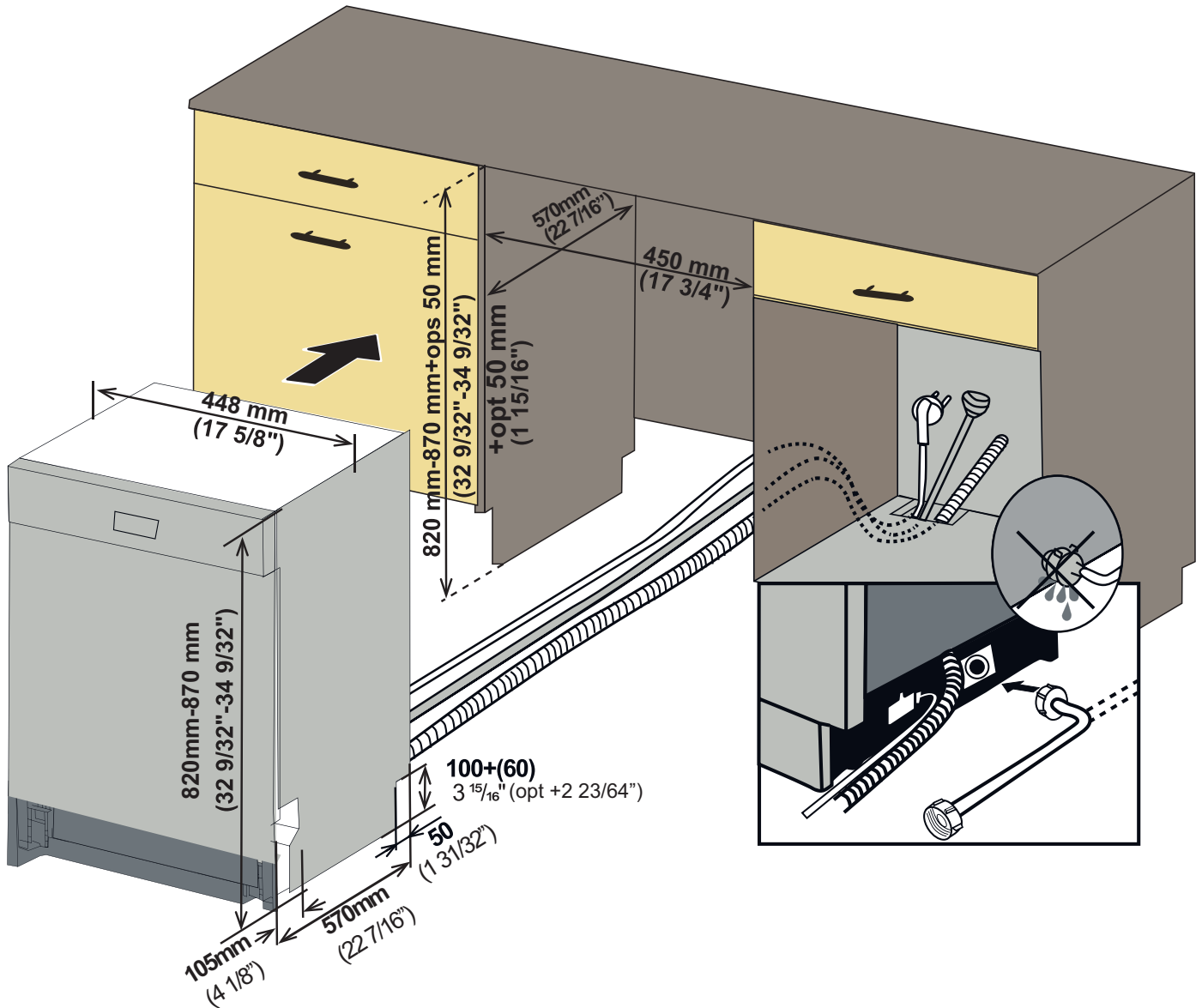
INSTRUCCIONES DE INSTALACIÓN

ACCESORIOS

1. abrazadera de la manguera
2. Lámina protectora de vapor
3. Soporte de montaje izquierdo
4. Soporte de montaje derecho
5. Tornillos $\varnothing 5/32'' \times 27/32''$ ($\varnothing 4 \text{ mm} \times 21,5 \text{ mm}$)



ESPECIFICACIONES DEL LAVAVAJILLAS



Capacidad de carga	10 ajustes de lugar
Presión de agua permitida	43.5 - 145 psi (0.3 - 10 bars)
Conexión eléctrica	120 V, 12 A, 60 Hz
Poder total	1400 W
Poder del calentador	1100 W

INSTRUCCIONES DE INSTALACIÓN

SOPORTES DE MONTAJE

Los soportes de montaje deben usarse cuando el lavavajillas esté instalado en un gabinete. El uso de piezas que no sean los soportes suministrados puede provocar daños a la propiedad o lesiones corporales.

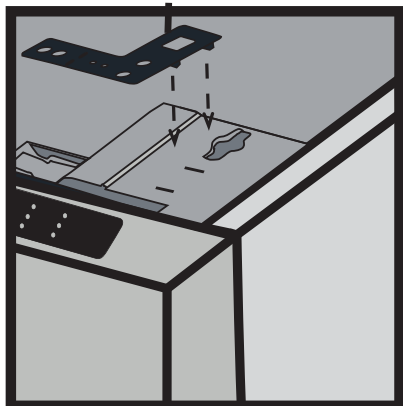
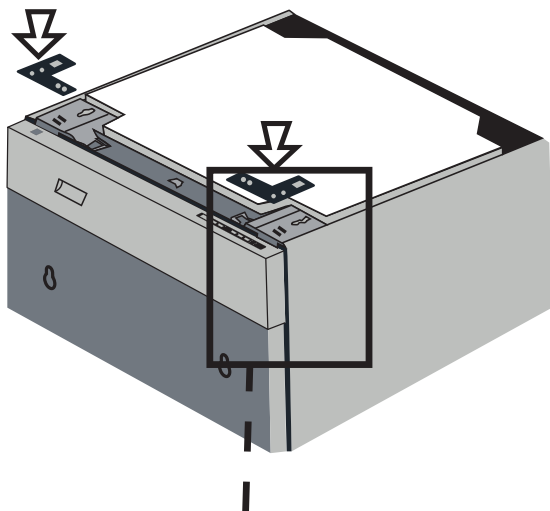
El receptáculo de la fuente de alimentación para el electrodoméstico debe instalarse en un gabinete o en una pared adyacente al espacio debajo del mostrador donde se instalará el electrodoméstico.

Debe haber una abertura a través de la partición entre los compartimentos que sea lo suficientemente grande para que pase el enchufe. La abertura no debe tener más de 1,5" (3,8 cm) de ancho.

Los gabinetes están hechos de madera, asegúrese de que los lados del agujero sean lisos y redondeados. Si los gabinetes son de metal, cubra los bordes del orificio con un protector de bordes provisto para tal fin por el fabricante. Esto es para garantizar que no haya daños en el cable de alimentación al pasar por la partición.

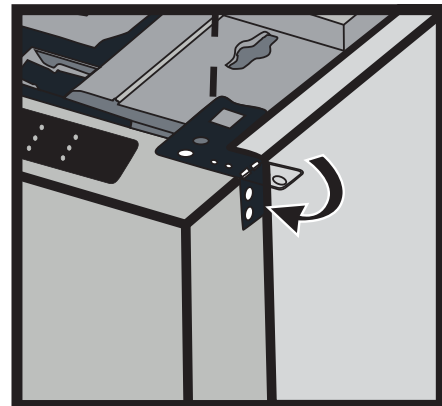
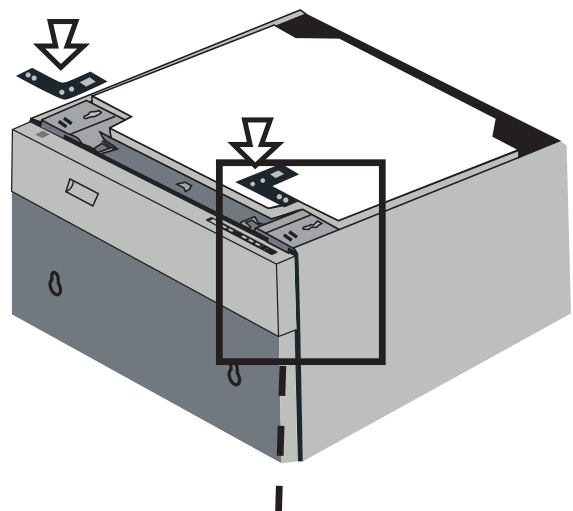
Tablero de encimera de madera

Si la tabla de la encimera es de madera, coloque los dos soportes de montaje en las esquinas superiores del lavavajillas como se muestra y doble los lados de los soportes si es necesario.



Otros tipos de tablero de encimera

Si la tabla de la encimera está hecha de cerámica u otro material, coloque los dos soportes de montaje en las esquinas superiores del lavavajillas como se muestra y doble los lados de los soportes si es necesario.



INSTRUCCIONES DE INSTALACIÓN

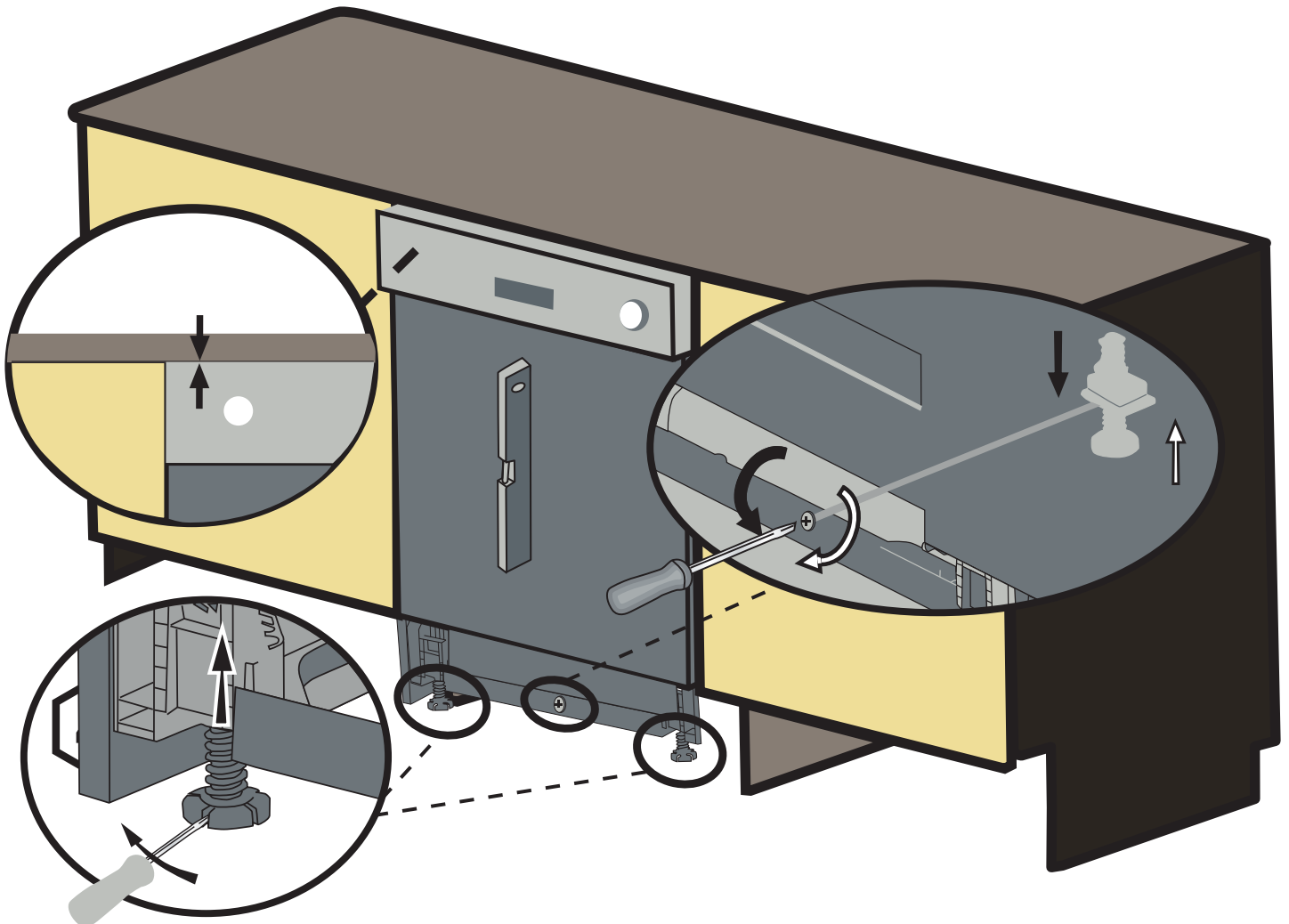
AJUSTE ALTURA

Primer paso: antes de colocar el lavavajillas en los gabinetes, el frente se cierra hasta el final y el lavavajillas se coloca en el gabinete.

Segundo paso: ajuste el nivel del pie delantero con un destornillador plano para estabilizar el lavavajillas y levántelo a la altura del armario.

Tercer paso: ajuste el nivel del pie trasero con un destornillador Phillips para equilibrar y elevar el lavavajillas a la altura del gabinete.

- Asegúrese de que el lavavajillas esté a plomo y tenga en cuenta que el lavavajillas se puede colocar con un pequeño espacio debajo de la encimera.
- Para las patas delanteras, girar las patas en la dirección de las flechas negras con el destornillador plano permite que el lavavajillas se mueva hacia abajo.
- Para las patas traseras, si gira el destornillador Phillips en la dirección de las flechas negras, bajará la base del lavavajillas.



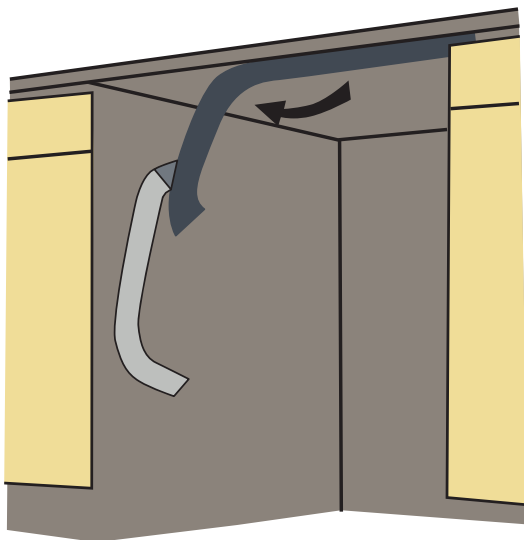
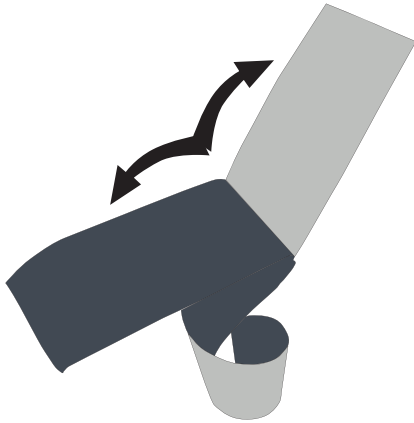
INSTRUCCIONES DE INSTALACIÓN

LAMINA DE PROTECCIÓN CONTRA VAPOR

Se producirá vapor cuando se abra la puerta del lavavajillas durante el funcionamiento del lavavajillas y después de completar un ciclo. Instale la lámina protectora contra el vapor en la parte inferior de la encimera para evitar que el vapor dañe la encimera.

Limpie la parte inferior de la encimera con un paño húmedo antes de aplicar la lámina protectora contra el vapor para asegurarse de que el área esté limpia. Retire el respaldo del papel de aluminio y coloque el lado pegajoso del papel de aluminio en la parte inferior del mostrador como se muestra.

Se debe aplicar una lámina protectora contra el vapor donde el vapor se escapa cuando se abre la puerta. No instalar la lámina protectora de vapor durante la instalación puede provocar daños en los gabinetes y la encimera.



CONEXIÓN DE SUMINISTRO DE AGUA

El agua se puede suministrar al lavavajillas de dos formas:

- con manguera trenzada de metal
- con tubo de cobre

Línea de suministro de agua caliente: use un diámetro exterior mínimo de 3/4". tubería de cobre o línea de suministro de lavavajillas trenzada de metal.

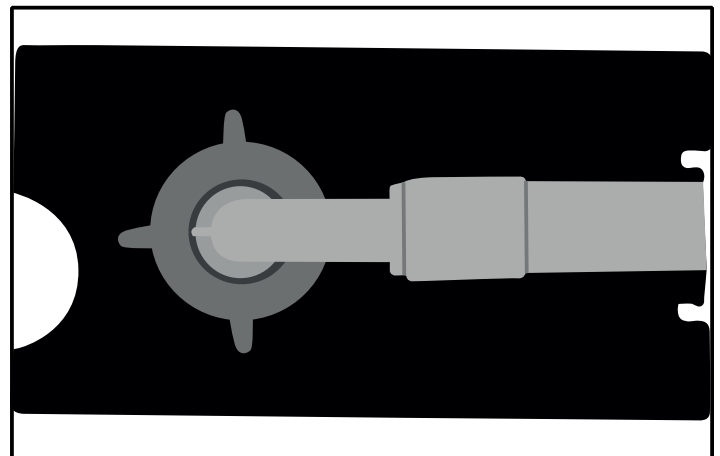
La válvula de entrada de agua del lavavajillas tiene una dimensión de rosca de acoplamiento de entrada de 3/4" - 11,5 NH de acuerdo con ASME B1.20.7-1991.

Al comprar una manguera de entrada de agua, elija las dimensiones de la rosca de la manguera de entrada que sean compatibles con la dimensión de rosca del acoplamiento de entrada de la válvula de entrada de agua indicada 3/4" - 11,5 NH del lavavajillas.

Las temperaturas requeridas para soldar y sudar dañarán la válvula de entrada de agua del lavavajillas, por lo tanto, si se necesita alguna operación de este tipo, mantenga la fuente de calor a un mínimo de 77/8" (20 cm) de distancia de la válvula de entrada de agua del lavavajillas.

No debe haber curvas cerradas en la línea de agua que puedan restringir el flujo de agua.

Se debe usar cinta de teflón o compuesto para la banda de rodadura de la tubería para sellar la conexión. Antes de conectar la línea de suministro de agua de cobre al lavavajillas, enjuáguela con agua caliente para eliminar cualquier material extraño.

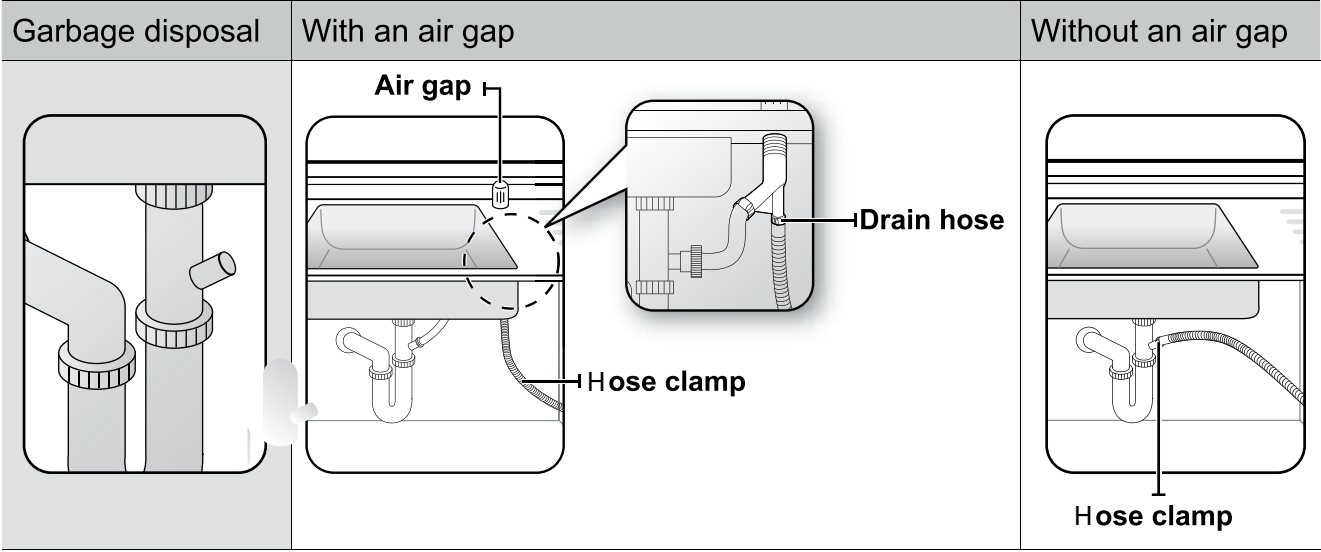


INSTRUCCIONES DE INSTALACIÓN

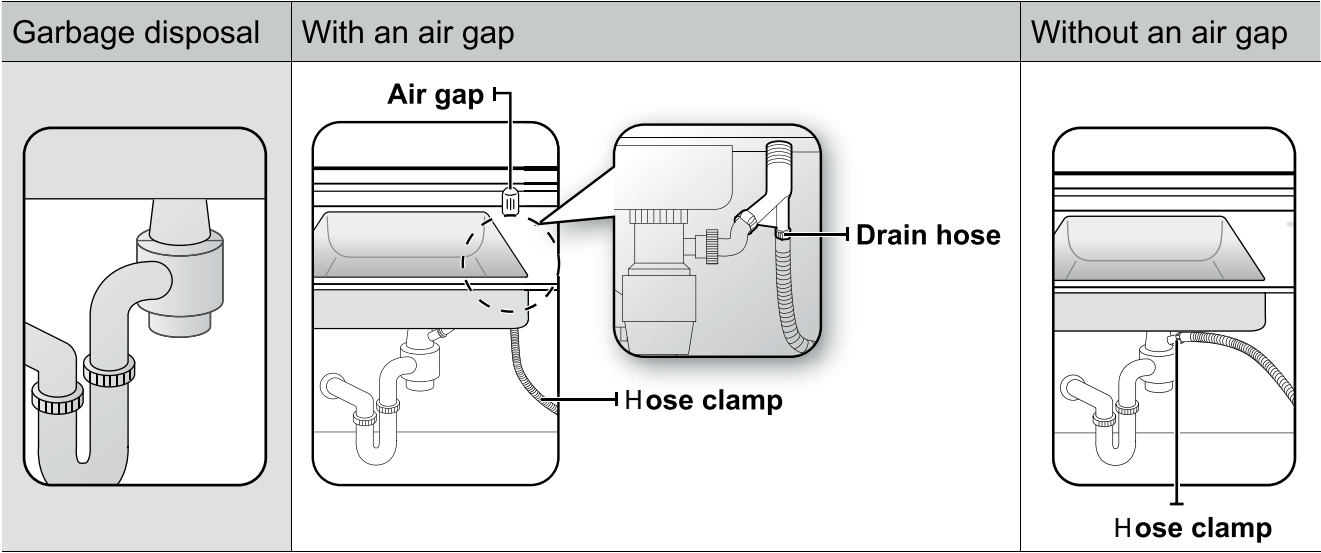
CONEXIÓN DE LA MANGUERA DE DRENAJE

Compruebe las piezas del fregadero a las que se conectará la manguera de desagüe. Hay varias formas de insertar la manguera de drenaje en el conector de la manguera de drenaje del fregadero, como se muestra en las imágenes a continuación. Conecte la manguera de desagüe de acuerdo con las normas de instalación de tuberías de agua de su región.

Sin eliminación



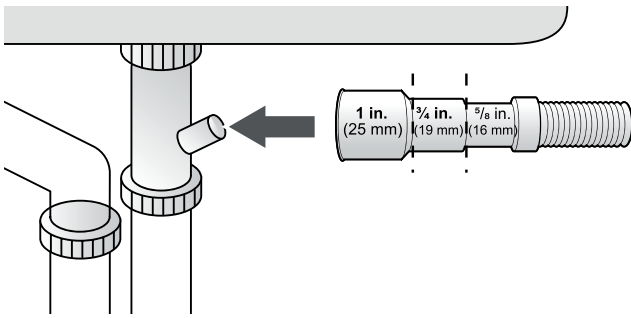
Con eliminación



INSTRUCCIONES DE INSTALACIÓN

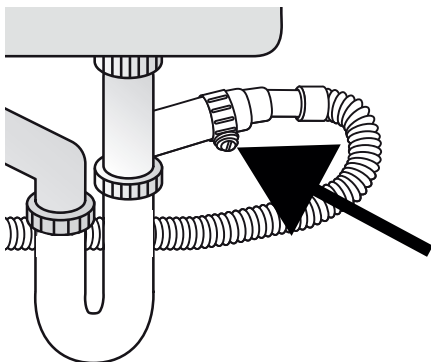
CONEXIÓN DE LA MANGUERA DE DRENAJE

Verifique el tamaño del conector de la manguera de drenaje del fregadero. Si es necesario, corte la manguera de drenaje en una de las líneas punteadas para que su extremo encaje en el conector del fregadero (5/8", 3/4" o 1"). Si el extremo de la manguera de desagüe no encaja en el conector de la manguera de desagüe del fregadero, use un adaptador que se puede comprar en una tienda de suministros de plomería o ferretería.

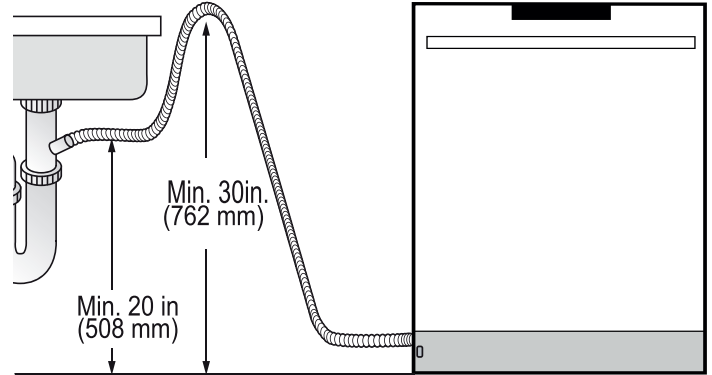


Tenga cuidado al cortar el extremo de la manguera de drenaje, ya que existe el riesgo de lesiones. Limpie alrededor de la conexión de drenaje del fregadero para que no dañe la manguera. Compruebe si hay elementos extraños en la manguera de drenaje y retírelos. Asegúrese de que la manguera de drenaje no esté cortada o dañada por bordes afilados. Una manguera de drenaje dañada puede tener fugas.

Deslice una abrazadera de manguera sobre el extremo de la manguera de drenaje. Conecte la manguera de drenaje al conector del fregadero, deslice la abrazadera de la manguera hasta el extremo de la manguera y luego apriete la abrazadera de la manguera. Tenga en cuenta que debe utilizar una abrazadera de manguera. No hacerlo puede provocar fugas.



Si no hay espacio de aire, asegúrese de colgar el centro de la manguera de drenaje bien por encima de la base del gabinete del fregadero para evitar el refluo.



Cuando taladre un orificio para la manguera de drenaje en la pared del gabinete, tenga cuidado de no dañar la manguera de drenaje con los bordes afilados del orificio. En paredes de madera, use lijado para suavizar los bordes. En paredes de metal, use cinta aislante o cinta adhesiva para cubrir los bordes afilados alrededor del agujero.

Tenga cuidado de no dañar la manguera de drenaje al instalar el lavavajillas. Para evitar fugas o problemas de drenaje, asegúrese de que la manguera de drenaje no esté dañada, doblada o torcida.

No corte el área arrugada de la manguera de drenaje para que se ajuste al tamaño. Cuando coloque la manguera de desagüe, tenga cuidado de que no toque los bordes afilados del gabinete o el fregadero.

INSTRUCCIONES DE INSTALACIÓN

LISTA DE VERIFICACIÓN DEL INSTALADOR

Compruebe lo siguiente:

- El lavavajillas es cuadrado y nivelado
- El lavavajillas está fijado de forma segura al armario.
- La puerta se abre y se cierra libremente sin golpear los gabinetes o la encimera.
- El suministro de agua de entrada no tiene fugas
- La manguera de drenaje está conectada, no tiene curvas ni torceduras y no tiene fugas.
- La manguera de desagüe debe instalarse con un bucle de desagüe de 28" (71 cm) de alto para conexiones de desagüe sin que se elimine el aire.
- La manguera de desagüe está conectada a un grifo de trampa debajo del fregadero, retire la membrana de plástico para que los restos de comida no causen un bloqueo en el grifo de la manguera de desagüe y asegúrese de que se use una abrazadera para asegurar la manguera a la llave.
- Los brazos rociadores pueden girar libremente
- Se ha ejecutado el ciclo de enjuague
- El nivel del agua estará por debajo de la pantalla del filtro después del final del programa de lavado.
- Es normal encontrar algo de agua en el área del filtro de drenaje.

CONSEJOS PARA SOLUCIONAR PROBLEMAS

La pantalla de visualización no se enciende

- Verifique que el disyuntor del lavavajillas esté encendido.
- Asegúrese de que el cable de alimentación esté enchufado.

No entra agua en el lavavajillas

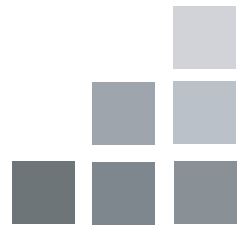
- Verifique que el corte de agua esté en la posición de encendido.

El agua no sale del lavavajillas

- Asegúrese de que la manguera de desagüe no esté doblada o salga del espacio de aire junto al fregadero.
- Retire la manguera de drenaje del triturador y asegúrese de quitar el tapón.

EXAMEN FINAL

1. Presione el botón de encendido / apagado para encender el lavavajillas.
2. Se enciende la luz indicadora de energía.
3. Utilice el botón de selección de programa para elegir un programa de lavado.
4. Inicie el programa con el botón de inicio / pausa / cancelación.
5. Haga funcionar el lavavajillas a través de un ciclo completo. Cuando se complete el ciclo de lavado, use el botón de encendido / apagado para apagar el lavavajillas.



Danby Products Limited, Guelph, ON, Canada N1H 6Z9
Danby Products Inc., Findlay, Ohio, USA 45840