



PARTIAL FROST FREE REFRIGERATOR Owner's Manual.....	1 - 10
RÉFRIGÉRATEUR SANS GIVRE PARTIEL Manuel du propriétaire.....	11 - 20
REFRIGERADOR LIBRE DE ESCARCHA PARCIAL Manual del propietario.....	21 - 30



MODEL • MODÈLE • MODELO

DPF073C3WDB
DPF073C3BDB
DPF073C3BSLDB

Welcome to the Danby family.

We are proud of our quality products and we believe in dependable service. We suggest that you read this owner's manual before plugging in your new appliance as it contains important operation information, safety information, troubleshooting, and maintenance tips to ensure the reliability and longevity of your appliance.

You are entitled to the warranty coverage as described in the owner's manual provided with your new appliance.

1. Please write down your appliance information below. **You must keep the original proof of purchase receipt to validate and receive warranty services.**
2. Register your product online and receive a **FREE 2 MONTH WARRANTY EXTENSION** after filling out a product survey, at www.danby.com/support/product-registration/

Model Number: _____

Serial Number: _____

Date of Purchase: _____

Need Help?

1. Read your Owner's Manual for installation help, troubleshooting, and maintenance assistance.
2. Visit www.Danby.com to access self-service tools, FAQs and much more by searching your model number in the search bar.
3. For the **Quickest Customer Service**, please fill out the web form at www.danby.com/support. Your submission will go directly to an expert on your particular appliance. Our average response times are between 20 minutes and 2 hours, during EST business hours.
4. Call **1-800-263-2629** - please note that during peak hours, hold times can exceed one hour.



Important Safety Information

READ AND FOLLOW ALL SAFETY INSTRUCTIONS

SAFETY REQUIREMENTS

DANGER: Risk of fire or explosion. Flammable refrigerant used. Do not puncture refrigerant tubing.

- Do not use mechanical devices to defrost refrigerator.
- Ensure that servicing is done by factory authorized service personnel, to minimize product damage or safety issues.
- If the power supply cord is damaged, it must be replaced by the manufacturer, its service agent or similar qualified person in order to avoid hazard.
- Consult repair manual or owner's guide before attempting to service this product. All safety precautions must be followed.
- Dispose of properly in accordance with federal or local regulations.
- Follow handling instructions carefully.
- Do not store explosive substances such as aerosol cans with a flammable propellant in this appliance.

WARNING: Keep ventilation openings, in the appliance enclosure or in the built-in structure, clear of obstruction.

WARNING: Do not use mechanical devices or other means to accelerate the defrosting process, other than those recommended by the manufacturer.

WARNING: Do not damage the refrigerant circuit.

WARNING: Do not use electrical appliances inside the food storage compartments of the appliance, unless they are of the type recommended by the manufacturer.

CAUTION: Children should be supervised to ensure that they do not play with the appliance.

DANGER: Risk of child entrapment. Before throwing away an old appliance:

- Remove the door or lid.
- Leave shelves in place so that children may not easily climb inside.

DANGER: Do not add a lock to the door or lid. This can cause child entrapment and harm.

SAFETY REQUIREMENTS

This appliance is not intended for use by persons (including children) whose physical, sensory or mental capabilities may be different or reduced, or who lack experience or knowledge, unless such persons receive supervision or training to operate the appliance by a person responsible for their safety.

This appliance is intended to be used in household and similar applications such as:

- Staff kitchen areas in shops, offices and other working environments;
- Farm houses and by clients in hotels, motels and other residential type environments;
- Bed and breakfast type environments;
- Catering and similar non-retail applications.

GROUNDING INSTRUCTIONS

This appliance must be grounded. Grounding reduces the risk of electrical shock by providing an escape wire for the electrical current.

This appliance has a cord that has a grounding wire with a 3-prong plug. The power cord must be plugged into an outlet that is properly grounded. If the outlet is a 2-prong wall outlet, it must be replaced with a properly grounded 3-prong wall outlet. The serial rating plate indicates the voltage and frequency the appliance is designed for.

WARNING - Improper use of the grounding plug can result in a risk of electric shock. Consult a qualified electrician or service agent if the grounding instructions are not completely understood, or if doubt exists as to whether the appliance is properly grounded.

Do not connect your appliance to extension cords or together with another appliance in the same wall outlet. Do not splice the power cord. Do not under any circumstances cut or remove the third ground prong from the power cord. Do not use extension cords or ungrounded (two prongs) adapters.

SAVE THESE INSTRUCTIONS!

INSTALLATION INSTRUCTIONS

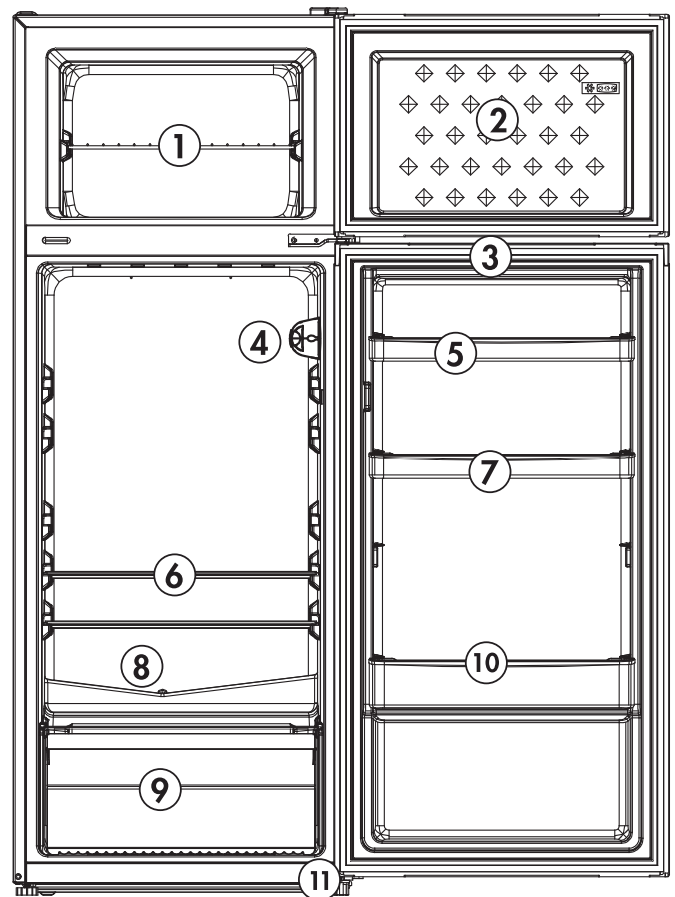
LOCATION

- Two people should be used when moving the appliance.
- Remove interior and exterior packaging prior to installation. Wipe the outside of the appliance with a soft, dry cloth and the inside with a lukewarm wet cloth.
- Place the appliance on a floor that is strong enough to support it when it is fully loaded.
- Do not place the appliance in direct sunlight or near sources of heat, such as a stove or heater, as this can increase electrical consumption. Extreme cold ambient temperatures may also cause the appliance to perform improperly.
- Do not use the appliance near water, for example in a wet basement or near a sink.
- This appliance is intended for household use only. It is not designed for outside installation, including anywhere that is not temperature controlled (garages, porches, vehicles, etc.).
- Before connecting the appliance to a power source, let it stand upright for approximately 6 hours. This will reduce the possibility of a malfunction in the cooling system from handling during transportation.
- This appliance is 54 cm (21.3 inches) wide by 142.8 cm (56.2 inches) high by 55.1 cm (21.7 inches) deep.
- Allow 5 cm (2 inches) of space between the back, sides and top of the appliance and any adjacent walls.
- This appliance is intended for free-standing installation only and is not intended to be built into a cabinet or counter. Building in this appliance can cause it to malfunction.

OPERATING INSTRUCTIONS

FEATURES

1. Wire Freezer Shelf
2. Freezer Door
3. Magnetic Gasket
4. Thermostat Dial and Interior Light
5. Egg Tray
6. Glass Refrigerator Shelves
7. Refrigerator Door Shelves
8. Defrost Drain
9. Crisper
10. Bottle Storage
11. Adjustable Feet



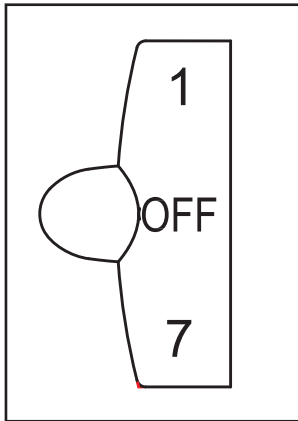
OPERATING INSTRUCTIONS

TEMPERATURE SELECTION

The thermostat dial on the right hand side of the refrigerator compartment is numbered from 1 to 7. 1 is the warmest setting and 7 is the coldest setting.

The recommended setting of 4 should be sufficient for regular home use. To stop all cooling, turn the dial to "OFF".

This dial controls the temperature for both the refrigerator and freezer compartments.



INTERIOR LIGHT

Any replacement of the interior LED light should be performed by the manufacturer, its service agent or a similar qualified person.

LEVELING INSTRUCTIONS

There are two adjustable feet on the bottom of the appliance that can be turned up or down to ensure that the appliance is level.

1. Turn the leveling feet counter-clockwise as far as they will go, until the top of the foot is touching the bottom of the chassis.
2. Slowly turn the leveling legs clockwise until the appliance is level.

DRAIN PLUG

The drain plug can be found in the accessory bag. Insert the pointed end of the drain plug into the drain hole in the rear cabinet wall of the appliance to ensure that the drain is not clogged by food particles or hard water build up.

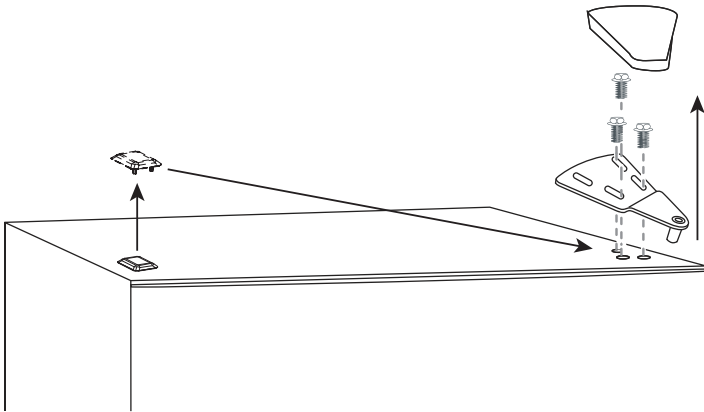


OPERATING INSTRUCTIONS

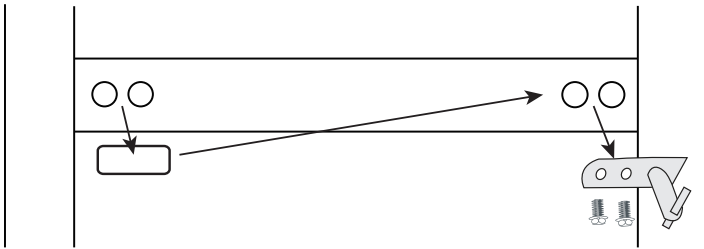
DOOR REVERSAL INSTRUCTIONS

If the appliance is placed on its back or side for any length of time during this process, it must be allowed to remain upright for 6 hours before plugging it in to avoid damage to the internal components.

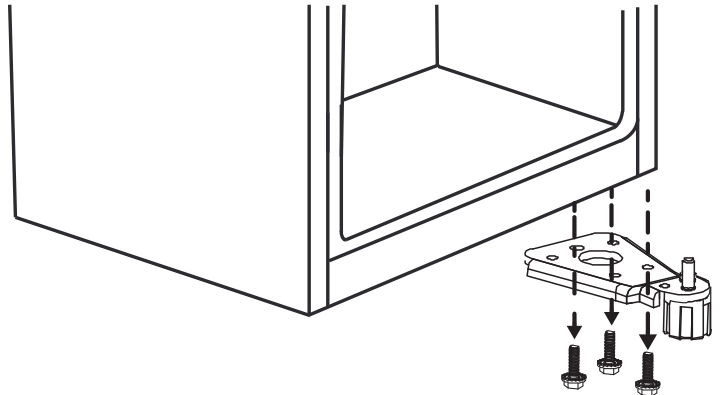
1. Remove the hinge cover and upper hinge from the top right side of the cabinet. Remove the freezer door from the cabinet. Remove the screw hole cover from the top left side of the cabinet and install it on the top right side of the cabinet.



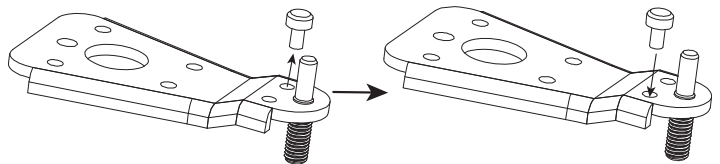
2. Remove the center hinge. Remove the refrigerator door from the cabinet. Remove the screw hole cover from the left side of the cabinet and install it on the right side of the cabinet.



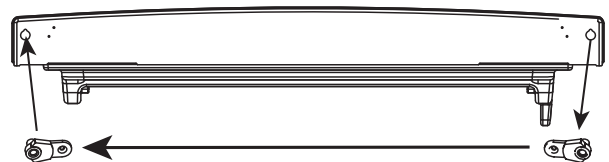
3. Remove the lower hinge and adjustable foot from the bottom right side of the cabinet.



4. Remove the pin shaft from the right side of the lower hinge. Install it in the left side of the lower hinge. Install the lower hinge and adjustable foot on the bottom left side of the cabinet.

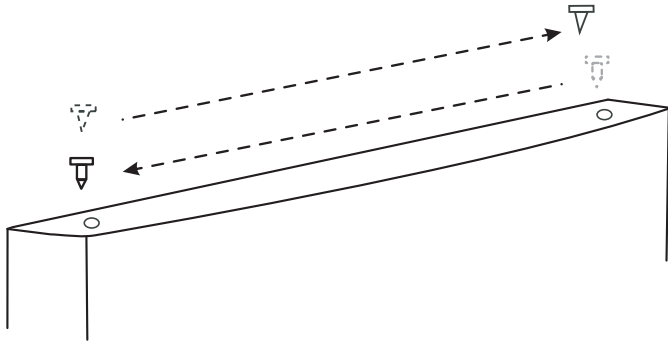


5. Remove the door stops from the bottom right side of the refrigerator door and install them on the bottom left side of the refrigerator door.

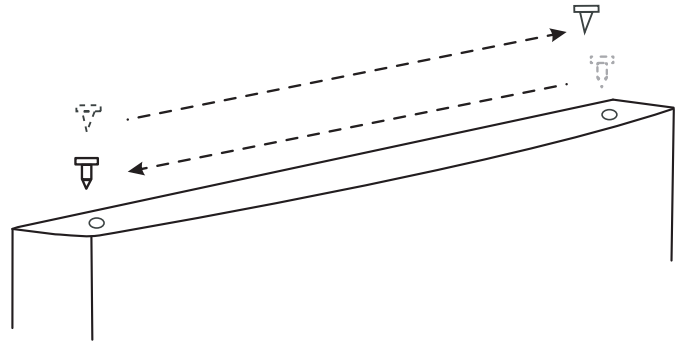


OPERATING INSTRUCTIONS

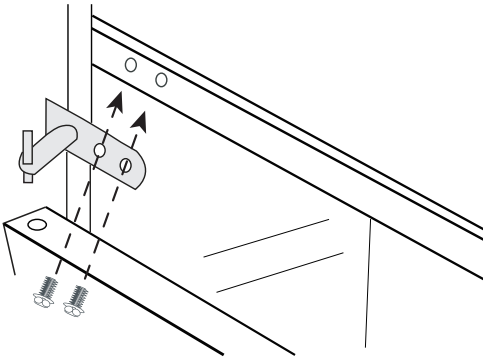
6. Remove the hole cover from the top left side of the refrigerator door. Remove the door bushing from the top right side of the refrigerator door. Install the hole cover on the top right side of the door. Install the door bushing on the top left side of the door.



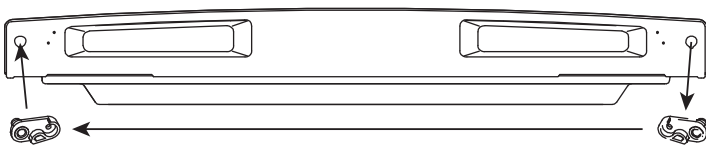
9. Remove the hole cover from the top left side of the freezer door. Remove the door bushing from the top right side of the freezer door. Install the hole cover on the top right side of the door. Install the door bushing on the top left side of the door.



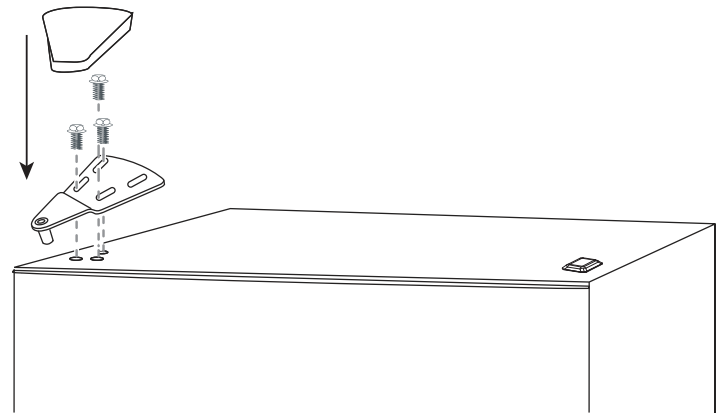
7. Install the refrigerator door on the lower hinge. Install the center hinge.



8. Remove the door stops from the bottom right side of the freezer door and install them on the bottom left side of the freezer door.



10. Install the freezer door on the center hinge. Install the upper hinge and hinge cover on the top left side of the cabinet.



Note: When reinstalling the refrigerator and freezer doors, ensure that the rubber gaskets are making a good seal with the cabinet before tightening the screws.

CARE & MAINTENANCE

CLEANING

Ensure the appliance is unplugged before cleaning.

- To clean the inside of the appliance, use a soft cloth and a solution of a tablespoon of baking soda to one quart of water or a mild soap solution or some mild detergent.
- Wash removable shelves in a mild detergent solution, then dry and wipe with a soft cloth.
- Clean the outside with a soft, damp cloth and some mild detergent.
- It is important to keep the area clean where the door seals against the cabinet. Clean this area with a soapy cloth. Rinse with a damp cloth and let dry.

Note: Do not use cleaners containing ammonia or alcohol on the appliance. Ammonia or alcohol can damage the appearance of the appliance. Never use any commercial or abrasive cleaners or sharp objects on any part of the appliance.

POWER FAILURE

Most power failures are corrected within a few hours and should not affect the temperature of your appliance if you minimize the number of times the door is opened. If the power is going to be off for a longer period of time, take the proper steps to protect your contents.

Note: Wait 3 to 5 minutes before attempting to restart the refrigerator if operation has been interrupted.

VACATION

- **Short vacations:** Leave the appliance operating during vacations of less than three weeks.
- **Long vacations:** If the appliance will not be used for several months, remove all items and turn off the appliance. Clean and dry the interior thoroughly. To prevent odor and mold growth, leave the door open slightly, blocking it open if necessary.

DEFROSTING INSTRUCTIONS

There is no need to defrost the refrigerator compartment as any ice build up on the back wall will be defrosted automatically. Defrost water from the refrigerator compartment is channeled into a drip tray above the compressor. Heat transfer from the compressor causes the water to evaporate.

The freezer compartment should be defrosted any time the frost reaches 3 - 5 mm (1/4 in) thick. To defrost the freezer compartment, set the thermostat to "OFF", unplug the appliance and remove all frozen contents. Leave the freezer door open to allow the frost to melt. Discard the melted water and leave the door open until the interior of the freezer is dry.

Remember to protect your floors during the defrosting process by putting towels or a pan under the appliance in case of leaking.

Important: Never use sharp or pointed instruments to remove ice. The freezer compartment contains refrigerated gas lines. If these lines are accidentally pierced it will render the refrigerator inoperable and void the manufacturer's warranty. Do not allow the refrigerator to continue operation if the freezer compartment is pierced.

MOVING

- Remove all contents.
- Turn the adjustable legs up to avoid damage.
- Tape the door shut.
- Be sure the appliance stays in the upright position during transportation. Protect the outside of the appliance with a blanket.
- If the appliance is placed on its back or side during transportation, upon reaching the destination, allow it to remain upright for 6 hours before plugging in to avoid damage to internal components.

DISPOSAL

This appliance may not be treated as regular household waste, it should be taken to the appropriate waste collection point for recycling of electrical components. For information on local waste collection points, contact your local waste removal agency or government office.

FREQUENTLY ASKED QUESTIONS

What are the standard wattage and amps used?

This information can be found on the rating plate located on the back of the cabinet.

How much does it cost to run the freezer?

Please refer to the energy guide.

Can I use an extension cord?

No, an extension cord may not be used.

I am having trouble opening the door; why?

The refrigerator door may be difficult to open immediately after closing it. This is normal and is due to the pressure difference between the cold interior of the refrigerator and the warm air that has just entered the refrigerator when it was opened. The pressure will equalize within a few minutes.

I had my fridge on its side to bring it home. Do I have to let it sit? And for how long?

Yes, please allow it to sit upright for 6 hours before plugging it in.

The refrigerator smells like new plastic. How do I make it go away?

It is common for new appliances to have a slight plastic smell. Ensure that you have removed all packing material from the fridge. Clean the inside of the cabinet by following the cleaning instructions included in the owner's manual. Once completed, place an open box of baking soda in the refrigerator to absorb any remaining odour.

How do I set the temperature?

This varies based on model:

- If your thermostat dial has a graduated blue line, the thinner part of the line indicates warmer temperatures and the thicker part of the line indicates colder temperatures
- If your thermostat dial has dots, the smaller dots indicate warmer temperatures and the larger dots indicate colder temperatures
- If your thermostat dial has numbers, the smaller numbers indicate warmer temperatures and the larger numbers indicate colder temperatures

TROUBLESHOOTING

No power

- A fuse may be blown or the circuit breaker tripped
- Plug not fully inserted into the wall outlet

Internal temperature not cold enough

- Temperature setting is too warm
- The door is not shut properly or opened excessively
- Recently added a large quantity of warm food to the cabinet
- Close proximity to heat source or direct sunlight
- Ambient temperature or humidity is very high

Refrigerator runs continuously

- Temperature setting is too cold
- The door is not shut properly or opened excessively
- Recently added a large quantity of warm food to the cabinet
- Close proximity to heat source or direct sunlight
- Ambient temperature or humidity is very high

Refrigerator makes a gurgling noise when operating

- This noise is completely normal. The refrigerant inside the appliance will make a gurgling noise as it changes from a liquid to a gas and back again.

LIMITED "IN HOME" WARRANTY

This quality product is warranted to be free from manufacturer's defects in material and workmanship, provided that the unit is used under the normal operating conditions intended by the manufacturer.

This warranty is available only to the person to whom the unit was originally sold by Danby Products Limited (Canada) or Danby Products Inc. (U.S.A.) (hereafter "Danby") or by an authorized distributor of Danby, and is non-transferable.

TERMS OF WARRANTY

Plastic parts are warranted for thirty (30) days from the date of purchase, with no extensions provided.

First 12 months During the first **twelve (12) months**, any functional parts of this product found to be defective, will be repaired or replaced, at warrantor's option, at no charge to the original purchaser.

To obtain service Contact the dealer where the unit was purchased, or contact the nearest authorized Danby service depot, where service must be performed by a qualified service technician. If service is performed on the unit by anyone other than an authorized service depot, all obligations of Danby under this warranty shall be void.

Boundaries of in-home service Danby reserves the right to limit the boundaries of "In Home Service" to the proximity of an authorized service depot. Any appliance requiring service outside the limited boundaries of "In Home Service", will be the consumer's responsibility to transport at their own expense to the original point of purchase or a service depot for repair. If the appliance is installed in a location that is **100 kilometers (62 miles)** or more from the nearest service center, it must be delivered to the nearest authorized Danby Service Depot by the purchaser.

Transportation charges to and from the service location are not protected by this warranty and are the responsibility of the purchaser.

Nothing within this warranty shall imply that Danby will be responsible or liable for any spoilage or damage to food or other contents of this appliance, whether due to any defect of the appliance, or its use, whether proper or improper.

EXCLUSIONS

Save as herein provided, by Danby, there are no other warranties, conditions, representations or guarantees, express or implied, made or intended by Danby or its authorized distributors and all other warranties, conditions, representations or guarantees, including any warranties, conditions, representations or guarantees under any Sale of Goods Act or like legislation or statute is hereby expressly excluded. Save as herein provided, **Danby shall not be responsible for any damages to persons or property, including the unit itself, howsoever caused or any consequential damages arising from the malfunction of the unit and by the purchase of the unit, the purchaser does hereby agree to indemnify and hold harmless Danby from any claim for damages to persons or property caused by the unit.**

GENERAL PROVISIONS

No warranty or insurance herein contained or set out shall apply when damage or repair is caused by any of the following:

- 1) Power failure.
- 2) Damage in transit or when moving the appliance.
- 3) Improper power supply such as low voltage, defective house wiring or inadequate fuses.
- 4) Accident, alteration, abuse or misuse of the appliance such as inadequate air circulation in the room or abnormal operating conditions (ie. extremely high or low room temperature).
- 5) Use for commercial or industrial purposes (ie. If the appliance is not installed in a domestic residence).
- 6) Fire, water damage, theft, war, riot, hostility, acts of God such as hurricanes, floods etc.
- 7) Service calls resulting in customer education.
- 8) Improper Installation (ie. Building-in of a free standing appliance or using an appliance outdoors that is not approved for outdoor application, including but not limited to: garages, patios, porches or anywhere that is not properly insulated or climate controlled).

Proof of purchase date will be required for warranty claims; retain bills of sale. In the event that warranty service is required, present the proof of purchase to our authorized service depot.

**Warranty Service
In Home**

Danby Products Limited
PO Box 1778, Guelph, Ontario, Canada N1H 6Z9
Telephone: (519) 837-0920 FAX: (519) 837-0449

1-800-263-2629
04/17

Danby Products Inc.
PO Box 669, Findlay, Ohio, U.S.A. 45840
Telephone: (419) 425-8627 FAX: (419) 425-8629

Bienvenue dans la famille Danby.

Nous sommes fiers de nos produits de qualité et nous croyons en un service fiable. Nous vous suggérons de lire ce manuel du propriétaire avant de brancher votre nouvel appareil car il contient des informations de fonctionnement importantes, des informations de sécurité, des conseils de dépannage et d'entretien pour assurer la fiabilité et la longévité de votre appareil.

Vous avez droit à la couverture de la garantie décrite dans le manuel du propriétaire fourni avec votre nouvel appareil.

1. Veuillez noter ci-dessous les informations relatives à votre appareil. Vous devez conserver la preuve d'achat originale pour valider et bénéficier des services de garantie.
2. Enregistrez votre produit en ligne et recevez une **PROLONGATION DE GARANTIE GRATUITE DE 2 MOIS** après avoir rempli une enquête sur les produits, à l'adresse www.danby.com/support/product-registration/

Numéro de modèle : _____

Numéro de série : _____

Date d'achat : _____

Besoin d'assistance?

1. Lisez votre manuel du propriétaire pour obtenir de l'aide à l'installation, au dépannage et à la maintenance.
2. Visitez www.Danby.com pour accéder aux outils en libre-service, aux FAQ et bien plus encore en recherchant votre numéro de modèle dans la barre de recherche.
3. Pour bénéficier du **service client le plus rapide**, veuillez remplir le formulaire Web à l'adresse www.danby.com/support. Votre soumission ira directement à un expert de votre appareil particulier. Nos temps de réponse moyens sont compris entre 20 minutes et 2 heures, pendant les heures ouvrables EST.
4. Composez le **1-800-263-2629** - veuillez noter que pendant les heures de pointe, les temps d'attente peuvent dépasser une heure.



Consignes de sécurité importantes

LIRE ET SUIVRE TOUTES LES INSTRUCTIONS DE SÉCURITÉ

EXIGENCES DE SÉCURITÉ

DANGER : Risque d'incendie ou d'explosion.
Liquide frigorigène inflammable utilisé. Ne pas percer les tubes de réfrigérant.

- N'utilisez pas de dispositifs mécaniques pour dégivrer le réfrigérateur.
- Assurez-vous que l'entretien est effectué par le personnel de service autorisé en usine, afin de minimiser les dommages sur les produits ou les questions de sécurité.
- Consultez le manuel de réparation ou le guide du propriétaire avant d'essayer de réparer ce produit. Toutes les précautions de sécurité doivent être respectées.
- Éliminer conformément aux règlements fédéraux ou locaux.
- Suivez attentivement les instructions de manutention.
- Ne pas stocker des substances explosives comme les bombes aérosol avec un propulseur inflammable dans cet appareil.

AVERTISSEMENT : Garder les ouvertures de ventilation, dans l'enceinte de l'appareil ou dans la structure intégrée, sans obstruction.

AVERTISSEMENT : N'utilisez pas de dispositifs mécaniques ou d'autres moyens pour accélérer le processus de dégivrage, autres que ceux recommandés par le fabricant.

AVERTISSEMENT : Ne pas endommager le circuit de réfrigérant.

AVERTISSEMENT : N'utilisez pas d'appareils électriques à l'intérieur des compartiments de stockage d'aliments de l'appareil, à moins qu'ils ne soient du type recommandé par le fabricant.

ATTENTION : Les enfants devraient être surveillés pour s'assurer qu'ils ne jouent pas avec l'appareil.

DANGER : Risque de piégeage des enfants. Avant de jeter un ancien appareil :

- Retirez la porte ou le couvercle.
- Laissez les étagères en place afin que les enfants ne puissent pas facilement monter à l'intérieur.

DANGER: N'ajoutez pas de verrou à la porte ou au couvercle. Cela peut entraîner le piégeage et le préjudice des enfants.

EXIGENCES DE SÉCURITÉ

Cet appareil n'est pas destiné à être utilisé par des personnes (y compris des enfants) dont les capacités physiques, sensorielles ou mentales peuvent être différentes ou réduites, ou qui n'ont pas d'expérience ou de connaissances, à moins que ces personnes ne reçoivent de supervision ou de formation pour faire fonctionner l'appareil par une personne responsable de leur sécurité.

Cet appareil est destiné à être utilisé dans des applications domestiques et similaires telles que:

- Cuisines du personnel dans les magasins, les bureaux et autres environnements de travail;
- Les maisons de ferme et par les clients dans les hôtels, motels et autres environnements de type résidentiel;
- Chambres d'hôtes;
- Restauration et applications similaires non commerciales.

INSTRUCTIONS DE MISE À LA TERRE

Cet appareil doit être mis à la terre. La mise à la terre réduit le risque de choc électrique en fournissant un fil d'échappement pour le courant électrique.

Cet appareil possède un cordon doté d'un fil de mise à la terre avec une fiche à 3 broches. Le cordon d'alimentation doit être branché sur une prise correctement mise à la terre. Si la sortie est une prise murale à 2 broches, elle doit être remplacée par une prise murale à 3 broches correctement mise à la terre. La plaque signalétique en série indique la tension et la fréquence auxquelles l'appareil est conçu.

AVERTISSEMENT - Une utilisation incorrecte de la fiche de mise à la terre peut entraîner un risque d'électrocution. Consultez un électricien qualifié ou un agent de service si les instructions de mise à la terre ne sont pas complètement comprises ou s'il existe un doute quant à savoir si l'appareil est correctement mis à la terre.

Ne branchez pas votre appareil à des rallonges ou avec un autre appareil dans la même prise murale. Ne pas épisser le cordon d'alimentation. Ne coupez ou retirez en aucun cas la troisième broche du cordon d'alimentation. N'utilisez pas de cordons de prolongement ou d'adaptateurs sans mise à la terre (deux broches).

Si le cordon d'alimentation est endommagé, il doit être remplacé par le fabricant, son agent de service ou une personne qualifiée similaire afin d'éviter tout risque.

GARDEZ CES INSTRUCTIONS!

INSTRUCTIONS D'INSTALLATION

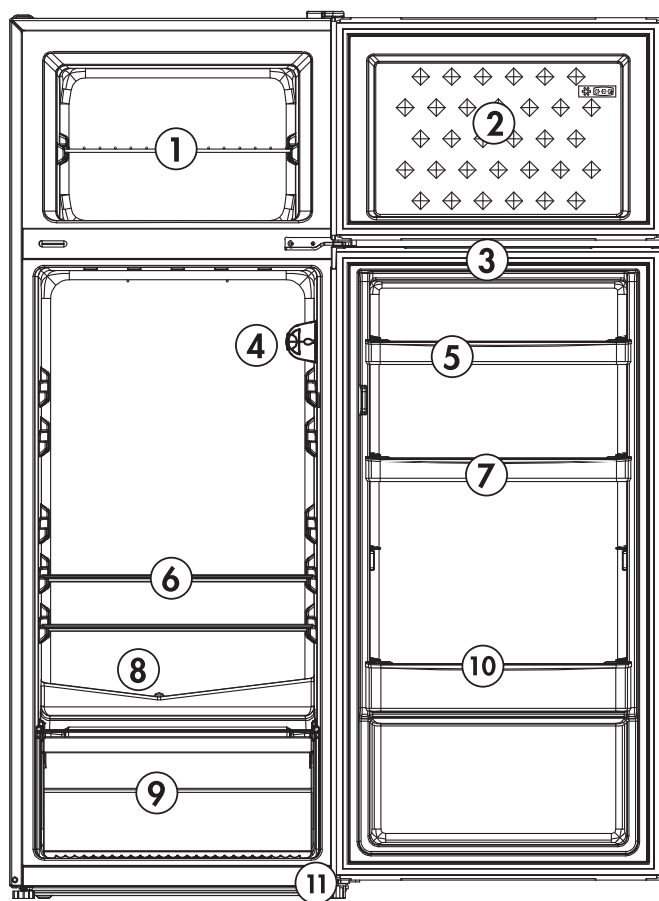
EMPLACEMENT

- Deux personnes doivent être utilisées pour déplacer l'appareil.
- Retirer l'emballage intérieur et extérieur avant l'installation. Essuyez l'extérieur de l'appareil avec un chiffon doux et sec et à l'intérieur avec un chiffon humide tiède.
- Placez votre appareil sur un plancher qui est assez fort pour le soutenir quand il est complètement chargé.
- Ne placez pas l'appareil directement dans la lumière du soleil ou à proximité de sources de chaleur, comme un poêle ou un réchauffeur, car cela peut augmenter la consommation électrique. Des températures ambiantes extrêmes et froides peuvent également provoquer un dysfonctionnement de l'appareil.
- Ne pas utiliser ce produit près de l'eau, par exemple, dans un sous-sol humide ou près d'un évier.
- Cet appareil est destiné à un usage domestique seulement. Cette unité n'est pas conçue pour une installation extérieure, y compris une installation où la température n'est pas contrôlée (garages, porches, carports, etc.).
- Avant de brancher l'appareil à une source d'alimentation, laissez-le debout pendant environ 6 heures; Ceci réduira la possibilité d'un dysfonctionnement dans le système de refroidissement de la manipulation pendant le transport.
- Cet appareil mesure 54 cm (21,3 pouces) de largeur sur 142,8 cm (56,2 pouces) de hauteur sur 55,1 cm (21,7 pouces) de profondeur.
- Laissez un espace de 5 cm (2 pouces) entre le dos, les côtés et le dessus de l'appareil et les murs adjacents.
- Cet appareil est destiné uniquement à une installation autonome et ne doit pas être intégré dans une armoire ou un compteur. La construction de cet appareil peut provoquer un dysfonctionnement.

CONSIGNES D'UTILISATION

CARACTÉRISTIQUES

1. Congélateur étagère de fil
2. Porte Congélateur
3. Joint magnétique
4. Cadran du thermostat et lumière intérieure
5. Bac d'œufs
6. Étagères en verre pour réfrigérateur
7. Étagères de porte de réfrigérateur
8. Dégivrer le drain
9. Bac à légumes
10. Stockage de bouteilles
11. Pieds réglables



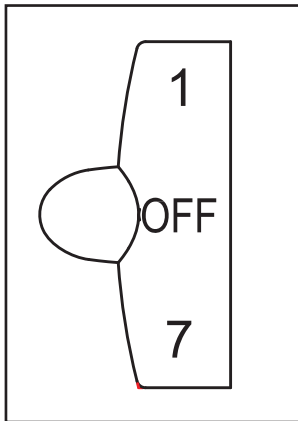
CONSIGNES D'UTILISATION

SÉLECTION DE LA TEMPÉRATURE

Le cadran du thermostat sur le plafond intérieur du compartiment réfrigérateur est numéroté de 1 à 7. 1 est le réglage le plus chaud et 7 est le réglage le plus froid.

Le réglage recommandé de 4 devrait être suffisant pour une utilisation domestique régulière. Pour arrêter tout refroidissement, tournez la molette sur "Arrêt".

Ce cadran contrôle la température pour les compartiments réfrigérateur et congélateur.



LUMIÈRE INTÉRIEURE

Tout remplacement de l'éclairage LED intérieur doit être effectué par le fabricant, son agent de service ou une personne qualifiée similaire.

INSTRUCTIONS DE NIVEAU

Il y a deux pieds réglables au bas de l'appareil qui peuvent être montés ou bas pour s'assurer que l'appareil est à niveau.

1. Tournez les pieds de nivellement dans le sens inverse des aiguilles d'une montre jusqu'à ce que le haut du pied touche le bas du châssis.
2. Tournez lentement les jambes de nivellement dans le sens des aiguilles d'une montre jusqu'à ce que l'appareil soit au niveau.

BOUCHON DE VIDANGE

Le bouchon de vidange se trouve dans le sac d'accessoires. Insérez l'extrémité pointue du bouchon de vidange dans le trou de vidange de la paroi arrière de l'armoire de l'appareil pour vous assurer que le drain n'est pas obstrué par des particules de nourriture ou une accumulation d'eau dure.

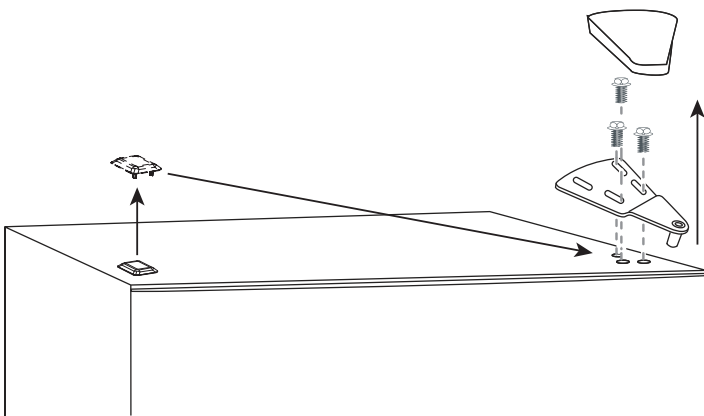


CONSIGNES D'UTILISATION

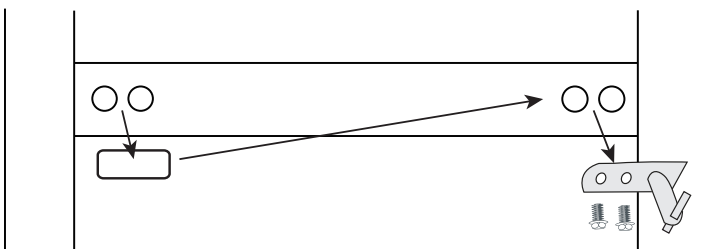
INSTRUCTIONS D'INVERSION DE PORTE

Si l'appareil est placé à l'arrière ou au côté pendant un certain temps pendant ce processus, il doit être autorisé à rester debout pendant 6 heures avant de le brancher pour éviter d'endommager les composants internes.

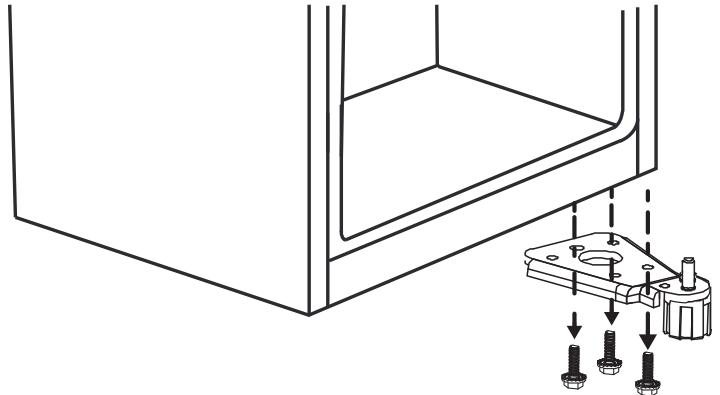
1. Retirez le couvercle de la charnière et la charnière supérieure du côté supérieur droit de l'armoire. Retirez la porte du congélateur de l'armoire. Retirez le couvercle du trou de vis du côté supérieur gauche de l'armoire et installez-le sur le côté supérieur droit de l'armoire.



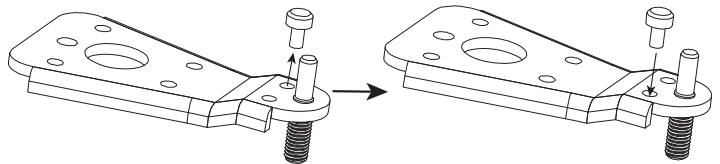
2. Retirez la charnière centrale. Retirez la porte du réfrigérateur de l'armoire. Retirez le couvercle du trou de vis du côté gauche de l'armoire et installez-le sur le côté droit de l'armoire.



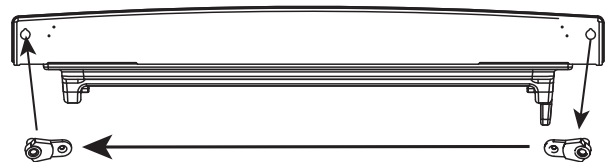
3. Retirez la charnière inférieure et le pied réglable du côté inférieur droit de l'armoire.



4. Retirez l'axe de l'axe du côté droit de la charnière inférieure. Installez-le sur le côté gauche de la charnière inférieure. Installez la charnière inférieure et le pied réglable sur le côté inférieur gauche de l'armoire.

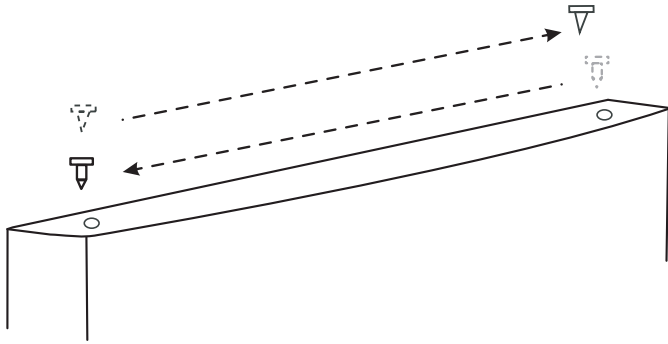


5. Retirez les butées de porte du côté inférieur droit de la porte du réfrigérateur et installez-les sur le côté inférieur gauche de la porte du réfrigérateur.

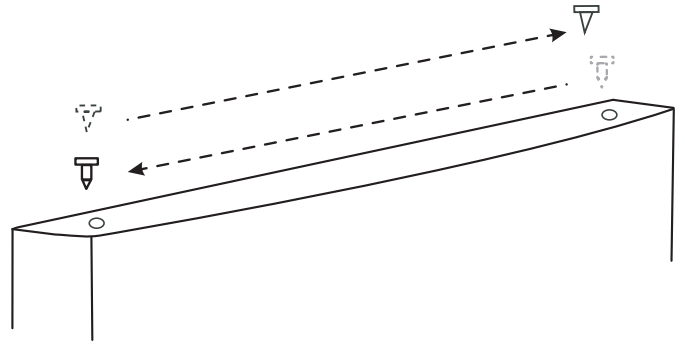


CONSIGNES D'UTILISATION

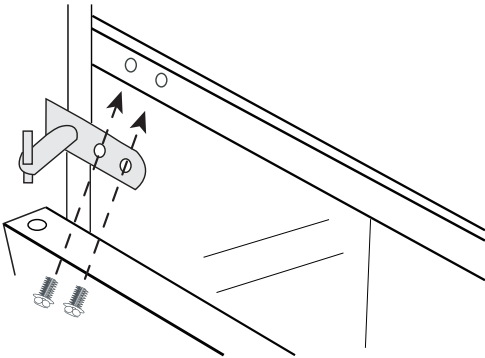
6. Retirez le couvercle du trou du côté supérieur gauche de la porte du réfrigérateur. Retirez la bague de la porte du côté supérieur droit de la porte du réfrigérateur. Installez le couvercle du trou sur le côté supérieur droit de la porte. Installez la bague de porte sur le côté supérieur gauche de la porte.



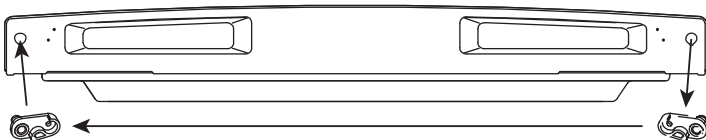
9. Retirez le couvercle du trou du côté supérieur gauche de la porte du congélateur. Retirez la bague de la porte du côté supérieur droit de la porte du congélateur. Installez le couvercle du trou sur le côté supérieur droit de la porte. Installez la bague de porte sur le côté supérieur gauche de la porte.



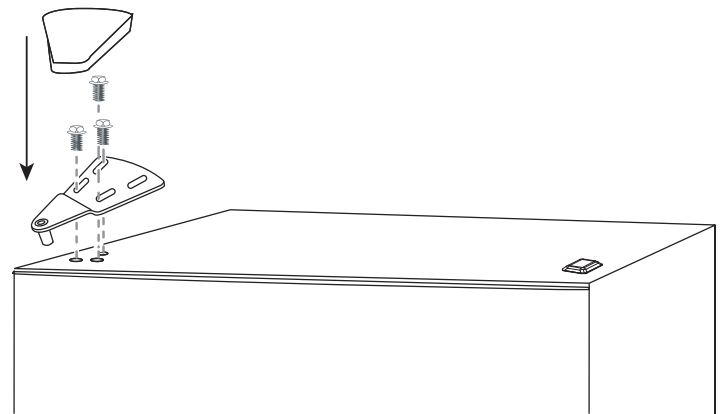
7. Installez la porte du réfrigérateur sur la charnière inférieure. Installez la charnière centrale.



8. Retirez les butées de porte du côté inférieur droit de la porte du congélateur et installez-les sur le côté inférieur gauche de la porte du congélateur.



10. Installez la porte du congélateur sur la charnière centrale. Installez la charnière supérieure et le couvercle de la charnière sur le côté supérieur gauche de l'armoire.



Remarque: Lors de la réinstallation des portes du réfrigérateur et du congélateur, assurez-vous que les joints en caoutchouc font un bon joint avec l'armoire avant de serrer les vis.

SOINS ET ENTRETIEN

NETTOYAGE

Assurez-vous que l'appareil est débranché avant de nettoyer une partie de l'appareil.

- Pour nettoyer l'intérieur de l'appareil, utilisez un chiffon doux et une solution d'une cuillère à soupe de bicarbonate de soude à un quart d'eau ou une solution de savon doux ou un détergent doux.
- Lavez les tablettes amovibles dans une solution détergente douce, puis séchez et essuyez avec un chiffon doux.
- Nettoyez l'extérieur avec un chiffon doux et humide et un peu de détergent doux.
- Il est important de garder la région de scellement de la porte sur l'armoire propre. Nettoyez avec un tissu savonneux, rincez la région et puis séchez.

Remarque: N'utilisez pas de produits nettoyants comprenant de l'ammoniaque ou de l'alcool sur l'appareil. L'ammoniaque ou l'alcool peuvent altérer le fini de l'appareil. N'utilisez jamais de nettoyant industriels sur aucune partie de votre appareil.

PANNE DE COURANT

La plupart des pannes de courant ne durent que quelques heures et ne devraient pas modifier la température de votre l'appareil si vous réduisez au maximum le nombre de fois où la porte est ouverte. Si le courant reste coupé pendant une longue période, il faut prendre des mesures de protection du contenu de l'appareil.

Remarque: Attendez 3 à 5 minutes avant d'essayer de redémarrer le réfrigérateur si l'opération a été interrompue.

VACANCES

- **Courtes vacances:** Laissez l'appareil fonctionner pendant les vacances durant moins de trois semaines.
- **Longues vacances:** Si l'appareil ne doit pas être utilisé pendant plusieurs mois, retirez tout ce qu'il contient et mettez-le hors tension. Nettoyez et asséchez à fond l'intérieur. Pour éviter les odeurs et le développement de moisissures, laissez la porte entrouverte, la coincer au besoin.

INSTRUCTIONS DE DÉGIVRAGE

Il n'est pas nécessaire de dégivrer le compartiment réfrigérateur car toute accumulation de glace sur le mur arrière sera décongelée automatiquement. Le dégivrage de l'eau du compartiment réfrigérateur est canalisé dans un bac d'égouttage au-dessus du compresseur. Le transfert de chaleur du compresseur provoque l'évaporation de l'eau.

Le compartiment congélateur doit être décongelé chaque fois que la gelée atteint une épaisseur de 3 à 5 mm (1/4 po). Pour dégivrer le compartiment congélateur, régler le thermostat sur "OFF", débrancher l'appareil et retirer tout le contenu congelé. Laissez la porte du congélateur ouverte pour laisser fondre le givre. Jeter l'eau fondue et laisser la porte ouverte jusqu'à ce que l'intérieur du congélateur soit sec.

N'oubliez pas de protéger vos sols pendant le processus de dégivrage en mettant des serviettes ou une casserole sous l'appareil en cas de fuite.

Important: n'utilisez jamais d'instruments pointu ou pointu pour enlever la glace. Le compartiment congélateur contient des conduites de gaz réfrigérées. Si ces lignes sont accidentellement percées, cela rendra le réfrigérateur inopérant et annulera la garantie du fabricant. Ne laissez pas le réfrigérateur continuer à fonctionner si le compartiment congélateur est percé.

DÉMÉNAGER

- Supprimez tous les contenus.
- Tournez les pattes réglables vers le haut pour éviter d'endommager.
- Fermez la porte.
- Assurez-vous que l'appareil reste en position verticale pendant le transport. Protégez l'extérieur de l'appareil avec une couverture.
- Si l'appareil est placé sur son dos ou sur son côté pendant le transport, en arrivant à la destination, laissez-le rester debout pendant 6 heures avant de brancher pour éviter d'endommager les composants internes.

ÉLIMINATION DES DÉCHETS

Ce produit ne doit pas être traité comme un déchet domestique ordinaire, il doit être transporté au point de collecte approprié pour le recyclage des composants électriques. Pour obtenir des renseignements sur les points de collecte des déchets locaux, communiquez avec votre agence locale de traitement des déchets ou avec le bureau du gouvernement.

QUESTIONS FRÉQUEMMENT POSÉES

Quels sont la puissance et les amplis standard utilisés?

Ces informations se trouvent sur la plaque signalétique située à l'arrière de l'armoire.

Combien cela coûte-t-il de faire fonctionner le congélateur?

Veuillez vous référer au guide énergétique.

Puis-je utiliser une rallonge?

Non, une rallonge ne peut pas être utilisée.

J'ai du mal à ouvrir la porte; Pourquoi?

La porte du réfrigérateur peut être difficile à ouvrir immédiatement après sa fermeture. Ceci est normal et est dû à la différence de pression entre l'intérieur froid du réfrigérateur et l'air chaud qui vient d'entrer dans le réfrigérateur lors de son ouverture. La pression s'égalisera en quelques minutes.

J'avais mon frigo sur le côté pour le ramener à la maison. Dois-je le laisser reposer? Et pour combien de temps?

Oui, laissez-le reposer pendant 6 heures avant de le brancher.

Le réfrigérateur sent le nouveau plastique. Comment le faire disparaître?

Il est courant que les nouveaux appareils aient une légère odeur de plastique. Assurez-vous d'avoir retiré tout le matériel d'emballage du réfrigérateur. Nettoyez l'intérieur du boîtier en suivant les instructions de nettoyage incluses dans le manuel du propriétaire. Une fois terminé, placez une boîte ouverte de bicarbonate de soude dans le réfrigérateur pour absorber toute odeur restante.

Comment régler la température?

- Cela varie en fonction du modèle:
- Si le cadran de votre thermostat a une ligne bleue graduée, la partie la plus fine de la ligne indique des températures plus chaudes et la partie la plus épaisse de la ligne indique des températures plus froides.
- Si le cadran de votre thermostat comporte des points, les petits points indiquent des températures plus chaudes et les plus grands points indiquent des températures plus froides
- Si le cadran de votre thermostat comporte des chiffres, les plus petits chiffres indiquent des températures plus chaudes et les plus grands indiquent des températures plus froides

DÉPANNAGE

L'appareil n'est pas alimenté

- Un fusible est peut-être grillé ou le disjoncteur s'est déclenché
- La fiche n'est pas complètement insérée dans la prise murale

Température interne pas assez froide

- Le réglage de la température est trop chaud
- La porte n'est pas correctement fermée ou ouverte de manière excessive
- Récemment ajouté une grande quantité d'aliments chauds dans l'armoire
- Proche d'une source de chaleur ou de la lumière directe du soleil
- La température ambiante ou l'humidité est très élevée

Le réfrigérateur fonctionne en continu

- Le réglage de la température est trop froid
- La porte n'est pas correctement fermée ou ouverte de manière excessive
- Récemment ajouté une grande quantité d'aliments chauds dans l'armoire
- Proche d'une source de chaleur ou de la lumière directe du soleil
- La température ambiante ou l'humidité est très élevée

Le réfrigérateur émet un gargouillis lorsqu'il fonctionne

- Ce bruit est tout à fait normal. Le réfrigérant à l'intérieur de l'appareil émettra un gargouillis lorsqu'il passe d'un liquide à un gaz et vice-versa.

GARANTIE LIMITÉE « À DOMICILE »

Cet appareil de qualité est garanti exempt de tout vice de matière première et de fabrication, s'il est utilisé dans les conditions normales recommandées par le fabricant.

Cette garantie n'est offerte qu'à l'acheteur initial de l'appareil vendu par Danby Products Limited (Canada) ou Danby Products Inc. (É.-U.) (ci-après « Danby ») ou par l'un de ses distributeurs agréés et elle ne peut être transférée.

CONDITIONS

Les pièces en plastique sont garanties pendant trente (30) jours seulement à partir de la date de l'achat, sans aucune prolongation prévue.

Premiers 12 mois Pendant les premiers **douze (12) mois**, toutes les pièces fonctionnelles de ce produit qui s'avèrent défectueuses seront réparées ou remplacées, selon le choix du garant, sans frais à l'acheteur initial.

Pour bénéficiaire du service S'adresser au détaillant qui a vendu l'appareil, ou à la station technique agréée de service la plus proche, où les réparations doivent être effectuées par un technicien qualifié. Si les réparations sont effectuées par quiconque autre que la station de service agréée ou à des fins commerciales, toutes les obligations de Danby en vertu de cette garantie seront annulées.

Limites de l'entretien à domicile Danby se réserve le droit de limiter les limites de « Service au domicile » à proximité d'un dépôt de service agréé. Pour tout appareil nécessitant le service hors des limites de "Service à domicile" il sera la responsabilité du consommateur de transporter à ses frais au point d'achat d'origine ou un dépôt de service pour la réparation. Si l'appareil est installé à plus de **100 kilomètres (62 milles)** du centre de service le plus proche, il doit être livré à l'atelier de réparation autorisé par Danby le plus proche, car l'entretien doit uniquement être réalisé par un technicien qualifié et certifié pour effectuer un entretien couvert par la garantie de Danby.

Les frais de transport entre votre domicile et le lieu de l'entretien ne sont pas couverts par la présente garantie et doivent être acquittés par l'acheteur.

Aucune partie de la garantie ne prévoit implicitement que le fabricant sera tenu responsable des dommages subis par les aliments ou d'autres types de contenu, qu'ils soient causés par la défectuosité de l'appareil ou par son usage adéquat ou inadéquat.

EXCLUSIONS

En vertu de la présente, il n'existe aucune autre garantie, condition ou représentation, qu'elle soit exprimée ou tacite, de façon manifeste ou intentionnelle, par Danby ou ses distributeurs agréés. De même, sont exclues toutes les autres garanties, conditions ou représentations, y compris les garanties, conditions ou représentations en vertu de toute loi régissant la vente de produits ou de toute autre législation ou règlement semblable. En vertu de la présente, Danby ne peut être tenue responsable en cas de blessures corporelles ou de dégâts matériels, y compris à l'appareil, quelle qu'en soit la cause. Danby ne peut pas être tenue responsable des dommages indirects dus au fonctionnement défectueux de l'appareil. En achetant l'appareil, l'acheteur accepte de tenir sans reproche et de dégager Danby de toute responsabilité en cas de réclamation pour toute blessure corporelle ou tout dégât matériel causé par cet appareil.

CONDITIONS GÉNÉRALES

La garantie ou assurance ci-dessus ne s'applique pas si les dégâts ou réparations sont dus aux cas suivants :

- 1) Panne de courant.
- 2) Dommages subis pendant le transport ou le déplacement de l'appareil.
- 3) Alimentation électrique incorrecte (tension faible, câblage défectueux, fusibles incorrects).
- 4) Accident, modification, emploi abusif ou incorrect de l'appareil tel qu'une circulation d'air inadéquate dans la pièce ou des conditions de fonctionnement anormales (température extrêmement élevée ou basse).
- 5) Utilisation dans un but commercial ou industriel (à savoir, si l'appareil n'est pas installé dans un domicile résidentiel).
- 6) Incendie, dommages causés par l'eau, le vol, la guerre, une émeute, des hostilités, ou en cas de force majeure (ouragan, inondation, etc.).
- 7) Visites d'un technicien pour expliquer le fonctionnement de l'appareil au propriétaire.
- 8) Installation inappropriée (par exemple, encastrement d'un appareil autoportant, ou utilisation extérieure d'un appareil non conçu à cet effet, y compris, mais sans s'y limiter : les garages, les patios, les porches ou ailleurs, qui ne sont pas correctement isolés ou climatisés).

La preuve de la date d'achat sera requise pour les réclamations de garantie; conserver la facture de vente. Dans le cas où un service de garantie est requis, présentez la preuve d'achat à notre dépôt de service agréé.

Service sous garantie

Service au domicile

Danby Products Limited
PO Box 1778, Guelph, Ontario, Canada N1H 6Z9
Téléphone : (519) 837-0920 Télécopieur : (519) 837-0449

1-800-263-2629

02/18

Danby Products Inc.
PO Box 669, Findlay, Ohio, U.S.A. 45840
Téléphone : (419) 425-8627 Télécopieur : (419) 425-8629

Bienvenido a la familia Danby.

Estamos orgullosos de nuestros productos de calidad y creemos en un servicio confiable. Le sugerimos que lea este manual del propietario antes de enchufar su nuevo electrodoméstico, ya que contiene información importante de funcionamiento, información de seguridad, solución de problemas y consejos de mantenimiento para garantizar la confiabilidad y longevidad de su electrodoméstico.

Tiene derecho a la cobertura de la garantía como se describe en el manual del propietario que se proporciona con su nuevo electrodoméstico.

1. Escriba la información de su aparato a continuación. **Debe conservar el comprobante de compra original para validar y recibir los servicios de garantía.**
2. Registre su producto en línea y reciba una **EXTENSIÓN DE GARANTÍA GRATUITA DE 2 MESES** después de completar una encuesta sobre el producto, en www.danby.com/support/product-registration/

Número de modelo: _____

Número de serie: _____

Fecha de compra: _____

Necesitas ayuda?

1. Lea el manual del propietario para obtener ayuda con la instalación, resolución de problemas y asistencia de mantenimiento.
2. Visite www.Danby.com para acceder a herramientas de autoservicio, preguntas frecuentes y mucho más buscando su número de modelo en la barra de búsqueda.
3. Para obtener el **servicio al cliente más rápido**, complete el formulario web en www.danby.com/support. Su envío irá directamente a un experto en su dispositivo en particular. Nuestros tiempos de respuesta promedio son entre 20 minutos y 2 horas, durante el horario comercial EST.
4. Llame al **1-800-263-2629**; tenga en cuenta que durante las horas pico, los tiempos de espera pueden exceder una hora.



Importantes Instrucciones de Seguridad

LEA Y SIGA TODAS LAS INSTRUCCIONES DE SEGURIDAD

REQUERIMIENTOS DE SEGURIDAD

PELIGRO: Riesgo de incendio o explosión. Refrigerante inflamable usado. No perforar la tubería del refrigerante.

- No utilice dispositivos mecánicos para descongelar el refrigerador.
- Asegúrese de que el personal de mantenimiento autorizado por la fábrica haga el mantenimiento para minimizar los daños o problemas de seguridad del producto.
- Consulte el manual de reparación o la guía del propietario antes de intentar reparar este producto. Todas las precauciones de seguridad deben ser seguidas.
- Deseche adecuadamente de acuerdo con las regulaciones federales o locales.
- Siga cuidadosamente las instrucciones de manipulación.
- No almacene sustancias explosivas como aerosoles con propelente inflamable en este electrodoméstico.

ADVERTENCIA: Mantenga las aberturas de ventilación, en la caja del aparato o en la estructura incorporada, sin obstrucción.

ADVERTENCIA: No utilice dispositivos mecánicos u otros medios para acelerar el proceso de descongelación, distintos de los recomendados por el fabricante.

ADVERTENCIA: No dañar el circuito refrigerante.

ADVERTENCIA: No utilice electrodomésticos dentro de los compartimentos de almacenamiento de alimentos del aparato, a menos que sean del tipo recomendado por el fabricante.

PRECAUCIÓN: Los niños deben ser supervisados para asegurarse de que no juegan con el aparato.

PELIGRO: Riesgo de atrapamiento de niños. Antes de tirar un electrodoméstico viejo:

- Retire la puerta o la tapa.
- Deje los estantes en su lugar para que los niños no puedan subir fácilmente dentro.

PELIGRO: No agregue un candado a la puerta o tapa. Esto puede causar atrapamiento y daño al niño.

REQUERIMIENTOS DE SEGURIDAD

Este aparato no está diseñado para ser usado por personas (incluyendo niños) cuyas capacidades físicas, sensoriales o mentales pueden ser diferentes o reducir, o que carecen de experiencia o conocimiento, a menos que dichas personas reciban supervisión o entrenamiento para operar el aparato por una persona responsable de su la seguridad.

Este dispositivo está destinado a ser utilizado en aplicaciones domésticas y similares, tales como:

- Cocinas de personal en tiendas, oficinas y otros entornos de trabajo;
- Casas rurales y clientes en hoteles, moteles y otros entornos de tipo residencial;
- Cama y desayuno;
- Catering y aplicaciones similares no minoristas.

INSTRUCCIONES DE CONEXION A TIERRA

Este aparato debe estar conectado a tierra. La puesta a tierra reduce el riesgo de descarga eléctrica proporcionando un cable de escape para la corriente eléctrica.

Este aparato tiene un cable que tiene un cable de conexión a tierra con un enchufe de 3 clavijas. El cable de alimentación debe estar enchufado en un tomacorriente que esté debidamente conectado a tierra. Si el tomacorriente es un enchufe de pared de 2 terminales, debe ser reemplazado por un tomacorriente de pared de 3 clavijas debidamente conectado a tierra. La placa de características en serie indica el voltaje y la frecuencia que el aparato está diseñado para.

ADVERTENCIA - El uso incorrecto del enchufe de conexión a tierra puede resultar en un riesgo de descarga eléctrica. Consulte a un electricista calificado o agente de servicio si las instrucciones de conexión a tierra no se entienden completamente o si existe duda sobre si el aparato está debidamente conectado a tierra.

No conecte el aparato a los cables de extensión ni con otro aparato en la misma toma de corriente.

No empalme el cable de alimentación. No corte ni extraiga en ningún caso la tercera clavija de tierra del cable de alimentación. No utilice cables de extensión ni adaptadores sin conexión a tierra (dos clavijas).

Si el cable de alimentación está dañado, debe ser reemplazado por el fabricante, su agente de servicio o persona calificada similar para evitar riesgos.

¡GUARDE ESTAS INSTRUCCIONES!

INSTRUCCIONES DE INSTALACIÓN

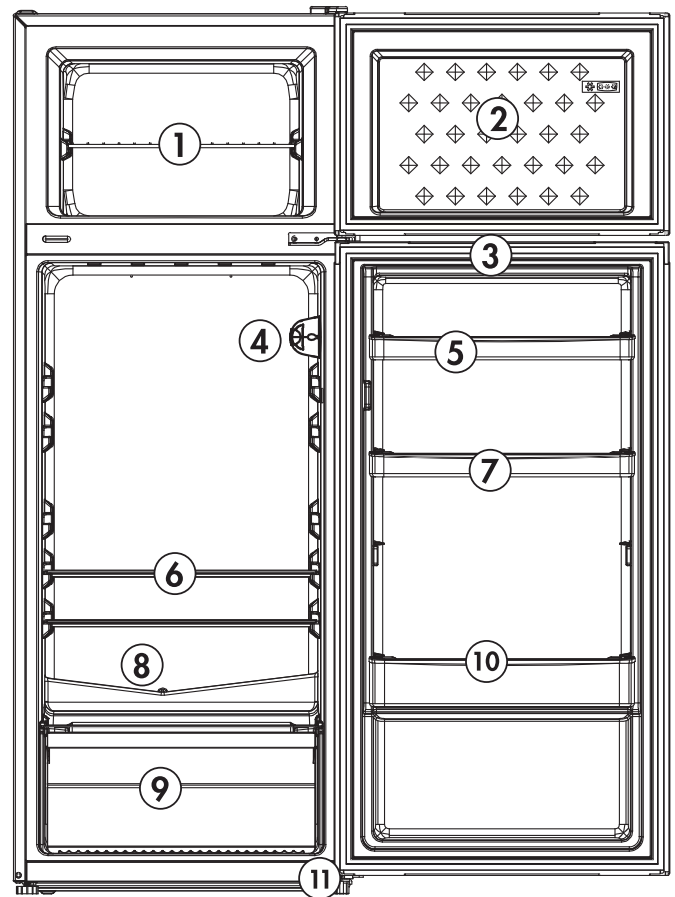
UBICACIÓN

- Se deben utilizar dos personas al mover el aparato.
- Retire el embalaje interior y exterior antes de la instalación. Limpie el exterior del aparato con un paño suave y seco y el interior con un paño húmedo tibio.
- Coloque el aparato en un piso que sea lo suficientemente fuerte como para soportarlo cuando esté completamente cargado.
- Ubique el aparato lejos de la luz directa del sol y fuentes de calor (estufa, calentador, radiador, etc.). La luz solar directa y las fuentes de calor pueden aumentar el consumo eléctrico. Las temperaturas ambientales extremadamente frías también pueden causar que la unidad funcione incorrectamente.
- No utilice este producto cerca del agua, por ejemplo, en un sótano húmedo o cerca de un fregadero.
- Este aparato está diseñado para uso doméstico solamente. Esta unidad no está diseñada para instalación exterior, incluida la instalación en cualquier lugar que no sea de temperatura controlada (garajes, porches, cocheras, etc.).
- Antes de conectar el aparato a una fuente de alimentación, deje que se mantenga erguido durante aproximadamente 6 horas; Esto reducirá la posibilidad de un malfuncionamiento en el sistema de enfriamiento debido a la manipulación durante el transporte.
- Este aparato mide 54 cm (21,3 pulgadas) de ancho por 142,8 cm (56,2 pulgadas) de alto por 55,1 cm (21,7 pulgadas) de profundidad.
- Deje 5 cm (2 pulgadas) de espacio entre la parte posterior, los lados y la parte superior del electrodoméstico y las paredes adyacentes.
- Este aparato está diseñado para instalación independiente y no está diseñado para ser instalado en un gabinete o mostrador. La construcción en este aparato puede causar un mal funcionamiento.

INSTRUCCIONES DE OPERACIÓN

CARACTERÍSTICAS

1. Alambre Estante del congelador
2. Puerta del congelador
3. Junta magnética
4. Dial del termostato y luz interior
5. Bandeja de huevos
6. Estantes de refrigerador de vidrio
7. Estanterías para puertas de refrigerador
8. Desagüe del drenaje
9. Cajón de verduras
10. Almacenamiento de botellas
11. Pies ajustables



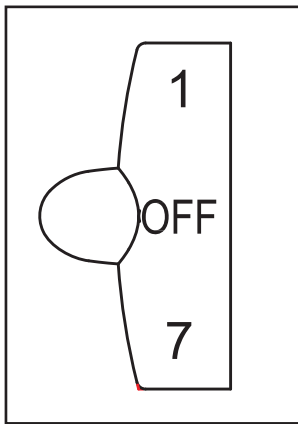
INSTRUCCIONES DE OPERACIÓN

SELECCION DE TEMPERATURA

El dial del termostato en el techo interior del compartimiento del refrigerador está numerado de 1 a 7. 1 es el ajuste más caliente y 7 es el ajuste más frío.

El valor recomendado de 4 debe ser suficiente para el uso doméstico regular. Para detener todo el enfriamiento, gire el dial a "OFF".

Este dial controla la temperatura para los compartimentos del refrigerador y del congelador.



LUZ INTERIOR

Cualquier reemplazo de la luz LED interior debe ser realizado por el fabricante, su agente de servicio o una persona calificada similar.

INSTRUCCIONES DE NIVELACIÓN

Hay dos pies ajustables en la parte inferior del aparato que se pueden subir o bajar para asegurarse de que el aparato esté nivelado.

1. Gire los pies de nivelación en sentido antihorario hasta que la parte superior del pie toque la parte inferior del chasis.
2. Gire lentamente las patas de nivelación en sentido horario hasta que el aparato esté nivelado.

TAPÓN DE DRENAJE

El tapón de drenaje se puede encontrar en la bolsa de accesorios. Inserte el extremo puntiagudo del tapón de drenaje en el orificio de drenaje en la pared posterior del gabinete del electrodoméstico para asegurarse de que el drenaje no esté obstruido por partículas de alimentos o acumulación de agua dura.

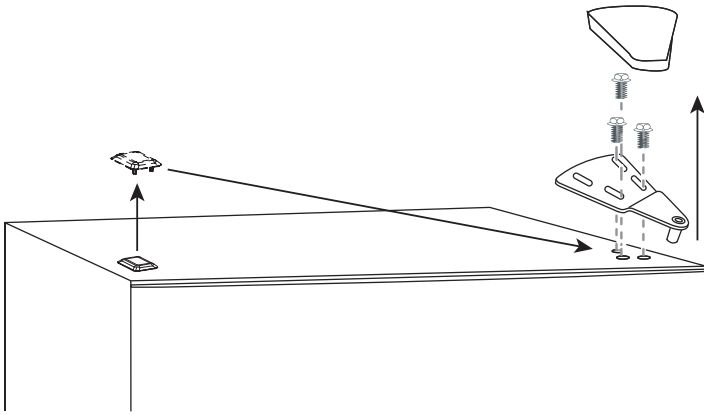


INSTRUCCIONES DE OPERACIÓN

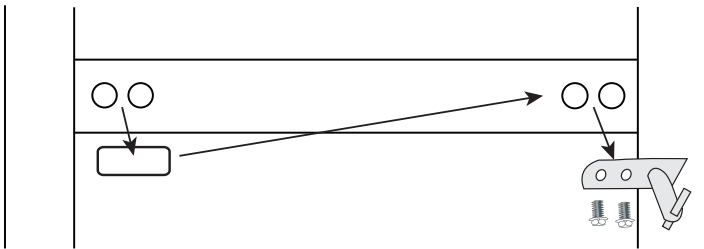
INSTRUCCIONES DE REVERSIÓN DE PUERTA

Si el aparato se coloca en su parte posterior o lateral durante un período de tiempo prolongado durante este proceso, se debe permitir que permanezca erguido durante 6 horas antes de enchufarlo para evitar daños a los componentes internos.

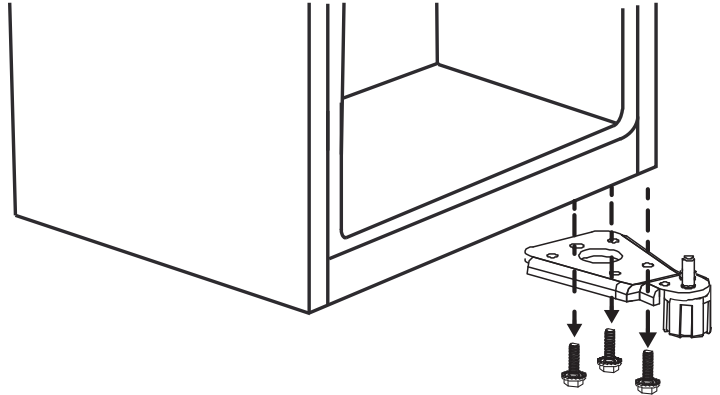
1. Retire la cubierta de la bisagra y la bisagra superior del lado superior derecho del gabinete. Retire la puerta del congelador del gabinete. Retire la tapa del orificio para tornillos del lado superior izquierdo del gabinete e instálela en el lado superior derecho del gabinete.



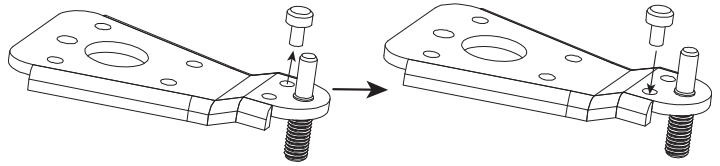
2. Retire la bisagra central. Retire la puerta del frigorífico del armario. Quite la tapa del orificio del tornillo del lado izquierdo del gabinete e instálela en el lado derecho del gabinete.



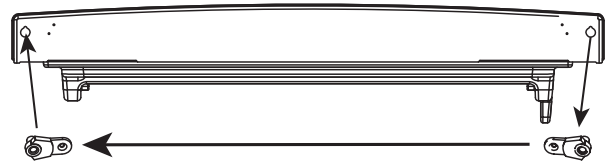
3. Retire la bisagra inferior y el pie ajustable del lado inferior derecho del gabinete.



4. Retire el eje del pasador del lado derecho de la bisagra inferior. Instálelo en el lado izquierdo de la bisagra inferior. Instale la bisagra inferior y el pie ajustable en el lado inferior izquierdo del gabinete.

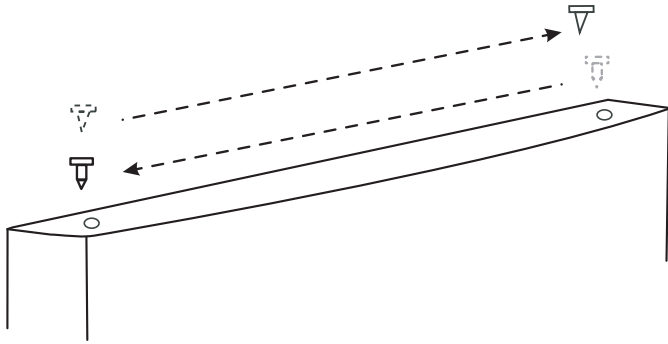


5. Retire los topes de la puerta del lado inferior derecho de la puerta del refrigerador e instálelos en el lado inferior izquierdo de la puerta del refrigerador.

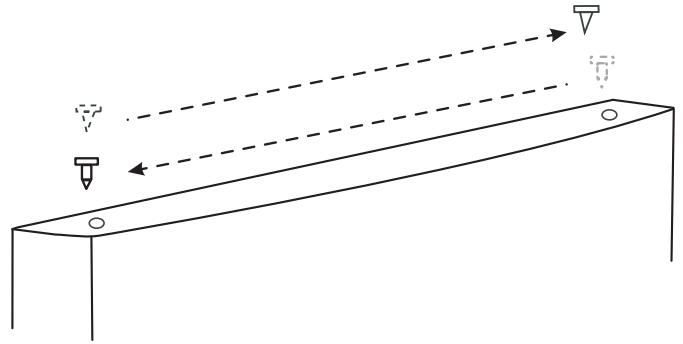


INSTRUCCIONES DE OPERACIÓN

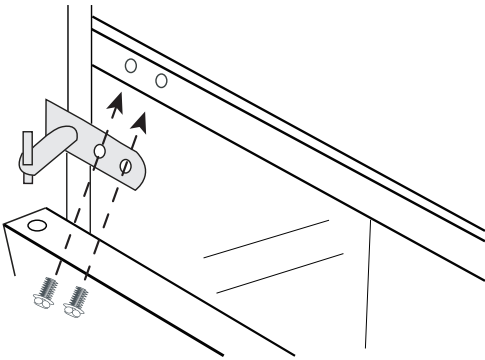
6. Quite la tapa del orificio del lado superior izquierdo de la puerta del refrigerador. Retire el casquillo de la puerta del lado superior derecho de la puerta del refrigerador. Instale la tapa del orificio en la parte superior derecha de la puerta. Instale el buje de la puerta en el lado superior izquierdo de la puerta.



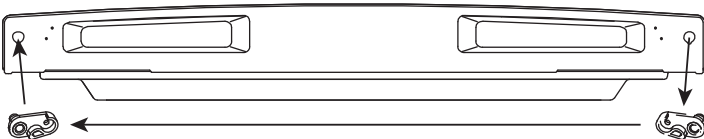
9. Quite la tapa del orificio del lado superior izquierdo de la puerta del congelador. Retire el casquillo de la puerta del lado superior derecho de la puerta del congelador. Instale la tapa del orificio en la parte superior derecha de la puerta. Instale el buje de la puerta en el lado superior izquierdo de la puerta.



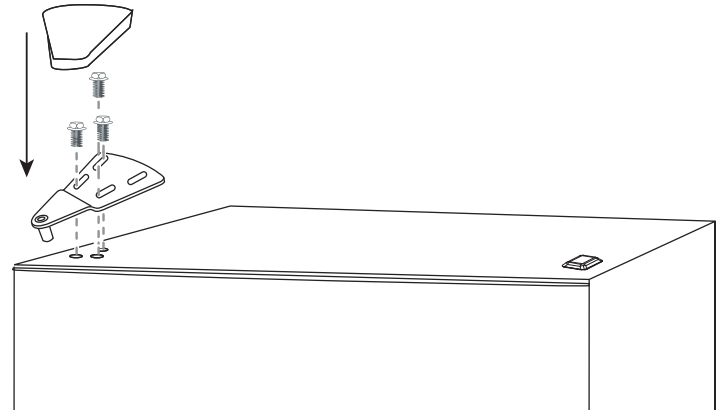
7. Instale la puerta del refrigerador en la bisagra inferior. Instale la bisagra central.



8. Retire los topes de la puerta del lado inferior derecho de la puerta del congelador e instálelos en el lado inferior izquierdo de la puerta del congelador.



10. Instale la puerta del congelador en la bisagra central. Instale la bisagra superior y la cubierta de la bisagra en el lado superior izquierdo del gabinete.



Nota: Al volver a instalar las puertas del refrigerador y del congelador, asegúrese de que las juntas de goma están haciendo un buen sellado con el gabinete antes de apretar los tornillos.

CUIDADO Y MANTENIMIENTO

LIMPIEZA

Asegúrese de que la unidad esté desenchufada antes de limpiar cualquier parte del aparato.

- Para limpiar el interior del aparato, utilice un paño suave y una solución de una cucharada de bicarbonato de sodio a un litro de agua o una solución de jabón suave o algún detergente suave.
- Lave los estantes removibles en una solución de detergente suave, luego seque y limpie con un paño suave.
- Limpie el exterior con un paño suave y húmedo y un poco de detergente suave.
- Es importante mantener el área limpia donde la puerta sella contra el gabinete. Limpie este área con un paño jabonoso. Enjuague con un paño húmedo y deje secar.

Nota: No utilice limpiadores que contengan amoníaco o alcohol en el aparato. El amoníaco o el alcohol pueden dañar el aspecto del aparato. Nunca utilice limpiadores comerciales o abrasivos ni objetos afilados en ninguna parte del aparato.

FALLO DE ALIMENTACIÓN

La mayoría de las fallas de alimentación se corrigen en pocas horas y no deben afectar la temperatura de su aparato si minimiza el número de veces que se abre la puerta. Si la alimentación va a estar apagada por un período de tiempo más largo, tome las medidas apropiadas para proteger su contenido.

Nota: Espere de 3 a 5 minutos antes de intentar reiniciar el refrigerador si se ha interrumpido la operación.

VACACIONES

- **Vacaciones cortas:** Deje el aparato en funcionamiento durante las vacaciones de menos de tres semanas.
- **Largas vacaciones:** Si el aparato no se va a utilizar durante varios meses, retire todos los artículos y apague el aparato. Limpie y seque el interior a fondo. Para evitar el olor y el moho, deje la puerta ligeramente abierta, bloqueándola si es necesario.

INSTRUCCIONES DE DESCONGELACIÓN

No hay necesidad de descongelar el compartimiento del refrigerador ya que cualquier acumulación de hielo en la pared posterior se descongelará automáticamente. El agua de descongelación del compartimiento del refrigerador se canaliza en una bandeja de goteo sobre el compresor. La transferencia de calor del compresor hace que el agua se evapore.

El congelador se descongelará siempre que la escarcha alcance 3 a 5 mm de espesor. Para descongelar el congelador, coloque el termostato en "OFF", desenchufe el aparato y retire todo el contenido congelado. Deje la puerta del congelador abierta para permitir que la escarcha se derrita. Deseche el agua derretida y deje la puerta abierta hasta que el interior del congelador esté seco.

Recuerde proteger sus pisos durante el proceso de descongelación poniendo toallas o una sartén bajo el aparato en caso de fugas.

Importante: No utilice nunca instrumentos afilados o puntiagudos para quitar el hielo. El congelador contiene líneas de gas refrigerado. Si estas líneas se perforan accidentalmente hará que el refrigerador inoperable y anular la garantía del fabricante. No permita que el refrigerador continúe funcionando si el compartimiento del congelador está perforado.

MUDARSE

- Quite todo el contenido.
- Gire las patas ajustables para evitar daños.
- Cinta la puerta cerrada.
- Asegúrese de que el aparato permanezca en posición vertical durante el transporte. Proteja el exterior del aparato con una manta.
- Si el aparato se coloca en su parte posterior o lateral durante el transporte, al llegar al destino, déjelo en posición vertical durante 6 horas antes de enchufarlo para evitar daños a los componentes internos.

DISPOSICIÓN

Este aparato no puede ser tratado como un residuo doméstico normal, sino que debe ser llevado al punto de recogida de residuos apropiado para el reciclaje de componentes eléctricos. Para obtener información sobre los puntos de recogida de residuos locales, póngase en contacto con la agencia local de eliminación de residuos o con la oficina gubernamental.

PREGUNTAS FRECUENTES

¿Cuáles son las potencias y amperios estándar que se utilizan?

Esta información se puede encontrar en la placa de clasificación ubicada en la parte posterior del gabinete.

¿Cuánto cuesta hacer funcionar el congelador?

Consulte la guía de energía.

¿Puedo usar un cable de extensión?

No, no se puede usar un cable de extensión.

Tengo problemas para abrir la puerta; ¿por qué?

La puerta del frigorífico puede resultar difícil de abrir inmediatamente después de cerrarla. Esto es normal y se debe a la diferencia de presión entre el interior frío del frigorífico y el aire caliente que acaba de entrar al frigorífico cuando se abrió. La presión se igualará en unos minutos.

Tenía mi refrigerador de lado para llevarlo a casa. ¿Tengo que dejarlo reposar? ¿Y por cuánto tiempo?

Sí, déjelo en posición vertical durante 6 horas antes de enchufarlo.

El frigorífico huele a plástico nuevo. ¿Cómo hago para que desaparezca?

Es común que los electrodomésticos nuevos tengan un ligero olor a plástico. Asegúrese de haber retirado todo el material de embalaje del frigorífico. Limpie el interior del gabinete siguiendo las instrucciones de limpieza incluidas en el manual del propietario. Una vez completado, coloque una caja abierta de bicarbonato de sodio en el refrigerador para absorber cualquier olor restante.

¿Cómo configuro la temperatura?

- Esto varía según el modelo:
- Si el dial de su termostato tiene una línea azul graduada, la parte más delgada de la línea indica temperaturas más cálidas y la parte más gruesa de la línea indica temperaturas más frías.
- Si el dial de su termostato tiene puntos, los puntos más pequeños indican temperaturas más cálidas y los puntos más grandes indican temperaturas más frías
- Si el dial de su termostato tiene números, los números más pequeños indican temperaturas más cálidas y los números más grandes indican temperaturas más frías

SOLUCIÓN SUGERIDA

No funciona

- Es posible que se haya fundido un fusible o que se haya disparado el disyuntor
- El enchufe no está completamente insertado en el tomacorriente de pared

La temperatura interna no es lo suficientemente fría

- El ajuste de temperatura es demasiado cálido
- La puerta no se cierra correctamente o se abre excesivamente
- Recientemente se agregó una gran cantidad de comida caliente al gabinete.
- Muy cerca de una fuente de calor o luz solar directa.
- La temperatura ambiente o la humedad es muy alta

El refrigerador funciona continuamente

- El ajuste de temperatura es demasiado frío
- La puerta no se cierra correctamente o se abre excesivamente
- Recientemente se agregó una gran cantidad de comida caliente al gabinete.
- Muy cerca de una fuente de calor o luz solar directa.
- La temperatura ambiente o la humedad es muy alta

El frigorífico hace un gorgoteo cuando está en funcionamiento

- Este ruido es completamente normal. El refrigerante dentro del aparato emitirá un gorgoteo cuando cambie de líquido a gas y viceversa.

GARANTÍA LIMITADA "A DOMICILIO"

Este producto de calidad está garantizado contra defectos de fabricación, incluyendo partes y mano de obra, siempre y cuando la unidad se utilice bajo las condiciones normales de funcionamiento para las que fue diseñado. Esta garantía está solamente disponible para la persona que haya comprado originalmente esta unidad directamente de Danby Products Limited (Canada) o Danby Products Inc. (U.S.A.) (en adelante "Danby") o uno de sus distribuidores autorizados, y no es transferible.

CONDICIONES DE LA GARANTÍA

Las piezas plásticas, se autorizan por treinta (30) días solamente a partir de la fecha de la compra, sin las extensiones proporcionadas.

Primeros 12 meses Durante los primeros **doce (12) meses**, cualquier parte en buen estado de este producto que resulte defectuosa, incluyendo cualquier sistema sellado, será reparado o reemplazado, a opción del fabricante, sin cargo para el comprador ORIGINAL.

Para obtener servicio Comuníquese con el distribuidor donde haya comprado la unidad, o llame al Taller de Servicio Autorizado más cercano, donde debe ser reparada por un técnico calificado. Si esta unidad es reparada en otro lugar que no sea un Taller de Servicio Autorizado, o si la unidad se utiliza para aplicaciones comerciales, Danby no se hará responsable de ninguna forma y la garantía será anulada.

Límites del servicio técnico a domicilio Danby se reserva el derecho de limitar la cobertura de "Servicio en Domicilio" sujeto a la proximidad de un **Taller de Servicio Autorizado**. Para todo artefacto que requiera servicio fuera del área limitada de "Servicio en Domicilio", el cliente será responsable por transportar dicho artefacto hasta el Taller de Servicio Autorizado más cercano. Si el electrodoméstico está instalado en un lugar que se encuentra a **100 kilómetros (62 millas)** o más del centro de servicios más cercano, se debe llevar la unidad al Centro de servicios Danby autorizado más cercano, ya que dicho servicio sólo puede realizarlo un técnico calificado y certificado por Danby para prestar servicios de garantía.

Los cargos por transporte desde y hacia el lugar en que se efectúe el servicio técnico no están cubiertos por esta garantía y son de responsabilidad del comprador.

Nada dentro de esta garantía implica que Danby será responsable por cualquier daño que hayan sufrido los alimentos u otros contenidos de este aparato, ya sea debido a un defecto del aparato, o su uso, adecuado o inadecuado.

EXCLUSIONES

Salvo lo aquí indicado por Danby, no existen otras garantías, condiciones o representaciones, explícitas o implícitas, concretas o intencionales por parte de Danby o sus distribuidores autorizados y todas las demás garantías, condiciones o representaciones, incluyendo cualquier garantía, condiciones o representaciones bajo cualquier Acta de Venta de Productos o legislación o estatuto similar, quedan de esta forma expresamente excluidas. **Salvo lo aquí indicado, Danby no serán responsables por ningún daño a personas o bienes, incluyendo la propia unidad, sin importar su causa, o de ningún daño indirecto causado por el desperfecto de la unidad, y al comprar esta unidad, el comprador acepta por la presente, indemnizar y proteger a Danby contra cualquier reclamo por daños a personas o bienes causados por la unidad.**

CONDICIONES GENERALES

No se considerará ninguna de estas garantías o seguros cuando el daño o la necesidad de reparación sea el producto de los siguientes casos:

- 1) Falla del suministro eléctrico.
- 2) Daños en tránsito o durante el transporte de la unidad.
- 3) Alimentación incorrecta, como bajo voltaje, instalación eléctrica defectuosa o fusibles inadecuados.
- 4) Accidente, modificación, abuso o uso incorrecto del artefacto, tal como insuficiente ventilación del ambiente o condiciones de operación anormales (temperatura ambiente extremadamente alta o baja).
- 5) Utilización comercial o industrial (v.g., si el electrodoméstico no está instalado en una vivienda particular).
- 6) Incendio, daños por agua, robo, guerra, disturbios, hostilidades, actos de fuerza mayor como huracanes, inundaciones, etc.
- 7) Pedidos de servicio debido a desinformación del usuario.
- 8) Instalación inadecuada (v.g., instalación empotrada de un electrodoméstico diseñado como unidad independiente o uso de un electrodoméstico al aire libre que no esté aprobado para dicho fin, incluyendo pero no limitado a: garajes, patios, porches o en cualquier lugar que no esté bien aislado o controlado por el clima).

Se requerirá una prueba de la fecha de compra para reclamaciones de garantía; Retener las facturas de venta. En el caso de que se requiera servicio de garantía, presente el comprobante de compra a nuestro depósito de servicio autorizado.

Servicio de Garantía
Servicio en Domicilio

Danby Products Limited
PO Box 1778, Guelph, Ontario, Canada N1H 6Z9
Telephone: (519) 837-0920 FAX: (519) 837-0449

1-800-263-2629
04/17

Danby Products Inc.
PO Box 669, Findlay, Ohio, U.S.A. 45840
Telephone: (419) 425-8627 FAX: (419) 425-8629



Danby Products Limited, Guelph, ON, Canada N1H 6Z9
Danby Products Inc., Findlay, Ohio, USA 45840