

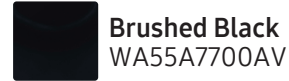
# WA55A7700AV

## Samsung 5.5 cu. ft. Extra-Large Capacity Smart Top Load Washer with Auto Dispense System

# SAMSUNG



### Available Color



### Features

- Auto Dispense System
- Extra-Large 5.5 cu. ft. Capacity
- Super Speed Wash
- Wi-Fi Connectivity\*
- Active WaterJet
- Deep Fill
- Smart Care
- Vibration Reduction Technology+
- Swirl+ Tub Interior
- Self Clean
- Soft-Close Lid
- ENERGY STAR® Certified
- Stainless Steel Pulsator
- Accessibility (AUI, Braille)
- 750 RPM Maximum Spin Speed
- Direct Drive Motor
- 17 Total Washing Cycles
- 11 Additional Washing Options

### Convenience

- Child Lock
- Dispenser Trays: Main Wash, Softener, Bleach, Auto Detergent, Auto Softener

### Ratings



ENERGY STAR® Rated:  
 IMEF = 2.06  
 IWF = 4.3  
 120 kWh/yr

### Electrical Requirements

120 V / 60 Hz  
 15 Amps

### Specifications

#### 12 Preset Washing Cycles:

Normal, Bedding/Waterproof, Heavy Duty, Colors, Whites, Activewear, Delicates, Quick Wash, Self Clean, Rinse + Spin, Deep Wash, Downloaded

#### 5 Downloadable Washing Cycles:

Permanent Press, Wool, Eco Cold, Denim, Power Rinse

#### 11 Additional Washing Options:

Delay End, Presoak, Sound On/Off, Child Lock, Deep Fill, Super Speed, Smart Care, Smart Control, Spin Only, Detergent (Auto Dispense System), Softener (Auto Dispense System)

#### 5 Temperature Settings:

Hot, Warmer, Warm, Cool, Cold

#### 5 Spin Settings:

High, Medium High, Medium, Low, No Spin

#### 5 Soil Settings:

Heavy, Heavy Medium, Normal, Low Medium, Light

#### Warranty

One (1) Year Parts and Labor  
 Three (3) Years Stainless Tub Part (Part Only)  
 Washing DIT (Digital Inverter Motor) Motor Part (Part Only):  
 Ten (10) Years  
 Twenty (20) Years Limited to "U.S.-Assembled" Washers Only

#### Product Dimensions & Weight (WxHxD)

Dimensions: 27<sup>9</sup>/<sub>16</sub>" x 45<sup>13</sup>/<sub>16</sub>" x 29<sup>7</sup>/<sub>16</sub>"  
 Weight: 134.5 lbs

#### Shipping Dimensions & Weight (WxHxD)

Dimensions: 30<sup>1</sup>/<sub>8</sub>" x 47<sup>11</sup>/<sub>16</sub>" x 31<sup>1</sup>/<sub>4</sub>"  
 Weight: 143.3 lbs

Washer	Model #	UPC Code
Brushed Black	WA55A7700AV	887276552927
<b>Matching Electric Dryer</b>		
Brushed Black	DVE55A7700V	887276557762
<b>Matching Gas Dryer</b>		
Brushed Black	DVG55A7700V	887276557847

\*Requires wireless network, Samsung account and Samsung SmartThings App. The Samsung Smart Things App supports Android OS 4.0 (ICS) or later which is optimized for Samsung smartphones (Galaxy S and Galaxy Note series). This app also supports iOS 7 or later for iPhone models. Samsung SmartThings App available in App Store and Play Store.

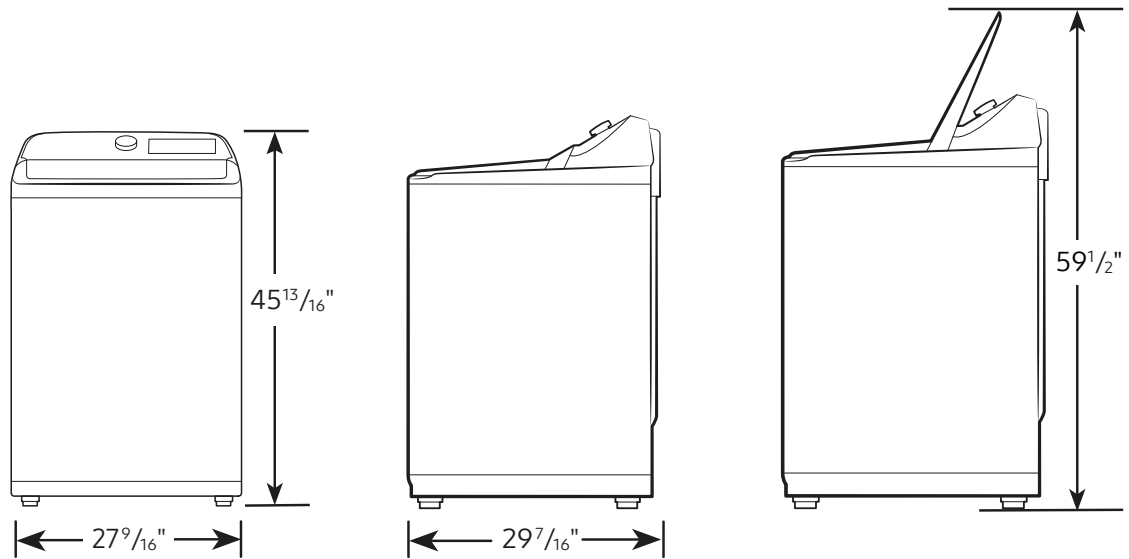
# WA55A7700AV

## Samsung 5.5 cu. ft. Extra-Large Capacity Smart Top Load Washer with Auto Dispense System

# SAMSUNG

### Dimensions

Required dimensions  
for installation:

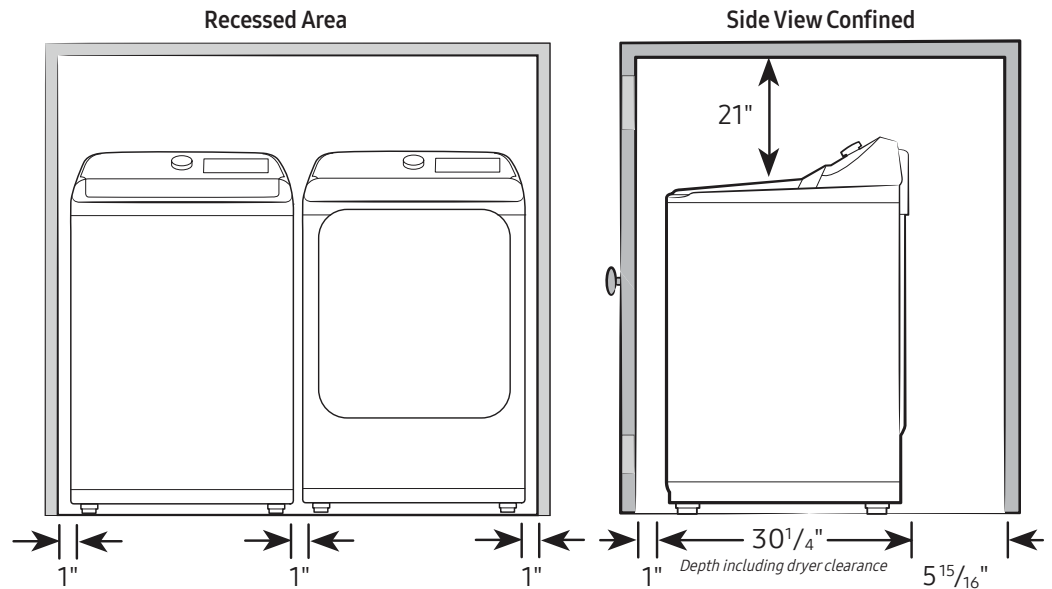


### Installation Specifications – Side-by-Side

If the washer and dryer are installed together or the dryer alone, the closet front must have two unobstructed air openings for a combined minimum total area of 72-inch<sup>2</sup>. Your washer alone does not require a specific air opening.

#### Alcove or closet installation

Minimum clearance for  
closet and alcove installations:

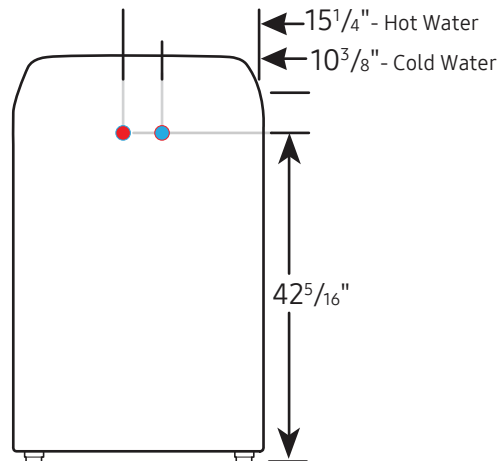


### Connection Dimensions

Back view of washer

#### LEGEND:

- Hot Water Connection
- Cold Water Connection



Actual color may vary. Design, specifications,  
and color availability are subject to change without  
notice. Non-metric weights and measurements are  
approximate.

©2022 Samsung Electronics America, Inc.,  
85 Challenger Road, Ridgefield Park, NJ 07660.  
Tel: 800-SAMSUNG.samsung.com. Samsung is a  
registered trademark of Samsung Electronics Co., Ltd.