



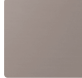
WA52A5500AW | WA52A5500AV | WA52A5500AC

SAMSUNG

Samsung 5.2 cu. ft. Large Capacity Smart Top Load Washer with Super Speed Wash



Available Colors

-  **White**
WA52A5500AW
-  **Brushed Black**
WA52A5500AV
-  **Champagne**
WA52A5500AC


Features

- Large 5.2 cu. ft. Capacity
- Super Speed Wash
- Wi-Fi Connectivity*
- Active WaterJet
- EZ Access Tub
- Deep Fill
- Smart Care
- Vibration Reduction Technology+
- Swirl+ Tub Interior
- Self Clean
- Soft-Close Lid
- ENERGY STAR® Certified
- Accessibility (AUI, Braille)
- 750 RPM Maximum Spin Speed
- Direct Drive Motor
- 17 Total Washing Cycles
- 10 Additional Washing Options

Convenience

- Child Lock
- Dispenser Trays: Main Wash, Softener, Bleach

Ratings

 ENERGY STAR® Rated:
IMEF = 2.06
IWF = 4.3
120 kWh/yr

Electrical Requirements

120 V / 60 Hz
15 Amps

Specifications

12 Preset Washing Cycles:

Normal, Bedding/Waterproof, Heavy Duty, Colors, Whites, Activewear, Delicates, Quick Wash, Self Clean, Rinse + Spin, Deep Wash, Downloaded

5 Downloadable Washing Cycles:

Permanent Press, Wool, Eco Cold, Denim, Power Rinse

10 Additional Washing Options:

Delay End, Presoak, Sound On/Off, Child Lock, Fabric Softener, Deep Fill, Super Speed, Smart Care, Smart Control, Spin Only

5 Temperature Settings:

Hot, Warmer, Warm, Cool, Cold

5 Spin Settings:

High, Medium High, Medium, Low, No Spin

5 Soil Settings:

Heavy, Heavy Medium, Normal, Low Medium, Light

Warranty

One (1) Year Parts and Labor
Three (3) Years Stainless Tub Part (Part Only)
Washing DIT (Digital Inverter Motor) Motor Part (Part Only):
Ten (10) Years
Twenty (20) Years Limited to "U.S.-Assembled" Washers Only

Product Dimensions & Weight (WxHxD)

Dimensions: 27⁹/₁₆" x 44¹¹/₁₆" x 29⁷/₁₆"
Weight: 134.5 lbs

Shipping Dimensions & Weight (WxHxD)

Dimensions: 30¹/₈" x 47¹¹/₁₆" x 31¹/₄"
Weight: 143.3 lbs

Washer	Model #	UPC Code
White	WA52A5500AW	887276552873
Brushed Black	WA52A5500AV	887276552866
Champagne	WA52A5500AC	887276573090

Matching Electric Dryer

White	DVE52A5500W	887276557748
Brushed Black	DVE52A5500V	887276557731
Champagne	DVE52A5500C	887276557724

Matching Gas Dryer

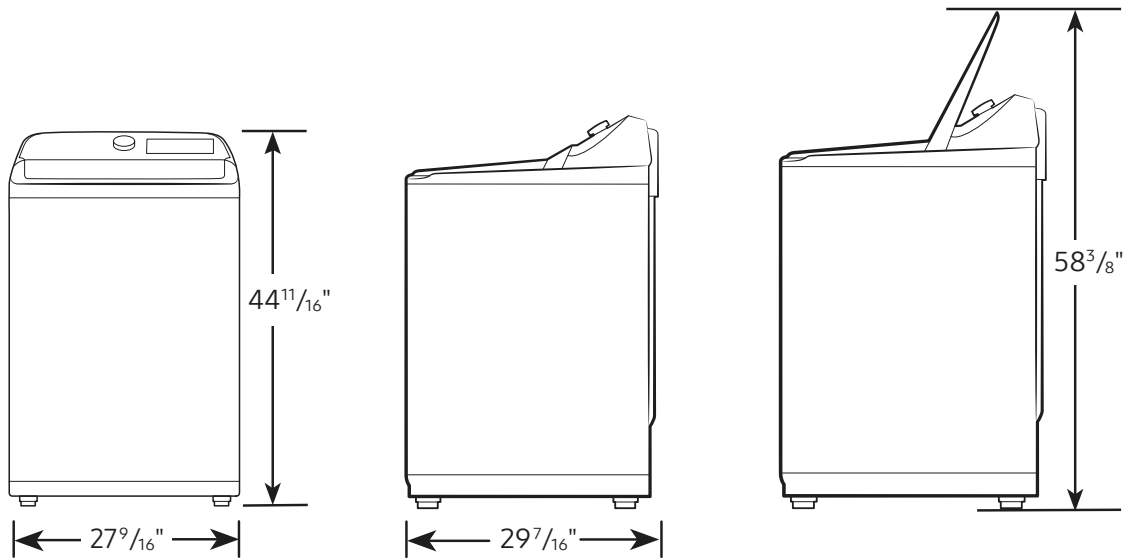
White	DVG52A5500W	887276557816
Brushed Black	DVG52A5500V	887276557809
Champagne	DVG52A5500C	887276557793

*Requires wireless network, Samsung account and Samsung SmartThings App. The Samsung Smart Things App supports Android OS 4.0 (ICS) or later which is optimized for Samsung smartphones (Galaxy S and Galaxy Note series). This app also supports iOS 7 or later for iPhone models. Samsung SmartThings App available in App Store and Play Store.

Samsung 5.2 cu. ft. Large Capacity Smart Top Load Washer with Super Speed Wash

Dimensions

Required dimensions for installation:

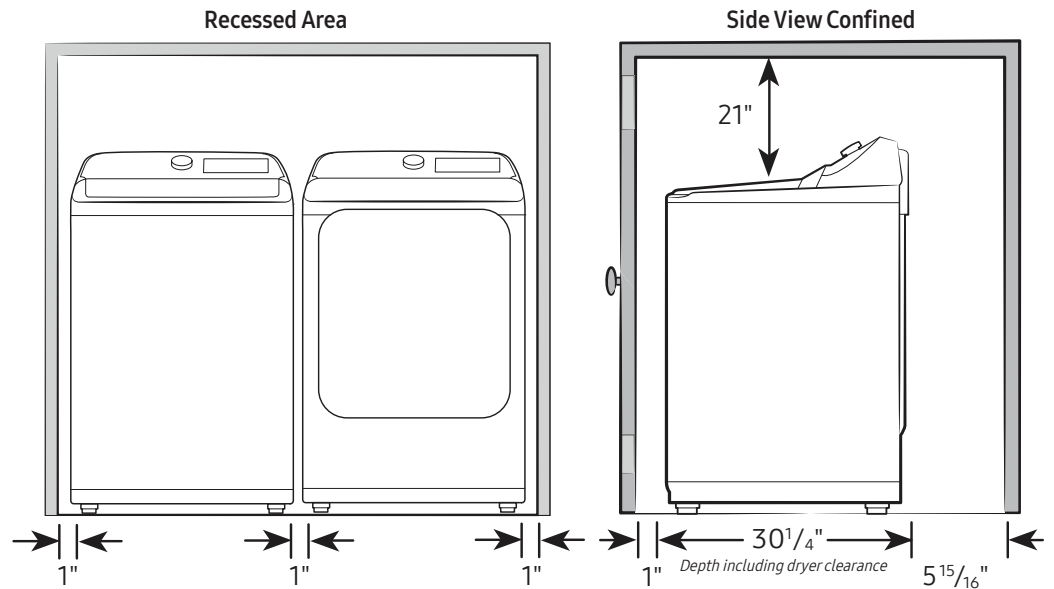


Installation Specifications – Side-by-Side

If the washer and dryer are installed together or the dryer alone, the closet front must have two unobstructed air openings for a combined minimum total area of 72-inch². Your washer alone does not require a specific air opening.

Alcove or closet installation

Minimum clearance for closet and alcove installations:

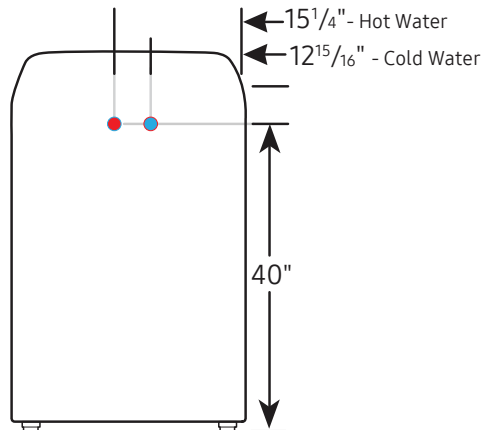


Connection Dimensions

Back view of washer

LEGEND:

- Hot Water Connection
- Cold Water Connection



Actual color may vary. Design, specifications, and color availability are subject to change without notice. Non-metric weights and measurements are approximate.