

SAMSUNG

Product Guide

8500 Series Laundry

Available in Brushed Black



Table of Contents

WF50A8500AV - Front Load Washer

Product Overview

Product Overview 4

Carousel Image Order 5

Product Messaging

Features and Benefits 7

Product Specs

Related Products and Accessories 13

Spec Sheet 14

Energy Guide 15

User Manual and Warranty 16

Feature Icons 18

DVE50A8500V - Electric Dryer

DVG50A8500V - Gas Dryer

Product Overview

Product Overview 20

Carousel Image Order 21

Product Messaging

Features and Benefits 23

Product Specs

Related Products and Accessories 29

Spec Sheets 30

User Manual and Warranty 32

Feature Icons 34

Product Overview

WF50A8500AV

**5.0 cu. ft. Extra-Large Capacity Smart Front Load
Washer with Super Speed Wash**

Product Overview

Product Title

5.0 cu. ft. Extra-Large Capacity Smart Front Load Washer with Super Speed Wash

Product Short Description (180 Characters)

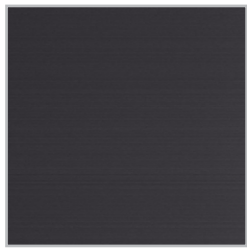
Samsung's new 5.0 cu. ft. Extra-Large Capacity Front Load Washer helps you fit more in every load and with Super Speed Wash, you can wash a full load of laundry in just 30 minutes.*

Product Long Description (280 Characters)

Samsung's new 5.0 cu. ft. Extra-Large Capacity Front Load Washer helps you fit more in every load and cut down on laundry time, leaving more time for you. Also, with Super Speed Wash, you can wash a full load of laundry in just 30 minutes* without sacrificing cleaning performance.

*Based on using Super Speed cycle with an 8lb load.

Available Color



Brushed Black

Model Number: WF50A8500AV

UPC: 887276540726



Carousel Image Order

Easy Ads links

Retail.com: <https://dam.gettyimages.com/p/z0c3461/external?o=AND&q=WF50A8500AV%20Carousel%20Images%20RCOM>
 Samsung.com: <https://dam.gettyimages.com/p/z0c3461/external?o=AND&q=WF50R8500AV%20Carousel%20Images%20SCOM>
 360 Spin: <https://dam.gettyimages.com/p/z0c3461/external?o=AND&q=WF50A8500AV%20360%20Spins>





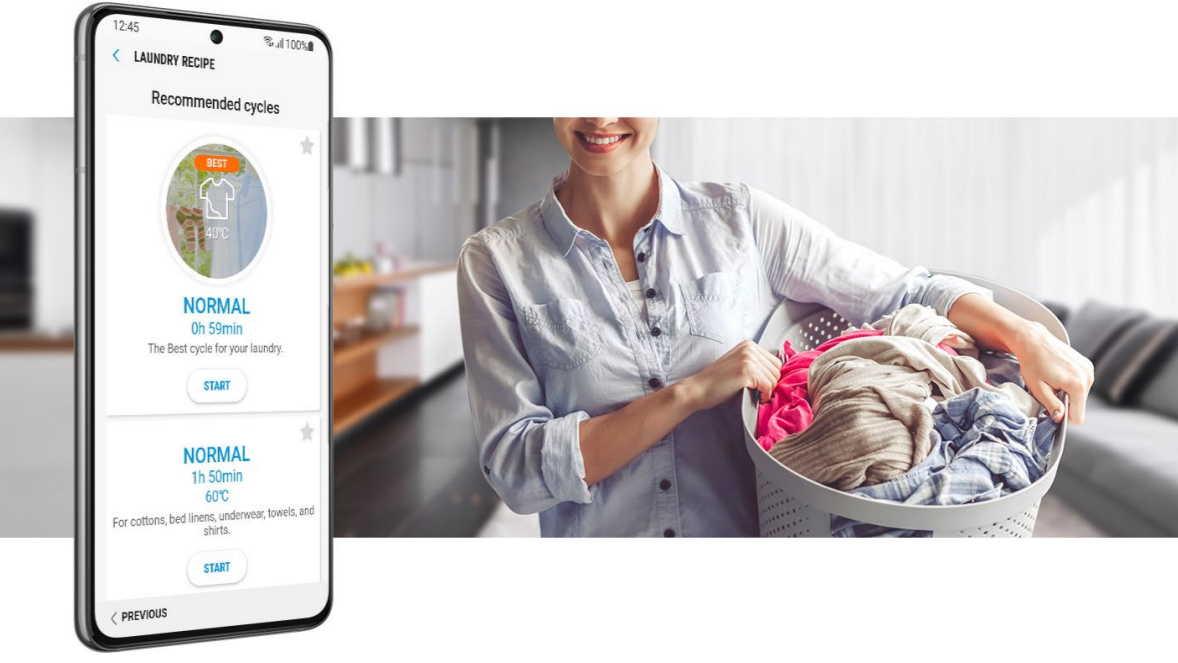
Product Messaging

WF50A8500AV

**5.0 cu. ft. Extra-Large Capacity Smart Front Load
Washer with Super Speed Wash**


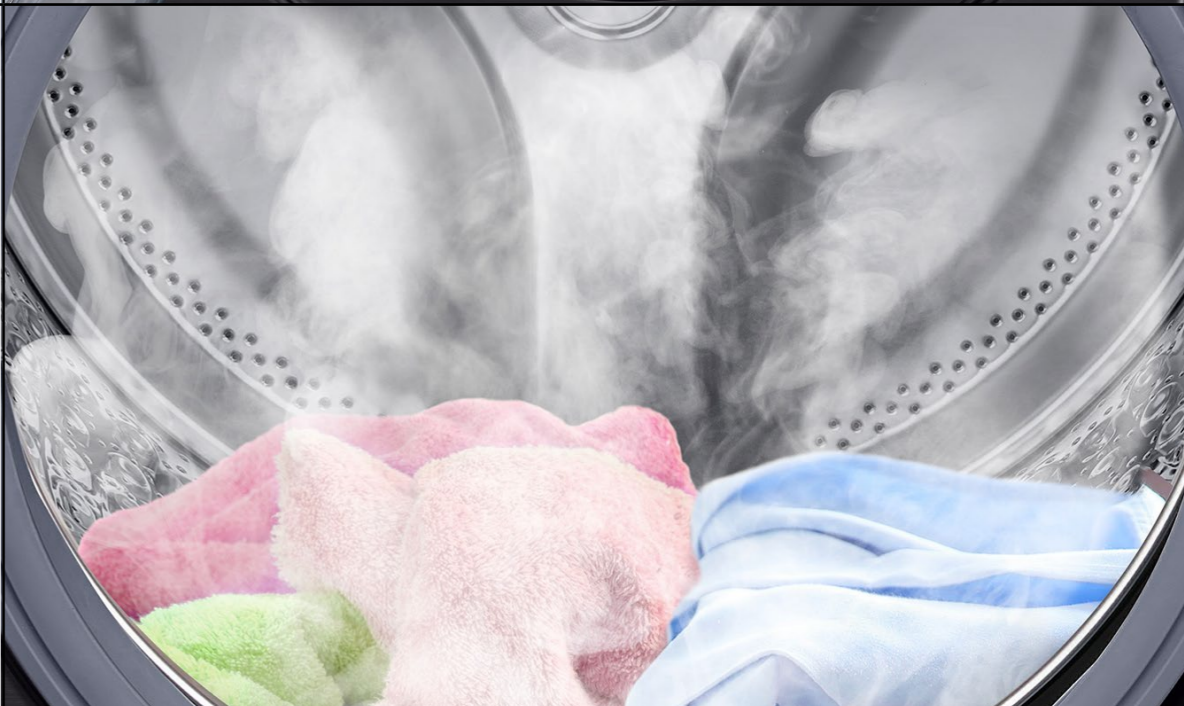

Features and Benefits: WF50A8500AV

Brushed Black Washer Easy Ads link: <https://dam.gettyimages.com/p/z0c3461/external?o=AND&q=WF50A8500AV%20Below%20The%20Fold>

Headline	Feature Name	Long Body Copy	Short Body Copy	Associated Image
<p>Fit more for fewer loads</p>	<p>Extra-Large 5.0 cu. ft. Capacity</p>	<p>Fewer loads, less time in the laundry room, and more time doing the things you love.</p>	<p>Fewer loads, less time in the laundry room.</p>	
<p>Wash a full load in 30 minutes</p>	<p>Super Speed Wash</p>	<p>Wash a full load of laundry in just 30 minutes,* without sacrificing cleaning performance. *Based on using Super Speed cycle with an 8lb load.</p>	<p>Fast, thorough washing in just 30 minutes.* *Based on using Super Speed cycle with an 8lb load.</p>	
<p>Control in the palm of your hand</p>	<p>Wi-Fi Connectivity</p>	<p>Wi-Fi connected so you can receive end of cycle alerts, remotely start or stop your wash, schedule cycles on your time, and more, right from your smartphone with the SmartThings App.* *Requires wireless network, Samsung account and SmartThings App. The Samsung SmartThings App supports Android OS 4.0 (ICS) or later which is optimized for Samsung smartphones (Galaxy S and Galaxy Note series). This app also supports iOS 7 or later for iPhone models. SmartThings App available in App Store and Play Store.</p>	<p>Receive end of cycle alerts, remotely start, schedule, and more, from your smartphone with the SmartThings App.* *Requires wireless network, Samsung account and SmartThings App. The Samsung SmartThings App supports Android OS 4.0 (ICS) or later which is optimized for Samsung smartphones (Galaxy S and Galaxy Note series). This app also supports iOS 7 or later for iPhone models. SmartThings App available in App Store and Play Store.</p>	




Features and Benefits: WF50A8500AV (Continued)

Brushed Black Washer Easy Ads link: <https://dam.gettyimages.com/p/z0c3461/external?o=AND&q=WF50A8500AV%20Below%20The%20Fold>

Headline	Feature Name	Long Body Copy	Short Body Copy	Associated Image
<p>A cleaner washer drum</p>	<p>Antimicrobial Technology</p>	<p>Treated with Antimicrobial Technology to help keep the drum smelling fresh.*</p> <p><small>*Antimicrobial treatment does not protect users or other items against bacteria, viruses, germs, or other disease organisms.</small></p>	<p>Keep your drum smelling fresh with Antimicrobial Technology.*</p> <p><small>*Antimicrobial treatment does not protect users or other items against bacteria, viruses, germs, or other disease organisms.</small></p>	
<p>Gently remove stains</p>	<p>Steam</p>	<p>The power of steam lets you gently remove stains without any time-consuming pretreatments. Steam is released from the drum so every item in the load is thoroughly saturated, ensuring a deep clean.</p>	<p>The power of steam lets you gently remove stains without any time-consuming pretreatments.</p>	
<p>Quiet washing anytime, any place</p>	<p>Vibration Reduction Technology+</p>	<p>Do your laundry without disturbing anyone at any time and in any place. Innovative Vibration Reduction Technology+ reduces noise and vibration for quiet washing.</p>	<p>Reduces noise and vibration for quiet washing.</p>	




Features and Benefits: WF50A8500AV (Continued)

Brushed Black Washer Easy Ads link: <https://dam.gettyimages.com/p/z0c3461/external?o=AND&q=WF50A8500AV%20Below%20The%20Fold>


Headline	Feature Name	Long Body Copy	Short Body Copy	Associated Image
N/A	Swirl+ Drum Interior	Improved drum pattern extracts more water more quickly during the rinsing cycle and prevents fabrics from snagging during washing.	Improved drum pattern extracts more water more quickly.	
Keep your washer fresh and clean	Self Clean+	Keep your washer drum fresh and clean. Self Clean+ will notify you every 40 wash cycles when it is time for a cleaning.	Keep your washer drum fresh and clean.	
N/A	ENERGY STAR® Most Efficient	Our washers are recognized by the EPA in delivering cutting-edge energy efficiency, along with the latest in technological innovation.* <small>*Visit www.energystar.gov for more information on ENERGY STAR® guidelines.</small>	Recognition for delivering cutting-edge energy efficiency and innovation.* <small>*Visit www.energystar.gov for more information on ENERGY STAR® guidelines.</small>	

Features and Benefits: WF50A8500AV (Continued)

Brushed Black Washer Easy Ads link: <https://dam.gettyimages.com/p/z0c3461/external?o=AND&q=WF50A8500AV%20Below%20The%20Fold>

Headline	Feature Name	Long Body Copy	Short Body Copy	Associated Image
<p>Easy to troubleshoot</p>	<p>Smart Care</p>	<p>Easy troubleshooting from the convenience of your smartphone.* Smart Care interacts with your washer and dryer to perform an immediate diagnosis and offer quick solutions.</p> <p>*Requires Samsung Smart Washer/Dryer App. The Samsung Smart Washer/Dryer App supports Android OS 2.3.6 or later and iOS 3 or later for iPhone models. Samsung Smart Washer/Dryer App available in App Store and Play Store.</p>	<p>Easy troubleshooting from the convenience of your smartphone.*</p> <p>*Requires Samsung Smart Washer/Dryer App. The Samsung Smart Washer/Dryer App supports Android OS 2.3.6 or later and iOS 3 or later for iPhone models. Samsung Smart Washer/Dryer App available in App Store and Play Store.</p>	
<p>N/A</p>	<p>Interior Drum Light</p>	<p>Put an end to stray socks or smaller laundry items that are hard to spot. An interior drum light brightly illuminates your laundry and the rest of the interior, so you can quickly and safely check your washer's contents.</p>	<p>Put an end to stray socks or smaller laundry items that are hard to spot.</p>	
<p>Easier use, for everyone</p>	<p>Accessibility (ADA Compliant, AUI, Braille)</p>	<p>With use of a Samsung Riser,* your washer or dryer is compliant with the Americans with Disabilities Act (ADA), making loading and unloading much easier. Also aiding the visually and hearing impaired, audio assistance plays a different sound for each option, and Braille is featured next to key control panel buttons.</p> <p>*ADA Compliant when using 27" wide riser. (Riser model codes: WE272NV, WE272NW, WE272NC)</p>	<p>ADA Compliant with use of a Samsung Riser,* and also features Braille and audio assistance for the hearing and visually impaired.</p> <p>*ADA Compliant when using 27" wide riser. (Riser model codes: WE272NV, WE272NW, WE272NC)</p>	

**Features and Benefits:
WF50A8500AV (Continued)**Brushed Black Washer Easy Ads link: <https://dam.gettyimages.com/p/z0c3461/external?o=AND&q=WF50A8500AV%20Below%20The%20Fold>

Headline	Feature Name	Long Body Copy	Short Body Copy	Associated Image
Perfect pair	Matching Accessories	Round out your laundry setup with a matching dryer, pedestal, riser, and more.	N/A	

Product Specs

WF50A8500AV

**5.0 cu. ft. Extra-Large Capacity Smart Front Load
Washer with Super Speed Wash**

Related Products and Accessories

Dryer Series	Pedestal	Riser	Stacking Kit
DVE50A8500V DVG50A8500V	WE402NV	WE272NV	SKK-8K

Spec Sheet

Easy Ads link

<https://dam.gettyimages.com/p/z0c3461/external?o=AND&q=WF50A8500AV%20Spec%20Sheet>

WF50A8500AV
Samsung 5.0 cu. ft. Extra-Large Capacity Smart Front Load Washer with Super Speed Wash



Available Color
 Brushed Black
WF50A8500AV

Features

- Extra-Large 5.0 cu. ft. Capacity
- Super Speed Wash
- Wi-Fi Connectivity¹
- Antimicrobial Technology
- Steam
- Vibration Reduction Technology²
- Swift+ Drum Interior
- Self Clean+
- ENERGY STAR[®] Most Efficient
- Interior Drum Light
- ADA Compliant³
- Accessibility (AUI, Braille)
- Stackable
- Internal Water Heater
- 1300 RPM Maximum Spin Speed
- Direct Drive Motor
- 23 Total Washing Cycles
- 9 Additional Options

Specifications

12 Preset Washing Cycles:
Normal, Heavy Duty, Bedding, Quick Wash, Delicates, Towels, Rinse + Spin, Self Clean+, Steam Sanitize, Steam Normal, Steam Whites, Downloads

11 Downloadable Washing Cycles:
Permanent Press, Wool, Eco Cold, Colors, Spin Only, Outdoor, Denim, Steam Allergen, Power Steam, Steam Bulky, Power Rinse

9 Additional Washing Options:
Pre Soak, Delay End, Smart Control, Super Speed, Drum Light, Child Lock, Smart Care, Sound, Spin Only

5 Spin Settings:
High, Medium High, Medium, Low, No Spin

5 Soil Settings:
Heavy, Heavy Medium, Normal, Low Medium, Light

Warranty
One (1) Year Parts and Labor
Three (3) Years Stainless Steel Drum (Part Only)
Ten (10) Years DD Motor (Part Only)

Product Dimensions & Weight (WxHxD)
Dimensions: 27" x 38 1/2" x 33 1/2"
Weight: 213.8 lbs

Shipping Dimensions & Weight (WxHxD)
Dimensions: 29 1/8" x 42 3/8" x 35 3/4"
Weight: 218.3 lbs

Convenience

- Child Lock
- Dispenser Trays: Main Wash, Softener, Bleach

Ratings

CEE Tier 2
IMEF = 2.92
IWF = 2.9
100 kWh/yr

Electrical Requirements
120 V / 60 Hz
15 Amps

¹Requires wireless network, Samsung account and Samsung SmartThings App. The Samsung Smart Things App supports Android OS 4.0 (ICS) or later which is optimized for Samsung smartphones (Galaxy S and Galaxy Note series). This app also supports iOS 7 or later for iPhone models. Samsung SmartThings App available in App Store and Play Store.
²ADA Compliant when using 27" wide riser. (Riser model codes: WE272NV, WE272NW, WE272NC)

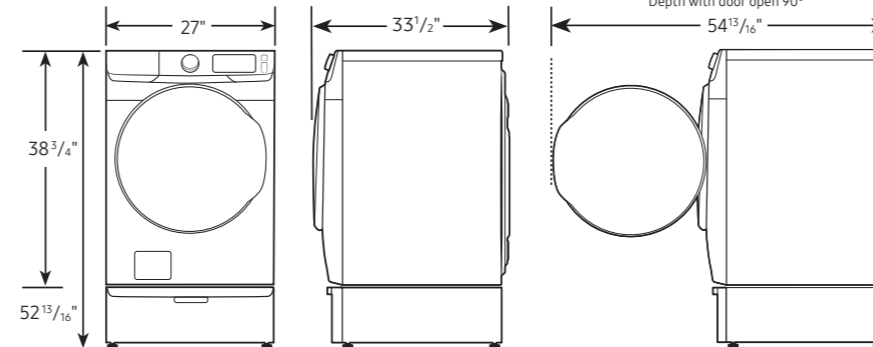
Washer	Model #	UPC Code	Optional Accessories	Model #	UPC Code
Brushed Black	WF50A8500AV	887276540726	Brushed Black Pedestal	WE402NV	887276310145
Matching Electric Dryer	DVE50A8500V	887276197630	Brushed Black Riser	WE272NV	887276197630
Brushed Black	DVE50A8500V	887276549569	Stacking Kit	SKK-8K	887276344034
Matching Gas Dryer	DVG50A8500V	887276549576			
Brushed Black	DVG50A8500V	887276549576			

SAMSUNG

Washer Spec Sheet - page 1

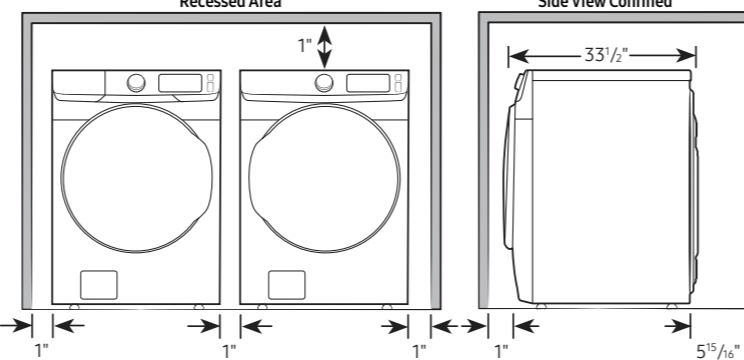
WF50A8500AV
Samsung 5.0 cu. ft. Extra-Large Capacity Smart Front Load Washer with Super Speed Wash

Dimensions
Required dimensions for installation with pedestal:

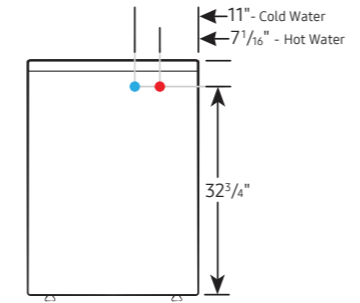


Installation Specifications – Side-by-Side
If the washer and dryer are installed together or the dryer alone, the closet front must have two unobstructed air openings for a combined minimum total area of 72-inch². Your washer alone does not require a specific air opening.

Alcove or closet installation
Minimum clearance for closet and alcove installations:



Connection Dimensions
Back view of washer



LEGEND:
● Cold Water Connection
● Hot Water Connection
● Gas Connection

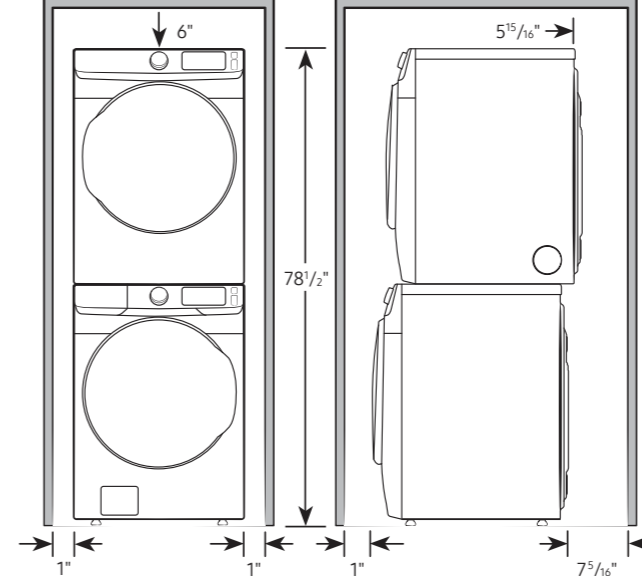
Actual color may vary. Design, specifications, and color availability are subject to change without notice. Non-metric weights and measurements are approximate.
 ©2021 Samsung Electronics America, Inc.
 85 Challenger Road, Ridgefield Park, NJ 07660.
 Tel: 800-SAMSUNG, samsung.com. Samsung is a registered trademark of Samsung Electronics Co., Ltd.

SAMSUNG

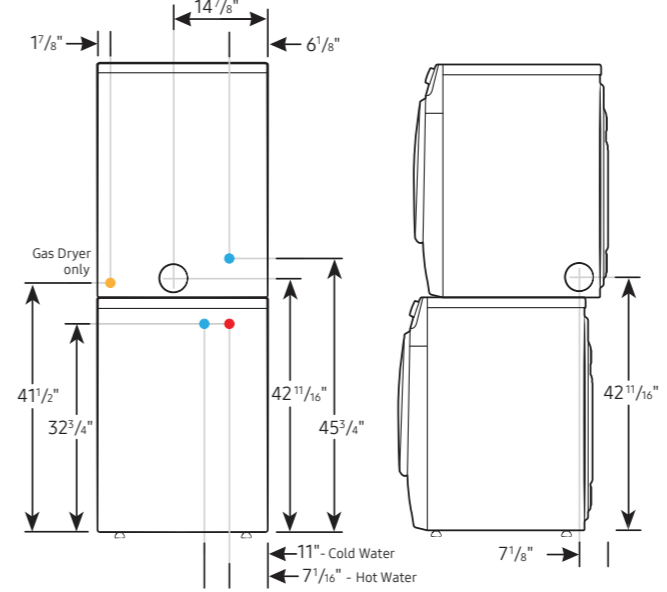
Washer Spec Sheet - page 2

WF50A8500AV
Samsung 5.0 cu. ft. Extra-Large Capacity Smart Front Load Washer with Super Speed Wash

Installation Specifications – Stacked Pair
Clearances indicated are for stacked pairs. The closet front must have two unobstructed air openings for a combined minimum total area of 72-inch².



Connection Dimensions
Back and side views of stacked pair



LEGEND:
● Cold Water Connection
● Hot Water Connection
● Gas Connection

Actual color may vary. Design, specifications, and color availability are subject to change without notice. Non-metric weights and measurements are approximate.
 ©2021 Samsung Electronics America, Inc.
 85 Challenger Road, Ridgefield Park, NJ 07660.
 Tel: 800-SAMSUNG, samsung.com. Samsung is a registered trademark of Samsung Electronics Co., Ltd.

SAMSUNG

Washer Spec Sheet - page 3

Energy Guide

Easy Ads link

<https://dam.gettyimages.com/p/z0c3461/external?o=AND&q=WF50A8500AV%20Energy%20Guide>

U.S. Government Federal law prohibits removal of this label before consumer purchase.

ENERGYGUIDE

Clothes Washer Capacity Class: Standard Samsung Model WF50A85**A* Capacity (tub volume): 5.0 cubic feet

Compare ONLY to other labels with yellow numbers.
Labels with yellow numbers are based on the same test procedures.

Estimated Yearly Energy Cost
(when used with an electric water heater)

\$13


\$8 Cost Range of Similar Models \$51

110 kWh
Estimated Yearly Electricity Use

\$12
Estimated Yearly Energy Cost
(when used with a natural gas water heater)

- Your cost will depend on your utility rates and use.
- Cost range based only on standard capacity models.
- Estimated energy cost based on six wash loads a week and a national average electricity cost of 12 cents per kWh and natural gas cost of \$1.09 per therm.

ftc.gov/energy

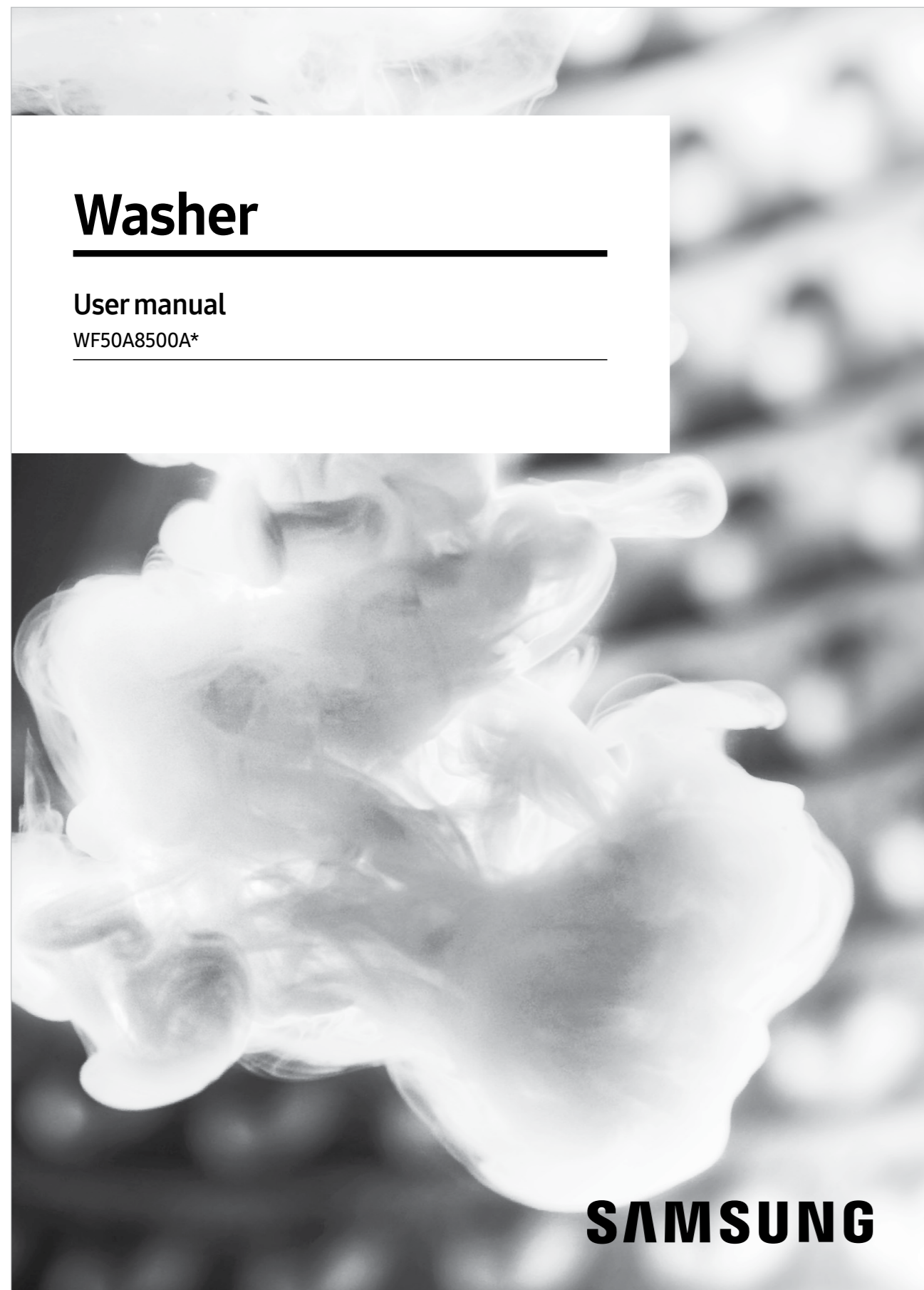


Energy Guide

User Manual and Warranty

Easy Ads link

<https://dam.gettyimages.com/p/z0c3461/external?o=AND&q=WF50A8500AV%20User%20Manual>



User Manual

Easy Ads link

<https://dam.gettyimages.com/p/z0c3461/external?o=AND&q=WF50A8500AV%20Warranty>

Warranty (U.S.A) – SAMSUNG FRONT LOAD WASHER

Models:
WF50A8500AV

LIMITED WARRANTY TO ORIGINAL PURCHASER WITH PROOF OF PURCHASE

This SAMSUNG brand product, as supplied and distributed by SAMSUNG ELECTRONICS AMERICA INC. (SAMSUNG) and delivered new, in the original carton to the original consumer purchaser, is warranted by SAMSUNG against manufacturing defects in materials or workmanship for the limited warranty period, starting from the date of original purchase, of:

One (1) Year Parts and Labor
Three (3) years stainless tub part (Part Only),
Ten (10) years washing DD motor part (Part Only)

This limited warranty is valid only on products purchased and used in the United States that have been installed, operated, and maintained according to the instructions attached to or furnished with the product. To receive warranty service, the purchaser must contact SAMSUNG at the address or phone number provided below for problem determination and service procedures. Warranty service can only be performed by a SAMSUNG authorized service center. The original dated bill of sale must be presented upon request as proof of purchase to SAMSUNG or SAMSUNG's authorized service center to receive warranty service.

SAMSUNG will provide in-home service within the contiguous United States during the warranty period at no charge, subject to availability of SAMSUNG authorized servicers within the customer's geographic area. If in-home service is not available, SAMSUNG may elect, at its option, to provide transportation of the product to and from an authorized service center. If the product is located in an area where service by a SAMSUNG authorized servicer is not available, you may be responsible for a trip charge or required to bring the product to a SAMSUNG authorized service center for service.

To receive in-home service, product must be unobstructed and accessible to the service agent.

During the applicable warranty period, a product will be repaired, replaced, or the purchase price refunded, at the sole option of SAMSUNG. SAMSUNG may use new or reconditioned parts in repairing a product, or replace the product with a new or reconditioned product. Replacement parts and products are warranted for the remaining portion of the original product's warranty or ninety (90) days, whichever is longer. All replaced parts and products are the property of SAMSUNG and you must return them to SAMSUNG.

This limited warranty covers manufacturing defects in materials or workmanship encountered in normal household, noncommercial use of this product and shall not cover the following: damage that occurs in shipment, delivery, installation, and uses for which this product was not intended; damage caused by unauthorized modification or alteration of the product; product where the original factory serial numbers have been removed, defaced, changed in any way, or cannot be readily determined; cosmetic damage including scratches, dents, chips, and other damage to the product's finishes; damage caused by abuse, misuse, pest infestations, accident, fire, floods, or other acts of nature or God; damage caused by use of equipment, utilities, services, parts, supplies, accessories, applications, installations, repairs, external wiring or connectors not supplied or authorized by SAMSUNG; damage caused by incorrect electrical line current, voltage, fluctuations and surges; damage caused by failure to operate and maintain the product according to instructions; in-home instruction on how to use your product; and service to correct installation not in accordance with electrical or plumbing codes or correction of household electrical

Warranty

Feature Icons

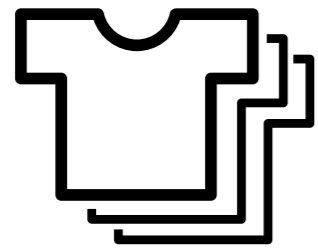
WF50A8500AV

**5.0 cu. ft. Extra-Large Capacity Smart Front Load
Washer with Super Speed Wash**

Feature Icons

Easy Ads link

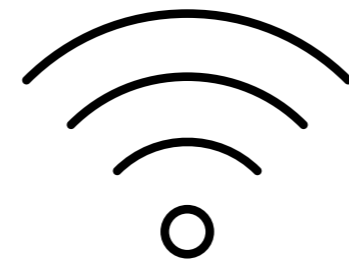
<https://dam.gettyimages.com/p/z0c3461/external?o=AND&q=WF50A8500AV%20Icons>



Extra-Large 5.0
cu. ft. Capacity



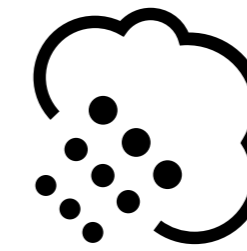
Super Speed Wash



Wi-Fi Connectivity



Antimicrobial Technology



Steam



Vibration Reduction
Technology+

Product Overview

DVE50A8500V / DVG50A8500V

7.5 cu. ft. Smart Electric Dryer with Steam Sanitize+
7.5 cu. ft. Smart Gas Dryer with Steam Sanitize+

Product Overview

Product Titles

DVE50A8500V - 7.5 cu. ft. Smart Electric Dryer with Steam Sanitize+

DVG50A8500V - 7.5 cu. ft. Smart Gas Dryer with Steam Sanitize+

Product Short Description (205 Characters)

Samsung's new 7.5 cu. ft. dryer allows you to remotely start or stop your cycle, schedule laundry on your time, and more, right from your smartphone.* Steam Sanitize+ eliminates 99.9% of germs and bacteria.**

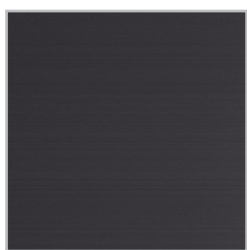
Product Long Description (318 Characters)

Samsung's new 7.5 cu. ft. dryer allows you to remotely start or stop your cycle, schedule laundry on your time, receive end of cycle alerts, and more, right from your smartphone.* Steam Sanitize+ eliminates 99.9% of germs and bacteria,** while Multi-Steam™ technology relaxes and smooths away wrinkles from everyday wear.

*Requires wireless network, Samsung account and SmartThings App. The Samsung SmartThings App supports Android OS 4.0 (ICS) or later which is optimized for Samsung smartphones (Galaxy S and Galaxy Note series). This app also supports iOS 7 or later for iPhone models. SmartThings App available in App Store and Play Store.

**Based on internal testing and independently verified by Intertek. Individual results may vary.

Available Color



Brushed Black

Electric Dryer Model Number: DVE50A8500V

Electric Dryer UPC: 887276549569

Gas Dryer Model Number: DVG50A8500V

Gas Dryer UPC: 887276549576



Carousel Image Order

DVE50A8500V / DVG50A8500V

Easy Ads links

Retail.com: <https://dam.gettyimages.com/p/z0c3461/external?o=AND&q=DVE50A8500V%20Carousel%20Images%20RCOM>

Samsung.com: <https://dam.gettyimages.com/p/z0c3461/external?o=AND&q=DVE50A8500V%20Carousel%20Images%20SCOM>

360 Spin: <https://dam.gettyimages.com/p/z0c3461/external?o=AND&q=DVE50R8500V%20360%20Spins>



Product Messaging

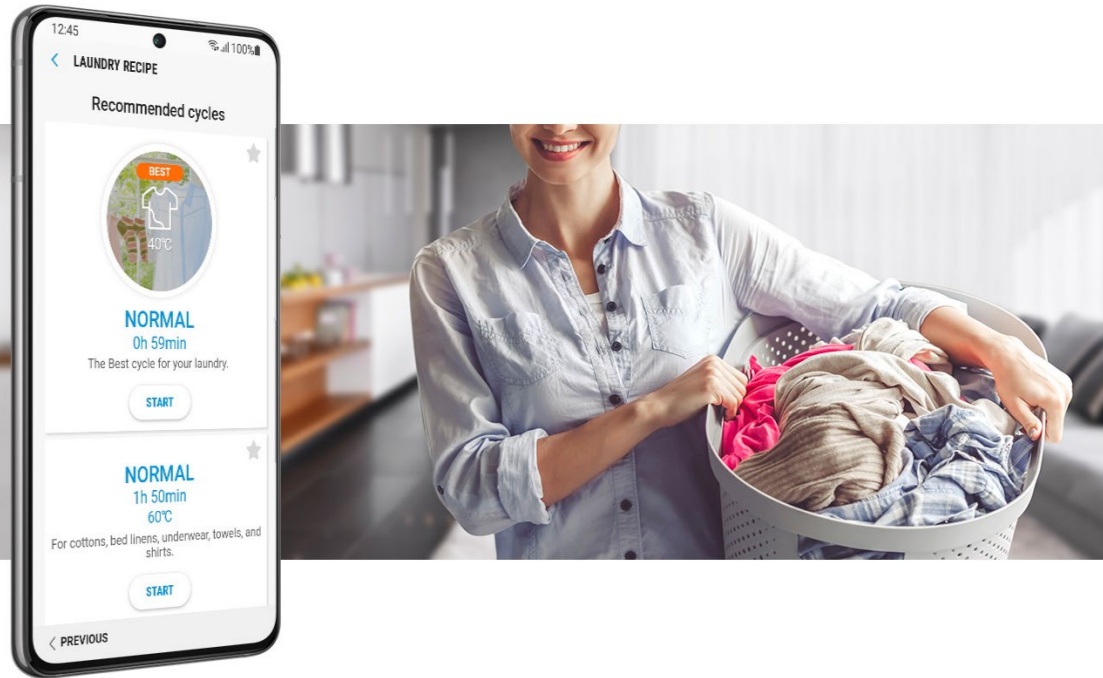


DVE50A8500V / DVG50A8500V

7.5 cu. ft. Smart Electric Dryer with Steam Sanitize+

7.5 cu. ft. Smart Gas Dryer with Steam Sanitize+




Features and Benefits: DVE(G)50A8500V

Brushed Black Dryer Easy Ads link: [https://dam.gettyimages.com/p/z0c3461/external?o=AND&q=DVE\(G\)50A8500V%20Below%20The%20Fold](https://dam.gettyimages.com/p/z0c3461/external?o=AND&q=DVE(G)50A8500V%20Below%20The%20Fold)

Headline	Feature Name	Long Body Copy	Short Body Copy	Associated Image
<p>Control in the palm of your hand</p>	<p>Wi-Fi Connectivity</p>	<p>Wi-Fi connected so you can receive end of cycle alerts, remotely start or stop your drying, schedule cycles on your time, and more, right from your smartphone with the SmartThings App.*</p> <p><small>*Requires wireless network, Samsung account and SmartThings App. The Samsung SmartThings App supports Android OS 4.0 (ICS) or later which is optimized for Samsung smartphones (Galaxy S and Galaxy Note series). This app also supports iOS 7 or later for iPhone models. SmartThings App available in App Store and Play Store.</small></p>	<p>Receive end of cycle alerts, remotely start, schedule, and more, from your smartphone with the SmartThings App.*</p> <p><small>*Requires wireless network, Samsung account and SmartThings App. The Samsung SmartThings app supports Android OS 4.0 (ICS) or later which is optimized for Samsung smartphones (Galaxy S and Galaxy Note series). This app also supports iOS 7 or later for iPhone models. SmartThings App available in App Store and Play Store.</small></p>	
<p>Freshen up clothes</p>	<p>Steam Sanitize+</p>	<p>The Steam Sanitize+ cycle removes 99.9% of germs and bacteria, over 95% of pollen, and kills 100% of dust mites.* Multi-Steam™ technology steams away wrinkles, odors, and static.</p> <p><small>*Based on internal testing and independently verified by Intertek.</small></p>	<p>Steams away 99.9% of germs and bacteria,* while also reducing wrinkles and odors.</p> <p><small>*Based on internal testing and independently verified by Intertek.</small></p>	
<p>N/A</p>	<p>ENERGY STAR® Certified</p>	<p>ENERGY STAR® Certified,* so you can save money by using less energy without sacrificing performance or functionality.</p> <p><small>*Visit www.energystar.gov for more information on ENERGY STAR® guidelines.</small></p>	<p>Eco-friendly and energy-efficient.</p>	




Features and Benefits: DVE(G)50A8500V (Continued)

Brushed Black Dryer Easy Ads link: [https://dam.gettyimages.com/p/z0c3461/external?o=AND&q=DVE\(G\)50A8500V%20Below%20The%20Fold](https://dam.gettyimages.com/p/z0c3461/external?o=AND&q=DVE(G)50A8500V%20Below%20The%20Fold)

Headline	Feature Name	Long Body Copy	Short Body Copy	Associated Image
<p>Worry-free drying</p>	<p>Sensor Dry</p>	<p>Automatically optimizes the time and temperature of your drying cycle to protect your clothes from heat damage, while avoiding excess energy use.</p>	<p>Helps prevent overdrying for optimal fabric care.</p>	
<p>Cleaner, safer vents</p>	<p>Vent Sensor</p>	<p>Vent Sensor continually monitors the condition of your dryer's air duct to ensure it is operating safely and efficiently. It automatically notifies you when it is time for a cleaning and prompts you to check for obstructions, so you can always maintain optimum drying performance.</p>	<p>Continuously monitors the condition of the air duct to ensure it's operating safely and efficiently.</p>	
<p>Easy to troubleshoot</p>	<p>Smart Care</p>	<p>Easy troubleshooting from the convenience of your smartphone.* Smart Care interacts with your washer and dryer to perform an immediate diagnosis and offer quick solutions.</p> <p><small>*Requires Samsung Smart Washer/Dryer App. The Samsung Smart Washer/Dryer App supports Android OS 2.3.6 or later and iOS 3 or later for iPhone models. Samsung Smart Washer/Dryer App available in App Store and Play Store.</small></p>	<p>Easy troubleshooting from the convenience of your smartphone.*</p> <p><small>*Requires Samsung Smart Washer/Dryer App. The Samsung Smart Washer/Dryer App supports Android OS 2.3.6 or later and iOS 3 or later for iPhone models. Samsung Smart Washer/Dryer App available in App Store and Play Store.</small></p>	




Features and Benefits: DVE(G)50A8500V (Continued)

Brushed Black Dryer Easy Ads link: [https://dam.gettyimages.com/p/z0c3461/external?o=AND&q=DVE\(G\)50A8500V%20Below%20The%20Fold](https://dam.gettyimages.com/p/z0c3461/external?o=AND&q=DVE(G)50A8500V%20Below%20The%20Fold)

Headline	Feature Name	Long Body Copy	Short Body Copy	Associated Image
N/A	Interior Drum Light	Put an end to stray socks or smaller laundry items that are hard to spot. An interior drum light brightly illuminates your laundry and the rest of the interior, so you can quickly and safely check your dryer's contents.	Put an end to stray socks or small items that are hard to spot.	
Flexible opening	Reversible Door	Choose the direction your dryer door opens to better suit your laundry room layout.	Choose the direction your dryer door opens.	
Fit more for fewer loads	Large 7.5 cu. ft. Capacity	Fewer loads, less time in the laundry room, and more time doing the things you love.	Fewer loads, less time in the laundry room.	


Features and Benefits: DVE(G)50A8500V (Continued)

Brushed Black Dryer Easy Ads link: [https://dam.gettyimages.com/p/z0c3461/external?o=AND&q=DVE\(G\)50A8500V%20Below%20The%20Fold](https://dam.gettyimages.com/p/z0c3461/external?o=AND&q=DVE(G)50A8500V%20Below%20The%20Fold)

Headline	Feature Name	Long Body Copy	Short Body Copy	Associated Image
<p>Materials that last</p>	<p>Stainless Steel Drum</p>	<p>Keep the shine on your dryer with a stainless steel surface that prevents nicks and scratches from damaging the interior.</p>	<p>More durable and prevents scratches or nicks from metal zippers.</p>	
<p>Stop the fluff</p>	<p>Lint Filter Indicator</p>	<p>Stop worrying about lint or fluff building up and blocking your dryer's air intake. The Lint Filter Indicator light on the control panel will provide you with a helpful reminder when it is time to clean the filter, so your dryer maintains optimal performance.</p>	<p>The Lint Filter Indicator light lets you know when it is time to clean the filter.</p>	
<p>Easier use, for everyone</p>	<p>Accessibility (ADA Compliant, AUI, Braille)</p>	<p>With use of a Samsung Riser,* your washer or dryer is compliant with the Americans with Disabilities Act (ADA), making loading and unloading much easier. Also aiding the visually and hearing impaired, audio assistance plays a different sound for each option, and Braille is featured next to key control panel buttons.</p> <p><small>*ADA Compliant when using 27" wide riser. (Riser model codes: WE272NV, WE272NW, WE272NC)</small></p>	<p>ADA Compliant with use of a Samsung Riser,* and also features Braille and audio assistance for the hearing and visually impaired.</p> <p><small>*ADA Compliant when using 27" wide riser. (Riser model codes: WE272NV, WE272NW, WE272NC)</small></p>	

**Features and Benefits:
DVE(G)50A8500V (Continued)**

Brushed Black Dryer Easy Ads link: [https://dam.gettyimages.com/p/z0c3461/external?o=AND&q=DVE\(G\)50A8500V%20Below%20The%20Fold](https://dam.gettyimages.com/p/z0c3461/external?o=AND&q=DVE(G)50A8500V%20Below%20The%20Fold)

Headline	Feature Name	Long Body Copy	Short Body Copy	Associated Image
<p>Delicate drying</p>	<p>Drying Rack</p>	<p>Included Drying Rack lets you delicately dry undergarments, sweaters, and accessories.</p>	<p>Lets you delicately dry undergarments, sweaters, and accessories.</p>	

Product Specs

DVE50A8500V / DVG50A8500V

7.5 cu. ft. Smart Electric Dryer with Steam Sanitize+

7.5 cu. ft. Smart Gas Dryer with Steam Sanitize+

Related Products and Accessories

Washer Series	Pedestal	Riser	Stacking Kit	Gas to Propane Converter Kit	Side Vent Kit
WF50A8500AV	WE402NV	WE272NV	SKK-8K	LPKIT-4	DV-2A

Spec Sheet

Easy Ads link

<https://dam.gettyimages.com/p/z0c3461/external?o=AND&q=DVE50A8500V%20Spec%20Sheet>

DVE50A8500V
Samsung 7.5 cu. ft. Smart Electric Dryer with Steam Sanitize+



Available Color
Brushed Black
DVE50A8500V

Features

- Wi-Fi Connectivity¹
- Steam Sanitize+
- ENERGY STAR[®] Certified
- Sensor Dry
- Vent Sensor
- Smart Care
- Interior Drum Light
- Reversible Door
- Large 7.5 cu. ft. Capacity
- Dual Heaters
- Stainless Steel Drum
- Lint Filter Indicator
- ADA Compliant²
- Accessibility (AUI, Braille)
- Drying Rack
- 22 Total Drying Cycles
- 10 Options
- 5 Temperature Settings
- 4-Way Venting

Specifications

12 Preset Drying Cycles:
Refresh, Steam Sanitize+, Normal, Heavy Duty, Permanent Press, Activewear, Bedding, Delicates, Time Dry, Air Fluff, Quick Dry, Downloaded

10 Downloadable Drying Cycles:
Wrinkle Away, Eco Normal, Towels, Wool, Sanitize, Shirts, Denim, Small Load Care, Low Temp, Rack Dry

10 Options:
Mixed Load Bell, Wrinkle Prevent, Smart Control, Adjust Time (Up), Adjust Time (Down), Eco Dry, Sound, Drum Light, Smart Care, Child Lock

5 Temperature Settings:
High, Medium High, Medium, Medium Low, Low

5 Dry Levels:
More Dry, Normal-More Dry, Normal Dry, Normal-Less Dry, Less Dry

Warranty
One (1) Year Parts and Labor

Product Dimensions & Weight (WxHxD)
Dimensions: 27" x 38 1/4" x 31 1/4"
Weight: 123.5 lbs

Shipping Dimensions & Weight (WxHxD)
Dimensions: 29 1/2" x 42 7/16" x 34 7/16"
Weight: 130.1 lbs

Convenience

- Child Lock
- Filter Check Indicator

Ratings
ENERGY STAR[®] Rated:
608 kWh/yr

Electrical Requirements
120 V / 240 V / 60 Hz
30 Amps

Electric Dryer	Model #	UPC Code
Brushed Black	DVE50A8500V	887276549569

Gas Dryer	Model #	UPC Code
Brushed Black	DVG50A8500V	887276549576

Matching Washer	Model #	UPC Code
Brushed Black	WF50A8500AV	887276540726

Optional Accessories

Model #	UPC Code
Brushed Black Pedestal WE402NV	887276310145
Brushed Black Riser WE272NV	887276197630
Stacking Kit SKK-9K	887276344034
Vent Kit DV-2A	887276146416

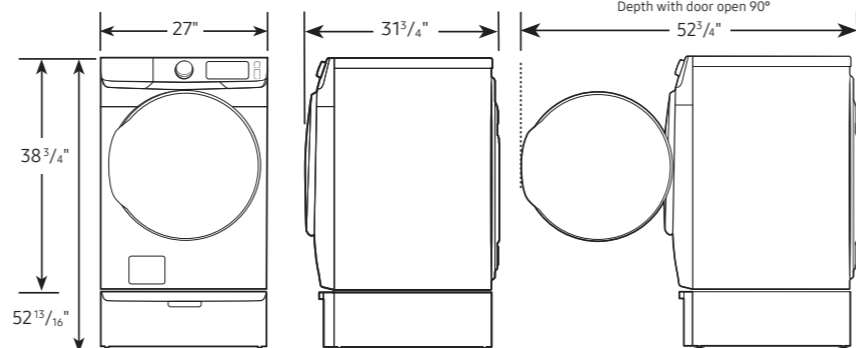
¹Requires wireless network, Samsung account and Samsung SmartThings App. The Samsung Smart Things App supports Android OS 4.0 (ICS) or later which is optimized for Samsung smartphones (Galaxy S and Galaxy Note series). This app also supports iOS 7 or later for iPhone models. Samsung SmartThings App available in App Store and Play Store.
²ADA Compliant when using 27" wide riser. (Riser model codes: WE272NV, WE272NW, WE272NC)

SAMSUNG

Electric Dryer Spec Sheet - page 1

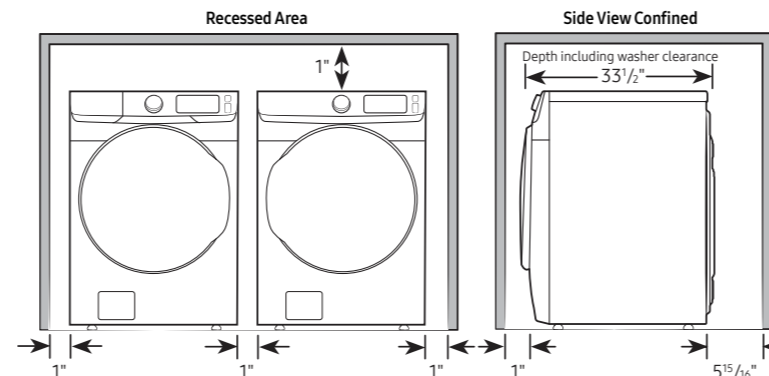
DVE50A8500V
Samsung 7.5 cu. ft. Smart Electric Dryer with Steam Sanitize+

Dimensions
Required dimensions for installation with pedestal:

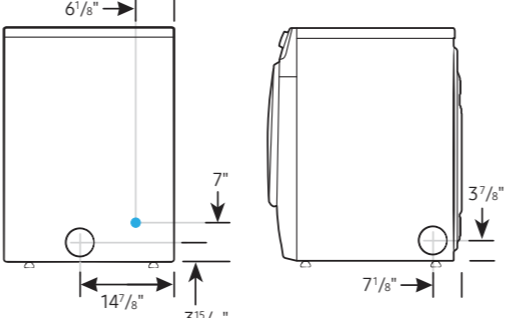


Installation Specifications – Side-by-Side
If the washer and dryer are installed together or the dryer alone, the closet front must have two unobstructed air openings for a combined minimum total area of 72-inch². Your washer alone does not require a specific air opening.

Alcove or closet installation
Minimum clearance for closet and alcove installations:



Connection Dimensions
Back and side view of dryer



LEGEND:
● Cold Water Connection
● Hot Water Connection

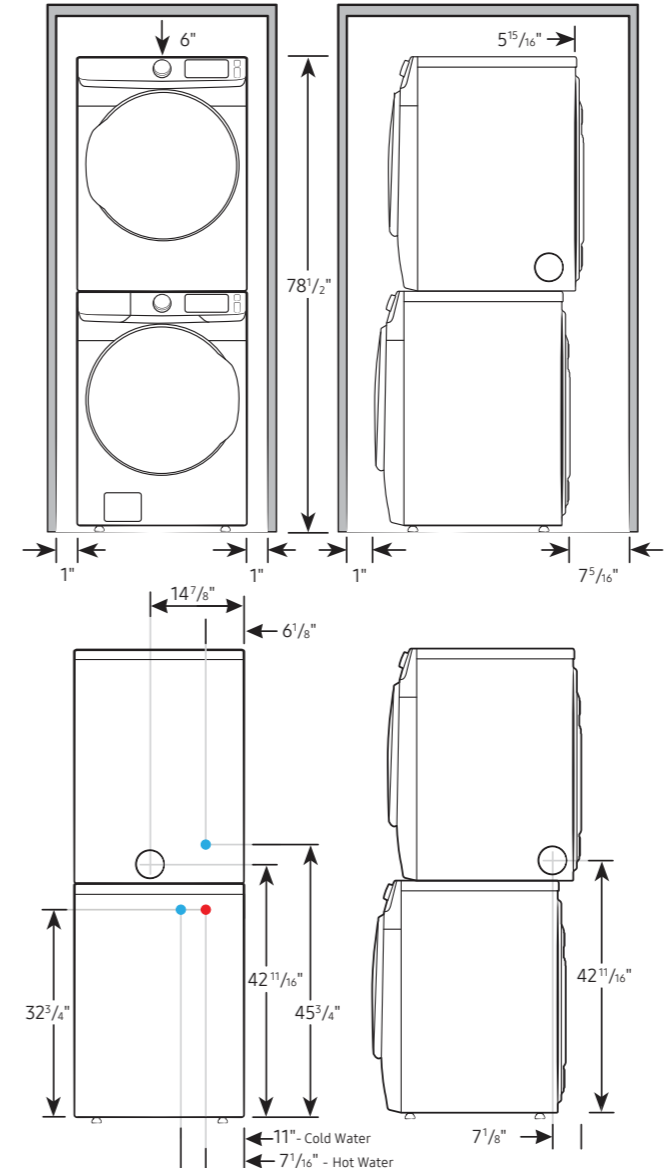
Actual color may vary. Design, specifications, and color availability are subject to change without notice. Non-metric weights and measurements are approximate.
©2021 Samsung Electronics America, Inc. 85 Challenger Road, Ridgefield Park, NJ 07660. Tel: 800-SAMSUNG, samsung.com. Samsung is a registered trademark of Samsung Electronics Co., Ltd.

SAMSUNG

Electric Dryer Spec Sheet - page 2

DVE50A8500V
Samsung 7.5 cu. ft. Smart Electric Dryer with Steam Sanitize+

Installation Specifications – Stacked Pair
Clearances indicated are for stacked pairs. The closet front must have two unobstructed air openings for a combined minimum total area of 72-inch².



Connection Dimensions
Back and side views of stacked pair

LEGEND:
● Cold Water Connection
● Hot Water Connection

Actual color may vary. Design, specifications, and color availability are subject to change without notice. Non-metric weights and measurements are approximate.
©2021 Samsung Electronics America, Inc. 85 Challenger Road, Ridgefield Park, NJ 07660. Tel: 800-SAMSUNG, samsung.com. Samsung is a registered trademark of Samsung Electronics Co., Ltd.

SAMSUNG

Electric Dryer Spec Sheet - page 3

Spec Sheet

Easy Ads link

<https://dam.gettyimages.com/p/z0c3461/external?o=AND&q=DVG50A8500V%20Spec%20Sheet>

DVG50A8500V
Samsung 7.5 cu. ft. Smart Gas Dryer with Steam Sanitize+



Available Color
Brushed Black
DVG50A8500V

Features

- Wi-Fi Connectivity¹
- Steam Sanitize+
- ENERGY STAR[®] Certified
- Sensor Dry
- Vent Sensor
- Smart Care
- Interior Drum Light
- Reversible Door
- Large 7.5 cu. ft. Capacity
- Dual Heaters
- Stainless Steel Drum
- Lint Filter Indicator
- ADA Compliant²
- Accessibility (AUI, Braille)
- Drying Rack
- 22 Total Drying Cycles
- 10 Options
- 5 Temperature Settings
- 3-Way Venting

Specifications

12 Preset Drying Cycles:
Refresh, Steam Sanitize+, Normal, Heavy Duty, Permanent Press, Activewear, Bedding, Delicates, Time Dry, Air Fluff, Quick Dry, Downloaded

10 Downloadable Drying Cycles:
Wrinkle Away, Eco Normal, Towels, Wool, Sanitize, Shirts, Denim, Small Load Care, Low Temp, Rack Dry

10 Options:
Mixed Load Bell, Wrinkle Prevent, Smart Control, Adjust Time (Up), Adjust Time (Down), Eco Dry, Sound, Drum Light, Smart Care, Child Lock

5 Temperature Settings:
High, Medium High, Medium, Medium Low, Low

5 Dry Levels:
More Dry, Normal-More Dry, Normal Dry, Normal-Less Dry, Less Dry

Warranty
One (1) Year Parts and Labor

Product Dimensions & Weight (WxHxD)
Dimensions: 27" x 38 1/2" x 31 1/4"
Weight: 123.5 lbs

Shipping Dimensions & Weight (WxHxD)
Dimensions: 29 1/8" x 42 7/16" x 34 1/16"
Weight: 130.1 lbs

Convenience

- Child Lock
- Filter Check Indicator

Electrical Requirements
120 V / 60 Hz
15 Amps

Gas Dryer	Model #	UPC Code
Brushed Black	DVG50A8500V	887276549576
Electric Dryer	Model #	UPC Code
Brushed Black	DVE50A8500V	887276549569

Optional Accessories	Model #	UPC Code
Brushed Black Pedestal	WE402NV	887276510145
Brushed Black Risers	WEZ72NV	887276197630
Stacking Kit	SKK-8K	887276344034
Vent Kit	DV-2A	887276146416
Gas to Propane Converter Kit	LPKIT-4	887276352787

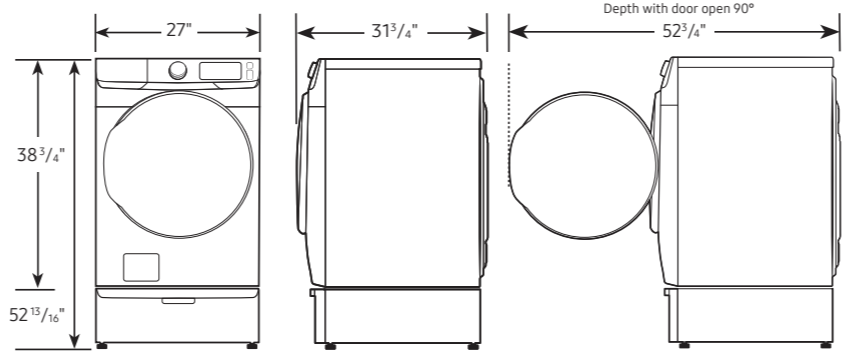
¹Requires wireless network, Samsung account and Samsung SmartThings App. The Samsung Smart Things App supports Android OS 4.0 (ICS) or later which is optimized for Samsung smartphones (Galaxy S and Galaxy Note series). This app also supports iOS 7 or later for iPhone models. Samsung SmartThings App available in App Store and Play Store.
²ADA Compliant when using 27" wide riser. (Riser model codes: WEZ72NV, WEZ72NW, WEZ72NC)

SAMSUNG

Gas Dryer Spec Sheet - page 1

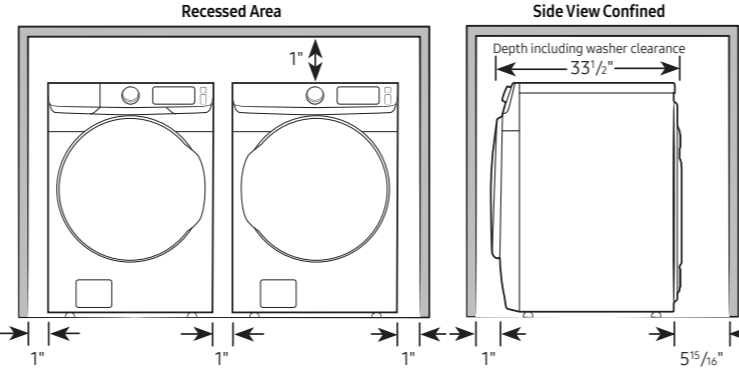
DVG50A8500V
Samsung 7.5 cu. ft. Smart Gas Dryer with Steam Sanitize+

Dimensions
Required dimensions for installation with pedestal:

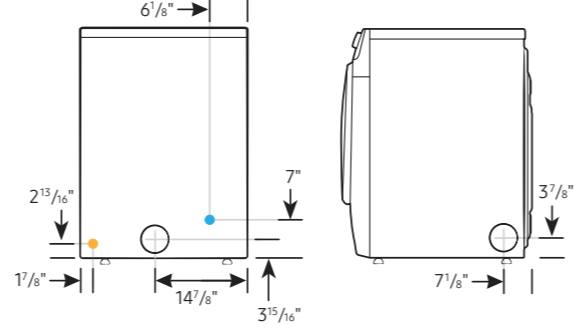


Installation Specifications – Side-by-Side
If the washer and dryer are installed together or the dryer alone, the closet front must have two unobstructed air openings for a combined minimum total area of 72-inch². Your washer alone does not require a specific air opening.

Alcove or closet installation
Minimum clearance for closet and alcove installations:



Connection Dimensions
Back and side view of dryer:



LEGEND:
● Cold Water Connection
● Hot Water Connection
● Gas Connection

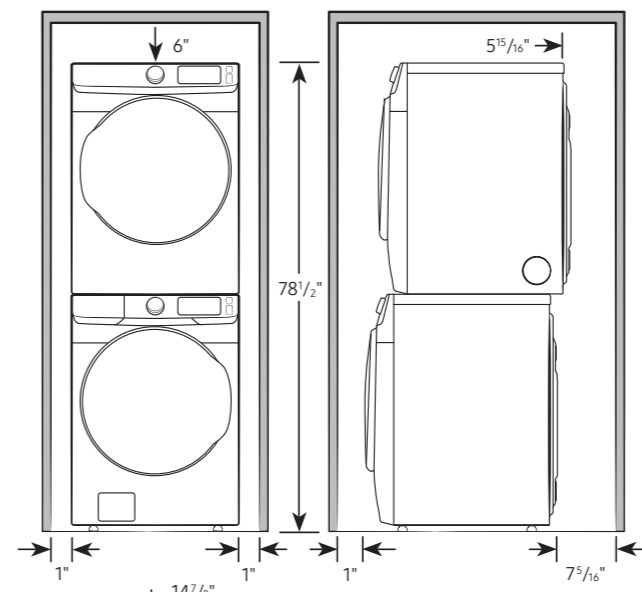
Actual color may vary. Design, specifications, and color availability are subject to change without notice. Non-metric weights and measurements are approximate.
©2021 Samsung Electronics America, Inc.
85 Challenger Road, Ridgefield Park, NJ 07660.
Tel: 800-SAMSUNG, samsung.com. Samsung is a registered trademark of Samsung Electronics Co., Ltd.

SAMSUNG

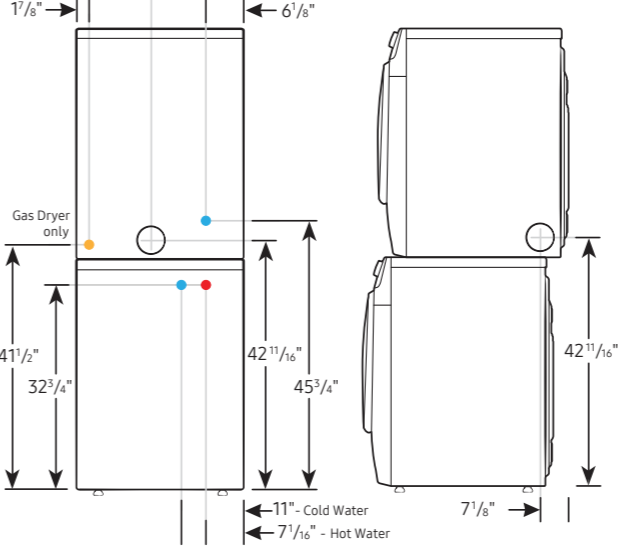
Gas Dryer Spec Sheet - page 2

DVG50A8500V
Samsung 7.5 cu. ft. Smart Gas Dryer with Steam Sanitize+

Installation Specifications – Stacked Pair
Clearances indicated are for stacked pairs. The closet front must have two unobstructed air openings for a combined minimum total area of 72-inch².



Connection Dimensions
Back and side views of stacked pair:



LEGEND:
● Cold Water Connection
● Hot Water Connection
● Gas Connection

Actual color may vary. Design, specifications, and color availability are subject to change without notice. Non-metric weights and measurements are approximate.
©2021 Samsung Electronics America, Inc.
85 Challenger Road, Ridgefield Park, NJ 07660.
Tel: 800-SAMSUNG, samsung.com. Samsung is a registered trademark of Samsung Electronics Co., Ltd.

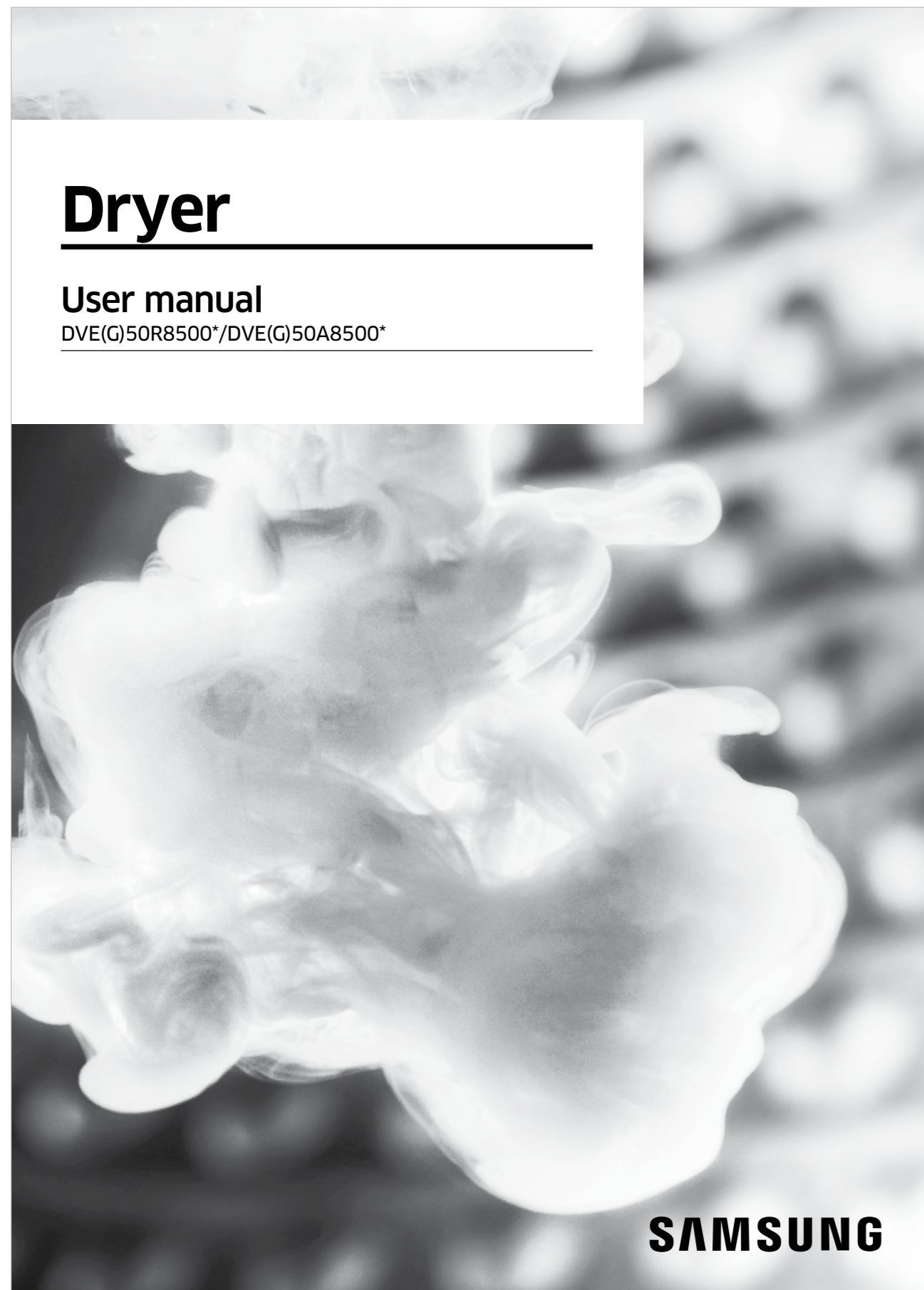
SAMSUNG

Gas Dryer Spec Sheet - page 3

User Manual and Warranty

Easy Ads link

<https://dam.gettyimages.com/p/z0c3461/external?o=AND&q=DVE50A8500V%20User%20Manual>



User Manual - Electric and Gas Dryers

Easy Ads link

<https://dam.gettyimages.com/p/z0c3461/external?o=AND&q=DVE50A8500V%20Warranty>

Warranty (U.S.A) – SAMSUNG DRYER

Models:
DVE(G)50A8500V

LIMITED WARRANTY TO ORIGINAL PURCHASER WITH PROOF OF PURCHASE

This SAMSUNG brand product, as supplied and distributed by SAMSUNG ELECTRONICS AMERICA INC. (SAMSUNG) and delivered new, in the original carton to the original consumer purchaser, is warranted by SAMSUNG against manufacturing defects in materials or workmanship for the limited warranty period, starting from the date of original purchase, of:

One (1) Year Parts and Labor

This limited warranty is valid only on products purchased and used in the United States that have been installed, operated, and maintained according to the instructions attached to or furnished with the product. To receive warranty service, the purchaser must contact SAMSUNG at the address or phone number provided below for problem determination and service procedures. Warranty service can only be performed by a SAMSUNG authorized service center. The original dated bill of sale must be presented upon request as proof of purchase to SAMSUNG or SAMSUNG's authorized service center to receive warranty service.

SAMSUNG will provide in-home service within the contiguous United States during the warranty period at no charge, subject to availability of SAMSUNG authorized servicers within the customer's geographic area. If in-home service is not available, SAMSUNG may elect, at its option, to provide transportation of the product to and from an authorized service center. If the product is located in an area where service by a SAMSUNG authorized servicer is not available, you may be responsible for a trip charge or required to bring the product to a SAMSUNG authorized service center for service.

To receive in-home service, product must be unobstructed and accessible to the service agent.

During the applicable warranty period, a product will be repaired, replaced, or the purchase price refunded, at the sole option of SAMSUNG. SAMSUNG may use new or reconditioned parts in repairing a product, or replace the product with a new or reconditioned product. Replacement parts and products are warranted for the remaining portion of the original product's warranty or ninety (90) days, whichever is longer. All replaced parts and products are the property of SAMSUNG and you must return them to SAMSUNG.

This limited warranty covers manufacturing defects in materials or workmanship encountered in normal household, noncommercial use of this product and shall not cover the following: damage that occurs in shipment, delivery, installation, and uses for which this product was not intended; damage caused by unauthorized modification or alteration of the product; product where the original factory serial numbers have been removed, defaced, changed in any way, or cannot be readily determined; cosmetic damage including scratches, dents, chips, and other damage to the product's finishes; damage caused by abuse, misuse, pest infestations, accident, fire, floods, or other acts of nature or God; damage caused by use of equipment, utilities, services, parts, supplies, accessories, applications, installations, repairs, external wiring or connectors not supplied or authorized by SAMSUNG; damage caused by incorrect electrical line current, voltage, fluctuations and surges; damage caused by failure to operate and maintain the product according to instructions; in-home instruction on how to use your product; and service to correct installation not in accordance with electrical or plumbing codes or correction of household electrical or plumbing (i.e., house wiring, fuses, or water inlet hoses). The cost of repair or replacement under these excluded circumstances shall be the customer's responsibility.

Warranty - Electric and Gas Dryers

Feature Icons

DVE50A8500V / DVG50A8500V

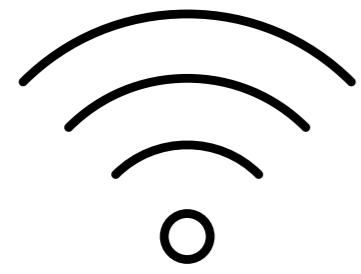
7.5 cu. ft. Smart Electric Dryer with Steam Sanitize+

7.5 cu. ft. Smart Gas Dryer with Steam Sanitize+

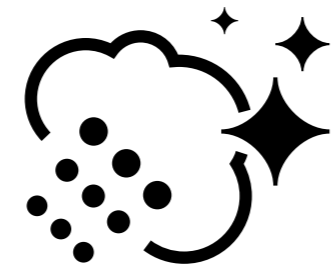
Feature Icons

Easy Ads link

<https://dam.gettyimages.com/p/z0c3461/external?o=AND&q=DVE50A8500V%20Icons>



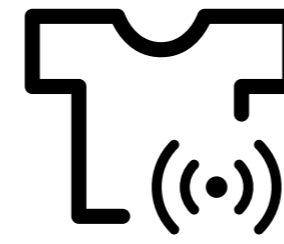
Wi-Fi Connectivity



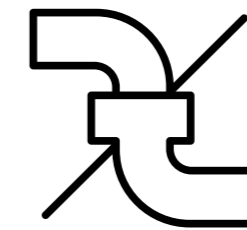
Steam Sanitize+



ENERGY STAR® Certified



Sensor Dry



Vent Sensor



Smart Care

SAMSUNG