

SAMSUNG

Product Guide

6400 Series Laundry

Available in White and Brushed Black



Table of Contents

WF45A6400 - Front Load Washer

Product Overview

Product Overview 4

Carousel Image Order 5

Product Messaging

Features and Benefits 8

Product Specs

Related Products and Accessories 14

Spec Sheet 15

Energy Guide 16

User Manual and Warranty 17

Feature Icons 19

DVE45A6400 - Electric Dryer

DVG45A6400 - Gas Dryer

Product Overview

Product Overview 21

Carousel Image Order 22

Product Messaging

Features and Benefits 25

Product Specs

Related Products and Accessories 31

Spec Sheets 32

User Manual and Warranty 34

Feature Icons 36

Product Overview

WF45A6400AW
WF45A6400AV

**4.5 cu. ft. Large Capacity Smart Dial Front Load
Washer with Super Speed Wash**

Product Overview

Product Title

4.5 cu. ft. Large Capacity Smart Dial Front Load Washer with Super Speed Wash

Product Short Description (210 Characters)

Samsung's new 4.5 cu. ft. large capacity Smart Dial Front Load washer uses AI power to learn and recommend your favorite wash cycles and can wash a full load of laundry in just 28 minutes* with Super Speed Wash.

Product Long Description (350 Characters)

Samsung's new Smart Dial Front Load washer uses AI power to learn and recommend your favorite wash cycles and displays them first for quick access in a simplified, easy to use control panel. It has a large 4.5 cu. ft. capacity and with Super Speed Wash, you can wash a full load of laundry in just 28 minutes* without sacrificing cleaning performance.

*Based on using Super Speed cycle with an 8lb load.

Available Colors



White

Model Number: WF45A6400AW

UPC: 887276557878



Brushed Black

Model Number: WF45A6400AV

UPC: 887276557861



Carousel Image Order

Easy Ads links

Retail.com: <https://dam.gettyimages.com/p/z0c3461/external?o=AND&q=WF45A6400AW%20Carousel%20Images%20RCOM>
Samsung.com: <https://dam.gettyimages.com/p/z0c3461/external?o=AND&q=WF45A6400AW%20Carousel%20Images%20SCOM>
360 Spin: <https://dam.gettyimages.com/p/z0c3461/external?o=AND&q=WF45A6400AW%20360%20Spins>



Carousel Image Order

Easy Ads links

Retail.com: <https://dam.gettyimages.com/p/z0c3461/external?o=AND&q=WF45A6400AV%20Carousel%20Images%20RCOM>
Samsung.com: <https://dam.gettyimages.com/p/z0c3461/external?o=AND&q=WF45A6400AV%20Carousel%20Images%20SCOM>
360 Spin: <https://dam.gettyimages.com/p/z0c3461/external?o=AND&q=WF45A6400AV%20360%20Spins>



Product Messaging




WF45A6400AW

WF45A6400AV

**4.5 cu. ft. Large Capacity Smart Dial Front Load Washer
with Super Speed Wash**




Features and Benefits: WF45A6400*

White Washer Easy Ads link: <https://dam.gettyimages.com/p/z0c3461/external?o=AND&q=%20WF45A6400AW%20Below%20The%20Fold>
 Brushed Black Washer Easy Ads link: <https://dam.gettyimages.com/p/z0c3461/external?o=AND&q=%20WF45A6400AV%20Below%20The%20Fold>

Headline	Feature Name	Long Body Copy	Short Body Copy	Associated Image
<p>Laundry just got smarter</p>	<p>AI Powered Smart Dial</p>	<p>Samsung's simple to use, AI Powered Smart Dial learns and recommends your favorite wash cycles and allows you to customize your cycle list, change the displayed language, and operate the dryer right from the washer when the units are stacked.*</p> <p><small>*Operating dryer from washer requires DV-MCK/A1 (sold separately) and stacking kit (sold separately).</small></p>	<p>Samsung's AI Powered Smart Dial learns and recommends your favorite wash cycles and allows you to operate the dryer right from the washer when the units are stacked.*</p> <p><small>*Operating dryer from washer requires DV-MCK/A1 (sold separately) and stacking kit (sold separately).</small></p>	
<p>Controls within reach</p>	<p>MultiControl™</p>	<p>Eliminate the long reach and operate your dryer right from your washer when the units are stacked.*</p> <p><small>*Use of this feature requires a stacked washer and dryer (stacking kit sold separately) and DV-MCK/A1, which is sold separately.</small></p>	<p>Operate your dryer right from your washer when stacking.*</p> <p><small>*Use of this feature requires a stacked washer and dryer (stacking kit sold separately) and DV-MCK/A1, which is sold separately.</small></p>	
<p>Fits any space</p>	<p>Flexible Installation</p>	<p>Install your washer and dryer stacked or side by side to fit any space.</p>	<p>Your choice, stacked or side by side.</p>	




Features and Benefits: WF45A6400* (Continued)

White Washer Easy Ads link: <https://dam.gettyimages.com/p/z0c3461/external?o=AND&q=%20WF45A6400AW%20Below%20The%20Fold>
 Brushed Black Washer Easy Ads link: <https://dam.gettyimages.com/p/z0c3461/external?o=AND&q=%20WF45A6400AV%20Below%20The%20Fold>

Headline	Feature Name	Long Body Copy	Short Body Copy	Associated Image
<p>Wash a full load in 28 minutes, wash and dry in under an hour</p>	<p>Super Speed Wash</p>	<p>Wash a full load of laundry with full performance in just 28 minutes* and with an added Super Speed Dryer, achieve a complete wash and dry in under an hour.**</p> <p><small>*Based on using Super Speed cycle with an 8lb load. **Based on 8lb D.O.E. standard load. (50% cotton, 50% poly)</small></p>	<p>Powerful cleaning in just 28 minutes* and achieve a complete wash and dry in under an hour with an added Super Speed Dryer.**</p> <p><small>*Based on using Super Speed cycle with an 8lb load. **Based on 8lb D.O.E. standard load. (50% cotton, 50% poly)</small></p>	
<p>Fit more for fewer loads</p>	<p>Large 4.5 cu. ft. Capacity</p>	<p>Fewer loads, less time in the laundry room, and more time doing the things you love.</p>	<p>Fewer loads, less time in the laundry room.</p>	
<p>Control in the palm of your hand</p>	<p>Wi-Fi Connectivity</p>	<p>Wi-Fi connected so you can receive end of cycle alerts, remotely start or stop your wash, schedule cycles on your time, and more, right from your smartphone with the SmartThings App.*</p> <p><small>*Requires wireless network, Samsung account and SmartThings App. The Samsung SmartThings App supports Android OS 4.0 (ICS) or later which is optimized for Samsung smartphones (Galaxy S and Galaxy Note series). This app also supports iOS 7 or later for iPhone models. SmartThings App available in App Store and Play Store.</small></p>	<p>Receive end of cycle alerts, remotely start, schedule, and more, from your smartphone with the SmartThings App.*</p> <p><small>*Requires wireless network, Samsung account and SmartThings App. The Samsung SmartThings App supports Android OS 4.0 (ICS) or later which is optimized for Samsung smartphones (Galaxy S and Galaxy Note series). This app also supports iOS 7 or later for iPhone models. SmartThings App available in App Store and Play Store.</small></p>	




**Features and Benefits:
WF45A6400* (Continued)**

White Washer Easy Ads link: <https://dam.gettyimages.com/p/z0c3461/external?o=AND&q=%20WF45A6400AW%20Below%20The%20Fold>
 Brushed Black Washer Easy Ads link: <https://dam.gettyimages.com/p/z0c3461/external?o=AND&q=%20WF45A6400AV%20Below%20The%20Fold>

Headline	Feature Name	Long Body Copy	Short Body Copy	Associated Image
<p>A cleaner, protected washer</p>	<p>CleanGuard™</p>	<p>Treated with antimicrobial technology to deliver long-lasting protection of high-touch areas and help keep the drum and detergent drawer smelling fresh.*</p> <p><small>*Antimicrobial treatment does not protect users or other items against bacteria, viruses, germs, or other disease organisms.</small></p>	<p>Have peace of mind with antimicrobial technology that protects high-touch areas and helps keep the drum smelling fresh.*</p> <p><small>*Antimicrobial treatment does not protect users or other items against bacteria, viruses, germs, or other disease organisms.</small></p>	
<p>Gently remove stains</p>	<p>Steam</p>	<p>The power of steam lets you gently remove stains without any time-consuming pretreatments. Steam is released from the drum so every item in the load is thoroughly saturated, ensuring a deep clean.</p>	<p>The power of steam lets you gently remove stains without any time-consuming pretreatments.</p>	
<p>N/A</p>	<p>ENERGY STAR® Most Efficient</p>	<p>Our washers are recognized by the EPA in delivering cutting-edge energy efficiency, along with the latest in technological innovation.*</p> <p><small>*Visit www.energystar.gov for more information on ENERGY STAR® guidelines.</small></p>	<p>Recognition for delivering cutting-edge energy efficiency and innovation.*</p> <p><small>*Visit www.energystar.gov for more information on ENERGY STAR® guidelines.</small></p>	



Features and Benefits: WF45A6400* (Continued)

White Washer Easy Ads link: <https://dam.gettyimages.com/p/z0c3461/external?o=AND&q=%20WF45A6400AW%20Below%20The%20Fold>
 Brushed Black Washer Easy Ads link: <https://dam.gettyimages.com/p/z0c3461/external?o=AND&q=%20WF45A6400AV%20Below%20The%20Fold>

Headline	Feature Name	Long Body Copy	Short Body Copy	Associated Image
<p>Quiet washing anytime, any place</p>	<p>Vibration Reduction Technology+</p>	<p>Do your laundry without disturbing anyone at any time and in any place. Innovative Vibration Reduction Technology+ reduces noise and vibration for quiet washing.</p>	<p>Reduces noise and vibration for quiet washing.</p>	
<p>N/A</p>	<p>Swirl+ Drum Interior</p>	<p>Improved drum pattern extracts more water more quickly during the rinsing cycle and prevents fabrics from snagging during washing.</p>	<p>Improved drum pattern extracts more water more quickly.</p>	
<p>Keep your washer fresh and clean</p>	<p>Self Clean+</p>	<p>Keep your washer drum fresh and clean. Self Clean+ will notify you every 40 wash cycles when it is time for a cleaning.</p>	<p>Keep your washer drum fresh and clean.</p>	

**Features and Benefits:
WF45A6400* (Continued)**

White Washer Easy Ads link: <https://dam.gettyimages.com/p/z0c3461/external?o=AND&q=%20WF45A6400AW%20Below%20The%20Fold>
 Brushed Black Washer Easy Ads link: <https://dam.gettyimages.com/p/z0c3461/external?o=AND&q=%20WF45A6400AV%20Below%20The%20Fold>

Headline	Feature Name	Long Body Copy	Short Body Copy	Associated Image
<p>Easier use, for everyone</p>	<p>ADA Compliant</p>	<p>With use of a Samsung Riser,* your washer or dryer is compliant with the Americans with Disabilities Act (ADA), making loading and unloading much easier.</p> <p><small>*ADA Compliant when using 27" wide riser. (Riser model codes: WE272NV, WE272NW, WE272NC)</small></p>	<p>Designed for easy use for everyone.*</p> <p><small>*ADA Compliant when using 27" wide riser. (Riser model codes: WE272NV, WE272NW, WE272NC)</small></p>	
<p>Perfect pair</p>	<p>Matching Accessories</p>	<p>Round out your laundry setup with a matching dryer, pedestal, riser, and more.</p>	<p>N/A</p>	

Product Specs

WF45A6400AW

WF45A6400AV

**4.5 cu. ft. Large Capacity Smart Dial Front Load Washer
with Super Speed Wash**

Related Products and Accessories


Dryer Series	Pedestal	Riser	MultiControl™	Stacking Kit
DVE45A6400W DVG45A6400W DVE45A6400V DVG45A6400V	WE402NV WE402NW	WE272NV WE272NW	DV-MCK	SKK-8K

Spec Sheet

Easy Ads link

<https://dam.gettyimages.com/p/z0c3461/external?o=AND&q=WF45A6400%20Spec%20Sheet>

WF45A6400AW | WF45A6400AV
Samsung 4.5 cu. ft. Large Capacity Smart Dial Front Load Washer with Super Speed Wash



Available Colors

- White
WF45A6400AW
- Brushed Black
WF45A6400AV

Features

- AI Powered Smart Dial
- MultiControl™
- Flexible Installation
- Super Speed Wash
- Large 4.5 cu. ft. Capacity
- Wi-Fi Connectivity¹
- CleanGuard™
- Steam
- ENERGY STAR® Most Efficient
- Vibration Reduction Technology⁴
- Swirl+ Drum Interior
- Self Clean+
- ADA Compliant³
- Direct Drive Motor
- 1200 RPM Maximum Spin Speed
- Internal Water Heater
- 24 Total Washing Cycles
- 13 Additional Options

Specifications

24 Total Washing Cycles: Normal, Heavy Duty, Bedding, Permanent Press, Delicates, Activewear, Wool, Towels, Eco Cold, Rinse + Spin, Self Clean+, Small Load, Colors, Power Rinse, Spin Only, Outdoor, Denim, Super Speed, Steam Sanitize, Steam Allergen, Steam Normal, Power Steam, Steam Whites, Steam Bulky

13 Additional Washing Options: Presoak, Extra Rinse, My Cycles, Delay End, Smart Control, Super Speed, Child Lock, AI Pattern, Alarm, Calibration, Wi-Fi, Language, Factory Reset

5 Temperature Settings: Extra Hot, Hot, Warm, Cold, Tap Cold

5 Spin Settings: Extra High, High, Medium, Low, Extra Low

5 Soil Settings: Extra Heavy, Heavy, Normal, Light, Extra Light

Warranty
One (1) Year Parts and Labor
Three (3) Years Stainless Steel Drum (Part Only)
Ten (10) Years DD Motor (Part Only)

Product Dimensions & Weight (WxHxD)
Dimensions: 27" x 38 1/4" x 31 1/8"
Weight: 200.6 lbs

Shipping Dimensions & Weight (WxHxD)
Dimensions: 29 1/2" x 42 1/8" x 34 1/8"
Weight: 205 lbs

Optional Accessories

Washer	Model #	UPC Code	Optional Accessories	Model #	UPC Code
White	WF45A6400AW	887276557878	White Pedestal	WE402NW	887276310152
Brushed Black	WF45A6400AV	887276557861	Brushed Black Pedestal	WE402NV	887276310145
			White Riser	WE272NW	887276197647
			Brushed Black Riser	WE272NV	887276197630
			MultiControl™	DV-MCK	887276528953
			Stacking Kit	SKK-BK	887276344034

Matching Electric Dryer

White	DVE45A6400W	887276557717
Brushed Black	DVE45A6400V	887276557700

Matching Gas Dryer

White	DVG45A6400W	887276557786
Brushed Black	DVG45A6400V	887276557779

Matched Ratings

CEE Tier 3
IMEF = 3.1
IWF = 2.9
93 kWh/yr

Electrical Requirements
120 V / 60 Hz
15 Amps

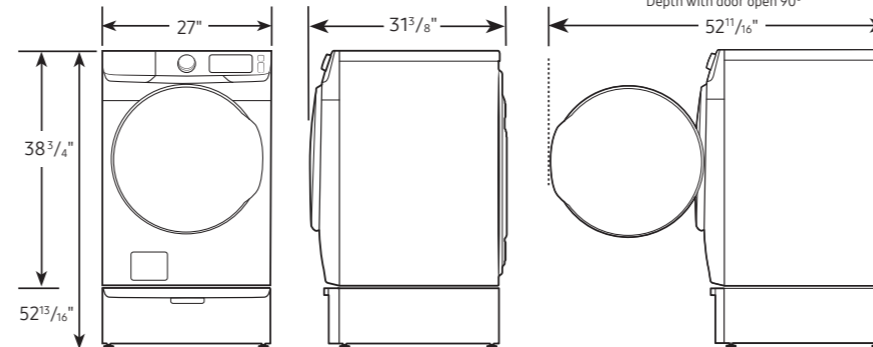
¹Requires wireless network, Samsung account and Samsung SmartThings App. The Samsung Smart Things App supports Android OS 4.0 (ICS) or later which is optimized for Samsung smartphones (Galaxy S and Galaxy Note series). This app also supports iOS 7 or later for iPhone models. Samsung SmartThings App available in App Store and Play Store.
²Antimicrobial treatment does not protect users or other items against bacteria, viruses, germs, or other disease organisms.
³ADA Compliant when using 27" wide riser. (Riser model codes: WE272NW, WE272NV, WE272NC)

SAMSUNG

Washer Spec Sheet - page 1

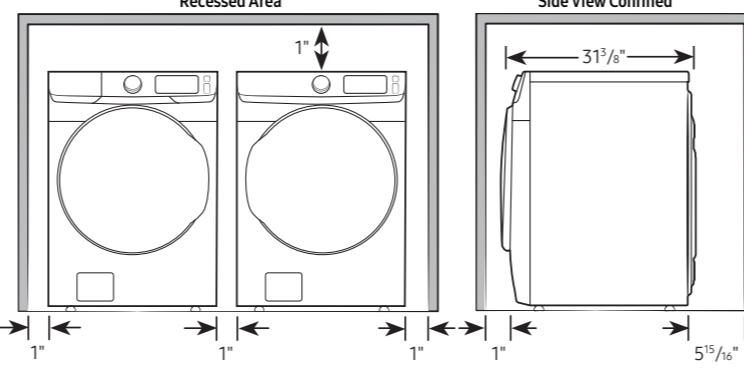
WF45A6400AW | WF45A6400AV
Samsung 4.5 cu. ft. Large Capacity Smart Dial Front Load Washer with Super Speed Wash

Dimensions
Required dimensions for installation with pedestal:

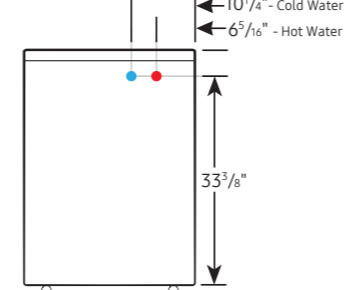


Installation Specifications – Side-by-Side
If the washer and dryer are installed together or the dryer alone, the closet front must have two unobstructed air openings for a combined minimum total area of 72-inch². Your washer alone does not require a specific air opening.

Alcove or closet installation
Minimum clearance for alcove and closet installations:



Connection Dimensions
Back view of washer



LEGEND:
● Cold Water Connection
● Hot Water Connection
● Gas Connection

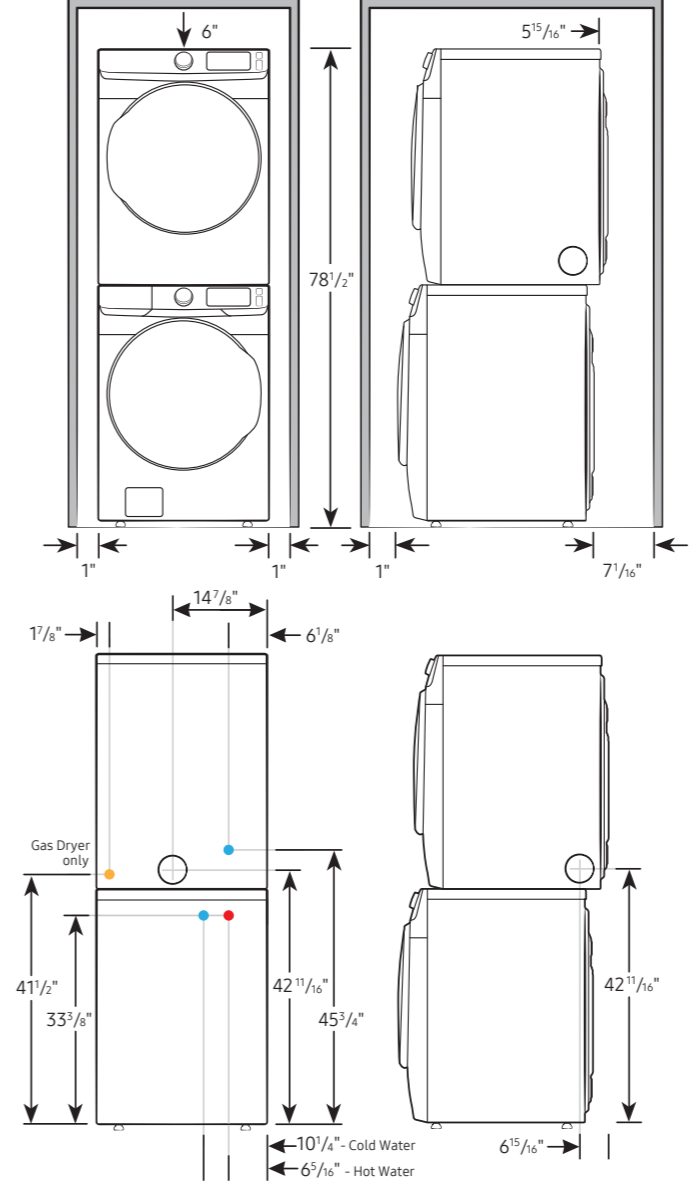
Actual color may vary. Design, specifications, and color availability are subject to change without notice. Non-metric weights and measurements are approximate.
©2021 Samsung Electronics America, Inc.
85 Challenger Road, Ridgefield Park, NJ 07660.
Tel: 800-SAMSUNG, samsung.com Samsung is a registered trademark of Samsung Electronics Co., Ltd.

SAMSUNG

Washer Spec Sheet - page 2

WF45A6400AW | WF45A6400AV
Samsung 4.5 cu. ft. Large Capacity Smart Dial Front Load Washer with Super Speed Wash

Installation Specifications – Stacked Pair
Clearances indicated are for stacked pairs. The closet front must have two unobstructed air openings for a combined minimum total area of 72-inch².



Connection Dimensions
Back and side views of stacked pair

LEGEND:
● Cold Water Connection
● Hot Water Connection
● Gas Connection

Actual color may vary. Design, specifications, and color availability are subject to change without notice. Non-metric weights and measurements are approximate.
©2021 Samsung Electronics America, Inc.
85 Challenger Road, Ridgefield Park, NJ 07660.
Tel: 800-SAMSUNG, samsung.com Samsung is a registered trademark of Samsung Electronics Co., Ltd.

SAMSUNG

Washer Spec Sheet - page 3

Energy Guide

Easy Ads link

<https://dam.gettyimages.com/p/z0c3461/external?o=AND&q=WF45A6400%20Energy%20Guide>

U.S. Government Federal law prohibits removal of this label before consumer purchase.

ENERGYGUIDE

Clothes Washer Capacity Class: Standard Samsung Models WF45A64**A* Capacity (tub volume): 4.5 cubic feet

Compare ONLY to other labels with yellow numbers.
Labels with yellow numbers are based on the same test procedures.

Estimated Yearly Energy Cost
(when used with an electric water heater)

\$11

\$8 Cost Range of Similar Models \$51

93 kWh
Estimated Yearly Electricity Use

\$9
Estimated Yearly Energy Cost
(when used with a natural gas water heater)

- Your cost will depend on your utility rates and use.
- Cost range based only on standard capacity models.
- Estimated energy cost based on six wash loads a week and a national average electricity cost of 12 cents per kWh and natural gas cost of \$1.09 per therm.

ENERGY STAR

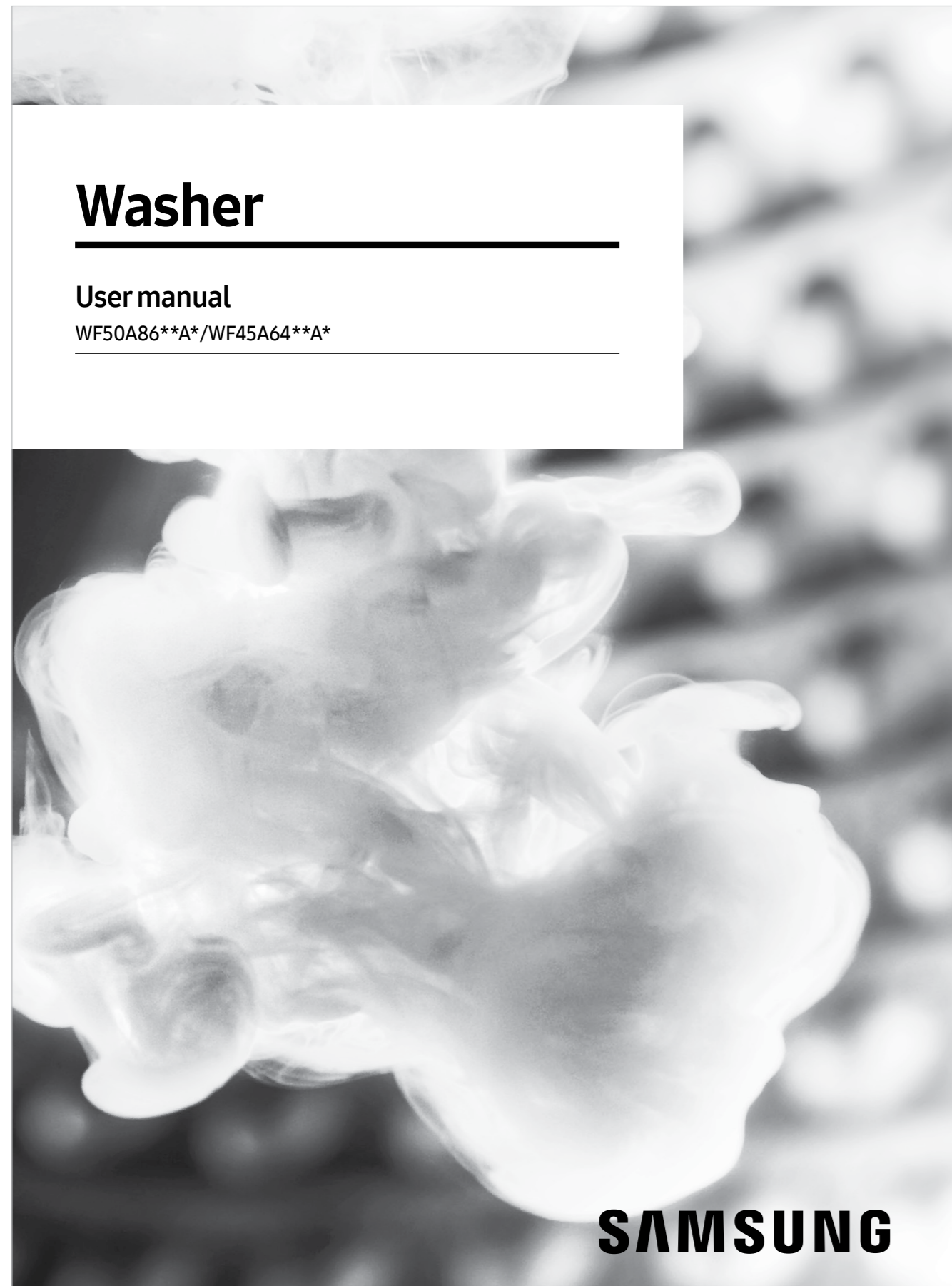
ftc.gov/energy DC68-04261D-00

Energy Guide

User Manual and Warranty

Easy Ads link

<https://dam.gettyimages.com/p/z0c3461/external?o=AND&q=WF45A6400%20User%20Manual>



User Manual

Easy Ads link

<https://dam.gettyimages.com/p/z0c3461/external?o=AND&q=WF45A6400%20Warranty>

Warranty (U.S.A) – SAMSUNG FRONT LOAD WASHER

Models:
WF45A6400AW
WF45A6400AV

LIMITED WARRANTY TO ORIGINAL PURCHASER WITH PROOF OF PURCHASE

This SAMSUNG brand product, as supplied and distributed by SAMSUNG ELECTRONICS AMERICA INC. (SAMSUNG) and delivered new, in the original carton to the original consumer purchaser, is warranted by SAMSUNG against manufacturing defects in materials or workmanship for the limited warranty period, starting from the date of original purchase, of:

One (1) Year Parts and Labor
Three (3) years stainless tub part (Part Only).
Ten (10) years washing DD motor part (Part Only)

This limited warranty is valid only on products purchased and used in the United States that have been installed, operated, and maintained according to the instructions attached to or furnished with the product. To receive warranty service, the purchaser must contact SAMSUNG at the address or phone number provided below for problem determination and service procedures. Warranty service can only be performed by a SAMSUNG authorized service center. The original dated bill of sale must be presented upon request as proof of purchase to SAMSUNG or SAMSUNG's authorized service center to receive warranty service.

SAMSUNG will provide in-home service within the contiguous United States during the warranty period at no charge, subject to availability of SAMSUNG authorized servicers within the customer's geographic area. If in-home service is not available, SAMSUNG may elect, at its option, to provide transportation of the product to and from an authorized service center. If the product is located in an area where service by a SAMSUNG authorized servicer is not available, you may be responsible for a trip charge or required to bring the product to a SAMSUNG authorized service center for service.

To receive in-home service, product must be unobstructed and accessible to the service agent.

During the applicable warranty period, a product will be repaired, replaced, or the purchase price refunded, at the sole option of SAMSUNG. SAMSUNG may use new or reconditioned parts in repairing a product, or replace the product with a new or reconditioned product. Replacement parts and products are warranted for the remaining portion of the original product's warranty or ninety (90) days, whichever is longer. All replaced parts and products are the property of SAMSUNG and you must return them to SAMSUNG.

This limited warranty covers manufacturing defects in materials or workmanship encountered in normal household, noncommercial use of this product and shall not cover the following: damage that occurs in shipment, delivery, installation, and uses for which this product was not intended; damage caused by unauthorized modification or alteration of the product; product where the original factory serial numbers have been removed, defaced, changed in any way, or cannot be readily determined; cosmetic damage including scratches, dents, chips, and other damage to the product's finishes; damage caused by abuse, misuse, pest infestations, accident, fire, floods, or other acts of nature or God; damage caused by use of equipment, utilities, services, parts, supplies, accessories, applications, installations, repairs, external wiring or connectors not supplied or authorized by SAMSUNG; damage caused by incorrect electrical line current, voltage, fluctuations and surges; damage caused by failure to operate and maintain the product according to instructions; in-home instruction on how to use your product; and service to correct installation not in accordance with electrical or plumbing codes or correction of household electrical

Warranty

Feature Icons

WF45A6400AW

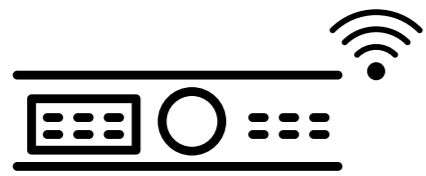
WF45A6400AV

**4.5 cu. ft. Large Capacity Smart Dial Front Load Washer
with Super Speed Wash**

Feature Icons

Easy Ads link

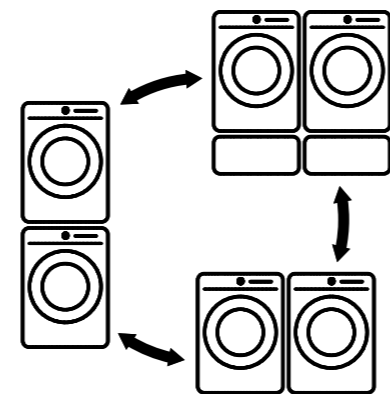
<https://dam.gettyimages.com/p/z0c3461/external?o=AND&q=WF45A6400%20Icons>



AI Powered Smart Dial



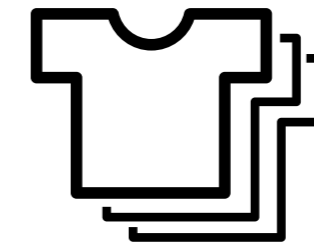
MultiControl™



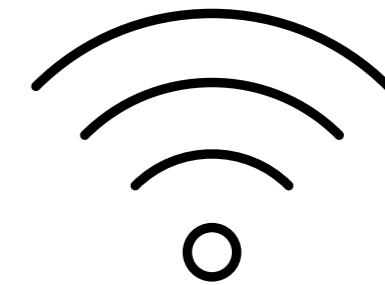
Flexible Installation



Super Speed Wash



Large 4.5 cu. ft. Capacity



Wi-Fi Connectivity

Product Overview

DVE45A6400W / DVG45A6400W

DVE45A6400V / DVG45A6400V

7.5 cu. ft. Smart Dial Electric Dryer with Super Speed Dry

7.5 cu. ft. Smart Dial Gas Dryer with Super Speed Dry

Product Overview

Product Titles

DVE45A6400W, DVE45A6400V - 7.5 cu. ft. Smart Dial Electric Dryer with Super Speed Dry
DVG45A6400W, DVG45A6400V - 7.5 cu. ft. Smart Dial Gas Dryer with Super Speed Dry

Product Short Description (172 Characters)

Samsung's new Smart Dial dryer uses AI power to learn and recommend your favorite drying cycles, with Super Speed Dry you can dry a full load of laundry in just 30 minutes.*

Product Long Description (262 Characters)

Samsung's new Smart Dial dryer uses AI power to learn and recommend your favorite drying cycles and displays them first for quick access in a simplified, easy to use control panel. Also, with Super Speed Dry you can dry a full load of laundry in just 30 minutes.*

*Based on 8lb D.O.E. standard load. (50% cotton, 50% poly)

Available Colors



White

Electric Dryer Model Number: DVE45A6400W
Electric Dryer UPC: 887276557717
Gas Dryer Model Number: DVG45A6400W
Gas Dryer UPC: 887276557786



Brushed Black

Electric Dryer Model Number: DVE45A6400V
Electric Dryer UPC: 887276557700
Gas Dryer Model Number: DVG45A6400V
Gas Dryer UPC: 887276557779



Carousel Image Order

DVE45A6400W / DVG45A6400W

Easy Ads links

Retail.com: <https://dam.gettyimages.com/p/z0c3461/external?o=AND&q=6400W%20Carousel%20Images%20RCOM>
Samsung.com: <https://dam.gettyimages.com/p/z0c3461/external?o=AND&q=6400W%20Carousel%20Images%20SCOM>
360 Spin: <https://dam.gettyimages.com/p/z0c3461/external?o=AND&q=6400W%20360%20Spins%20>



Carousel Image Order

DVE45A6400V / DVG45A6400V

Easy Ads links

Retail.com: <https://dam.gettyimages.com/p/z0c3461/external?o=AND&q=6400V%20Carousel%20Images%20RCOM>
Samsung.com: <https://dam.gettyimages.com/p/z0c3461/external?o=AND&q=6400V%20Carousel%20Images%20SCOM>
360 Spin: <https://dam.gettyimages.com/p/z0c3461/external?o=AND&q=6400V%20360%20Spins%20>



Product Messaging

DVE45A6400W / DVG45A6400W

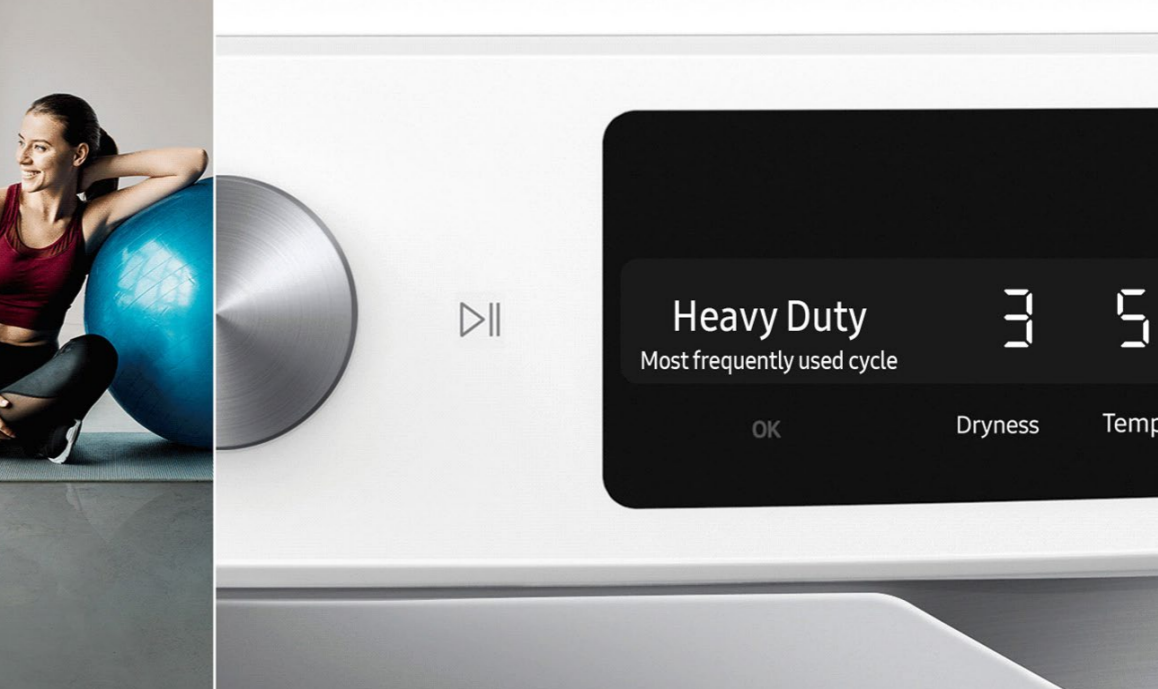


DVE45A6400V / DVG45A6400V

7.5 cu. ft. Smart Dial Electric Dryer with Super Speed Dry

7.5 cu. ft. Smart Dial Gas Dryer with Super Speed Dry



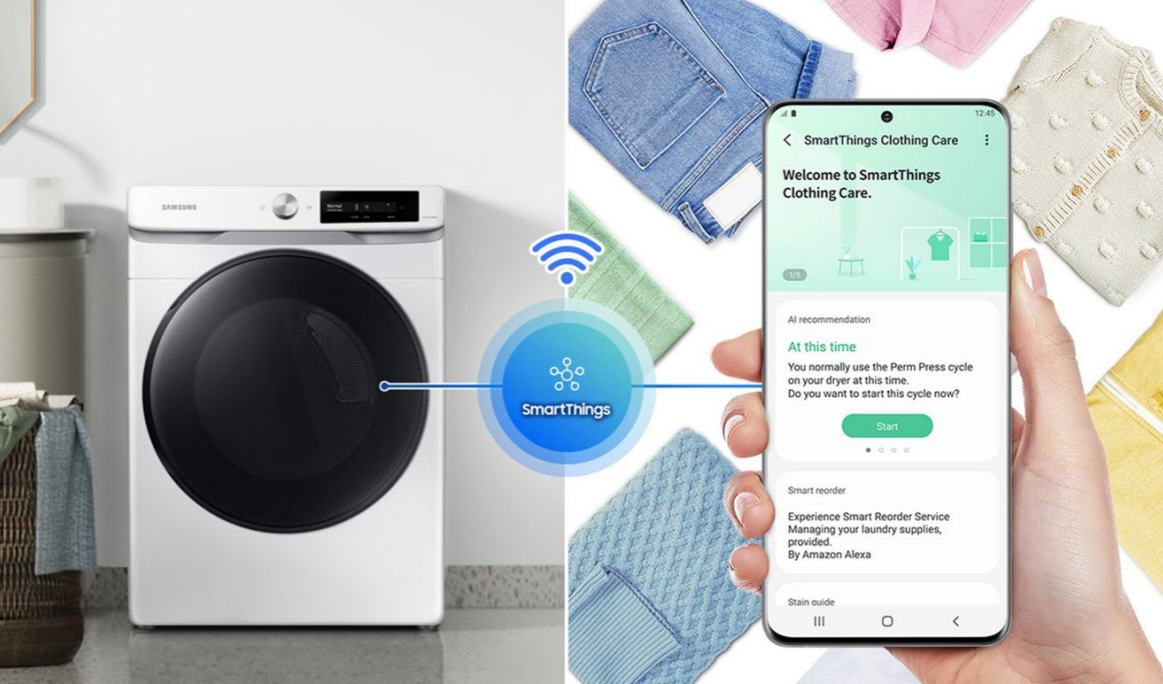
Features and Benefits: DVE(G)45A6400*

White Dryer Easy Ads link: [https://dam.gettyimages.com/p/z0c3461/external?o=AND&q=DVE\(G\)45A6400W%20Below%20The%20Fold](https://dam.gettyimages.com/p/z0c3461/external?o=AND&q=DVE(G)45A6400W%20Below%20The%20Fold)
 Brushed Black Dryer Easy Ads link: [https://dam.gettyimages.com/p/z0c3461/external?o=AND&q=DVE\(G\)45A6400V%20Below%20The%20Fold](https://dam.gettyimages.com/p/z0c3461/external?o=AND&q=DVE(G)45A6400V%20Below%20The%20Fold)

Headline	Feature Name	Long Body Copy	Short Body Copy	Associated Image
<p>Laundry just got smarter</p>	<p>AI Powered Smart Dial</p>	<p>Samsung's simple to use, AI Powered Smart Dial learns and recommends your favorite drying cycles and allows you to customize your cycle list, change the displayed language, and operate the dryer right from the washer when the units are stacked.*</p> <p><small>*Operating dryer from washer requires DV-MCK/A1 (sold separately) and stacking kit (sold separately).</small></p>	<p>Samsung's AI Powered Smart Dial learns and recommends your favorite drying cycles and allows you to operate the dryer right from the washer when the units are stacked.*</p> <p><small>*Operating dryer from washer requires DV-MCK/A1 (sold separately) and stacking kit (sold separately).</small></p>	
<p>Controls within reach</p>	<p>MultiControl™</p>	<p>Eliminate the long reach and operate your dryer right from your washer when the units are stacked.*</p> <p><small>*Use of this feature requires a stacked washer and dryer (stacking kit sold separately) and DV-MCK/A1, which is sold separately.</small></p>	<p>Operate your dryer right from your washer when stacking.*</p> <p><small>*Use of this feature requires a stacked washer and dryer (stacking kit sold separately) and DV-MCK/A1, which is sold separately.</small></p>	
<p>Fits any space</p>	<p>Flexible Installation</p>	<p>Install your washer and dryer stacked or side by side to fit any space.</p>	<p>Your choice, stacked or side by side.</p>	




Features and Benefits: DVE(G)45A6400* (Continued)

White Dryer Easy Ads link: [https://dam.gettyimages.com/p/z0c3461/external?o=AND&q=DVE\(G\)45A6400W%20Below%20The%20Fold](https://dam.gettyimages.com/p/z0c3461/external?o=AND&q=DVE(G)45A6400W%20Below%20The%20Fold)
 Brushed Black Dryer Easy Ads link: [https://dam.gettyimages.com/p/z0c3461/external?o=AND&q=DVE\(G\)45A6400V%20Below%20The%20Fold](https://dam.gettyimages.com/p/z0c3461/external?o=AND&q=DVE(G)45A6400V%20Below%20The%20Fold)

Headline	Feature Name	Long Body Copy	Short Body Copy	Associated Image
<p>Dry a full load in 30 minutes</p>	<p>Super Speed Dry</p>	<p>Optimally dry a full load of laundry in just 30 minutes* and with an added Super Speed Washer, achieve a complete wash and dry in under an hour.**</p> <p>*Based on using Super Speed cycle with an 8lb load. **Based on 8lb D.O.E. standard load. (50% cotton, 50% poly)</p>	<p>Dry in just 30 minutes and achieve a complete wash and dry in under an hour with an added Super Speed Washer.**</p> <p>*Based on using Super Speed cycle with an 8lb load. **Based on 8lb D.O.E. standard load. (50% cotton, 50% poly)</p>	
<p>Freshen up clothes</p>	<p>Steam Sanitize+</p>	<p>The Steam Sanitize+ cycle removes 99.9% of germs and bacteria, over 95% of pollen, and kills 100% of dust mites.* Multi-Steam Technology steams away wrinkles, odors, and static.</p> <p>*Based on internal testing and independently verified by Intertek.</p>	<p>Steams away 99.9% of germs and bacteria,* while also reducing wrinkles and odors.</p> <p>*Based on internal testing and independently verified by Intertek.</p>	
<p>Control in the palm of your hand</p>	<p>Wi-Fi Connectivity</p>	<p>Wi-Fi connected so you can receive end of cycle alerts, remotely start or stop your drying, schedule cycles on your time, and more, right from your smartphone with the SmartThings App.*</p> <p>*Requires wireless network, Samsung account and SmartThings App. The Samsung SmartThings App supports Android OS 4.0 (ICS) or later which is optimized for Samsung smartphones (Galaxy S and Galaxy Note series). This app also supports iOS 7 or later for iPhone models. SmartThings App available in App Store and Play Store.</p>	<p>Receive end of cycle alerts, remotely start, schedule, and more, from your smartphone with the SmartThings App.*</p> <p>*Requires wireless network, Samsung account and SmartThings App. The Samsung SmartThings App supports Android OS 4.0 (ICS) or later which is optimized for Samsung smartphones (Galaxy S and Galaxy Note series). This app also supports iOS 7 or later for iPhone models. SmartThings App available in App Store and Play Store.</p>	




Features and Benefits: DVE(G)45A6400* (Continued)

White Dryer Easy Ads link: [https://dam.gettyimages.com/p/z0c3461/external?o=AND&q=DVE\(G\)45A6400W%20Below%20The%20Fold](https://dam.gettyimages.com/p/z0c3461/external?o=AND&q=DVE(G)45A6400W%20Below%20The%20Fold)
 Brushed Black Dryer Easy Ads link: [https://dam.gettyimages.com/p/z0c3461/external?o=AND&q=DVE\(G\)45A6400V%20Below%20The%20Fold](https://dam.gettyimages.com/p/z0c3461/external?o=AND&q=DVE(G)45A6400V%20Below%20The%20Fold)

Headline	Feature Name	Long Body Copy	Short Body Copy	Associated Image
N/A	ENERGY STAR® Certified	ENERGY STAR® Certified,* so you can save money by using less energy without sacrificing performance or functionality. *Visit www.energystar.gov for more information on ENERGY STAR® guidelines.	Eco-friendly and energy-efficient.	
A cleaner, protected dryer	CleanGuard™	Have peace of mind with antimicrobial technology that protects high-touch areas of your dryer.* *Antimicrobial treatment does not protect users or other items against bacteria, viruses, germs, or other disease organisms.	Treated with antimicrobial technology to deliver long-lasting protection of high-touch areas.* *Antimicrobial treatment does not protect users or other items against bacteria, viruses, germs, or other disease organisms.	
Worry-free drying	Sensor Dry	Automatically optimizes the time and temperature of your drying cycle to protect your clothes from heat damage, while avoiding excess energy use.	Helps prevent overdrying for optimal fabric care.	




**Features and Benefits:
DVE(G)45A6400* (Continued)**

White Dryer Easy Ads link: [https://dam.gettyimages.com/p/z0c3461/external?o=AND&q=DVE\(G\)45A6400W%20Below%20The%20Fold](https://dam.gettyimages.com/p/z0c3461/external?o=AND&q=DVE(G)45A6400W%20Below%20The%20Fold)
 Brushed Black Dryer Easy Ads link: [https://dam.gettyimages.com/p/z0c3461/external?o=AND&q=DVE\(G\)45A6400V%20Below%20The%20Fold](https://dam.gettyimages.com/p/z0c3461/external?o=AND&q=DVE(G)45A6400V%20Below%20The%20Fold)

Headline	Feature Name	Long Body Copy	Short Body Copy	Associated Image
<p>Cleaner, safer vents</p>	<p>Vent Sensor</p>	<p>Vent Sensor continually monitors the condition of your dryer's air duct to ensure it is operating safely and efficiently. It automatically notifies you when it is time for a cleaning and prompts you to check for obstructions, so you can always maintain optimum drying performance.</p>	<p>Continuously monitors the condition of the air duct to ensure it's operating safely and efficiently.</p>	
<p>Fit more for fewer loads</p>	<p>Large 7.5 cu. ft. Capacity</p>	<p>Fewer loads, less time in the laundry room, and more time doing the things you love.</p>	<p>Fewer loads, less time in the laundry room.</p>	
<p>N/A</p>	<p>Interior Drum Light</p>	<p>Put an end to stray socks or smaller laundry items that are hard to spot. An interior drum light brightly illuminates your laundry and the rest of the interior, so you can quickly and safely check your dryer's contents.</p>	<p>Put an end to stray socks or small items that are hard to spot.</p>	


Features and Benefits: DVE(G)45A6400* (Continued)

White Dryer Easy Ads link: [https://dam.gettyimages.com/p/z0c3461/external?o=AND&q=DVE\(G\)45A6400W%20Below%20The%20Fold](https://dam.gettyimages.com/p/z0c3461/external?o=AND&q=DVE(G)45A6400W%20Below%20The%20Fold)
 Brushed Black Dryer Easy Ads link: [https://dam.gettyimages.com/p/z0c3461/external?o=AND&q=DVE\(G\)45A6400V%20Below%20The%20Fold](https://dam.gettyimages.com/p/z0c3461/external?o=AND&q=DVE(G)45A6400V%20Below%20The%20Fold)

Headline	Feature Name	Long Body Copy	Short Body Copy	Associated Image
<p>Flexible opening</p>	<p>Reversible Door</p>	<p>Choose the direction your dryer door opens to better suit your laundry room layout.</p>	<p>Choose the direction your dryer door opens.</p>	
<p>Stop the fluff</p>	<p>Lint Filter Indicator</p>	<p>Stop worrying about lint or fluff building up and blocking your dryer's air intake. The Lint Filter Indicator light on the control panel will provide you with a helpful reminder when it is time to clean the filter, so your dryer maintains optimal performance.</p>	<p>The Lint Filter Indicator light lets you know when it is time to clean the filter.</p>	
<p>Easier use, for everyone</p>	<p>ADA Compliant</p>	<p>With use of a Samsung Riser,* your washer or dryer is compliant with the Americans with Disabilities Act (ADA), making loading and unloading much easier.</p> <p><small>*ADA Compliant when using 27" wide riser. (Riser model codes: WE272NV, WE272NW, WE272NC)</small></p>	<p>Designed for easy use for everyone.*</p> <p><small>*ADA Compliant when using 27" wide riser. (Riser model codes: WE272NV, WE272NW, WE272NC)</small></p>	

**Features and Benefits:
DVE(G)45A6400* (Continued)**

White Dryer Easy Ads link: [https://dam.gettyimages.com/p/z0c3461/external?o=AND&q=DVE\(G\)45A6400W%20Below%20The%20Fold](https://dam.gettyimages.com/p/z0c3461/external?o=AND&q=DVE(G)45A6400W%20Below%20The%20Fold)
 Brushed Black Dryer Easy Ads link: [https://dam.gettyimages.com/p/z0c3461/external?o=AND&q=DVE\(G\)45A6400V%20Below%20The%20Fold](https://dam.gettyimages.com/p/z0c3461/external?o=AND&q=DVE(G)45A6400V%20Below%20The%20Fold)

Headline	Feature Name	Long Body Copy	Short Body Copy	Associated Image
Perfect pair	Matching Accessories	Round out your laundry setup with a matching washer, pedestal, riser and more.	N/A	

Product Specs

DVE45A6400W / DVG45A6400W

DVE45A6400V / DVG45A6400V

7.5 cu. ft. Smart Dial Electric Dryer with Super Speed Dry

7.5 cu. ft. Smart Dial Gas Dryer with Super Speed Dry

Related Products and Accessories

Washer Series	Pedestal	Riser	MultiControl™	Stacking Kit	Gas to Propane Converter Kit	Side Vent Kit
WF45A6400AW WF45A6400AV	WE402NV WE402NW	WE272NV WE272NW	DV-MCK	SKK-8K	LPKIT-4	DV-2A

Spec Sheet

Easy Ads link

<https://dam.gettyimages.com/p/z0c3461/external?o=AND&q=DVE45A6400%20Spec%20Sheet>

DVE45A6400W | DVE45A6400V
Samsung 7.5 cu. ft. Smart Dial Electric Dryer with Super Speed Dry



Available Colors

- White (DVE45A6400W)
- Brushed Black (DVE45A6400V)

Features

- AI Powered Smart Dial
- MultiControl™
- Flexible Installation
- Super Speed Dry
- Steam Sanitize+
- Wi-Fi Connectivity¹
- ENERGY STAR® Certified
- CleanGuard™
- Sensor Dry
- Vent Sensor
- Large 7.5 cu. ft. Capacity
- Interior Drum Light
- Reversible Door
- Lint Filter Indicator
- ADA Compliant²
- 19 Preset Drying Cycles
- 14 Options
- 5 Temperature Settings
- 9 Timed Dry Settings
- 4-Way Venting

Specifications

19 Preset Drying Cycles: Refresh, Wrinkle Away, Steam Sanitize+, Super Speed, Eco Normal, Normal, Heavy Duty, Towels, Permanent Press, Activewear, Bedding, Delicates, Wool, Shirts, Denim, Time Dry, Air Fluff, Quick Dry, Rack Dry

14 Options: Mixed Load Bell, Wrinkle Prevent, AntiStatic, My Cycle, Smart Control, Eco Dry, Drum Light, Child Lock, Alarm, AI Pattern, Wi-Fi, Language, Vent Blockage Test, Factory Reset

5 Temperature Settings: High, Medium, Medium Low, Low, Extra Low

5 Dry Levels: Very Dry, More Dry, Normal Dry, Less Dry, Damp Dry

Warranty
One (1) Year Parts and Labor

Product Dimensions & Weight (WxHxD)
Dimensions: 27" x 38 1/4" x 31 1/8"
Weight: 123.5 lbs

Shipping Dimensions & Weight (WxHxD)
Dimensions: 29 1/8" x 42 1/8" x 33 1/2"
Weight: 130.1 lbs

Convenience

- Child Lock
- Filter Check Indicator

Ratings
ENERGY STAR® Rated:
608 kWh/yr

Electrical Requirements
120 V / 240 V / 60 Hz
30 Amps

Electric Dryer	Model #	UPC Code
White	DVE45A6400W	88727657717
Brushed Black	DVE45A6400V	88727657700

Gas Dryer	Model #	UPC Code
White	DVG45A6400W	88727657786
Brushed Black	DVG45A6400V	88727657779

Matching Washer	Model #	UPC Code
White	WF45A6400AW	88727657878
Brushed Black	WF45A6400AV	88727657861

Optional Accessories	Model #	UPC Code
White Pedestal	WE402NW	887276310152
Brushed Black Pedestal	WE402NV	887276310145
White Riser	WE272NW	887276197647
Brushed Black Riser	WE272NV	887276197630
MultiControl™	DV-MCK	887276528953
Stacking Kit	SKK-8K	887276344034
Vent Kit	DV-2A	887276146616

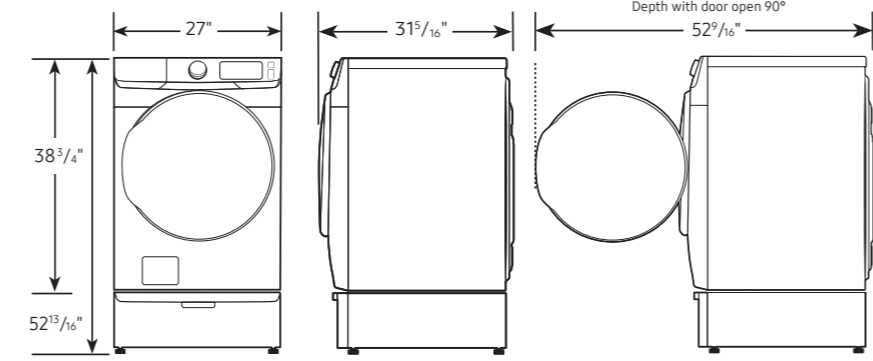
SAMSUNG

¹Requires wireless network, Samsung account and Samsung SmartThings App. The Samsung Smart Things App supports Android OS 4.0 (ICS) or later which is optimized for Samsung smartphones (Galaxy S and Galaxy Note series). This app also supports iOS 7 or later for iPhone models. Samsung SmartThings App available in App Store and Play Store.
²Antimicrobial treatment does not protect users or other items against bacteria, viruses, germs, or other disease organisms.
³ADA Compliant when using 27" wide riser. (Riser model codes: WE272NW, WE272NV, WE272NC)

©2017 Samsung Electronics America, Inc.
85 Challenger Road, Ridgefield Park, NJ 07660
Tel: 800-SAMSUNG, samsung.com. Samsung is a registered trademark of Samsung Electronics Co., Ltd.

Electric Dryer Spec Sheet - page 1

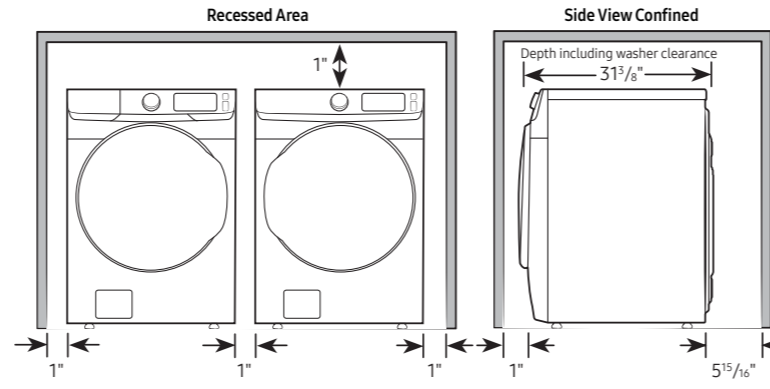
DVE45A6400W | DVE45A6400V
Samsung 7.5 cu. ft. Smart Dial Electric Dryer with Super Speed Dry



Dimensions
Required dimensions for installation with pedestal:
Front view: 27" width, 38 1/4" height, 52 1/8" depth.
Side view: 31 1/8" depth.
Depth with door open 90°: 52 1/8"

Installation Specifications – Side-by-Side
If the washer and dryer are installed together or the dryer alone, the closet front must have two unobstructed air openings for a combined minimum total area of 72-inch². Your washer alone does not require a specific air opening.

Alcove or closet installation
Minimum clearance for closet and alcove installations:



Connection Dimensions
Back and side view of dryer:
Back view: 14 7/8" width, 6 1/8" depth, 7" height to top connection.
Side view: 6 1/8" depth, 3 7/8" height to bottom connection.

LEGEND:
● Cold Water Connection
● Hot Water Connection

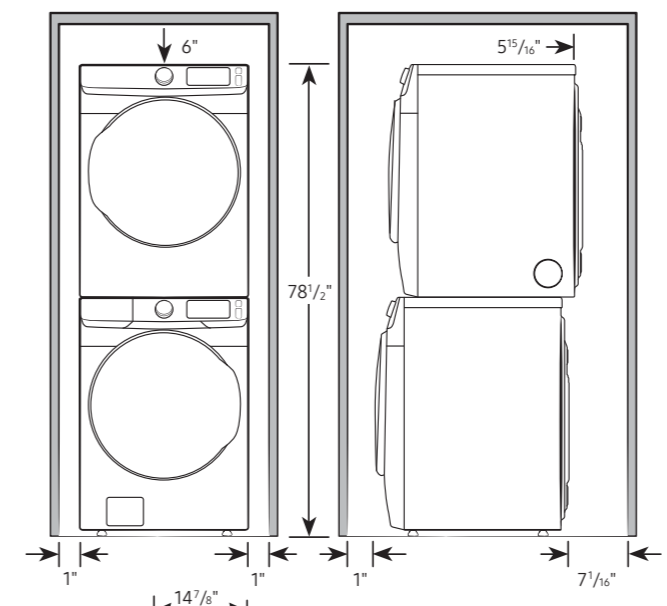
Actual color may vary. Design, specifications, and color availability are subject to change without notice. Non-metric weights and measurements are approximate.

SAMSUNG

Electric Dryer Spec Sheet - page 2

DVE45A6400W | DVE45A6400V
Samsung 7.5 cu. ft. Smart Dial Electric Dryer with Super Speed Dry

Installation Specifications – Stacked Pair
Clearances indicated are for stacked pairs. The closet front must have two unobstructed air openings for a combined minimum total area of 72-inch².



Connection Dimensions
Back and side views of stacked pair:
Back view: 14 7/8" width, 6 1/8" depth, 33 7/8" height to top connection, 42 11/16" height to bottom connection, 45 1/4" height to top connection.
Side view: 6 1/8" depth, 42 11/16" height to bottom connection, 42 11/16" height to top connection.
Water connections: 10 1/4" from bottom for Cold Water, 6 7/8" from bottom for Hot Water.

LEGEND:
● Cold Water Connection
● Hot Water Connection

Actual color may vary. Design, specifications, and color availability are subject to change without notice. Non-metric weights and measurements are approximate.

SAMSUNG


Electric Dryer Spec Sheet - page 3

Spec Sheet

Easy Ads link

<https://dam.gettyimages.com/p/z0c3461/external?o=AND&q=DVG45A6400%20Spec%20Sheet>

DVG45A6400W | DVG45A6400V
Samsung 7.5 cu. ft. Smart Dial Gas Dryer with Super Speed Dry



Available Colors

- White (DVG45A6400W)
- Brushed Black (DVG45A6400V)

Features

- AI Powered Smart Dial
- MultiControl™
- Flexible Installation
- Super Speed Dry
- Steam Sanitize+
- Wi-Fi Connectivity*
- ENERGY STAR® Certified
- CleanGuard™
- Sensor Dry
- Vent Sensor
- Large 7.5 cu. ft. Capacity
- Interior Drum Light
- Reversible Door
- Lint Filter Indicator
- ADA Compliant†
- 19 Preset Drying Cycles
- 14 Options
- 5 Temperature Settings
- 9 Timed Dry Settings
- 3-Way Venting

Specifications

19 Preset Drying Cycles: Refresh, Wrinkle Away, Steam Sanitize+, Super Speed, Eco Normal, Normal, Heavy Duty, Towels, Permanent Press, Activewear, Bedding, Delicates, Wool, Shirts, Denim, Time Dry, Air Fluff, Quick Dry, Rack Dry

14 Options: Mixed Load Bell, Wrinkle Prevent, AntiStatic, My Cycle, Smart Control, Eco Dry, Drum Light, Child Lock, Alarm, AI Pattern, Wi-Fi, Language, Vent Blockage Test, Factory Reset

5 Temperature Settings: High, Medium, Medium Low, Low, Extra Low

5 Dry Levels: Very Dry, More Dry, Normal Dry, Less Dry, Damp Dry

Warranty
One (1) Year Parts and Labor

Product Dimensions & Weight (WxHxD)
Dimensions: 27" x 38 1/4" x 31 1/8"
Weight: 123.5 lbs

Shipping Dimensions & Weight (WxHxD)
Dimensions: 29 1/8" x 42 1/8" x 33 1/2"
Weight: 130.1 lbs

Gas Dryer	Model #	UPC Code	Optional Accessories	Model #	UPC Code
White	DVG45A6400W	887276557786	White Pedestal	WE402NW	887276310152
Brushed Black	DVG45A6400V	887276557779	Brushed Black Pedestal	WE402NV	887276310145
White	DVE45A6400W	887276557717	White Riser	WE272NW	887276197647
Brushed Black	DVE45A6400V	887276557700	Brushed Black Riser	WE272NV	887276197630
			MultiControl™	DV-MCK	887276528953
			Stacking Kit	SKK-BK	887276344034
			Vent Kit	DV-2A	887276146416
			Gas to Propane Converter Kit	LPKIT-4	887276352787


Matching Washer

White	WF45A6400AW	887276557878
Brushed Black	WF45A6400AV	887276557861

Convenience

- Child Lock
- Filter Check Indicator

Electrical Requirements
120 V / 60 Hz
15 Amps



SAMSUNG

*Requires wireless network, Samsung account and Samsung SmartThings App. The Samsung Smart Things App supports Android OS 4.0 (ICS) or later which is optimized for Samsung smartphones (Galaxy S and Galaxy Note series). This app also supports iOS 7 or later for iPhone models. Samsung SmartThings App available in App Store and Play Store.

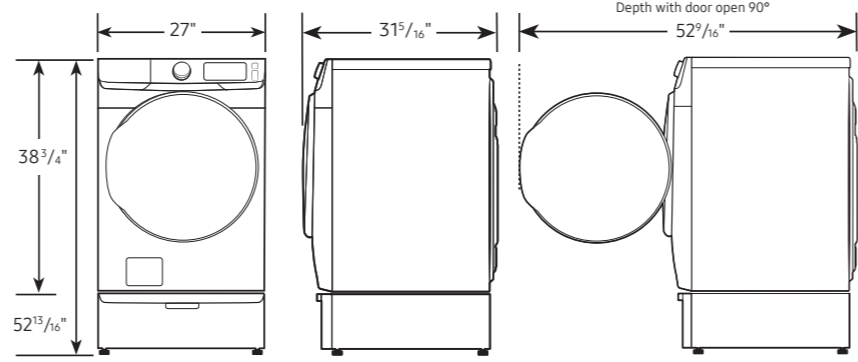
†Antimicrobial treatment does not protect users or other items against bacteria, viruses, germs, or other disease organisms.

‡ADA Compliant when using 27" wide riser. (Riser model codes: WE272NV, WE272NW, WE272NC)

©2017 Samsung Electronics America, Inc. 85 Challenger Road, Ridgefield Park, NJ 07669. Tel: 800-SAMSUNG, samsung.com. Samsung is a registered trademark of Samsung Electronics Co., Ltd.

Gas Dryer Spec Sheet - page 1

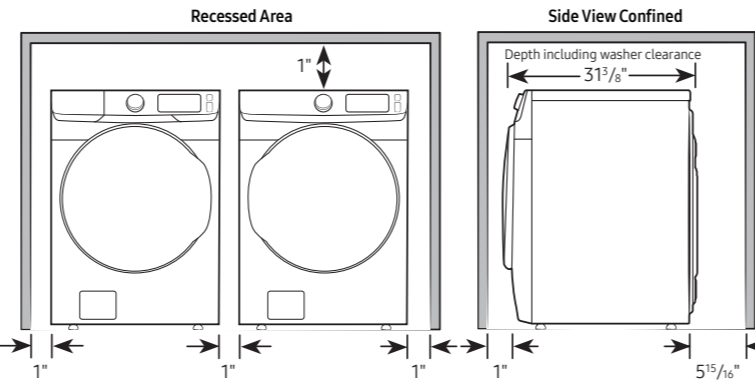
DVG45A6400W | DVG45A6400V
Samsung 7.5 cu. ft. Smart Dial Gas Dryer with Super Speed Dry



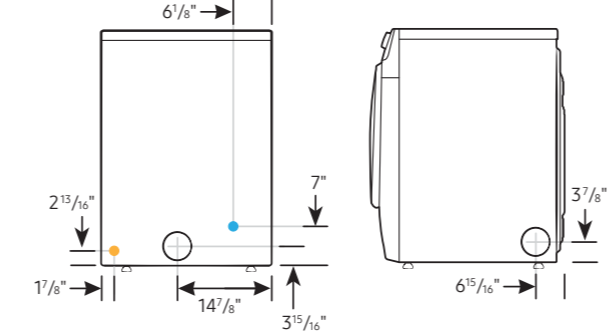
Dimensions
Required dimensions for installation with pedestal:
Front: 27" (width), 38 1/4" (height), 52 1/8" (depth)
Side: 31 1/8" (width)
Depth with door open 90°: 52 1/8"

Installation Specifications – Side-by-Side
If the washer and dryer are installed together or the dryer alone, the closet front must have two unobstructed air openings for a combined minimum total area of 72-inch². Your washer alone does not require a specific air opening.

Alcove or closet installation
Minimum clearance for closet and alcove installations:



Connection Dimensions
Back and side view of dryer



LEGEND:
● Cold Water Connection
● Hot Water Connection
● Gas Connection

Actual color may vary. Design, specifications, and color availability are subject to change without notice. Non-metric weights and measurements are approximate.

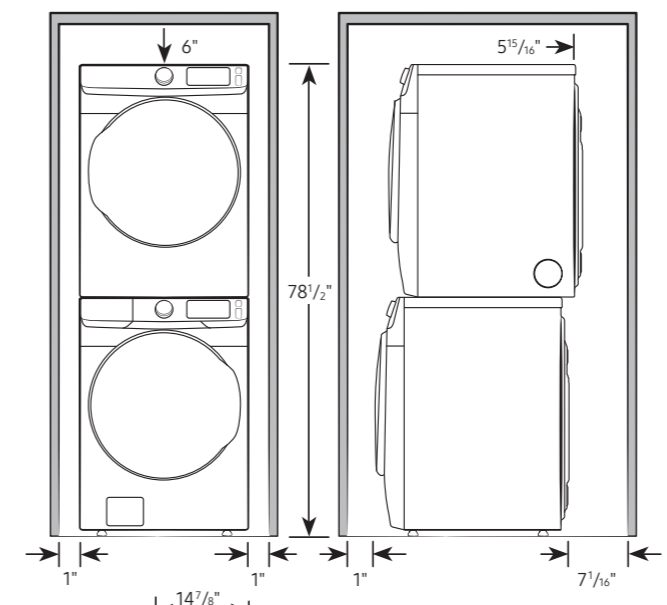
©2017 Samsung Electronics America, Inc. 85 Challenger Road, Ridgefield Park, NJ 07669. Tel: 800-SAMSUNG, samsung.com. Samsung is a registered trademark of Samsung Electronics Co., Ltd.

SAMSUNG

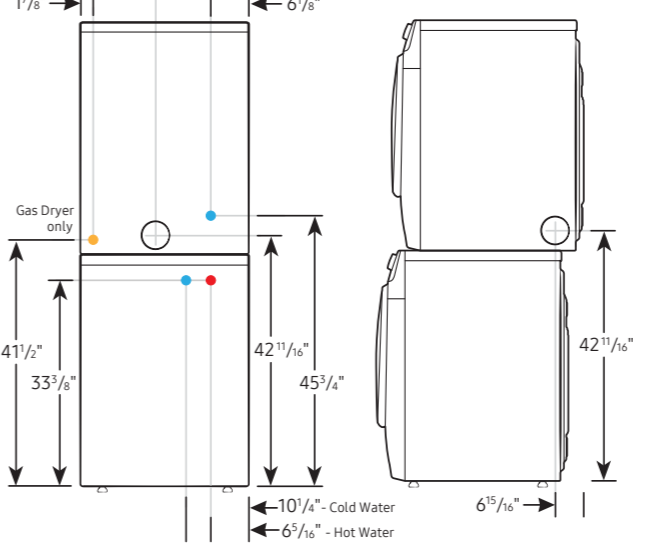
Gas Dryer Spec Sheet - page 2

DVG45A6400W | DVG45A6400V
Samsung 7.5 cu. ft. Smart Dial Gas Dryer with Super Speed Dry

Installation Specifications – Stacked Pair
Clearances indicated are for stacked pairs. The closet front must have two unobstructed air openings for a combined minimum total area of 72-inch².



Connection Dimensions
Back and side views of stacked pair



LEGEND:
● Cold Water Connection
● Hot Water Connection
● Gas Connection

Actual color may vary. Design, specifications, and color availability are subject to change without notice. Non-metric weights and measurements are approximate.

©2017 Samsung Electronics America, Inc. 85 Challenger Road, Ridgefield Park, NJ 07669. Tel: 800-SAMSUNG, samsung.com. Samsung is a registered trademark of Samsung Electronics Co., Ltd.

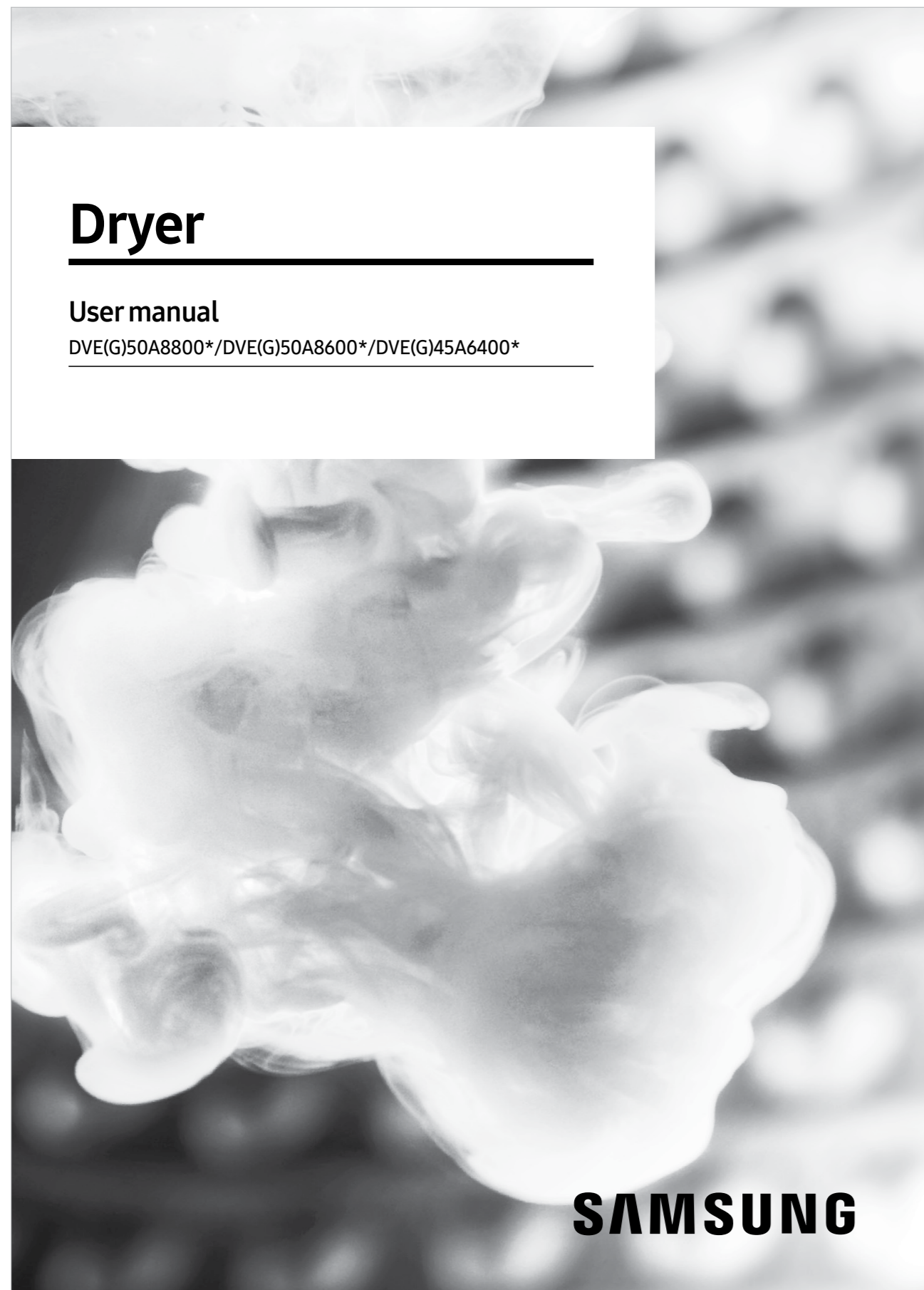
SAMSUNG

Gas Dryer Spec Sheet - page 3

User Manual and Warranty

Easy Ads link

<https://dam.gettyimages.com/p/z0c3461/external?o=AND&q=DVE45A6400W%20User%20Manual>



User Manual - Electric and Gas Dryers

Easy Ads link

<https://dam.gettyimages.com/p/z0c3461/external?o=AND&q=DVE45A6400%20Warranty>

Warranty (U.S.A) – SAMSUNG DRYER

Models:
DVE(G)45A6400W
DVE(G)45A6400V

LIMITED WARRANTY TO ORIGINAL PURCHASER WITH PROOF OF PURCHASE

This SAMSUNG brand product, as supplied and distributed by SAMSUNG ELECTRONICS AMERICA INC. (SAMSUNG) and delivered new, in the original carton to the original consumer purchaser, is warranted by SAMSUNG against manufacturing defects in materials or workmanship for the limited warranty period, starting from the date of original purchase, of:

One (1) Year Parts and Labor

This limited warranty is valid only on products purchased and used in the United States that have been installed, operated, and maintained according to the instructions attached to or furnished with the product. To receive warranty service, the purchaser must contact SAMSUNG at the address or phone number provided below for problem determination and service procedures. Warranty service can only be performed by a SAMSUNG authorized service center. The original dated bill of sale must be presented upon request as proof of purchase to SAMSUNG or SAMSUNG's authorized service center to receive warranty service.

SAMSUNG will provide in-home service within the contiguous United States during the warranty period at no charge, subject to availability of SAMSUNG authorized servicers within the customer's geographic area. If in-home service is not available, SAMSUNG may elect, at its option, to provide transportation of the product to and from an authorized service center. If the product is located in an area where service by a SAMSUNG authorized servicer is not available, you may be responsible for a trip charge or required to bring the product to a SAMSUNG authorized service center for service.

To receive in-home service, product must be unobstructed and accessible to the service agent.

During the applicable warranty period, a product will be repaired, replaced, or the purchase price refunded, at the sole option of SAMSUNG. SAMSUNG may use new or reconditioned parts in repairing a product, or replace the product with a new or reconditioned product. Replacement parts and products are warranted for the remaining portion of the original product's warranty or ninety (90) days, whichever is longer. All replaced parts and products are the property of SAMSUNG and you must return them to SAMSUNG.

This limited warranty covers manufacturing defects in materials or workmanship encountered in normal household, noncommercial use of this product and shall not cover the following: damage that occurs in shipment, delivery, installation, and uses for which this product was not intended; damage caused by unauthorized modification or alteration of the product; product where the original factory serial numbers have been removed, defaced, changed in any way, or cannot be readily determined; cosmetic damage including scratches, dents, chips, and other damage to the product's finishes; damage caused by abuse, misuse, pest infestations, accident, fire, floods, or other acts of nature or God; damage caused by use of equipment, utilities, services, parts, supplies, accessories, applications, installations, repairs, external wiring or connectors not supplied or authorized by SAMSUNG; damage caused by incorrect electrical line current, voltage, fluctuations and surges; damage caused by failure to operate and maintain the product according to instructions; in-home instruction on how to use your product; and service to correct installation not in accordance with electrical or plumbing codes or correction of household electrical or plumbing (i.e., house wiring, fuses, or water inlet hoses). The cost of repair or replacement under these excluded circumstances shall be the customer's responsibility.

Warranty - Electric and Gas Dryers

Feature Icons

DVE45A6400W / DVG45A6400W

DVE45A6400V / DVG45A6400V

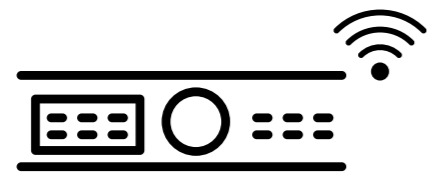
7.5 cu. ft. Smart Dial Electric Dryer with Super Speed Dry

7.5 cu. ft. Smart Dial Gas Dryer with Super Speed Dry

Feature Icons

Easy Ads link

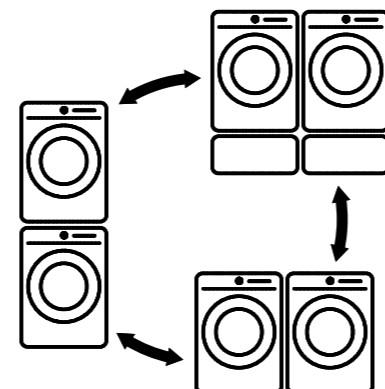
<https://dam.gettyimages.com/p/z0c3461/external?o=AND&q=DVE45A6400%20Icons%20>



AI Powered Smart Dial



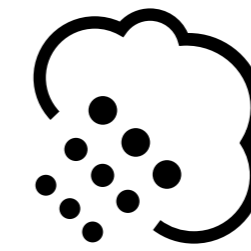
MultiControl™



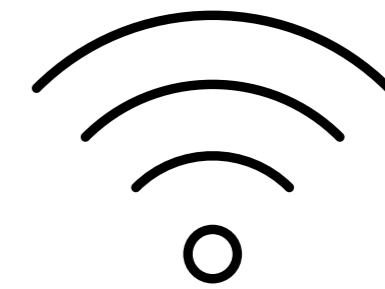
Flexible Installation



Super Speed Dry



Steam Sanitize+



Wi-Fi Connectivity

SAMSUNG