
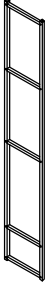
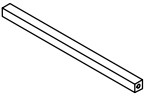
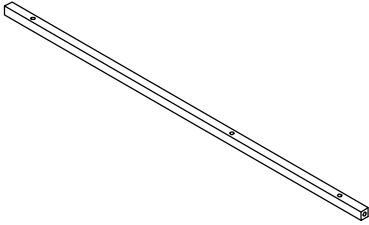
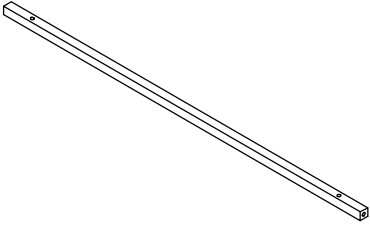
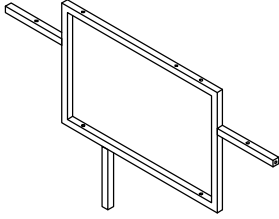
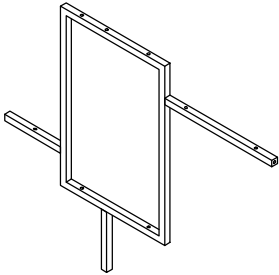
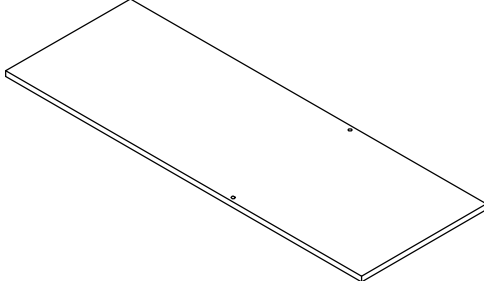
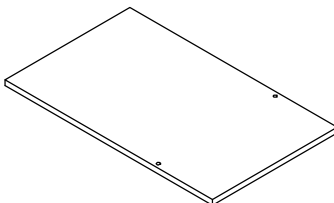
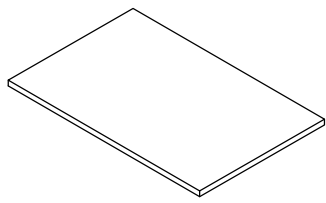
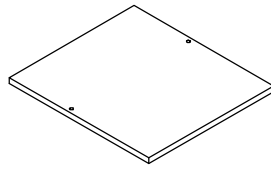


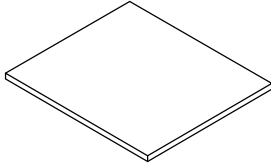
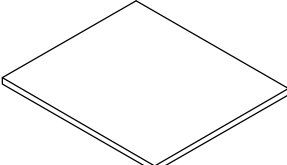
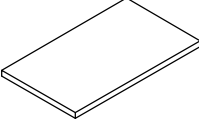
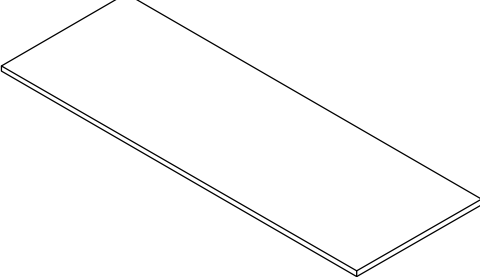
Please identify and locate all assembly parts (see parts list) before discarding any packing materials.
Some parts may have become loose during transit.

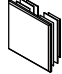


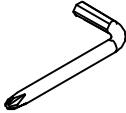
PARTS LIST			
NO.	SKETCH	DESCRIPTION	QYT
1		LSF FRAME	1PC
2		RSF FRAME	1PC
3		RAIL A	2PCS
4		RAIL B	4PCS
5		RAIL C	2PCS

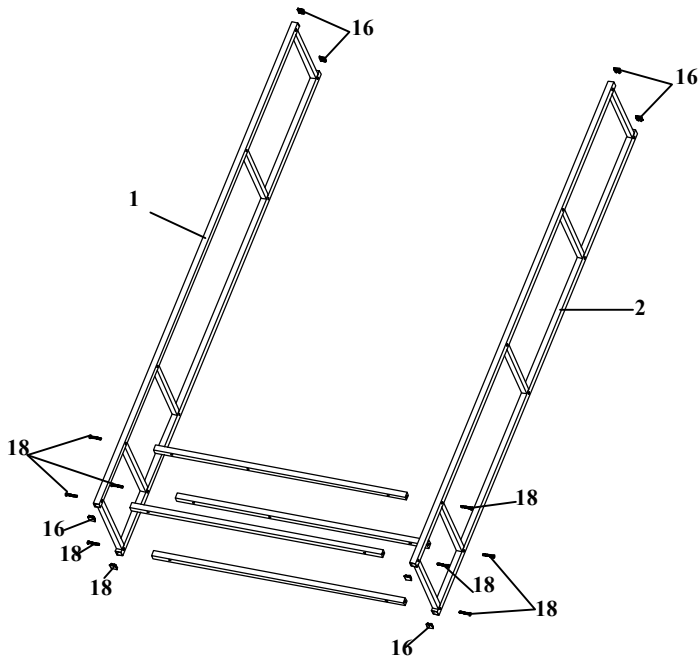
PARTS LIST

NO.	SKETCH	DESCRIPTION	QYT
6		FRAME A	2PCS
7		FRAME B	2PCS
8		SHELF A	2PCS
9		SHELF B	1PC
10		SHELF C	1PC
11		SHELF D	1PC

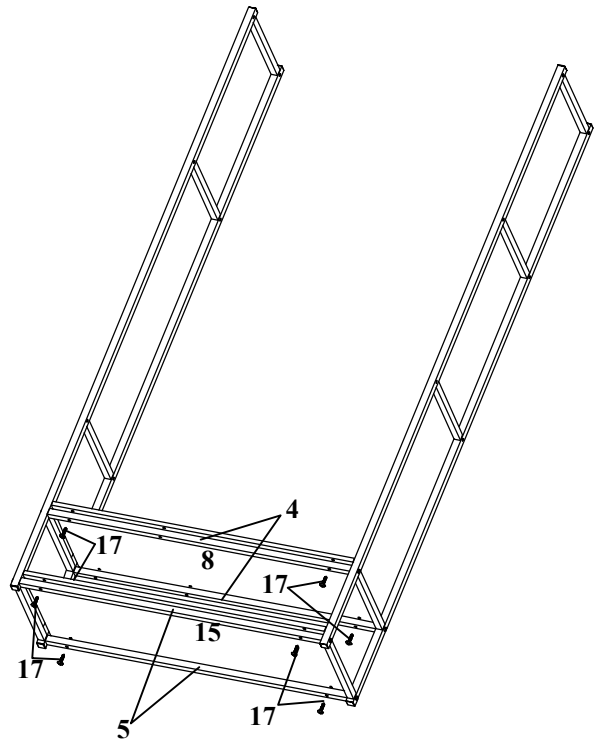
PARTS LIST

NO.	SKETCH	DESCRIPTION	QYT
12		SHELF E	1PC
13		SHELF F	1PC
14		SHELF G	3PCS
15		SHELF H	1PC

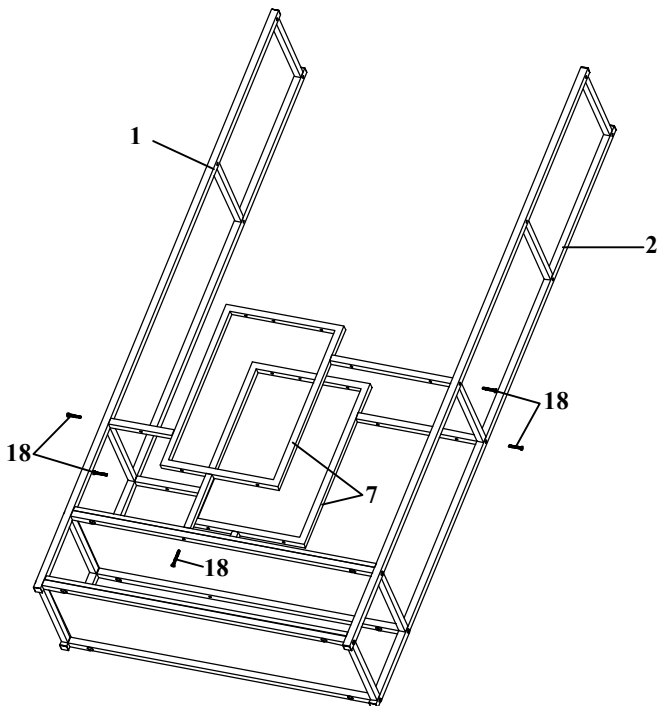
NO.	SKETCH	DESCRIPTION	QYT
16		CAP	8PCS
17		SCREW	38PCS
18		BOLT	28PCS
19		ALLEN KEY	1PC



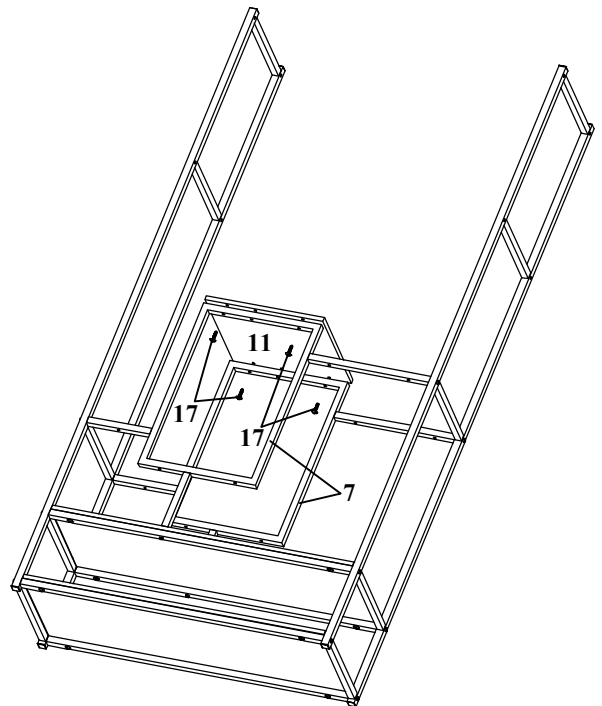
Step 1: Insert the Cap (16) into the LSF/RSF Frame (1,2). Attach Rail A/B (4,5) to LSF/RSF Frame (1,2) by using Bolt (18) as picture shown.



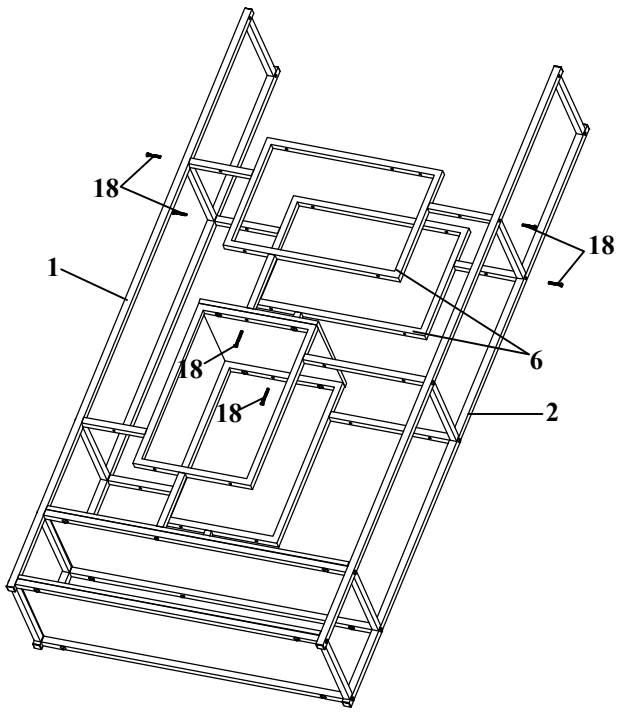
Step 2: Attach Shelf A/H (8,15) to Rail A/B (4,5) by using Bolt (18) as picture shown.



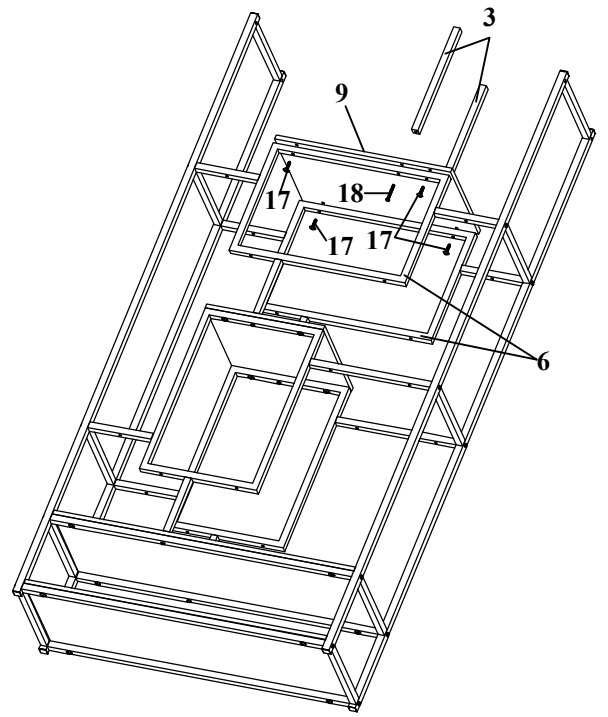
Step 3: Attach Frame B (7) to LSF/RSF Frame (1,2) by using Bolt (18), screw the Bolt (18) to Frame B (7) as picture shown.



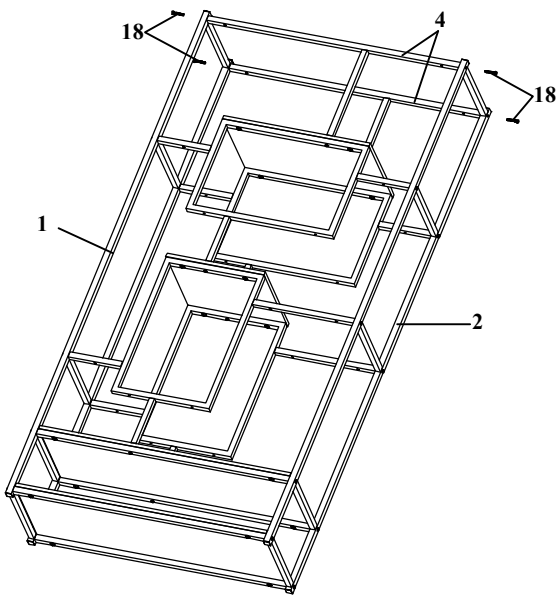
Step 4: Attach the Shelf D (11) to the Frame B (7) by using Screw (17) as picture shown.



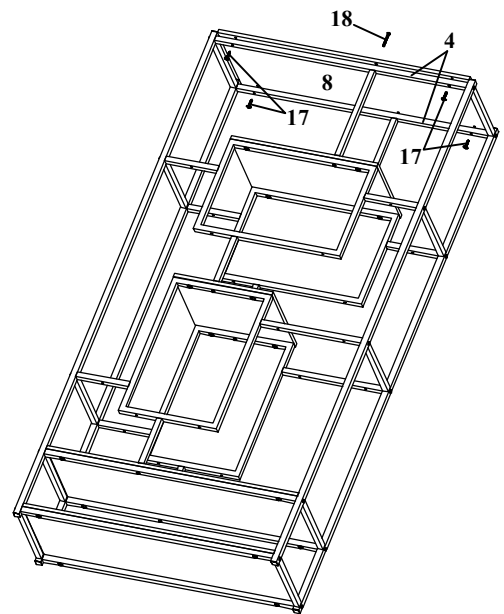
Step 5: Attach Frame A (6) to LSF/RSF Frame (1,2) by using Bolt (18) and Screw the Bolt (18) to Frame A (6) as picture shown.



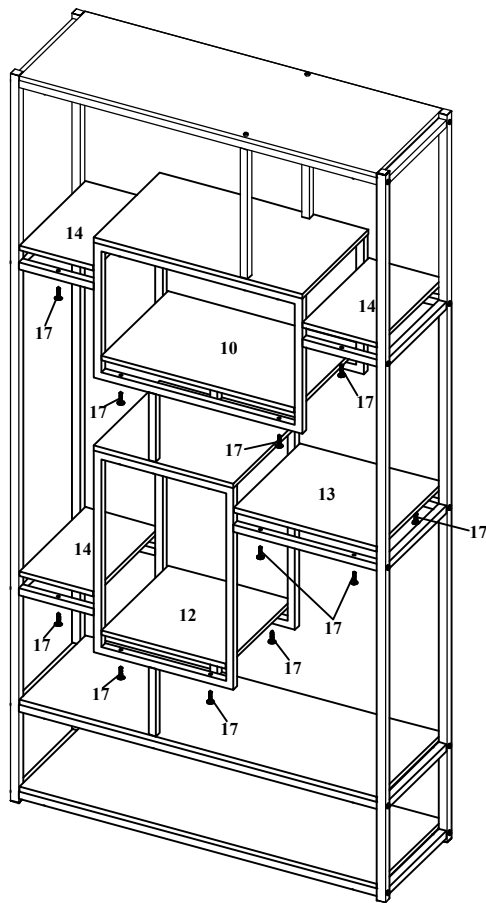
Step 6: Attach Shelf B (9) to Frame A (6) by using Screw (17) , attach the Rail A (3) to Frame A (6) by using Bolt (18) as picture shown.



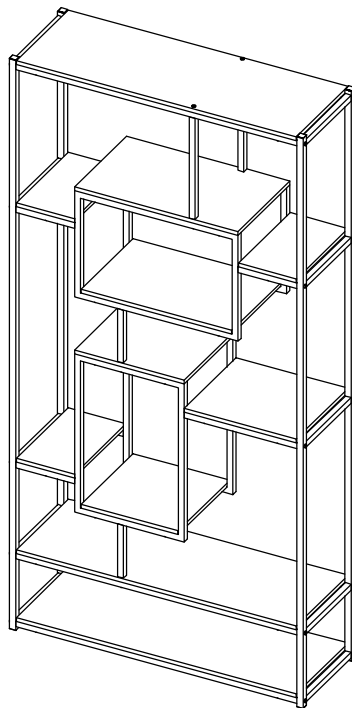
Step 7: Attach the Rail B (4) to LSF/RSF Frame (1,2) using Bolt (18) as picture shown.



Step 8: Attach the Shelf A (8) to Rail B (4) by using Screw (17). Screw the Bolt (18) to Rail A (3) as picture shown. Secure all bolts and screws with an Allen Key (19).



Step 5: Align and attach Shelf C (10) and Shelf G (14) to Frame A (6) by using Screw (17) , align and attach Shelf E (12) and Shelf F (13) and Shelf G (14) to Rail (5) by using Screw (17). Secure all screws with an Allen Key (19).



Complete. Congratulations on your assemble success.