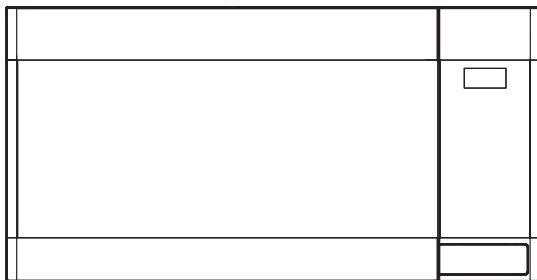


Blomberg[®]

seit 1883

Over The Range Microwave Oven

User Manual



BOTR30102SS

EN|FR



Please read this manual first!

Dear Customer,

Thank you for preferring a Blomberg product. We hope that you get the best results from your product which has been manufactured with high quality and state-of-the-art technology. Therefore, please read this entire user manual and all other accompanying documents carefully before using the product and keep it as a reference for future use. If you handover the product to someone else, give the user manual as well. Follow all warnings and information in the user manual.

Remember that this user manual is also applicable for several other models. Differences between the models are explicitly described in the manual.

PRECAUTIONS TO AVOID POSSIBLE EXPOSURE TO EXCESSIVE MICROWAVE ENERGY

- Do not attempt to operate this oven with the door open since open-door operation can result in harmful exposure to microwave energy. It is important not to defeat or tamper with the safety interlocks.
- Do not place any object between the oven front face and the door or allow soil or cleaner residue to accumulate on sealing surfaces.
- Do not operate the microwave oven if it is damaged. It is particularly important that the microwave oven door close properly and that there is no damage to the: (1) door (bent), (2) hinges and latches (broken or loosened), (3) door seals and sealing surfaces.
- The microwave oven should not be adjusted or repaired by anyone except properly qualified service personnel.

CONTENTS

PRECAUTIONS TO AVOID POSSIBLE EXPOSURE TO EXCESSIVE MICROWAVE ENERGY2

1 IMPORTANT SAFETY

INSTRUCTIONS4

FEDERAL COMMUNICATIONS COMMISSION

RADIO FREQUENCY INTERFERENCE

STATEMENT6

2 INSTALLATION GUIDE7

Examine the Oven After Unpacking7

Check the Parts7

Location7

Power Supply8

GROUNDING INSTRUCTIONS9

Critical Usage Warnings9

3 SPECIFICATIONS10

4 FEATURES DIAGRAM11

5 OPERATION PROCEDURE15

To Set Power Level15

6 CONTROLS16

Setting the Clock16

Kitchen Timer Mode16

How to Use as a Minute Timer16

How to Use to Delay the Start of Cooking16

How to Use to Set a Holding Time17

Time Defrosting17

Weight Defrosting17

Melt/Soften17

Keep Warm18

Time Cook18

Cooking in Two Stages18

Defrosting + Cooking18

Cooking + Cooking19

+30 Sec19

Express Cook19

One Touch Cook (Preset)19

Beverage20

Sensor Operations20

Using Sensor Settings20

Covering Foods21

Sensor Cook21

Sensor Cook Chart22

Turntable On-Off22

Vent Fan22

Cooktop Light23

Mute23

Filter Reset23

To Set Power Save Mode23

Child Safety Lock23

To Stop the Oven While the Oven is Operating23

Metal Rack24

7 CARE AND CLEANING25

Microwave Oven Interior25

Oven Bottom25

Glass Tray/Turntable25

Metal Rack25

Roller Guide25

Oven Exterior25

Light Compartment25

Control Panel25

Waveguide Cover26

The Exhaust Feature26

Reusable Grease Filters26

To Remove Grease Filter26

To Clean Grease Filter26

To Replace Grease Filter26

Light Replacement27

Install/Replace Charcoal Filter28

8 BEFORE YOU CALL29

9 QUESTIONS AND ANSWERS31

10 COOKING INSTRUCTIONS33

Utensil Guide33

Use Your Microwave Oven Safely35

Arcing35

Microwaving Principles36

How Microwaves Cook Food36

Conversion Chart36

Cooking Techniques37

Arranging37

Defrosting Guide38

Quantity38

Piercing38

Covering38

Defrosting Chart (By Time Defrost)39

Cooking Chart40

Reheating41

Reheating Chart41

Vegetable42

Fresh Vegetables Cooking Chart42

Frozen Vegetables Cooking Chart43

IMPORTANT SAFETY INSTRUCTIONS

When using electrical appliances, basic safety precautions should be followed, including the following:

WARNING - To reduce the risk of burns, electric shock, fire, injury to persons or exposure to excessive microwave energy:

1. Read all instructions before using the appliance.
2. Read and follow the specific "PRECAUTIONS TO AVOID POSSIBLE EXPOSURE TO EXCESSIVE MICROWAVE ENERGY" on page 2.
3. This appliance must be grounded. Connect only to properly grounded outlet. See "GROUNDING INSTRUCTIONS" on page 9.
4. Install or locate this appliance only in accordance with the provided installation instructions.
5. Some products such as whole eggs and sealed containers—for example, closed glass jars are able to explode and should not be heated in this oven.
6. Use this appliance only for its intended use as described in this manual. Do not use corrosive chemicals or vapors in this appliance. This type of oven is specifically designed to heat, cook or dry food. It is not designed for industrial or laboratory use.
7. **HOT CONTENTS CAN CAUSE SEVERE BURNS. DO NOT ALLOW CHILDREN TO USE THE MICROWAVE.** Use caution when removing hot items.
8. Do not operate this appliance if it has a damaged cord or plug, if it is not working properly, or if it has been damaged or dropped.
9. This appliance should be serviced only by qualified service personnel. Contact nearest Authorized Servicer for examination, repair or adjustment.
10. Do not cover or block any openings on the appliance.
11. Do not store this appliance outdoors. Do not use this product near water—for example, near a kitchen sink, in a wet basement, near a swimming pool, or similar locations.
12. Do not immerse cord or plug in water.
13. Keep cord away from heated surfaces.
14. Do not let cord hang over edge of table or counter.
15. When cleaning surfaces of door and oven that come together upon closing the door, use only mild, nonabrasive soaps or detergents applied with a sponge or soft cloth.
16. To reduce the risk of fire in the microwave oven cavity:
 - a. Do not overcook food. Carefully attend to appliance when paper, plastic or other combustible materials are placed inside the microwave oven to facilitate cooking.
 - b. Remove wire twist-ties from paper or plastic bags before placing bag in microwave oven.
 - c. **If materials inside the microwave oven should ignite, keep microwave oven door closed, turn microwave oven off and disconnect the power cord or shut off power at the fuse or circuit breaker panel.**
 - d. Do not use the cavity for storage purposes. Do not leave paper products, cooking utensils or food in the cavity when not in use.
17. Liquids, such as water, coffee or tea are able to be overheated beyond the boiling point without appearing to be boiling due to

IMPORTANT SAFETY INSTRUCTIONS

surface tension of the liquid. Visible bubbling or boiling when the container is removed from the microwave oven is not always present. **THIS COULD RESULT IN VERY HOT LIQUIDS SUDDENLY BOILING OVER WHEN A SPOON OR OTHER UTENSIL IS INSERTED INTO THE LIQUID.**

To reduce the risk of injury to persons:

- a. Do not overheat the liquid.
 - b. Stir the liquid both before and halfway through heating it.
 - c. Do not use straight-sided containers with narrow necks. Use a wide-mouthed container.
 - d. After heating, allow the container to stand in the microwave oven at least for 20 seconds before removing the container.
 - e. Use extreme care when inserting a spoon or other utensil into the container.
18. Do not use this microwave oven to heat corrosive chemicals (for example, sulfides and chlorides). Vapors from such corrosive chemicals may interact with the contact and springs of the safety interlock switches thereby rendering them inoperable.
 19. Never heat oil or fat for deep frying as you cannot control the temperature and doing so may lead to overheating and fire.
 20. Do not operate the oven without the glass tray in place. Be sure it is properly sitting on the rotating base.
 21. Use care when cleaning the vent hood filters. Corrosive cleaning agents such as lye-based oven cleaners may damage the filters.
 22. Clean the ventilating hood frequently. Do not allow grease to accumulate on the hood or the filters.
 23. Suitable for use above both gas and electric cooking equipment up to 30 inches wide.
 24. Do not use this oven for commercial purposes. It is designed for household use only.
 25. When flaming foods under the hood, turn the fan on. Keep the area under the hood properly ventilated at all times. Turn off cooking equipment if you see flames or a fire occurs.

SAVE THESE INSTRUCTIONS

IMPORTANT SAFETY INSTRUCTIONS

FEDERAL COMMUNICATIONS COMMISSION RADIO FREQUENCY INTERFERENCE STATEMENT

WARNING

This equipment generates and uses ISM frequency energy and if not installed and used properly, that is in strict accordance with the manufacturer's instructions, may cause interference to radio and television reception.

It has been type-tested and found to comply with limits for an ISM Equipment pursuant to part 18 of FCC Rules, which are designed to provide reasonable protection against such interference in a residential installation.

However, there is no guarantee that interference will not occur in a particular installation.

If this equipment does cause interference to radio or television reception, which can be determined by turning the equipment off and on, the user is encouraged to try to correct the interference by one or more of the followings.

- Reorient the receiving antenna of radio or television.
- Relocate the Microwave oven with respect to the receiver.
- Move the microwave oven away from the receiver.
- Plug the microwave oven into a different outlet so that microwave oven and receiver are on different branch circuits.

THE MANUFACTURER is not responsible for any radio or TV interference caused by UNAUTHORIZED MODIFICATION to this microwave oven. It is the responsibility of the user to correct such interference.



2 INSTALLATION GUIDE

Examine the Oven After Unpacking

Unpack the oven, remove all packaging material and examine the oven for any damage such as dents on the interior or exterior of the oven, broken door latches, cracks in the door, or a door that is not lined up correctly. If there is any damage, do not operate the oven and notify your dealer immediately.

Check the Parts

Carefully unpack your microwave oven, and make sure you've received all the parts shown below. If your microwave oven was damaged during shipping, or if you do not have all the parts, contact Blomberg.




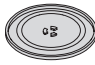


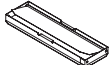
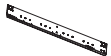



Image	Part & Description	Qty.
	Guide Roller Ring	1
	Grease Filters	2
	Grease Filter Holders	2
	Glass Turntable	1

Image	Part & Description	Qty.
	Hardware Kit (Screws)	1
	Metal Rack	1
	Damper (Exhaust Adapter)	1
	Mounting Plate	1
	Top Cabinet Template	1
	Rear Wall Template	1
	Installation Guide	1
	User Manual	1

Location

- The installation of this appliance must be performed by a qualified technician or service company. Failing to have a qualified technician install the oven may result in electric shock, fire, an explosion, problems with the product, or injury.
- Do not install this appliance in a humid, oily, or dusty location, or in a location exposed to direct sunlight or water (rain drops).
- Plug the power plug into the wall socket firmly. Do not use a damaged power plug, damaged power cord, or loose wall socket.
- Do not mount over a sink.
- Do not stand on top of the microwave or place objects (such as laundry, oven covers, lighted candles, lighted cigarettes, dishes, chemicals, metal objects, etc.) on the appliance. This may result in electric shock, fire, problems with the product, or injury.

2 INSTALLATION GUIDE

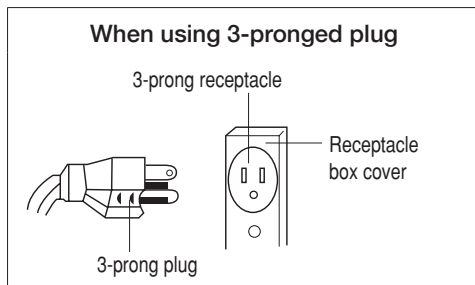
Power Supply

- Check your local power source.

This microwave oven requires a current of approximately 15 amperes, 120Volts, 60Hz and a grounded outlet.

- a. A short power-supply cord is provided to reduce the risks of the user becoming entangled in or tripping over a longer cord.
 - b. Longer cord sets or extension cords are available and may be used if care is exercised in their use.
 - c. If a long cord or extension cord is used:
 - The marked electrical rating of the cord set or extension cord should be at least as great as the electrical rating of the oven.
 - The extension cord must be a grounding type 3-wire cord.
 - The longer cord should be arranged so that it will not drape the table top or counter where it can be pulled on by children or tripped over unintentionally.
- Check power cord and outlet.
 - a. Remove all foreign substances such as dust or water from the power plug terminals and contact points using a dry cloth on a regular basis.
 - b. Unplug the power plug and clean it with a dry cloth.
 - c. Plug the power cord into a properly grounded 3-pronged outlet. Your oven should be the only appliance connected to this circuit.

- d. Sharing a wall socket with other appliances, using a power strip, or extending the power cord may result in electric shock or fire.
- e. Do not use an electric transformer. It may result in electric shock or fire.
- f. Ensure that the voltage, frequency and current provided match the product's specifications.



THE CANADIAN ELECTRICAL CODE DOES NOT ALLOW THE USE OF THE GROUNDING ADAPTOR.

GROUNDING INSTRUCTIONS

This appliance must be grounded. In the event of an electrical short circuit, grounding reduces the risk of electric shock by providing an escape wire for electric current. This appliance is equipped with a cord having a grounding wire with a grounding plug. The plug must be plugged into an outlet that is properly installed and grounded.

WARNING

Improper use of the grounding can result in a risk of electric shock. Consult a qualified electrician or serviceman if the grounding instructions are not completely understood, or if doubt exists as to whether the appliance is properly grounded, and either

1. If it is necessary to use an extension cord, use only a 3-wire extension cord that has a 3-blade grounding plug, and a 3-slot receptacle that will accept the plug on the appliance. The marked rating of the extension cord shall be equal to or greater than the electrical rating of the appliance, or
2. Do not use an extension cord. If the power supply cord is too short, have a qualified electrician or serviceman install an outlet near the appliance.

WARNING

Do not cut or remove the third (ground) prong from the power cord under any circumstances.

Critical Usage Warnings

If the microwave appliance is flooded, please contact your nearest service center. Failing to do so may result in electric shock or fire.

Read and follow the specific "PRECAUTIONS TO AVOID POSSIBLE EXPOSURE TO EXCESSIVE MICROWAVE ENERGY" found on page 2.

If the microwave generates a strange noise, a burning smell or smoke, unplug it immediately and contact your nearest service center.

- In the event of a gas leak (propane gas, LP gas, etc.), ventilate the room immediately. Do not touch the microwave, power cord, or plug.
- Do not use a ventilating fan.
- A spark may result in an explosion or fire.

Take care that the door or any of the other parts do not come into contact with your body while cooking or just after cooking.

- In the event of a grease fire on the surface units below the oven, smother the flaming pan on the surface unit by covering the pan completely with a lid, a cookie sheet or a flat tray.

Never leave surface units beneath your oven unattended at high heat settings. Boilovers cause smoking and greasy spills that may ignite and spread if the vent fan is operating. To minimize automatic fan operation, use adequate sized cookware. Use high heat on surface units only when necessary.

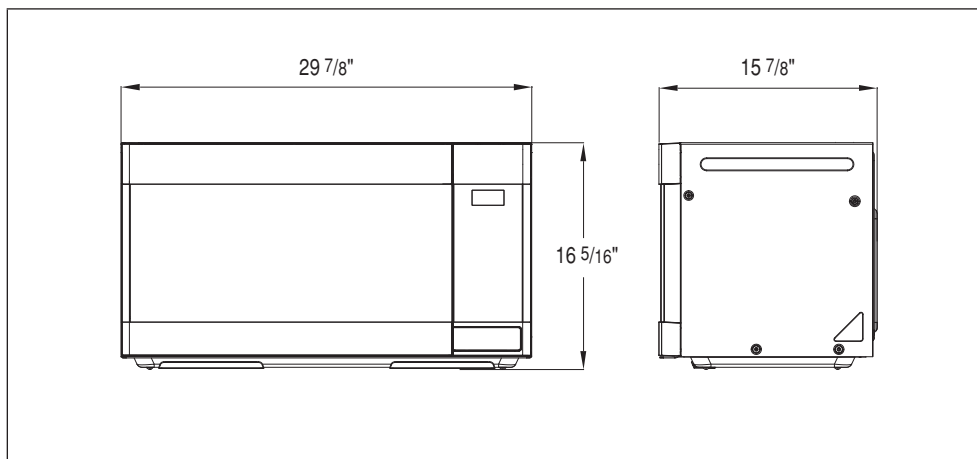
If materials inside the oven should ignite, keep the oven door closed, turn the oven off and disconnect the power cord, or shut off power at the fuse or circuit breaker panel. If the door is opened, the fire may spread.

- Always observe Safety Precautions when using your oven. Never try to repair the oven on your own. There is dangerous voltage inside. If the oven needs to be repaired, contact an authorized service center near you.

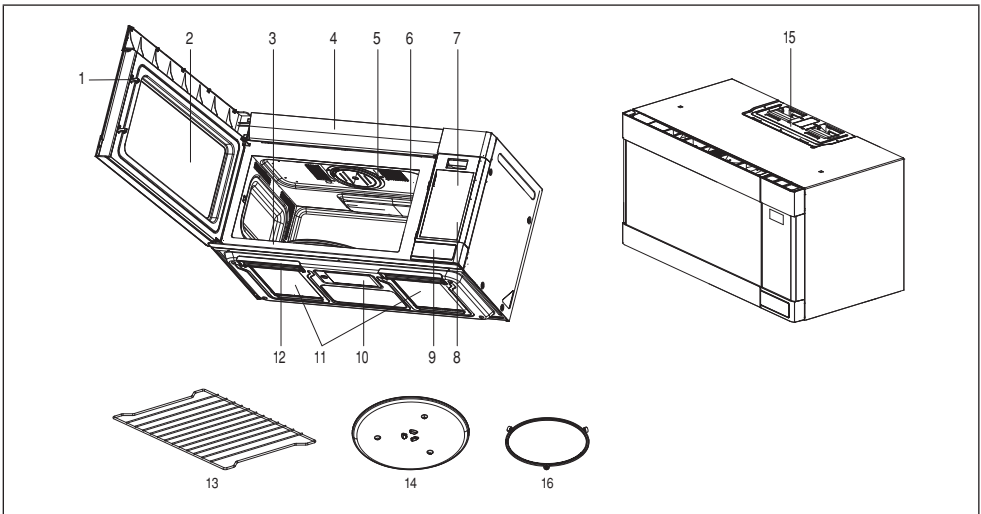
3 SPECIFICATIONS

Power Supply		120V AC, 60Hz single phase with grounding
Microwave	Input Power	1500 W
	Energy Output	950 W
	Frequency	2450 MHz
Outside Dimensions (W x H x D)		29 7/8" x 16 5/16" x 15 7/8"
Cavity Dimensions (W x H x D)		19 13/16" x 10" x 14 7/8"
Cavity Volume		1.6 cu. ft.
Net Weight		Approx. 50.3 LBS
Timer		99 min. 99 sec.
Power Selections		10 levels

Specifications are subject to change without notice.



4 FEATURES DIAGRAM



1. Door Latches

2. Window With Metal Shield

Screen allows cooking to be viewed while keeping microwaves confined in oven.

3. Model Number Plate - Located on the front wall of the microwave oven.

4. Charcoal Filter - Behind Vent Grille

5. Oven Light

6. Waveguide Cover - Protects the microwave outlet from splashes of cooking foods.

7. Touch Control Panel and Digital Display - For detailed information on each feature, see Features Diagram section, pages 12-14.

8. Hood Controls

Vent fan - Press High, Low or Off.

Light - Press On or Off.

9. Door Button

To open the door push the door open button.

10. Cocktop Light

11. Grease Filters

12. Handle Filters - Use to insert Grease filters.

13. Metal Rack - Use for extra space when cooking with more than one container at the same time.

14. Turntable / Glass Tray - Composed of glass tray and roller guide. The roller guide is placed first in the bottom of the microwave and supports the glass tray. Both parts must be in place when using the microwave oven.

15. Ventilation Motor - Your microwave oven is designed for adaptation to the following three types of ventilation.

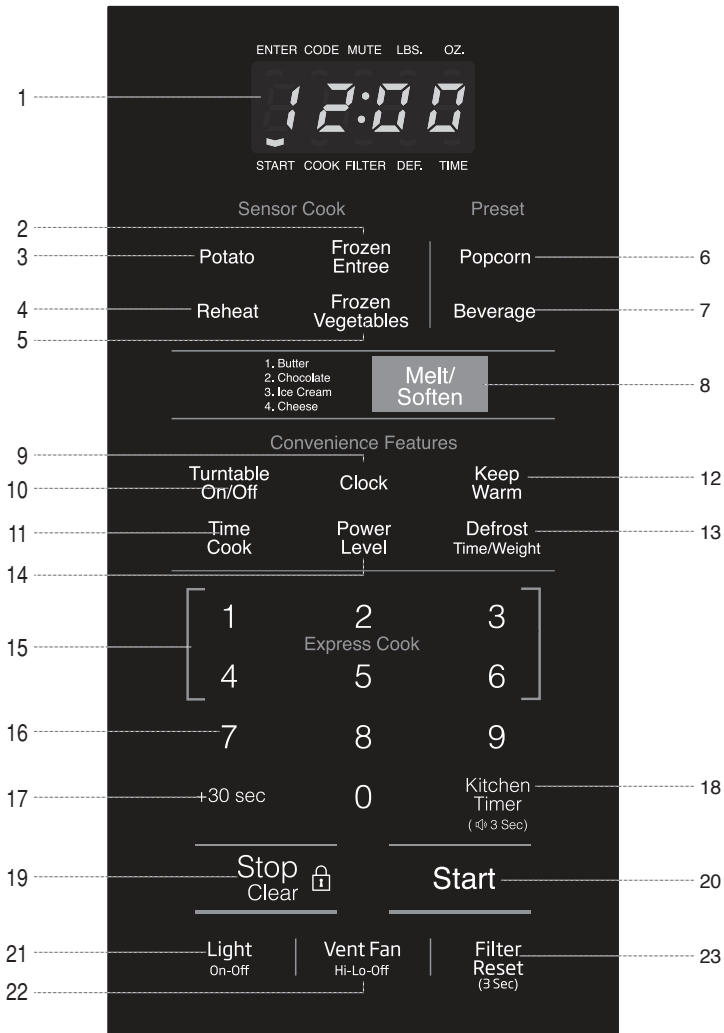
(Recirculation ventilation system, Vertical ventilation system, Horizontal ventilation system)

See installation manual to select the type of ventilation required for your installation.

16. Guide Roller Ring

4 FEATURES DIAGRAM

The Touch Control Panel allows you to set the oven controls with the press of a finger. It's designed to be easy to use and understand.



- Each time a pad is pressed, a beep will sound.
- When **STOP/CLEAR** Pad is pressed during oven operation, the oven will stop; however, all programmed information is retained. To clear all information, press the **STOP/CLEAR** Pad again.

4 FEATURES DIAGRAM

1. **DISPLAY** - Displays time of day, time or power level being used, cooking mode and instructions.
2. **FROZEN ENTREE** - Press this pad to cook Frozen Entrees. The microwave oven sensor will automatically adjust the cooking time to the type and amount of food.
3. **POTATO** - Press this pad to cook a potato. The microwave oven sensor will automatically adjust the cooking time to the type and amount of food.
4. **REHEAT** - Press this pad to reheat food. The microwave oven sensor will automatically adjust the cooking time to the type and amount of food.
5. **FROZEN VEGETABLES** - Press this pad to cook Frozen Vegetables. The microwave oven sensor will automatically adjust the cooking time to the type and amount of food.
6. **POPCORN** - Press this pad to cook prepackaged microwave Popcorn weight 3.5/3.0/1.75 ounces.
7. **BEVERAGE** - Press this pad to reheat a beverage.
8. **MELT/SOFTEN** - Press this pad to melt or soften Butter, Chocolate, Ice Cream and Cheese.
9. **CLOCK** - Press this pad to enter time of day.

Also press and hold this pad for 3 seconds to set power save mode. For detailed information on this feature, see Controls section, page 23.
10. **TURNTABLE ON-OFF** - Press this pad to turn turntable on or off.
11. **TIME COOK** - Press this pad to set the Microwave cooking time.
 - Power Level 10 (High) is automatic but lower heat levels may be programmed.
12. **KEEP WARM** - Press this pad and safely keep food warm for up to 30 minutes.
13. **DEFROST** - Press this pad to set defrosting time or defrosting weight.
14. **POWER LEVEL** - Press this pad if you want to change from automatic Power Level 10 (High) for cooking.
15. **EXPRESS COOK** - Press these pads to set 1-6 minutes preset cooking time at 100% power level.
16. **NUMBER PADS** - Press these pads to enter cooking time, defrosting time or weight, time of day, power level.
17. **+30 SEC** - Press this pad for 30 seconds instant "ON" cooking time or to add 30 seconds of cooking time as the timer is counting down.
18. **KITCHEN TIMER** - Press this pad to use as a minute timer, delay cooking, hold setting after cooking.

Also press and hold this pad for 3 seconds to set sound on/off. For detailed information on this feature, see Controls section, page 23.
19. **STOP/CLEAR** - When pressed once, it pauses the oven operation. When pressed twice, it resets the oven and erases all settings (except time of day).

Also press and hold this pad for 3 seconds to set child safety lock function. For detailed information on this feature, see Controls section, page 23.

4 FEATURES DIAGRAM

20. START - After all selections are made, press this pad to start the oven or timer.
21. LIGHT - Press this pad to turn on or off the cooktop light.
22. VENT FAN - Press this pad to turn the fan on high, low or off.
23. FILTER RESET - Press and hold this pad for 3 seconds to reset time after replacing the filter.

Charcoal filters must be replaced every 6 months.

5 OPERATION PROCEDURE

This section includes useful information about oven operation.

1. Plug power supply cord into a standard 3-pronged 15 Amp 120V AC 60Hz power outlet.
2. After placing the food in a suitable container, open the oven door and put it on the glass tray. The glass tray and roller guide must always be in place during cooking.
3. Close the door. Make sure that it is firmly closed.
4. The oven light is on when the microwave oven is operating.
5. The oven door can be opened at any time during operation by pushing the door open button of the control panel. The oven will automatically stop.
6. Each time a pad is pressed, a beep will sound to acknowledge the press.
7. The oven automatically cooks on full power unless set to a lower power level.
8. The display will show “ : 0” when the oven CLOCK is not set.
9. Time clock returns to the present time when the cooking time ends.
10. When the **STOP/CLEAR** pad is pressed during oven operation, the oven stops cooking and all information is retained. To erase all information (except the present time), press the **STOP/CLEAR** pad once more. If the oven door is opened during oven operation, all information is retained.
11. If the **START** pad is pressed and the oven does not operate, check the area between the door and door seal for obstructions and make sure the door is closed securely. The oven will not start cooking until the door is completely closed or the program has been reset.

Make sure the oven is properly installed and plugged into the electrical outlet.

To Set Power Level

The power level is set by pressing the **POWER LEVEL** pad and number pad. If you wish to use a different power level, press the **POWER LEVEL** pad before pressing **START** pad. Enter the power level desired by pressing the appropriate number pad. The chart shows the display, the power level and the percentage of power.

Press Power Level Pad + Number	Power Level (Display)	Approx.% of Power
Power Level + 1 + 0	PL10	100%
Power Level + 9	PL-9	90%
Power Level + 8	PL-8	80%
Power Level + 7	PL-7	70%
Power Level + 6	PL-6	60%
Power Level + 5	PL-5	50%
Power Level + 4	PL-4	40%
Power Level + 3	PL-3	30%
Power Level + 2	PL-2	20%
Power Level + 1	PL-1	10%
Power Level + 0	PL-0	0%

NOTE: If “PL-0” is selected, the oven will work with the fan but no power. You can use this level to remove odors.

Setting the Clock

When the oven is first plugged in, the display will show " : 0" and a tone will sound. If the AC power ever goes off, the display shows " : 0" when the power comes back on.

1. Press the **CLOCK** pad.
This is a 12 hour clock system.
2. Press the **CLOCK** pad once more.
This is a 24 hour clock system.
3. Enter the correct time of day by pressing the number pads in sequence.
4. Press the **CLOCK** pad.

The ENTER, TIME indicators blink and "12H" is displayed.

NOTE: This oven has multiple clock systems. If you want a 12 hour clock system, omit step 2.

The display stops blinking, and the colon starts blinking. If you selected a 12 hour clock system, this digital clock allows you to set from 1:00 to 12:59. If you selected a 24 hour clock system, this digital clock allows you to set from 0:00 to 23:59.

NOTE:

1. If you attempt to enter an incorrect time, the time will not be set and an error signal tone will sound. Press the CLOCK pad and re-enter the time.
2. If you want to set power save mode, press and hold the CLOCK pad for 3 seconds. For detailed information on this feature, see Controls section, page 23.

Kitchen Timer Mode

Timer operates as a minute timer. Timer operates without microwave energy.

How to Use as a Minute Timer

1. Press **KITCHEN TIMER** pad.
2. Press the amount of time you want to count down.
3. Press **START** pad.

The ENTER, TIME indicators blink and " : 0" is displayed.

When you press the START pad, the TIME indicator starts blinking and the display counts down the time remaining in KITCHEN TIMER mode. When KITCHEN TIMER mode ends, you will hear 3 beeps.

NOTE: If you want to turn sound on or off, press and hold KITCHEN TIMER pad for 3 seconds. For detailed information on this feature, see Controls section, page 23.

How to Use to Delay the Start of Cooking

1. Press **KITCHEN TIMER** pad.
2. Press the amount of time you want to delay.
3. Press **TIME COOK** pad to program the desired cooking time for food to be cooked.
4. Press **START** pad.

The ENTER, TIME indicators blink and " : 0" is displayed.

When you press the START pad, the TIME indicator starts blinking and the display counts down the time remaining in KITCHEN TIMER mode. When KITCHEN TIMER mode ends, the oven will beep. The TIME indicator goes off and COOK indicator starts blinking. The display counts down the time remaining in MICROWAVE mode. When MICROWAVE cook ends, you will hear 3 beeps.

How to Use to Set a Holding Time

1. Press **TIME COOK** pad to program the desired cooking time for food to be cooked.
2. Press **KITCHEN TIMER** pad.
3. Press the amount of time you want the oven to hold.
4. Press **START** pad.

The ENTER, TIME indicators blink and “ : 0” is displayed.

When you press the START pad, the COOK indicator starts blinking and the display counts down the time remaining in MICROWAVE mode. When the MICROWAVE cook ends, the oven will beep. The COOK indicator goes off and TIME indicator starts blinking. The display counts down the time remaining in KITCHEN TIMER mode. When the KITCHEN TIMER mode ends, you will hear 3 beeps.

NOTE: Your oven can be programmed for 99 minutes 99 seconds (99:99).

Time Defrosting

When TIME DEFROST is selected, the automatic cycle divides the defrosting time into periods of alternating defrost and stand times by cycling on and off.

1. Press **DEFROST** pad once.
2. Press number pads for the desired defrosting time.
3. Press **START** pad.

The DEF indicator lights and ENTER, TIME indicators blink, “ : 0” is displayed.

When you press the START pad, the DEF indicator starts blinking to show the oven is in the TIME DEFROST mode. The display counts down the time to show you how much defrosting time is left

in the TIME DEFROST mode. The oven beeps during the defrosting cycle to signal that the food needs to be turned or rearranged. When the defrosting time ends, you will hear 3 beeps.

NOTE: Your oven can be programmed for 99 minutes 99 seconds (99:99).

Weight Defrosting

WEIGHT DEFROST lets you easily defrost food by eliminating guesswork in determining defrosting time.

Follow the steps below for easy defrosting.

1. Press **DEFROST** pad twice.
2. Press number pads for the desired defrosting weight.
3. Press **START** pad.

The DEF indicator lights and ENTER, LBS indicators blink, "0.0" is displayed.

The defrosting time is automatically determined by the weight selected.

When you press the START pad, the DEF indicator starts blinking and the defrosting time counts down in the display window. The oven beeps during the defrosting cycle to signal that the food needs to be turned or rearranged. When the defrosting time ends, you will hear 3 beeps.

NOTE: Your oven can be programmed for 0.2 to 6.0 lbs.

Melt/Soften

The MELT/SOFTEN feature can be used to melt or soften butter, chocolate, ice cream and cheese. See the chart for specific settings to use.

1. Press **MELT/SOFTEN** pad once for butter, twice for chocolate, three times for ice cream, four times for cheese.
2. Press **START** pad.

6 CONTROLS

Melt/Soften Item Chart

Press Pad	Display	Soften Item	Weight
Once	S-1	Butter	1/2 cup
Twice	S-2	Chocolate	8 oz
Three Times	S-3	Ice Cream	1/2 gallon
Four Times	S-4	Cheese	1 plate

Keep Warm

KEEP WARM feature maintains food at a warm temperature for 30 minutes.

1. Press **KEEP WARM** pad.
2. Press **START** pad.

When pressing KEEP WARM pad, the display shows "30:00".

When the cooking time ends, you will hear 3 beeps.

Time Cook

1. Press **TIME COOK** pad.
2. Press number pads for the cooking time.
3. Press **POWER LEVEL** pad.
4. Press number pads for power level (0~10).
5. Press **START** pad.

The COOK indicator lights and ENTER, TIME indicators blink., " : 0" is displayed.

The display will show what you pressed.

The display will show PL10 for 100% power.

The display will show PL-0 ~ PL10.

If you skip steps 3 and 4, 100% power is automatic.

When you press START pad, the COOK indicator starts blinking to show the oven is cooking.

The display counts down the time to show how

much cooking time is left. When the cooking time ends, you will hear 3 beeps.

NOTE:

- Your oven can be programmed for 99 minutes 99 seconds (99:99).
- Using lower power levels increases the cooking time which is recommended for foods such as cheese, milk and slow cooking of meats.

Cooking in Two Stages

This feature lets you program two sequential operations such as defrosting and cooking or cooking using two different power levels. It automatically changes power settings and cooking time.

Defrosting + Cooking

1. Press **DEFROST** pad once.
2. Press number pads for the desired defrosting time.
3. Press **TIME COOK** pad.
4. Press number pads for the cooking time.
5. Press **POWER LEVEL** pad.
6. Press number pads for power level (0~10).
7. Press **START** pad.

The DEF indicator lights and ENTER, TIME indicators blink, " : 0" is displayed.

The display will show what you pressed.

The COOK indicator lights and ENTER, TIME indicators blink., " : 0" is displayed.

The display will show what you pressed.

The display will show PL10 for 100% power.

The display will show PL-0 ~ PL10.

If you skip steps 5 and 6, 100% power is automatic.

When you press the START pad, the DEF and COOK indicators come on to confirm the power levels selected. The DEF indicator starts blinking

6 CONTROLS

to show you that the oven is in TIME DEFROST mode.

The display counts down the time remaining in TIME DEFROST mode. When the oven beeps, turn over, break apart and/or redistribute the food. At the end of TIME DEFROST mode, the oven will beep and start MICROWAVE cook.

The DEF indicator goes off and the COOK indicator starts blinking. The display counts down the time remaining in MICROWAVE mode. When MICROWAVE cook ends, you will hear 3 beeps.

NOTE: Your oven can be programmed for 99 minutes 99 seconds (99:99).

Cooking + Cooking

1. Press **TIME COOK** pad.
2. Press number pads for the cooking time.
3. Press **TIME COOK** pad.
4. Press number pads for the cooking time.
5. Press **POWER LEVEL** pad.
6. Press number pads for power level (0~10).
7. Press **START** pad.

COOK indicator lights and ENTER, TIME indicators blink. “ : 0” is displayed.

The display will show what you pressed.

The COOK indicator lights and ENTER, TIME indicators blink., “ : 0” is displayed.

The display will show what you pressed.

The display will show PL10 for 100% power.

The display will show PL-0 ~ PL10.

If you skip steps 5 and 6, 100% power is automatic.

When you press the START pad, the COOK indicator starts blinking to show the oven is in cook mode for stage 1.

At the end of stage 1, the oven will beep and start stage 2. The display counts down the time

remaining in stage 2 mode. When stage 2 ends, you will hear 3 beeps.

NOTE: Your oven can be programmed for 99 minutes 99 seconds (99:99).

+30 Sec

+30 SEC allows you to reheat for 30 seconds at 100% (full power) by simply pressing the +30 sec pad. By repeatedly pressing the +30 sec pad, you can also extend reheating time to 99 minutes 99 seconds by 30 second increments.

- Press the **+30 SEC** pad.

When you press the +30 SEC pad, “:30” is displayed and the oven starts reheating.

NOTE: +30 SEC cannot be used while the sensor is detecting the vapor emitted from the food during sensor cooking such as Potato, Frozen Entree, Frozen Vegetables or Sensor Reheat.

Express Cook

EXPRESS COOK is a quick way to set cooking time from 1-6 minutes at 100% (full power).

- Press one of the EXPRESS COOK pads (from 1-6) for 1-6 minutes of cooking at 100% (full power).

After 1.5 seconds, the display is changed into cooking time and the oven starts cooking.

One Touch Cook (Preset)

ONE TOUCH cooking allows you to cook or reheat many of your favorite foods by pressing just one pad.

To increase quantity, press the chosen pad until the number in the display is the same as desired quantity to cook.

1. Press **POPCORN** pad once for 3.5 oz bag, twice for 3.0 oz bag or three times for 1.75 oz bag.
2. Press **START** pad.

6 CONTROLS

When you press POPCORN pad once, “3.5” is displayed.

NOTE:

1. Use prepackaged room-temperature microwave popcorn.
2. Place bag in oven according to manufacturer's directions.
3. Pop only one bag at a time.
4. After popping, open bag carefully: popcorn and steam are extremely hot.
5. Do not reheat unpopped kernels or reuse bag.
6. Do not leave oven unattended while popping popcorn.

CAUTION

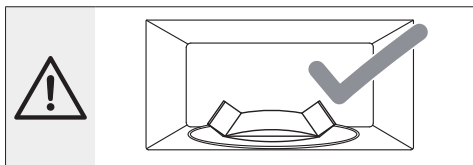
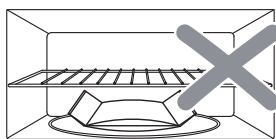
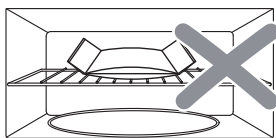
If prepackaged popcorn is of a different weight than the recommended weight, do not use the popcorn pad. Follow the manufacturer's instruction.

WARNING

DO NOT leave the microwave oven unattended while popping corn.

When popping commercially packaged popcorn, remove the rack from the oven.

Do not place the bag of microwave popcorn on the rack or under the rack.



Beverage

1. Press **BEVERAGE** pad once for 1 cup, twice for 2 cups or three times for 3 cups.
2. Press **START** pad.

When you press BEVERAGE pad once, “1” is displayed.

BEVERAGE: 7 oz/cup (mug)

- 1 cup (7 oz total volume): Press **BEVERAGE** once.
- 2 cups (14 oz total volume): Press **BEVERAGE** twice.
- 3 cups (20 oz total volume): Press **BEVERAGE** three times.

Sensor Operations

The Sensor Cook categories are designed to detect the increasing humidity released by the food during the cooking process. The microwave oven sensor will automatically adjust the cooking time to the type and amount of food.

Using Sensor Settings

1. After the oven is plugged in, wait 2 minutes before using Sensor Cook.
2. Be sure the exterior of the cooking container and the interior of the oven are dry. Wipe off any moisture with a dry cloth or paper towel.
3. The oven works with foods at normal storage temperature.
4. More or less food than the quantity listed in the chart should be cooked following the guidelines in any microwave cookbook.

6 CONTROLS

5. Do not open the oven door or press STOP/CLEAR pad until cooking time appears on the display window. The measurement of vapor will be interrupted. If this occurs, an error message "Er01" will appear. To continue cooking, press the STOP/CLEAR pad and cook manually.

When the sensor detects the vapor emitted from the food, the remainder of cooking time will appear. The door may be opened when remaining cooking time appears on the display. At this time, you may stir or season food, as desired.

6. Always use microwave-safe containers and cover them with loose fitting lids or vented plastic wrap. Never use tight sealing plastic containers. They will prevent steam from escaping and this will mislead the sensor, usually causing the food to overcook.
7. Check food for temperature or doneness after cooking. If food is not completely cooked, enter additional cooking time manually. Do not use one of the Sensor Cook categories twice in succession on the same food portion. This may result in severely overcooked or burnt food.

Covering Foods

Some foods work best when covered. Use the cover recommended in the Sensor Cook Chart for these foods.

1. Casserole lid.
2. Plastic wrap: Use plastic wrap recommended for microwave cooking. Cover dish loosely; allow approximately 1/2 inch to remain uncovered to allow steam to escape. Plastic wrap should not touch food.
3. Wax paper: Cover dish completely; fold excess wrap under dish to secure. If dish is wider than paper, overlap two pieces at least one inch to cover.

Be careful when removing any covering to allow steam to escape away from you.

Sensor Cook

Sensor is a semi-conductor device that detects the vapor emitted from the food as it heats. The sensor adjusts the cooking time and power level for various food and quantities and you don't need to enter the weight or quantity of the food.

Potato

1. Press **POTATO** pad.
2. Press **START** pad.

When you press POTATO pad, "SCPO" is displayed.

When the sensor detects the vapor emitted from the food, the remainder of cooking time will appear.

Frozen Entree

1. Press **FROZEN ENTREE** pad.
2. Press **START** pad.

When you press FROZEN ENTREE pad, "SCFE" is displayed.

When the sensor detects the vapor emitted from the food, the remainder of cooking time will appear.

Frozen Vegetables

1. Press **FROZEN VEGETABLES** pad.
2. Press **START** pad.

When you press FROZEN VEGETABLES pad, "SCFU" is displayed.

When the sensor detects the vapor emitted from the food, the remainder of cooking time will appear.

Reheat

1. Press **REHEAT** pad.
2. Press **START** pad.

When you press REHEAT pad, "SrH" is displayed.

When the sensor detects the vapor emitted from the food, the remainder of cooking time will appear.

6 CONTROLS

Sensor Cook Chart

Press Pad	Display	Weight	Comments
Potato	SCPO	8 - 24 oz	Before cooking, pierce potato skin with fork 5-6 times. Place potatoes on the turntable.
Frozen Entree	SCFE	8 - 32 oz	Follow the directions that are specific for the microwave oven that are printed on the packaging.
Frozen Vegetables	SCFU	6 - 16 oz	2-4 tbsp water per serving. Cover with lid or vented plastic wrap.
Reheat	SrH	4 - 36 oz	For casseroles, add 2-3 tbsp water, cover with lid or vented plastic wrap. The food type to avoid: beverage, frozen pizza or frozen food, raw food, biscuits and cake.

NOTE:

Do not use the SENSOR COOK twice in succession on the same food portion.

This may result in severely overcooked or burnt food.

If additional time is needed after previous cooking, use one of the +30 SEC pad or TIME COOK pad.

- Use proper container and cover for best sensor cooking result.
- Always use microwave-safe containers and cover them with lid or vented plastic wrap. Never use tight sealing plastic containers—they can prevent steam from escaping and cause food to overcook.
- Be sure the outside of the cooking containers and the inside of the microwave oven are dry before placing food in the oven.

Turntable On-Off

For best cooking results, the turntable should be on. However, the turntable can be turned off so that it does not rotate when extra large dishes are used.

- Press **TURNTABLE ON-OFF** pad. The options are displayed for 2 seconds.

NOTE:

1. This option is not available in sensor cook, one touch cook, defrost and melt/soften modes.
2. Sometimes the turntable can become too hot to touch. Be careful touching the turntable during and after cooking.
3. Do not run the oven empty.

Vent Fan

The vent fan removes steam and other vapors from surface cooking. You can control the 2-speed fan by pressing the VENT FAN pad.

- Press **VENT FAN** pad once for high fan speed, twice for low fan speed or three times to turn the fan off. The options are displayed for 2 seconds.

NOTE:

1. High fan speed cannot be used together with microwave cooking.
2. An automatic fan feature protects the microwave from too much heat rising from the cooktop below it. It automatically turns on for low speed if it senses too much heat. If you have turned the fan on you may find that you cannot turn it off. The fan will automatically turn off when the internal parts are cool.

6 CONTROLS

3. If there is no user input for 10 hours, cooktop light and vent fan will turn off automatically to save energy.

Cooktop Light

You can control the light by pressing the LIGHT pad.

- Press **LIGHT** pad once to turn the light on or twice to turn the light off.

The options are displayed for 2 seconds.

NOTE: If there is no user input for 10 hours, cooktop light and vent fan will turn off automatically to save energy.

Mute

Audible signals are available to guide you when setting and using your oven.

- To mute, press **KITCHEN TIMER** pad for 3 seconds. The MUTE indicator lights. To turn sound on, press **KITCHEN TIMER** pad for 3 seconds. A beep sounds and the MUTE indicator will be turned off.

Filter Reset

If your oven is vented to the inside, the charcoal filter should be replaced approximately every 6 months. The charcoal filter cannot be cleaned.

The FILTER indicator will light up when it is time to replace the charcoal filter.

- Press and hold **FILTER RESET** pad for 3 seconds after replacing the filter. See page 28.

To Set Power Save Mode

1. Press the **STOP/CLEAR** pad. “:0” or clock appears in the display.
2. Press and hold the **CLOCK** pad for 3 seconds. The display will turn off and a beep sounds.

To operate the oven in power save mode, press any key.

Then “:0” or clock will be shown and the operation of all function keys will be same as in the normal mode.

But if there is no operation within 10 seconds in clear mode, all the contents of display will disappear.

3. To cancel power save mode simply repeat setting procedure when the display is on.

The power save mode will be canceled and a beep sounds. The oven is again available for normal use.

Child Safety Lock

Child safety lock feature may lock the control panel to prevent the oven from being accidentally started or used by children.

- To lock, press and hold **STOP/CLEAR** pad for 3 seconds.

A beep sounds and "Loc" will be displayed for 3 seconds.

- To unlock, press and hold **STOP/CLEAR** pad for 3 seconds. A beep sounds.

NOTE:

1. While the Child Lock is active, only the STOP/CLEAR pad works to unlock it.
2. Microwave oven cannot be used while Child Lock is activated.

To Stop the Oven While the Oven is Operating

1. Press the **STOP/CLEAR** pad.
 - You can restart the oven by pressing the START pad.
 - Press the STOP/CLEAR pad once more to erase all instructions.
 - You must enter in new instructions.

6 CONTROLS

2. Open the door.
 - You can restart the oven by closing the door and pressing the **START** pad.

NOTE: Oven stops operating when door is opened.

Metal Rack

The metal rack gives you extra space when cooking in more than one container at the same time.

The rack allows several foods to be cooked or reheated at one time.

However, for the best cooking and reheating, use **TURNTABLE ON** function and cook with **SENSOR COOK** modes without the rack. When the rack is used, set time and power level manually.

The oven is again available for normal use.

To avoid risk of property damage:

1. Do not use rack to pop popcorn.
2. Rack must be on the four plastic supports when used.
3. Use the rack only when cooking food on rack position.
4. Do not cook with rack on floor of the oven.

To use metal rack:

1. Place rack securely on the four plastic supports.

Rack **MUST NOT** touch metal walls or back of microwave oven.

Allow plenty of space around and between the dishes. Pay close attention to the cooking and reheating progress.

2. Place equal amounts of food both **ABOVE AND BELOW** rack.

Amount of food must be approximately the same to balance out cooking energy.

3. Reposition the foods and reverse them from the rack to turntable and stir them at least once during any cooking or reheating time.

After cooking or reheating, stir if possible. Using a lower power level will assist in better cooking and reheating uniformity.

IMPORTANT:

To avoid oven damage, **DO NOT** store or use the metal rack in this oven unless more than one item is being cooked or a recipe calls for it.

Recommended Usage

1. Soups
2. Casseroles
3. Dinner Plates

WARNING

The oven should be cleaned regularly and any food deposits removed.

Failure to maintain the oven in a clean condition could lead to deterioration of the surface that could adversely affect the life of the appliance and possibly result in a hazardous situation.



Microwave Oven Interior

Disconnect the power cord before cleaning or leave the door open to inactivate the oven during cleaning.

The oven interior should be cleaned after each use with a damp cloth to keep it free from grease and soil buildup. Stubborn soils can be removed with a plastic scrub pad. When cleaning interior surfaces and surfaces of door and oven that come together when the door is closed, use only mild, non-abrasive soaps or detergents applied with a sponge or soft cloth.

Odors can be eliminated from the inside of the oven by boiling a solution of one cup of water and several tablespoons of lemon juice in the oven for 5-7 minutes. This also helps loosen any dried soil in the oven. Wipe off excess moisture after use.

NOTE:

- Do not spray or pour liquid cleansers directly onto a surface. Spray or pour cleanser onto a cloth or sponge and then clean.
- Do not use abrasive cleaners, oven cleaners, abrasive cleaning pads or steel wool, as they can scratch or dull oven surfaces.
- Do not remove or insert knife around the stirrer cover to clean, it may damage the cover or affect the cooking performance of your oven.

Oven Bottom

Wash oven bottom with hot sudsy water, rinse and dry. Do not use excessive amounts of water when cleaning the oven, especially around the turntable. Do not allow water or cleaning agents to seep into turntable gears located underneath.

Glass Tray/Turntable

Allow to cool before removing and cleaning. Wash in soapy water or dishwasher.

Metal Rack

Wash the metal rack with a mild soap and a soft or nylon scrub brush.

Dry completely.

Do not use abrasive scrubbers or cleaners to clean rack.

Roller Guide

Clean frequently to prevent excessive noise. Wash in soapy water or dishwasher.

Oven Exterior

Wipe the outside of your oven with a soapy cloth, rinse and dry. Do not use abrasive cleaners. They may scratch the surface.

Light Compartment

Clean off the grease and dust on the light compartment cover on the bottom side of the microwave oven often with warm water and detergent.

Control Panel

Wipe with a damp cloth. Dry. Do not spray cleaners directly on panel. Spray cleaners on cloth and then wipe.

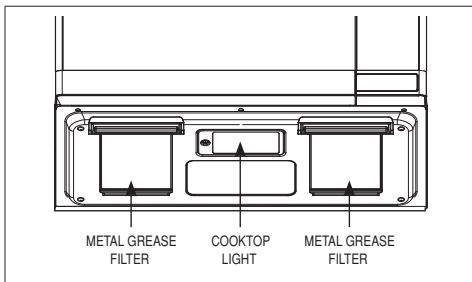
7 CARE AND CLEANING

Waveguide Cover

The waveguide cover is located on the right side wall of the oven cavity. It is made from mica so it requires special care. Keep the waveguide cover clean to assure good oven performance. Carefully wipe with a damp cloth any food spatters from the surface of the cover immediately after they occur. Built-up splashes may overheat and cause smoke or possibly catch fire. **DO NOT REMOVE THE WAVEGUIDE COVER.**

The Exhaust Feature

The exhaust hood feature on your microwave oven is equipped with two metal filters which collect grease. When the fan is being operated, air is drawn up through the filters and is then discharged through the venting to the outside or through the charcoal filters if not vented to the outside.



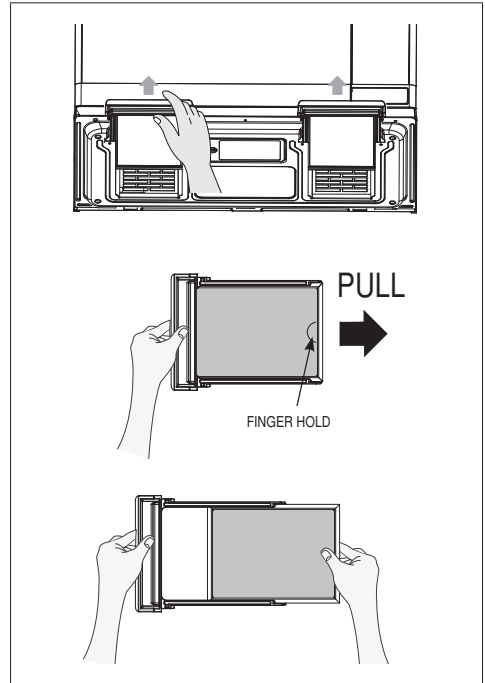
Reusable Grease Filters

The reusable grease filters should be cleaned at least once a month. Never operate the microwave without the filters in place. In situations where flaming might occur on surfaces below the hood, filters will stop the entry of flames into the unit.

To Remove Grease Filter

To remove the grease filter holder, pull the tab toward the front of the oven. Repeat for the other grease filter holder.

To remove the grease filter from the holder, pull using the "finger hold" to assist as shown in below image.



To Clean Grease Filter

To clean grease filters, soak and then agitate filter in solution of hot water and detergent. Do not use ammonia or ammonia products because they will darken the metal. Light brushing can be used to remove embedded dirt. Rinse, shake and remove moisture before replacing.

To Replace Grease Filter

To replace the grease filter, slide the grease filter into the grease filter holder. Insert the grease filter holder into the designated area of the bottom of the oven. Repeat for the other grease filter.

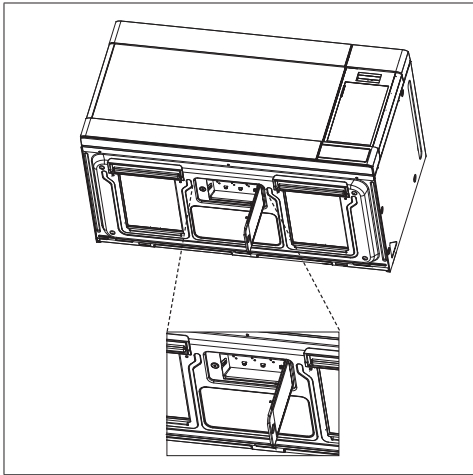
7 CARE AND CLEANING

Light Replacement

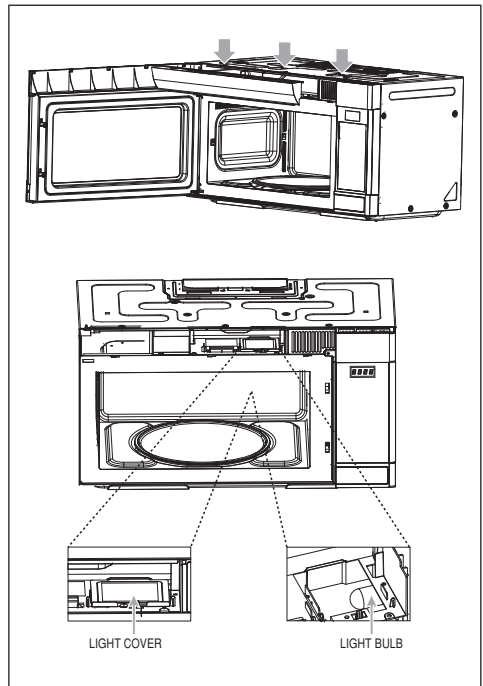
Cooktop Light

When replacing the cooktop light, make sure that you are wearing gloves to avoid injury from the heat of the lamp.

1. Unplug the oven or turn off the power at the main power supply.
2. Remove the screw from the light cover and lower the cover until it stops.
3. Remove the screw on center of the LED Light secured to the cover and pull out terminal.
4. Replace with 1.0-watt LED light available from your authorized dealer and secure with screw.
5. Replace the light cover and mounting screw.
6. Turn the power back on at the main power supply.



2. Remove the vent grille mounting 3 screws and open the door.
3. Slide the grille air to the left, then pull it straight out.
4. Remove the charcoal filter, if present.
5. Pull the hook a little and remove light cover.
6. Replace the light bulb with 30-watt bulb, available from your authorized dealer.
7. Replace the light cover.
8. Replace the grille air and 3 screws and close the door.
9. Plug the oven in or turn on the power at the main power supply.



Oven Light

When replacing the oven light, make sure that you are wearing gloves to avoid injury from the heat of the lamp.

1. Unplug the oven or turn off the power at the main power supply.

7 CARE AND CLEANING

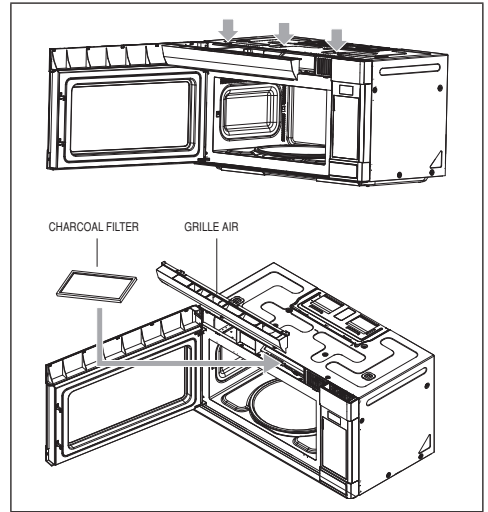
Install/Replace Charcoal Filter

Charcoal Filter

If your oven is vented to the inside, the charcoal filter should be replaced if it is used for approximately 6 months.

You can purchase Charcoal Filter from Blomberg.

1. Unplug the oven or turn off the power at the main power supply.
2. Remove the grille air mounting 3 screws and open the door.
3. Slide the grille air to the left, then pull it straight out.
4. Push the charcoal filter backward and remove it.
5. Slide a new charcoal filter into place. The filter should rest at the angle.
6. Replace the grille air and 3 screws and close the door.
7. Plug the oven in or turn on the power at the main power supply.



8 BEFORE YOU CALL

Check the following to be sure a service call is necessary:

If nothing on the oven operates:

- Check for a blown circuit fuse or a tripped main circuit breaker.
- Check if oven is properly connected to electric circuit in house.
- Check that controls are set properly.
- Check that the cooking time is set.

If the oven interior light does not work:

- The LED light may be loose or defective. See page 27 or call a qualified servicer.

If oven will not cook:

- Check that control panel was programmed correctly.
- Check that door is firmly closed.
- Check that START pad was pressed.
- Auto Start may have been set.
- The Control Lockout may have been set.
- Check the area between the door and seal for obstructions.

If oven takes longer than normal to cook or cooks too rapidly:

- Be sure the Power Level is programmed properly.
- Check instructions on food density, etc.
- Verify that voltage to the microwave oven is not low.

If the time-of-day clock does not always keep correct time:

- Check that the power cord is fully inserted into the outlet receptacle.
- Check that the oven is properly grounded.
- Try plugging the oven into an outlet on a separate electrical circuit.

If oven floor or glass tray IS hot:

- This is normal. The floor is absorbing heat from the food.

If the interior of oven collects moisture:

- This is normal. Food gives off moisture when cooking and the steam collects on the door and the oven surface. Wipe off excess moisture from oven after each use.

If food cooks unevenly:

- Refer to your recipe for proper cooking procedures.
- Be sure food is evenly shaped.
- Be sure food is completely defrosted before cooking.
- Check placement of aluminum strips used to prevent overcooking.

If food is undercooked:

- Check recipe to be sure all directions (amount, time and power levels) were correctly followed.
- Check household voltage.
- Try plugging the oven into an outlet on a separate electrical circuit.
- Be sure food was completely defrosted before cooking.

8 BEFORE YOU CALL

If food is overcooked:

- Check recipe to be sure all directions (amount, time and power levels) were correctly followed.
- The initial temperature of food may have been higher than normal.

If arcing (sparks) occur:

- Be sure microwave-safe dishes were used.
- Be sure wire twist-ties were not used.
- Be sure oven was not operated when empty.

If the display shows a time counting down but the oven is not cooking:

- Check that door is firmly closed.

9 QUESTIONS AND ANSWERS

- Q : I accidentally ran my microwave oven without any food in it. Is it damaged?**
- A : Running the oven empty for a short time will not damage the oven. However, it is not recommended.
- Q : Can the oven be used with the glass tray or roller guide removed?**
- A : No. Both the glass tray and roller guide must always be used in the oven before cooking.
- Q : Can I open the door when the oven is operating?**
- A : The door can be opened anytime during the cooking operation. Then microwave energy will be instantly switched off and the time setting will maintain until the door is closed.
- Q : What does “Er01” message mean?**
- A : “Er01” means SENSOR ERROR and will appear if you open the oven door or press STOP/CLEAR pad while cooking time is displayed. To continue cooking, press the STOP/CLEAR pad and cook manually.
- Q : Why do I have moisture in my microwave oven after cooking?**
- A : The moisture on the side of your microwave oven is normal. It is caused by steam from cooking food hitting the cool oven surface.
- Q : Will the microwave oven be damaged if it operates while empty?**
- A : Yes. Never run it empty.
- Q : Why do eggs sometimes pop?**
- A : When baking or poaching eggs, the yolk may pop due to steam buildup inside the yolk membrane. To prevent this, simply pierce the yolk with a toothpick before cooking. Never cook eggs without piercing their shells.
- Q : Why is this standing time recommended after the cooking operation has been completed?**
- A : Standing time is very important. With microwave cooking, the heat is in the food, not in the oven. Many foods build up enough internal heat to allow the cooking process to continue, even after the food is removed from the oven. Standing time for joints of meat, large vegetables and cakes is to allow the inside to cook completely, without overcooking the outside.
- Q : What does “standing time” mean?**
- A : “Standing time” means that food should be removed from the oven and covered for additional time to allow it to finish cooking. This frees the oven for other cooking.
- Q : Why does my oven not always cook as fast as the microwave cooking guide says?**
- A : Check your cooking guide again, to make sure you've followed directions exactly, and to see what might cause variations in cooking time. Cooking guide times and heat settings are suggestions to help prevent over-cooking, the most common problem in getting accustomed to a microwave oven. Variations in the size, shape, weights and dimensions could require longer cooking time. Use your own judgement along with the cooking guide suggestions to check whether the food has been properly cooked just as you would do with a conventional cooker.
- Q : Does microwave energy pass through the viewing screen in the door?**
- A : No. The metal screen bounces back the energy to the oven cavity. The holes are made to allow light to pass through. They do not let microwave energy pass through.

9 QUESTIONS AND ANSWERS

Q : Can I operate my microwave oven without the turntable or turn the turntable over to hold a large dish?

A : No. If you remove or turn over the turntable, you will get poor cooking results. Dishes used in your oven must fit on the turntable.

Q : Is it normal for the turntable to turn in either direction?

A : Yes. The turntable rotates clockwise or counterclockwise, depending on the rotation of the motor when the cooking cycle begins.

Q : Can I pop popcorn in my microwave oven? How do I get the best results?

A : Yes. Pop packaged microwave popcorn following manufacturer's guidelines. Do not use regular paper bags. Use the "listening test" by stopping the oven as soon as the popping slows to a "pop" every 1 or 2 seconds. Do not repop unpopped kernels. Do not pop popcorn in glass cookware.

10 COOKING INSTRUCTIONS

Utensil Guide

Only use utensils that are suitable for use in microwave ovens.

To cook food in the microwave oven, the microwaves must be able to penetrate the food, without being reflected or absorbed by the dish used. Care must therefore be taken choosing the utensil. If the utensil is marked microwave-safe, you do not need to worry. The following table lists various utensils and indicates whether and how they should be used in a microwave oven.

- Recommended use
- ▲ Limited use
- ✘ Not recommended

Utensil	Safe	Comments
Aluminum foil	▲	Can be used in small quantities to protect areas against overcooking. Arcing can occur if the foil is too close to the oven wall or if too much foil is used.
Crisp plate	●	Do not preheat for more than 8 minutes.
China and earthenware	●	Porcelain, pottery, glazed earthenware and bone china are usually suitable, unless decorated with a metal trim.
Disposable polyester cardboard dishes	●	Some frozen foods are packaged in these dishes.
Fast-food packaging		
• Polystyrene cup containers	●	Can be used to warm food. Overheating may cause the polystyrene to melt.
• Paper bags or newspaper	✘	May catch fire.
• Recycled paper or metal trims	✘	May cause arcing.
Glassware		
• Oven-to-table ware	●	Can be used, unless decorated with a metal trim.
• Fine glassware	●	Can be used to warm foods or liquids. Delicate glass may break or crack if heated suddenly.
• Glass jars	●	Must remove the lid. Suitable for warming only.

10 COOKING INSTRUCTIONS

Utensil	Safe	Comments
Metal		
• Dishes	✗	May cause arcing or fire.
• Freezer bag twist-ties	✗	May cause arcing or fire.
Paper		
• Plates, cups, napkins and kitchen paper	●	For short cooking times and warming. Also to absorb excess moisture.
• Recycled paper	✗	May cause arcing.
Plastic		
• Containers	●	Particularly if heat-resistant thermoplastic. Some other plastics may warp or discolor at high temperatures. Do not use Melamine plastic.
• Cling film	●	Can be used to retain moisture. Should not touch the food. Take care when removing the film as hot steam will escape.
• Freezer bags	▲	Only if boilable or oven-proof. Should not be airtight. Prick with a fork, if necessary.
Wax or grease-proof paper	●	Can be used to retain moisture and prevent spattering.

- Recommended use
- ▲ Limited use
- ✗ Not recommended

Use Your Microwave Oven Safely

General Use

- Do not attempt to defeat or tamper with safety interlocks.
- Do not place any object between the oven front frame and the door or allow residue to build up on sealing surfaces. Wipe with a mild detergent, rinse and dry. Never use abrasive powders or pads.
- Do not subject the oven door to strain or weight such as a child hanging on an open door. This could cause the oven to fall forward resulting in injury to you and damage to the oven.
- Do not operate the oven if door seals or sealing surfaces are damaged; or if door is bent; or if hinges are loose or broken.
- Do not operate the oven empty. This will damage the oven.
- Do not attempt to dry clothes, newspapers or other materials in the oven. They may catch on fire.
- Do not use recycled paper products as they may contain impurities which may cause sparks or fires.
- Do not hit or strike the control panel with hard objects. This can damage the oven.

Food

- Never use your microwave oven for home canning. The oven is not designed for proper home canning. Improperly canned food may spoil and be dangerous to consume.
- Always use the minimum recipe cooking time. It is better to undercook rather than overcook foods.
- Undercooked foods can be returned to the oven for more cooking. If food is overcooked,

nothing can be done.

- Heat small quantities of food or foods with low moisture carefully. These can quickly dry out, burn or catch on fire.
- Do not heat eggs in the shell. Pressure may build up and eggs can explode.
Potatoes, apples, egg yolks and sausages are examples of food with non-porous skins. These must be pierced before cooking to prevent bursting.
- Do not attempt to deep fat fry in your microwave oven.
- Always allow a standing time of at least 20 seconds after the oven has been switched off to allow the temperature to even out. Stir during heating, if necessary, and ALWAYS stir after heating. To prevent eruptive boiling and possible scalding, you should put a spoon or glass stick into the beverages and stir before, during and after heating.

- Do not leave the oven unattended while popping corn.

Do not pop corn in a paper bag unless it is the commercially prepared Microwave Popcorn product. The kernels can overheat and ignite a brown paper bag.

Do not exceed the Microwave Popcorn manufacturer's suggested popping time.

Longer popping does not yield more popcorn but it can result in scorch, burn or fire. Remember, the popcorn bag and tray can be too hot to handle. Remove with caution and use pot holders.

Arcing

If you see arcing, open the door and correct the problem.

Arcing is the microwave term for sparks in the oven.

10 COOKING INSTRUCTIONS

Arcing is caused by:

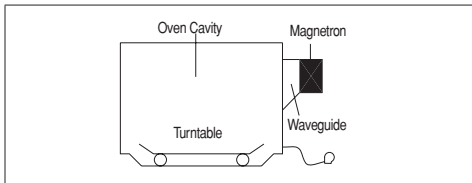
- Metal or foil touching the side of the oven.
- Foil not molded to food (upturned edges act like antennas).
- Metal, such as twist-ties, poultry pins, or gold rimmed dishes, in the microwave.
- Recycled paper towels containing small metal pieces being used in the microwave.
- Dirt or grease on waveguide cover.

Microwaving Principles

Microwave energy has been used in this country to cook and reheat food since early experiments with RADAR in World War II. Microwaves are present in the atmosphere all the time, both naturally and from manmade sources. Manmade sources include radar, radio, television, telecommunication links and car phones.

How Microwaves Cook Food

In a microwave oven, electricity is converted into microwave by the MAGNETRON.

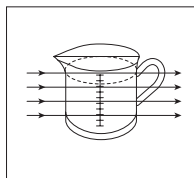


Reflection

The microwaves bounce off the metal walls and the metal door screen.

Transmission

Then they pass through the cooking containers to be absorbed by the water molecules in the food, all foods contain water to a more or lesser extent.



Absorption

The microwaves cause the water molecules to vibrate which causes FRICTION, i.e., HEAT. This heat then cooks the food. Microwaves are also attracted to fat and sugar particles, and foods high in these will cook more quickly. Microwaves can only penetrate to a depth of 1½-2 inches (4-5cm) and as heat spreads through the food by conduction, just as in a traditional oven, the food cooks from the outside inward.

Conversion Chart

WEIGHT MEASUREMENTS	
15 g	1/2 oz
25 g	1 oz
50 g	2 oz
100 g	4 oz
175 g	6 oz
225 g	8 oz
450 g	1 lb

VOLUME MEASUREMENTS	
30 ml	1 fl oz
100 ml	3 fl oz
150 ml	5 fl oz (1/4 pt)
300 ml	10 fl oz (1/2 pt)
600 ml	20 fl oz (1 pt)

SPOON MEASUREMENTS	
1.25 ml	1/4 tsp
2.5 ml	1/2 tsp
5 ml	1 tsp
15 ml	1 tbsp

10 COOKING INSTRUCTIONS

FLUID MEASUREMENTS

1 c	8 fl oz	240 ml
1 pt	16 fl oz (UK 20 fl oz)	480 ml (UK 560 ml)
1 q	32 fl oz (UK 40 fl oz)	960 ml (UK 1120 ml)
1 g	128 fl oz (UK 160 fl oz)	3840 ml (UK 4500 ml)

Cooking Techniques

Standing Time

Dense foods e.g., meat, jacket potatoes and cakes, require standing time (inside or outside of the oven) after cooking, to allow heat to finish conducting to cook the center completely. Wrap meat joints and jacket potatoes in aluminum foil while standing. Meat joints need approx. 10-15 minutes, jacket potatoes 5 minutes. Other foods such as plated meals, vegetables, fish, etc. require 2-5 minutes standing. After defrosting food, standing time should also be allowed. If food is not cooked after standing time, return to the oven and cook for additional time.

Moisture Content

Many fresh foods e.g., vegetables and fruit, vary in their moisture content throughout the season, particularly jacket potatoes. For this reason, cooking times may have to be adjusted. Dry ingredients e.g., rice and pasta, can dry out during storage so cooking times may differ.

Density

Porous airy foods heat more quickly than dense heavy foods.

Cling Film

Cling film helps keep the food moist and the trapped steam assists in speeding up cooking times. Pierce before cooking to allow excess steam to escape. Always take care when removing cling film from a dish as the buildup of steam will be very hot.

Shape

Even shapes cook evenly. Food cooks better by microwave when in a round container rather than square.

Spacing

Foods cook more quickly and evenly if spaced apart. NEVER pile foods on top of each other.

Starting Temperature

The colder the food, the longer it takes to heat up. Food from a fridge takes longer to reheat than food at room temperature.

Liquids

All liquids must be stirred before and during heating. Water especially must be stirred before and during heating, to avoid eruption. Do not heat liquids that have previously been boiled. DO NOT OVERHEAT.

Turning & Stirring

Some foods require stirring during cooking. Meat and poultry should be turned after half the cooking time.

Arranging

Individual foods e.g., chicken portions or chops, should be placed on a dish so that the thicker parts are toward the outside.

Defrosting Guide

- Do not defrost covered meat. Covering might allow cooking to take place. Always remove outer wrap and tray. Use only containers that are microwave-safe.
- Begin defrosting whole poultry breast-side-down. Begin defrosting roasts fat-side-down.
- The shape of the package alters the defrosting time. Shallow rectangular shapes defrost more quickly than a deep block.
- After 1/3 of the defrost time has elapsed, check the food. You may wish to turn over, break apart, rearrange or remove thawed portions of the food.
- During defrost, the oven will prompt you to turn the food over. At this point, open oven door and check the food. Follow the techniques listed below for optimum defrost results.

Then, close oven door, press the START pad to complete defrosting.

- When defrosted, food should be cool, but softened in all areas. If still slightly icy, return to microwave oven very briefly, or let stand a few minutes. After defrosting, allow food to stand 5-60 minutes if there are any icy areas.

Poultry and fish may be placed under running cool water until defrosted.

- **Turn over:** Roast, ribs, whole poultry, turkey breasts, hot dogs, sausages, steaks or chops.
- **Rearrange:** Break apart or separate steaks, chops, hamburger patties, ground meat, chicken or seafood pieces and chunks of meat such as stew beef.
- **Shield:** Use small strips of aluminum foil to protect thin areas or edges of unevenly shaped foods such as chicken wings. To prevent arcing, do not allow foil to come within 1-inch of oven walls or door.

- **Remove:** To prevent cooking, thawed portions should be removed from the oven at this point. This may shorten defrost time for food weighing less than 3 lbs (1350 g).

Quantity

Small quantities cook faster than large quantities, also small meals will reheat more quickly than large portions.

Piercing

The skin or membrane on some foods will cause steam to build up during cooking. These foods must be pierced or a strip of skin should be peeled off before cooking to allow the steam to escape. Eggs, potatoes, apples, sausages, etc., will all need to be pierced before cooking. **DO NOT ATTEMPT TO BOIL EGGS IN THEIR SHELLS.**

Covering

Cover foods with microwave cling film or a lid. Cover fish, vegetables, casseroles and soups. Do not cover cakes, sauces, jacket potatoes or pastry items.

10 COOKING INSTRUCTIONS

Defrosting Chart (By Time Defrost)

Item	Weight	Defrosting Time	Standing Time	Special Instructions
BEEF				
Minced Beef	1 lb / 450 g	8 - 10 min.	15 - 20 min.	Break apart and remove thawed portions with fork.
Stew Meat	1 1/2 lb / 675 g	12 - 14 min.	25 - 30 min.	Separate and rearrange once.
Patties	4 (4 oz / 110 g)	6 - 8 min.	15 - 20 min.	Turn over after half the time.
PORK				
Spareribs	1 lb / 450 g	6 - 8 min.	25 - 30 min.	Separate and rearrange once.
Chops	4 (5 oz / 125 g)	6 - 8 min.	25 - 30 min.	Separate and turn over once.
Minced Pork	1 lb / 450 g	7 - 8 min.	15 - 20 min.	Break apart and remove thawed portions with fork.
POULTRY				
Whole Chicken	2 1/2 lb / 1125 g	22 - 24 min.	45 - 90 min.	Break side down. Turn over after half the time. Shield as needed.
Chicken Breasts	1 lb / 450 g	8 - 10 min.	15 - 30 min.	Separate and rearrange once.
Fryer Chicken (cut up)	2 lb / 900 g	17 - 19 min.	25 - 30 min.	Separate and rearrange once.
Chicken Thighs	1 1/2 lb / 675 g	12 - 14 min.	15 - 30 min.	Separate and rearrange once.
FISH & SEAFOOD				
Whole Fish	1 lb / 450 g	6 - 8 min.	15 - 20 min.	Turn over after half the time. Shield as needed.
Fish Fillets	1 1/2 lb / 675 g	8 - 10 min.	15 - 20 min.	Turn over after half the time. Shield as needed.
Shrimp	1/2 lb / 225 g	2 - 3 min.	15 - 20 min.	Turn over after half the time. Shield as needed.

10 COOKING INSTRUCTIONS

Cooking Chart

Item	Power Level	Cooking Time per Lb/450g	Special Instructions
MEAT			<ul style="list-style-type: none"> Chilled meat and poultry should be removed from the refrigerator at least 30 minutes before cooking. Always let the meat and poultry stand, covered, after cooking.
Beef Joint - Rare	PL-8	6 - 8 min.	
- Medium	PL-8	7 - 10 min.	
- Well Done	PL-8	9 - 11 min.	
Pork Joint	PL10	9 - 12 min.	
Bacon Joint	PL10	5 - 7 min.	
POULTRY			
Whole Chicken	PL10	4 - 9 min.	
Portions of Chicken	PL-8	5 - 7 min.	
Breast (boned)	PL-8	6 - 8 min.	
FISH & SEAFOOD			<ul style="list-style-type: none"> Brush a little oil or melted butter over the fish, or add 1-2 tbsp (15-30 ml) lemon juice, wine, stock, milk or water. Always let the fish stand, covered, after cooking.
Fish Fillets	PL10	3 - 5 min.	
Whole Mackerel, cleaned and prepared	PL10	3 - 5 min.	
Whole Trout, cleaned and prepared	PL10	4 - 6 min.	
Salmon Steaks	PL10	4 - 6 min.	

NOTE: The above times should be regarded only as a guide. Allow for differences in individual tastes and preferences.

The times may vary due to the shape, cut and composition of the food. Frozen meat, poultry and fish must be thoroughly thawed before cooking.

10 COOKING INSTRUCTIONS

Reheating

- Baby food particularly needs to be checked carefully before serving to prevent burns.
- When heating pre-packaged ready-cooked foods, always follow the package instructions carefully.
- If you freeze foods which were bought from the fresh or chilled counters, remember that they should be thoroughly thawed before following the heating instructions on the package. It's worth putting a note on them so that other members of the household will remember too.
- Remember to remove metal ties and transfer food from foil containers before reheating.
- Chilled (refrigerated) food takes longer to reheat than food at room temperature (such as just-cooled food or food from the store shelves).
- All foods should be reheated using full microwave power.

Reheating Chart

Item	Amount	Reheating time	Special instructions
Baby Food	4.5 oz	20 sec.	Empty into a small serving bowl. Stir well once or twice during heating. Before serving, check the temperature carefully.
Baby Milk	4 fl oz / 100 ml	20 - 30 sec.	Stir or shake well and pour into a sterilized bottle. Before serving, shake well and check the temperature carefully.
	8 fl oz / 225 ml	40 - 50 sec.	
Sandwich Roll or Bun	1 roll	20 - 30 sec.	Wrap in paper towel and place on glass microwaveable rack. Note: Do not use recycled paper towels.
Lasagna	1 serving 10 1/2 oz / 300 g	4 - 6 min.	Place lasagna on microwaveable plate. Cover with plastic wrap and vent.
Casserole	1 c	11/2 - 3 min.	Cook covered, in microwaveable casserole. Stir once halfway through cooking.
	4 c	5 - 7 min.	
Mashed Potatoes	1 c	2 - 3 min.	Cook covered, in microwaveable casserole. Stir once halfway through cooking.
	4 c	6 - 8 min.	
Baked Beans	1 c	2 - 3 min.	Cook covered, in microwaveable casserole. Stir once halfway through cooking.
Ravioli or Pasta in Sauce	1 c	2 - 3 min.	Cook covered, in microwaveable casserole. Stir once halfway through cooking.
	4 c	6 - 9 min.	

10 COOKING INSTRUCTIONS

Vegetable

Use a suitable glass Pyrex® bowl with lid. Add 2-3 tbsp (30-45 ml) cold water for every 1/2 lb (250 g) unless another water quantity is recommended - see chart. Cook covered for the minimum time - see chart.

Continue cooking to get the result you prefer. Stir once during and once after cooking. Add salt, herbs or butter after cooking. Cover during a standing time of 3 minutes.

Hint: Cut the fresh vegetables into evenly sized pieces. The smaller they are cut, the more quickly they will cook.

All vegetables should be cooked using full microwave power.

Fresh Vegetables Cooking Chart

Vegetables	Weight	Time	Special Instructions
Broccoli	1/2 lb / 250 g	3 - 5 min.	Prepare evenly sized florets. Arrange the stems to the center.
	1 lb / 500 g	6 - 8 min.	
Brussels Sprouts	1/2 lb / 250 g	3 - 5 min.	Add 4-5 tbsp (60-75 ml) water.
Carrots	1/2 lb / 250 g	3 - 5 min.	Cut carrots into evenly sized slices.
Cauliflower	1/2 lb / 250 g	3 - 5 min.	Prepare even sized florets. Cut big florets into halves. Arrange stems to the center.
	1 lb / 500 g	6 - 8 min.	
Zucchini	1/2 lb / 250 g	3 - 4 min.	Cut zucchini into slices. Add 2 tbsp (30 ml) water or a knob of butter. Cook until just tender.
Eggplant	1/2 lb / 250 g	3 - 4 min.	Cut eggplant into small slices and sprinkle with 1 tbsp lemon juice.
Leeks	1/2 lb / 250 g	3 - 4 min.	Cut leeks into thick slices.
Mushrooms	0.3 lb / 125 g	2 - 3 min.	Prepare small whole or sliced mushrooms. Do not add any water. Sprinkle with lemon juice. Spice with salt and pepper. Drain before serving.
	1/2 lb / 250 g	3 - 4 min.	
Onions	1/2 lb / 250 g	2 - 3 min.	Cut onions into slices or halves. Add only 1 tbsp (15 ml) water.
Pepper	1/2 lb / 250 g	2 - 4 min.	Cut pepper into small slices.
Potatoes	1/2 lb / 250 g	4 - 5 min.	Weigh the peeled potatoes and cut them into similarly sized halves or quarters.
	1 lb / 500 g	6 - 8 min.	
Turnip Cabbage	1/2 lb / 250 g	4 - 6 min.	Cut turnip cabbage into small cubes.

10 COOKING INSTRUCTIONS

Frozen Vegetables Cooking Chart

Item	Weight	Time	Special Instructions
Spinach	0.3 lb / 125 g	2 - 3 min.	Add 1 tbsp (15 ml) water.
Broccoli	1/2 lb / 250 g	4 - 5 min.	Add 2 tbsp (30 ml) water.
Peas	1/2 lb / 250 g	4 - 5 min.	Add 1 tbsp (15 ml) water.
Green Beans	1/2 lb / 250 g	4 - 5 1/2 min.	Add 2 tbsp (30 ml) water.
Mixed Vegetables (carrots/peas/corn)	1/2 lb / 250 g	4 - 5 min.	Add 1 tbsp (15 ml) water.
Mixed Vegetables (Chinese style)	1/2 lb / 250 g	4 - 6 min.	Add 1 tbsp (15 ml) water.

Avant d'utiliser l'appareil, veuillez lire ce manuel !

Chère cliente, cher client,

Merci d'avoir choisi les produits Blomberg. Nous espérons que ce produit, fabriqué dans des installations modernes et soumis à un processus de contrôle qualité rigoureux, vous offre les meilleures performances possibles. C'est pourquoi nous vous recommandons, avant d'utiliser ce produit, de lire attentivement ce manuel et tous les autres documents fournis et de les conserver soigneusement pour toute consultation future. Si vous confiez le produit à quelqu'un d'autre, n'oubliez pas de lui remettre également le manuel d'utilisation. Veuillez à bien respecter les consignes et les instructions figurant dans le manuel d'utilisation.

MESURES POUR ÉVITER UNE EXPOSITION POSSIBLE À UNE ÉNERGIE MICRO-ONDE EXCESSIVE

- Ne pas essayer de faire fonctionner ce four avec la porte ouverte puisque le fonctionnement avec la porte ouverte peut entraîner une exposition dangereuse à l'énergie micro-onde. Il est important de ne pas enlever ou modifier les verrouillages de sécurité.
- Ne pas placer d'objet entre l'avant du four et la porte ou laisser s'accumuler de la saleté ou des résidus de nettoyant sur les surfaces d'étanchéité.
- Ne pas faire fonctionner le four s'il est endommagé. Il est particulièrement important que la porte du four ferme bien et qu'il n'y ait pas de dommages: (1) à la tête du tiroir (tordue), (2) aux glissières et verrous (brisés ou avec du jeu), (3) aux joints et aux surfaces d'étanchéité du tiroir.
- Seul du personnel qualifié en réparations doit ajuster ou réparer ce four.

TABLE DES MATIÈRES

MESURES POUR ÉVITER UNE EXPOSITION POSSIBLE À UNE ÉNERGIE MICRO-ONDE EXCESSIVE.....44

1 INSTRUCTIONS DE SÉCURITÉ

IMPORTANTES46

ÉNONCÉ DE LA COMMISSION FÉDÉRALE DES

COMMUNICATIONS SUR L'INTERFÉRENCE

AVEC LES FRÉQUENCES RADIO.....48

2 GUIDE D'INSTALLATION.....49

Examinez le four après l'avoir déballé.....49

Vérification des pièces49

Emplacement49

Alimentation électrique.....50

INSTRUCTIONS DE MISE À LA TERRE.....51

Avertissements très importants concernant

l'utilisation.....51

3 CARACTÉRISTIQUES

TECHNIQUES.....53

4 ILLUSTRATION DES

CARACTÉRISTIQUES54

5 PROCÉDURE D'UTILISATION58

Pour régler le niveau de puissance.....58

6 COMMANDES60

Réglage de l'horloge60

Mode de minuterie pour cuisiner.....60

Comment utiliser en tant que minuterie.....60

Comment utiliser la minuterie pour

retarder le mode cuisson.....60

Comment régler un temps de repos

(après cuisson).....61

Décongélation minutée.....61

Décongélation selon le poids61

Melt/Soften (Fondre/Ramollir)62

Keep Warm (Conserver chaud).....62

Time Cook (Temps de cuisson).....62

Cuire en deux étapes63

Décongeler et cuire63

Cuisson + Cuisson63

+30 Sec.....64

Express Cook (Cuisson express).....64

Cuisson une touche - préprogrammé (preset)64

Beverage (Boisson).....65

Opérations avec capteur.....65

Utilisation des réglages avec capteur.....65

Recouvrir les aliments.....66

Cuisson avec capteur.....66

Tableau de cuisson avec capteur.....67

Turntable On-Off

(Activer et désactiver la plaque tournante).....68

Vent Fan (Ventilateur d'aération).....68

Lampe de la hotte.....68

Mode silencieux.....68

Filter Reset (Réinitialisation du temps du filtre)....68

Pour activer le mode d'économie d'énergie69

Verrouillage sécuritaire pour les enfants69

Pour arrêter le four lorsqu'il est en marche69

Grille métallique.....69

7 ENTRETIEN ET NETTOYAGE71

Intérieur du four à micro-ondes71

Bas du four71

Plateau de verre / Plaque tournante71

Grille métallique71

Anneau-guide71

Extérieur du four71

Compartiment de la lampe72

Panneau de commande72

Couvercle du guide d'ondes72

Le système de ventilation72

Filtres à graisse réutilisables.....72

Pour retirer les filtres à graisse.....72

Nettoyer les filtres à graisse73

Remettre les filtres à graisse en place73

Remplacement des ampoules de lumière73

Lampe de la hotte.....73

Installer /remplacer le filtre au charbon.....74

8 AVANT D'APPELER.....75

9 QUESTIONS ET RÉPONSES.....77

10 INSTRUCTIONS POUR

LA CUISSON79

Guide pour les ustensiles.....79

Utilisez votre four à micro-ondes de

façon sécuritaire.....81

Jaillissements d'étincelles82

Principes des micro-ondes82

Comment les micro-ondes cuisent les aliments ..82

Tableaux de conversion.....83

Techniques de cuisson.....83

Guide de décongélation84

Tableau de décongélation (avec time defrost)85

Tableau de cuisson.....87

Réchauffage88

Tableau pour réchauffer88

Légumes.....89

Tableau pour les légumes89

Tableau pour légumes congelés.....90

INSTRUCTIONS DE SÉCURITÉ IMPORTANTES

Lorsque vous utilisez des appareils électriques, des précautions de base doivent être respectées, dont les suivantes :

AVERTISSEMENT - Afin de réduire les risques de brûlures, d'électrocution, d'incendie, de blessures ou de surexposition à l'énergie des micro-ondes :

1. Lisez toutes les instructions avant d'utiliser l'appareil.
2. Lisez et respectez spécifiquement les **MESURES POUR ÉVITER UNE EXPOSITION POSSIBLE À UNE ÉNERGIE MICRO-ONDE EXCESSIVE** en page 44.
3. Cet appareil doit être mis à la terre. Branchez-le uniquement à une prise correctement mise à la terre. Voir les **INSTRUCTIONS DE MISE À LA TERRE** en page 51.
4. Installez ou placez cet appareil conformément aux instructions d'installation fournies seulement.
5. Certains produits, comme les oeufs entiers et les contenants scellés, par exemple des bocaux en verre fermés, peuvent exploser et ne devraient pas être chauffés dans ce four.
6. Utilisez ce four uniquement pour les usages décrits dans ce manuel. N'utilisez pas de produits chimiques corrosifs ni vapeurs corrosives dans cet appareil. Ce type de four est conçu spécifiquement pour réchauffer, cuire ou sécher la nourriture. Il n'a pas été conçu pour un usage industriel ou de laboratoire.
7. **LE CONTENU CHAUD PEUT CAUSER DE GRAVES BRÛLURES. NE PERMETTEZ PAS AUX ENFANTS D'UTILISER LE MICRO-ONDES.** Soyez prudent lorsque vous retirez des éléments chauds.
8. N'utilisez pas cet appareil si le cordon ou la fiche sont endommagés, s'il ne fonctionne pas correctement, s'il est endommagé ou s'il a été échappé.
9. Cet appareil devrait être entretenu par un technicien qualifié uniquement. Contactez le service d'entretien autorisé les plus près pour l'examiner, le réparer ou le régler.
10. Ne couvrez ou ni ne bloquez aucune ouverture de cet appareil.
11. Ne conservez pas cet appareil à l'extérieur. N'utilisez pas cet appareil près d'une source d'eau, comme l'évier de la cuisine, dans un sous-sol humide, près d'une piscine ou dans des endroits semblables.
12. Ne plongez jamais le cordon ou la fiche dans l'eau.
13. Gardez le cordon éloigné des surfaces chauffantes.
14. Ne laissez pas le cordon pendre sur le bord de la table ou du comptoir.
15. Lorsque vous nettoyez les surfaces de la porte et du four qui entrent en contact lorsque la porte est fermée, n'utilisez que du savon doux et non abrasif, appliqué avec une éponge ou un chiffon doux.
16. Pour réduire les risques d'incendie à l'intérieur du four :
 - a. Ne faites pas trop cuire la nourriture. Portez une attention particulière à l'appareil si vous utilisez du papier, du plastique ou d'autres matières combustibles dans le four pour faciliter la cuisson.
 - b. Retirez des sacs de papier ou de plastique les attaches contenant un fil métallique avant de mettre le sac dans le four.

INSTRUCTIONS DE SÉCURITÉ IMPORTANTES

- c. **Si des matières s'enflamment à l'intérieur du four, gardez la porte du four fermée, éteignez le four et débranchez le cordon d'alimentation ou coupez le courant au panneau de disjoncteurs ou de fusibles.**
- d. N'utilisez pas le four comme espace de rangement. Ne laissez pas de produits en papier, d'ustensiles pour la cuisson ou de nourriture dans le four lorsqu'il n'est pas utilisé.
17. Les liquides, tels que l'eau, le café ou le thé, peuvent surchauffer au-delà du point d'ébullition sans en avoir l'air, à cause de la tension superficielle du liquide. Une ébullition ou des bulles ne sont pas toujours visibles lorsque l'on retire le contenant du four à micro-ondes. **DE CE FAIT, LE LIQUIDE POURRAIT ÊTRE TRÈS CHAUD ET SE METTRE À BOUILLIR SOUDAINEMENT LORSQU'UNE CUILLÈRE OU UN AUTRE USTENSILE Y EST INSÉRÉ.**
- Pour réduire les risques de blessures :
- a. Ne surchauffez pas les liquides.
- b. Remuez le liquide avant de le réchauffer et au milieu du processus de réchauffement.
- c. N'utilisez pas de contenants aux parois droites avec des goulots étroits.
- d. Après le processus de chauffage, laissez le contenant dans le four à micro-ondes quelques instants avant de l'en retirer.
- e. Faites très attention lorsque vous insérez une cuillère ou un autre ustensile dans le contenant.
18. N'utilisez pas ce four à micro-ondes pour chauffer des produits chimiques corrosifs (ex. : les sulfides et les chlorures). Les vapeurs des produits chimiques corrosifs comme ceux-ci peuvent interagir avec les contacts et les ressorts des interrupteurs de verrouillage, les rendant inopérants.
19. Ne chauffez jamais de l'huile ou de la graisse pour faire frire de la nourriture, car vous ne pouvez pas en contrôler la température et ceci entraînerait un risque de surchauffe et d'incendie.
20. N'utilisez pas le four sans le plateau de verre. Assurez-vous qu'il repose correctement sur la base tournante.
21. Faites attention lorsque vous nettoyez les filtres du ventilateur de la hotte. Les produits nettoyants corrosifs, comme les produits nettoyants à base de soude pour les cuisinières électriques, peuvent endommager les filtres.
22. Nettoyez la hotte de ventilation fréquemment. Ne laissez pas la graisse s'accumuler sur la hotte ou dans les filtres.
23. Convient à une utilisation au-dessus des cuisinières électriques et au gaz jusqu'à 30 pouces de largeur.
24. N'utilisez pas ce four à des fins commerciales. Il est conçu pour une utilisation domestique seulement.
25. Lorsque vous flambez des aliments sous la hotte, activez le ventilateur. Gardez la zone sous la hotte adéquatement ventilée en tout temps. Éteignez l'équipement de cuisson si vous voyez des flammes ou si un incendie survient.

CONSERVEZ CES INSTRUCTIONS

INSTRUCTIONS DE SÉCURITÉ IMPORTANTES

ÉNONCÉ DE LA COMMISSION FÉDÉRALE DES COMMUNICATIONS SUR L'INTERFÉRENCE AVEC LES FRÉQUENCES RADIO

AVERTISSEMENT :

Cet équipement produit et utilise de l'énergie des bandes de fréquences ISM (industrielles, scientifiques et médicales); s'il n'est pas installé et utilisé correctement, c'est-à-dire rigoureusement selon les instructions du fabricant, il est susceptible de causer de l'interférence à la réception des ondes radio et de télévision.

Suite à des tests, il a été déterminé qu'il se conforme aux limites prescrites aux équipements ISM conformément à la section 18 des règles de la CFC, qui sont conçues pour offrir une protection raisonnable contre de telles interférences dans une installation résidentielle.

Cependant, il n'est pas garanti qu'aucune interférence ne se produira dans une installation particulière.



Si cet appareil cause de l'interférence à la réception des ondes radio ou de télévision, ce qui peut se vérifier en allumant et en éteignant l'appareil, nous encourageons l'utilisateur à tenter de corriger les interférences par l'une ou plusieurs des méthodes suivantes.

- Réorienter l'antenne de réception de la radio ou du téléviseur.
- Déplacer le four à micro-ondes par rapport à l'appareil récepteur.
- Placer le four à micro-ondes plus loin de l'appareil récepteur.
- Brancher le four à micro-ondes dans une prise différente pour que le four à micro-ondes et l'appareil récepteur soient sur des circuits différents.

LE FABRICANT n'est pas responsable des interférences aux ondes radio ou de télévision causées par une MODIFICATION NON AUTORISÉE de ce four à micro-ondes. C'est la responsabilité de l'utilisateur de corriger cette interférence.

2 GUIDE D'INSTALLATION

Examinez le four après l'avoir débarrassé

Déballer le four, retirez tout le matériel d'emballage et examinez le four à la recherche de dommages, comme des bosses à l'extérieur ou à l'intérieur du four, des loquets de porte brisés, des fissures dans la porte ou un mauvais alignement de la porte. Si le four est endommagé, ne l'utilisez pas et avisez-en votre vendeur immédiatement.

Vérification des pièces

Déballer soigneusement votre four à micro-ondes et assurez-vous d'avoir reçu toutes les pièces indiquées ci-dessous. Si votre four à micro-ondes a été endommagé pendant l'expédition ou si vous n'avez pas toutes les pièces, contactez le centre de service à la clientèle de Blomberg.

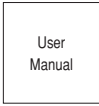






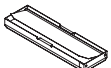
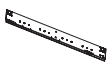


Image	Pièce et description	Qté.
	Manuel de l'utilisateur	1
	Anneau-guide à roulettes	1
	Filtres à graisse	2
	Supports de filtre à graisse	2
	Plaque tournante en verre	1

Image	Pièce et description	Qté.
	Trousse de quincaillerie (vis)	1
	Grille métallique	1
	Clapet (adaptateur d'échappement)	1
	Plaque de montage	1
	Gabarit de l'armoire supérieure	1
	Gabarit mural	1
	Manuel d'installation	1

Emplacement

- L'installation de cet appareil doit être effectuée par un technicien qualifié ou une compagnie d'entretien technique qualifiée.

L'installation du four par une personne autre qu'un technicien qualifié pourrait entraîner des risques d'électrocution, d'incendie, d'explosion, des problèmes avec le produit ou des blessures.

- N'installez pas cet appareil dans un endroit humide, gras ou poussiéreux, ou dans un endroit exposé directement au soleil ou à l'eau (pluie).
- Branchez fermement la fiche du cordon électrique dans la prise murale. N'utilisez jamais une fiche ou un cordon électriques endommagés, ou une prise murale qui n'est pas solide.
- N'installez pas cet appareil au-dessus d'un évier.

2 GUIDE D'INSTALLATION

- Ne grimpez pas sur le four à micro-ondes et ne placez pas d'objets (comme de la lessive, un couvre-four, des chandelles ou cigarettes allumées, de la vaisselle, des produits chimiques, des objets en métal, etc.) sur l'appareil.

Ceci pourrait entraîner des risques d'électrocution, d'incendie, de problèmes avec le produit et de blessures.

Alimentation électrique

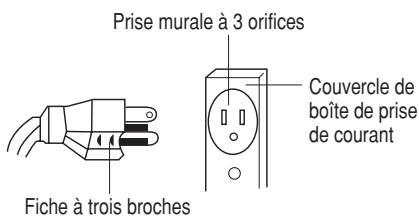
- Vérifiez votre alimentation électrique locale.

Ce four à micro-ondes requiert un courant d'environ 15 ampères, 120 volts, 60 Hz et une prise de courant mise à la terre.

- a. Un cordon d'alimentation court est fourni pour réduire les risques qu'un utilisateur s'y empêtre ou trébuche.
 - b. Des cordons plus longs et des rallonges sont disponibles et peuvent être utilisés s'ils sont employés avec discernement.
 - c. Si vous utilisez un cordon plus long ou une rallonge :
 - La capacité électrique indiquée du cordon ou de la rallonge doit être égale ou supérieure aux caractéristiques électriques du four.
 - La rallonge doit être un cordon à trois fils avec mise à la terre.
 - Le cordon plus long doit être placé de façon à ce qu'il ne pende pas d'une table ou du comptoir, ce qui causerait un risque de s'accrocher et trébucher, ou permettrait à des enfants de tirer dessus.
- Vérifiez le cordon d'alimentation et la prise de courant.
 - a. Retirez régulièrement, à l'aide d'un chiffon sec, toutes les matières étrangères, comme la poussière et l'eau, sur les broches du cordon d'alimentation et les points de contact.

- b. Débranchez la fiche et nettoyez-la avec un chiffon sec.
- c. Branchez la fiche dans une prise murale à trois orifices mise à la terre. Votre four devrait être le seul appareil branché sur ce circuit.
- d. Partager une prise murale avec d'autres appareils, utiliser une bande à prises multiples ou rallonger le cordon d'alimentation pourrait entraîner des risques d'électrocution ou d'incendie.
- e. N'utilisez pas de transformateur électrique. Ceci pourrait entraîner un risque d'électrocution ou d'incendie.
- f. Assurez-vous que la tension, la fréquence et l'intensité fournies correspondent aux caractéristiques techniques du produit.

Lors de l'utilisation d'une fiche à trois broches



LE CODE CANADIEN DE L'ÉLECTRICITÉ NE PERMET PAS L'UTILISATION D'UN ADAPTEUR DE MISE À LA TERRE.

INSTRUCTIONS DE MISE À LA TERRE

Cet appareil doit être mis à la terre. Dans l'éventualité d'un court-circuit électrique, la mise à la terre réduit le risque d'électrocution en fournissant un fil de sortie pour le courant électrique. Cet appareil est équipé d'un cordon avec fil de mise à la terre et une fiche pour mise à la terre. Cette fiche doit être branchée dans une prise murale correctement installée et mise à la terre.

AVERTISSEMENT

Une mauvaise utilisation de la mise à la terre peut entraîner un risque de choc électrique.

Consultez un électricien ou un réparateur qualifié si les instructions de mise à la terre ne sont pas complètement comprises ou s'il existe un doute quant à la mise à la terre correcte de l'appareil, et



1. S'il est nécessaire d'utiliser une rallonge, utilisez uniquement une rallonge à 3 fils dotée d'une fiche de mise à la terre à 3 broches et une prise à 3 fentes qui acceptera la fiche sur l'appareil. La puissance nominale de la rallonge doit être égale ou supérieure à la puissance électrique de l'appareil, ou
2. N'utilisez pas de rallonge. Si le cordon d'alimentation est trop court, faites installer une prise près d'un appareil par un électricien ou un technicien qualifié.

AVERTISSEMENT



Sous aucune circonstance, ne coupez ni ne retirez la troisième broche (de mise à la terre) du cordon d'alimentation.

Avertissements très importants concernant l'utilisation

Si le four à micro-ondes est inondé, veuillez communiquer le centre de réparation le plus près. Négliger de le faire pourrait entraîner un risque d'électrocution ou d'incendie.

Lisez et respectez spécifiquement les « Précautions pour éviter une possible surexposition à l'énergie des micro-ondes » en page 45.

Si le four à micro-ondes produit un bruit étrange, une odeur de brûlé ou de la fumée, débranchez-le immédiatement et contactez le centre de service le plus près.

- Dans l'éventualité d'une fuite de gaz (propane, gaz de pétrole liquéfié, etc.), ventilez la pièce immédiatement. Ne touchez pas au four à micro-ondes, au cordon d'alimentation ou à la fiche.
- N'utilisez pas de ventilateur pour aérer.
- Une étincelle pourrait causer une explosion ou un incendie. Assurez-vous que la porte ou n'importe quelles autres pièces n'entrent pas en contact avec votre corps pendant le fonctionnement du four ou juste après.
- Dans l'éventualité d'un feu de friture sur la surface de cuisson sous le four à micro-ondes, étouffez le chaudron enflammé en le recouvrant complètement avec un couvercle, une plaque à biscuits ou un plateau plat.
Ne laissez pas la surface de cuisson sans supervision lorsqu'elle fonctionne et est réglée

2 GUIDE D'INSTALLATION

à une chaleur élevée. Les débordements par bouillonnement entraînent de la fumée et les déversements graisseux peuvent s'enflammer et prendre de l'expansion si le ventilateur de la hotte est en fonction. Pour minimiser l'activation automatique de la hotte, utilisez des chaudrons et poêles de tailles adéquates. Ne cuisinez à température élevée que lorsque nécessaire.

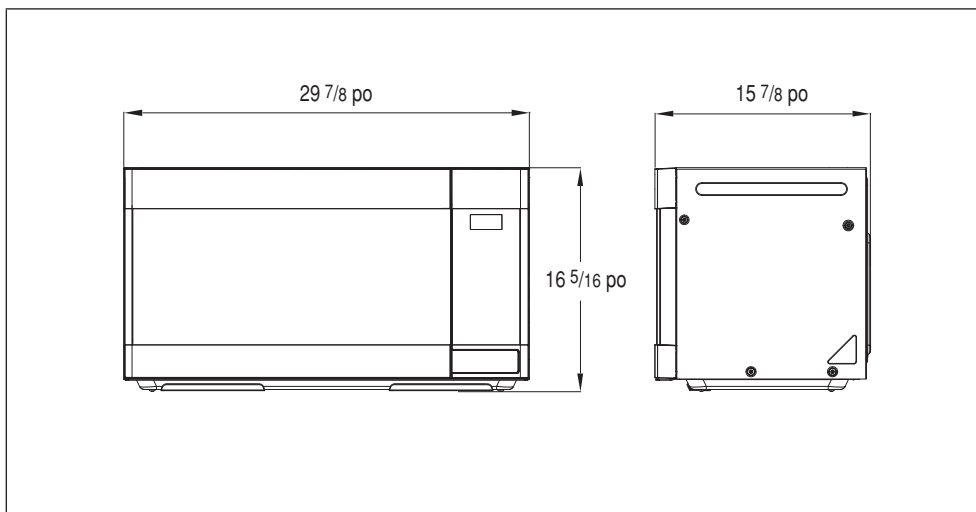
Si des matières s'enflamment à l'intérieur du four, gardez la porte du four fermée, éteignez le four et débranchez le cordon d'alimentation ou coupez le courant au panneau de disjoncteurs ou de fusibles. Ouvrir la porte du four pourrait permettre aux flammes de s'étendre.

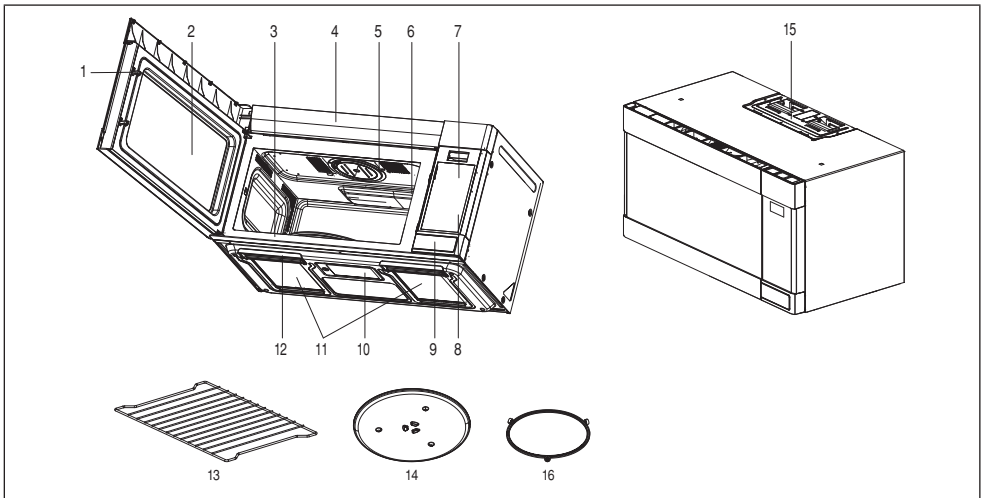
- Respectez en tout temps les précautions de sécurité lorsque vous utilisez votre four. N'essayez jamais de réparer le four vous-même. Il y a une tension électrique dangereuse à l'intérieur. Si le four doit être réparé, communiquez avec un centre de réparation autorisé près de chez vous.

3 CARACTÉRISTIQUES TECHNIQUES

Alimentation électrique		120 V CA, 60 Hz, monophasée avec mise à la terre
Micro-ondes	Puissance d'entrée	1 500 W
	Énergie produite	950 W
	Fréquence	2 450 MHz
Dimensions extérieures (la x h x p)		29 7/8 x 16 5/16 x 15 7/8 po
Dimensions de l'enceinte (la x h x p)		19 13/16 x 10 x 14 7/8 po
Volume de l'enceinte du four		1,6 pi ³
Poids net		Env. 50,3 LB (22,8 KG)
Minuterie		99 min. 99 sec.
Sélections de puissance		10 niveaux

Les caractéristiques techniques peuvent changer sans préavis.

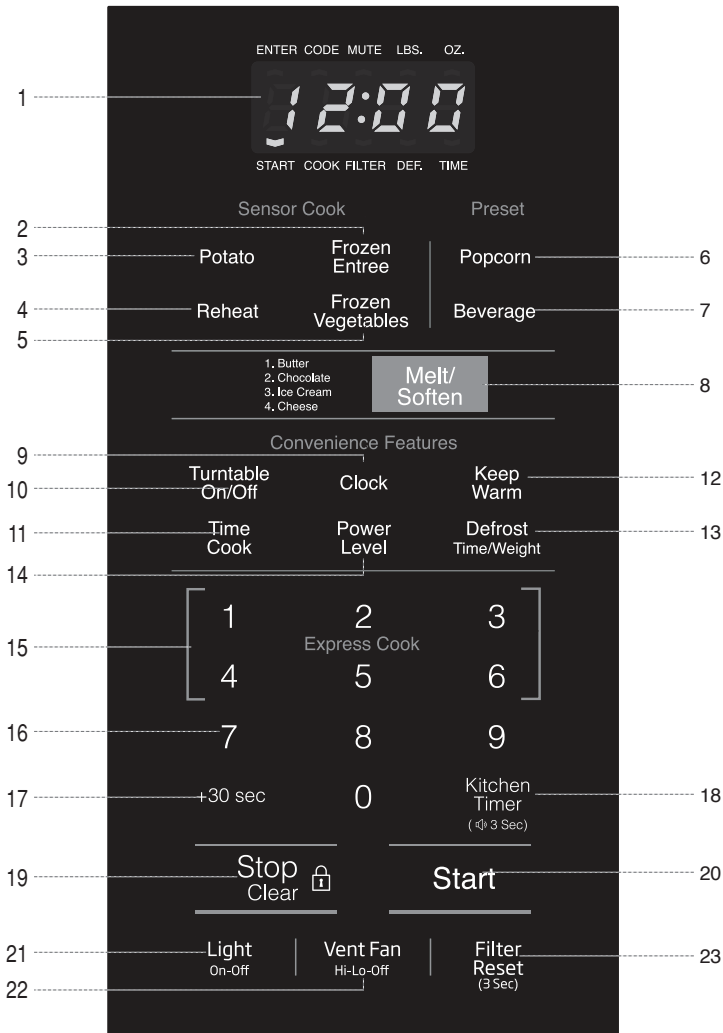




1. **Loquets de porte**
2. **Fenêtre avec treillis métallique** - Le treillis métallique permet de voir la cuisson tout en empêchant les micro-ondes de s'échapper.
3. **Plaque du numéro de modèle** - Située sur la façade du four.
4. **Filtre au charbon** - Derrière la grille de ventilation
5. **Lumière du four**
6. **Couvercle du guide d'ondes** - Protège l'émetteur de micro-ondes contre les éclaboussures de nourriture.
7. **Panneau de commande tactile et affichage numérique** - Pour des renseignements détaillés sur chacune des caractéristiques, consulter la section Illustration des caractéristiques, pages 55 à 57.
8. **Commandes de la hotte**
Ventilateur - Appuyer pour vitesses Haute, Basse ou Hors-fonction.
Lampe - Appuyer pour allumer ou éteindre.
9. **Bouton de la porte** - Appuyer sur ce bouton pour ouvrir la porte.
10. **Lampe de la hotte**
11. **Filtres à graisse**
12. **Poignée pour filtre** - Pour l'accès aux filtres à graisse.
13. **Grille métallique** - À utiliser pour créer de l'espace et chauffer plus d'un plat à la fois.
14. **Plaque tournante / Plateau de verre**
Composée du plateau de verre et de l'anneau-guide à roulettes. L'anneau-guide est d'abord placé dans la partie inférieure du four et soutient le plateau de verre. Les deux pièces doivent être présentes lors de l'utilisation du four à micro-ondes.
15. **Moteur de ventilation** - Votre micro-ondes à hotte intégrée est conçu pour s'adapter à trois types de ventilation.
(Système de recirculation d'air, ventilation verticale, ventilation horizontale). Consulter le Manuel d'installation pour choisir le type de ventilation requis par votre installation.
16. **Anneau-guide à roulettes**

4 ILLUSTRATION DES CARACTÉRISTIQUES

Le Panneau de commande tactile vous permet d'utiliser les commandes du four d'une simple pression du doigt. Il est conçu pour être facile à utiliser et à comprendre.



- Chaque fois que l'on appuie sur une touche, un signal sonore (BIP) est émis.
- Lorsque l'on appuie sur la touche **STOP/CLEAR** pendant que le four est en fonction, le four arrête; cependant, toute l'information programmée est conservée. Pour supprimer cette information, appuyez sur **STOP/CLEAR** à nouveau.

1. **ÉCRAN D’AFFICHAGE** - Affiche l’heure, le temps ou le niveau de puissance utilisé, le mode de cuisson et les instructions.
2. **FROZEN ENTREE** (repas congelé) - Appuyez sur cette touche pour réchauffer un repas congelé. Le capteur du four à micro-ondes règle automatiquement le temps de cuisson selon le type et la quantité d’aliments.
3. **POTATO** (pommes de terre) - Appuyez sur cette touche pour cuire des pommes de terre. Le capteur du four à micro-ondes règle automatiquement le temps de cuisson selon le type et la quantité d’aliments.
4. **REHEAT** (réchauffer) - Appuyez sur cette touche pour réchauffer des aliments. Le capteur du four à micro-ondes règle automatiquement le temps de cuisson selon le type.
5. **FROZEN VEGETABLES** (légumes congelés) - Appuyez sur cette touche pour cuire des légumes congelés. Le capteur du four à micro-ondes règle automatiquement le temps de cuisson selon le type et la quantité d’aliments.
6. **POPCORN** (maïs soufflé) - Appuyez sur cette touche pour faire éclater des grains de maïs préemballés pour four à micro-ondes (100, 85 ou 50 g).
7. **BEVERAGE** (boisson) - Appuyez sur cette touche pour réchauffer une boisson.
8. **MELT/SOFTEN** (fondre/ramollir) - Appuyez sur cette touche pour faire fondre ou ramollir du beurre, du chocolat, de la crème glacée ou du fromage.
9. **CLOCK** (horloge) - Appuyez sur cette touche pour régler l’heure.

Tenez-la enfoncée pendant 3 secondes pour activer le mode d’économie d’énergie. Pour des renseignements détaillés sur cette fonction, voir la section Commandes, page 69.
10. **TURNTABLE On-Off** (plaque tournante) - Appuyez sur cette touche pour activer ou désactiver la plaque tournante.
11. **TIME COOK** (temps de cuisson) - Appuyez sur cette touche pour régler le temps de cuisson par micro-ondes.
 - Le niveau de puissance 10 (Élevé) est automatique, mais des niveaux d’intensité plus bas peuvent être programmés.
12. **KEEP WARM** (conserver chaud) - Appuyez sur cette touche pour garder chaude la nourriture de façon sécuritaire pendant 30 minutes.
13. **DEFROST** (décongélation) - Appuyez sur cette touche pour régler le temps de décongélation ou le poids à décongeler.
14. **POWER LEVEL** (niveau de puissance) - Appuyez sur cette touche si vous souhaitez sélectionner un niveau de puissance autre que le niveau 10 (Élevé) automatique.
15. **TOUCHES DE CHIFFRES** - Utilisez ces touches pour entrer le temps de cuisson, le temps ou le poids de décongélation, l’heure ou le niveau de puissance.
16. **EXPRESS COOK** (cuisson express) - Appuyez sur ces touches pour utiliser les temps de cuisson prééglés de 1 à 6 minutes au niveau de puissance de 100 %.

4 ILLUSTRATION DES CARACTÉRISTIQUES

17. +30 SEC - Appuyez sur cette touche pour lancer instantanément un « temps de cuisson » 30 secondes ou pour ajouter 30 secondes au temps de cuisson en cours.
18. KITCHEN TIMER (minuterie) - Appuyez sur cette touche pour utiliser la minuterie, retarder la cuisson et ou le temps de repos après la cuisson.

De plus, tenez enfoncé pendant 3 secondes pour activer ou désactiver le son. Pour des renseignements détaillés sur cette fonction, voir la section Commandes, page 68.
19. STOP/CLEAR (arrêt/effacer) - Lorsqu'enfoncée une fois, cette touche interrompt le fonctionnement du four. Lorsqu'enfoncée une deuxième fois, le four est réinitialisé et tous les réglages sont effacés (sauf l'heure).

De plus, tenez cette touche enfoncée pendant 3 secondes pour activer la fonction de verrouillage sécuritaire pour les enfants. Pour des renseignements détaillés sur cette fonction, voir la section Commandes, page 69.
20. START (démarrer) - Lorsque tous les choix sont effectués, appuyez sur cette touche pour activer le four ou la minuterie.
21. LIGHT (lampe) - Appuyez sur cette touche pour allumer ou éteindre la lampe de la hotte.
22. VENT FAN (ventilateur) - Appuyez sur cette touche pour activer le ventilateur aux vitesses rapide ou basse, ou pour l'arrêter.
23. FILTER RESET (réinitialisation du filtre) - Tenez cette touche enfoncée 3 secondes pour réinitialiser le temps pour le filtre après son remplacement. Les filtres au charbon doivent être remplacés tous les six mois.

5 PROCÉDURE D'UTILISATION

Cette section comprend des renseignements utiles sur l'utilisation du four.

1. Branchez le cordon d'alimentation dans une prise de courant standard à trois orifices avec un courant alternatif de 120 V, 15 A et 60 Hz.
2. Après avoir placé la nourriture dans un contenant adéquat, ouvrez la porte du four et placez le contenant sur le plateau de verre. Le plateau de verre et l'anneau-guide doivent toujours être en place pendant la cuisson.
3. Fermez la porte. Assurez-vous qu'elle est solidement fermée.
4. La lumière du four est allumée pendant que le microondes est en fonction.
5. La porte du four peut être ouverte en tout temps pendant le fonctionnement en appuyant simplement sur le bouton d'ouverture de la porte. Le four s'arrêtera automatiquement.
6. Chaque fois que l'on appuie sur une touche, un signal sonore (Bip) est émis afin de confirmer la pression.
7. Le four est activé automatiquement à la puissance maximale, à moins qu'il soit réglé à une puissance inférieure.
8. L'écran affiche « : 0 » lorsque l'horloge du four n'est pas réglée.
9. L'horloge affiche à nouveau l'heure actuelle lorsque le temps de cuisson se termine.
10. Lorsque l'on appuie sur la touche **STOP/CLEAR** pendant que le four est en fonction, la cuisson s'interrompt et toutes les informations programmées sont conservées.
Pour effacer toutes les informations (sauf l'heure actuelle), appuyez à nouveau sur la touche **STOP/CLEAR**. Si la porte du four est ouverte pendant son fonctionnement, toute les informations sont conservées.

11. Si vous appuyez sur la touche **START** et que le four ne s'active pas, vérifiez la surface de contact entre le joint de la porte et le four à la recherche d'une obstruction et assurez-vous que la porte se ferme solidement. Le four n'entrera pas en fonction avant que la porte soit entièrement fermée ou que le programme soit réinitialisé.

Assurez-vous que le four est installé correctement et bien branché à la prise de courant.

Pour régler le niveau de puissance

Le niveau de puissance se règle en appuyant sur la touche **POWER LEVEL** et sur un chiffre. Si vous souhaitez utiliser un niveau de puissance différent, appuyez sur la touche **POWER LEVEL** avant d'appuyer sur **START**. Entrez le niveau de puissance désiré en appuyant sur la touche de chiffre appropriée. Le tableau suivant montre les touches à utiliser, le message affiché et le pourcentage de puissance.

Touche Power Level + Chiffre	Niveau Puissance (Affiché)	% De Puissance Approximatif
Power Level + 1 + 0	PL10	100%
Power Level + 9	PL-9	90%
Power Level + 8	PL-8	80%
Power Level + 7	PL-7	70%
Power Level + 6	PL-6	60%
Power Level + 5	PL-5	50%
Power Level + 4	PL-4	40%

5 PROCÉDURE D'UTILISATION

Touche Power Level + Chiffre	Niveau Puissance (Affiché)	% De Puissance Approximatif
Power Level + 3	PL-3	30%
Power Level + 2	PL-2	20%
Power Level + 1	PL-1	10%
Power Level + 0	PL-0	0%

REMARQUE : Si « PL-0 » est choisi, le four fonctionnera avec le ventilateur, mais sans puissance. Vous pouvez vous servir de ce niveau pour chasser les odeurs.

Réglage de l'horloge

Lorsque l'on branche le four, l'affichage initial indique « : 0 » et un signal sonore est émis. Si l'alimentation électrique est coupée, l'affichage indiquera « : 0 » lorsque le courant sera rétabli.

1. Appuyez sur la touche **CLOCK**. L'horloge adopte un système d'affichage à 12 heures.
2. Appuyez sur la touche **CLOCK** à nouveau. L'horloge adopte un système d'affiche à 24 heures.
3. Réglez l'heure actuelle en appuyant sur les chiffres en séquence.
4. Appuyez sur la touche **CLOCK**.

Les témoins ENTER et TIME clignotent et « 12H » est affiché.

REMARQUE : Ce four possède deux systèmes d'affichage de l'heure. Si vous préférez le système à 12 heures, omettre l'étape 2.

L'affichage cesse de clignoter et les deux-points commencent à clignoter. Si vous avez choisi le système à 12 heures, cette horloge numérique accepte les heures de 1:00 à 12:59. Si vous avez choisi le système à 24 heures, cette horloge numérique accepte les heures de 0:00 à 23:59

REMARQUE :

1. Si vous tentez d'inscrire une heure incorrecte, l'horloge ne sera pas réglée et un signal d'erreur sera émis. Appuyez sur la touche **CLOCK** et entrez l'heure à nouveau.
2. Si vous voulez activer le mode d'économie d'énergie, maintenez la touche **CLOCK** enfoncée pendant trois secondes. Pour des renseignements détaillés sur cette fonction, voir la section Commandes, page 69.

Mode de minuterie pour cuisiner

Le four offre une fonction de minuterie. La minuterie fonctionne sans émettre de micro-ondes.

Comment utiliser en tant que minuterie

1. Appuyez sur la touche **KITCHEN TIMER**.
2. Inscrivez la période de temps requise.
3. Appuyez sur la touche **START**.

Les témoins ENTER et TIME clignotent et « : 0 » s'affiche. L'écran affiche votre choix.

Lorsque vous appuyez sur la touche **START**, le témoin TIME commence à clignoter et l'écran indique le temps qui s'écoule en mode de minuterie. Lorsque le temps programmé à la minuterie est écoulé, un signal sonore triple est émis.

REMARQUE : Pour activer ou désactiver le son, maintenez la touche **KITCHEN TIMER** enfoncée pendant trois secondes. Pour des renseignements détaillés sur cette fonction, voir la section Commandes, page 68.

Comment utiliser la minuterie pour retarder le mode cuisson

1. Appuyez sur la touche **KITCHEN TIMER**.
2. Inscrivez la durée (temps) souhaitée pour le délai.
3. Appuyez sur la touche **TIME COOK** pour programmer le temps de cuisson souhaité.
4. Appuyez sur la touche **START**.

Les témoins ENTER et TIME clignotent et « : 0 » s'affiche. « : 0 » est affiché. L'écran affiche votre choix.

Lorsque vous appuyez sur la touche **START**, le témoin TIME commence à clignoter et l'écran

6 COMMANDES

affiche le temps restant en mode Minuterie. Lorsque le mode Minuterie prend fin, le four produit un signal sonore. Le témoin TIME s'éteint et le témoin COOK commence à clignoter. L'écran affiche le temps qui s'écoule en mode de Temps de cuisson. Lorsque le mode Temps de cuisson se termine, un signal sonore (trois bips) est émis.

Comment régler un temps de repos (après cuisson)

1. Appuyez sur la touche **TIME COOK** pour programmer le temps de cuisson souhaité.
2. Appuyez sur la touche **KITCHEN TIMER**.
3. Inscrivez la durée (temps) désirée pour la période de repos.
4. Appuyez sur la touche **START**.

Les témoins ENTER et TIME clignotent et « : 0 » est affiché. L'écran affiche les chiffres sur lesquels vous appuyez.

Lorsque vous appuyez sur la touche START, le témoin COOK commence à clignoter et l'écran affiche le temps restant en mode Minuterie. Lorsque le mode Minuterie prend fin, le four produit un signal sonore. Le témoin TIME s'éteint et le témoin COOK commence à clignoter. L'écran affiche le temps qui s'écoule en mode de Temps de cuisson. Lorsque le mode Temps de cuisson se termine, un signal sonore (trois bips) est émis.

REMARQUE : Votre four peut être programmé pour jusqu'à 99 minutes et 99 secondes (99:99).

Décongélation minutée

Lorsque la Décongélation minutée (TIME DEFROST) est choisie, le cycle automatique divise le temps de décongélation en périodes de décongélation et de repos en activant et en désactivant l'émission de micro-ondes.

1. Appuyez une fois sur la touche **DEFROST**.

2. Appuyez sur les chiffres pour entrer le temps de décongélation souhaité.

3. Appuyez sur la touche **START**.

Le témoin DEF s'allume, les témoins ENTER et TIME clignotent et « : 0 » est affiché. « : 0 » est affiché. L'écran affiche votre choix.

Lorsque vous appuyez sur START, le témoin DEF commence à clignoter pour indiquer que le four est en mode de Décongélation minutée (Time Defrost). L'écran affiche le temps qui s'écoule pour indiquer combien de temps il reste en mode de Décongélation minutée. Le four produit des signaux sonores pendant le cycle de décongélation pour indiquer que la nourriture doit être tournée ou réarrangée. Lorsque le mode de décongélation se termine, un signal sonore triple est émis.

NOTE: Votre four peut être programmé pour jusqu'à 99 minutes et 99 secondes (99:99).

Décongélation selon le poids

Le mode Décongélation selon le poids (Weight Defrost) permet de décongeler facilement la nourriture sans avoir à deviner le temps de décongélation requis.

Suivez les étapes suivantes pour une décongélation facile.

1. Appuyez deux fois sur la touche **DEFROST**.
2. Appuyez sur les chiffres pour entrer le poids de nourriture à décongeler.
3. Appuyez sur la touche **START**.

Le témoin DEF s'allume, les témoins ENTER et LBS clignotent et « 0.0 » est affiché. L'écran affiche votre choix.

Le temps de décongélation est automatiquement déterminé selon le poids inscrit.

Lorsque vous appuyez sur START, le témoin DEF commence à clignoter et le temps de décongélation est affiché et s'écoule à l'écran. Le four

6 COMMANDES

produit des signaux sonores pendant le cycle de décongélation pour indiquer que la nourriture doit être tournée ou réarrangée. Lorsque le mode de décongélation se termine, un signal sonore triple est émis.

REMARQUE : Votre four peut être programmé de 0,2 à 6,0 lb.

Melt/Soften (Fondre/Ramollir)

La fonction MELT/SOFTEN (Fondre/Ramollir) peut être utilisée pour faire fondre ou ramollir le beurre, le chocolat, la crème glacée et les fromages. Consultez le tableau pour les réglages à utiliser.

1. Appuyez sur la touche **MELT/SOFTEN** une fois pour le beurre, deux fois pour le chocolat, trois fois pour la crème glacée et quatre fois pour le fromage.
2. Appuyez sur **START**.

Tableau des Melt/Soften

Pressions Sur la Touche	Affichage	Aliment	Poids
Une	S-1	Beurre	1/2 tasse
Deux	S-2	Chocolat	227 g (8 oz)
Trois	S-3	Crème glacée	1/2 gallon (1,9 L)
Quatre	S-4	Fromage	1 assiette

Keep Warm (Conserver chaud)

La fonction KEEP WARM garde la nourriture chaude pendant 30 minutes.

1. Appuyez sur la touche **KEEP WARM**.
2. Appuyez sur la touche **START**.

Lorsque vous appuyez sur la touche KEEP WARM, l'écran affiche « 30:00 ».

Lorsque le temps d'activation se termine, un signal sonore triple est émis.

Time Cook (Temps de cuisson)

1. Appuyez sur la touche **TIME COOK**.
2. Appuyez sur les touches de chiffre pour entrer le temps de cuisson.
3. Appuyez sur la touche **POWER LEVEL**.
4. Appuyez sur les touches de chiffre pour entrer le niveau de puissance (0 à 10).
5. Appuyez sur la touche **START**.

Le témoin COOK s'allume, les témoins ENTER et TIME clignotent et « : 0 » est affiché.

L'écran affiche votre choix.

L'affichage indique PL10 pour le niveau de puissance de 100 %. L'écran affiche de PL-0 à PL10.

Si vous sautez les étapes 3 et 4, le niveau 100 % de puissance est automatique.

Lorsque vous appuyez sur START, le témoin COOK commence à clignoter pour indiquer que la fonction de cuisson est activée. L'écran affiche le temps de cuisson restant qui s'écoule. Lorsque le temps d'activation se termine, un signal sonore triple est émis.

REMARQUE :

- Votre four peut être programmé pour jusqu'à 99 minutes et 99 secondes (99:99).
- L'utilisation des niveaux de puissance autres que 100 % augmente le temps de cuisson, ce qui est recommandé pour des aliments comme le fromage, le lait et la cuisson lente des viandes.

Cuire en deux étapes

Cette fonction vous permet de programmer une séquence de deux opérations, comme décongeler et cuire ou cuire à deux niveaux de puissance différents. Elle change automatiquement les paramètres de puissance et le temps de cuisson.

Décongeler et cuire

1. Appuyez une fois sur la touche **DEFROST**.
2. Appuyez sur les touches de chiffre pour entrer le temps de décongélation.
3. Appuyez sur la touche **TIME COOK**.
4. Appuyez sur les touches de chiffre pour entrer le temps de cuisson.
5. Appuyez sur la touche **POWER LEVEL**.
6. Appuyez sur les touches de chiffre pour entrer le niveau de puissance (0 à 10).
7. Appuyez sur la touche **START**.

Le témoin DEF s'allume, les témoins ENTER et TIME clignotent et « : 0 » est affiché. « : 0 » est affiché.

L'écran affiche votre choix.

Le témoin COOK s'allume, les témoins ENTER et TIME clignotent et « : 0 » est affiché.

L'écran affiche votre choix.

L'affichage indique PL10 pour le niveau de puissance de 100 %.

L'écran affiche de PL-0 à PL10.

Si vous sautez les étapes 5 et 6, le niveau 100 % de puissance est automatique.

Lorsque vous appuyez sur la touche START, les témoins DEF et COOK s'allument pour confirmer les niveaux de puissance choisis. Le témoin DEF commence à clignoter pour indiquer que le four est en mode de Décongélation minutée (Time Defrost).

L'écran affiche le temps qui s'écoule en mode Dé-

congélation minutée. Lorsque le four produit un signal sonore, tournez, séparez ou redistribuez la nourriture. À la fin du mode de Décongélation minutée, le four produit un signal sonore et commence le mode Cuisson (Time Cook).

Le témoin DEF s'éteint et le témoin COOK commence à clignoter. L'écran affiche le temps qui s'écoule en mode de Temps de cuisson. Lorsque le mode Temps de cuisson se termine, un signal sonore (trois bips) est émis.

REMARQUE : Votre four peut être programmé pour jusqu'à 99 minutes et 99 secondes (99:99).

Cuisson + Cuisson

1. Appuyez sur la touche **TIME COOK**.
2. Appuyez sur les touches de chiffre pour entrer le temps de cuisson.
3. Appuyez sur la touche **TIME COOK**.
4. Appuyez sur les touches de chiffre pour entrer le temps de cuisson.
5. Appuyez sur la touche **POWER LEVEL**.
6. Appuyez sur les touches de chiffre pour entrer le niveau de puissance (0 à 10).
7. Appuyez sur la touche **START**.

Le témoin COOK s'allume, les témoins ENTER et TIME clignotent et « : 0 » est affiché.

L'écran affiche votre choix.

Le témoin COOK s'allume, les témoins ENTER et TIME clignotent et « : 0 » est affiché.

L'écran affiche votre choix.

L'affichage indique PL10 pour le niveau de puissance de 100 %.

L'écran affiche de PL-0 à PL10.

Si vous sautez les étapes 5 et 6, le niveau 100 % de puissance est automatique.

Lorsque vous appuyez sur la touche START, le témoin COOK commence à clignoter pour in-

6 COMMANDES

diquer que le four est dans la première étape de cuisson.

À la fin de la première étape, le four produit un signal sonore et commence l'étape 2. L'écran affiche le temps de la deuxième étape qui s'écoule. Lorsque la deuxième étape se termine, un signal sonore (trois bips) est émis.

REMARQUE : Votre four peut être programmé pour jusqu'à 99 minutes et 99 secondes (99:99).

+30 Sec

La touche « +30 SEC » vous permet de réchauffer pendant 30 secondes à 100 % (puissance maximale) en appuyant simplement sur la touche « +30 SEC ». En appuyant plusieurs fois sur la touche « +30 SEC », vous pouvez prolonger le temps de cuisson par bonds de 30 secondes jusqu'à 99 minutes et 99 secondes.

- Appuyez sur la touche **+30 sec**.

Lorsque vous appuyez sur la touche +30 sec, l'écran affiche « :30 » et le four commence la cuisson.

REMARQUE : La touche « +30 SEC » ne peut pas être utilisée lorsque le capteur détecte de la vapeur dégagée par la nourriture pendant une cuisson par capteur, comme les modes Patates (Potato), Repas congelé (Frozen Entree), Légumes congelés (Frozen Vegetables) et Réchauffer par capteur (Sensor Reheat).

Express Cook (Cuisson express)

Le mode EXPRESS COOK est un moyen facile de choisir un temps de cuisson de 1 à 6 minutes à 100 % (pleine puissance).

- Appuyez sur l'un des boutons Express Cook (1 à 6) pour une cuisson de 1 à 6 minutes à 100 % (pleine puissance).

L'écran affiche votre choix. Après 1,5 seconde, l'écran affiche le temps de cuisson et le four commence la cuisson.

Cuisson une touche - préprogrammé (preset)

La Cuisson une touche vous permet de cuire ou de réchauffer plusieurs de vos mets préférés en appuyant sur une seule touche.

Pour augmenter la quantité, appuyez sur la touche choisie jusqu'à ce que le chiffre affiché corresponde à la quantité à cuire.

1. Appuyez sur **POPCORN** une fois pour un sac de 100 g (3,5 oz), deux fois pour un sac de 85 g (3,0 oz) et trois fois pour un sac de 50 g (1,75 oz).
2. Appuyez sur la touche **START**.

Lorsque vous appuyez sur la touche POPCORN une fois, « 3.5 » est affiché.

REMARQUE :

1. N'utilisez que des grains de maïs préemballés pour four à micro-ondes à la température ambiante.
2. Placez le sac dans le four conformément aux directives du fabricant.
3. Ne faire éclater qu'un sac de grains à la fois.
4. Une fois l'opération terminée, ouvrez le sac avec précautions : le maïs soufflé et la vapeur sont extrêmement chauds.
5. Ne faites pas chauffer les grains non éclatés une fois et ne réutilisez pas le sac.
6. Ne laissez pas le four sans surveillance lorsque vous faites éclater des grains de maïs.



MISE EN GARDE :

Si l'emballage de maïs soufflé ne correspond pas aux poids proposés, n'utilisez pas la touche POPCORN. Suivez les directives du fabricant.

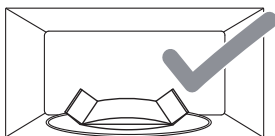
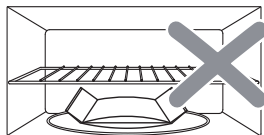
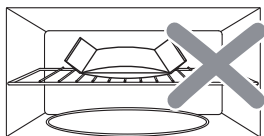
6 COMMANDES

MISE EN GARDE :

Ne laissez PAS le four à micro-ondes sans surveillance lorsque vous faites éclater des grains de maïs.

Lorsque vous faites éclater des grains de maïs préemballés, retirez la grille du four.

Ne placez pas le sac à maïs soufflé sur la grille ou sous celle-ci.



Beverage (Boisson)

1. Appuyez sur **BEVERAGE** une fois pour une tasse de boisson, deux fois pour deux tasses et trois fois pour trois tasses.
2. Appuyez sur la touche **START**.

Lorsque vous appuyez sur BEVERAGE une fois, « 1 » est affiché.

BEVERAGE (BOISSON) : 7 oz/tasse (p. ex. de café) (237 ml)

- 1 tasse (volume total de 237 mL) : appuyez sur **BEVERAGE** une fois.
- 2 tasses (volume total de 473 mL) : appuyez sur **BEVERAGE** deux fois.
- 3 tasses (volume total de 710 mL) : appuyez sur **BEVERAGE** trois fois.

Opérations avec capteur

Les catégories « Cuisson avec capteur » (Sensor Cook) sont conçues pour détecter l'humidité croissante dégagée par les aliments pendant la cuisson. Le capteur du four à micro-ondes règle automatiquement le temps de cuisson selon le type et la quantité d'aliments.

Utilisation des réglages avec capteur

1. Après avoir branché le four, attendez deux minutes avant d'utiliser la cuisson avec capteur.
2. Assurez-vous que l'extérieur du contenant utilisé pour la cuisson soit sec, tout comme l'intérieur du four. Essuyez toute présence d'humidité avec un chiffon sec ou un essuie-tout.
3. Le four est prévu pour fonctionner avec les aliments à leur température normale de rangement.
4. Une quantité d'aliments moindre ou supérieure à celle indiquée dans le tableau peut être cuite en respectant les directives d'un livre de recettes pour four à micro-ondes.
5. N'ouvrez pas la porte du four et n'appuyez pas sur la touche STOP/CLEAR avant que le temps de cuisson apparaisse sur l'écran d'affichage. Les mesures de la vapeur seraient alors interrompues. Dans une telle situation, le message d'erreur « Er01 » s'affichera. Pour poursuivre la cuisson, appuyez sur la touche STOP/CLEAR et programmez la cuisson manuellement.

Lorsque le capteur détecte la vapeur émise par les aliments, le temps de cuisson restant et qui s'écoule apparaît.

La porte peut être ouverte lorsque le temps de cuisson restant apparaît sur l'écran. Vous pouvez alors mélanger ou assaisonner la nourriture, au besoin.

6 COMMANDES

- Utilisez toujours des contenants ou de la vaisselle pouvant aller au four à micro-ondes et recouvrez-les avec un couvercle non hermétique ou avec une pellicule en plastique percée. N'utilisez jamais de contenants en plastique hermétiques. Ceux-ci empêchent la vapeur de s'échapper, ce qui trompe le capteur et mène habituellement à une cuisson excessive des aliments.
- Vérifiez que la nourriture est chaude ou cuite adéquatement à la fin de l'opération de cuisson. Si la nourriture n'est pas complètement cuite, ajoutez du temps de cuisson manuellement. N'utilisez pas l'une des catégories de cuisson avec capteur deux fois de suite pour la même portion de nourriture. Ceci pourrait avoir pour résultat des aliments beaucoup trop cuits ou brûlés.

Recouvrir les aliments

Certains aliments chauffent ou cuisent mieux quand ils sont couverts. Utilisez la méthode de recouvrement recommandée dans le Tableau de cuisson avec capteur.

- Couvercle de casserole.
- Pellicule de plastique : Utilisez une pellicule de plastique recommandée pour la cuisson à micro-ondes. Recouvrez le plat sans tenter de le sceller; laissez environ 1,5 cm non recouvert pour permettre à la vapeur de s'échapper. La pellicule ne devrait pas toucher aux aliments.
- Papier ciré : Recouvrez le plat complètement et repliez le papier en excès sous le plat pour le maintenir en place. Si le plat est plus large que le papier, faites chevaucher deux feuilles sur une distance d'au moins 2,5 cm pour recouvrir le plat.

Retirez le recouvrement avec précaution, en faisant en sorte que la vapeur ne s'échappe pas dans votre direction.

Cuisson avec capteur

Le capteur est un dispositif à semi-conducteur qui détecte la vapeur émise par les aliments qui sont chauffés. Le capteur règle le temps et la puissance de la cuisson pour divers aliments et différentes quantités; vous n'avez pas à indiquer le poids ou la quantité de nourriture.

Potato (Patate)

- Appuyez sur la touche **POTATO**.
- Appuyez sur la touche **START**.

Lorsque vous appuyez sur POTATO, « SCPO » s'affiche.

Lorsque le capteur détecte la vapeur émise par les aliments, le temps de cuisson restant et qui s'écoule apparaît.

Frozen Entree (Entree gelée)

- Appuyez sur la touche **FROZEN ENTREE**.
- Appuyez sur la touche **START**.

Lorsque vous appuyez sur FROZEN ENTREE, « SCFE » s'affiche.

Lorsque le capteur détecte la vapeur émise par les aliments, le temps de cuisson restant et qui s'écoule apparaît.

Frozen Vegetables (Légumes surgelés)

- Appuyez sur la touche **FROZEN VEGETABLES**.
- Appuyez sur la touche **START**.

Lorsque vous appuyez sur FROZEN VEGETABLES, « SCFU » s'affiche.

Lorsque le capteur détecte la vapeur émise par les aliments, le temps de cuisson restant et qui s'écoule apparaît.

6 COMMANDES

Reheat (Réchauffer)

1. Appuyez sur la touche **REHEAT**.
2. Appuyez sur la touche **START**

Lorsque vous appuyez sur REHEAT, « SrH » s'affiche.

Lorsque le capteur détecte la vapeur émise par les aliments, le temps de cuisson restant et qui s'écoule apparaît.

Tableau de cuisson avec capteur

Pressions sur la touche	Affichage	Poids	Commentaires
Potato	SCPO	225 à 680 g	Avant la cuisson, percer 5 à 6 fois les patates avec une fourchette. Placer les patates sur la plaque tournante.
Frozen Entree	SCFE	225 à 900 g	Suivre les directives pour fours à micro-ondes imprimées sur l'emballage.
Frozen Vegetables	SCFU	170 à 450 g	2 à 4 cuillerées à table d'eau par portion. Recouvrir avec un couvercle ou une pellicule percée.
Reheat	SrH	115 à 1020 g	Pour un ragoût, ajouter 2 à 3 cuillerées à table d'eau et recouvrir avec un couvercle ou une pellicule percée. • • Aliments à éviter : boissons, pizzas congelées, repas congelés, aliments crus, biscuits, gâteaux.

REMARQUE :

N'utilisez pas la cuisson avec capteur deux fois de suite pour la même portion de nourriture.

Ceci pourrait avoir pour résultat des aliments beaucoup trop cuits ou brûlés.

Si la portion doit être cuite ou chauffée davantage, utilisez la touche +30 sec ou ajoutez le temps manuellement.

- Utilisez des contenants et couvercles adéquats pour une cuisson par capteur plus efficace.

- Utilisez toujours des contenants ou de la vaisselle pouvant aller au four à micro-ondes et recouvrez-les avec un couvercle non hermétique ou une pellicule en plastique percée. N'utilisez jamais de contenants en plastique hermétiques. Ceux-ci empêchent la vapeur de s'échapper et provoquent une cuisson excessive des aliments.

Assurez-vous que l'extérieur des contenants et l'intérieur du four à micro-ondes sont secs avant de mettre de la nourriture dans le four.

Turntable On-Off (Activer et désactiver la plaque tournante)

Pour une cuisson plus efficace, la plaque tournante devrait être activée. Cependant, la plaque tournante peut être désactivée pour éviter qu'elle tourne lorsque des plats très grands sont utilisés.

- Appuyez sur la touche **TURNTABLE ON-OFF**. Les options sont affichées pendant deux secondes.

REMARQUE :

1. Cette option n'est pas disponible dans les modes Cuisson avec capteur, Cuisson une touche, Décongélation ou Fondre/ramollir.
2. Parfois, la plaque tournante devient trop chaude pour y toucher. Faites attention de pas toucher à la plaque tournante pendant et après la cuisson.
3. N'activez pas le four lorsqu'il est vide.

Vent Fan (Ventilateur d'aération)

Le ventilateur d'aération chasse les vapeurs d'eau et de cuisson produites sur la surface de cuisson de la cuisinière. Vous pouvez contrôler les deux vitesses du ventilateur en appuyant sur la touche VENT FAN.

- Appuyez sur **VENT FAN** une fois pour la vitesse Élevée, deux fois pour vitesse Basse ou trois fois pour arrêter le ventilateur. Les options sont affichées pendant deux secondes.

REMARQUE :

1. La vitesse élevée du ventilateur ne peut pas être utilisée avec la cuisson au micro-ondes.
2. Une fonction de ventilation automatique protège le micro-ondes à hotte intégrée contre une chaleur excessive provenant de la surface de cuisson sous lui. Cette fonction

active automatiquement le ventilateur à basse vitesse si une chaleur trop élevée est détectée. Si vous avez activé le ventilateur, il se pourrait que vous ne puissiez pas l'arrêter. Le ventilateur s'arrêtera automatiquement lorsque les pièces intérieures auront refroidi.

3. S'il n'y a aucune intervention d'un utilisateur pendant 10 heures, la lampe de la hotte et le ventilateur s'éteignent automatiquement pour épargner de l'énergie

Lampe de la hotte

Vous pouvez contrôler la lampe en appuyant sur la touche LIGHT.

- Appuyez sur la touche **LIGHT** une fois pour allumer la lampe ou deux fois pour l'éteindre. Les options sont affichées pendant deux secondes.

REMARQUE : S'il n'y a aucune intervention d'un utilisateur pendant 10 heures, la lampe de la hotte et le ventilateur s'éteignent automatiquement pour épargner de l'énergie.

Mode silencieux

Les signaux sonores sont fournis pour vous guider pendant le réglage et l'utilisation du four.

- Pour passer un mode silencieux, tenez la touche **KITCHEN TIMER** enfoncée pendant trois secondes. Le témoin MUTE s'allume. Pour réactiver les sons, tenez la touche **KITCHEN TIMER** enfoncée pendant trois secondes. Un signal sonore est émis et le témoin MUTE s'éteint.

Filter Reset (Réinitialisation du temps du filtre)

Si votre four est ventilé vers l'intérieur de la maison, le filtre au charbon devrait être remplacé aux six mois environ. Le filtre au charbon ne peut pas être nettoyé.

6 COMMANDES

L'indicateur FILTER s'allume lorsqu'il est temps de remplacer le filtre à charbon.

- Maintenez la touche FILTER RESET enfoncée pendant trois secondes après le remplacement du filtre. Voir le page 74.

Pour activer le mode d'économie d'énergie

Press the STOP/CLEAR pad. « :0 » or clock appears in the display.

1. Appuyez sur la touche **STOP/CLEAR**. « :0 » ou l'horloge apparaît à l'écran.
2. Maintenez la touche **CLOCK** enfoncée pendant trois secondes.

L'affichage s'éteint et un signal sonore est émis.

Pour utiliser le four en mode d'économie d'énergie, appuyez sur n'importe quelle touche.

« :0 » ou l'horloge apparaît à l'écran et le fonctionnement de toutes les touches est alors identique à celui mode normal.

Si aucune opération n'est effectuée pendant dix secondes, tout le contenu de l'affichage s'éteint.

3. Pour annuler le mode d'économie d'énergie, répétez simplement la procédure pendant que l'affichage est actif. Le mode d'économie d'énergie est annulé et un signal sonore est émis.

Le four est disponible pour un usage normal.

Verrouillage sécuritaire pour les enfants

La fonction de verrouillage sécuritaire pour les enfants verrouille le panneau de commande pour empêcher que le four soit activé accidentellement ou utilisé par des enfants.

- Pour verrouiller, maintenez la touche **STOP/CLEAR** enfoncée pendant trois secondes.

Un signal sonore est émis et « Loc » est affiché pendant trois secondes.

- Pour déverrouiller, maintenez la touche **STOP/CLEAR** enfoncée durant trois secondes. Un signal sonore est émis.

REMARQUE :

1. Lorsque le verrouillage sécuritaire est activé, il ne peut être désactivé qu'avec la touche STOP/CLEAR.
2. Le four à micro-ondes ne peut pas être utilisé lorsque le verrouillage sécuritaire pour les enfants est activé.

Pour arrêter le four lorsqu'il est en marche

1. Appuyez sur la touche STOP/CLEAR.
 - Vous pouvez réactiver le four en appuyant sur la touche START.
 - Appuyez sur STOP/CLEAR à nouveau pour effacer toutes les instructions.
 - Vous devez entrer de nouvelles instructions.
2. Ouvrez la porte.
 - Vous pouvez réactiver le four en fermant la porte et en appuyant sur la touche START.

REMARQUE : Le four cesse de fonctionner lorsque la porte est ouverte.

Grille métallique

La grille métallique crée un espace supplémentaire permettant d'utiliser plus d'un contenant à la fois.

La grille permet de faire cuire ou chauffer plusieurs plats ou aliments en même temps.

Cependant, pour cuire ou réchauffer de façon optimale, il est préférable d'utiliser la fonction de

6 COMMANDES

PLAQUE TOURNANTE et les modes de CUISSON AVEC CAPTEUR sans grille. Lorsque vous utilisez la grille, réglez le temps et le niveau de puissance manuellement.

Le four est disponible pour un usage normal.

Pour éviter d'endommager vos biens :

1. N'utilisez pas la grille lorsque vous préparez du maïs soufflé.
2. Lorsqu'utilisée, la grille doit être placée sur les quatre supports en plastique.
3. Utilisez la grille uniquement lorsque vous voulez cuire ou chauffez des aliments sur celle-ci.
4. N'utilisez jamais la grille directement sur la paroi inférieure du four.

Pour utiliser la grille métallique :

1. Mettez la grille bien en place sur les quatre supports en plastique.

La grille NE doit PAS toucher aux parois métalliques ou l'arrière du four à micro-ondes.

Laissez amplement d'espace autour des plats et entre ceux-ci. Portez une attention particulière au processus de cuisson ou de réchauffement.

2. Placez des quantités équivalentes d'aliments AU-DESSUS ET EN DESSOUS de la grille.

La quantité d'aliments doit être environ la même pour équilibrer l'énergie de cuisson.

3. Déplacez la nourriture de la grille à la plaque tournante et vice versa et mélangez-la au moins une fois pendant la cuisson ou le réchauffement.

Après la cuisson ou le réchauffement, mélangez si possible. L'utilisation d'un niveau de puissance plus bas aide à cuire et à réchauffer de façon plus uniforme.

IMPORTANT:

Pour éviter d'endommager le four, NE conservez PAS la grille métallique dans ce four, sauf lorsque vous devez l'utiliser pour faire cuire ou chauffer plus d'un plat, ou qu'une recette le demande.

Utilisation recommandée

1. Soupes
2. Ragoûts
3. Assiettes de repas

AVERTISSEMENT :

Le four devrait être nettoyé régulièrement et les dépôts d'aliments retirés.

Le défaut de maintenir le four propre pourrait mener à une détérioration de sa surface, ce qui aurait un effet négatif sur la durée de vie de l'appareil et possiblement engendrer une situation dangereuse.



Intérieur du four à micro-ondes

Débranchez le cordon d'alimentation avant de nettoyer ou laissez la porte ouverte pour le désactiver.

L'intérieur du four devrait être nettoyé après chaque utilisation au moyen d'un chiffon humide pour éviter l'accumulation de graisse et de saletés. Les saletés tenaces peuvent être retirées avec un tampon à récurer en plastique. Lorsque vous nettoyez les surfaces intérieures et celles de la porte et du four qui entrent en contact lorsque la porte est fermée, n'utilisez qu'un savon doux et non abrasif, appliqué avec une éponge ou un chiffon doux.

Vous pouvez éliminer les odeurs du four en faisant bouillir une solution d'une tasse d'eau et de plusieurs cuillerées à table de jus de citron dans le four pendant 5 à 7 minutes. Ce processus aide aussi à déloger les saletés qui ont séché. Essuyez l'excès d'humidité par la suite.

REMARQUE :

- Ne pulvérisez et ne versez pas de produits nettoyants liquides directement sur l'une des surfaces. Pulvérisez ou versez le produit sur un chiffon ou une éponge servant à nettoyer le four.
- N'utilisez pas de produits nettoyants abrasifs, de produits nettoyants pour cuisinières, de

tampons abrasifs ou de laine d'acier; ceux-ci peuvent égratigner ou ternir les surfaces du four.

- Ne retirez pas le couvercle du mécanisme de la plaque tournante et n'insérez pas la lame d'un couteau; vous pourriez endommager le couvercle ou affecter la performance de cuisson du four.

Bas du four

Nettoyez le bas du four avec de l'eau chaude et savonneuse; rincez et asséchez. N'utilisez pas une quantité d'eau excessive lorsque vous nettoyez le four, surtout autour de la plaque tournante. Ne laissez pas de l'eau ou des produits nettoyants s'infiltrer dans les engrenages de la plaque tournante, situés sous celle-ci.

Plateau de verre / Plaque tournante

Laissez le plateau refroidir avant de le retirer et le nettoyer. Lavez-le dans de l'eau savonneuse ou au lave-vaisselle.

Grille métallique

Nettoyez la grille métallique avec un savon doux et avec une brosse à récurer douce ou en nylon.

Séchez complètement.

N'utilisez pas de brosse ou de produits nettoyants abrasifs pour nettoyer la grille.

Anneau-guide

Nettoyez fréquemment pour éviter la production de bruits excessifs. Lavez-le dans de l'eau savonneuse ou au lave-vaisselle.

Extérieur du four

Essuyez l'extérieur du four avec un chiffon savonneux; rincez et séchez. N'utilisez pas de produits nettoyants abrasifs. Ils pourraient égratigner la surface.

Compartiment de la lampe

Nettoyez souvent la graisse et la poussière sur le couvercle de la lampe dessous le four à micro-ondes avec de l'eau chaude et un détergent.

Panneau de commande

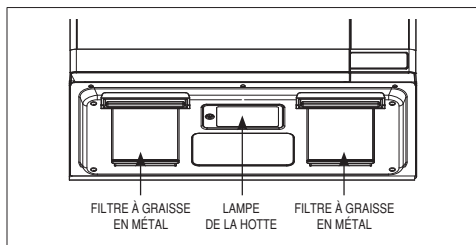
Essayez avec un chiffon humide. Séchez. Ne pulvérisez pas de produits nettoyants directement sur le panneau. Pulvérisez le produit sur un chiffon, puis essayez.

Couvercle du guide d'ondes

Le couvercle du guide d'ondes est situé sur la paroi droite du four. Il est fabriqué en mica et nécessite un entretien particulier. Gardez le couvercle du guide d'ondes propre pour assurer le rendement optimal du four. Essayez avec précautions à l'aide d'un chiffon humide les éclaboussures de la surface du couvercle immédiatement après qu'elles se soient produites. Les accumulations d'éclaboussures pourraient surchauffer et créer de la fumée ou possiblement s'enflammer. **NE RETIREZ PAS LE COUVERCLE DU GUIDE D'ONDES.**

Le système de ventilation

Le système de hotte avec ventilation de votre micro-ondes à hotte intégrée est muni de deux filtres en métal qui recueillent la graisse. Lorsque le ventilateur est en fonction, l'air est aspiré à travers les filtres, puis évacué à travers les tuyaux jusqu'à l'extérieur, ou vers les filtres au charbon si l'air n'est pas évacué vers l'extérieur.



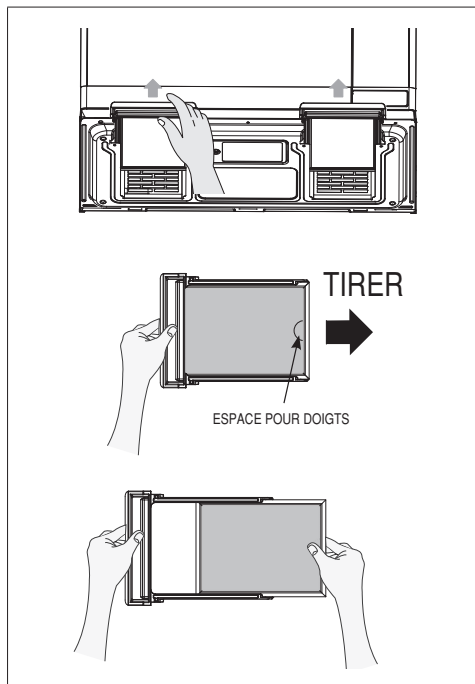
Filtres à graisse réutilisables

Les filtres à graisse réutilisables devraient être nettoyés au moins une fois par mois. N'utilisez jamais le micro-ondes à hotte intégrée sans les filtres en place. Si des flammes venaient à être produites en dessous de la hotte, les filtres empêcheraient les flammes de s'introduire dans l'appareil.

Pour retirer les filtres à graisse

Pour retirer le support de filtre à graisse, tirez la languette vers l'avant du four. Répétez pour le second support de filtre à graisse.

Pour retirer le filtre à graisse du support, tirez en utilisant l'« espace pour doigts » illustré ci-dessous.



Nettoyer les filtres à graisse

Pour nettoyer les filtres à graisse, faites tremper et agitez-les dans une solution d'eau chaude et de savon. N'utilisez pas d'ammoniac ni de produits contenant de l'ammoniac; ceux-ci assombrissent le métal. Vous pouvez les brosser doucement pour déloger les saletés incrustées. Rincez, agitez et asséchez avant de les remettre en place.

Remettre les filtres à graisse en place

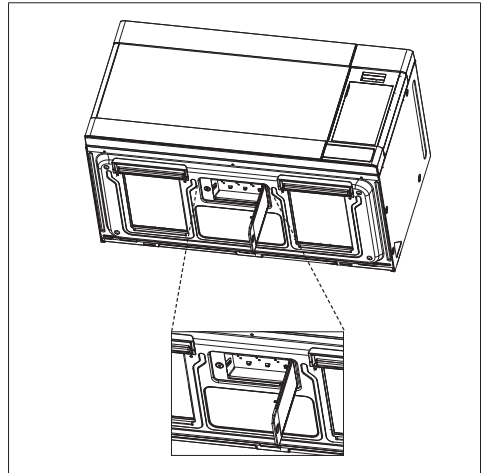
Pour remettre un filtre à graisse en place, glissez-le dans le support de filtre à graisse. Insérez le support dans la zone désignée sous le four. Répétez pour le second filtre à graisse.

Remplacement des ampoules de lumière

Lampe de la hotte

Lorsque vous remplacez l'ampoule de la lampe de la hotte, portez des gants pour éviter que la chaleur de l'ampoule ne vous blesse.

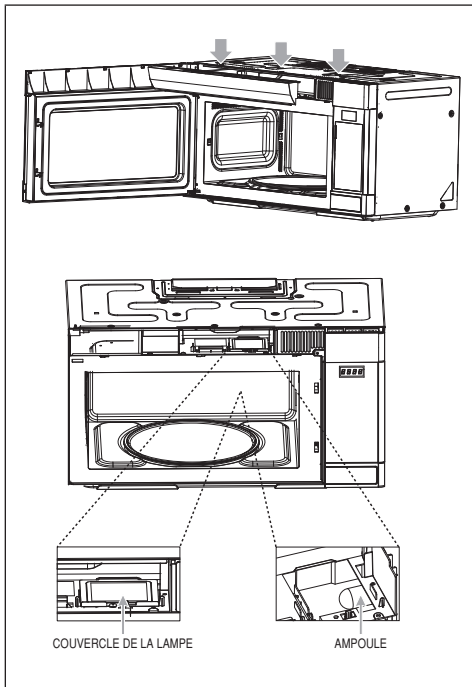
1. Débranchez le four à micro-ondes ou coupez le courant directement au panneau de distribution électrique.
2. Retirez la vis du couvercle de la lampe et abaissez le couvercle jusqu'à son arrêt.
3. Retirez la vis au centre de la lampe à DEL fixant celle-ci au couvercle et sortez la lampe.
4. Remplacer l'ampoule à DEL par une ampoule identique de 1,0 watt disponible chez votre vendeur autorisé et fixer avec la vis.
5. Remettez le couvercle en place, puis la vis.
6. Rebranchez l'appareil ou rétablissez le courant au panneau de distribution.



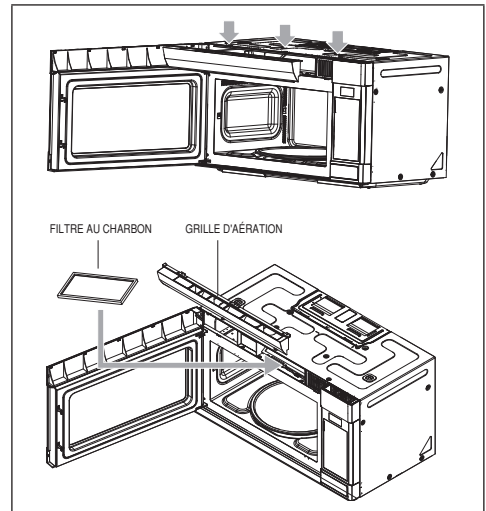
Lampe du four

Lorsque vous remplacez la lampe du four, assurez-vous de porter des gants pour éviter que la chaleur de la lampe ne vous blesse.

1. Débranchez le four à micro-ondes ou coupez le courant directement au panneau de distribution électrique.
2. Retirez les 3 vis de montage de la grille d'aération et ouvrez la porte.
3. Glissez la grille d'aération vers la gauche, puis tirez pour l'enlever.
4. Retirez le filtre à charbon, le cas échéant.
5. Tirez légèrement sur le crochet et retirez le cache de la lampe.
6. Remplacez l'ampoule par une ampoule de 30 watts, disponible chez votre revendeur agréé.
7. Remplacez le cache de la lampe.
8. Remplacez la grille d'air et les 3 vis et fermez la porte.
9. Branchez le four ou allumez l'alimentation électrique.



5. Glissez en place un filtre au charbon neuf. Le filtre devrait reposer avec un angle d'inclinaison.
6. Remplacez la grille d'aération et les 3 vis de montage et fermez la porte.
7. Rebranchez le four à micro-ondes ou rétablissez le courant au panneau de distribution.



Installer /remplacer le filtre au charbon

Filtre au charbon

Si votre four n'est pas ventilé vers l'extérieur, le filtre au charbon devrait être remplacé tous les six mois environ.

Vous pouvez acheter le filtre au charbon en composant Blomberg.

1. Débranchez le four à micro-ondes ou coupez le courant directement au panneau de distribution électrique.
2. Retirez les 3 vis de montage de la grille d'aération et ouvrez la porte.
3. Glissez la grille d'aération vers la gauche, puis tirez pour l'enlever.
4. Poussez le filtre au charbon vers l'arrière et retirez-le.

8 AVANT D'APPELER

Vérifiez les points suivants pour vous assurer qu'un appel d'entretien est nécessaire :

Si aucune partie du four ne fonctionne :

- Vérifiez si un fusible sauté ou un disjoncteur ouvert a coupé le courant.
- Vérifiez si le four est branché correctement au circuit électrique de la maison.
- Vérifiez que les commandes sont réglées correctement.
- Vérifiez que le temps de cuisson est réglé.

Si la lampe à l'intérieur du four ne fonctionne pas :

- La lampe à DEL est peut-être desserrée ou défectueuse. Voir les pages 73 à 74 ou appeler un technicien qualifié.

Si le four ne réchauffe pas les aliments :

- Vérifiez si le panneau de commande a été programmé correctement.
- Vérifiez que la porte se ferme solidement.
- Vérifiez que vous avez appuyé sur la touche START.
- Un démarrage automatique a peut-être été programmé.
- Le Verrouillage sécuritaire pour les enfants a peut-être été activé.
- Vérifiez l'espace entre la porte et le joint d'étanchéité à la recherche d'une obstruction.

Si le four prend plus de temps qu'à l'habitude pour chauffer / cuire la nourriture ou le fait trop rapidement :

- Assurez-vous que le niveau de puissance est programmé correctement.
- Vérifiez les instructions sur la densité de la nourriture, etc.
- Vérifiez que la tension fournie au four à micro-ondes n'est pas trop basse.

Si l'horloge ne maintient pas l'heure correctement :

- Vérifiez que la fiche du cordon d'alimentation est insérée complètement dans la prise.
- Vérifiez que le four est mis à la terre correctement.
- Essayez de brancher le four dans une prise d'un circuit électrique différent.

Si le bas du four ou le plateau en verre sont chauds :

- Il s'agit d'une situation normale. La base du four absorbe la chaleur dégagée par les aliments.

Si l'intérieur du four devient humide :

- Il s'agit d'une situation normale. Les aliments dégagent de l'humidité pendant le processus de cuisson et la vapeur s'accumule sur la porte et sur les surfaces du four. Essuyez l'excès d'humidité après chaque utilisation.

Si la nourriture ne cuit pas de façon uniforme :

- Consultez la recette et suivez la procédure de cuisson correctement.
- Assurez-vous que les aliments sont distribués uniformément.
- Assurez-vous que les aliments sont entièrement décongelés avant de les cuire.
- Vérifiez la disposition des bandes d'aluminium utilisées pour éviter une cuisson excessive.

Si la nourriture n'est pas assez cuite :

- Vérifiez la recette et assurez-vous de suivre correctement toutes les directives (quantité, temps et niveau de puissance).
- Vérifiez la tension électrique fournie par la prise de courant.
- Essayez de brancher le four dans une prise d'un circuit électrique différent.
- Assurez-vous que les aliments sont entièrement décongelés avant de les cuire.

Si la nourriture est trop cuite :

- Vérifiez la recette et assurez-vous de suivre correctement toutes les directives (quantité, temps et niveau de puissance).
- La température initiale des aliments était peut-être plus élevée qu'à la normale.

Si des étincelles se produisent :

- Assurez-vous d'utiliser seulement des plats convenant aux fours à micro-ondes.
- Vérifiez l'absence d'attaches contenant un fil métallique.
- Assurez-vous de ne pas activer le four lorsqu'il est vide.

Si l'écran affiche une période de temps qui s'écoule, mais que le four ne cuit/chauffe pas :

- Vérifiez que la porte se ferme solidement.

9 QUESTIONS ET RÉPONSES

Q : J'ai accidentellement activé mon four à micro-ondes sans aucun aliment à l'intérieur. Est-il endommagé?

R : Faire fonctionner le four vide pendant une courte période n'endommage pas le four. Cependant, ce n'est pas recommandé.

Q : Peut-on utiliser le four sans la plaque de verre et l'anneau-guide?

R : Non. Le plateau de verre et l'anneau-guide doivent toujours être en place avant d'activer la cuisson.

Q : Puis-je ouvrir la porte pendant que le four est en marche?

R : La porte peut être ouverte à n'importe quel moment pendant l'opération de cuisson/chauffage. L'émission de micro-ondes sera instantanément interrompue et le réglage du temps sera maintenu jusqu'à ce que la porte soit refermée.

Q : Que signifie le message « Er01 »?

R : « Er01 » signifie ERREUR DE CAPTEUR et il apparaît si vous ouvrez la porte ou appuyez sur la touche STOP/CLEAR avant que le temps de cuisson soit affiché. Pour poursuivre la cuisson, appuyez sur la touche STOP/CLEAR et programmez la cuisson manuellement.

Q : Pourquoi y a-t-il de l'humidité dans le four à micro-ondes après une utilisation?

R : L'humidité sur les parois du four à micro-ondes est normale. Elle est causée par la vapeur qui s'échappe durant la cuisson/ le chauffage des aliments et qui entre en contact avec les surfaces froides du four.

Q : Le four à micro-ondes sera-t-il endommagé s'il est activé pendant qu'il est vide?

R : Oui. Ne le faites jamais fonctionner lorsqu'il est vide.

Q : Pourquoi mes œufs éclatent-ils parfois?

R : Lors de la cuisson d'œufs ou d'œufs pochés, le jaune est susceptible d'éclater en raison de la vapeur qui s'accumule à l'intérieur de la membrane. Pour prévenir ceci, il suffit de percer le jaune avec un cure-dents avant de le faire cuire. Ne faites jamais cuire des œufs sans en percer la coquille.

Q : À quoi sert le temps de repos recommandé après l'opération de cuisson?

R : Le temps de repos est très important. Avec la cuisson par micro-ondes, la chaleur est générée dans les aliments et non dans le four. Plusieurs aliments génèrent suffisamment de chaleur interne pour permettre au processus de cuisson de se poursuivre, même après que l'aliment ait été sorti du four. Le temps de repos pour les morceaux de viande, les gros légumes et les gâteaux sert à permettre à l'intérieur de cuire complètement, sans endommager l'extérieur.

Q : Que signifie « temps de repos »?

R : « Temps de repos » signifie que la nourriture doit être retirée du four et recouverte pour une période de temps supplémentaire pour lui permettre de terminer sa cuisson. Ceci libère le four pour d'autres besoins de cuisson.

Q : Comment se fait-il que parfois, mon four ne cuise pas aussi rapidement que l'indique le guide de cuisson?

R : Vérifiez à nouveau votre guide de cuisson pour vous assurer que vous avez suivi les instructions avec précision et pour voir ce qui pourrait causer des variations dans le temps de cuisson. Les temps et les réglages de chaleur du guide de cuisson sont des suggestions qui ont pour but d'aider à éviter la cuisson excessive... le problème le plus commun pour ceux qui tentent de s'habituer à un four à micro-ondes.

Des variations dans la quantité, la forme, le poids et les dimensions pourraient nécessiter un temps de cuisson plus long. Utilisez votre propre jugement ainsi que les suggestions du guide de cuisson afin de vérifier si les aliments ont été cuits adéquatement, comme vous le feriez avec un four conventionnel.

Q : Est-ce que l'énergie des micro-ondes traverse le treillis (écran) de la porte du four?

R : Non. L'énergie frappe le treillis métallique et est redirigée vers l'intérieur du four. Les trous permettent à la lumière de passer au travers. Par contre, ils ne laissent pas les micro-ondes les traverser.

Q : Puis-je faire fonctionner mon four à micro-ondes sans plaque tournante ou retourner la plaque tournante pour soutenir un grand plat?

R : Non. Si vous enlevez ou retournez la plaque tournante, vous obtiendrez de piètres résultats de cuisson. Les plats utilisés dans votre four doivent pouvoir tenir sur la plaque tournante.

Q : Est-ce normal que la plaque tournante tourne dans les deux directions?

R : Oui. La plaque tournante tourne en sens horaire ou antihoraire, selon la rotation du moteur au moment où le cycle de cuisson commence.

Q : Puis-je faire éclater des grains de maïs (préparer du popcorn) dans le four à micro-ondes? Comment obtenir les meilleurs résultats?

R : Oui. Utilisez les préparations en sachet pour micro-ondes et suivez les directives sur le paquet. N'utilisez pas des sacs de papier ordinaire. Utilisez la « méthode à l'oreille », qui consiste à arrêter la cuisson dès que les bruits d'éclatement ralentissent à un éclatement à toutes les 1 ou 2 secondes. Ne tentez pas de faire éclater les grains qui n'ont pas éclaté. Ne faites pas éclater des grains de maïs dans des plats en vitre.

10 INSTRUCTIONS POUR LA CUISSON

Guide pour les ustensiles

N'utilisez que de la vaisselle et des contenants pouvant aller au four à micro-ondes.

Pour faire cuire des aliments au four à micro-ondes, les micro-ondes doivent pouvoir pénétrer les aliments, sans être réfléchies ou absorbées par la vaisselle utilisée. Il faut donc choisir la vaisselle avec soin. Si un plat est identifié « convient aux micro-ondes », vous n'avez pas à vous inquiéter. Le tableau qui suit dresse la liste des différents ustensiles et accessoires et indique s'ils peuvent ou non être utilisés dans un four à micro-ondes.

● Utilisation recommandée, ▲ Utilisation limitée, ✕ Non recommandé

Ustensile ou accessoire	Sécuritaire	Commentaires
Pellicule d'aluminium	▲	Peut être utilisé en petites quantités pour protéger des zones contre la cuisson excessive. Des jaillissements d'étincelles pourraient se produire si la pellicule d'aluminium est trop près de la paroi du four ou si une trop grande quantité est utilisée.
Récipient à technologie « Crisp Plate »	●	Ne pas préchauffer pendant plus de 8 minutes.
Porcelaine et grès	●	La porcelaine, la poterie, la terre cuite glacée et la porcelaine anglaise tendre conviennent habituellement, si elles ne sont pas décorées avec une bordure métallique.
Assiettes en carton polyester jetables	●	Certains repas congelés sont préparés dans ces types de plats.
Emballage à « fast-food »		
• Gobelets en polystyrène	●	Peuvent être utilisés pour réchauffer des aliments. Une chaleur excessive pourrait faire fondre le polystyrène.
• Sacs de papier ou papier journal	✕	Pourraient s'enflammer.
• Papier recyclé ou bandelettes de métal	✕	Pourraient causer un jaillissement d'étincelles.
Vaisselle en verre		
• Plats du four à la table	●	Peuvent être utilisés, si ne sont pas décorés d'une bordure en métal.

10 INSTRUCTIONS POUR LA CUISSON

Ustensile ou accessoire	Sécuritaire	Commentaires
<ul style="list-style-type: none"> Vaisselle fine 	●	Peuvent être utilisés pour réchauffer des aliments ou les liquides. Le verre délicat peut se briser ou fissurer s'il est chauffé soudainement.
<ul style="list-style-type: none"> Pots en verre 	●	Le couvercle doit être enlevé. Convenable uniquement pour réchauffer.
Métal		
<ul style="list-style-type: none"> Assiettes 	✗	Peuvent causer un jaillissement d'étincelles ou un incendie.
<ul style="list-style-type: none"> Attaches avec fil métallique 	✗	Peuvent causer un jaillissement d'étincelles ou un incendie.
Papier		
<ul style="list-style-type: none"> Assiettes, gobelets, serviettes et essuie-tout 	●	Pour de courtes périodes de cuisson et de réchauffement. Aussi pour absorber l'excès d'humidité.
<ul style="list-style-type: none"> Papier recyclé 	✗	Pourraient causer un jaillissement d'étincelles.
Plastique		
<ul style="list-style-type: none"> Contenant 	●	Particulièrement s'il s'agit de thermoplastique résistant à la chaleur. D'autres types de plastiques peuvent se déformer ou se décolorer aux températures élevées. Ne pas utiliser de mélamine.
<ul style="list-style-type: none"> Pellicule cellophane 	●	Peut être utilisée pour retenir l'humidité. Ne devrait pas toucher aux aliments. Attention lorsque vous retirez la pellicule; de la vapeur brûlante pourrait s'échapper.
<ul style="list-style-type: none"> Sacs de congélation 	▲	Uniquement si résistants à l'ébullition ou convenant aux fours à micro-ondes. Ne devraient pas être fermés hermétiquement. Percer avec une fourchette si nécessaire.
Papier ciré ou sulfurisé	●	Peut être utilisée pour retenir l'humidité et prévenir les éclaboussures.

● Utilisation recommandée, ▲ Utilisation limitée, ✗ Non recommandé

Utilisez votre four à micro-ondes de façon sécuritaire

Utilisation générale

- Ne tentez pas de déjouer ou d'altérer les verrouillages de sécurité.
- Ne placez aucun objet entre le cadre avant du four et la porte, et ne laissez pas des résidus s'accumuler sur les surfaces d'étanchéité. Essuyez avec un savon doux, rincez et faites sécher. N'utilisez jamais de poudres ou de tampons abrasifs.
- Ne pas soumettre la porte du four à une pression ou à un poids, comme un enfant qui s'accroche à la porte ouverte. Ceci pourrait faire tomber le four vers l'avant, causer des blessures ainsi qu'endommager le four.
- N'utilisez pas le four si les joints de la porte ou les surfaces d'étanchéité sont endommagés, ou si la porte est tordue, ou si les pentures sont lâches ou brisées.
- N'activez pas le four lorsqu'il est vide. Ceci risque d'endommager le four.
- Ne tentez pas de faire sécher des vêtements, des journaux ou d'autres matériaux dans le four. Ceux-ci pourraient s'enflammer.
- N'utilisez pas des produits en papier recyclé, puisqu'ils pourraient contenir des impuretés susceptibles de causer des étincelles ou un incendie.
- Ne tapez ni ne frappez pas le panneau de commande avec des objets durs. Ceci risque d'endommager le four.

Aliments

- N'utilisez jamais votre four à micro-ondes pour faire des conserves maison. Le four n'est pas conçu pour faire des conserves adéquates. Des aliments mis en conserve de manière in-

adéquate peuvent se gâcher et être dangereux si consommés.

- Utilisez toujours le temps de cuisson minimum pour la recette. Il est préférable de cuire insuffisamment que de trop cuire.
- Les aliments cuits insuffisamment peuvent être retournés au four pour une cuisson supplémentaire. S'ils sont trop cuits, cela ne se corrige pas.
- Chauffez avec précaution les petites quantités d'aliments ou les aliments contenant peu d'humidité. Ceux-ci peuvent sécher, brûler ou s'enflammer rapidement.
- Ne faites pas chauffer des œufs dans leur coquille. La pression risque de s'accumuler et faire exploser les œufs.

Les patates, les pommes, jaunes d'œuf et saucisses sont des exemples d'aliments avec des pellicules non poreuses.

Celles-ci doivent être percées avant la cuisson pour éviter les éclatements.

- Ne tentez pas de faire frire des aliments dans un bain d'huile ou de graisse fondue dans un four à micro-ondes.
- Laissez toujours un temps de repos d'au moins 20 secondes après l'extinction du four, pour permettre à la température de se répandre, si nécessaire, mélangez durant le processus de chauffage et mélangez TOUJOURS après le chauffage. Pour prévenir les bouillonnements avec éclaboussures et les risques de brûlures, vous devriez mettre une cuillère ou une tige de verre dans les breuvages et brasser avant, durant et après le chauffage.
- Ne laissez pas le four à micro-ondes sans surveillance lorsque vous faites éclater des grains de maïs. Ne faites pas du maïs soufflé dans un sac de papier, à moins qu'il s'agisse d'un produit pour maïs soufflé au micro-ondes commercial. Les grains de maïs peuvent sur-

10 INSTRUCTIONS POUR LA CUISSON

chauffer et faire s'enflammer un sac de papier brun. Ne dépassez pas le temps de chauffage suggéré par le fabricant de sachets préparés de maïs à éclater.

Des temps plus longs ne donneront pas davantage de grains éclatés, mais cela pourrait faire brûler les grains déjà éclatés ou provoquer un incendie. N'oubliez pas, le sac de maïs éclaté et le plateau pourraient être trop chauds pour les manipuler. Retirer avec précaution et utiliser des mitaines pour le four.

Jaillissements d'étincelles

Si vous voyez des étincelles, ouvrez la porte et corrigez le problème.

Scientifiquement parlant, on parle de formation d'arcs électriques. Les étincelles sont causées par :

- Le métal ou une pellicule d'aluminium qui touche une paroi du four.
- Une pellicule d'aluminium qui n'est pas moulée sur la nourriture (les rebords tournés vers le haut agissent comme des antennes).
- Le métal, comme celui des attaches avec fil métallique, les agrafes à volaille ou la vaisselle avec bordure dorée, dans le four à micro-ondes.
- Les papiers recyclés contenant de minuscules pièces métalliques utilisés dans le four à micro-ondes.
- La saleté ou la graisse sur le couvercle du guide d'ondes.

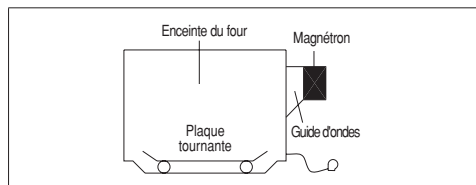
Principes des micro-ondes

L'énergie des micro-ondes est utilisée pour cuire et chauffer les aliments depuis les premières expériences avec les radars au cours de la Deuxième Guerre mondiale. Les micro-ondes sont présentes en tout temps dans l'atmosphère, à la fois de sources naturelles et humaines. Les

sources humaines comprennent les radars, les ondes radio et de télévision, les liens de télécommunication et les téléphones cellulaires.

Comment les micro-ondes cuisent les aliments

Dans un four à micro-ondes, l'électricité est convertie en micro-ondes par le MAGNÉTRON.

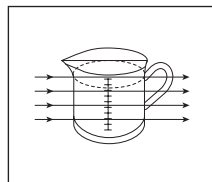


Réflexion

Les micro-ondes rebondissent sur les parois métalliques et le treillis métallique de la porte.

Transmission

Elles traversent les contenants de cuisson et sont absorbées par les molécules d'eau dans les aliments; tous les aliments contiennent



de l'eau en plus ou moins grande quantité.

Absorption

Les micro-ondes font vibrer les molécules d'eau, ce qui cause de la FRICTION, c'est-à-dire de la CHALEUR. C'est cette chaleur qui cuit les aliments. Les micro-ondes sont aussi attirées par les particules de graisse et de sucre, et les aliments qui en contiennent beaucoup cuisent plus rapidement. Les micro-ondes ne peuvent pénétrer qu'à une profondeur de 1,5 à 2 pouces (4 à 5 cm) et tout comme la chaleur se répand à travers les aliments par conduction, comme dans les fours traditionnels, les aliments cuisent de l'extérieur vers l'intérieur.

10 INSTRUCTIONS POUR LA CUISSON

Taleaux de conversion

MESURES DE POIDS	
15 g	1/2 oz
25 g	1 oz
50 g	2 oz
100 g	4 oz
175 g	6 oz
225 g	8 oz
450 g	1 lb

MESURES DE VOLUME	
30 ml	1 oz liq.
100 ml	3 oz liq.
150 ml	5 oz liq. (1/4 chop.)
300 ml	10 oz liq. (1/2 chop.)
600 ml	20 oz liq. (1 chop.)

CUILLERÉES	
1,25 ml	1/4 c. à thé
2,5 ml	1/2 c. à thé
5 ml	1 c. à thé
15 ml	1 c. à table

MESURES DE LIQUIDE		
1 tasse	8 oz liq.	240 ml
1 chopine	16 oz liq. (imp. = 20 oz liq.)	480 ml (imp. = 560 ml)
1 pinte	32 oz liq. (imp. = 40 oz liq.)	960 ml (imp. = 1120 ml)
1 gallon	128 oz liq. (imp. = 160 oz liq.)	3840 ml (imp. = 4500 ml)

Techniques de cuisson

Stemps de repos

Les aliments denses, par exemple la viande, les pommes de terre en robe des champs, ont besoin d'un temps de repos (à l'intérieur ou à l'extérieur du four) après la cuisson, pour permettre à la chaleur de répandre et de cuire le centre complètement. Enveloppez les morceaux de viande et les pommes de terre en robe des champs dans une pellicule d'aluminium pendant cette période. Les morceaux de viande ont besoin d'environ 10 à 15 minutes, les pommes de terre, 5 minutes. D'autres aliments, comme les repas en assiette, les légumes, le poisson, etc., nécessitent un temps de repos de 2 à 5 minutes. Après la décongélation d'aliments, un temps de repos devrait aussi être alloué. Si la nourriture n'est pas cuite après le temps de repos, retourner au four pour un temps de cuisson supplémentaire.

Contenu en humidité

Plusieurs aliments frais, comme les légumes et les fruits, ont un taux d'humidité variable selon la saison, particulièrement les pommes de terre. Pour cette raison, les temps de cuisson pourraient devoir être ajustés. Les ingrédients secs, p. ex. le riz et les pâtes, peuvent s'assécher pendant leur entreposage, ce qui peut faire varier les temps de cuisson.

Densité

Des aliments poreux et légers chauffent plus rapidement que les aliments denses et lourds.

Pellicule cellophane

Une pellicule cellophane aide à conserver l'humidité des aliments et la vapeur piégée aide à accélérer le temps de cuisson. Percez la pellicule avant de la mettre au four pour permettre à l'excès de vapeur de s'échapper. Soyez toujo-

10 INSTRUCTIONS POUR LA CUISSON

urs prudent(e) en retirant la pellicule cellophane d'une assiette, puisque la vapeur accumulée est très chaude.

Forme

Les formes uniformes cuisent uniformément. Les aliments cuisent mieux au four à micro-ondes dans un contenant rond que dans un contenant carré.

Espacement

Les aliments cuisent plus rapidement et uniformément lorsqu'ils sont séparés. N'empilez JAMAIS les aliments l'un par-dessus l'autre.

Température de départ

Plus les aliments sont froids, plus ils prendront de temps à chauffer. Le même aliment sortant du frigo prendra plus de temps à réchauffer que celui à la température de la pièce.

Liquides

Tous les liquides doivent être brassés avant et pendant le processus de chauffage. L'eau, plus particulièrement, doit être brassée avant et pendant le processus de chauffage, pour éviter une éruption. Ne chauffez pas des liquides qui ont déjà bouilli. NE SURCHAUFFEZ PAS.

Retourner et mélanger

Certains aliments doivent être mélangés pendant la cuisson. La viande et la volaille devraient être retournées à mi-chemin du temps de cuisson.

Disposition

Les aliments individuels, comme les portions de poulet ou les côtelettes, devraient être placés dans une assiette de manière à ce que les parties les plus épaisses soient placées vers l'extérieur.

Quantité

Les petites quantités cuisent plus rapidement que les grandes quantités. Aussi, les petits repas se réchaufferont plus rapidement que les grosses portions.

Perçage

La peau ou la membrane de certains aliments provoqueront une accumulation de vapeur pendant la cuisson. Ces aliments doivent être percés ou une bande de peau devrait être retirée avant la cuisson pour permettre à la valeur de s'échapper. Les œufs, les patates, les pommes, les saucisses, etc., doivent être percés avant la cuisson. **NE TENTEZ PAS DE FAIRE BOUILLIR DES OEUFS DANS LEUR COQUILLE.**

Recouvrir

Recouvrez les aliments avec une pellicule ou un couvercle convenant au four à micro-ondes. Recouvrez le poisson, les légumes, les ragoûts et les soupes. Ne couvrez pas les gâteaux, sauces, pommes de terre en robe des champs, ni les pâtisseries.

Guide de décongélation

- Ne décongelez pas de la viande emballée. L'emballage pourrait entraîner un processus de cuisson. Retirez toujours la barquette et la pellicule de plastique. N'utilisez que des contenants convenant aux fours à micro-ondes.
- Commencez à décongeler une volaille entière avec la poitrine vers le bas. Commencez à décongeler des rôtis le côté gras vers le bas.
- La forme de l'emballage altère le temps de décongélation. Des formes rectangulaires minces décongèlent plus rapidement qu'un bloc épais.

10 INSTRUCTIONS POUR LA CUISSON

- Vérifiez l'aliment après qu'un tiers (1/3) du temps de décongélation se soit écoulé. Vous pourriez vouloir les retourner, les séparer, les réarranger ou retirer des parties décongelées.
- Pendant la décongélation, le four pourrait vous indiquer de retourner la nourriture. À ce moment, ouvrez la porte du four et vérifiez vos aliments. Utilisez les techniques décrites ci-dessous pour des résultats de décongélation optimaux.

Puis fermez la porte du four, appuyez sur la touche START pour terminer la décongélation.

- Lorsque décongelés, les aliments devraient être frais ou froids, mais ramollis dans toutes ses parties. Si encore un peu glacé, retourner brièvement au four à micro-ondes ou laisser reposer quelques minutes. Après la décongélation, laisser les aliments reposer de 5 à 60 minutes s'il y a des parties encore glacées.

Les volailles et les poissons peuvent être placés sous de l'eau courante jusqu'à ce qu'ils soient décongelés.

- Retourner : rôtis, côtes levées, volailles entières, poitrines de dinde, saucisses à hot-dog, saucisses, steaks et côtelettes.
- Réarranger : séparez les steaks, côtelettes, galettes pour hamburger, viande hachée, morceaux de poulet ou de fruits de mer, cubes de viande comme le boeuf à ragoût.
- Protéger : utilisez des bandelettes de pellicule d'aluminium pour protéger des zones minces ou les rebords des aliments à forme irrégulière, comme les ailes de poulet. Pour prévenir le jaillissement d'étincelles, ne permettez pas à la pellicule d'aluminium d'approcher à moins d'un (1) pouce des parois ou de la porte du four.
- Retirer : pour éviter la cuisson, les portions décongelées devraient être retirées du four. Ceci pourrait raccourcir le temps de décongélation pour les aliments de moins de 3 lb (1350 g).

Tableau de décongélation (avec time defrost)

Article	Poids	Temps de décongélation	Temps de repos	Techniques spéciales
BOEUF				
Boeuf haché	1 lb / 450 g	8 - 10 min.	15 - 20 min.	Séparer et retirer les portions décongelées avec une fourchette.
Viande à ragoût	1,5 lb / 675 g	12 - 14 min.	25 - 30 min.	Séparer et réarranger.
Galettes	4 (4 oz / 110 g)	6 - 8 min.	15 - 20 min.	Retourner à la moitié du temps.

10 INSTRUCTIONS POUR LA CUISSON

Tableau de décongélation (avec time defrost)

Article	Poids	Temps de décongélation	Temps de repos	Techniques spéciales
PORC				
Côtes levées	1 lb / 450 g	6 - 8 min.	25 - 30 min.	Séparer et réarranger une fois.
Côtelettes	4 (5 oz / 125 g)	6 - 8 min.	25 - 30 min.	Séparer et retourner une fois.
Porc haché	1 lb / 450 g	7 - 8 min.	15 - 20 min.	Séparer et retirer les portions décongelées avec une fourchette.
VOLAILLE				
Poulet entier	2,5 lb / 1125 g	22 - 24 min.	45 - 90 min.	Poitrine vers le bas. Retourner à la moitié du temps. Protéger des parties au besoin.
Poitrines de poulet	1 lb / 450 g	8 - 10 min.	15 - 30 min.	Séparer et réarranger une fois.
Poulet frit (découpé)	2 lb / 900 g	17 - 19 min.	25 - 30 min.	Séparer et réarranger une fois.
Cuisses de poulet	1,5 lb / 675 g	12 - 14 min.	15 - 30 min.	Séparer et réarranger une fois.
POISSON ET FRUITS DE MER				
Poisson entier	1 lb / 450 g	6 - 8 min.	15 - 20 min.	Retourner à la moitié du temps. Protéger des parties au besoin.
Filets de poisson	1,5 lb / 675 g	8 - 10 min.	15 - 20 min.	Retourner à la moitié du temps. Protéger des parties au besoin.
Crevettes	0,5 lb / 225 g	2 - 3 min.	15 - 20 min.	Retourner à la moitié du temps. Protéger des parties au besoin.

10 INSTRUCTIONS POUR LA CUISSON

Tableau de cuisson

Article	Niveau de puissance	Temps de cuisson par lb / 450 g	Instructions spéciales
VIANDE			<ul style="list-style-type: none"> • La viande et la volaille réfrigérées devraient être sorties du réfrigérateur au moins 30 minutes avant la cuisson. • Toujours laisser la viande et la volaille reposer recouvertes après la cuisson.
Pièce de bœuf - Saignant	PL-8	6 - 8 min.	
- C. moyenne	PL-8	7 - 10 min.	
- Bien cuit	PL-8	9 - 11 min.	
Pièce de porc	PL10	9 - 12 min.	
Pièce de lard	PL10	5 - 7 min.	
VOLAILLE			
Poulet entier	PL10	4 - 9 min.	
Portions de poulet	PL-8	5 - 7 min.	
Poitrine (désossée)	PL-8	6 - 8 min.	
POISSON ET FRUITS DE MER			<ul style="list-style-type: none"> • Badigeonner le poisson d'un peu d'huile ou de beurre fondu, ou ajouter 15 à 30 ml (1 à 2 c. à table) de jus de citron, vin, bouillon, lait ou eau. • Toujours laisser le poisson reposer recouvert après la cuisson.
Filets de poisson	PL10	3 - 5 min.	
Maquereau entier, nettoyé et préparé	PL10	3 - 5 min.	
Truite entière, nettoyée et préparée	PL10	4 - 6 min.	
Darnes de saumon	PL10	4 - 6 min.	

REMARQUE : Les temps inscrits ci-dessus doivent être considérés comme un guide uniquement. Vous pouvez les modifier en fonction des goûts et préférences. Les temps peuvent varier selon la forme, la coupe et la composition des aliments. Les viandes, volailles et poissons congelés doivent être complètement décongelés avant de les cuire.

10 INSTRUCTIONS POUR LA CUISSON

Réchauffage

- La nourriture pour bébés doit particulièrement être vérifiée soigneusement avant d'être servie pour éviter les brûlures.
- Lors du réchauffement d'aliments emballés précuits, suivez toujours attentivement les instructions sur l'emballage.
- Si vous faites congeler des aliments achetés frais ou réfrigérés, n'oubliez pas qu'ils devraient être entièrement décongelés avant de suivre les instructions de chauffage sur le paquet. Cela vaut la peine de laisser une note sur ceux-ci pour que les autres membres de la maison s'en souviennent eux aussi.
- N'oubliez pas d'enlever les attaches avec fil métallique et de transférer les aliments des contenants en aluminium avant de la réchauffer.
- Les aliments réfrigérés sont plus longs à réchauffer que ceux à la température de la pièce (comme les aliments à peine froids ou rangés dans une armoire).
- Tous les aliments devraient être réchauffés à la pleine puissance du micro-ondes.

Tableau pour réchauffer

Article	Quantité	Temps de réchauffement	Instructions spéciales
Aliments pour bébés	4,5 oz	20 sec.	Vider dans un petit bol de service. Bien brasser une ou deux fois durant le réchauffement. Avant de servir, vérifier soigneusement la température.
Lait pour bébés	100 ml / 4 fl oz	20 - 30 sec.	Bien mélanger ou brasser et verser dans une bouteille stérilisée. Avant de servir, bien brasser et vérifier avec soin la température.
	225 ml / 8 fl oz	40 - 50 sec.	
Rouleau ou pain sandwich	1 rouleau	20 - 30 sec.	Envelopper dans une serviette de papier et placer sur un plateau de verre allant au micro-ondes. Remarque : N'utilisez pas des serviettes de papier ordinaire.
Lasagne	1 portion (10,5 oz / 300 g)	4 - 6 min.	Placer la lasagne sur une plaque allant au micro-ondes. Recouvrir avec une pellicule plastique percée.
Ragoût	1 tasse	1 1/2 - 3 min.	Cuire recouvert, dans une casserole convenant aux micro-ondes. Mélanger une fois à mi-chemin du temps de cuisson.
	4 tasses	5 - 7 min.	

10 INSTRUCTIONS POUR LA CUISSON

Tableau pour réchauffer

Article	Quantité	Temps de réchauffement	Instructions spéciales
Patates en purée	1 tasse	2 - 3 min.	Cuire recouvert, dans une casserole convenant aux micro-ondes. Mélanger une fois à mi-chemin du temps de cuisson.
	4 tasses	6 - 8 min.	
Fèves au lard	1 tasse	2 - 3 min.	Cuire recouvert, dans une casserole convenant aux micro-ondes. Mélanger une fois à mi-chemin du temps de cuisson.
Ravioli ou pâtes en sauce	1 tasse	2 - 3 min.	Cuire recouvert, dans une casserole convenant aux micro-ondes. Mélanger une fois à mi-chemin du temps de cuisson.
	4 tasses	6 - 9 min.	

Légumes

Utilisez un bol en pyrex adéquat avec couvercle. Ajoutez de 30 à 45 ml (2 à 3 c. à table) pour chaque part de 250 g, à moins qu'une quantité d'eau différente soit recommandée - voir le tableau. Cuire couvert pour la durée minimale - voir le tableau.

Poursuivre la cuisson pour arriver au résultat recherché. Mélanger une fois pendant et une fois après la cuisson. Ajouter le sel, les herbes et le beurre après la cuisson. Couvrir pendant un temps de repos de 3 minutes.

Conseil : coupez les légumes frais en morceaux de grosseurs égales. Plus ils sont coupés petits, plus rapidement ils vont cuire. Tous les légumes devraient être cuits à la pleine puissance du micro-ondes.

Tableau pour les légumes

Légumes	Poids	Temps	Commentaires
Brocoli	0,5 lb / 250 g	3 - 5 min.	Préparer en bouquets de tailles similaires. Disposer les tiges vers le centre.
	1 lb / 500 g	6 - 8 min.	
Choux de Bruxelles	0,5 lb / 250 g	3 - 5 min.	Ajouter 60 à 76 ml (4 - 5 c. à table) d'eau.
Carottes	0,5 lb / 250 g	3 - 5 min.	Couper les carottes en tranches de taille égale.
Choux-fleurs	0,5 lb / 250 g	3 - 5 min.	Préparer en bouquets de tailles similaires. Couper les gros bouquets en moitiés. Disposer les tiges vers le centre.
	1 lb / 500 g	6 - 8 min.	

10 INSTRUCTIONS POUR LA CUISSON

Tableau pour les légumes

Légumes	Poids	Temps	Commentaires
Courgettes	0,5 lb / 250 g	3 - 4 min.	Couper les courgettes en tranches. Ajouter 30 ml (2 c. à table) d'eau ou une noix de beurre. Cuire jusqu'à tendre.
Aubergines	0,5 lb / 250 g	3 - 4 min.	Couper l'aubergine en tranches minces et asperger avec 1 c. à table de jus de citron.
Poireaux	0,5 lb / 250 g	3 - 4 min.	Couper les poireaux en tranches épaisses.
Champignons	0.3 lb / 125 g	2 - 3 min.	Préparer des champignons petits ou tranchés. N'ajoutez pas d'eau. Asperger avec du jus de citron. Saler et poivrer. Égoutter avant de servir.
	0,5 lb / 250 g	3 - 4 min.	
Oignons	0,5 lb / 250 g	2 - 3 min.	Couper les oignons en tranches ou en moitiés. N'ajouter que 15 ml (1 c. à table) d'eau.
Poivrons	0,5 lb / 250 g	2 - 4 min.	Couper les poivrons en tranches minces.
Pommes de terre	0,5 lb / 250 g	4 - 5 min.	Évaluer les patates pelées et coupez-les en moitiés ou quarts de dimensions équivalentes.
	1 lb / 500 g	6 - 8 min.	
Navet	0,5 lb / 250 g	4 - 6 min.	Couper les navets en petits cubes.

Tableau pour légumes congelés

Légumes	Poids	Temps	Commentaires
Épinards	0.3 lb / 125 g	2 - 3 min.	Ajouter 15 ml (1 c. à table) d'eau froide.
Brocoli	0,5 lb / 250 g	4 - 5 min.	Ajouter 30 ml (2 c. à table) d'eau froide.
Pois verts	0,5 lb / 250 g	4 - 5 min.	Ajouter 15 ml (1 c. à table) d'eau froide.
Fèves vertes	0,5 lb / 250 g	4 - 5 1/2 min.	Ajouter 30 ml (2 c. à table) d'eau froide.
Légumes mélangés (carottes/pois/maïs)	0,5 lb / 250 g	4 - 5 min.	Ajouter 15 ml (1 c. à table) d'eau froide.
Légumes mélangés (style chinois)	0,5 lb / 250 g	4 - 6 min.	Ajouter 15 ml (1 c. à table) d'eau froide.

Blomberg[®]
seit 1883

www.blomberginternational.com

info@blomberginternational.com