



INSTALLATION MANUAL

KAPPA 53XF

KAPPA 63XF

KAPPA 203S

KAPPA 303S

KAPPA 463XF

KAPPA 503CF

KAPPA 603CF

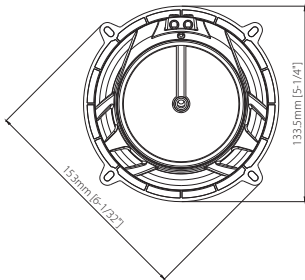
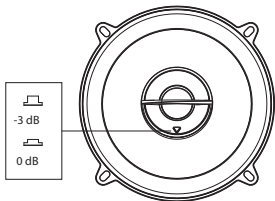
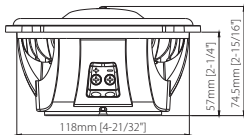
KAPPA 683XF

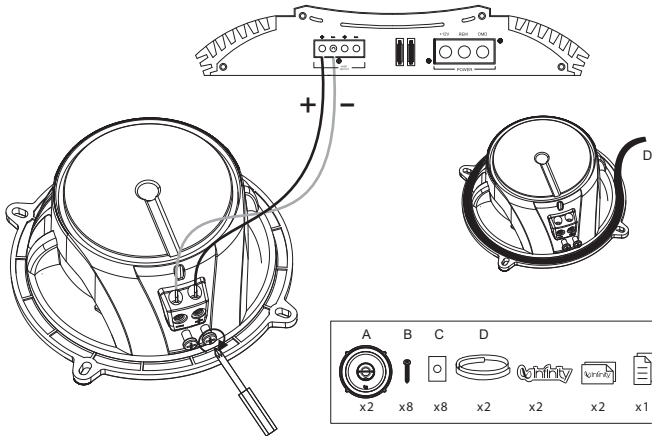
KAPPA 693C

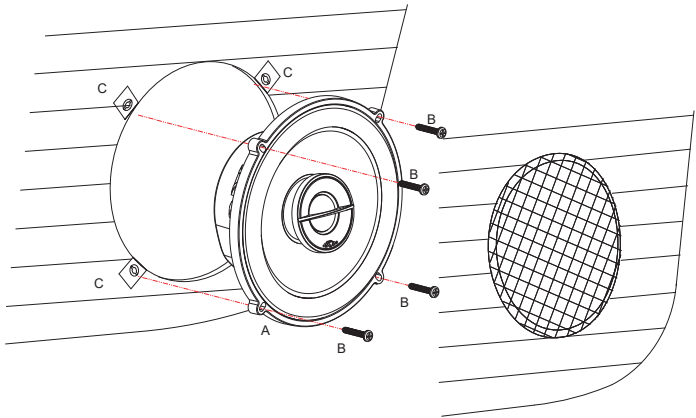
KAPPA 693M

KAPPA 753T

KAPPA 53XF







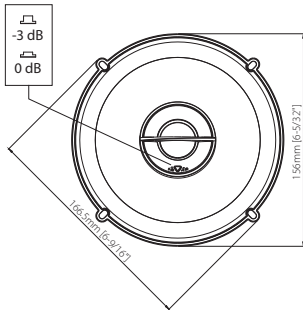
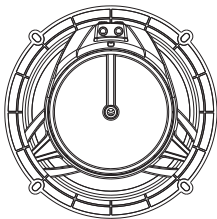
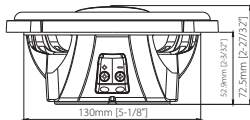
Specifications

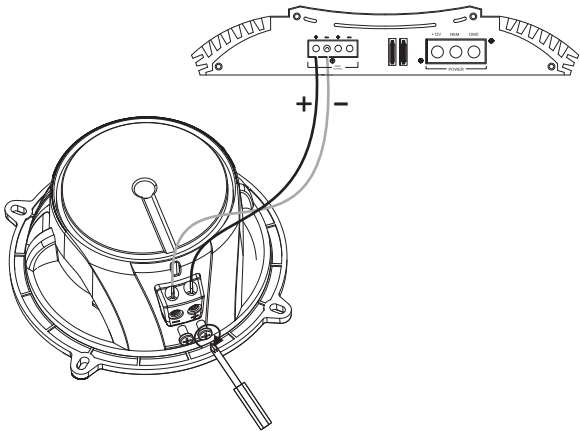
- Type: 5-1/4" (133 mm) Two-Way Car Speaker
- Power Handling: 60 Wrms, 180 W peak
- Sensitivity (@ 2.83 V): 93 dB
- Frequency Response: 55 Hz – 40 kHz
- Impedance: 3.0 ohms

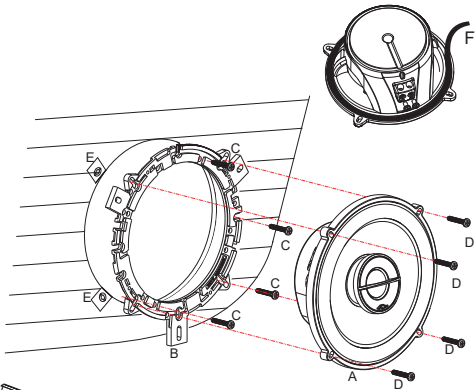
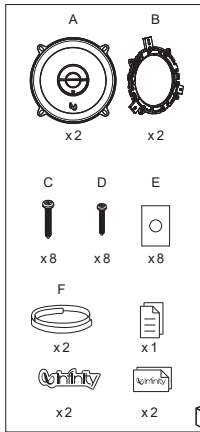
Thiele-Small Parameters

- BL (Tm): 3.89
- DCR (ohms): 2.70
- Mms (g): 10.01
- Sd (cm²): 102.07
- Cms (mm/N): 0.41
- Vas (l): 6.01
- Fs (Hz): 78.80
- Qes: 0.89
- Qms: 6.89
- Qts: 0.79
- Crossover Point: 4.6 kHz

KAPPA 63XF







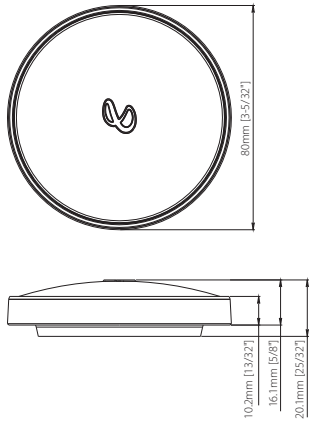
Specifications

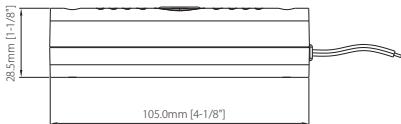
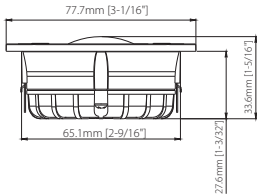
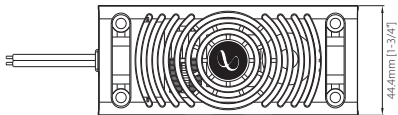
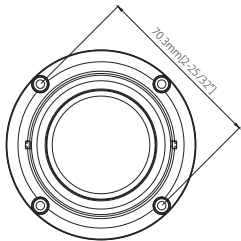
- Type: 6-1/2" (165 mm) Two-way Car Speaker
- Power Handling: 85 Wrms, 255 W peak
- Sensitivity (@ 2.83 V): 93 dB
- Frequency Response: 45 Hz – 40 kHz
- Impedance: 3.0 ohms

Thiele-Small Parameters

- BL (Tm): 4.30
- DCR (ohms): 2.70
- Mms (g): 14.63
- Sd (cm²): 143.14
- Cms (mm/N): 0.24
- Vas (l): 7.00
- Fs (Hz): 84.70
- Qes: 1.21
- Qms: 10.35
- Qts: 1.08
- Crossover Point: 4.6 kHz

KAPPA 203S





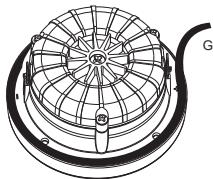
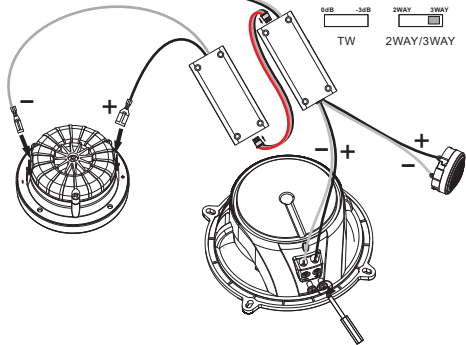


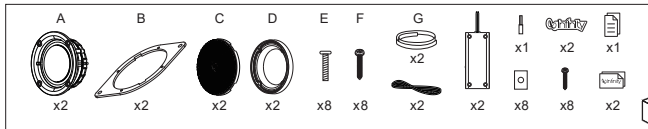
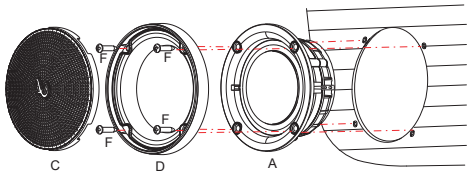
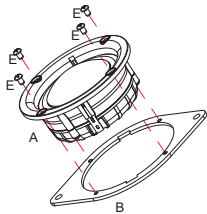
0dB -3dB

2WAY 3WAY

TW

2WAY/3WAY





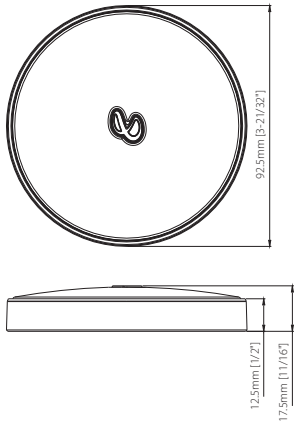
Specifications

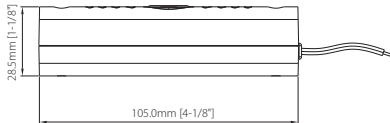
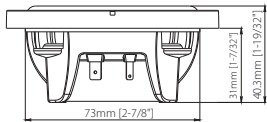
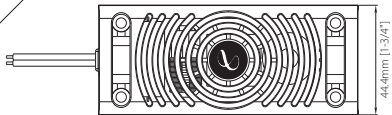
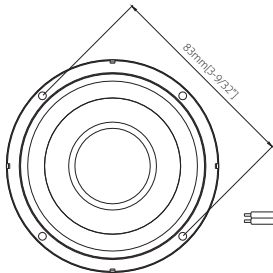
- Type: 2" (50 mm) Silk Dome Midrange with Bandpass Crossover Enclosure
- Power Handling: 50 Wrms, 150 W peak
- Sensitivity (@ 2.83 V): 94 dB
- Frequency Response: 500 Hz – 7 kHz
- Impedance: 3.0 ohms

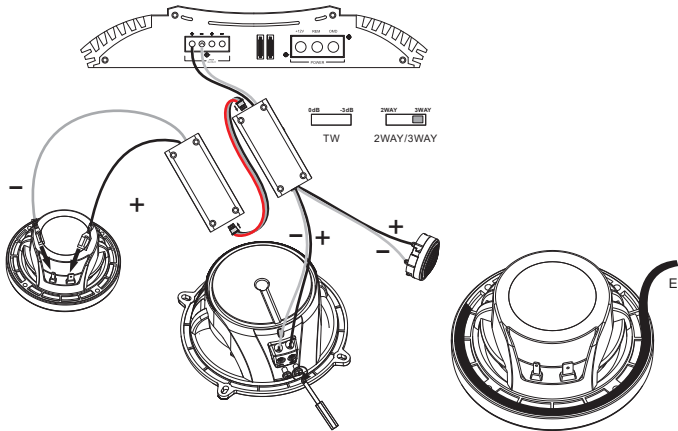
Thiele-Small Parameters

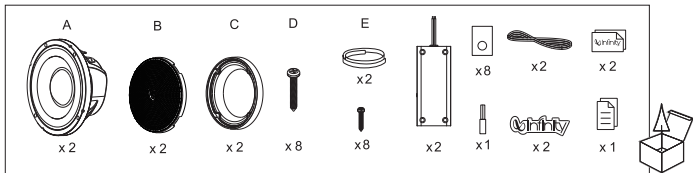
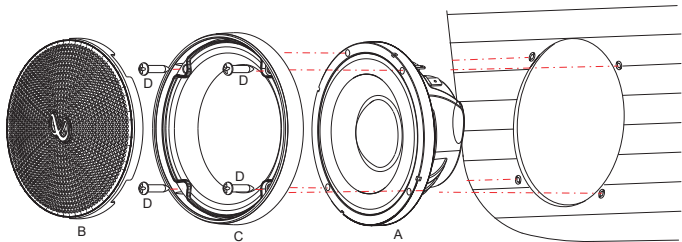
- Crossover Point: 600 Hz

KAPPA 303S









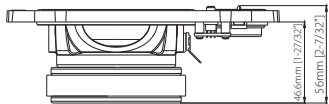
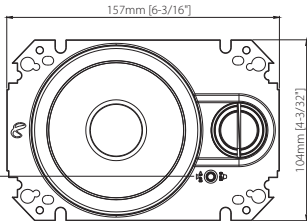
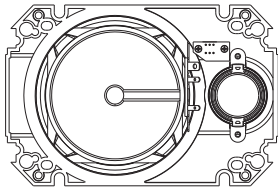
Specifications

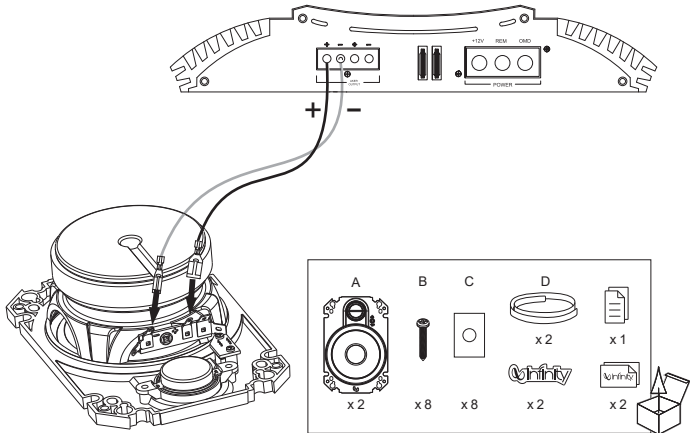
- Type: 3" (89 mm) Midrange with Bandpass Crossover Enclosure
- Power Handling: 55 Wrms, 165 W peak
- Sensitivity (@ 2.83 V): 93 dB
- Frequency Response: 200 Hz – 15 kHz
- Impedance: 3.0 ohms

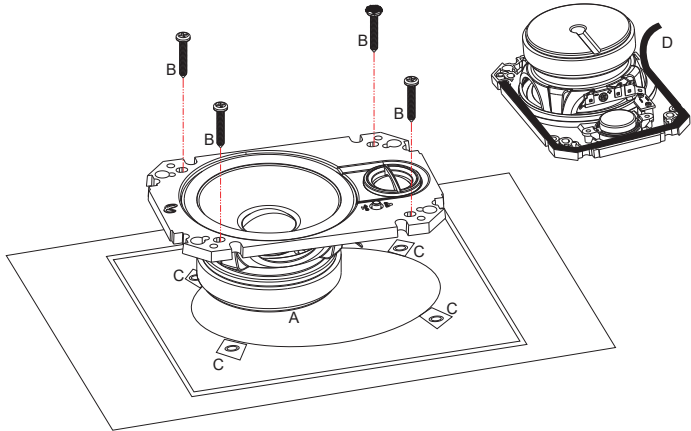
Thiele-Small Parameters

- BL (Tm): 5.64
- DCR (ohms): 2.7
- Mms (g): 4.964
- Sd (cm²): 35.26
- Cms (mm/N): 0.113
- Vas (l): 0.198
- Fs (Hz): 212.9
- Qes: 0.58
- Qms: 12.282
- Qts: 0.554
- Crossover Point: 300 Hz

KAPPA 463XF







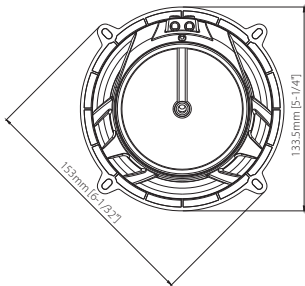
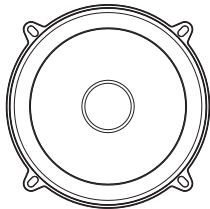
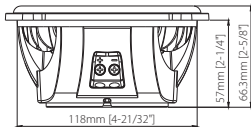
Specifications

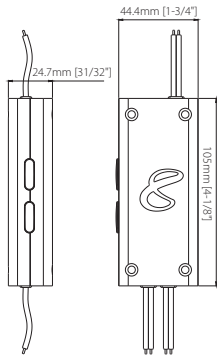
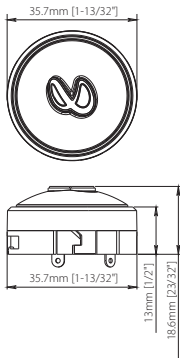
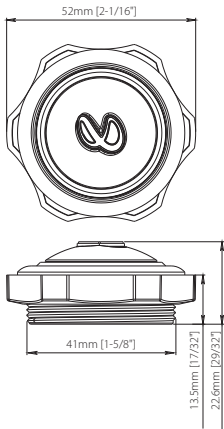
- Type: 4" x 6" (104 mm x 157 mm)
Two-way Car Speaker
- Power Handling: 60 Wrms, 180 W peak
- Sensitivity (@ 2.83 V): 93 dB
- Frequency Response: 75 Hz – 40 kHz
- Impedance: 3.0 ohms

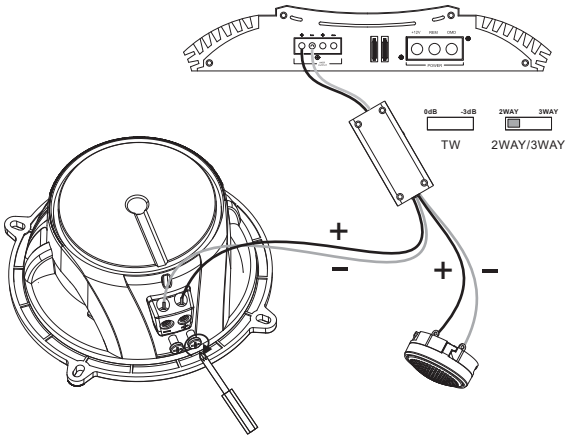
Thiele-Small Parameters

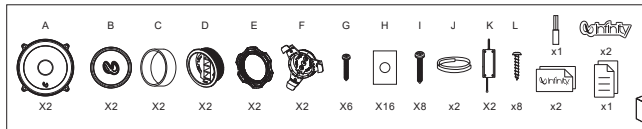
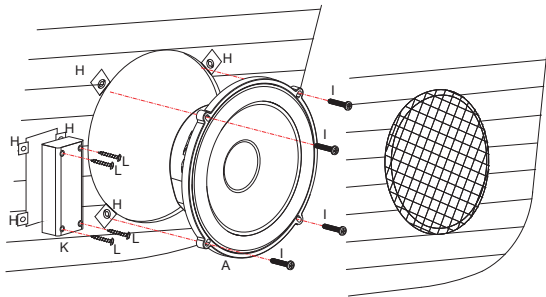
- BL (Tm): 3.52
- DCR (ohms): 2.70
- Mms (g): 5.93
- Sd (cm²): 60.82
- Cms (mm/N): 0.39
- Vas (l): 2.05
- Fs (Hz): 104.50
- Qes: 0.91
- Qms: 9.00
- Qts: 0.82
- Crossover Point: 5.1 kHz

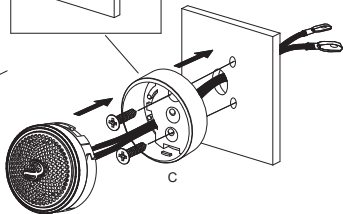
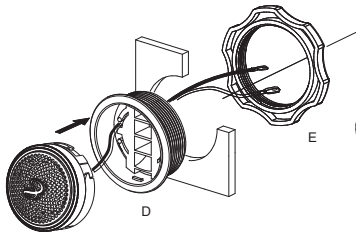
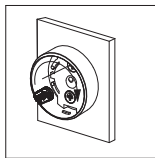
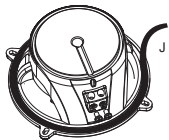
KAPPA 503CF

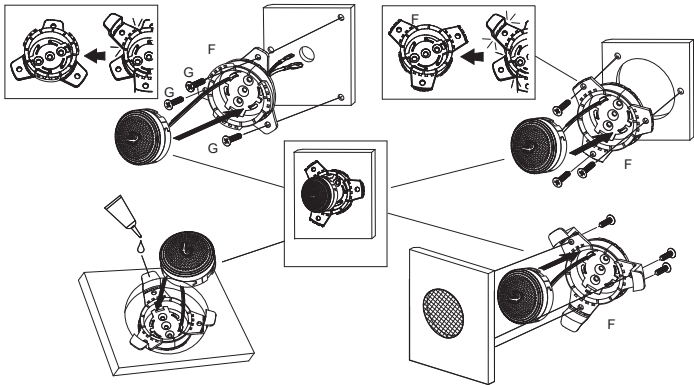












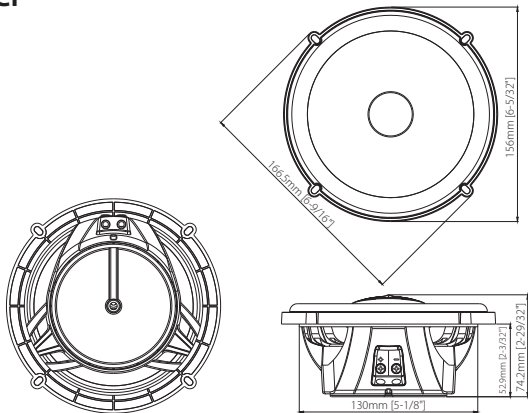
Specifications

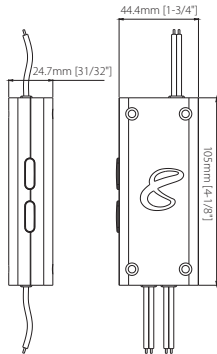
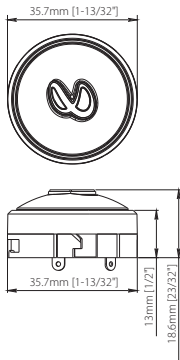
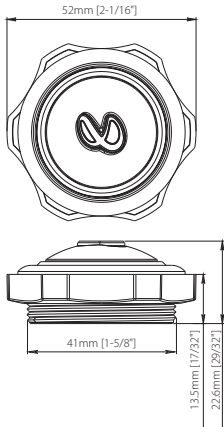
- Type: 5-1/4" (133 mm) Two-Way Component Speaker System
- Power Handling: 80 Wrms, 240 W peak
- Sensitivity (@ 2.83 V): 93 dB
- Frequency Response: 55 Hz – 40 kHz
- Impedance: 3.0 ohms

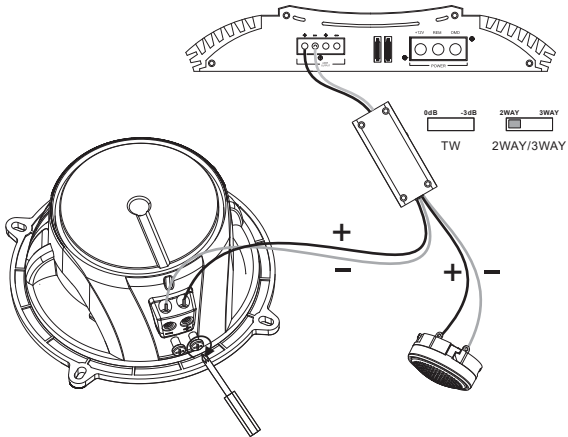
Thiele-Small Parameters

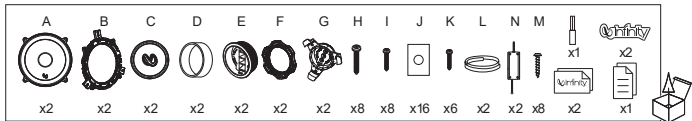
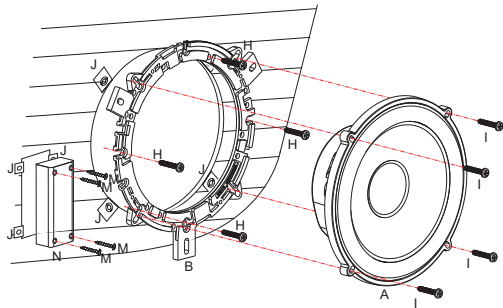
- BL (Tm): 3.87
- DCR (ohms): 2.70
- Mms (g): 11.34
- Sd (cm²): 102.07
- Cms (mm/N): 0.38
- Vas (l): 5.60
- Fs (Hz): 76.70
- Qes: 0.98
- Qms: 7.40
- Qts: 0.86
- Crossover Point: 4 kHz

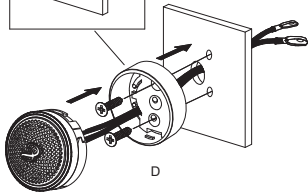
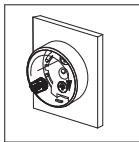
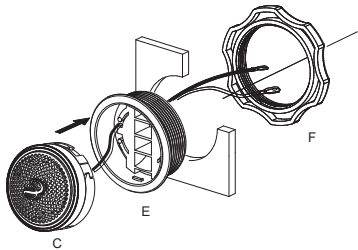
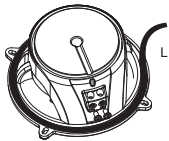
KAPPA 603CF

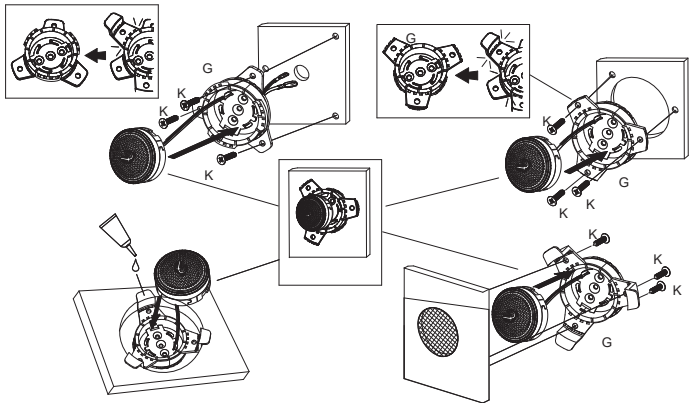












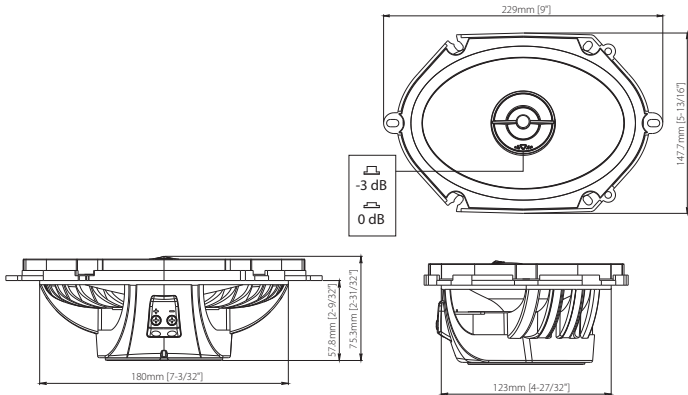
Specifications

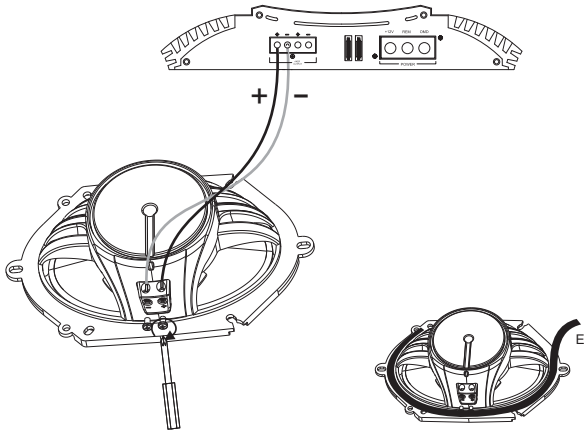
- Type: 6-1/2" (165 mm) Two-way Component Speaker System
- Power Handling: 110 Wrms, 330 W peak
- Sensitivity (@ 2.83 V): 93 dB
- Frequency Response: 45 Hz – 40 kHz
- Impedance: 3.0 ohms

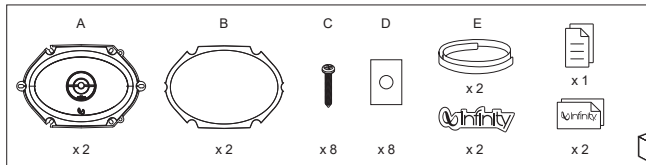
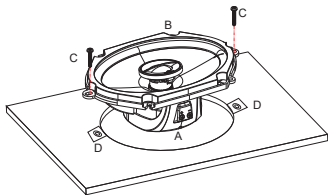
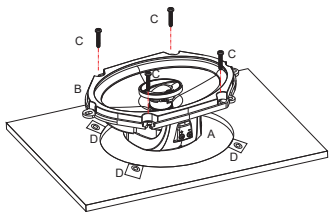
Thiele-Small Parameters

- BL (Tm): 4.45
- DCR (ohms): 2.70
- Mms (g): 15.35
- Sd (cm²): 143.14
- Cms (mm/N): 0.24
- Vas (l): 7.03
- Fs (Hz): 82.50
- Qes: 1.10
- Qms: 9.44
- Qts: 0.98
- Crossover Point: 4.6 kHz

KAPPA 683XF







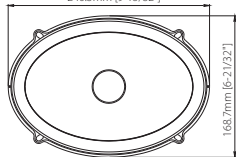
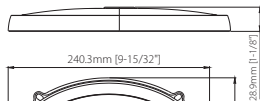
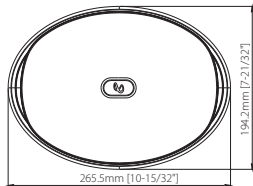
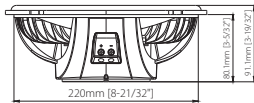
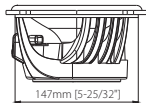
Specifications

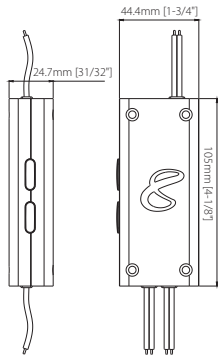
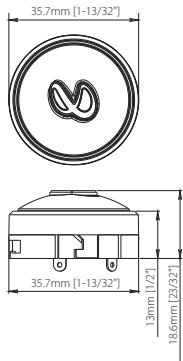
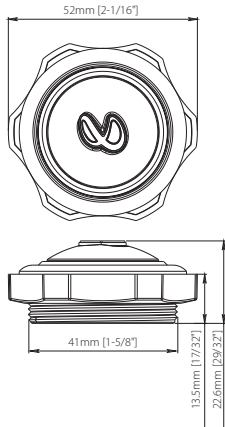
- Type: 6" x 8" (147 mm x 205 mm)
Two-way Car Speaker
- Power Handling: 100 Wrms, 300 W peak
- Sensitivity (@ 2.83 V): 93 dB
- Frequency Response: 40 Hz – 40 kHz
- Impedance: 3.0 ohms

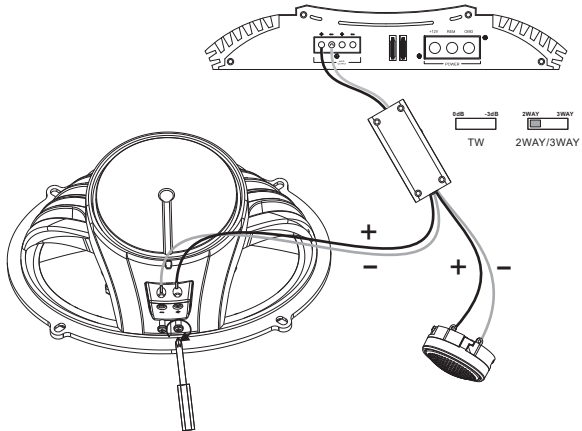
Thiele-Small Parameters

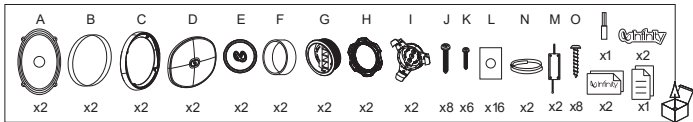
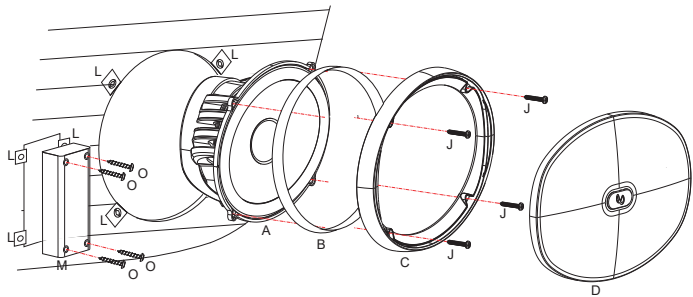
- BL (Tm): 4.89
- DCR (ohms): 2.70
- Mms (g): 18.01
- Sd (cm²): 167.42
- Cms (mm/N): 0.23
- Vas (l): 8.99
- Fs (Hz): 78.80
- Qes: 1.04
- Qms: 8.97
- Qts: 0.93
- Crossover Point: 4.1 kHz

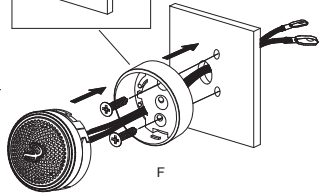
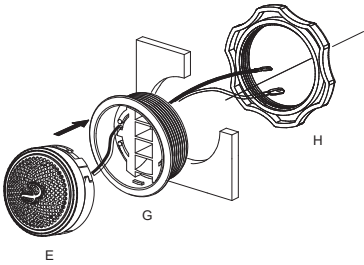
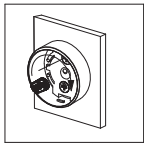
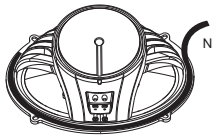
KAPPA 693C

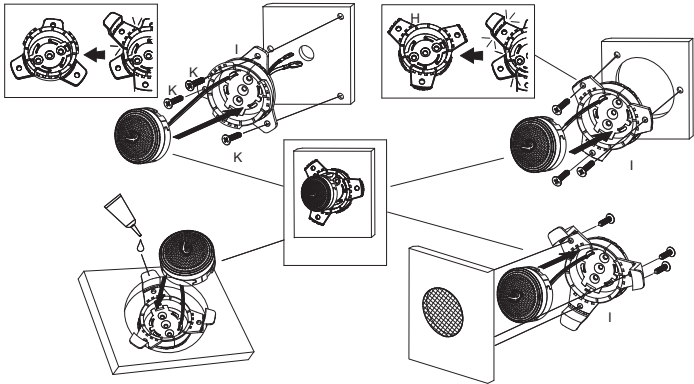












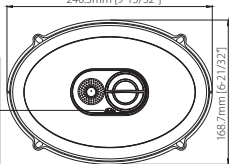
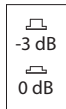
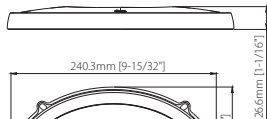
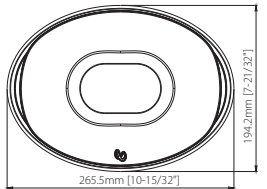
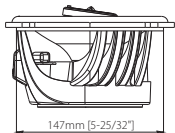
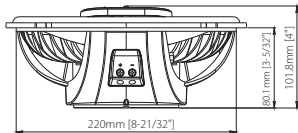
Specifications

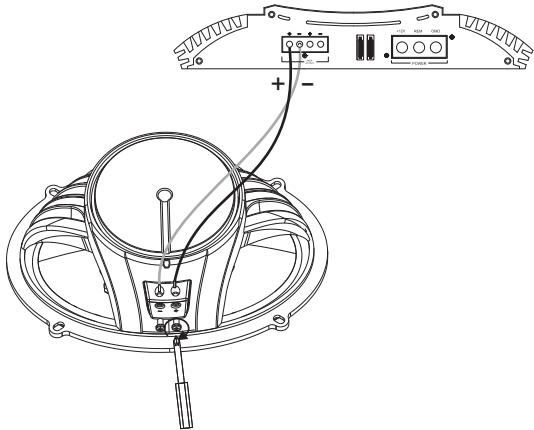
- Type: 6" x 9" (168 mm x 240 mm)
Two-way Component Speaker System
- Power Handling: 145 Wrms, 435 W peak
- Sensitivity (@ 2.83 V): 94 dB
- Frequency Response: 35 Hz – 40 kHz
- Impedance: 3.0 ohms

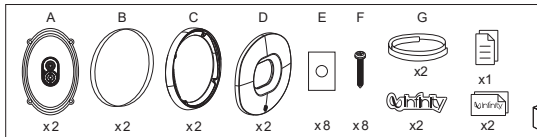
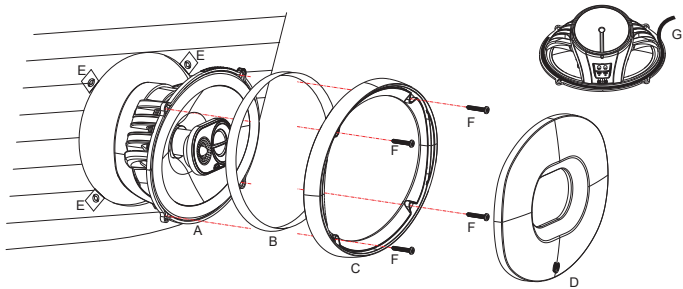
Thiele-Small Parameters

- BL (Tm): 6.118
- DCR (ohms): 2.70
- Mms (g): 27.65
- Sd (cm²): 248.85
- Cms (mm/N): 0.289
- Vas (l): 25.3103
- Fs (Hz): 56.3
- Qes: 0.723
- Qms: 8.847
- Qts: 0.668
- Crossover Point: 3.9 kHz

KAPPA 693M







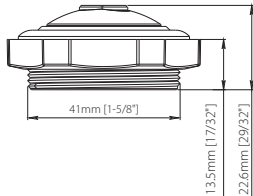
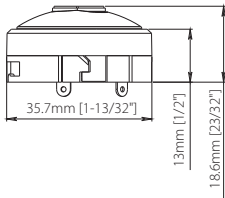
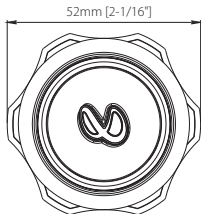
Specifications

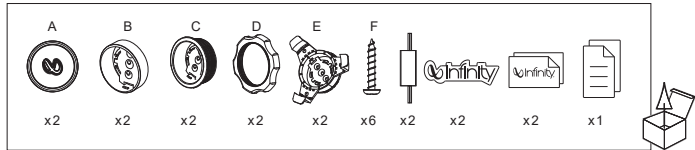
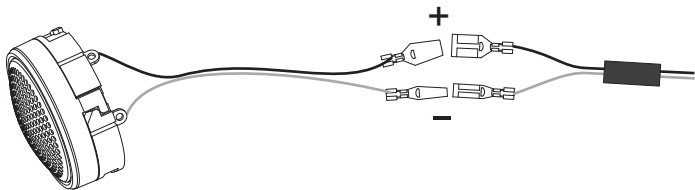
- Type: 6"x 9" (168 mm x 240 mm)
Three-way Car Speaker
- Power Handling: 120 Wrms, 360 W peak
- Sensitivity (@ 2.83 V): 94 dB
- Frequency Response: 35 Hz – 40 kHz
- Impedance: 3.0 ohms

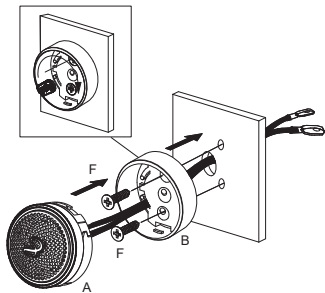
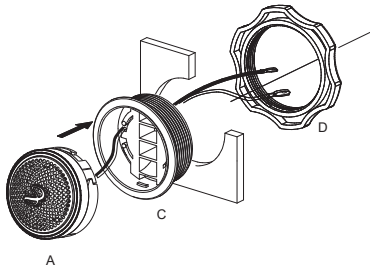
Thiele-Small Parameters

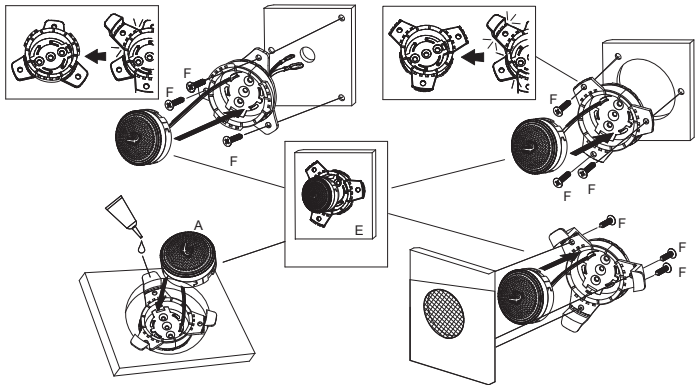
- BL (Tm): 6.499
- DCR (ohms): 2.70
- Mms (g): 28.517
- Sd (cm²): 248.85
- Cms (mm/N): 0.254
- Vas (l): 22.2257
- Fs (Hz): 59.2
- Qes: 0.739
- Qms: 9.016
- Qts: 0.683
- Crossover Point: 3.9 kHz

KAPPA 753T









Specifications

- Type: 3/4" (19 mm) Edge-Driven Silk Dome Tweeter
- Power Handling: 50 Wrms, 150 W peak
- Sensitivity (@ 2.83 V): 93 dB
- Frequency Response: 2 kHz – 40 kHz
- Impedance: 3.0 ohms

Thiele-Small Parameters

- Crossover Point: 4.6 kHz



HARMAN International
Industries, Incorporated
8500 Balboa Boulevard,
Northridge, CA 91329 USA
© 2021 HARMAN International
Industries, Incorporated.
All rights reserved.

Infinity is a trademark of HARMAN International Industries, Incorporated, registered in the United States and/or other countries. Features, specifications and appearance are subject to change without notice.