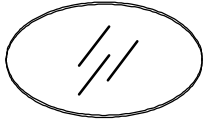
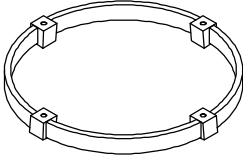
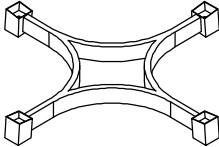

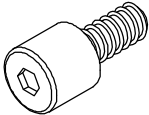


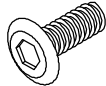

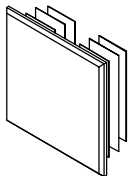
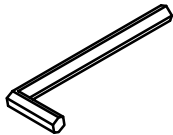


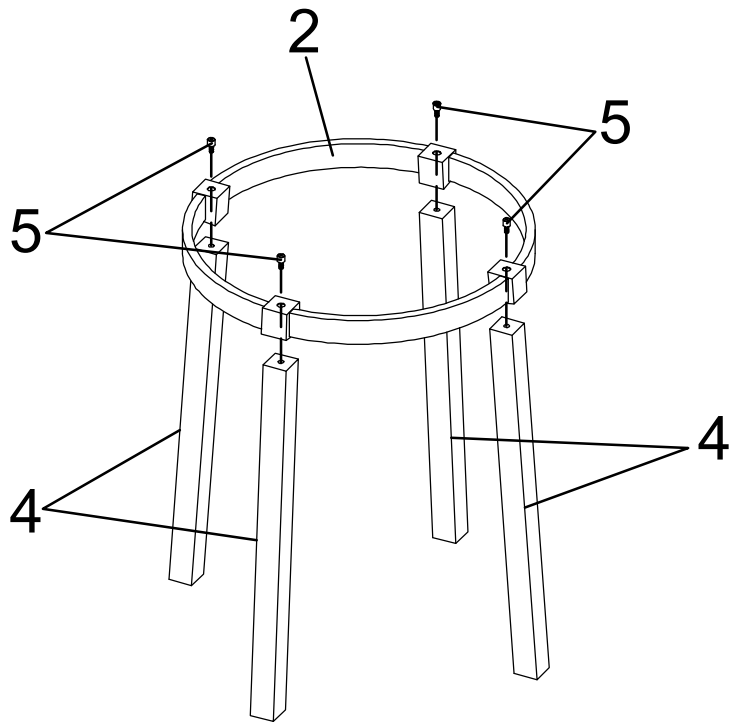
# ASSEMBLY INSTRUCTIONS

## Item #: CLC100ET

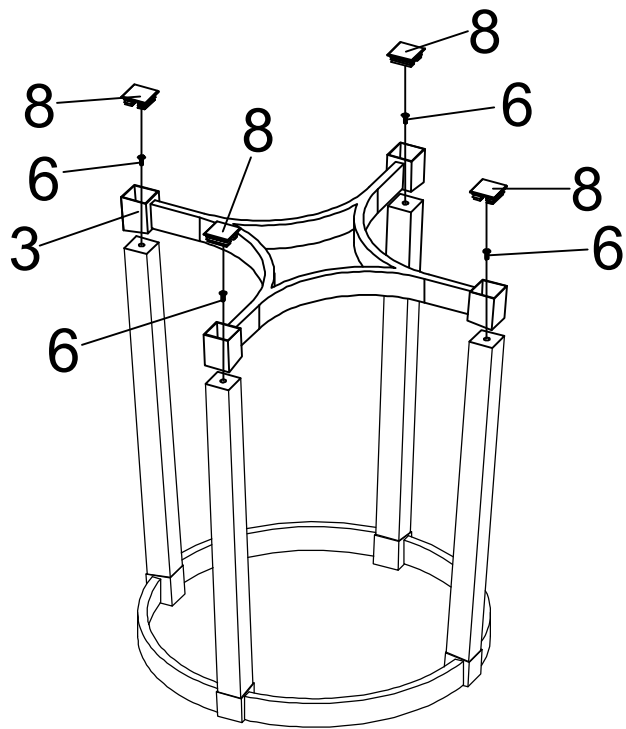
Please identify and locate all assembly parts (see parts list) before discarding any packing materials.  
Some parts may have become loose during transit.

PARTS LIST			
NO.	SKETCH	DESCRIPTION	QYT
1		GLASS TOP	1PC
2		TOP FRAME	1PC
3		BOTTOM FRAME	1PC
4		TABL R LEG	4PCS
5		HEX CAP HEAD BOLT	4PCS

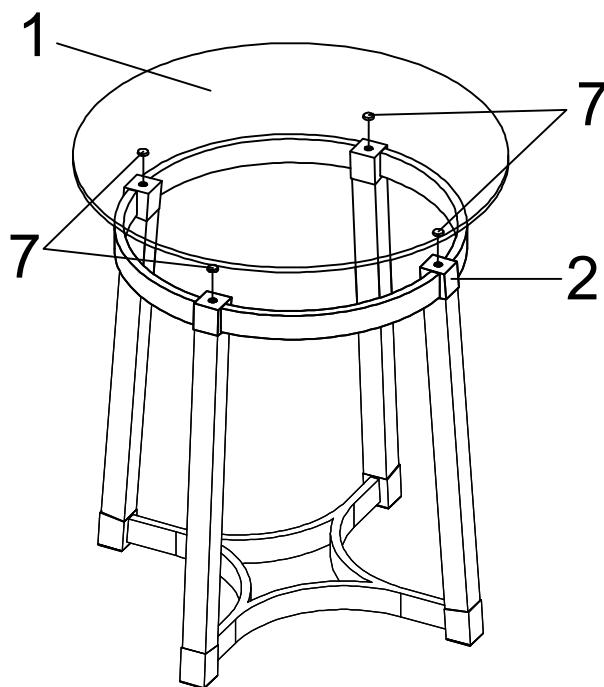
NO.	SKETCH	DESCRIPTION	QYT
6		BOLT	4PCS
7		SUCTION CUP	4PCS
8		CAP	4PCS
9		ALLEN KEY	1PC



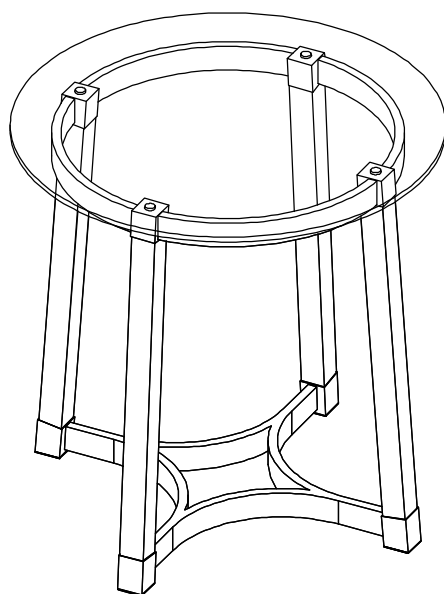
Step 1: Attach Table Leg (4) to Top Frame (2) using Hex Cap Head Bolt (5).



Step 2: 1. Attach Bottom Frame(3) to the assemble in Step 1 using Bolt (6). 2. Insert Cap (8) into Bottom Frame(3).



Step 3: 1.Insert Suction Cup (7) into Top Frame(2).  
2.Place the Glass Top (1) onto the Suction Cup (7).



Complete. Congratulations on your assemble success.